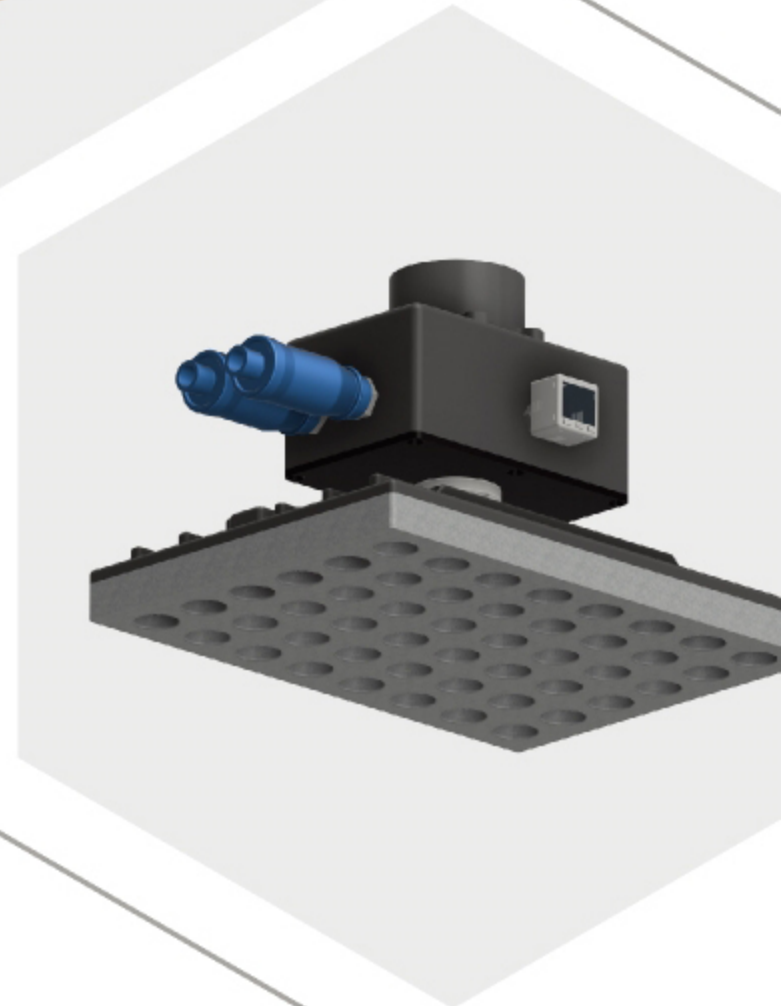
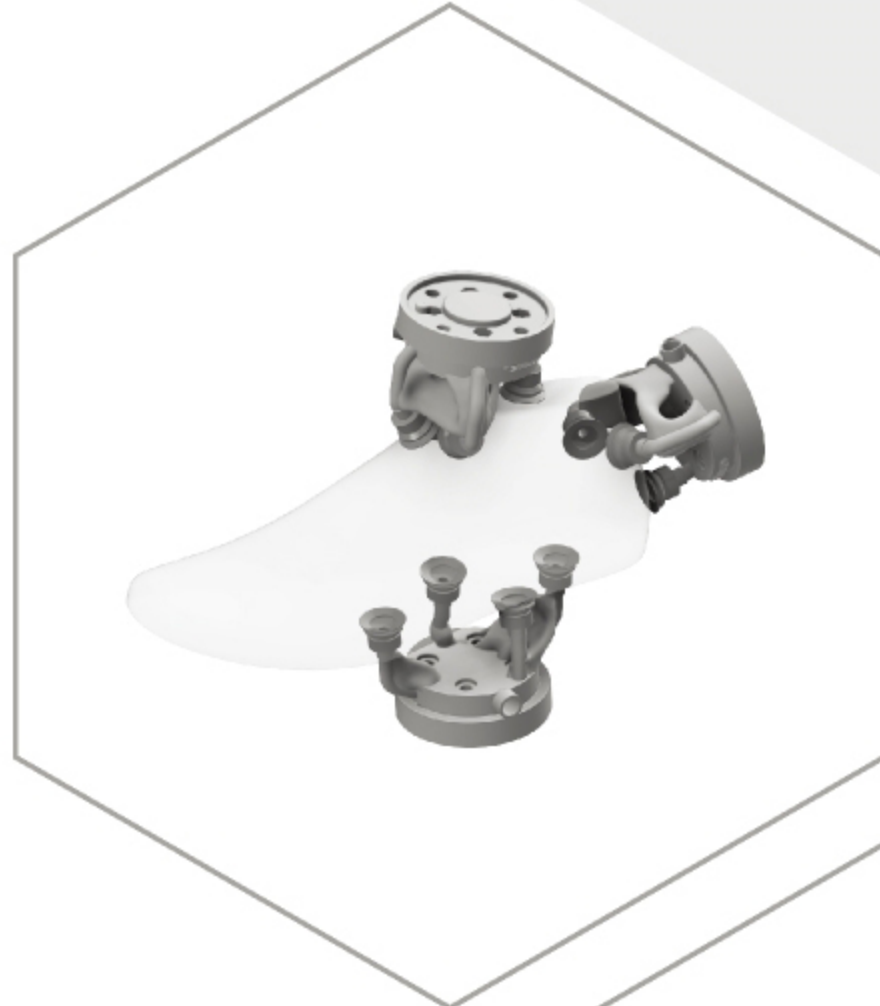
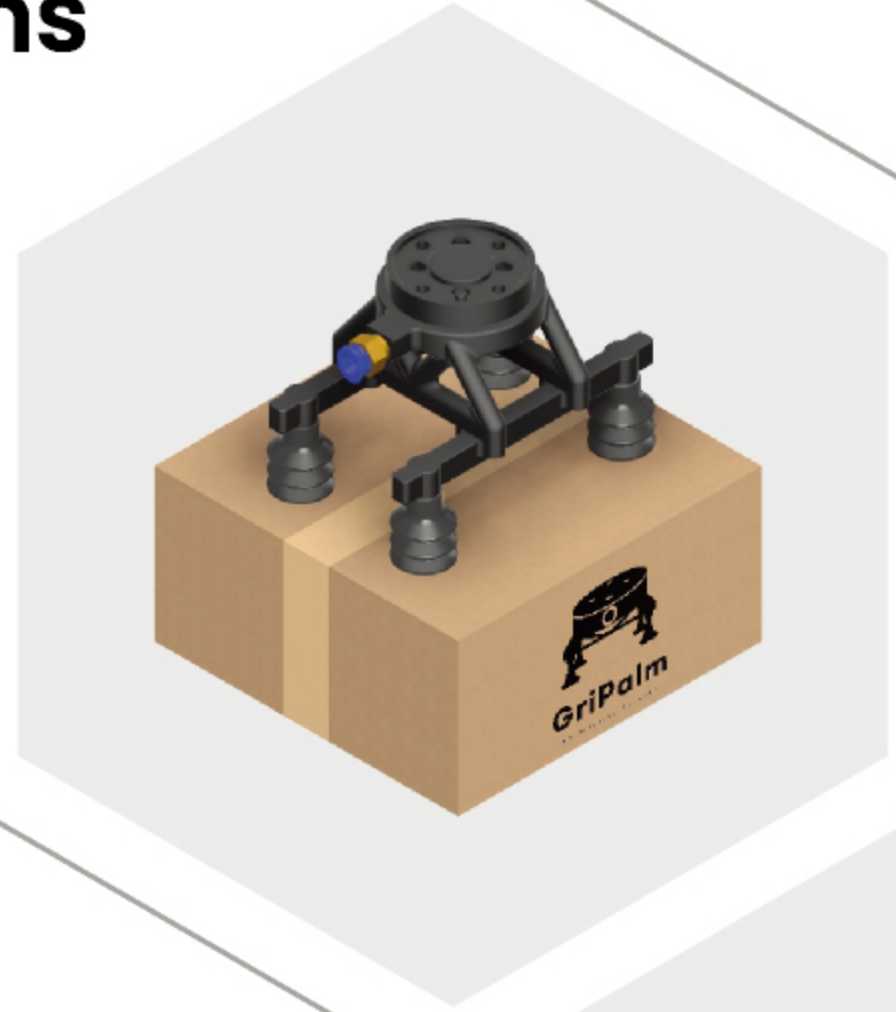
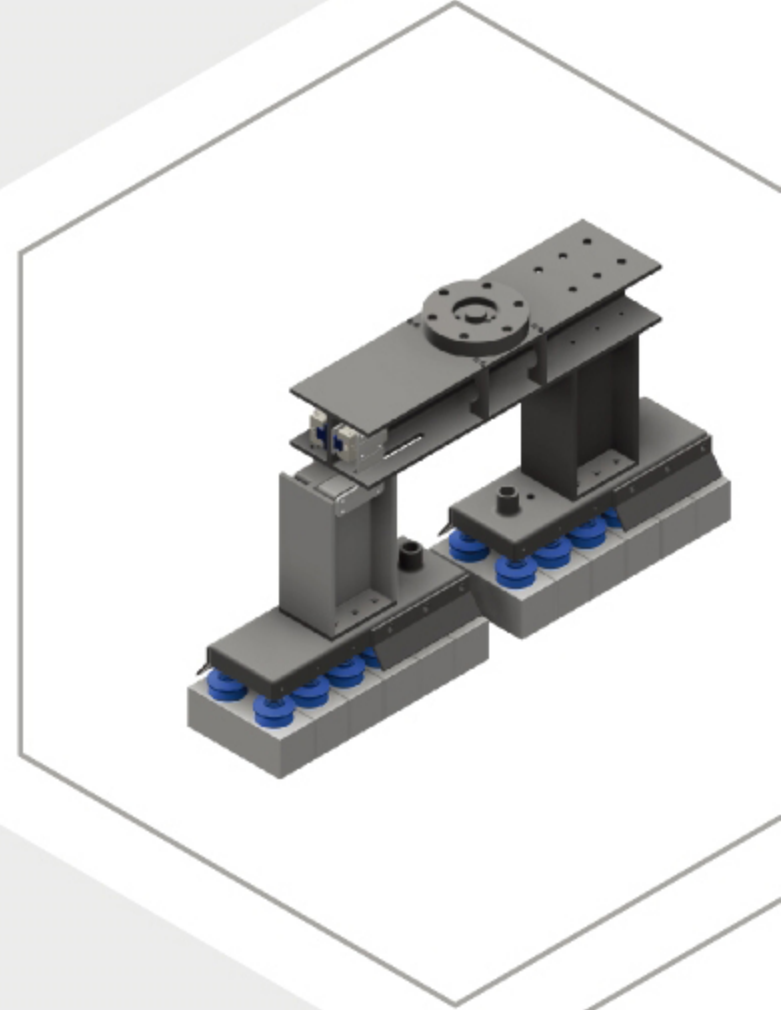


# GriPalm

Custom Robotic Gripper Solutions

Your Lighter & Stronger Gripper



# GriPalm Solutions

## Custom Gripper Development & Component Optimization

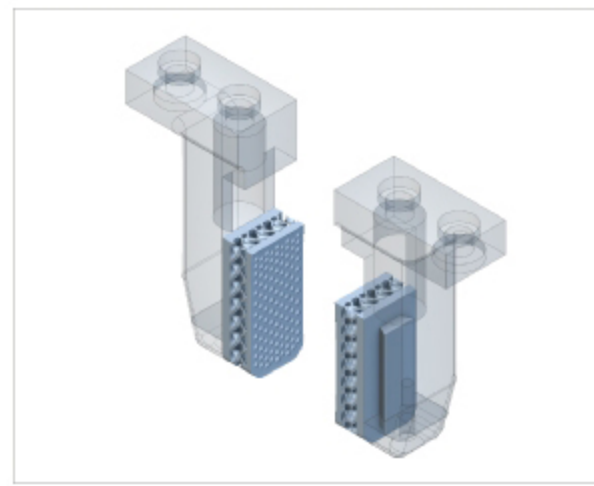
Custom grippers designed for your workpiece and robotic environment.



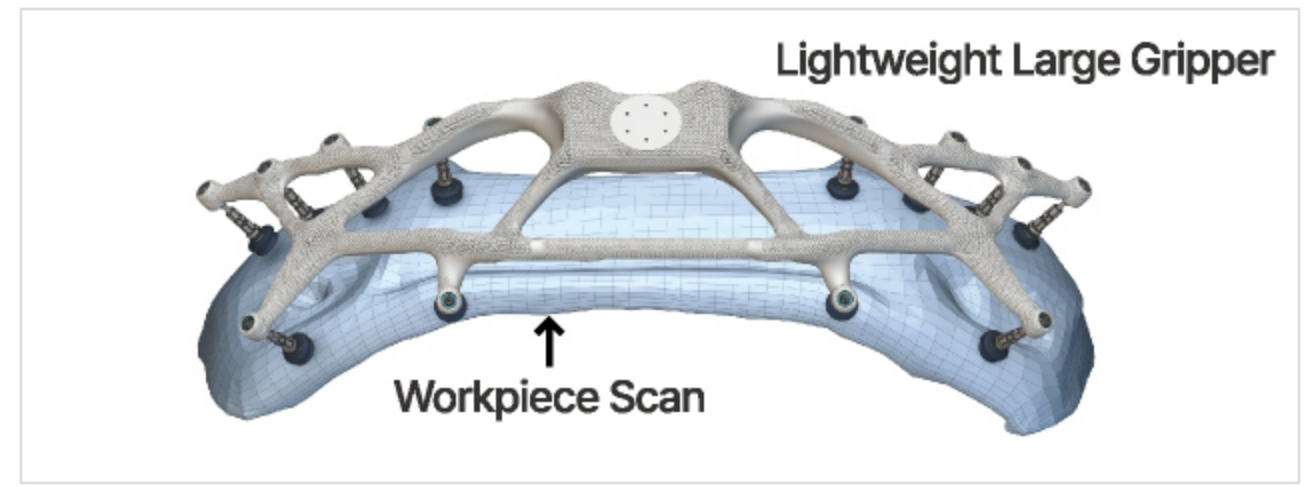
### [ Custom Design Examples ]



Vacuum Gripper



Lattice Structure Jaw



Custom Design & Topology Optimization

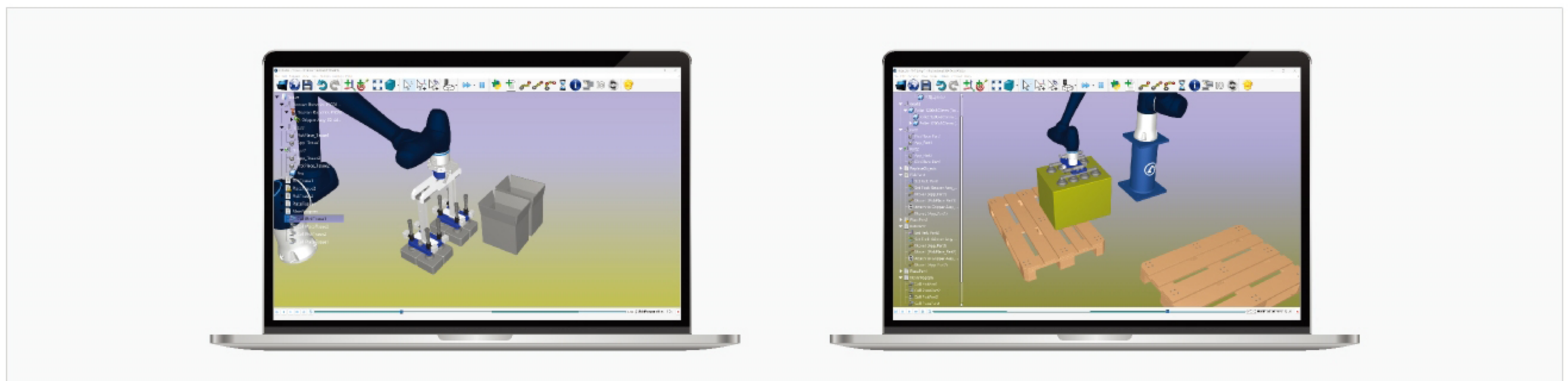
## Standard Grippers

Specifications can be modified according to customer requirements. Robot mounting flange and vacuum cups are supplied together.

Model	HG-2L6C-70N	HG-2L8C-70N	HG-3L15C-50N	HG-5L35C-50N
				
Suction Cups	6 / 70mm	8 / 70mm	15 / 50mm	35 / 50mm
Max Workpiece Size	350 x 300mm	480 x 380mm	350 x 300mm	480 x 380mm
Max Workpiece Weight	20kg	30kg	20kg	30kg
Gripper Weight	1.3g	2kg	1.5kg	3.5kg

## Motion Configuration

Customize robotic environments through simulation and 3D tools to verify robot motion and gripping operations.



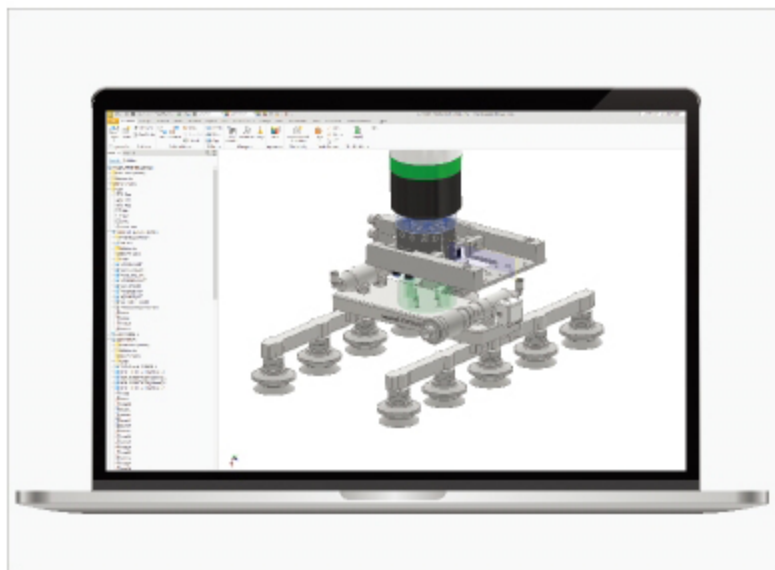
# GriPalm

**GriPalm designs and manufactures custom grippers optimized for robotic automation environments.**

Through customized design and performance optimization, we develop lightweight and durable gripper solutions by combining high-strength precision 3D printing and CNC machining technologies.

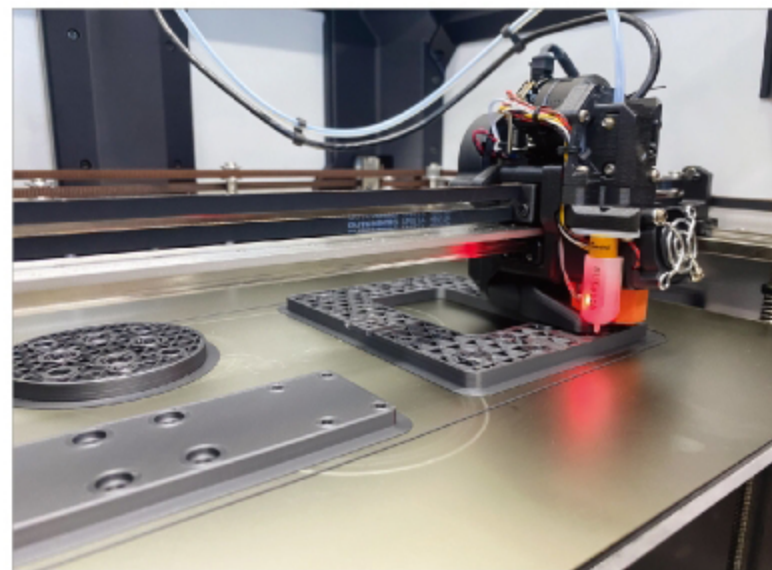
With extensive design experience and vacuum engineering know-how, we develop high-performance robotic components and provide reliable, efficient solutions.

## Core Technologies



### Lightweight Gripper Design

Custom EOAT  
Lightweight Design



### High-Strength Precision 3D Printing

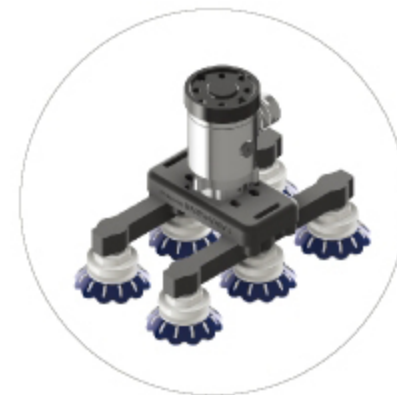
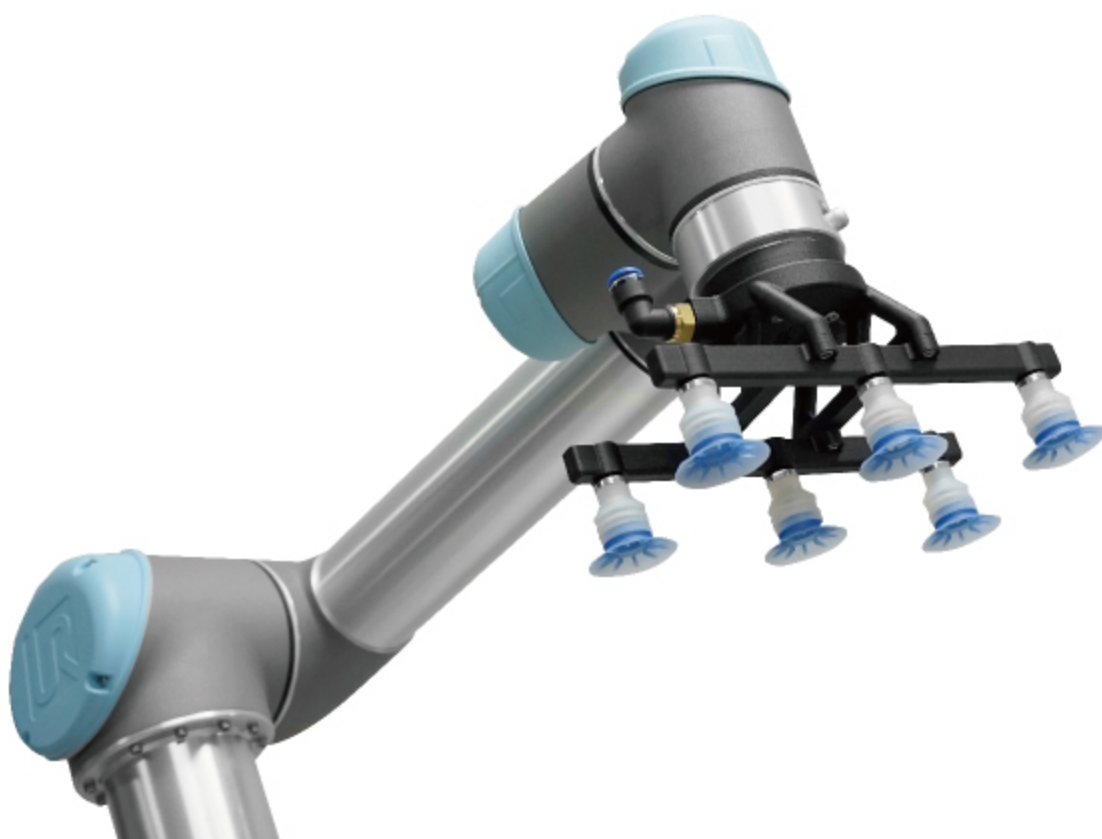
Composite Materials  
CNC Machining



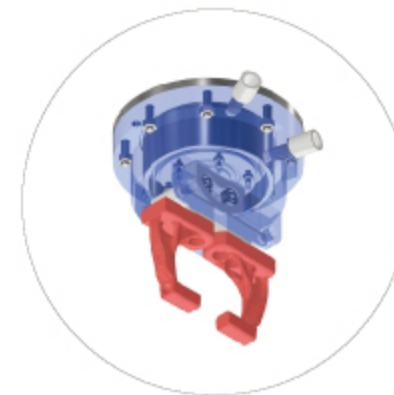
### Vacuum Technology Expertise

Vacuum & Grippers  
15+ Years Experience

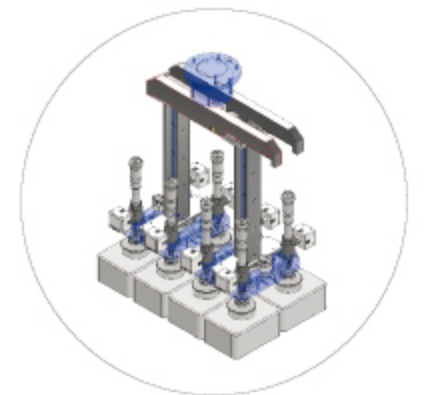
## Main Development & Service Areas



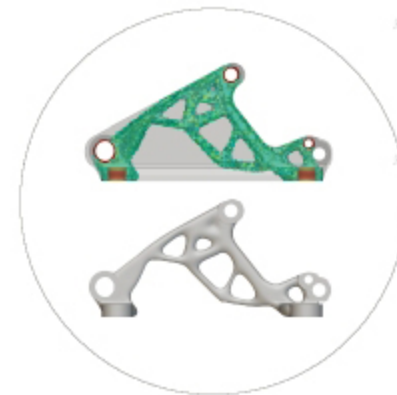
Vacuum Grippers



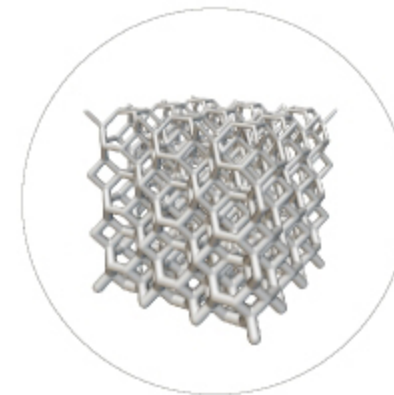
Picker Grippers / Tips



Fixture Design



Generative Design



Lattice Design



3D Printing

## Equipment

- Robots : 1 Collaborative Robot, 1 Ring blower
- 3D Printers : Total 7 machine (Industrial : 5 machine – Carbon Fiber and Composite)
- Design Software : Autodesk Inventor, Rhino, Grasshopper, nTop
- Analysis Software : Ansys Mechanical, Ansys Fluent · Robot Simulation : RoboDK and More

# GriPalm Applications

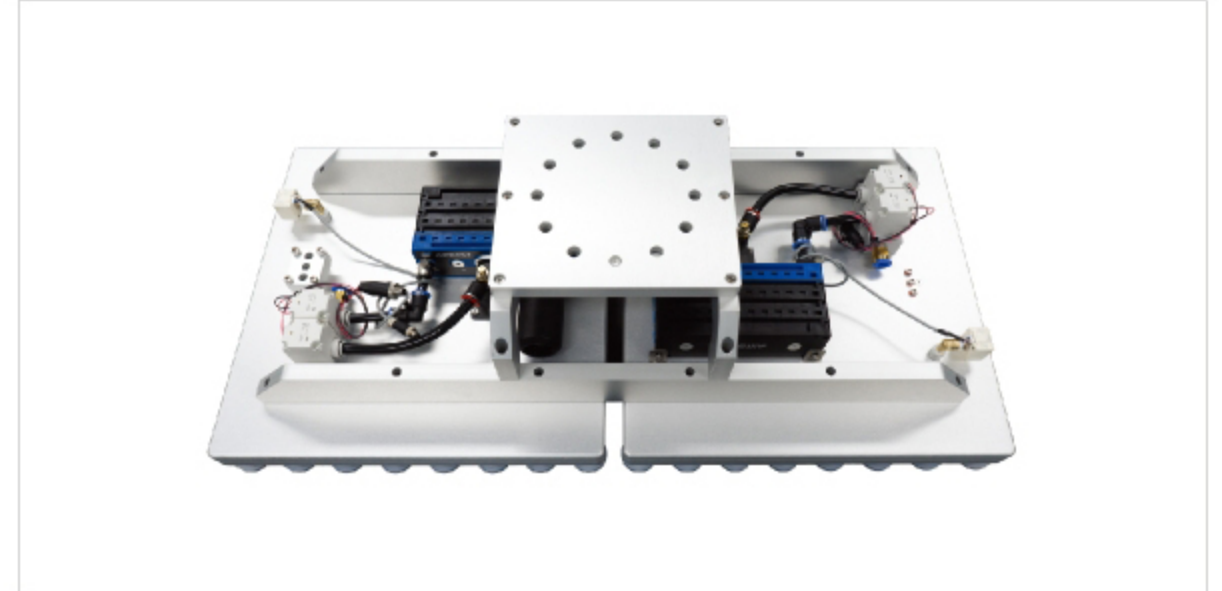
Customer Cases of GriPalm's Bespoke Gripper

## 01. Vacuum Gripper for 20kg Box Handling



<b>Customer</b>	Logistics Automation Company
<b>Lead Time</b>	Approx. 5 Days
<b>Gripper Weight</b>	Approx. 1055g

## 02. Large-Scale Palletizing Gripper



<b>Customer</b>	Robot SI / Pharma Palletizing
<b>Lead Time</b>	Approx. 20 Days
<b>Feature</b>	Cell Palletizing

## 03. Cosmetic Encasing Hybrid Gripper



<b>Customer</b>	Robot SI / Cosmetic Encasing
<b>Lead Time</b>	Approx. 3 Days
<b>Gripper Weight</b>	Approx. 950g

## 04. Tire Handling Gripper Tip



<b>Customer</b>	AI Vision / Tire Stacking
<b>Lead Time</b>	Approx. 5 Days
<b>Feature</b>	Optimized for Tire Shape

## 05. Vacuum Generator Gripper



<b>Customer</b>	AI Vision
<b>Lead Time</b>	Approx. 10 Days
<b>Weight</b>	Approx. 900g

## 06. Multi-Box Handling Gripper



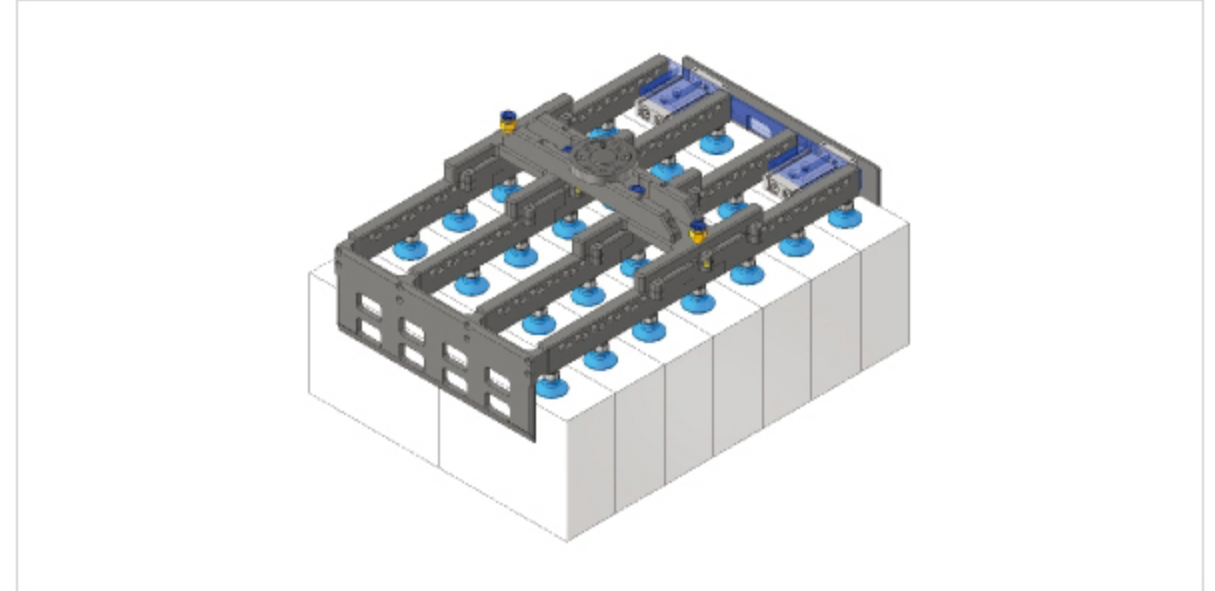
<b>Customer</b>	Robot SI / F&B
<b>Lead Time</b>	Approx. 14 Days
<b>Feature</b>	Suction Position Control

### 07. Pouch Handling Vacuum Gripper



<b>Customer</b>	Robot SI / Wet Wipe Encasing
<b>Lead Time</b>	Approx. 14 Days
<b>Feature</b>	Individual Suction Control

### 08. Industrial Multi-Box Gripper



<b>Customer</b>	Robot SI / Pharma
<b>Lead Time</b>	Approx. 10 Days
<b>Feature</b>	14-Box Alignment & Encasing

### 09. Dual Vacuum Gripper for Pouch Handling



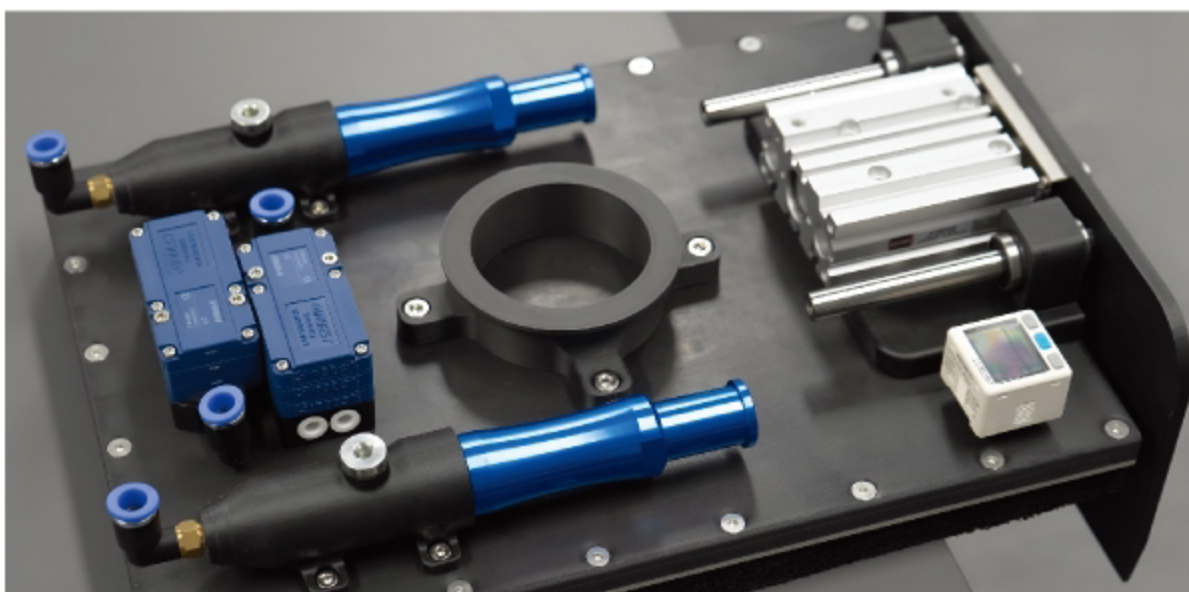
<b>Customer</b>	Robot SI / Wet Wipe Encasing
<b>Lead Time</b>	Approx. 20 Days
<b>Feature</b>	Individual Suction & Pick Position Control

### 10. Argon Gas Spray Unit for Robotic Welding



<b>Customer</b>	Welding Automation Company
<b>Lead Time</b>	Approx. 10 Days
<b>Feature</b>	Lattice Design & Metal 3D Printing

### 11. Sponge Vacuum Gripper for Palletizing



<b>Customer</b>	Robot SI
<b>Lead Time</b>	Approx. 20 Days
<b>Feature</b>	Built-in Alignment Guide

### 12. Sponge Vacuum Gripper for Palletizing



<b>Customer</b>	AI Vision Company
<b>Lead Time</b>	Approx. 20 Days
<b>Feature</b>	Built-in Ejector & Replaceable Gripper

**GriPalm** | Customized. Lightweight. Rapid.

Experience greater flexibility, efficiency and productivity  
with **GriPalm's** custom gripper solutions.



## Contact Us

**GriPalm**

<https://gripalm.com>

43 Ilsik-ro, B-808 GIDC  
Gwangmyeong-si, Gyeonggi-do, Korea

**Seungjae Leem**

**CEO**

E. [sj.leem@harvestance.com](mailto:sj.leem@harvestance.com)

M. +82-10-5172-2342

T. +82-2-3144-0119