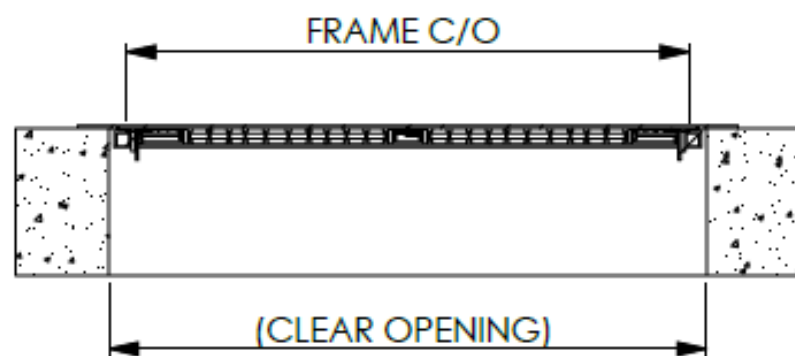
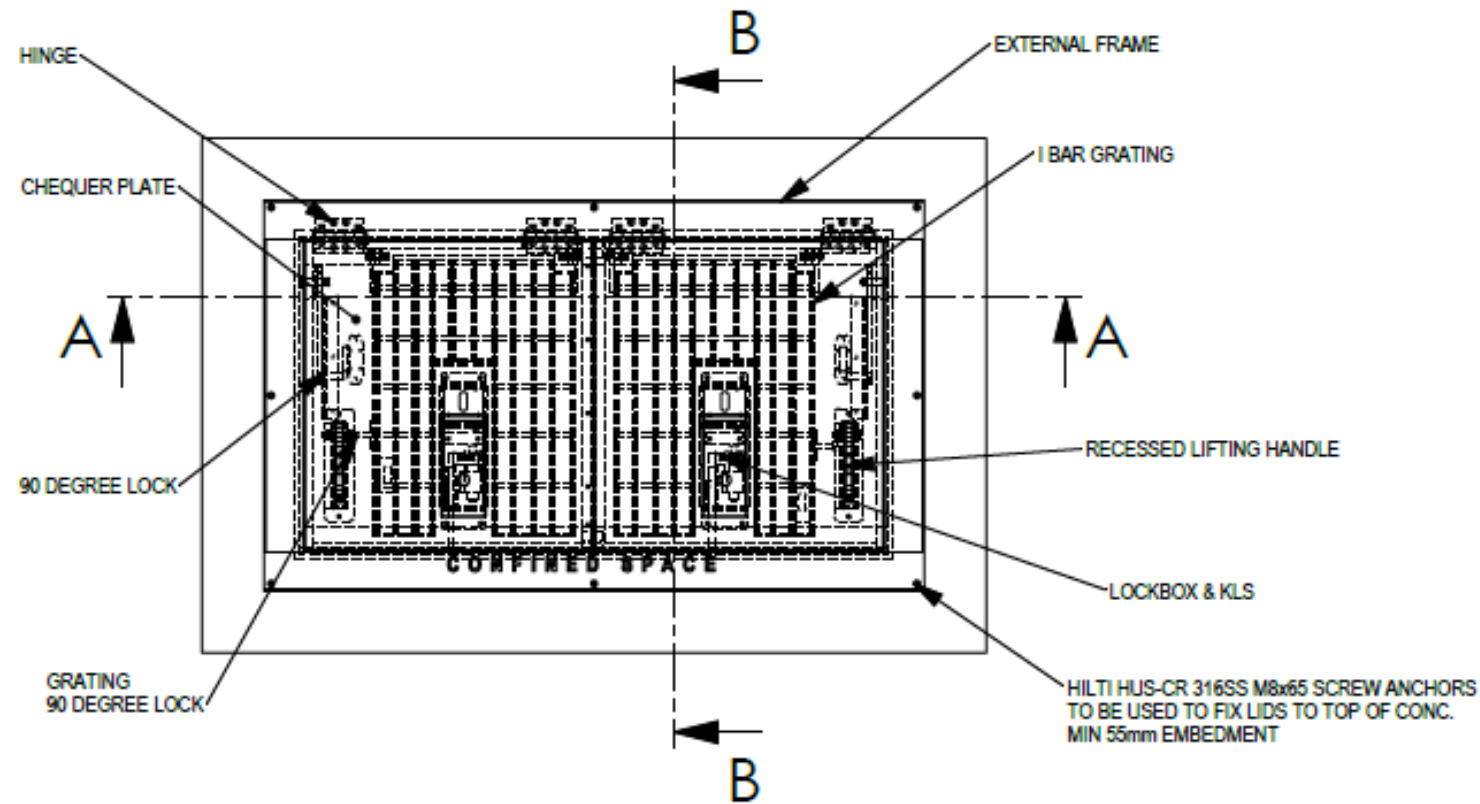
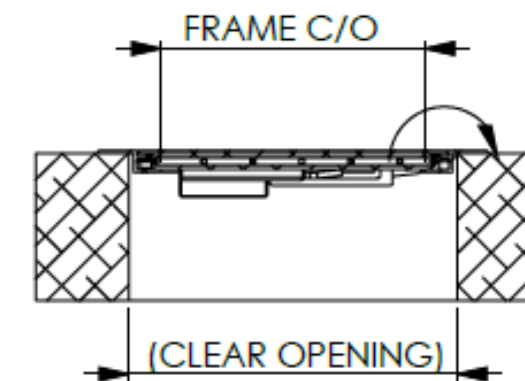


SAFETY ACCESS COVER FEATURES

MODEL: MP-LPG ACCESS COVER FEATURES



SECTION A-A



SECTION B-B

STANDARD FEATURES:

- LOW PROFILE FLUSH LID DESIGN
- DROP IN ANGLE FRAME
- ACCESS COVER & GRATING DESIGNED IN ACCORDANCE WITH AS3996-2019 - CLASS A LOAD RATED
- LIGHTWEIGHT COVERS AND GRATINGS DESIGNED FOR SINGLE PERSON LIFT
- 6mm ALUMINIUM EXTRUSION FRAME (POWDER COATED GREEN WITH AGGREGATE)
- 6mm CHEQUER PLATE LIDS (POWDER COATED GREEN WITH AGGREGATE)
- RECESSED LOCKBOX WITH KEYHOLE LIFTING SLOT (KLS)
- 32 IBAR - HINGED GRATING PANELS (POWDER COATED SAFETY YELLOW) WITH KLS
- ODOUR SEALED (REPLACEABLE NEOPRENE FOAM TAPE)
- STAINLESS STEEL FIXINGS (ISOLATED FROM ALUMINIUM WITH DURALAC OR NYLON)
- LID 90 DEGREE LOCKING MECHANISM (LEFT OR RIGHT SIDE FOR SINGLE LID DESIGN)
- GRATING 90 DEGREE LOCK
- CUT-OUTS IN SAFETY GRATE FOR SPINDLE/INSTRUMENT ACCESS
- RECESSED LIFTING HANDLES

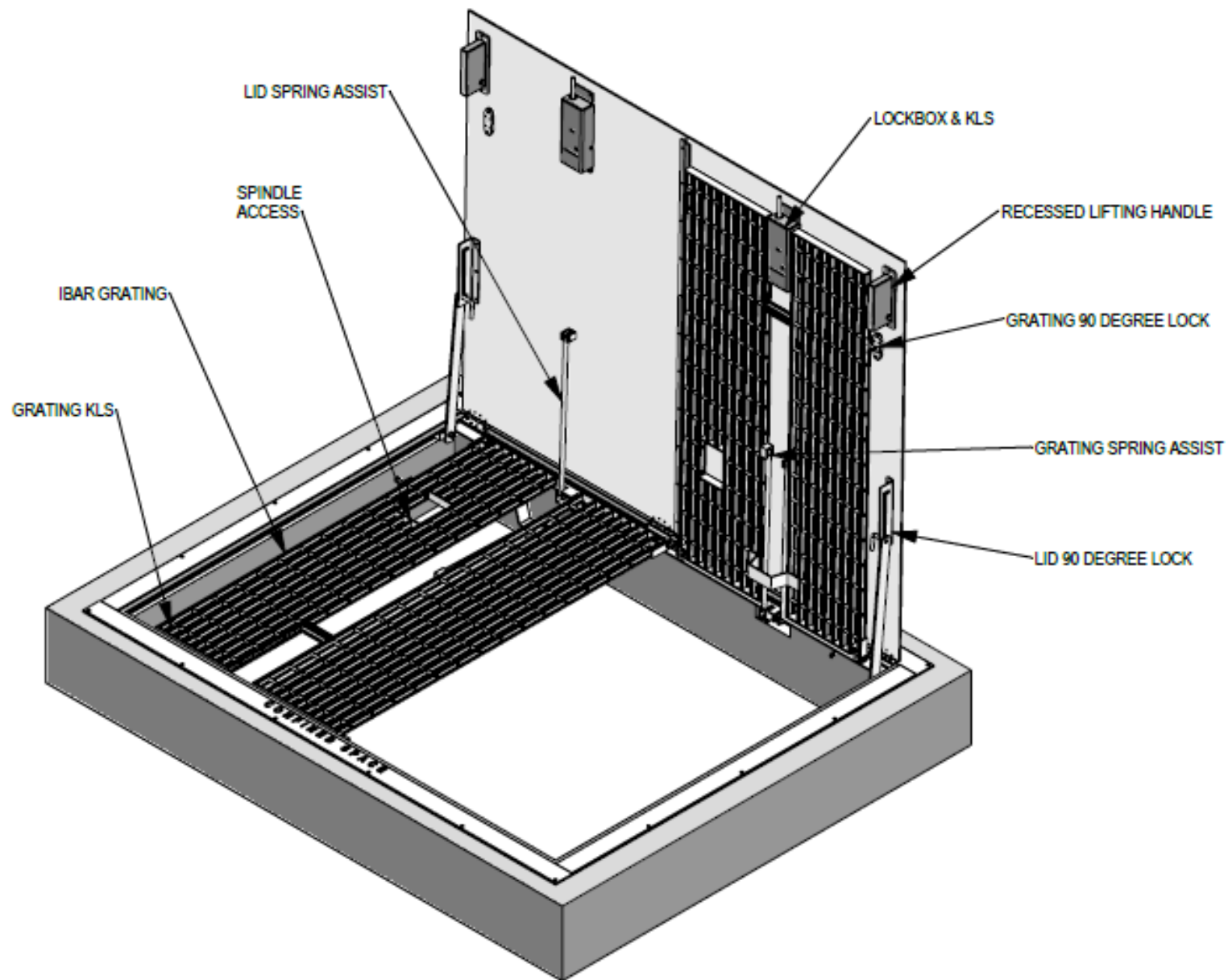
OPTIONAL FEATURES:

- FRAME AND GRATING CUSTOM COLOURS
- CUSTOM DESIGN TO MEET HIGHER LOAD RATINGS
- COVER AND GRATING SIZES AND OPENING ORIENTATION TO SUIT SITE REQUIREMENTS
- SPRING ASSIST TO KEEP HINGED LIFTING WEIGHT OF LIDS AND GRATING UNDER 16 KG

SAFETY ACCESS COVER FEATURES

MODEL: MP-LPG ACCESS COVER FEATURES

ACCESS FEATURES & EXTRAS



ACCESS COVER FRAME DETAILS

