

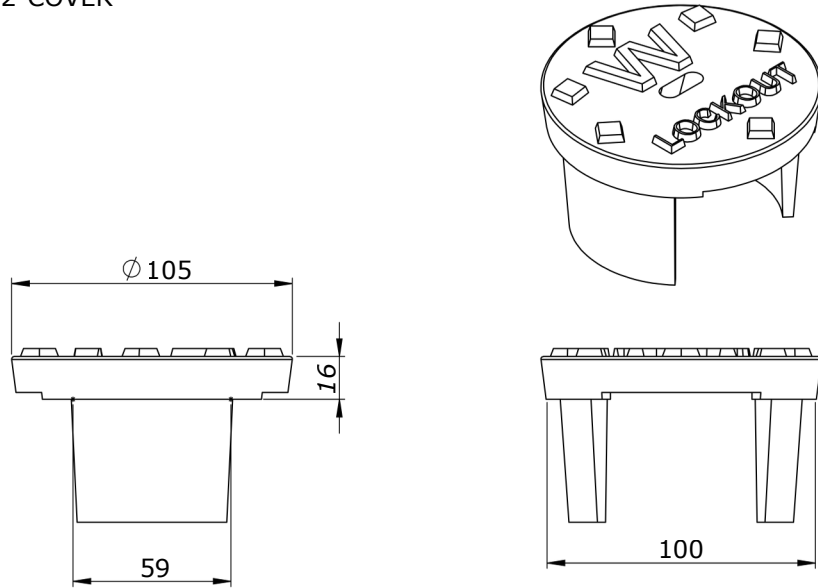
VALVE LOCK OUT DEVICE

MODEL: VBL-C-2

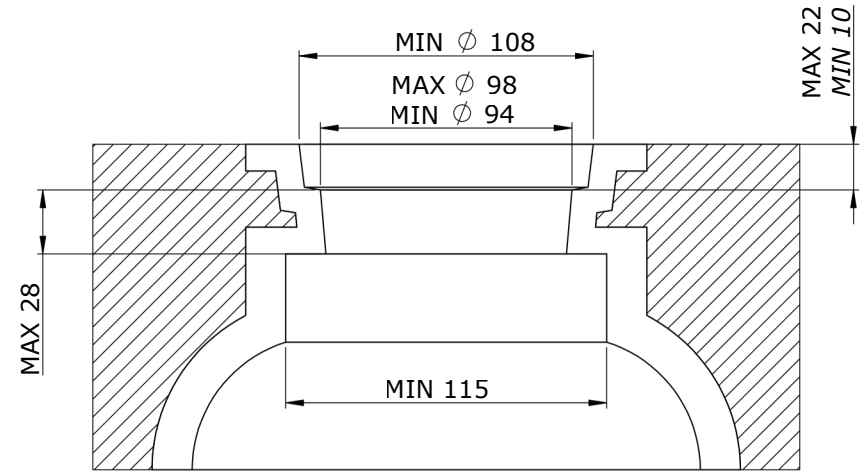
MASSTM

THE SAFE ACCESS PEOPLE

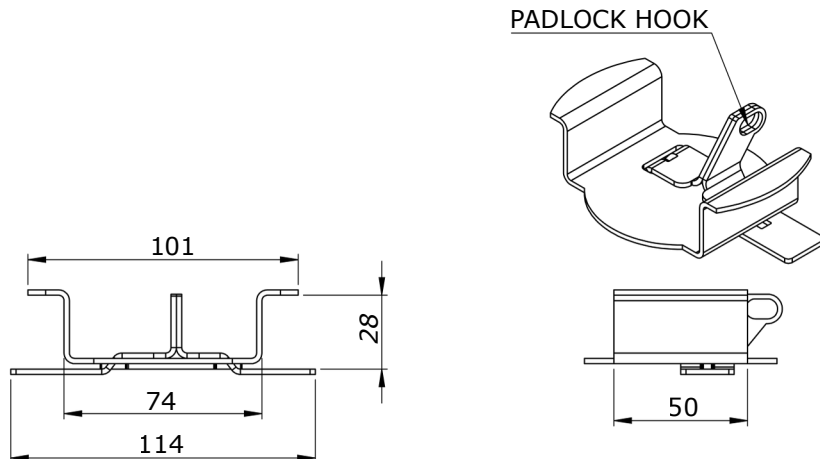
VBL-C-2-COVER



VALVE OPENING DIMENSIONS



VBL-C-2



THE DEVICE PREVENTS OPERATORS INADVERTENTLY OPENING OR CLOSING A VALVE AND RELEASING "ENERGISED" WATER. IT ALSO STOPS UNAUTHORISED PEOPLE FROM TAMPERING WITH BOUNDARY AND INGROUND VALVES PREVENTING DISRUPTIONS TO THE WATER SUPPLY. THIS PRODUCT IS DESIGNED TO FIT SOME CIRCULAR WATER SHUTOFF VALVE OPENINGS.

STANDARD FEATURES

- MANUFACTURED TO AUSTRALIAN STANDARDS
- CAST DUCTILE IRON COVER
- STAINLESS STEEL LOCKOUT DEVICE
- SITS FLUSH BENEATH GROUND LEVEL
- DESIGNED TO SUIT AN ABLOY PL321 PADLOCK OR EQUIVALENT (APPROXIMATELY 64mm X 33mm X 19mm)

ALL MEASUREMENTS ARE IN MILLIMETERS

* REFER TO CONDITIONS OF SALE AND LIMITED WARRANTY CONDITIONS *

COPYRIGHT 2024, ALL RIGHTS RESERVED.
THIS DRAWING IS THE PROPERTY OF MASS PRODUCTS. NO INFORMATION MAY BE COPIED OR REPRODUCED WITHOUT MASS PRODUCTS' PERMISSION.