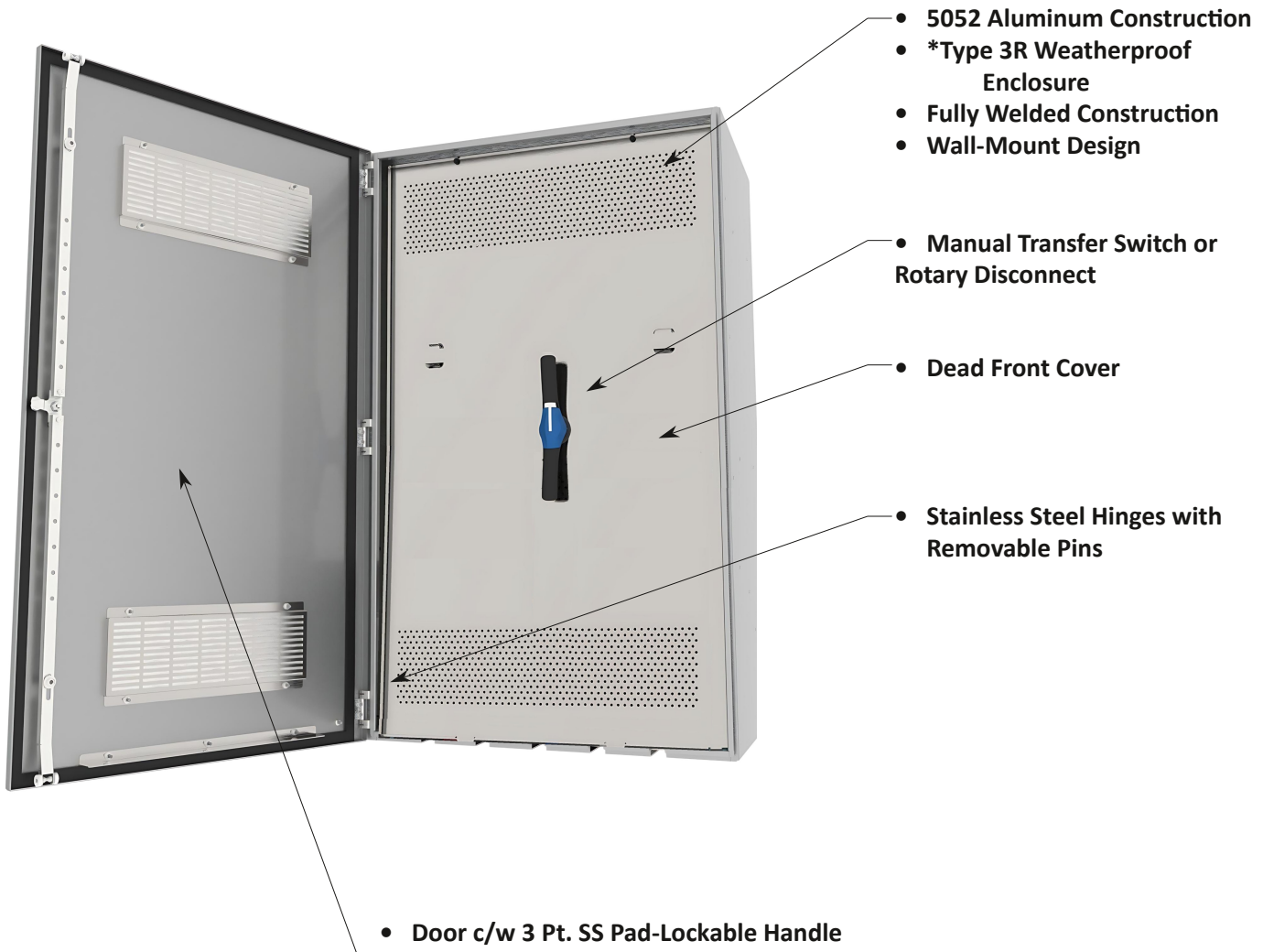


The FFTS-M2N Series Connection Cabinets offer quick connection to a mobile generator, allowing temporary power to be received quickly and safely. These units are equipped with a non-fused manual transfer switch and are available with optional indicating lights, providing a quick visual status on normal/emergency supply selection. Additionally, these units are equipped with mechanical lugs, allowing for easy connection. Assemblies are available with up to 4000A mains and are certified to cULus standards.



* CSR available with Type 4 Enclosure

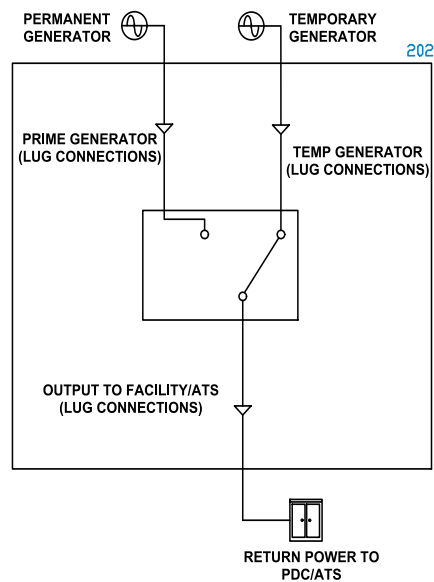
Rev 3.0

Connection Cabinets

FFTS-M2N Series



One-Line Diagram



ROTARY MANUAL TRANSFER SWITCH

Connection Cabinets

FFTS-M2N Series



Product Selector

FFTS - M2N - - - - - PART NO.

FFTS - M2N - 800 - V7 - ALU - LA - ACC EX.

AMPS
100
200
400
600
800
1200
1600
2000
2400
2800
3000
3200
3600
4000

VOLTAGE
V1 = 120/240V (1PH + N + G)
V2 = 240V (3PH + G)
V3 = 208Y/120V (3PH + N + G)
V4 = 480Y/277V (3PH + N + G)
V5 = 480V (3PH + G)
V6 = 600Y/347V (3PH + N + G)
V7 = 600V (3PH + G)

ENCLOSURE CONSTRUCTION
CRS = COLD ROLLED STEEL
ALU = 5052 ALUMINUM
304 = 304 STAINLESS STEEL
316 = 316 STAINLESS STEEL

ACCESSORIES (ACC)
AXX = 400A CAMLOCK CABLE SET (XX = FT)
AB = CUSTOM POWDER COAT COLOUR
AC = HEATER W/ STAT
AF = TERMINAL STRIP
AG = PHASE SEQUENCE MONITOR
AH = POWER METER
AI = MICRO-SWITCH
BLANK = NONE

FOR MORE DETAILS CONTACT US

LUG CONFIGURATIONS (PER POLE)			
AMPS	OPTION LA	OPTION LB	OPTION CL (CUSTOM LUGS)
100A	(1) #6 AWG - 250MCM, (1) #2 GND	(1) #4 AWG - 600MCM, (1) #1/0 GND	
200A	(1) #6 AWG - 250MCM, (1) #2 GND	(1) #4 AWG - 600MCM, (1) #1/0 GND	
400A	(2) #6 AWG - 250MCM, (2) #2 GND	(1) #4 AWG - 600MCM, (1) #1/0 GND	
600A	(2) #4 AWG - 600MCM, (2) #1/0 GND	(2) 300 - 800 MCM, (2) #2/0 GND	
800A	(3) #4 AWG - 600MCM, (3) #1/0 GND	(2) 300 - 800 MCM, (2) #2/0 GND	
1200A	(4) #4 AWG - 600MCM, (4) #1/0 GND	(3) 300 - 800 MCM, (3) #2/0 GND	
1600A	(5) #4 AWG - 600MCM, (5) #1/0 GND	(4) 300 - 800 MCM, (4) #2/0 GND	
2000A	(6) #4 AWG - 600MCM, (6) #1/0 GND	(5) 300 - 800 MCM, (5) #2/0 GND	
2400A	(8) #4 AWG - 600MCM, (8) #1/0 GND	(6) 300 - 800 MCM, (6) #2/0 GND	
2800A	(9) #4 AWG - 600MCM, (9) #1/0 GND	(8) 300 - 800 MCM, (8) #2/0 GND	
3000A	(9) #4 AWG - 600MCM, (9) #1/0 GND	(8) 300 - 800 MCM, (8) #2/0 GND	
3200A	(10) #4 AWG - 600MCM, (10) #1/0 GND	(9) 300 - 800 MCM, (9) #2/0 GND	
3600A	(11) #4 AWG - 600MCM, (11) #1/0 GND	(10) 300 - 800 MCM, (10) #2/0 GND	
4000A	(12) #4 AWG - 600MCM, (12) #1/0 GND	(11) 300 - 800 MCM, (11) #2/0 GND	

**FOR CUSTOM LUG SIZES, SPECIFY WHEN PLACING ORDER

Max Ratings

- 4000A
- 600VAC

Dimensions & Est. Weights

• 36"H x 24"W x 12"D (400A)	3P&4P	325 LB
• 48"H x 36"W x 20"D (401A - 600A)	3P&4P	372 LB
• 60"H x 36"W x 24"D (601A - 1200A)	3P&4P	TBD
• 90"H x 36"W x 30"D (1201A - 3000A)	3P&4P	TBD
• 90"H x 75"W x 30"D (1600A - 3000A) BoltSW	3P	TBD
• 90"H x 100"W x 36"D (1600A - 3000A) BoltSW	4P	TBD
• 90"H x 100"W x 36"D (4000A) BoltSW	3P	TBD