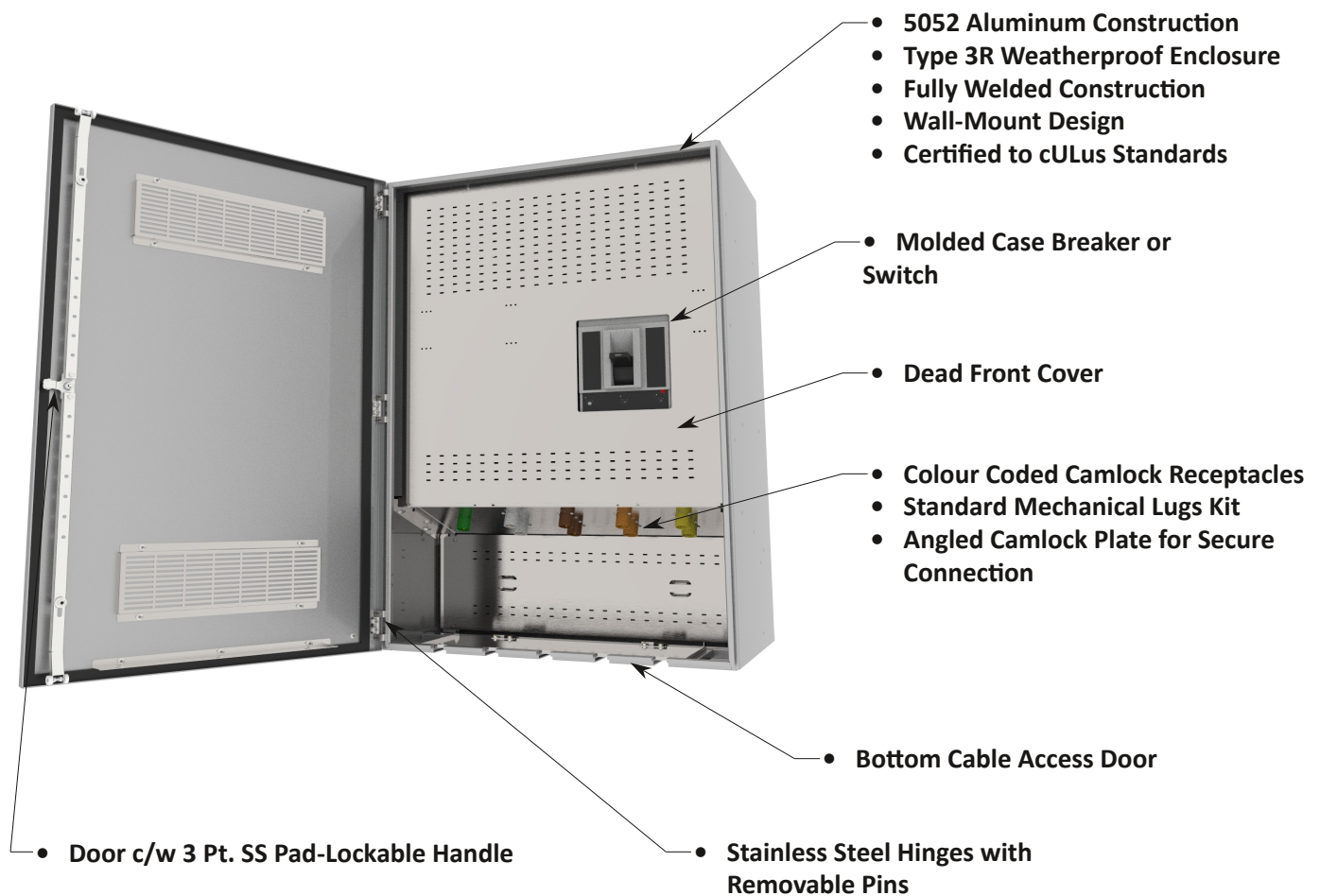
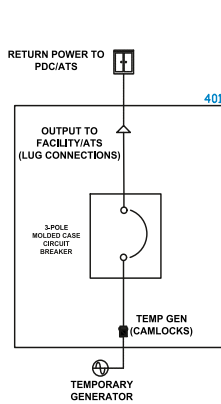


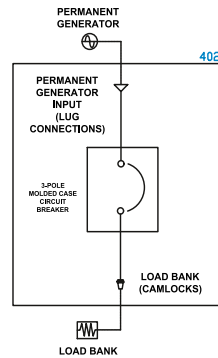
The FFCC-C3 Series Connection Cabinets provide quick connections to mobile generators or load banks while also offering overcurrent protection. Units come equipped with a molded case breaker or switch. Units come complete with colour coded camlock receptacles allowing for easy connection and can also be assembled for service entrance applications. Assemblies are available with up to 1200A mains and are certified to cULus standards.



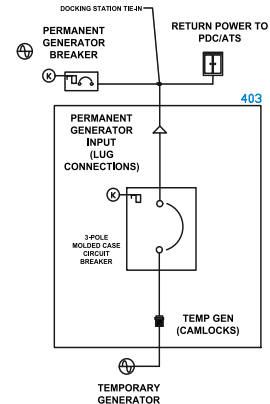
One-Line Diagram



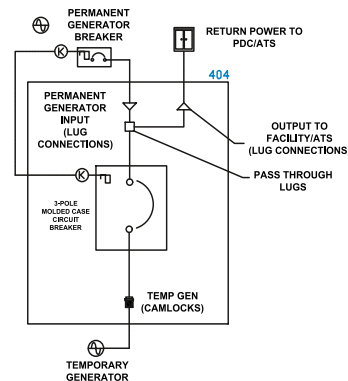
**SINGLE BREAKER DOCKING STATION
TEMPORARY GENERATOR
CONFIGURATION**



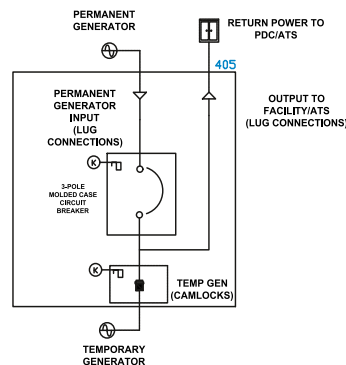
**SINGLE BREAKER DOCKING STATION
LOAD BANK
CONFIGURATION**



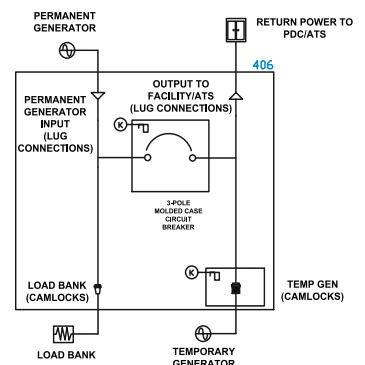
**SINGLE BREAKER DOCKING STATION
SYSTEM IS INTERLOCK WITH
UPSTREAM GENERATOR VIA KIRK KEY**



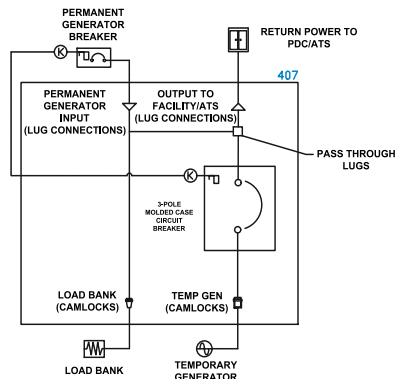
**SINGLE BREAKER DOCKING STATION -
SYSTEM BREAKER IS INTERLOCKED WITH
UPSTREAM GENERATOR BREAKER VIA KIRK KEY.
INCLUDES PASS THROUGH LUGS**



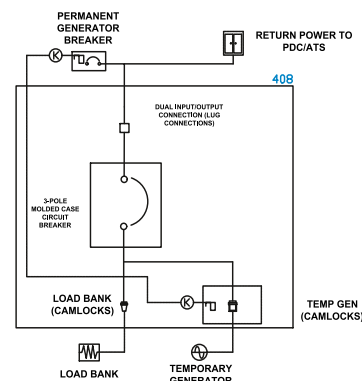
**SINGLE BREAKER DOCKING STATION -
SYSTEM BREAKER INTERLOCKED WITH
PORTABLE GENERATOR CAMLOCK COVER
VIA KIRK KEY**



**SINGLE BREAKER DOCKING STATION -
DUAL PURPOSE PASS THROUGH - SYSTEM
BREAKER INTERLOCKED WITH PORTABLE
GENERATOR CAMLOCK COVER VIA KIRK KEY**



**SINGLE BREAKER DOCKING STATION -
SYSTEM BREAKER IS INTERLOCKED WITH
UPSTREAM GENERATOR BREAKER VIA KIRK KEY.
INCLUDES DUAL PURPOSE PASS THROUGH LUGS**



**SINGLE BREAKER DOCKING STATION -
PORTABLE GENERATOR CAMLOCK COVER
INTERLOCKED WITH
UPSTREAM GENERATOR BREAKER VIA KIRK KEY.
INCLUDES DUAL PURPOSE PASS THROUGH LUGS**

Product Selector

FFCC - C3 - [] - [] - [] - [] - [] - [] - [] PART NO.

FFCC - C3 - 800 - TM - U3 - G - ALU - LA - ACC EX.

AMPS

100
200
400
600
800
1200

C.B. TRIP UNIT

TM = THERMAL MAGNETIC
LS = ELECTRONIC LS
LSI = ELECTRONIC LSI
LSG = ELECTRONIC LSG
LSIG = ELECTRONIC LSIG
KS = MOLDED CASE SWITCH

CONNECTION

G = PORTABLE GENERATOR (INLET)
L = LOAD BANK (OUTLET)
GL = PORTABLE GENERATOR (INLET) + LOAD BANK (OUTLET)

ENCLOSURE CONSTRUCTION

ALU = 5052 ALUMINUM
304 = 304 STAINLESS STEEL
316 = 316 STAINLESS STEEL

USA

VOLTAGE	CAMLOCK COLOUR GUIDE				
	A	B	C	N	G
U1 = 120/240V (1PH + N + G)	BLK	RED		WHT	GRN
U2 = 240V (3PH + G)	BLK	RED	BLU		GRN
U3 = 208Y/120V (3PH + N + G)	BLK	RED	BLU	WHT	GRN
U4 = 480Y/277V (3PH + N + G)	BRN	ORG	YEL	WHT	GRN
U5 = 480V (3PH + G)	BRN	ORG	YEL		GRN

CANADA

VOLTAGE	CAMLOCK COLOUR GUIDE				
	A	B	C	N	G
C1 = 120/240V (1PH + N + G)	RED	BLK		WHT	GRN
C2 = 240V (3PH + G)	RED	BLK	BLU		GRN
C3 = 208Y/120V (3PH + N + G)	RED	BLK	BLU	WHT	GRN
C4 = 480Y/277V (3PH + N + G)	RED	BLK	BLU	WHT	GRN
C5 = 480V (3PH + G)	RED	BLK	BLU		GRN
C4 = 600Y/347V (3PH + N + G)	RED	BLK	BLU	WHT	GRN
C5 = 600V (3PH + G)	RED	BLK	BLU		GRN

ACCESSORIES (ACC)

AXX = 400A CAMLOCK CABLE SET (XX = FT)
AA = CAMLOCK SNAP COVERS
AB = CUSTOM POWDER COAT COLOUR
AC = HEATER W/ STAT
AD = GFCI RECEPTACLE
AE = KEY INTERLOCK
AF = TERMINAL STRIP
AF2 = TWO WIRE START CONTACTS
AG = PHASE SEQUENCE MONITOR
AH = POWER METER
AI = MICRO-SWITCH
LEG = LEG STAND SET
BE = BOTTOM ENTRY
ERMS = ENERGY REDUCTION MAINTENANCE SETTING
SH24 = SHUNT TRIP 24V
SH120 = SHUNT TRIP 120V
LDR = LOAD DUMP RECEPTACLE
SPD = SURGE SUPPRESSION DEVICE
SER = SERVICE ENTRANCE ACCESS
VI = VOLTAGE INDICATOR
2WSDS = TWO WIRE START CONTACTS C/W SOURCE DESTINATION SWITCH
BLANK = NONE

**FOR MORE DETAILS CONTACT US

LUG CONFIGURATIONS (PER POLE)

AMPS	OPTION LA	OPTION LB	OPTION CL (CUSTOM LUGS)
100A	(1) #6 AWG - 250MCM, (1) #2 GND	(1) #4 AWG - 600MCM, (1) #1/0 GND	
200A	(1) #6 AWG - 250MCM, (1) #2 GND	(1) #4 AWG - 600MCM, (1) #1/0 GND	
400A	(2) #6 AWG - 250MCM, (2) #2 GND	(1) #4 AWG - 600MCM, (1) #1/0 GND	CONSULT FACTORY
600A	(2) #4 AWG - 600MCM, (2) #1/0 GND	(2) 300 - 800 MCM, (2) #2/0 GND	
800A	(3) #4 AWG - 600MCM, (3) #1/0 GND	(2) 300 - 800 MCM, (2) #2/0 GND	
1200A	(4) #4 AWG - 600MCM, (4) #1/0 GND	(3) 300 - 800 MCM, (3) #2/0 GND	

**FOR CUSTOM LUG SIZES, SPECIFY WHEN PLACING ORDER

Max Ratings

- 1200A
- 600VAC

Dimensions & Est. Weights

GENERATOR / LOAD BANK

- 42"H x 30"W x 16"D (100A - 400A) 180LB
- 60"H x 36"W x 24"D (600A - 1200A) 380LB

GENERATOR & LOAD BANK - DUAL PURPOSE

- 60"H x 36"W x 24"D (100A - 400A) 370LB
- 72"H x 36"W x 30"D (600A - 1200A) 690LB

Bottom Entry
Consult factory for sizing