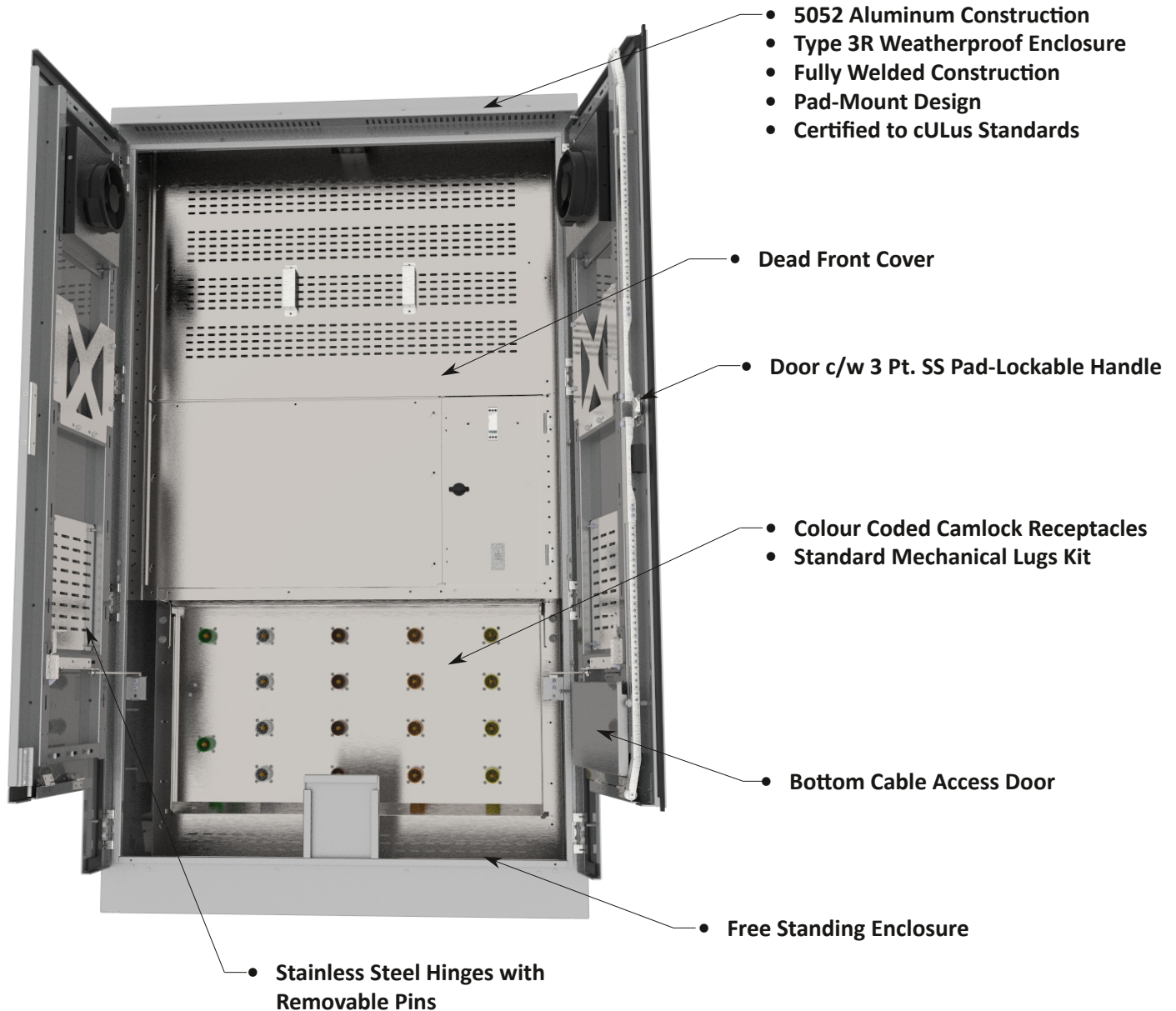


Connection Cabinets

FFCC-P1 Series



The FFCC-P1 Series Connection Cabinets offer quick connection to a mobile generator or load bank. They can be penetrated from the top, bottom or sides to allow for facility wiring. These units are equipped with colour coded camlock receptacles allowing for easy connection. Assemblies are available with up to 4000A mains and are certified to cULus standards.



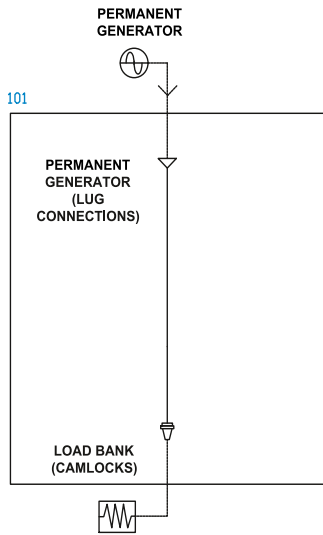
Rev 3.0

Connection Cabinets

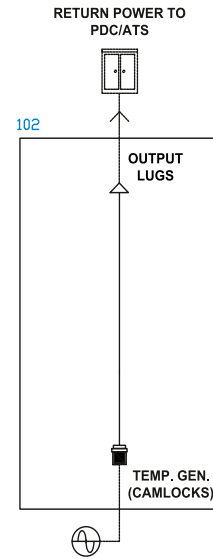
FFCC-P1 Series



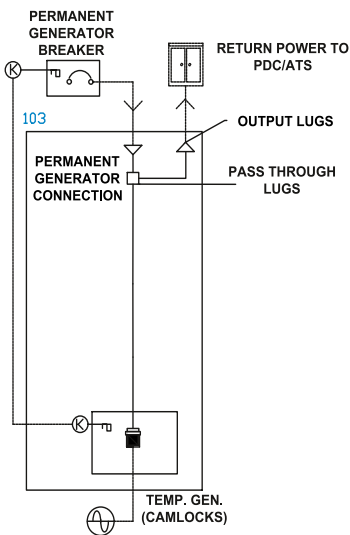
One-Line Diagram



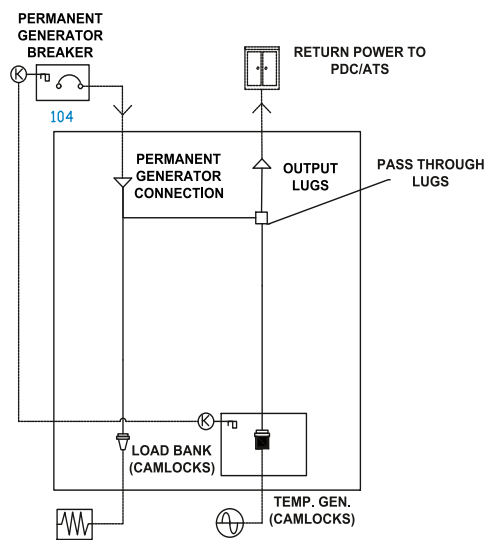
STANDARD LOAD BANK DOCKING STATION



STANDARD PORTABLE GENERATOR DOCKING STATION



PORTABLE GENERATOR DOCKING STATION WITH KIRK KEY INTERLOCKING



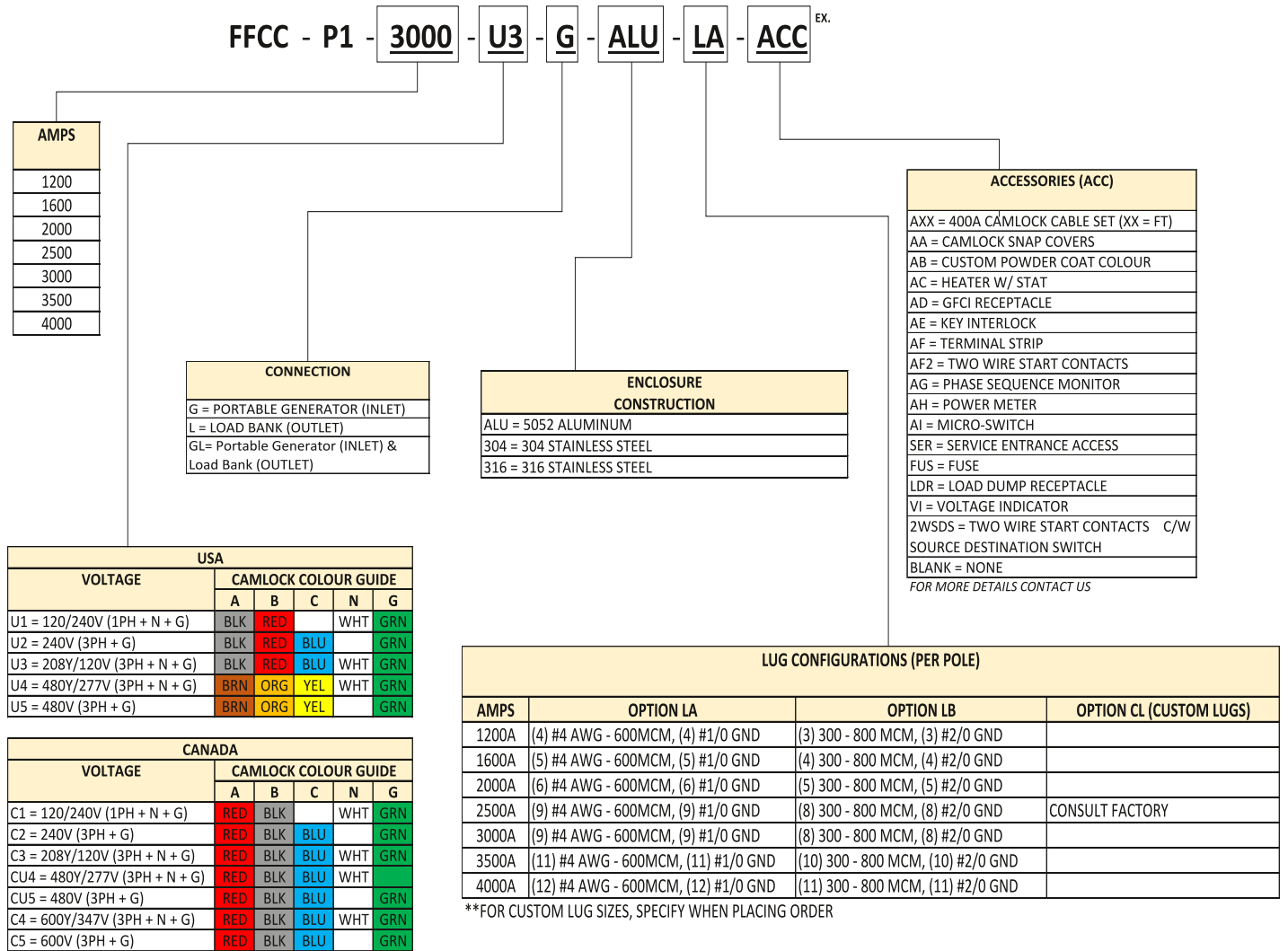
PORTABLE GENERATOR DOCKING AND LOAD BANK TEST STATION WITH KIRK KEY INTERLOCKING

Connection Cabinets

FFCC-P1 Series



Product Selector



Max Ratings

- 4000A
- 600VAC

Dimensions & Est. Weights

GENERATOR / LOAD BANK

- 72"H x 36"W x 30"D (1200A - 1600A) 715LB
- 78"H x 45"W x 38"D (2000A - 4000A) 807LB

Bottom Entry

Consult factory for sizing