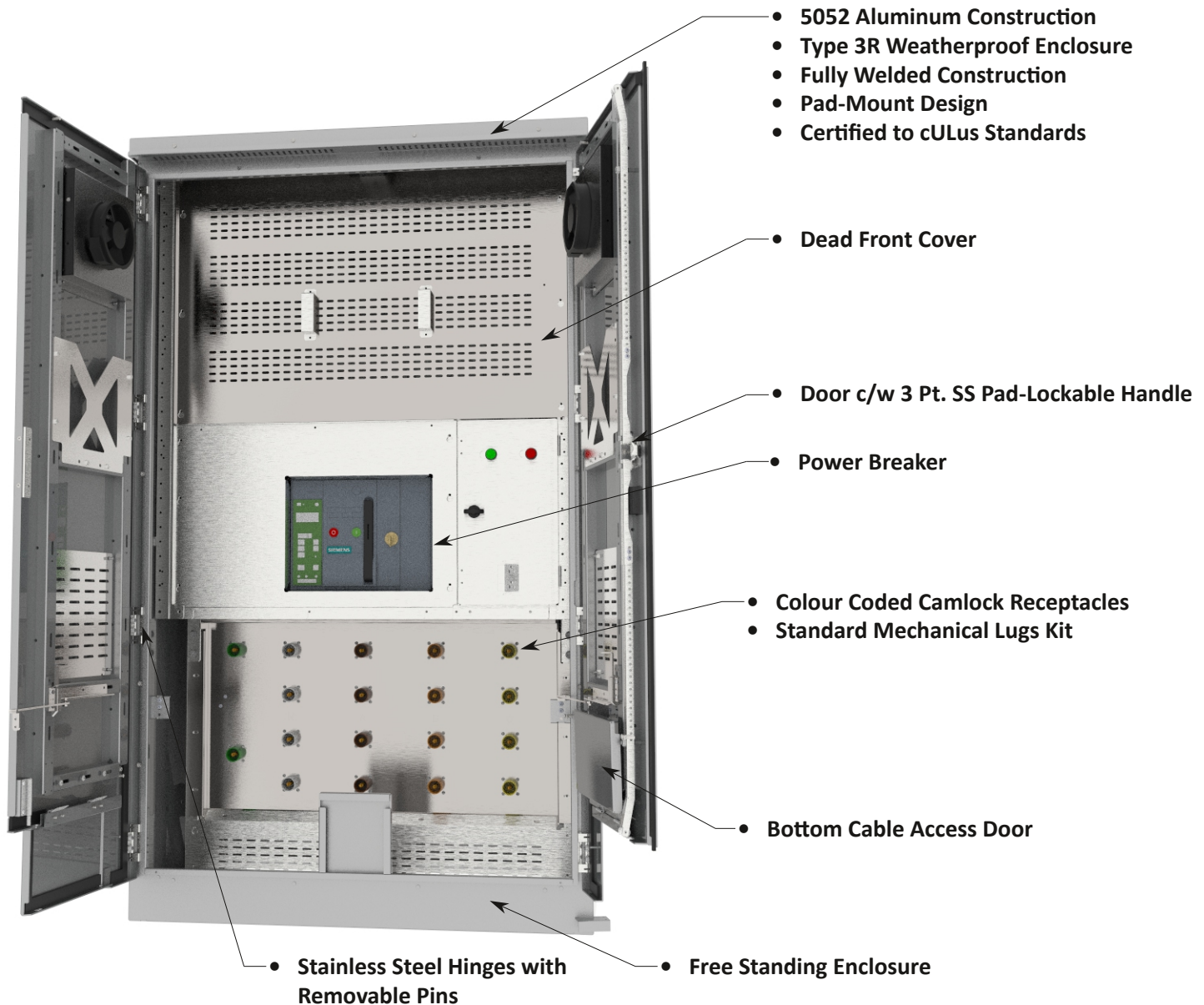
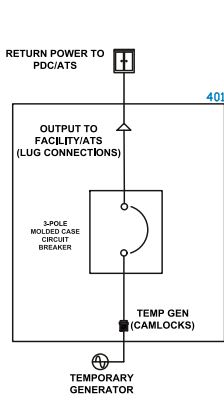


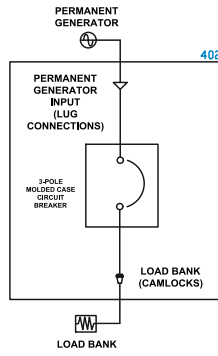
The FFCC-P2 Series Connection Cabinets offer quick connection to a mobile generator or load bank. They can be penetrated from the top, bottom or sides to allow for facility wiring. These units are equipped with colour coded camlock receptacles allowing for easy connection and also a molded case breaker or switch. Additionally, units can be assembled for service entrance applications. Assemblies are available with up to 4000A mains and are certified to cULus standards.



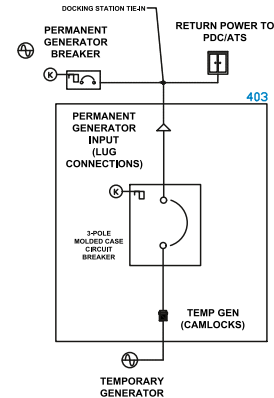
One-Line Diagram



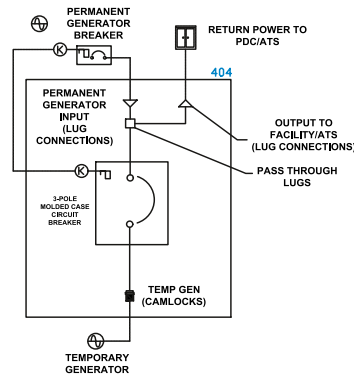
SINGLE BREAKER DOCKING STATION TEMPORARY GENERATOR CONFIGURATION



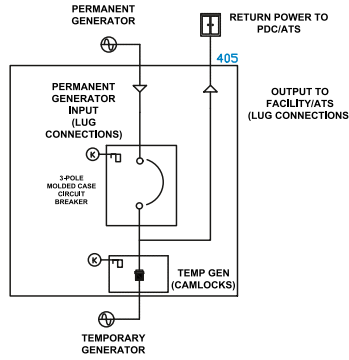
SINGLE BREAKER DOCKING STATION LOAD BANK CONFIGURATION



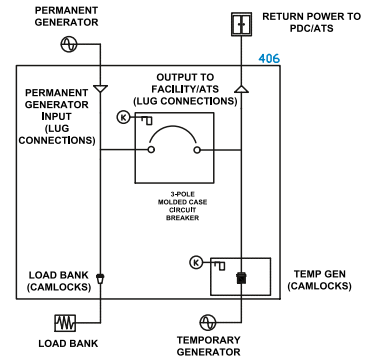
SINGLE BREAKER DOCKING STATION SYSTEM IS INTERLOCK WITH UPSTREAM GENERATOR VIA KIRK KEY



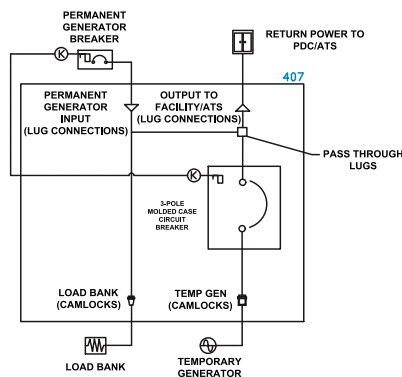
SINGLE BREAKER DOCKING STATION - SYSTEM BREAKER IS INTERLOCKED WITH UPSTREAM GENERATOR BREAKER VIA KIRK KEY. INCLUDES PASS THROUGH LUGS



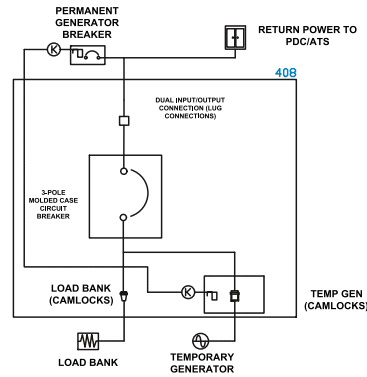
SINGLE BREAKER DOCKING STATION - SYSTEM BREAKER INTERLOCKED WITH PORTABLE GENERATOR CAMLOCK COVER VIA KIRK KEY



SINGLE BREAKER DOCKING STATION - DUAL PURPOSE PASS THROUGH - SYSTEM BREAKER INTERLOCKED WITH PORTABLE CAMLOCK COVER VIA KIRK KEY



SINGLE BREAKER DOCKING STATION - SYSTEM BREAKER IS INTERLOCKED WITH UPSTREAM GENERATOR BREAKER VIA KIRK KEY. INCLUDES DUAL PURPOSE PASS THROUGH LUGS



SINGLE BREAKER DOCKING STATION - PORTABLE GENERATOR CAMLOCK COVER INTERLOCKED WITH UPSTREAM GENERATOR BREAKER VIA KIRK KEY. INCLUDES DUAL PURPOSE PASS THROUGH LUGS

Product Selector

FFCC - P2 - [] - [] - [] - [] - [] - [] - [] PART NO.

FFCC - P2 - **3000** - **TM** - **U3** - **G** - **ALU** - **LA** - **ACC** EX.

AMPS

1200
1600
2000
2500
3000
3500
4000

C.B. TRIP UNIT

TM = THERMAL MAGNETIC
LS = ELECTRONIC LS
LSI = ELECTRONIC LSI
LSG = ELECTRONIC LSG
LSIG = ELECTRONIC LSIG
KS = MOLDED CASE SWITCH

CONNECTION

G = PORTABLE GENERATOR (INLET)
L = LOAD BANK (OUTLET)
GL = PORTABLE GENERATOR (INLET) + LOAD BANK (OUTLET)

ENCLOSURE CONSTRUCTION

ALU = 5052 ALUMINUM
304 = 304 STAINLESS STEEL
316 = 316 STAINLESS STEEL

ACCESSORIES (ACC)

AXX = 400A CAMLOCK CABLE SET (XX = FT)
AA = CAMLOCK SNAP COVERS
AB = CUSTOM POWDER COAT COLOUR
AC = HEATER W/ STAT
AD = GFCI RECEPTACLE
AE = KEY INTERLOCK
AF = TERMINAL STRIP
AF2 = TWO WIRE START CONTACTS
AG = PHASE SEQUENCE MONITOR
AH = POWER METER
AI = MICRO-SWITCH
ERMIC = ENERGY REDUCTION MAINTENANCE SETTING
SH24 = SHUNT TRIP 24V
SH120 = SHUNT TRIP 120V
LDR = LOAD DUMP RECEPTACLE
SER = SERVICE ENTRANCE ACCESS
SPD = SURGE SUPPRESSION DEVICE
VI = VOLTAGE INDICATOR
2WSDS = TWO WIRE START CONTACTS C/W SOURCE DESTINATION SWITCH
BLANK = NONE

FOR MORE DETAILS CONTACT US

USA

VOLTAGE	CAMLOCK COLOUR GUIDE				
	A	B	C	N	G
U1 = 120/240V (1PH + N + G)	BLK	RED		WHT	GRN
U2 = 240V (3PH + G)	BLK	RED	BLU		GRN
U3 = 208Y/120V (3PH + N + G)	BLK	RED	BLU	WHT	GRN
U4 = 480Y/277V (3PH + N + G)	BRN	ORG	YEL	WHT	GRN
U5 = 480V (3PH + G)	BRN	ORG	YEL		GRN

CANADA

VOLTAGE	CAMLOCK COLOUR GUIDE				
	A	B	C	N	G
C1 = 120/240V (1PH + N + G)	RED	BLK		WHT	GRN
C2 = 240V (3PH + G)	RED	BLK	BLU		GRN
C3 = 208Y/120V (3PH + N + G)	RED	BLK	BLU	WHT	GRN
C4 = 480Y/277V (3PH + N + G)	RED	BLK	BLU	WHT	GRN
C5 = 480V (3PH + G)	RED	BLK	BLU		GRN
C4 = 600Y/347V (3PH + N + G)	RED	BLK	BLU	WHT	GRN
C5 = 600V (3PH + G)	RED	BLK	BLU		GRN

LUG CONFIGURATIONS (PER POLE)

AMPS	OPTION LA	OPTION LB	OPTION CL (CUSTOM LUGS)
1200A	(4) #4 AWG - 600MCM, (4) #1/0 GND	(3) 300 - 800 MCM, (3) #2/0 GND	
1600A	(5) #4 AWG - 600MCM, (5) #1/0 GND	(4) 300 - 800 MCM, (4) #2/0 GND	
2000A	(6) #4 AWG - 600MCM, (6) #1/0 GND	(5) 300 - 800 MCM, (5) #2/0 GND	
2500A	(9) #4 AWG - 600MCM, (9) #1/0 GND	(8) 300 - 800 MCM, (8) #2/0 GND	CONSULT FACTORY
3000A	(9) #4 AWG - 600MCM, (9) #1/0 GND	(8) 300 - 800 MCM, (8) #2/0 GND	
3500A	(11) #4 AWG - 600MCM, (11) #1/0 GND	(10) 300 - 800 MCM, (10) #2/0 GND	
4000A	(12) #4 AWG - 600MCM, (12) #1/0 GND	(11) 300 - 800 MCM, (11) #2/0 GND	

**FOR CUSTOM LUG SIZES, SPECIFY WHEN PLACING ORDER

Max Ratings

- 4000A
- 600VAC

Dimensions & Est. Weights

GENERATOR / LOAD BANK

- 72"H x 36"W x 30"D (1200A) **520LB**
- 78"H x 45"W x 38"D (2800A) **600LB**
- 78"H x 60"W x 38"D (3200A) **1560LB**
- 90"H x 100"W x 36"D (4000A) **2200LB**

GENERATOR & LOAD BANK - DUAL PURPOSE

- 72"H x 36"W x 30"D (1200A) **520LB**
- 78"H x 60"W x 38"D (2000A) **1270LB**
- 90"H x 75"W x 30"D (3200A) **1610LB**
- 90"H x 100"W x 36"D (4000A) **2200LB**