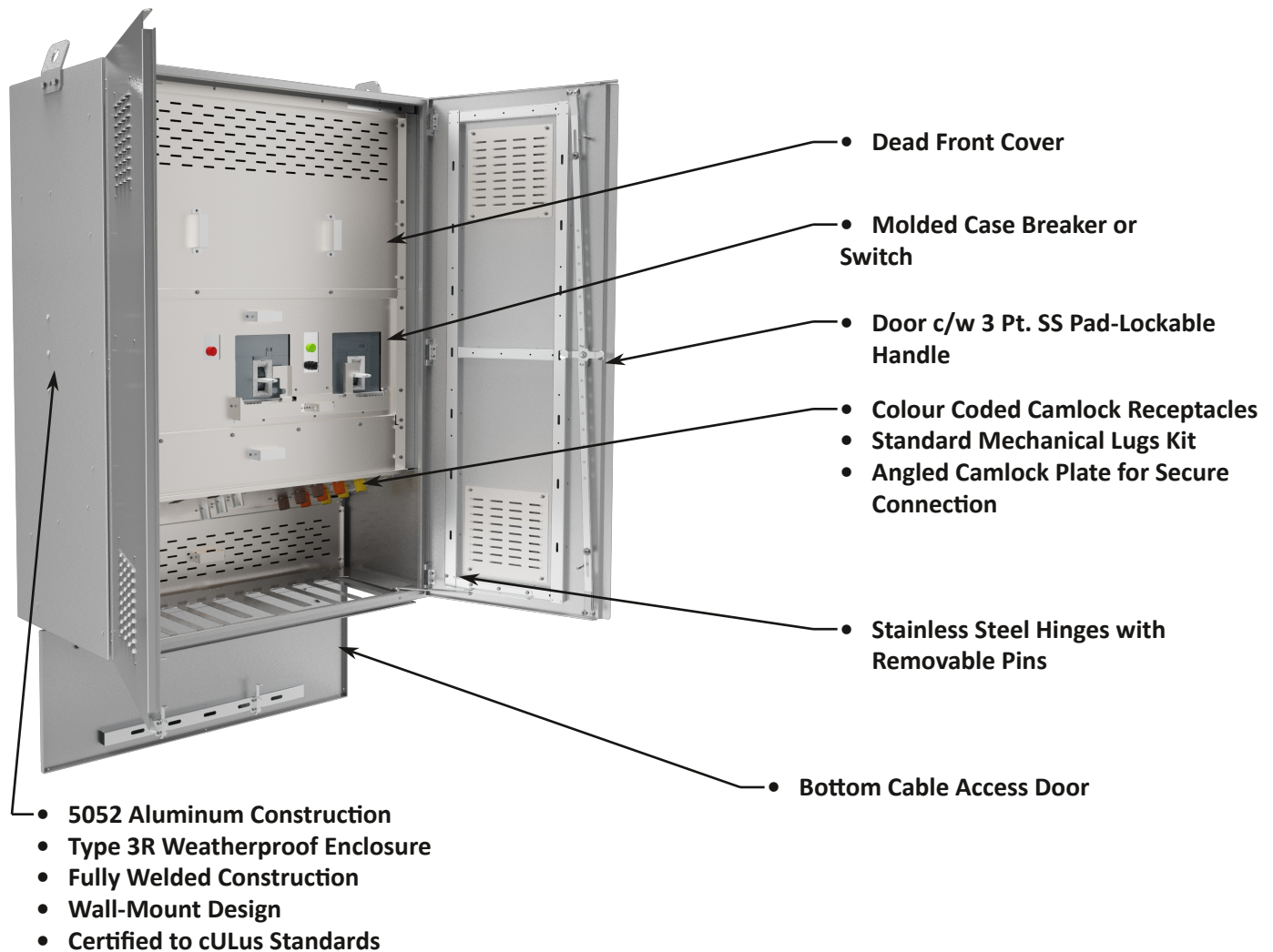
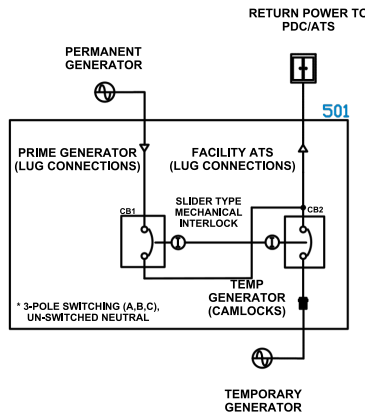


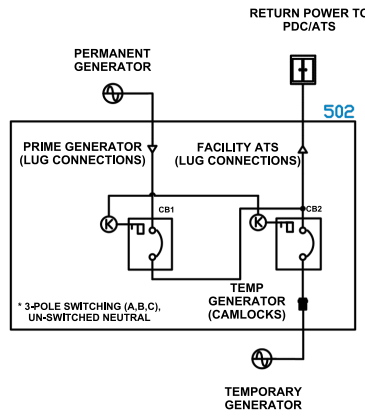
The FFCC-C3 Series Connection Cabinets provide quick connections to mobile generators or load banks while also offering overcurrent protection. Units come equipped with two molded case breakers or switches. Units come complete with colour coded camlock receptacles allowing for easy connection and can also be assembled for service entrance applications. Assemblies are available with up to 1200A mains and are certified to cULus standards.



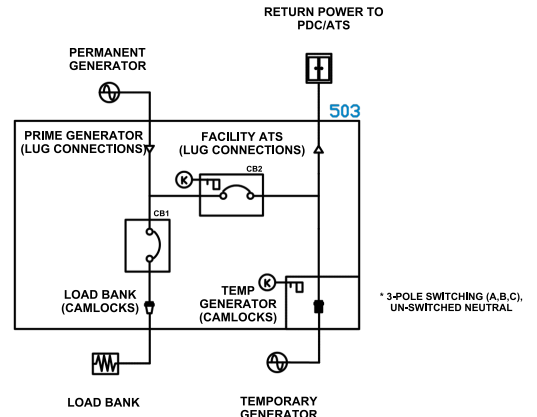
One-Line Diagram



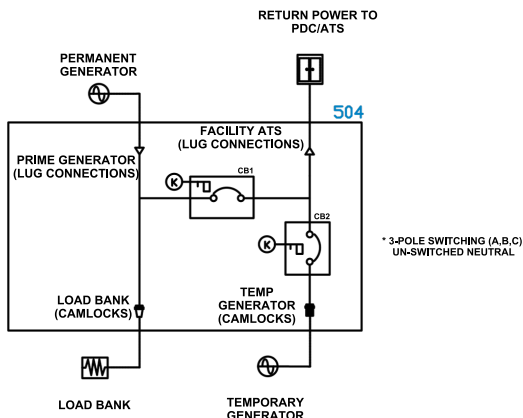
DUAL BREAKER DOCKING STATION - TEMPORARY GENERATOR CONNECTION WITH SLIDER TYPE INTERLOCKED CIRCUIT BREAKERS. CONFIG 1



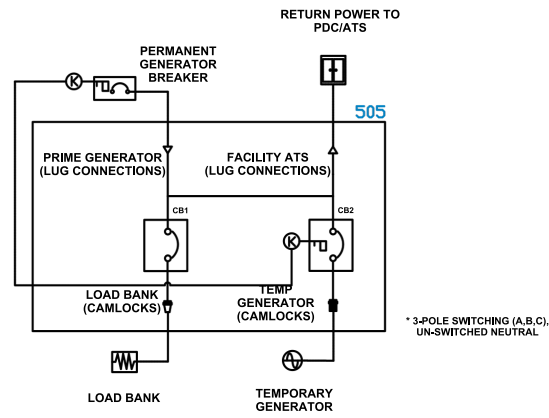
DUAL BREAKER DOCKING STATION - TEMPORARY GENERATOR CONNECTION WITH KIRK KEY INTERLOCKED CIRCUIT BREAKERS. CONFIG 2



DUAL BREAKER DOCKING STATION - TEMPORARY GENERATOR CONNECTION AND LOAD BANK TESTING. PERMANENT GENERATOR BREAKER (CB2) KIRK KEY INTERLOCKED WITH PORTABLE GENERATOR CAMLOCK COVER



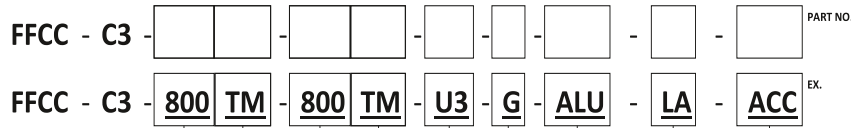
DUAL BREAKER DOCKING STATION - TEMPORARY GENERATOR CONNECTION AND LOAD BANK TESTING. WITH KIRK KEY INTERLOCKED BREAKER.



DUAL BREAKER DOCKING STATION - TEMPORARY GENERATOR CONNECTION AND LOAD BANK TESTING. TEMPORARY GENERATOR BREAKER (CB2) KIRK KEY INTERLOCKED UPSTREAM CLIENT PERMANENT GENERATOR BREAKER.



Product Selector



AMPS
100
200
400
600
800
1200

C.B. TRIP UNIT
TM = THERMAL MAGNETIC
LS = ELECTRONIC LS
LSI = ELECTRONIC LSI
LSG = ELECTRONIC LSG
LSIG = ELECTRONIC LSIG
KS = MOLDED CASE SWITCH

AMPS
100
200
400
600
800
1200

C.B. TRIP UNIT
TM = THERMAL MAGNETIC
LS = ELECTRONIC LS
LSI = ELECTRONIC LSI
LSG = ELECTRONIC LSG
LSIG = ELECTRONIC LSIG
KS = MOLDED CASE SWITCH

ACCESSORIES (ACC)
AXX = 400A CAMLOCK CABLE SET (XX = FT)
AA = CAMLOCK SNAP COVERS
AB = CUSTOM POWDER COAT COLOUR
AC = HEATER W/ STAT
AD = GFCI RECEPTACLE
AE = KEY INTERLOCK
AF = TERMINAL STRIP
AF2 = TWO WIRE START CONTACTS
AG = PHASE SEQUENCE MONITOR
AH = POWER METER
AI = MICRO-SWITCH
LEG = LEG STAND SET
SH24 = SHUNT TRIP 24V
SH120 = SHUNT TRIP 120V
BE= BOTTOM ENTRY
ERMS = ENERGY REDUCTION MAINTENANCE SETTING
SER = SERVICE ENTRANCE ACCESS
LDR = LOAD DUMP RECEPTACLE
SPD = SURGE SUPPRESSION DEVICE
VI = VOLTAGE INDICATOR
2WSDS = TWO WIRE START CONTACTS C/W SOURCE DESTINATION SWITCH
BLANK = NONE

FOR MORE DETAILS CONTACT US

USA					
VOLTAGE	CAMLOCK COLOUR GUIDE				
	A	B	C	N	G
U1 = 120/240V (1PH + N + G)	BLK	RED		WHT	GRN
U2 = 240V (3PH + G)	BLK	RED	BLU		GRN
U3 = 208Y/120V (3PH + N + G)	BLK	RED	BLU	WHT	GRN
U4 = 480Y/277V (3PH + N + G)	BRN	ORG	YEL	WHT	GRN
U5 = 480V (3PH + G)	BRN	ORG	YEL		GRN

CONNECTION
G = PORTABLE GENERATOR (INLET)
L = LOAD BANK (OUTLET)
GL = PORTABLE GENERATOR (INLET) + LOAD BANK (OUTLET)

ENCLOSURE CONSTRUCTION
ALU = 5052 ALUMINUM
304 = 304 STAINLESS STEEL
316 = 316 STAINLESS STEEL

CANADA					
VOLTAGE	CAMLOCK COLOUR GUIDE				
	A	B	C	N	G
C1 = 120/240V (1PH + N + G)	RED	BLK		WHT	GRN
C2 = 240V (3PH + G)	RED	BLK	BLU		GRN
C3 = 208Y/120V (3PH + N + G)	RED	BLK	BLU	WHT	GRN
CU4 = 480Y/277V (3PH + N + G)	RED	BLK	BLU	WHT	GRN
CU5 = 480V (3PH + G)	RED	BLK	BLU		GRN
C4 = 600Y/347V (3PH + N + G)	RED	BLK	BLU	WHT	GRN
C5 = 600V (3PH + G)	RED	BLK	BLU		GRN

LUG CONFIGURATIONS (PER POLE)			
AMPS	OPTION LA	OPTION LB	OPTION CL (CUSTOM LUGS)
100A	(1) #6 AWG - 250MCM, (1) #2 GND	(1) #4 AWG - 600MCM, (1) #1/0 GND	
200A	(1) #6 AWG - 250MCM, (1) #2 GND	(1) #4 AWG - 600MCM, (1) #1/0 GND	
400A	(2) #6 AWG - 250MCM, (2) #2 GND	(1) #4 AWG - 600MCM, (1) #1/0 GND	CONSULT FACTORY
600A	(2) #4 AWG - 600MCM, (2) #1/0 GND	(2) 300 - 800 MCM, (2) #2/0 GND	
800A	(3) #4 AWG - 600MCM, (3) #1/0 GND	(2) 300 - 800 MCM, (2) #2/0 GND	
1200A	(4) #4 AWG - 600MCM, (4) #1/0 GND	(3) 300 - 800 MCM, (3) #2/0 GND	

**FOR CUSTOM LUG SIZES, SPECIFY WHEN PLACING ORDER

Max Ratings

- 1200A
- 600VAC

Dimensions & Est. Weights

GENERATOR / LOAD BANK

- 42"H x 30"W x 16"D (100A - 400A) 210LB
- 60"H x 36"W x 24"D (600A) 530LB
- 68"H x 48"W x 24"D (800A - 1200A) 710LB

GENERATOR & LOAD BANK - DUAL PURPOSE

- 42"H x 36"W x 16"D (250A & Below) 270LB
- 60"H x 36"W x 24"D (400A) 375LB
- 68"H x 48"W x 24"D (800A - 1200A) 710LB

Bottom Entry

Consult factory for sizing