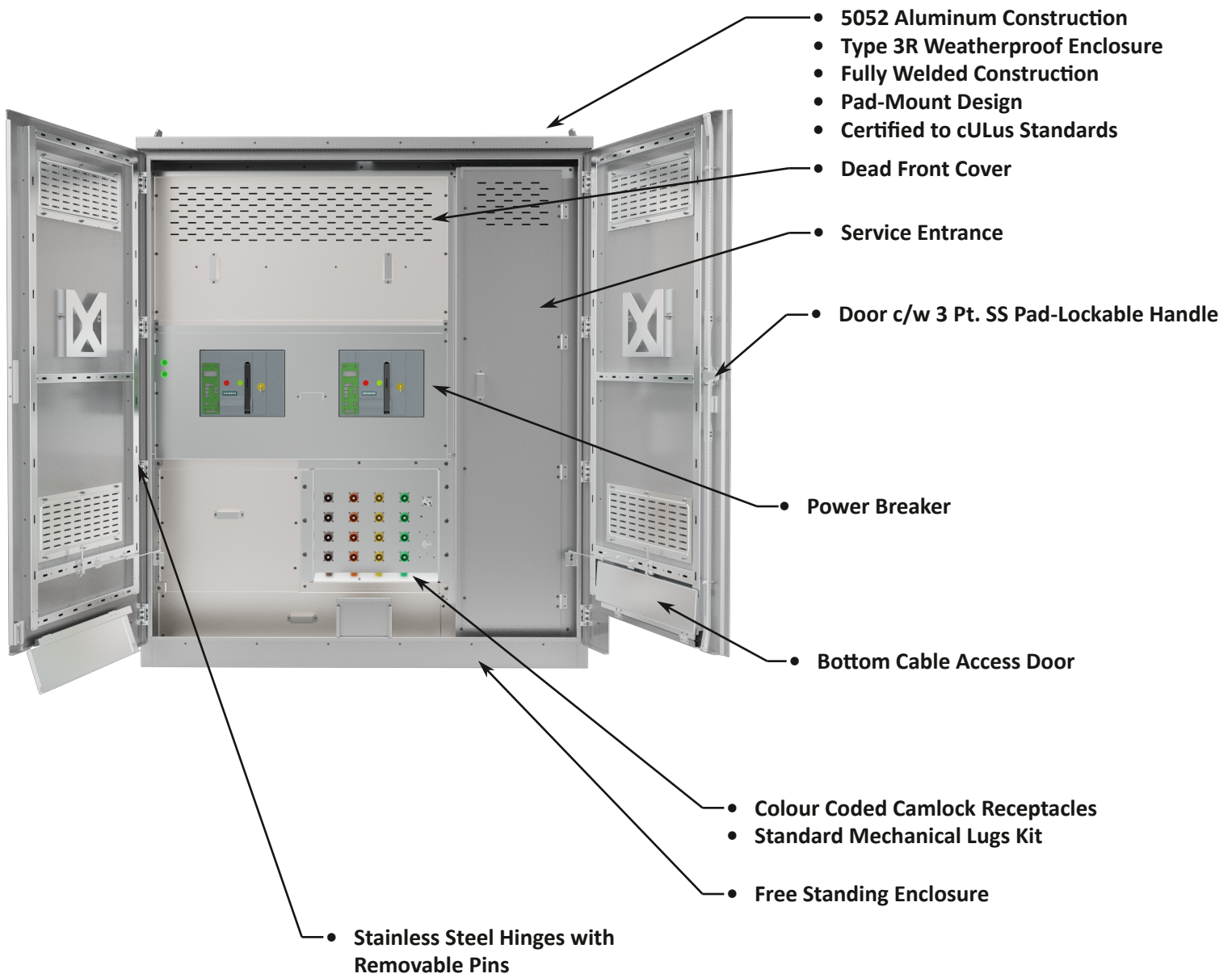
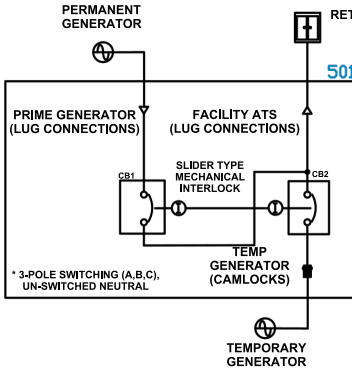


# FFCC-P2 Series (Dual)

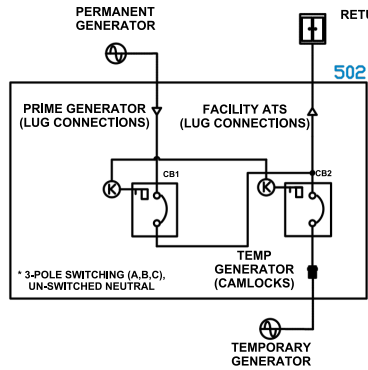
The FFCC-P2 Series Connection Cabinets offer quick connection to a mobile generator or load bank. They can be penetrated from the top, bottom or sides to allow for facility wiring. These units are equipped with colour coded camlock receptacles allowing for easy connection and also two molded case breakers or switches. Additionally, units can be assembled for service entrance applications. Assemblies are available with up to 4000A mains and are certified to cULus standards.



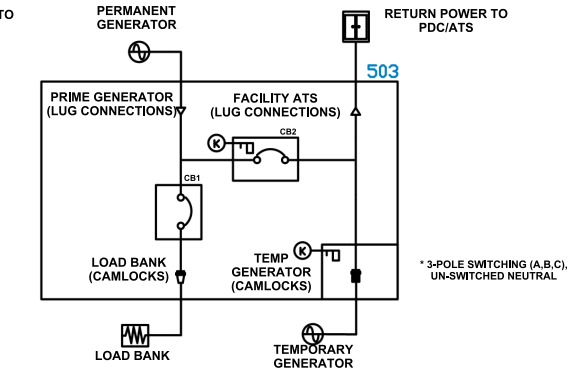
## One-Line Diagram



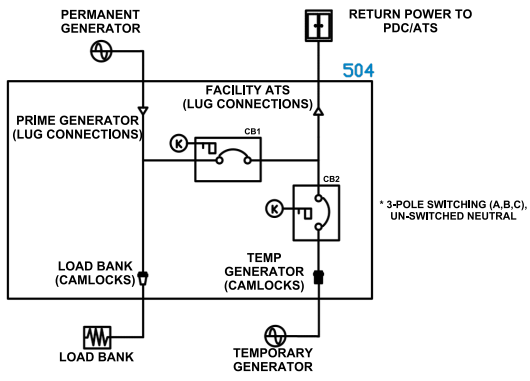
DUAL BREAKER DOCKING STATION - TEMPORARY GENERATOR CONNECTION WITH SLIDER TYPE INTERLOCKED CIRCUIT BREAKERS. CONFIG 1



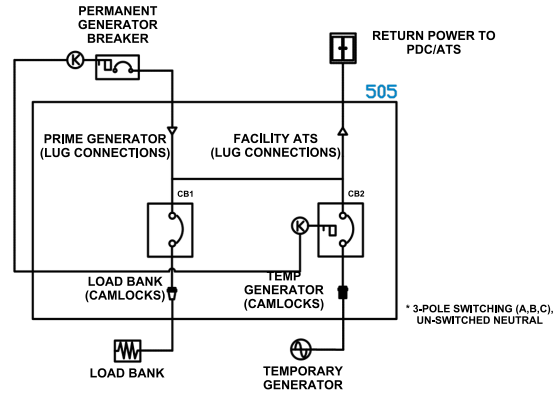
DUAL BREAKER DOCKING STATION - TEMPORARY GENERATOR CONNECTION WITH KIRK KEY INTERLOCKED CIRCUIT BREAKERS. CONFIG 2



DUAL BREAKER DOCKING STATION - TEMPORARY GENERATOR CONNECTION AND LOAD BANK TESTING, PERMANENT GENERATOR BREAKER (CB2) KIRK KEY INTERLOCKED WITH PORTABLE GENERATOR CAMLOCK COVER



DUAL BREAKER DOCKING STATION - TEMPORARY GENERATOR CONNECTION AND LOAD BANK TESTING, WITH KIRK KEY INTERLOCKED BREAKER.



DUAL BREAKER DOCKING STATION - TEMPORARY GENERATOR CONNECTION AND LOAD BANK TESTING, TEMPORARY GENERATOR BREAKER (CB2) KIRK KEY INTERLOCKED UPSTREAM CLIENT PERMANENT GENERATOR BREAKER.



## Product Selector

FFCC - P2 - [ ] - [ ] - [ ] - [ ] - [ ] - [ ] - [ ] - [ ] PART NO.

FFCC - P2 - **3000** **TM** - **3000** **TM** - **U3** - **G** - **ALU** - **LA** - **ACC** EX.

**AMPS**

1200
1600
2000
2500
3000
3500
4000

**C.B. TRIP UNIT**

TM = THERMAL MAGNETIC
LS = ELECTRONIC LS
LSJ = ELECTRONIC LSJ
LSG = ELECTRONIC LSG
LSIG = ELECTRONIC LSIG
KS = MOLDED CASE SWITCH

**AMPS**

1200
1600
2000
2500
3000
3500
4000

**C.B. TRIP UNIT**

TM = THERMAL MAGNETIC
LS = ELECTRONIC LS
LSI = ELECTRONIC LSI
LSG = ELECTRONIC LSG
LSIG = ELECTRONIC LSIG
KS = MOLDED CASE SWITCH

**ACCESSORIES (ACC)**

AXX = 400A CAMLOCK CABLE SET (XX = FT)
AA = CAMLOCK SNAP COVERS
AB = CUSTOM POWDER COAT COLOUR
AC = HEATER W/ STAT
AD = GFCI RECEPTACLE
AE = KEY INTERLOCK
AF = TERMINAL STRIP
AF2 = TWO WIRE START CONTACTS
AG = PHASE SEQUENCE MONITOR
AH = POWER METER
SH24 = SHUNT TRIP 24V
SH120 = SHUNT TRIP 120V
AI = MICRO-SWITCH
ERMS = ENERGY REDUCTION MAINTENANCE SETTING
LDR = LOAD DUMP RECEPTACLE
SPD = SURGE SUPPRESSION DEVICE
SER = SERVICE ENTRANCE ACCESS
VI = VOLTAGE INDICATOR
2WSDS = TWO WIRE START CONTACTS C/W SOURCE DESTINATION SWITCH
BLANK = NONE

FOR MORE DETAILS CONTACT US

**USA**

VOLTAGE	CAMLOCK COLOUR GUIDE				
	A	B	C	N	G
U1 = 120/240V (1PH + N + G)	BLK	RED		WHT	GRN
U2 = 240V (3PH + G)	BLK	RED	BLU		GRN
U3 = 208Y/120V (3PH + N + G)	BLK	RED	BLU	WHT	GRN
U4 = 480Y/277V (3PH + N + G)	BRN	ORG	YEL	WHT	GRN
U5 = 480V (3PH + G)	BRN	ORG	YEL		GRN

**CANADA**

VOLTAGE	CAMLOCK COLOUR GUIDE				
	A	B	C	N	G
C1 = 120/240V (1PH + N + G)	RED	BLK		WHT	GRN
C2 = 240V (3PH + G)	RED	BLK	BLU		GRN
C3 = 208Y/120V (3PH + N + G)	RED	BLK	BLU	WHT	GRN
CU4 = 480V/277V (3PH + N + G)	RED	BLK	BLU	WHT	GRN
CU5 = 480V (3PH + G)	RED	BLK	BLU		GRN
C4 = 600Y/347V (3PH + N + G)	RED	BLK	BLU	WHT	GRN
C5 = 600V (3PH + G)	RED	BLK	BLU		GRN

**CONNECTION**

G = PORTABLE GENERATOR (INLET)
L = LOAD BANK (OUTLET)
GL = PORTABLE GENERATOR (INLET) + LOAD BANK (OUTLET)

**ENCLOSURE CONSTRUCTION**

ALU = 5052 ALUMINUM
304 = 304 STAINLESS STEEL
316 = 316 STAINLESS STEEL

**LUG CONFIGURATIONS (PER POLE)**

AMPS	OPTION LA	OPTION LB	OPTION CL (CUSTOM LUGS)
1200A	(4) #4 AWG - 600MCM, (4) #1/0 GND	(3) 300 - 800 MCM, (3) #2/0 GND	
1600A	(5) #4 AWG - 600MCM, (5) #1/0 GND	(4) 300 - 800 MCM, (4) #2/0 GND	
2000A	(6) #4 AWG - 600MCM, (6) #1/0 GND	(5) 300 - 800 MCM, (5) #2/0 GND	
2500A	(9) #4 AWG - 600MCM, (9) #1/0 GND	(8) 300 - 800 MCM, (8) #2/0 GND	
3000A	(9) #4 AWG - 600MCM, (9) #1/0 GND	(8) 300 - 800 MCM, (8) #2/0 GND	
3500A	(11) #4 AWG - 600MCM, (11) #1/0 GND	(10) 300 - 800 MCM, (10) #2/0 GND	
4000A	(12) #4 AWG - 600MCM, (12) #1/0 GND	(11) 300 - 800 MCM, (11) #2/0 GND	

### Max Ratings

- 4000A
- 600VAC

### Dimensions & Est. Weights

#### GENERATOR / LOAD BANK

- 78"H x 45"W x 38"D (1200A) **710LB**
- 78"H x 60"W x 38"D (1200A - 1600A) **1270LB**
- 90"H x 75"W x 30"D (2000A) **1520LB**
- 90"H x 100"W x 36"D (3000A - 4000A) **2332LB**

#### GENERATOR & LOAD BANK - DUAL PURPOSE

- 78"H x 45"W x 38"D (1200A) **850LB**
- 90"H x 75"W x 30"D (1600A - 2000A) **1520LB**
- 90"H x 100"W x 36"D (3000A) **2332LB**
- 90"H x 140"W x 36"D (4000A) **4000LB**