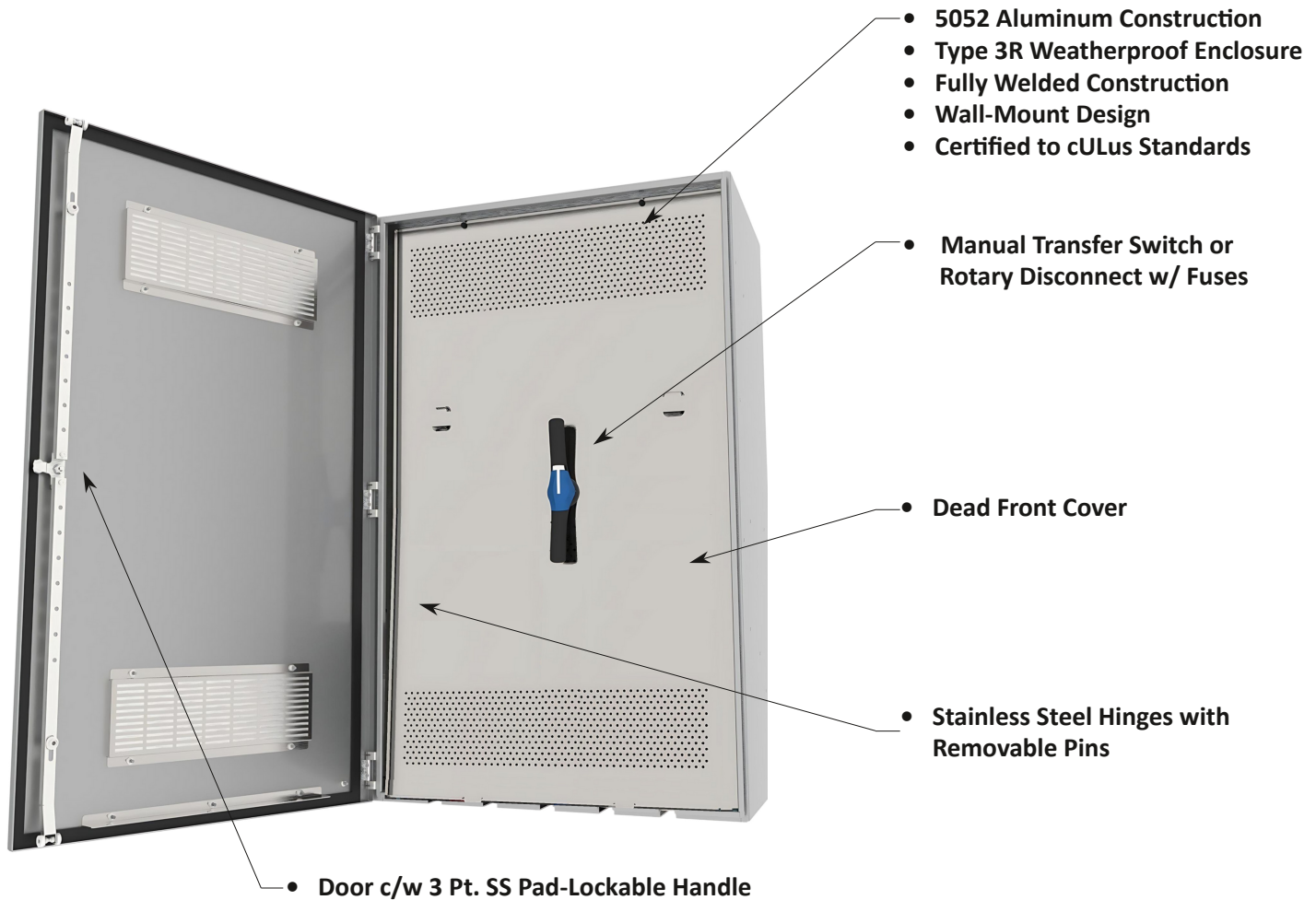


# Connection Cabinets

## FFTS-M2F Series

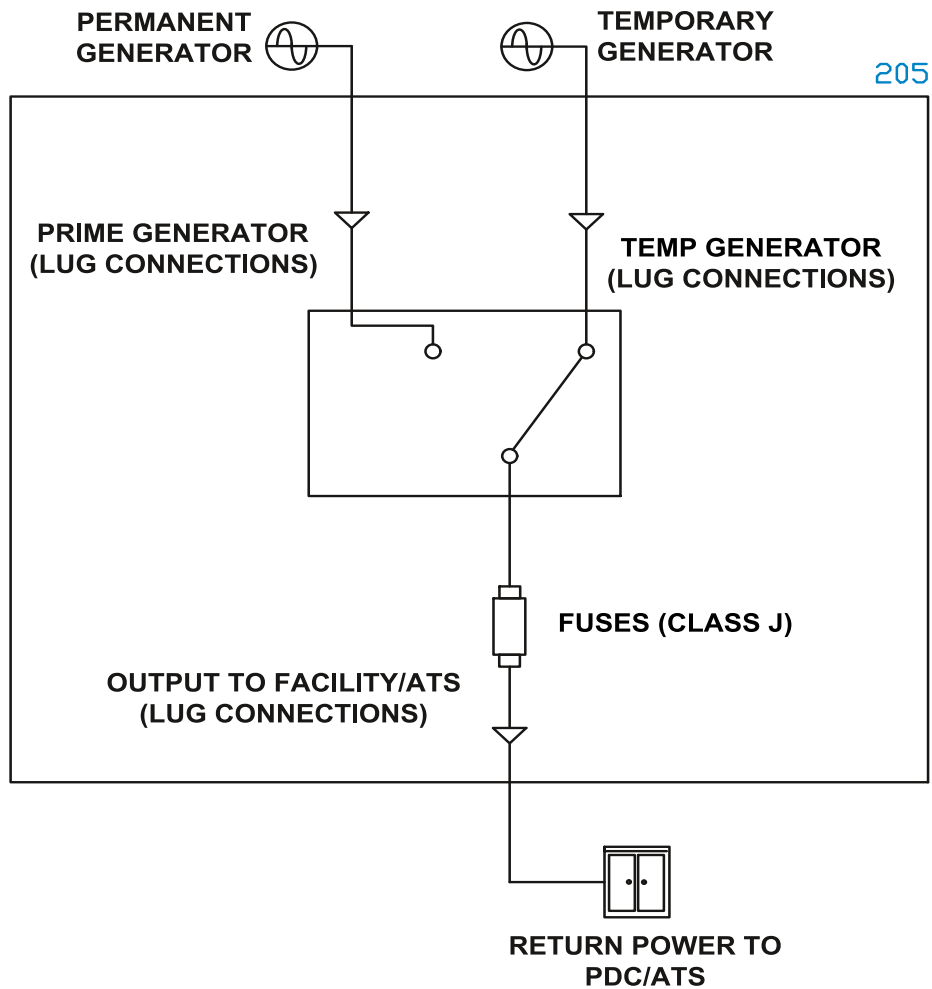


The FFTS-M2F Series Connection Cabinets offer quick connection to a mobile generator, allowing temporary power to be received quickly and safely. These units are equipped with a fused manual transfer switch and are available with optional indicating lights, providing a quick visual status on normal/emergency supply selection. Additionally, these units are equipped with mechanical lugs, allowing for easy connection. Assemblies are available with up to 4000A mains and are certified to cULus standards.



Rev 3.0

One-Line Diagram



**FUSED ROTARY MANUAL  
TRANSFER SWITCH**

# Connection Cabinets

## FFTS-M2F Series



### Product Selector

FFTS - M2F -  -  -  -  -  PART NO.

FFTS - M2F - **800** - **V7** - **ALU** - **LA** - **ACC** EX.

AMPS
100
200
400
600
800
1200
1600
2000
2500
3000
3500
4000

VOLTAGE
V1 = 120/240V (1PH + N + G)
V2 = 240V (3PH + G)
V3 = 208Y/120V (3PH + N + G)
V4 = 480Y/277V (3PH + N + G)
V5 = 480V (3PH + G)
V6 = 600Y/347V (3PH + N + G)
V7 = 600V (3PH + G)

ENCLOSURE CONSTRUCTION
ALU = 5052 ALUMINUM
304 = 304 STAINLESS STEEL
316 = 316 STAINLESS STEEL

ACCESSORIES (ACC)
AXX = 400A CAMLOCK CABLE SET (XX = FT)
AB = CUSTOM POWDER COAT COLOUR
AC = HEATER W/ STAT
AF = TERMINAL STRIP
AG = PHASE SEQUENCE MONITOR
AH = POWER METER
AI = MICRO-SWITCH
BLANK = NONE

FOR MORE DETAILS CONTACT US

LUG CONFIGURATIONS (PER POLE)			
AMPS	OPTION LA	OPTION LB	OPTION CL (CUSTOM LUGS)
100A	(1) #6 AWG - 250MCM, (1) #2 GND	(1) #4 AWG - 600MCM, (1) #1/0 GND	
200A	(1) #6 AWG - 250MCM, (1) #2 GND	(1) #4 AWG - 600MCM, (1) #1/0 GND	
400A	(2) #6 AWG - 250MCM, (2) #2 GND	(1) #4 AWG - 600MCM, (1) #1/0 GND	
600A	(2) #4 AWG - 600MCM, (2) #1/0 GND	(2) 300 - 800 MCM, (2) #2/0 GND	
800A	(3) #4 AWG - 600MCM, (3) #1/0 GND	(2) 300 - 800 MCM, (2) #2/0 GND	
1200A	(4) #4 AWG - 600MCM, (4) #1/0 GND	(3) 300 - 800 MCM, (3) #2/0 GND	
1600A	(5) #4 AWG - 600MCM, (5) #1/0 GND	(4) 300 - 800 MCM, (4) #2/0 GND	CONSULT FACTORY
2000A	(6) #4 AWG - 600MCM, (6) #1/0 GND	(5) 300 - 800 MCM, (5) #2/0 GND	
2500A	(8) #4 AWG - 600MCM, (8) #1/0 GND	(6) 300 - 800 MCM, (6) #2/0 GND	
3000A	(9) #4 AWG - 600MCM, (9) #1/0 GND	(8) 300 - 800 MCM, (8) #2/0 GND	
3500A	(11) #4 AWG - 600MCM, (11) #1/0 GND	(10) 300 - 800 MCM, (10) #2/0 GND	
4000A	(12) #4 AWG - 600MCM, (12) #1/0 GND	(11) 300 - 800 MCM, (11) #2/0 GND	

\*\*FOR CUSTOM LUG SIZES, SPECIFY WHEN PLACING ORDER

### Max Ratings

- 4000A
- 600VAC

### Dimensions & Est. Weights

• 36"H x 24"W x 12"D (200A)	3P&4P	TBD
• 48"H x 36"W x 20"D (201A - 400A)	3P&4P	TBD
• 60"H x 36"W x 24"D (401A - 800A)	3P&4P	380LB
• 72"H x 36"W x 30"D (801A - 1200A)	3P&4P	TBD
• 90"H x 36"W x 30"D (1201A - 1600A)	3P&4P	TBD
• 90"H x 75"W x 30"D (1600A - 3000A) BoltSW	3P	1400LBS
• 90"H x 100"W x 36"D (1600A - 3000A) BoltSW	4P	TBD
• 90"H x 100"W x 36"D (4000A) BoltSW	3P	TBD