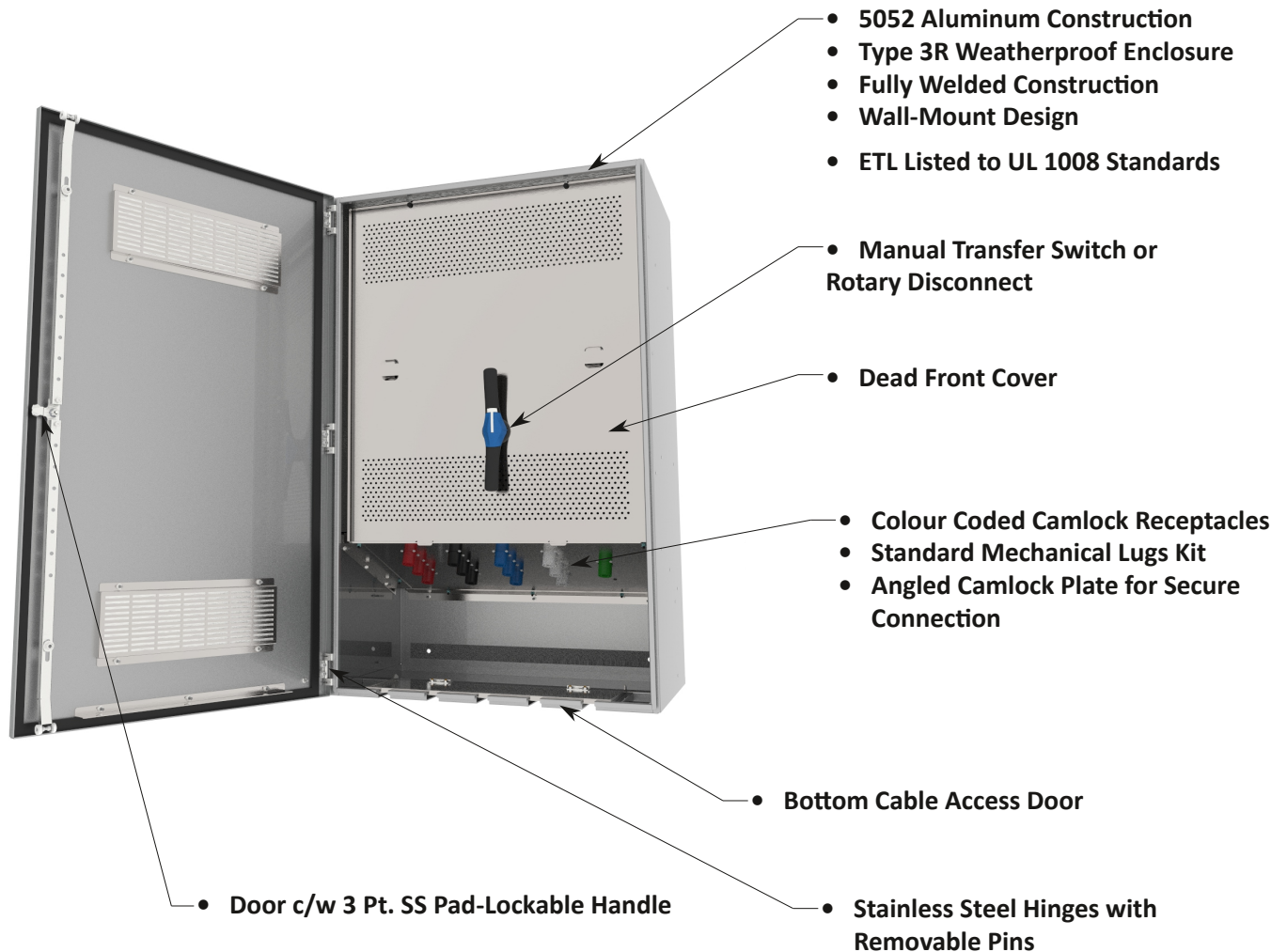


# Connection Cabinets

## FFCC-C2 Series



The FFCC-C2 Series Connection Cabinets offer quick connection to a mobile generator or load bank. These units are equipped with a manual transfer switch enabling switching to a mobile generator or load bank. Units can also be specified with a rotary disconnect. Units come complete with colour coded camlock receptacles allowing for easy connection. Assemblies are available with up to 1200A mains and ETL Listed to UL 1008 Standards, and IBC Seismic Certified.



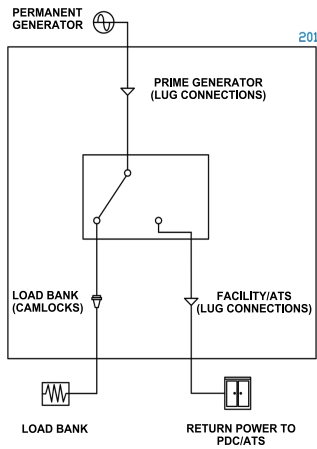
Rev 3.0

# Connection Cabinets

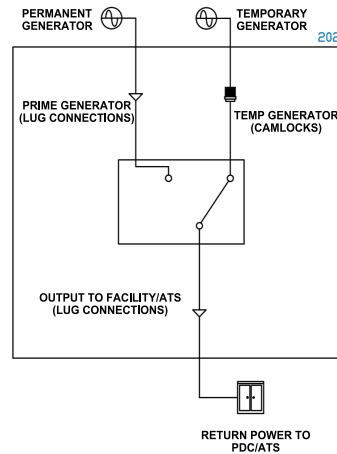
## FFCC-C2 Series



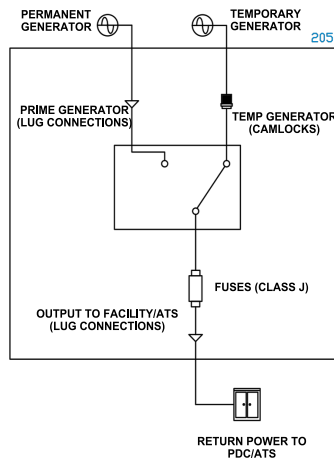
### One-Line Diagram



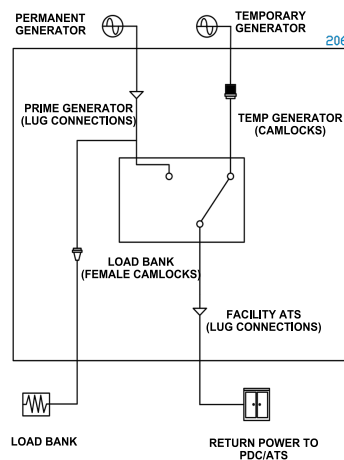
**ROTARY MANUAL TRANSFER SWITCH  
CONFIG 1**



**ROTARY MANUAL TRANSFER SWITCH  
CONFIG 2**

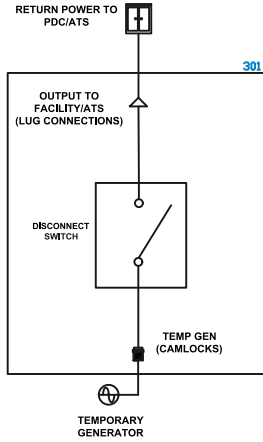


**FUSED ROTARY MANUAL  
TRANSFER SWITCH**

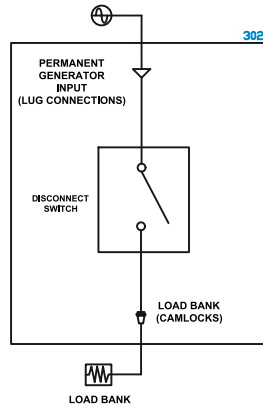


**ROTARY MANUAL TRANSFER SWITCH  
DUAL PURPOSE - LOAD BANK TESTING  
AND BACK-UP POWER SUPPLY**

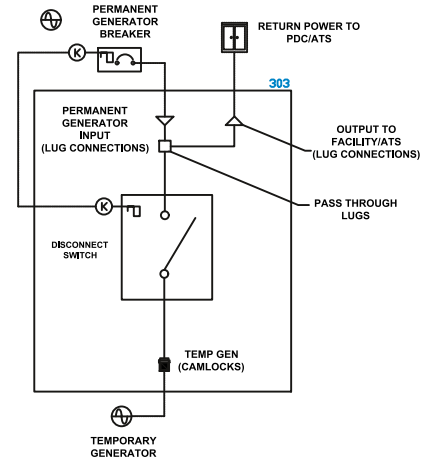
### One-Line Diagram (Continue)



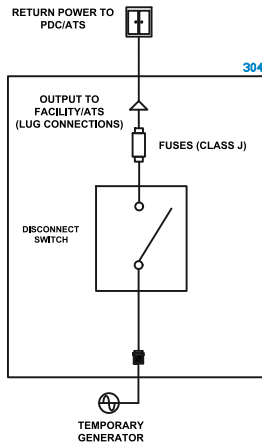
**ROTARY DISCONNECT SWITCH  
TEMPORARY GENERATOR  
CONFIGURATION**



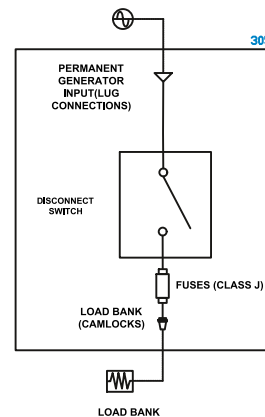
**ROTARY DISCONNECT SWITCH  
LOAD BANK  
CONFIGURATION**



**ROTARY DISCONNECT SWITCH  
TEMP. GEN. DISCONNECT KIRK KEY INTERLOCKED  
WITH UPSTREAM GENERATOR BREAKER**



**ROTARY FUSED DISCONNECT SWITCH  
TEMPORARY GENERATOR  
CONFIGURATION**



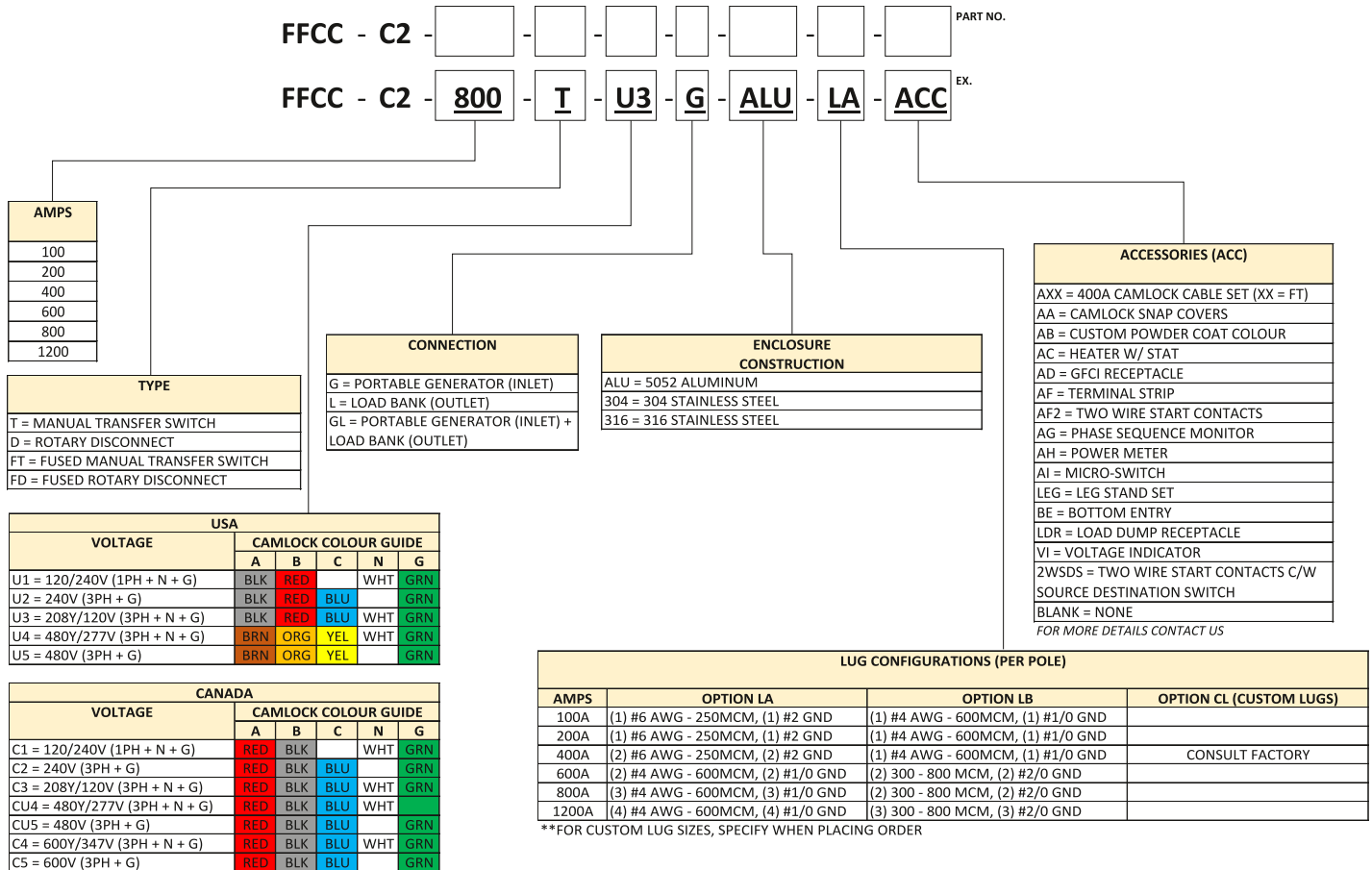
**ROTARY FUSED DISCONNECT SWITCH  
LOAD BANK  
CONFIGURATION**

# Connection Cabinets

## FFCC-C2 Series



### Product Selector



### Max Ratings

- 1200A
- 600VAC

### Dimensions & Est. Weights

#### MTS / DISCONNECT (G/L)

- 36"H x 30"W x 16"D (100A - 200A) 100lb
- 42"H x 30"W x 16"D (200A - 400A) 210LB
- 60"H x 36"W x 24"D (600A - 1200A) 530LB

#### FUSED MTS (G/L)

- 36"H x 30"W x 16"D (100A) 100LB
- 42"H x 30"W x 16"D (260A) 210LB
- 60"H x 36"W x 24"D (400A - 800A) 530LB
- 72"H x 36"W x 30"D (1000A - 1200A) 710LB

#### FUSED DISCONNECT (G/L)

- 36"H x 30"W x 16"D (100A) 100LB
- 42"H x 30"W x 16"D (400A) 210LB
- 60"H x 36"W x 24"D (1000A - 1200A) 530LB

#### MTS / DISCONNECT (G&L) - DUAL PURPOSE

- 42"H x 30"W x 16"D (100A - 200A) TBD
- 60"H x 36"W x 24"D (200A - 600A) TBD
- 72"H x 36"W x 30"D (600A - 800A) 520LB

#### FUSED MTS / DISCONNECT (G&L) - DUAL PURPOSE

- 42"H x 30"W x 16"D (100A) 200LB
- 60"H x 36"W x 24"D (600A) 630LB
- 72"H x 36"W x 30"D (600A - 800A) TBD

Bottom Entry - Consult factory for sizing

Rev 3.0