

CARGO SYSTEM VALVES

- 1 PUMP SUCTION VALVE
- 2 PUMP DISCHARGE VALVE
- 3 PUMP DISCHARGE CHECK VALVE
- 4 PRESSURE RELIEF VALVE
- 5 CARGO FILL VALVE
- 6 PORT & STBD HEADER VALVES
- 7 TK 1 FILL / SUCTION VALVE
- 8 TK 2 FILL / SUCTION VALVE
- 9 TK 3 FILL / SUCTION VALVE
- 10 TK 1 FILL / SUCTION VALVE
- 11 TK 2 FILL / SUCTION VALVE
- 12 TK 3 FILL / SUCTION VALVE
- 17 #1 STRIPPING VALVE
- 18 #2 STRIPPING VALVE
- 19 #3 STRIPPING VALVE
- PU PUMP
- BP BYPASS VALVE
- PB PUMP BLEED VALVE

CARGO LOADING:

- A OPEN VALVES NO.: 5, 6, 7, 8, 9, 10, 11 & 12
- B CLOSE VALVES NO.: 1, 2
- C VENT TANKS
- BP CLOSED

CARGO DISCHARGE:

- A OPEN VALVES NO.: 1, 2, 6, 7, 8, 9, 10, 11 & 12
- B CLOSE VALVES NO.: 5
- C VENT TANKS
- BP CLOSED

BARGE INFORMATION

HULL	03-2152	03-2153	03-2154	03-2155	03-2156	03-2157	03-2158	03-2159
NAME:	CBC 50	CBC 51	CBC 52	CBC 53	CBC 54	CBC 55	CBC 56	CBC 57
OFF.#	1157175	1157176	1157177	1157178	1157179	1157180	1157181	1157182
YR BUILT	2004	2004	2004	2004	2004	2004	2004	2004
HULL	03-2160	03-2161	03-2162	03-2163	04-2174	04-2175	04-2176	04-2177
NAME:	CBC 58	CBC 59	CBC 60	CBC 61	CBC 62	CBC 63	CBC 64	CBC 65
OFF.#	1157183	1157184	1157185	1157186	1157187	1157188	1157189	1157190
YR BUILT	2004	2004	2004	2004	2004	2004	2004	2004


CAPACITIES-SHORT TONS AT VARIOUS DRAFTS				
DRAFT (FT)	TOTAL (S.T.)	TANK NUMBER		
		1 (S.T.)	2 (S.T.)	3 (S.T.)
6.0	823	274	274	275
6.25	876	292	292	292
6.5	929	309	310	310
6.75	982	327	327	328
7.0	1035	345	345	345
7.25	1088	362	363	363
7.5	1142	380	381	381
7.75	1195	398	398	399
8.0	1249	416	416	417
8.25	1302	434	434	434
8.5	1356	452	452	452
8.75	1410	470	470	470
9.0	1463	487	488	488
9.25	1517	505	506	506
9.50	1571	523	524	524
LIGHT WGT SHORT TON 407	MAX CAPACITY – BBL (100%)			
	10755	3599	3578	3578

SPECIAL FEATURES:

1. CARGO PUMP: 2100 GPM – 237 TDH 1800 RPM 10" SUCTION 8" DISCHARGE
2. CARGO PUMP ENGINE: CUMMINS 6CTA
3. COMMON VENT HEADER W/ RETURN LINE
4. CHANNEL STEAM COILS BELOW TANK

BUILDER: JEFFBOAT

CANAL BARGE COMPANY, INC.

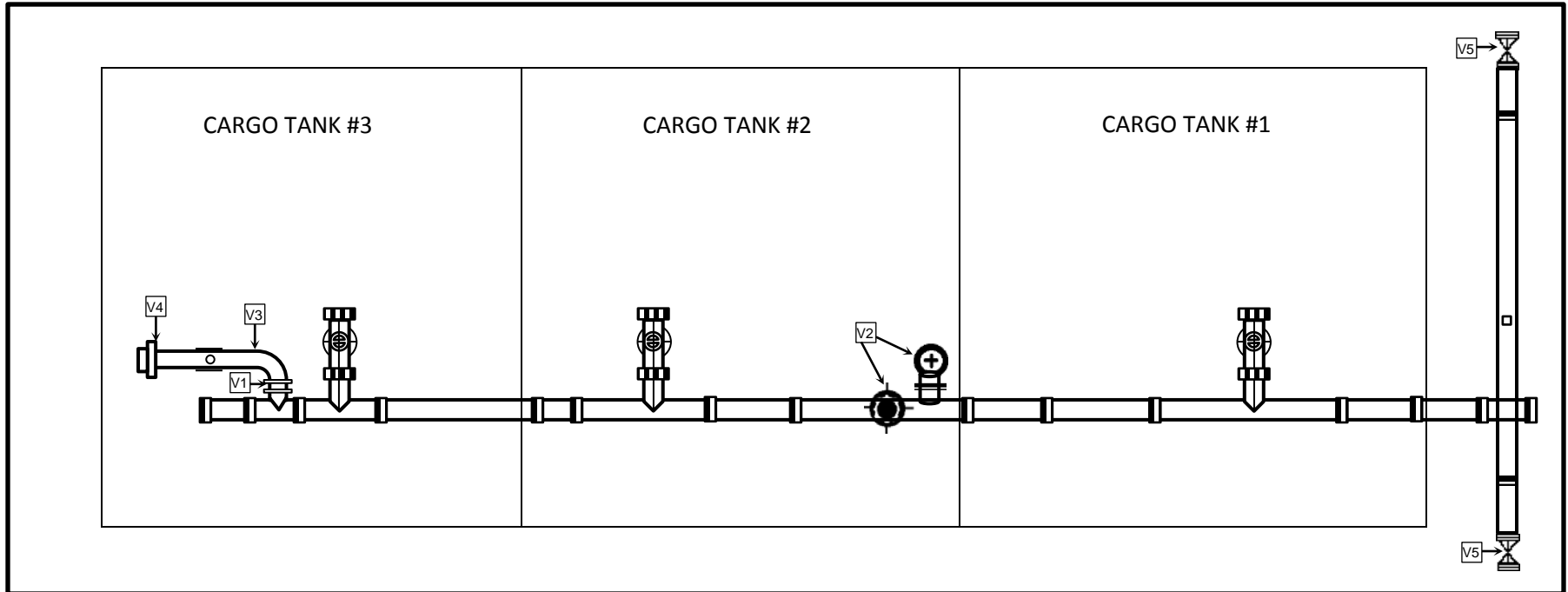


200'-0" X 35'-0" X 12'-6" DOUBLE SKIN TANK BARGE
CARGO PIPING DIAGRAM

SCALE:	DATE:
	09/05/2012

STERN

BOW



VAPOR SYSTEM

- V1 VAPOR STACK VALVE
- V2 PRESS/VACCUM VALVE
- V3 VENT STACK
- V4 RAIN CAP
- V5 VAPOR HEADER VALVE

BARGE INFORMATION

HULL	04-2174	04-2175	04-2176	04-2177	04-2178	04-2179
NAME:	CBC 62	CBC 63	CBC 64	CBC 65	CBC 66	CBC 67
OFF.#	1157187	1157188	1157189	1157190	1157191	1157192
YR BUILT	2004	2004	2004	2004	2004	2004
HULL	04-2180	04-2181	04-2182	04-2183	04-2184	04-2185
NAME:	CBC 68	CBC 69	CBC 70	CBC 71	CBC 72	CBC 73
OFF.#	1157193	1157194	1157195	1157196	1157197	1157198
YR BUILT	2004	2004	2004	2004	2004	2004

BUILDER: JEFFBOAT

CANAL BARGE COMPANY, INC.



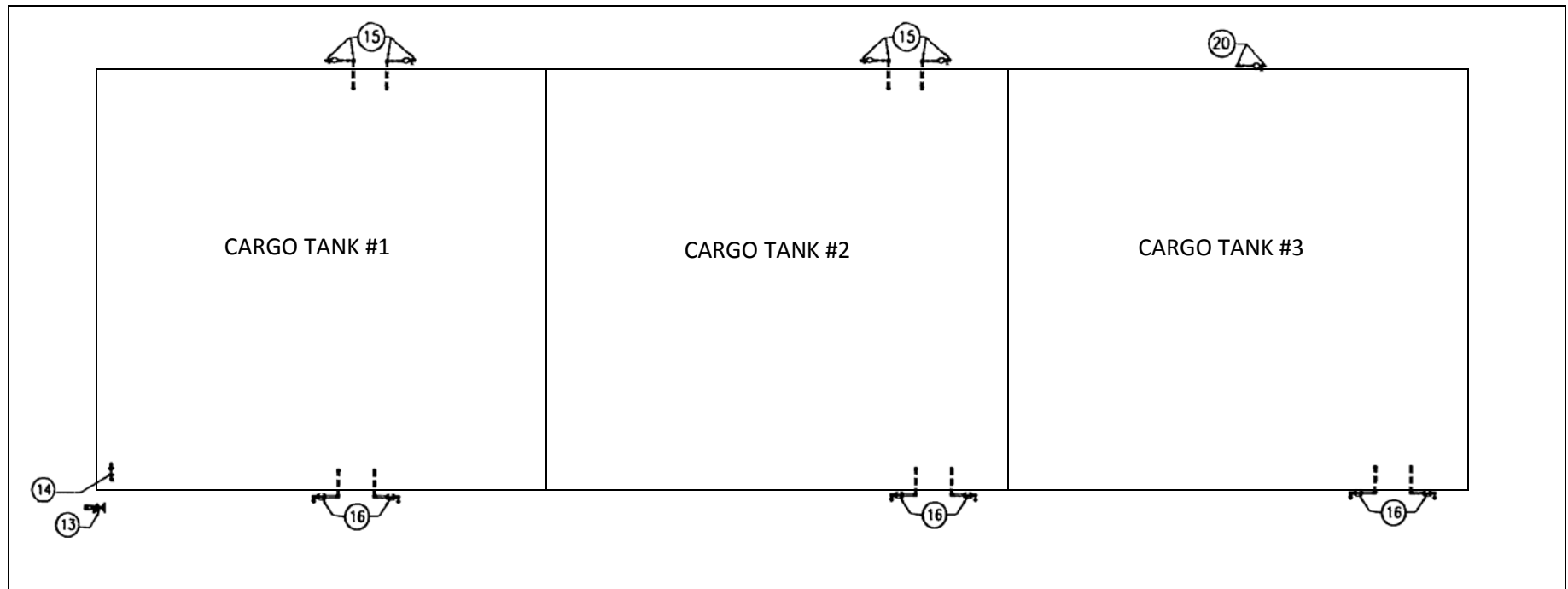
200'-0" X 35'-0" X 12'-6" DOUBLE SKIN TANK BARGE

VAPOR PIPING DIAGRAM

SCALE:	DATE: 9/5/12

BOW

STERN



STEAM SYSTEM VALVES

- 13 STEAM SUPPLY SHORE CONNECTION
- 14 STEAM SUPPLY TO PUMPWELL
- 15 STEAM CONDENSATE RETURN VALVE
- 16 STEAM SUPPLY VALVE
- 20 STEAM CONDENSATE RETURN FROM PUMPWELL

BARGE INFORMATION

HULL	04-2174	04-2175	04-2176	04-2177	04-2178	04-2179
NAME:	CBC 62	CBC 63	CBC 64	CBC 65	CBC 66	CBC 67
OFF.#	1157187	1157188	1157189	1157190	1157191	1157192
YR BUILT	2004	2004	2004	2004	2004	2004
HULL	04-2180	04-2181	04-2182	04-2183	04-2184	04-2185
NAME:	CBC 68	CBC 69	CBC 70	CBC 71	CBC 72	CBC 73
OFF.#	1157193	1157194	1157195	1157196	1157197	1157198
YR BUILT	2004	2004	2004	2004	2004	2004

BUILDER: JEFFBOAT

CANAL BARGE COMPANY, INC.



200'-0" X 35'-0" X 12'-6" DOUBLE SKIN TANK BARGE

STEAM PIPING DIAGRAM

SCALE:	DATE: 9/5/12	