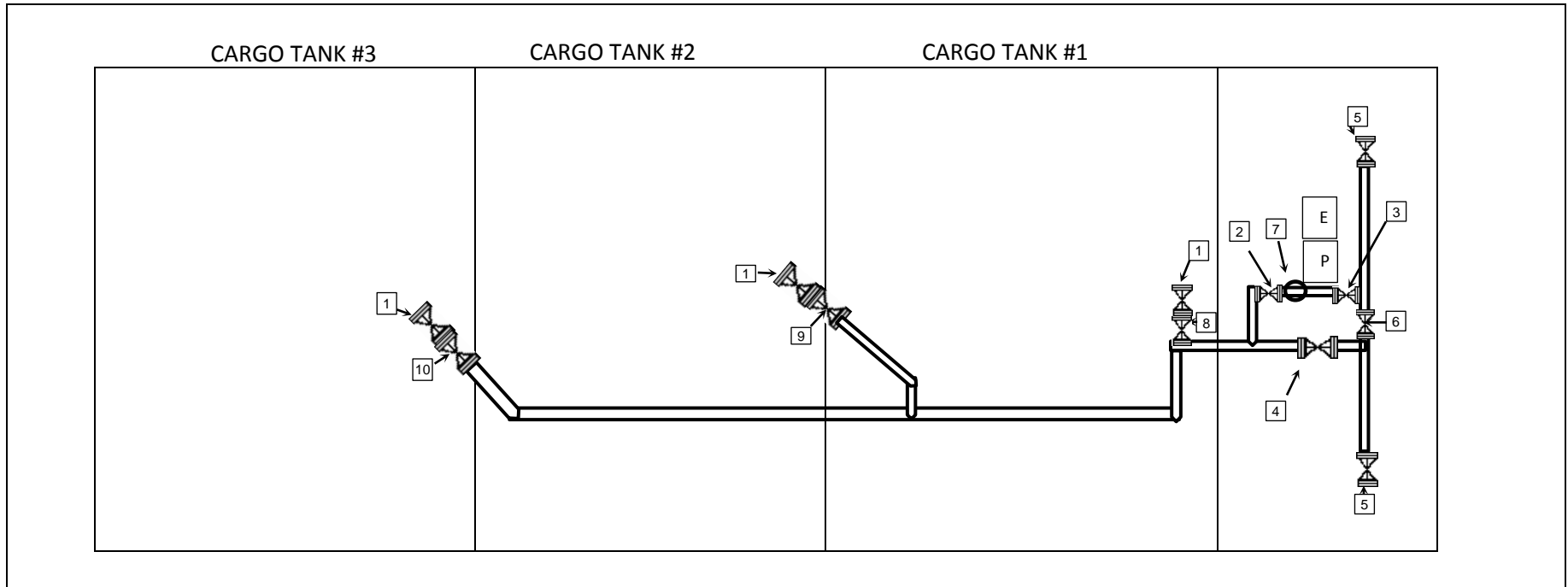


STERN

BOW



**CARGO LOADING**

- A. OPEN VALVES NO.: 1, 4, 5, 6, 8, 9, 10
- B. CLOSE VALVES NO.: 2,3

**CARGO DISCHARGING**

- A. OPEN VALVES NO.: 1, 2, 3, 5, 6, 8, 9, 10
- B. CLOSE VALVE NO.: 4

**BARGE INFORMATION**


HULL	298	301	299	302
NAME:	<b>CBC 86</b>	<b>CBC 87</b>	<b>CBC 88</b>	<b>CBC 89</b>
OFF.#	32416	34039	33150	34354
YR BUILT	1991	1991	1991	1991

**CARGO SYSTEM VALVES**

- 1. TANK VALVE
- 2. PUMP SUCTION VALVE
- 3. PUMP DISCHARGE VALVE
- 4. LOADING VALVE
- 5. HEADER VALVE
- 6. BLOCK VALVE
- 7. SUCTION STRAINER
- 8. #1 DOUBLE BLOCK VALVE
- 9. #2 DOUBLE BLOCK VALVE
- 10. #3 DOUBLE BLOCK VALVE

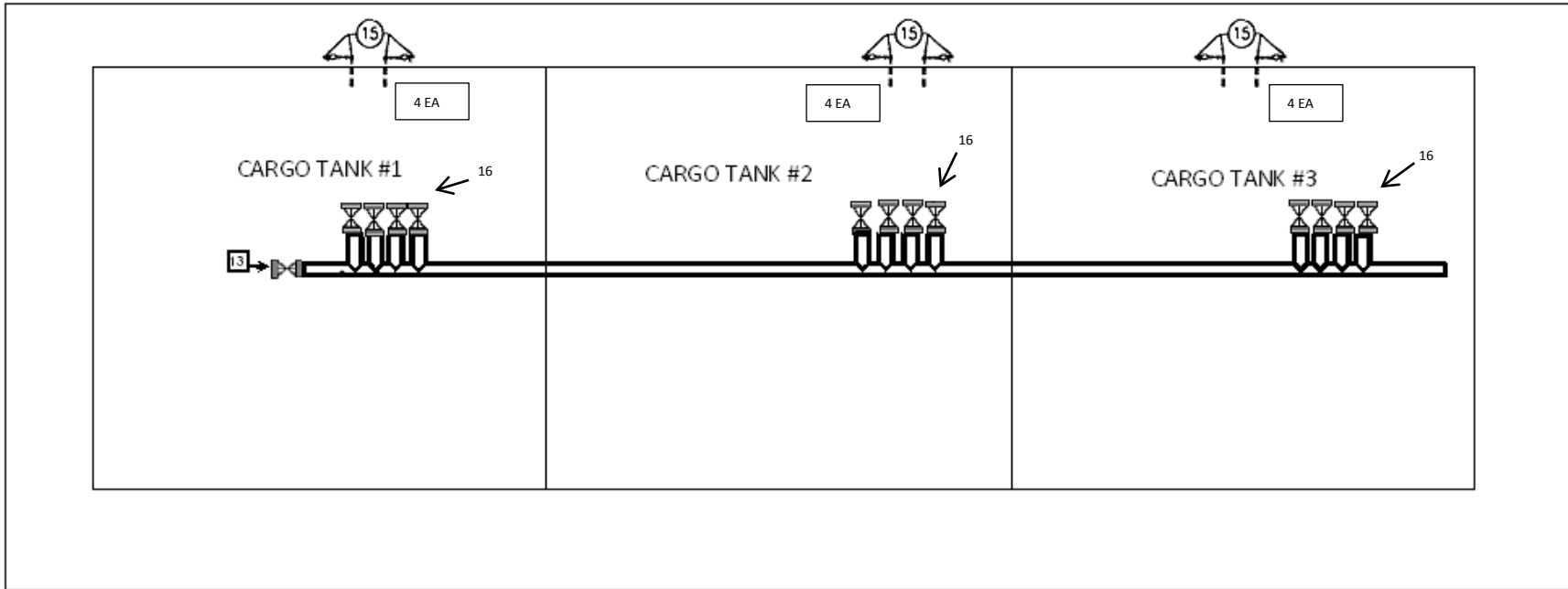
- P. PUMP
- E. ENGINE

CBC 86-89 CARGO PIPING (FINAL).docx

St. Louis, MO	
<b>CANAL BARGE COMPANY, INC.</b>	
	
<u>195'-0" X 35'-0" X 12'-6" DOUBLE SKIN TANK BARGE</u>	
<u>CARGO PIPING DIAGRAM</u>	
8/24/12	

BOW

STERN



**BARGE INFORMATION**

HULL	298	301	299	302
NAME:	<b>CBC 86</b>	<b>CBC 87</b>	<b>CBC 88</b>	<b>CBC 89</b>
OFF.#	32416	34039	33150	34354
YR BUILT	1991	1991	1991	1991

STEAM SYSTEM VALVES

- 13 STEAM SUPPLY SHORE CONNECTION
- 15 STEAM CONDENSATE RETURN VALVE
- 16 STEAM SUPPLY VALVE

CBC 86-89 STEAM PIPING (FINAL).docx

St. Louis, MO

**CANAL BARGE COMPANY, INC.**



195'-0" X 35'-0" X 12'-6" DOUBLE SKIN TANK BARGE

STEAM PIPING DIAGRAM

DATE: 6/14/12
