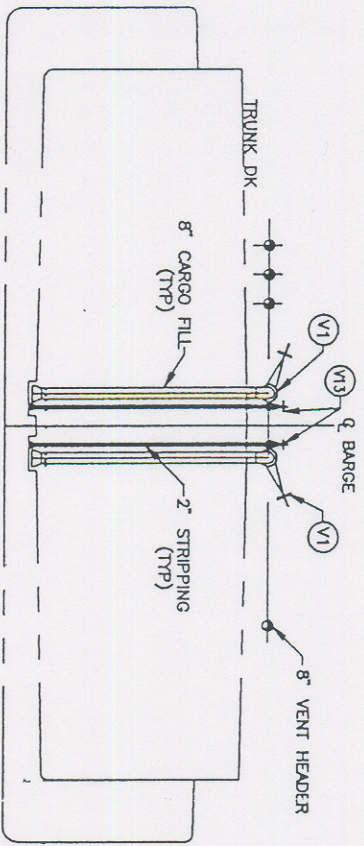


**ABOVE DECK PIPING**  
NOTE: BARGE IS EQUIPPED WITH 7 STRIPPING SYSTEMS



**BELOW DECK PIPING**

<b>TO LOAD</b>	<b>NO PUMPS:</b>
OPEN ICV1, 2PVI, 2SVI, 3PVI, 3SVI, 4CV1	OPEN ICV1, 2PVI, 2SVI, 3PVI, 3SVI, 4CV1
OPEN V2 ON MANIFOLD	OPEN V2 ON MANIFOLD
OPEN V7 TO DOCK	OPEN V2 ON PUMP SUCTION
CLOSE V4, V6	OPEN V4, V6 TO DOCK
CLOSE VS PUMP SUCTION	CLOSE V7

**CAPACITIES -**

DRAFT FT.	TOTAL	TANK NUMBER			
		1	2	3	4
1	87	87	87	87	87
2.5	240	84	82	82	82
3	408	84	108	108	108
3.5	576	112	108	108	154
4	744	142	202	202	201
4.5	912	172	248	248	248
5	1080	202	294	294	294
5.5	1248	231	340	340	340
6	1416	261	386	386	387
6.5	1584	291.5	432	432	434
7	1752	319	480	480	479
7.5	1920	338	518	518	518
8	2088	378	572	572	572
8.5	2256	408	618	618	618
9	2424	437	664	664	664
9.5	2592	468	710	710	712
10	2760	497	756	756	757
10.5	2928	527	804	804	804
11	3108	558	850	850	850

**\*STANDARD SPECIFIC GRAVITY OF CARGO FOR ABOVE TANKS IS 1.83.**

BRNO	2084	2048	2048	2048
17748	2803	2714.4	2714.3	2714.3

**MAX. CAPACITY - NET (MBS)**  
17748 2803 2714.4 2714.3 2714.3

**MAX. CAPACITY - GROSS (MBS)**  
BRNO 2084 2048 2048 2048

HELL NO. 1444  
NAME: CBC-185  
OFFICIAL NO. 1027968  
OFFICIAL NO. 1027968  
HELL TITE: 1 & 2  
CARGO GRADE: A & UNDER  
CARGO: 0 CARGO SOLIDITY/ADAPT. ORGA.

**SYSTEM FEATURE**

1. COASTAL VAPOR HEADERS
2. CARGO PUMP BLEEDERS HULL'S, 1000 GPM @ 120 PSI, XTRA, CLEVELAND LIMITED VALVES
3. DUAL VALVE DESIGN 8-71H W/8.2:1
4. P/V VALVE 4\"/>

**VALVE IDENTIFICATION CHART**

VALVE	DESCRIPTION
V1	CARGO TANK VALVE
V2	8\"/>

**ENGINEER**  
DANIEL BARGE CONSULTING, INC.

**CARGO PIPING & VAPOR COLLECTION SYSTEM PIPING DIAGRAM**  
CBC-185