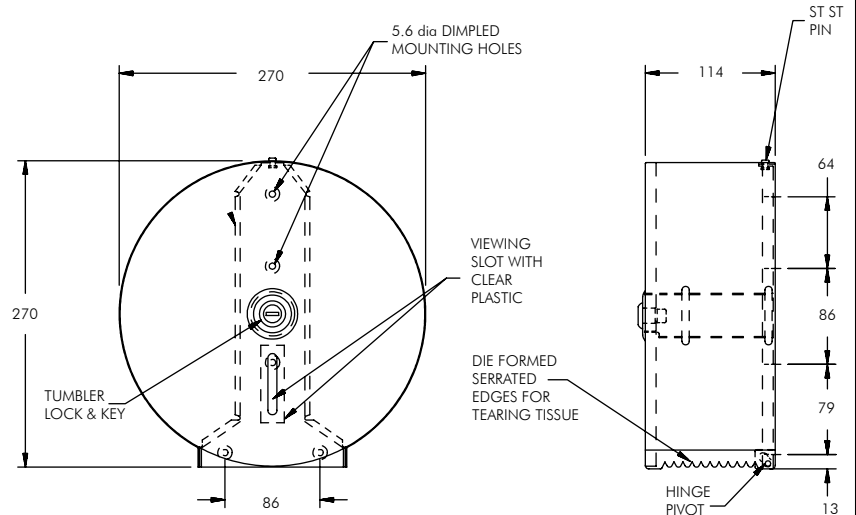


TECHNICAL DATA SHEET

8/10



0042 STAINLESS STEEL SURFACE MOUNTED TOILET PAPER DISPENSER



SPECIFICATION

Model 0042 is a surface mounted single, jumbo (250 dia with a 41 or 57mm core) roll, toilet paper dispenser. Cabinet cover is fabricated in 1mm Type 304 satin finish stainless steel and is a one piece construction hung on stainless steel pin hinges, held closed with a tumbler key lock, keyed to other ASI products. All exposed surfaces are protected with PVC film which is easily removed after installation. A viewing slot with clear plastic window is fitted on the front cover for immediate roll "run out" recognition.

"The toilet paper dispenser shall be ASI Model 0042 surface mounted dispenser by ASI. Available from MacDonald Industries Ltd"

INSTALLATION

Mount using 5 x M6 x 24 Philips type pan head self tapping screws (by others) through mounting holes provided. Mount within 300 of the front of the toilet from centreline and 800 from FFL from bottom of unit

For disabled compliance mount cabinet so that leading edge of roll is no further than 915 back wall of toilet cubicle and centreline of roll is between 500 - 1100 from FFL.



**MACDONALD
INDUSTRIES LIMITED**

20 Carr Rd
Three Kings
Auckland 1042
Ph 09 624 1115
Fax 09 624 1110
email:sales@macdonaldindustries.co.nz
www.macdonaldindustries.co.nz

Christchurch
Ph; 03 348 2356
Fax: 03 348 2376
Wellington:
Ph 04 569 8033
Fax 04 569 8066