



750 Garcia Ave, Pittsburg
CA 94565
+1.925.427.7800
HSIheadwalls.com

MRI Column

Non-Ferrous Rigid Ceiling Column

The MRI Column is fabricated from Aluminum with an adjustable trim bezel to safely and elegantly provide services in MRI labs where powerful magnetic forces pose a hazard with steel columns. It is optimized for a ceiling height of 9'6" but is build to order. It can accommodate 10 pre-piped medgas outlets and 16 electrical and low voltage receptacles.

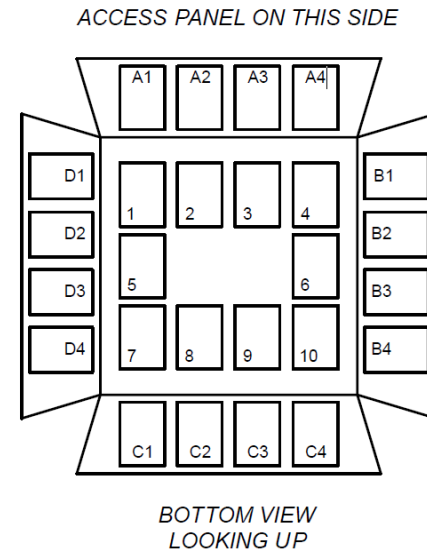
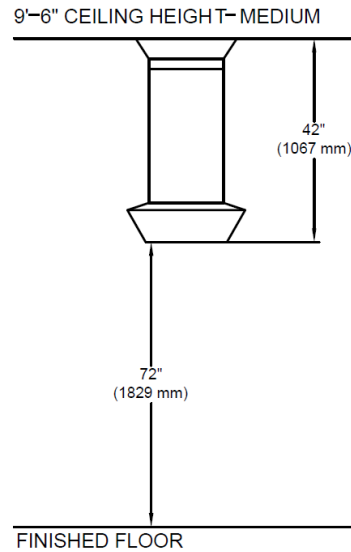


Features/Specifications:

- Made from non-ferrous, non-magnetic aluminum
- More resistant to corrosion than traditional columns
- Eliminates exposed wires and hoses that can clutter floors and cause tripping hazards
- Configurable and build to order to meet the customer's needs
- Can accommodate any medical gas key style
- Build to order in alternate sizes and with any configuration of services
- Maximum length of 42"
- Available with powder coated finish



750 Garcia Ave,
Pittsburg
CA 94565
+1.925.427.7800



Device	Location
Hospital Grade Receptacle, Duplex, 20A, Red	
Hospital Grade Receptacle, Duplex, 20A, White	
Patient Monitoring Kit, 37 Pin Connector, (Position 1 or 10 only)	
Grounding Receptacle	
Blank	
Oxygen Outlet	
Medical Air Outlet	
N2O Outlet	
Evacuation (WAGE) Outlet	
CO2 Outlet	
O2-CO2 Outlet	