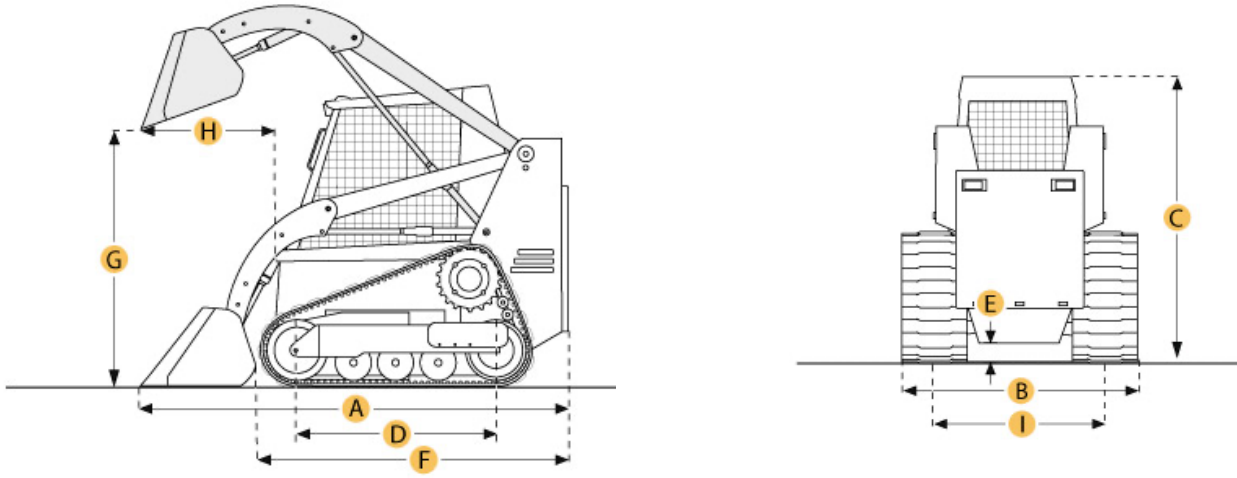


## Skid Steer Loaders Working Range



Working Range		SSV65C 3.2T	SVL97-2 4.5T
A	Length with Bucket	3439mm	3929mm
B	Width over tyres	1689mm	1962mm
C	Height to top of Cab	2029mm	2116mm
D	Wheel Base	1125mm	1667mm
E	Ground Clearance	193mm	293mm
F	Length without Bucket	2700mm	3137mm
G	Clearance at Max Lift and Dump	2347mm	3264mm
H	Reach at Max Lift and Dump	831mm	1035mm