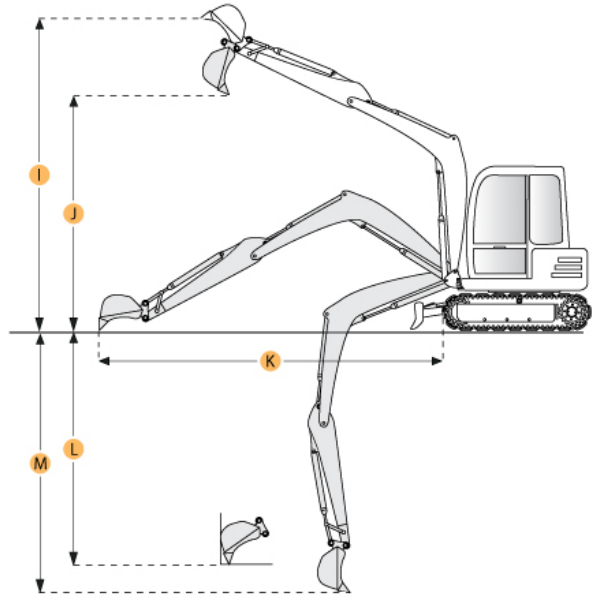
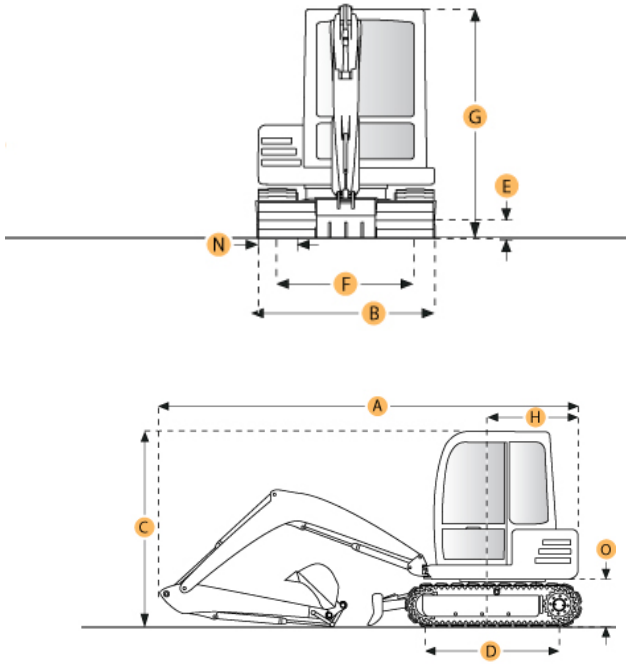


Excavators Working Range



Working Range		U17-3 1.7T	U25-3 2.5T	U35-4 3.5T	KX057-4 5.5T	U55-4 5.5T	312C 12T
A	Shipping Length of Unit	3545mm	4150mm	4750mm	5520mm	5500mm	7570mm
B	Width of Outside of Tracks	1240mm	1500mm	1700mm	1960mm	1960mm	2590mm
C	Shipping Height of Unit	2340mm	2420mm	2480mm	2550mm	2550mm	2760mm
D	Length of Track on Ground	1230mm	1560mm	1670mm	1990mm	1990mm	2780mm
E	Ground Clearance	280mm	360mm	370mm	310mm	310mm	440mm
G	Height to Top of Cab	2340mm	2420mm	2480mm	2550mm	2550mm	2760mm
I	Maximum Cutting Height	3540mm	4530mm	4840mm	5740mm	5665mm	8475mm
J	Maximum Loading Height	2440mm	3210mm	3400mm	4180mm	4005mm	6095mm
K	Maximum Reach Along Ground	3900mm	4670mm	5170mm	6110mm	5960mm	8175mm
L	Maximum Vertical Wall Digging Depth	1910mm	1960mm	2010mm	1710mm	2830mm	4970mm
M	Maximum Digging Depth	2310mm	2810mm	3010mm	3865mm	3630mm	5550mm