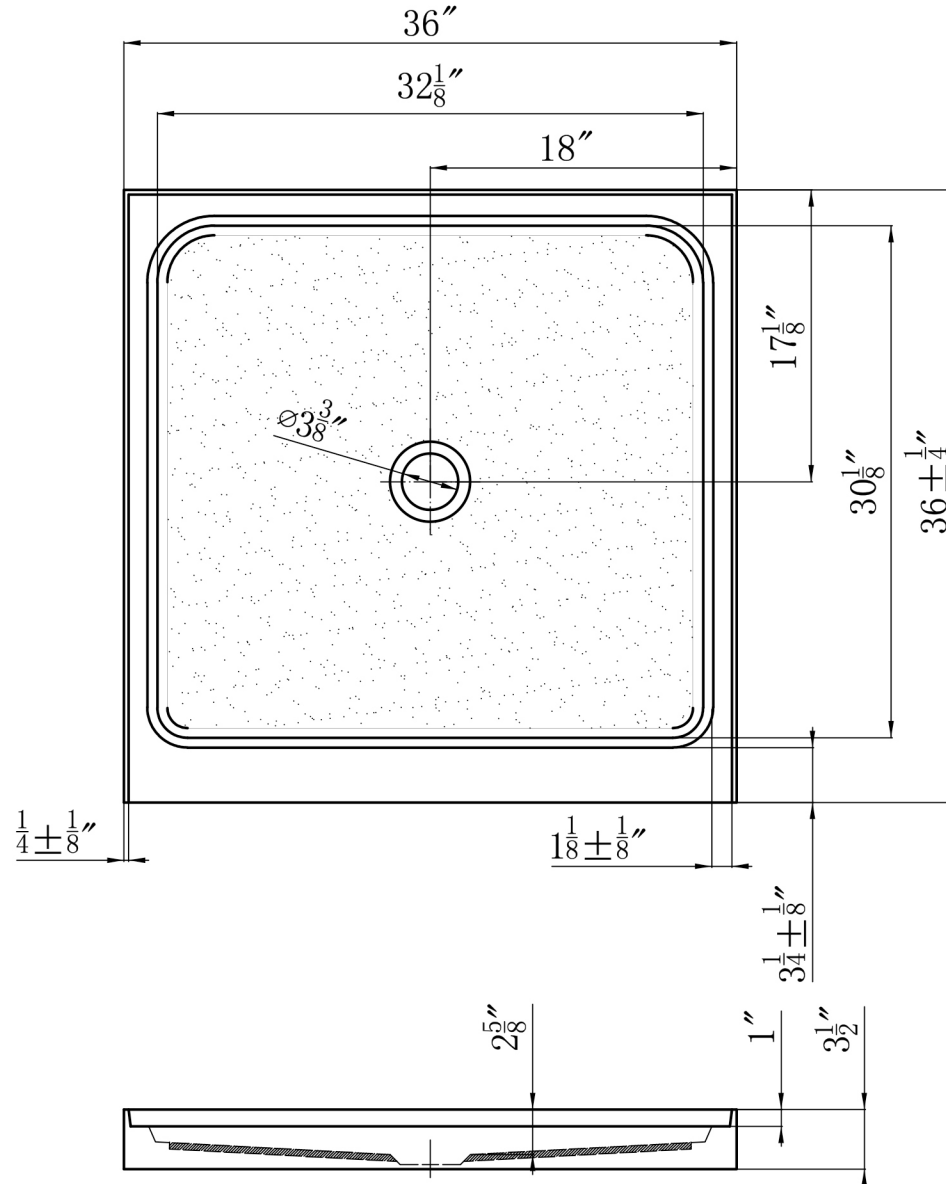


K-SERIES

ACRYLIC BASES

K-UT10-3636-3



Size tolerance $\pm 5\text{mm}$