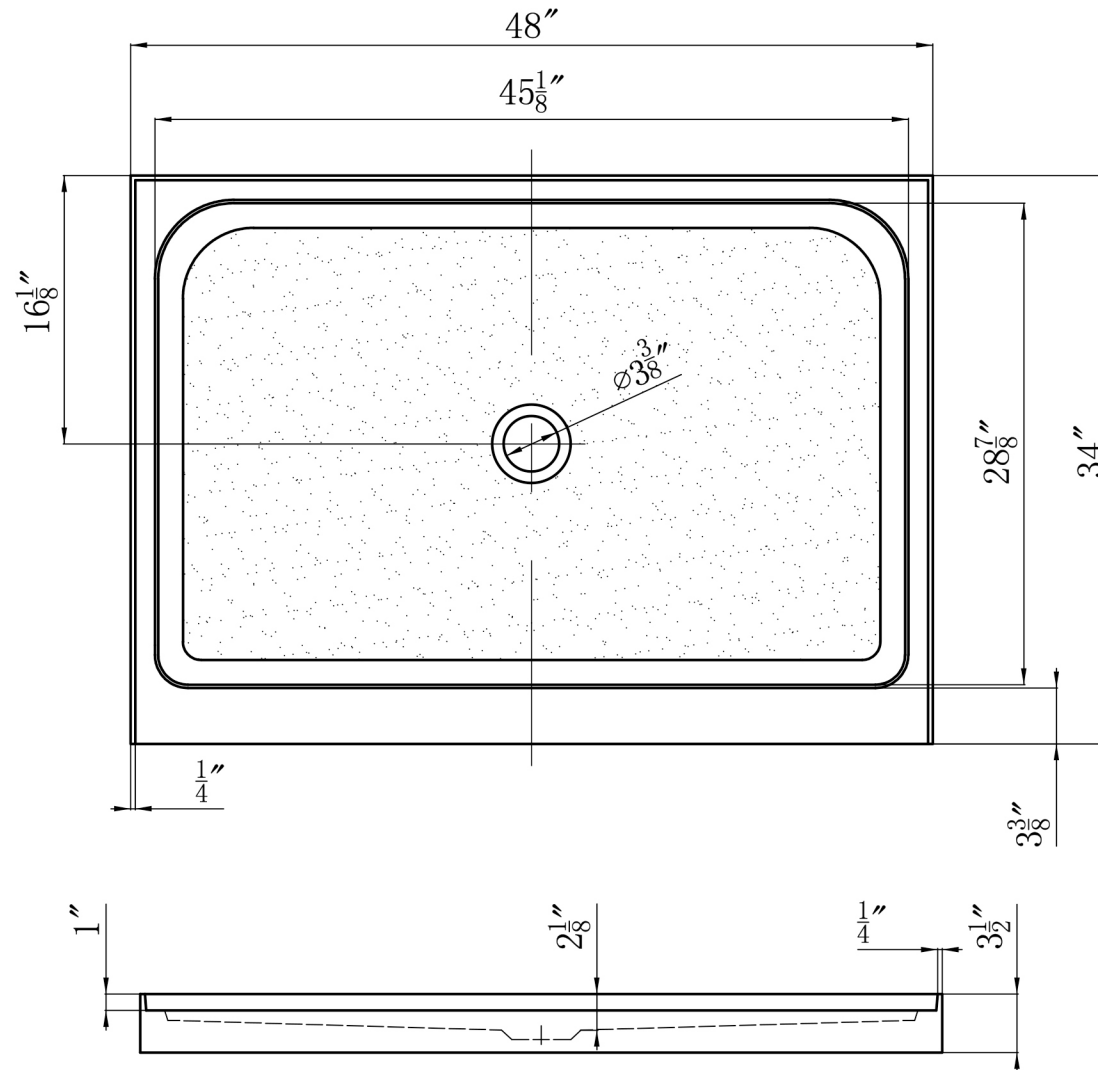


K-SERIES

ACRYLIC BASES

K-UT09-4834



Size tolerance $\pm 5\text{mm}$