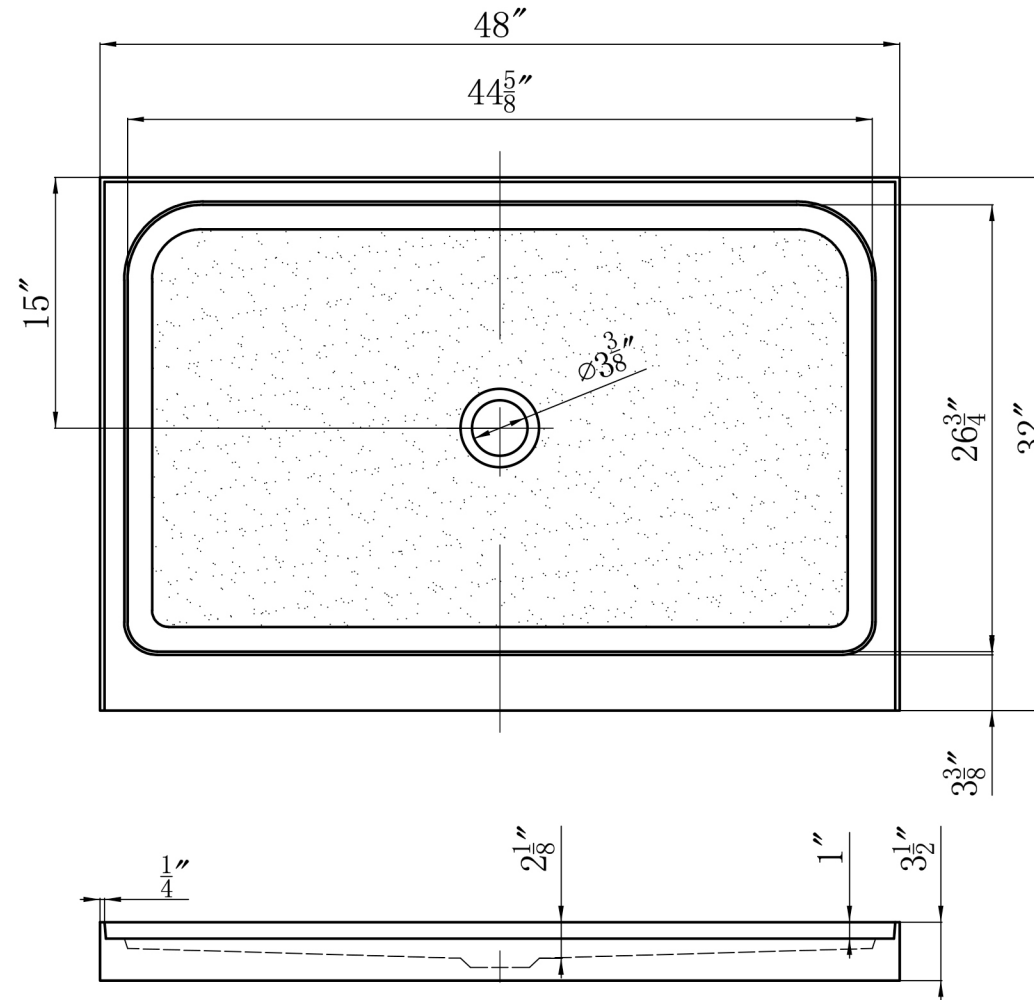


# K-SERIES

ACRYLIC BASES

K-UT09-4832



Size tolerance  $\pm 5\text{mm}$