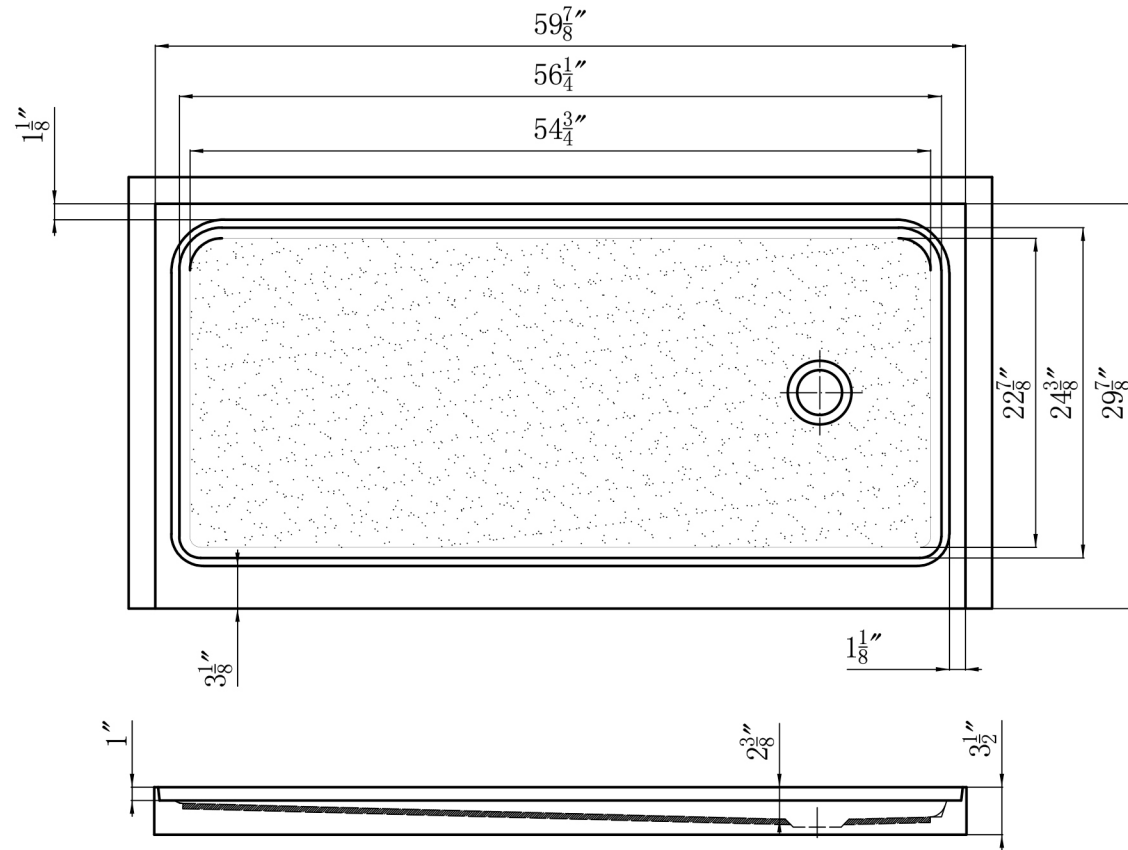


# K←SERIES

## ACRYLIC BASES

### K-UT09-6030R



Size tolerance  $\pm 5\text{mm}$