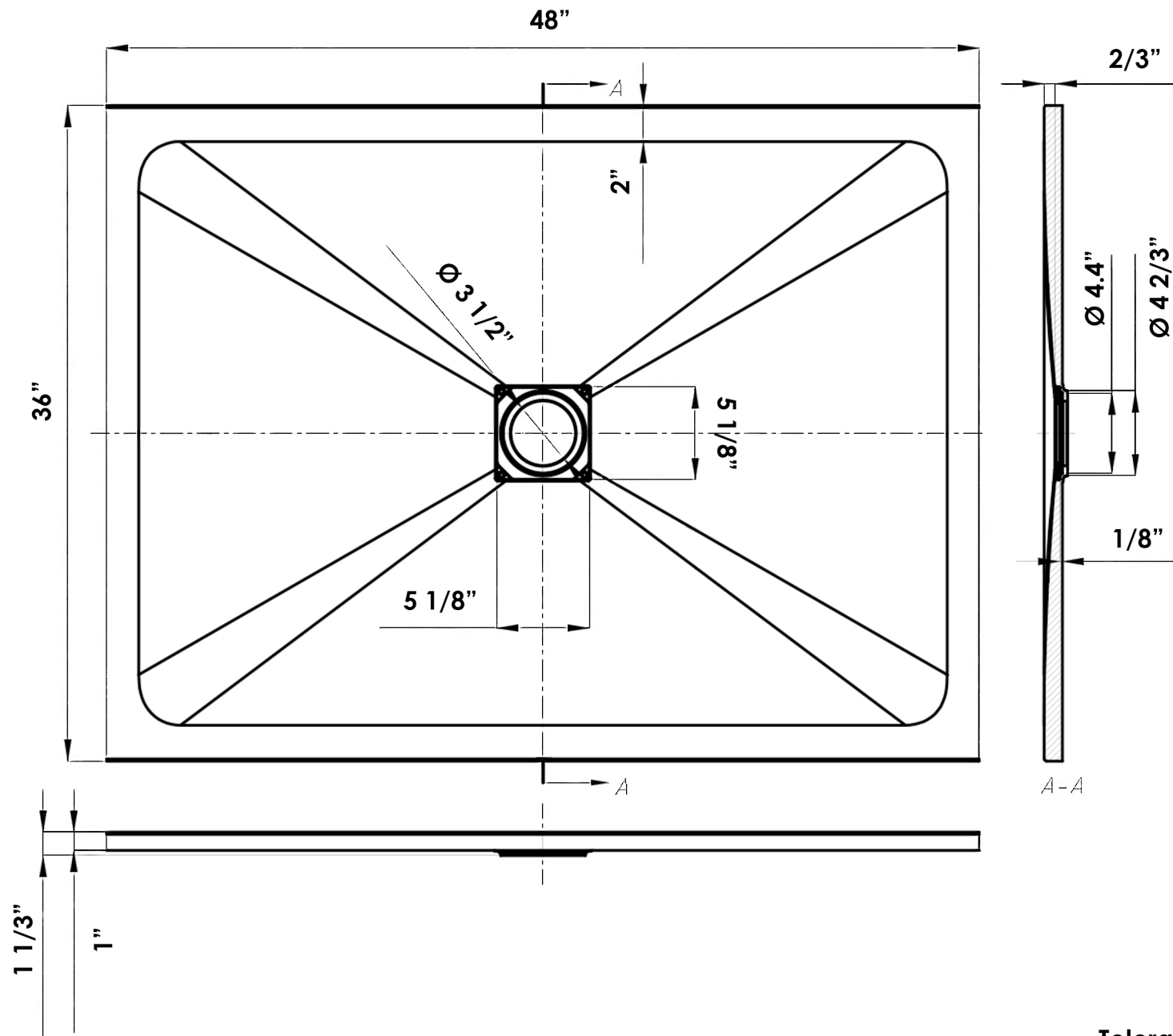


# NUV-BASE-4836C



Tolerance on dimension  $\pm 1/4$ "

