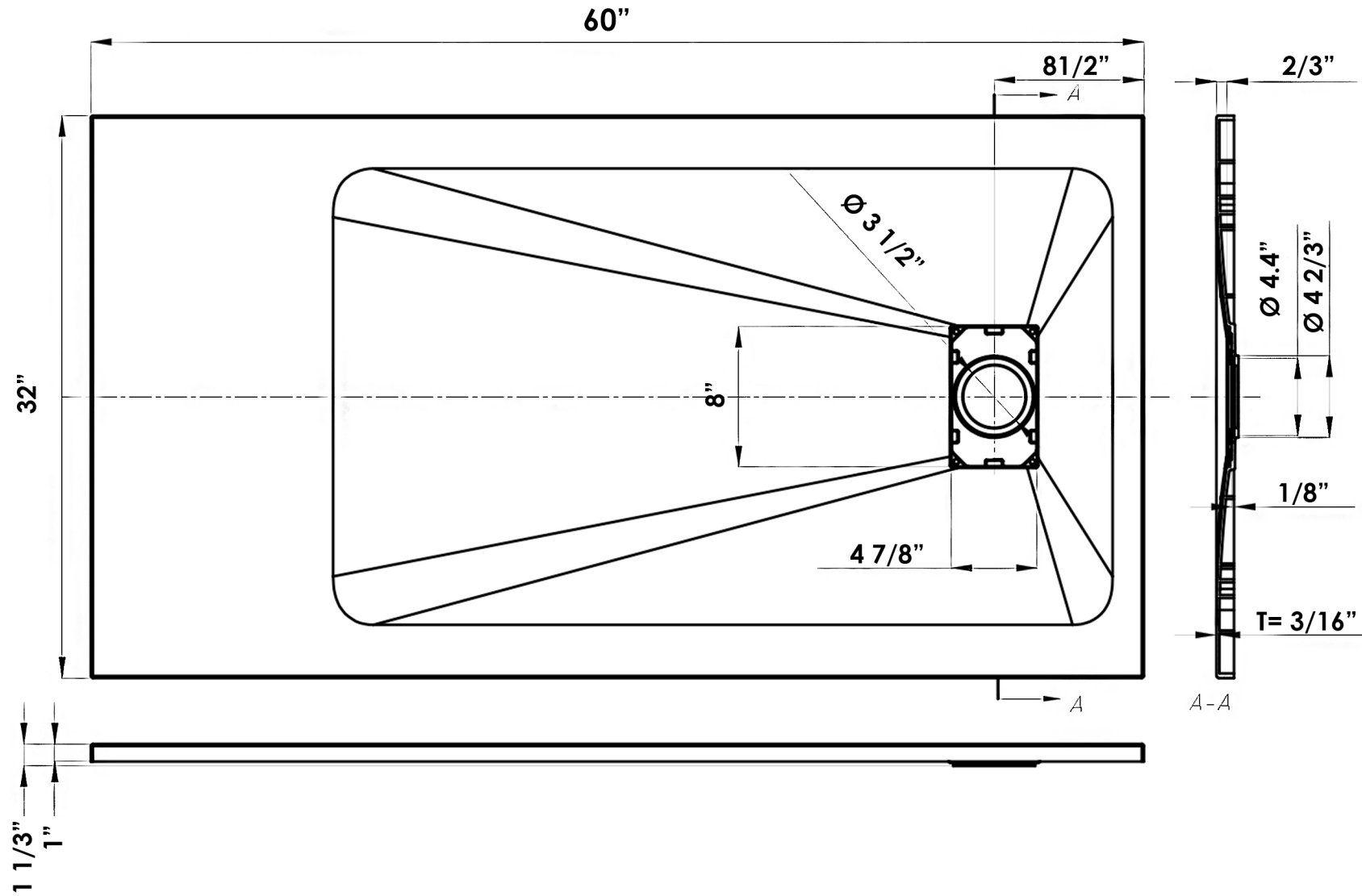


# NUV-BASE-6032E



Tolerance on dimension  $\pm 1/4$ "

