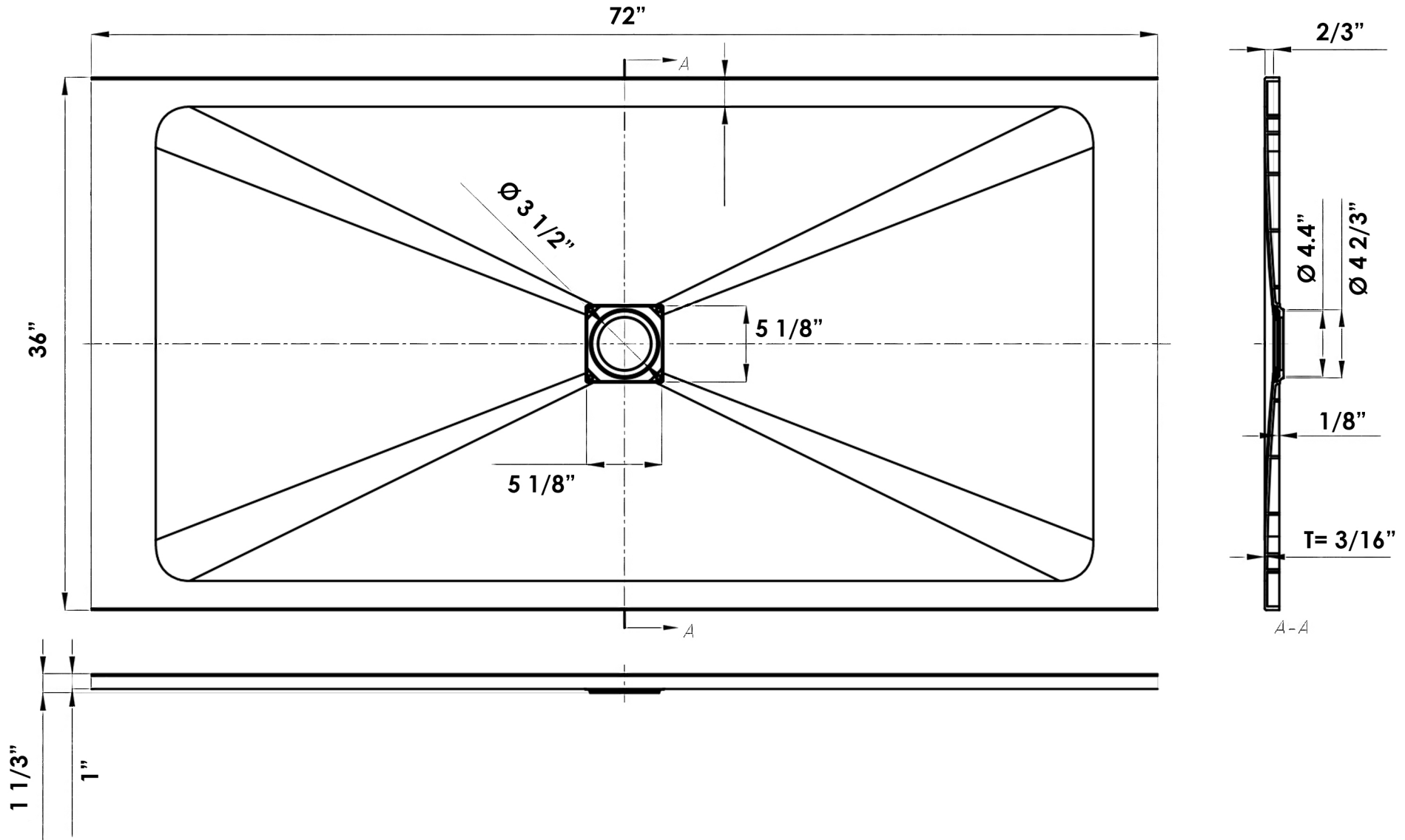
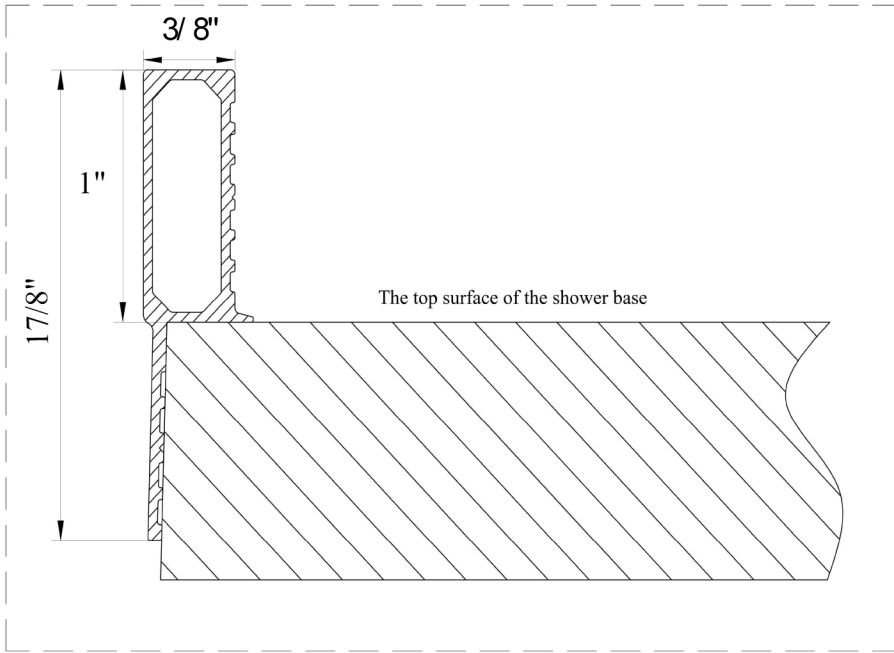
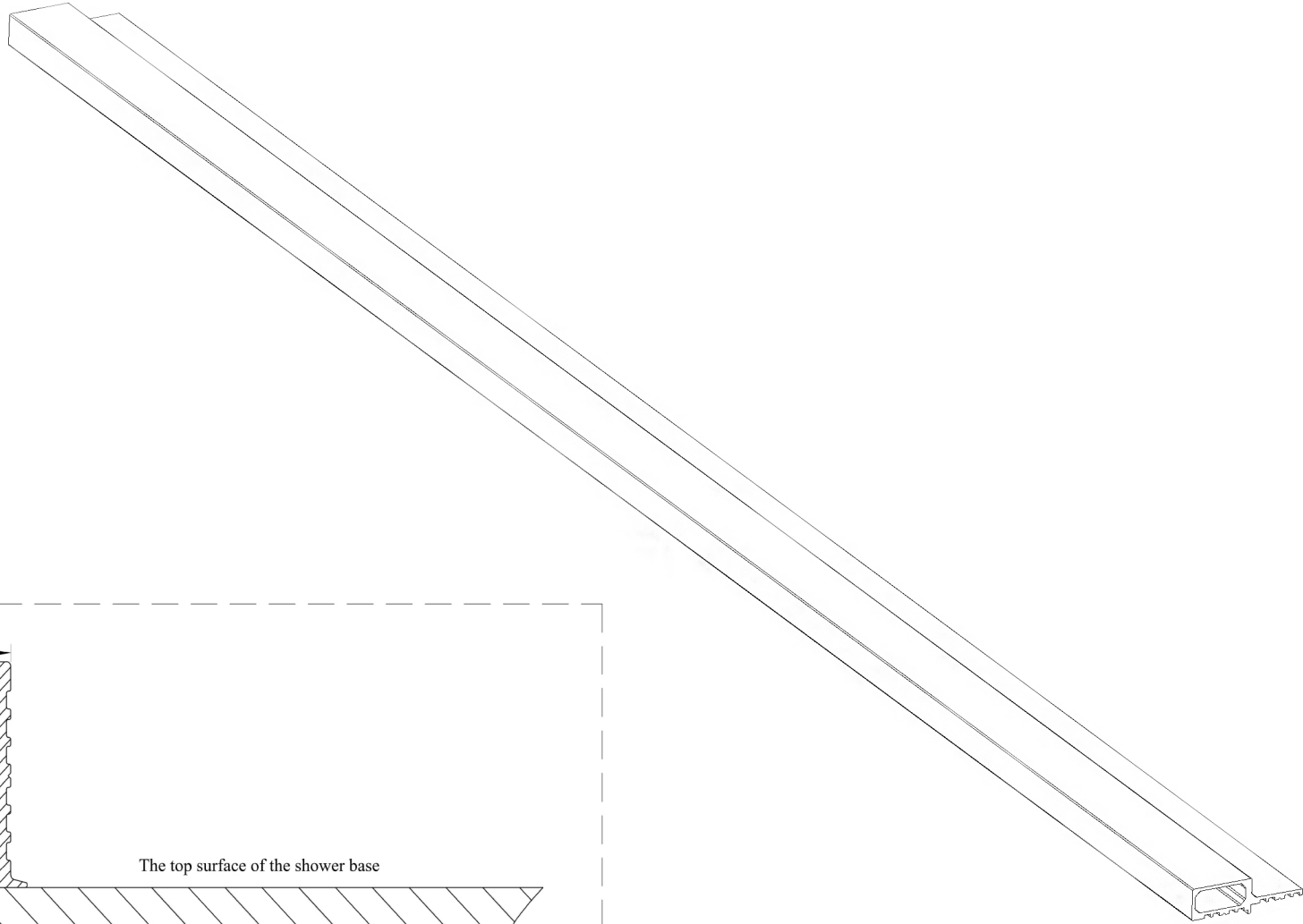


NUV-BASE-7236C



Tolerance on dimension $\pm \frac{1}{4}$ "



The top surface of the shower base