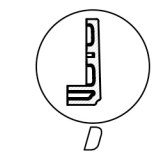
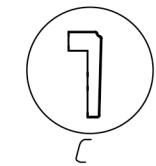
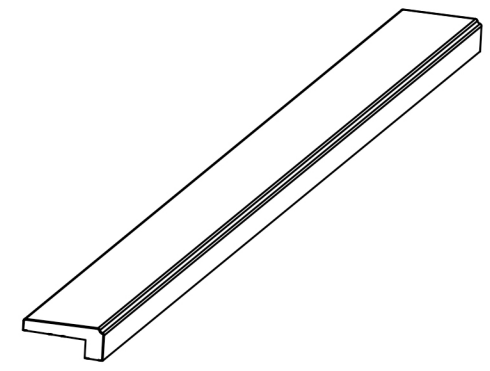
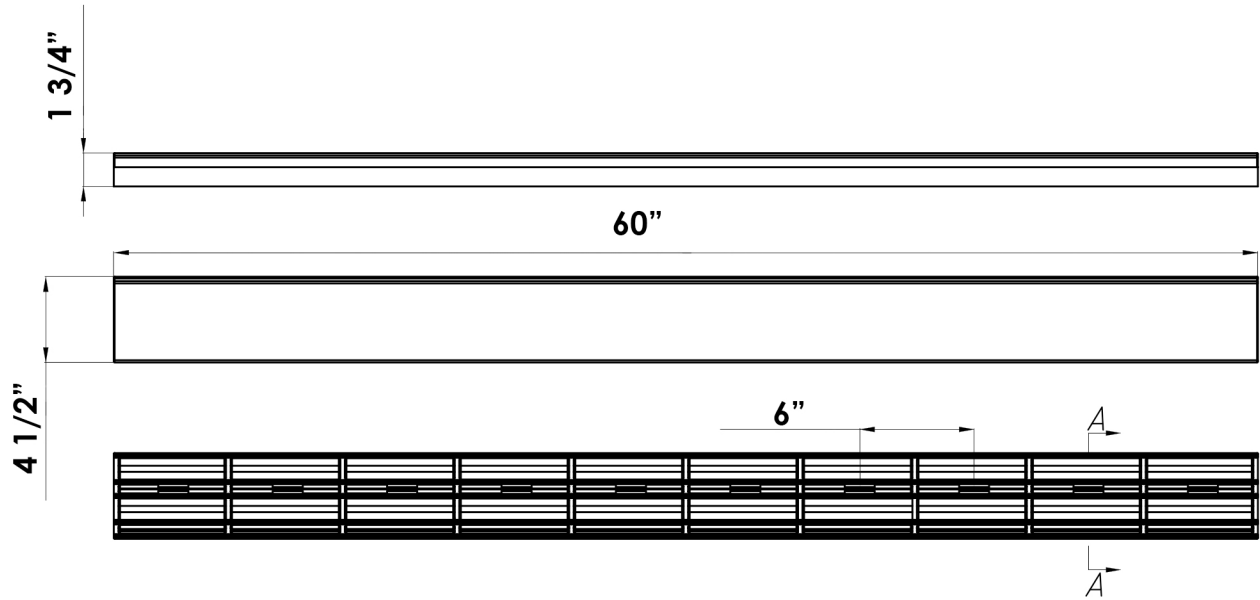
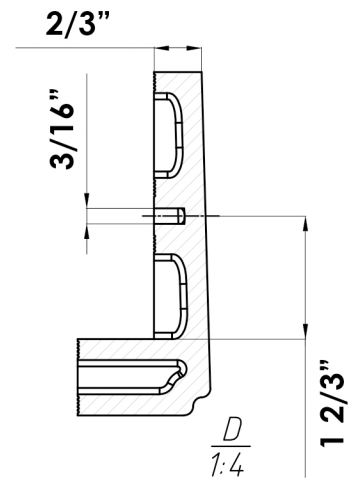
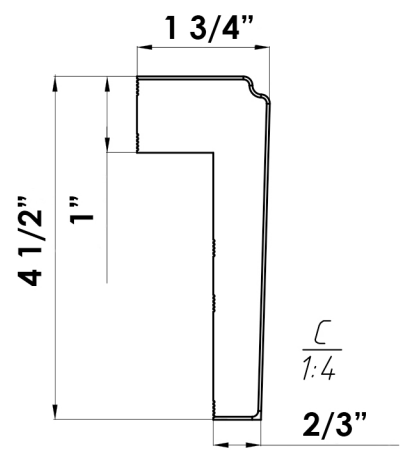


NUV-THR-60



A-A



Tolerance on dimension $\pm 1/4$ "