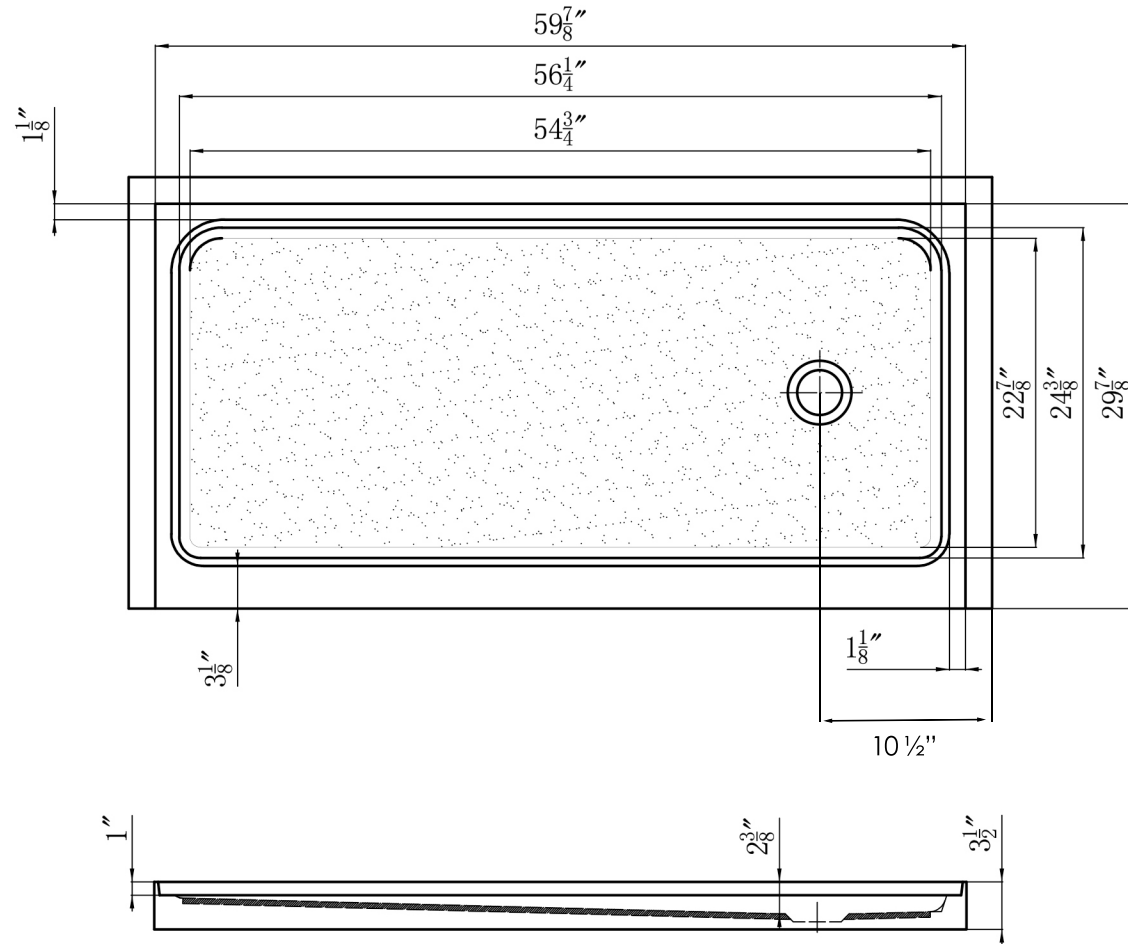


K←SERIES

ACRYLIC BASES

K-UT09-6030R



Size tolerance $\pm 5\text{mm}$