

THERMA+GLASS

NÜVÖ™
SHOWER BASES

Item No.

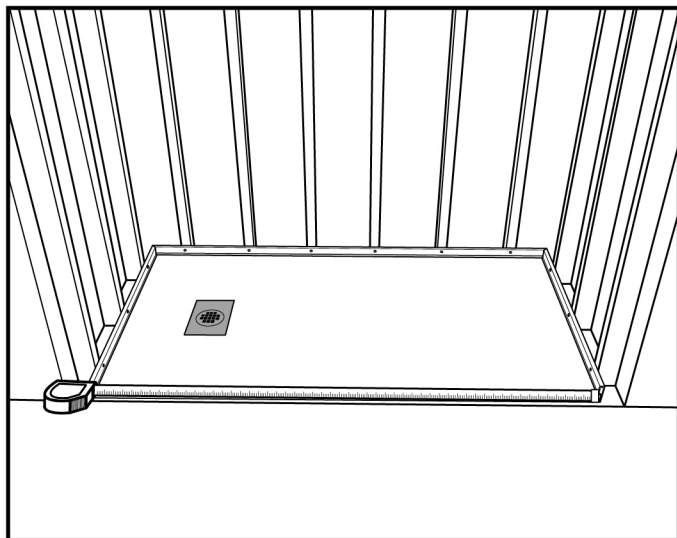
NUV-THR-60 / NUV-THR-80 CW

NUV-THR-60 / NUV-THR-80 BL

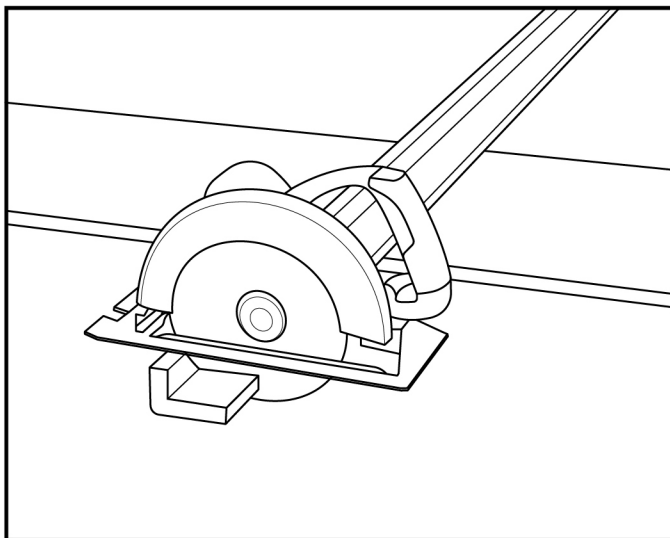
NUV-THR-60 / NUV-THR-80 GR

NUV-THR-60 / NUV-THR-80 WH

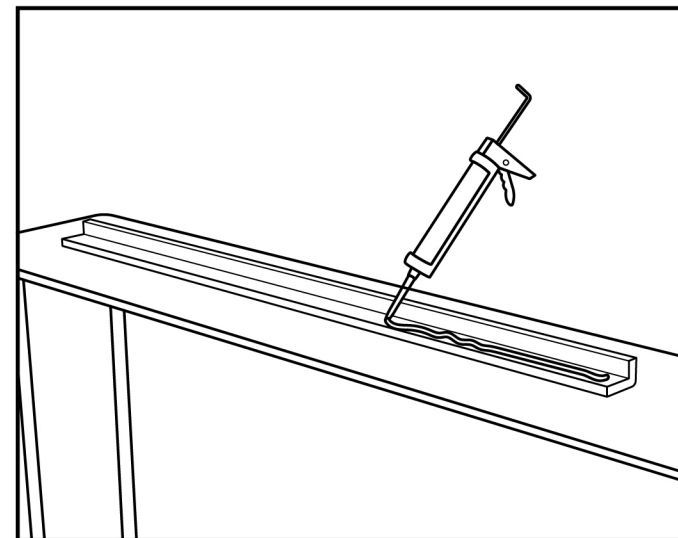
Installation Process



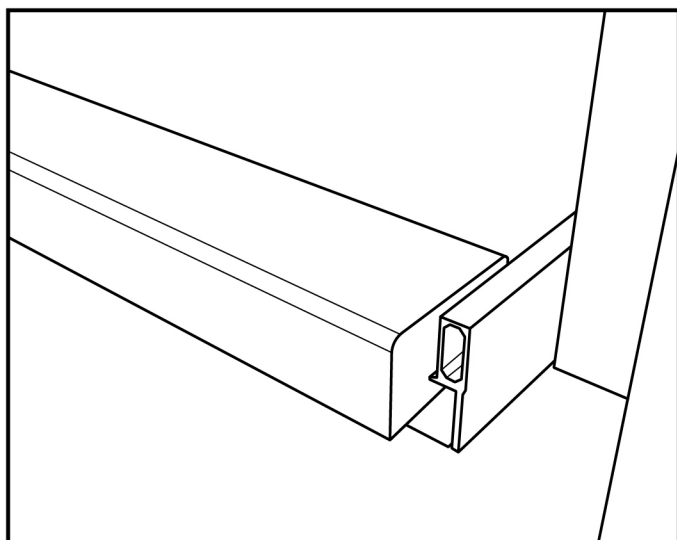
STEP 13: Measure in between the side tile flanges to determine overall length for the threshold.



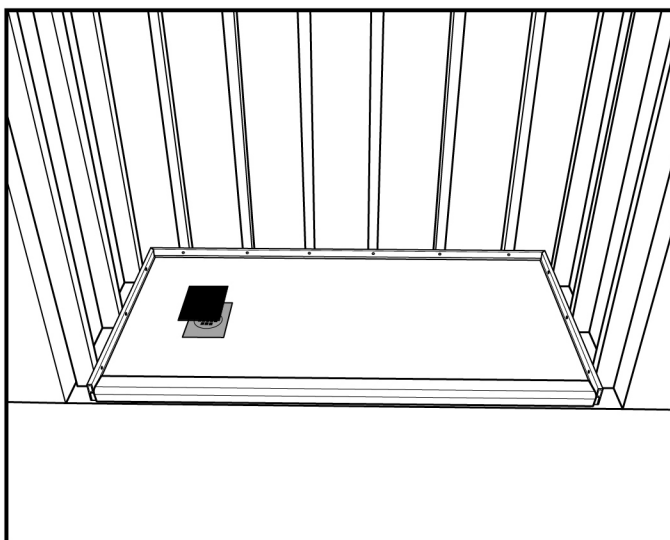
STEP 14: Cut threshold to fit.



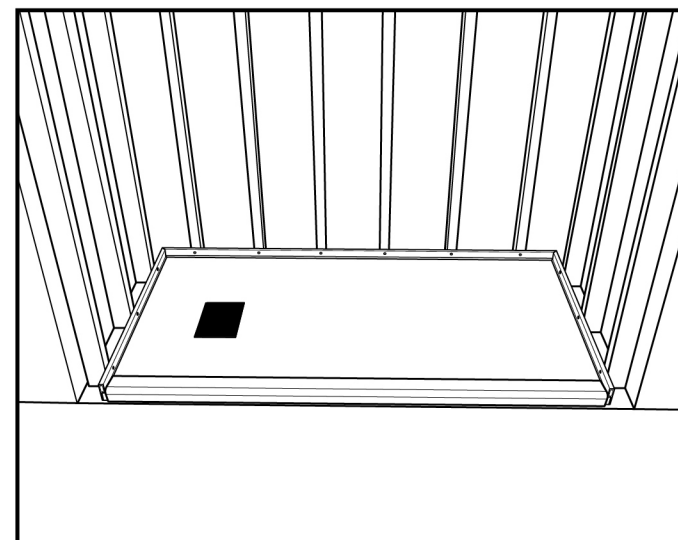
STEP 15: Apply silicone adhesive.



STEP 16: Attach threshold to shower base.



STEP 17: Add drain cover included with end drain bases only. Allow 24 hours to cure before use.



STEP 18: "Allow 24 hours to cure before use."