

THERMA+GLASS

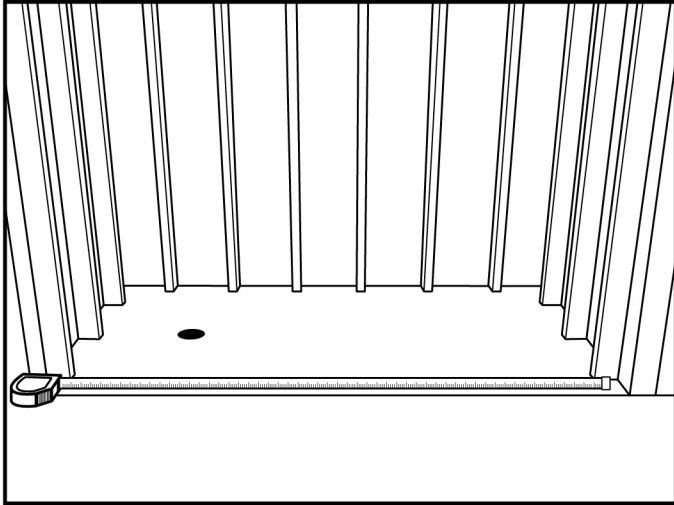
NūVō™ **SHOWER BASES**

Item No.

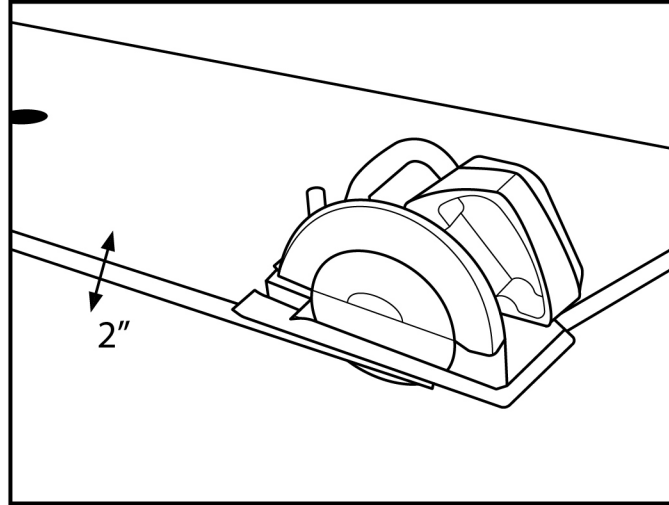
NUV-BASE-/4836C/6032E/6036C/7236C/7836C CW
NUV-BASE-/4836C/6032E/6036C/7236C/7836C BL
NUV-BASE-/4836C/6032E/6036C/7236C/7836C GR
NUV-BASE-/4836C/6032E/6036C/7236C/7836C WH

NuVo Shower Base

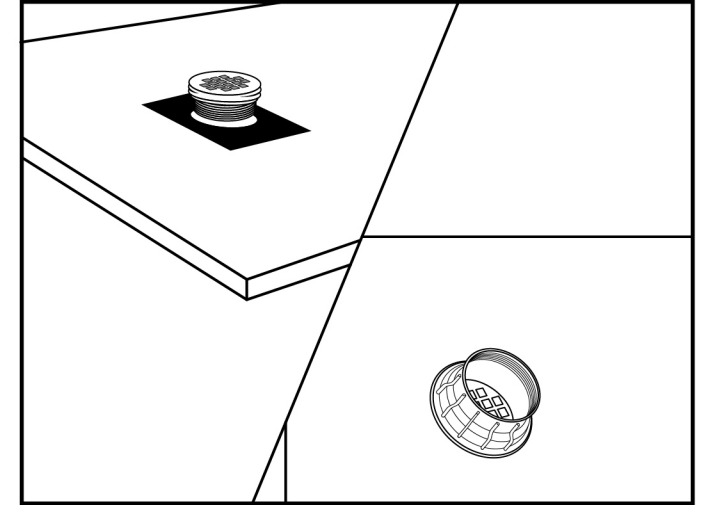
Installation Guide



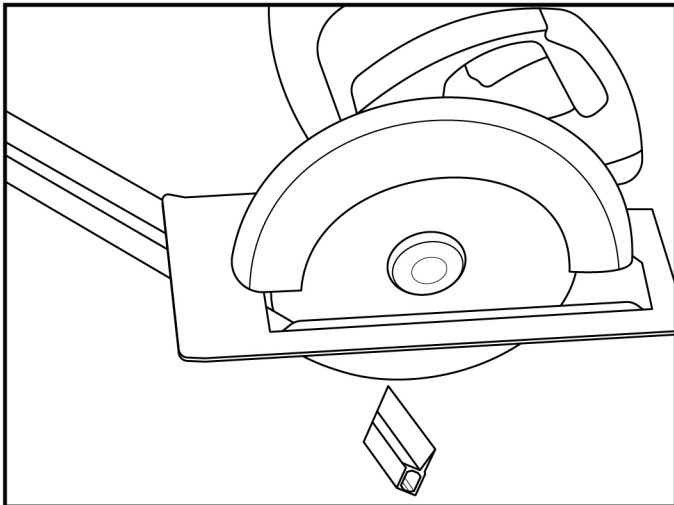
STEP 01: Measure length & depth. Verify floor is level. If needed use floor leveling product or mortar.



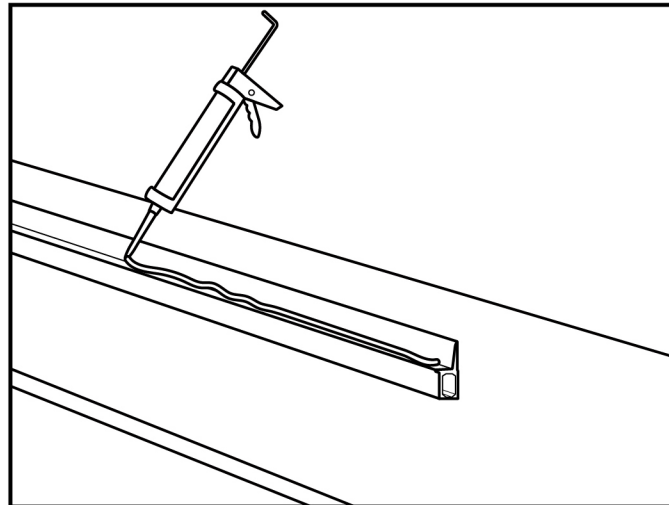
STEP 02: Cut base to fit using a carbide finishing blade. On center drain bases 2" can be cut from all sides. On end drain bases you can cut 2" from all side except for the end that has the drain on it.



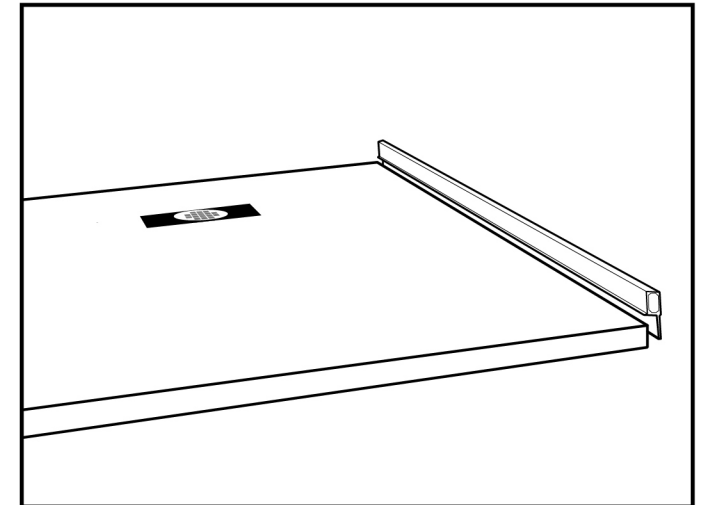
STEP 03: Drain not included with base Apply silicone caulking to the underside of the drain flange and insert into base removing excess silicone. Install gasgets and tighten the nut on the bottom of the drain.



STEP 04: Cut back wall flange as needed making sure to maintain a 45° on cut.

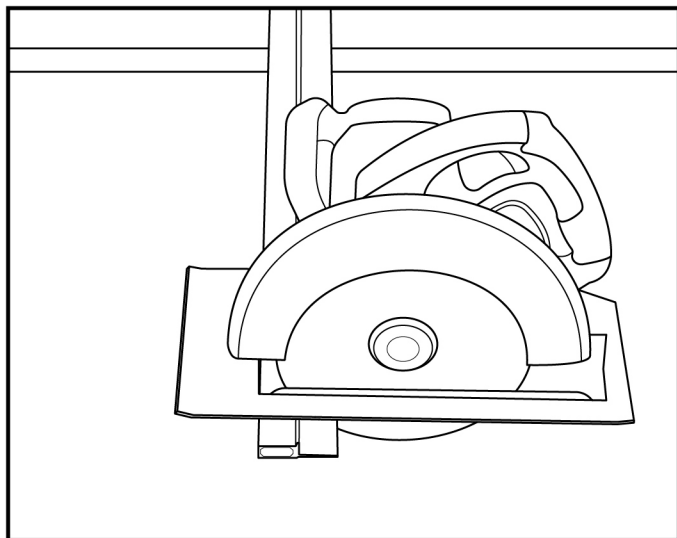


STEP 05: Apply silicone adhesive.

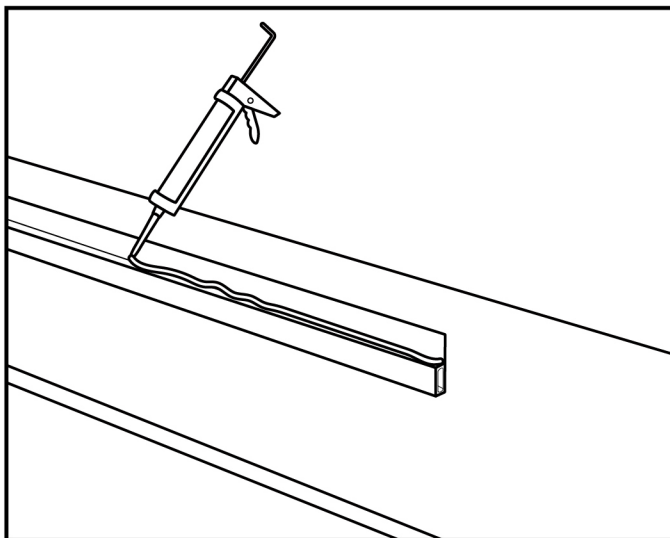


STEP 06: Attach back wall flange to shower base.

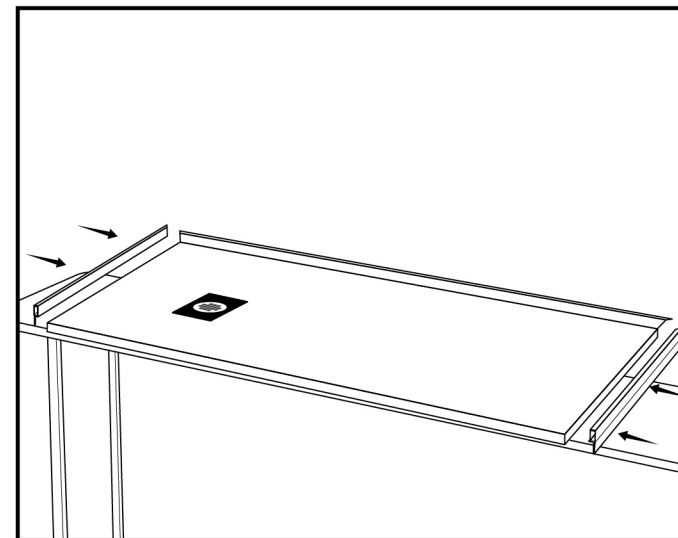
Installation Process



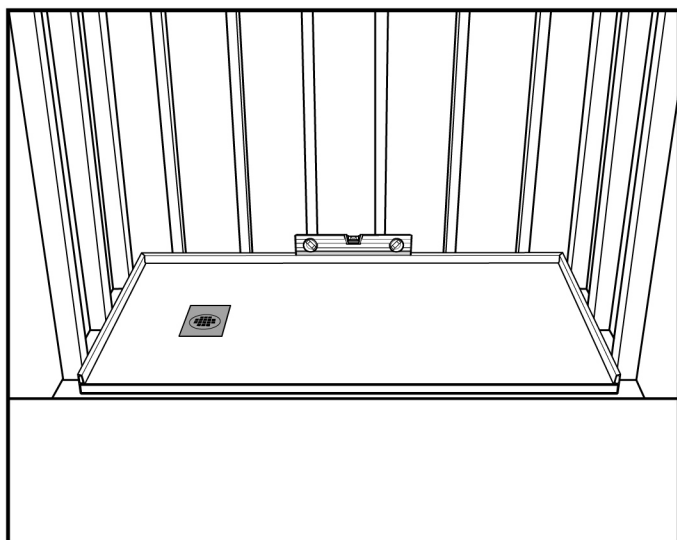
STEP 07: Cut side flanges as needed cutting only on the flat end not the angled end.



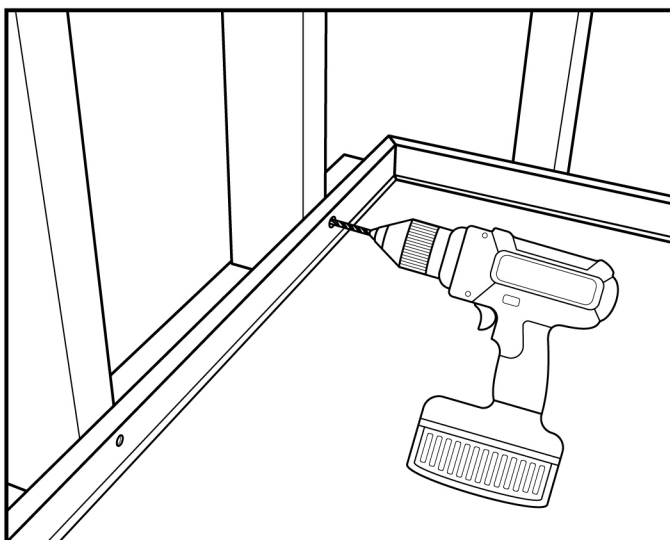
STEP 08: Apply silicone adhesive.



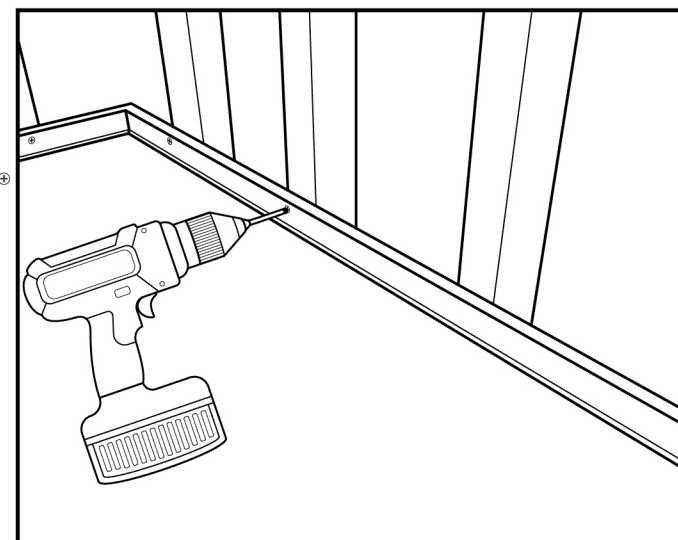
STEP 09: Attach side flanges to the shower base.



STEP 10: Install shower base. Check to see if base is level. If shimming is needed use level to determine the thickness of the shims. Apply shims to the underside of the base and re check the level.



STEP 11: Drill pilot holes through the flange and into the studs.



STEP 12: Insert screws and attach the shower base directly to the studs.