



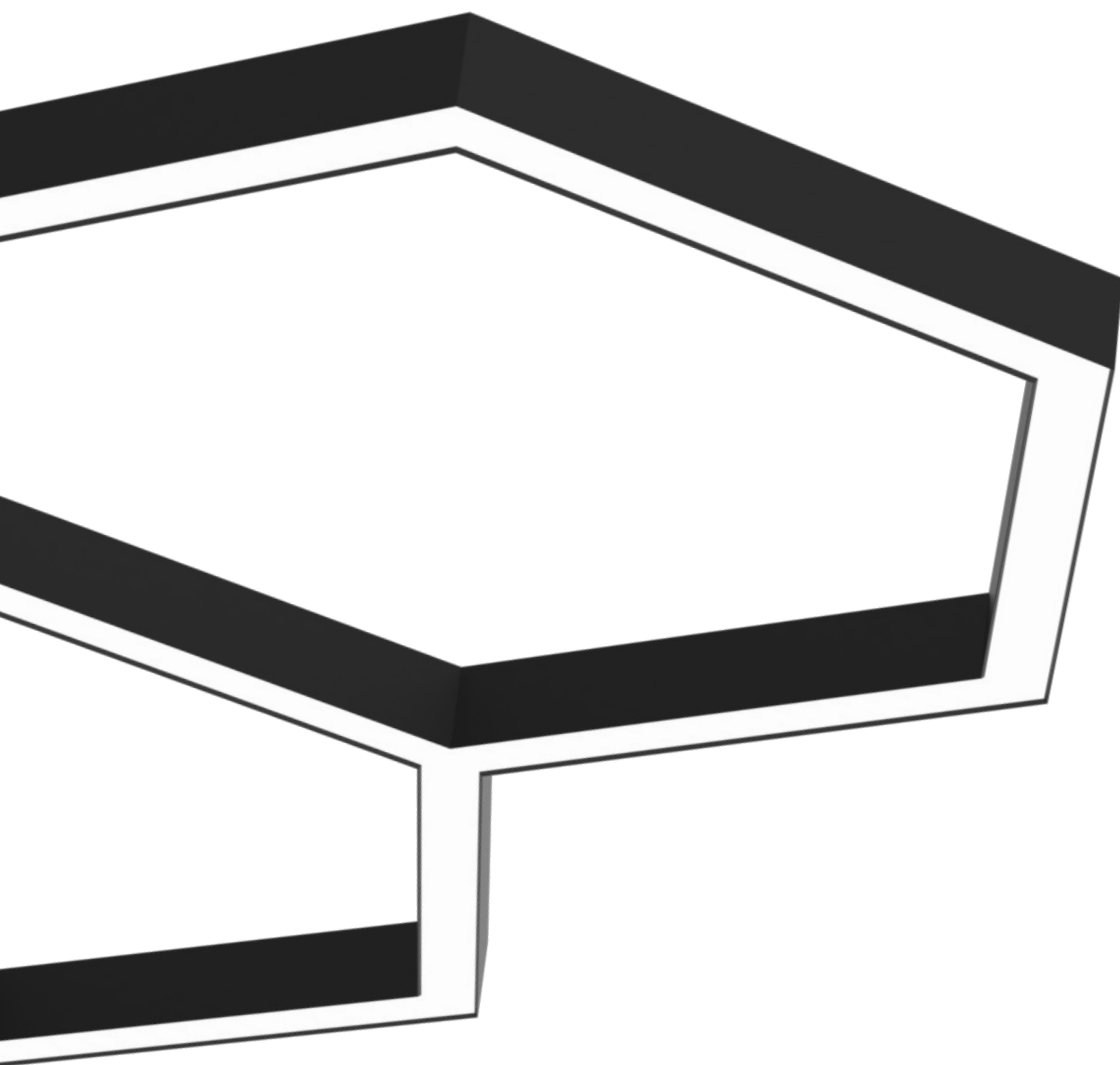
# LINKABLE LINEAR

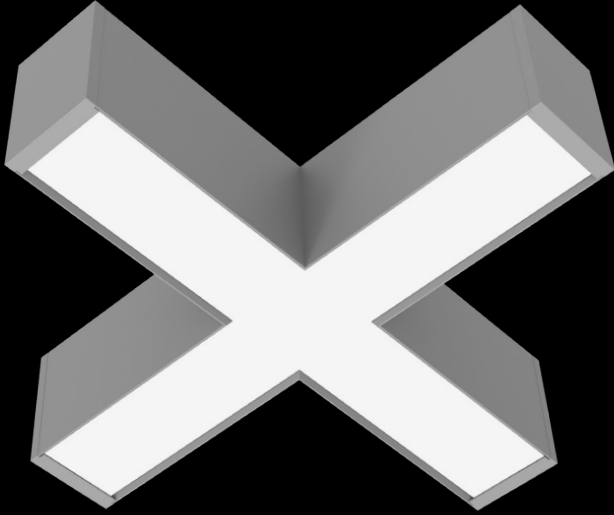
ALUMINIUM EXTRUSION STRIP LIGHT

LINKABLE  
LINEAR

## MAKE A CONNECTION. SHAPE YOUR SPACE.

Link up with our LED aluminium strip light, designed for ultimate flexibility and control.

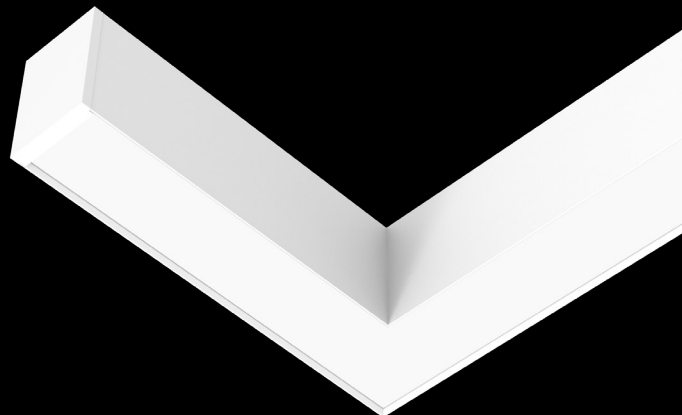
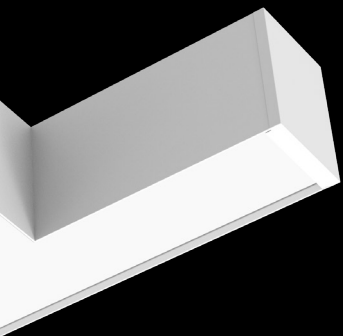




A versatile linear LED light with seamless modular linking, allowing for a myriad of configurations. It maintains a high energy efficiency of 130 lumens per watt, four CCT variations, 0-10V dimming and DALI functional option. When suspended, Linkable Linear can have an optional upright, and is available for surface-mounted or recessed installation, too.

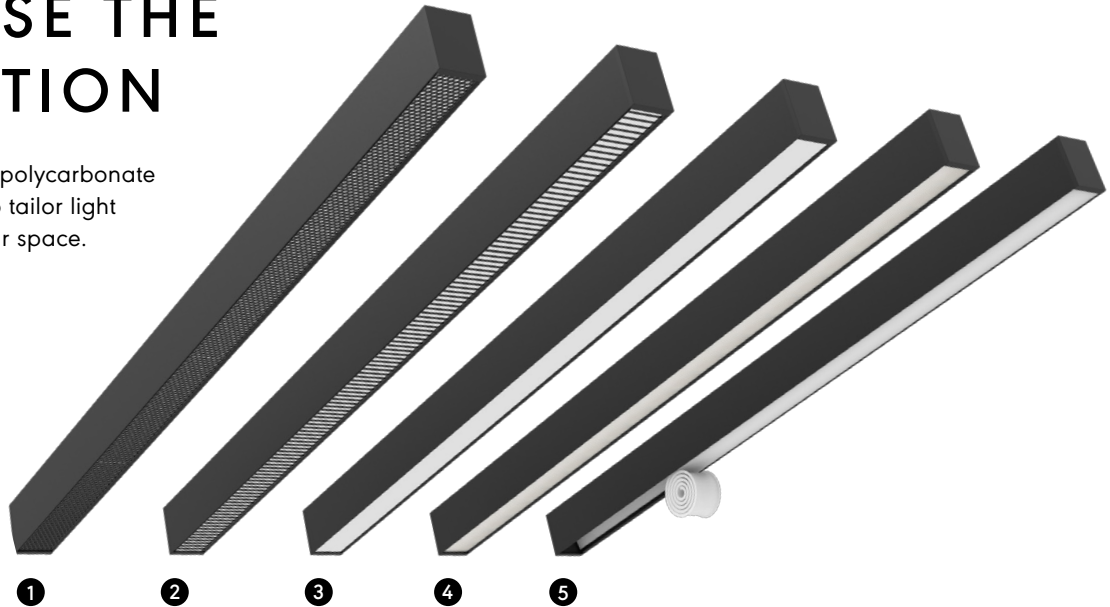
### **IDEAL APPLICATIONS**

Offices, retail centres, education hubs, galleries, lobbies, warehouse environments and more.



## DIFFUSE THE SITUATION

Choose from five polycarbonate diffuser options to tailor light distribution to your space.



### 1. HONEYCOMB DIFFUSER

**60° distribution**  
A structured hexagonal design minimising glare.

### 2. GRILLE DIFFUSER

**60° distribution**  
Louvres shape and direct the beam for low glare.

### 3. OPAL DIFFUSER

**95° distribution**  
Provides smooth, uniform illumination.

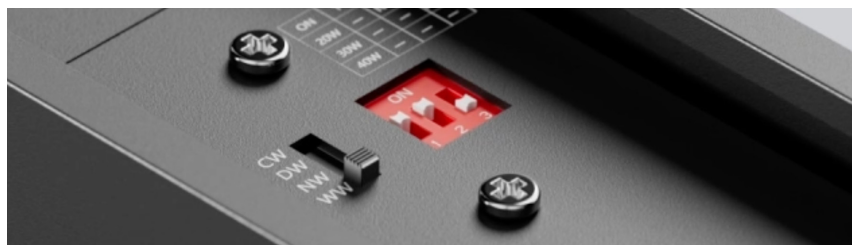
### 4. PRISMATIC DIFFUSER

**75° distribution**  
Uses geometric patterns to scatter light evenly.

### 5. A ROLL OF COVER

**115° distribution**  
Creates expansive, soft illumination.

## FLEXIBILITY BUILT IN



### 3 POWER ADJUST

Preset levels at 50%, 75% and 100% control brightness and energy consumption without additional hardware.

### DIMMING OPTIONS

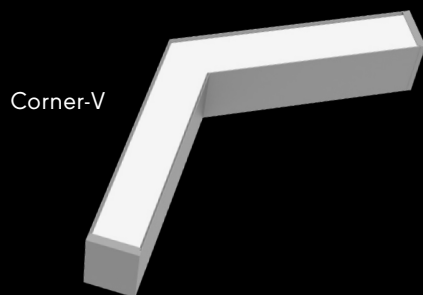
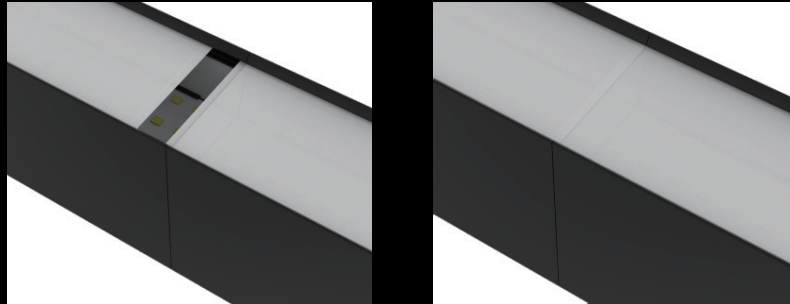
Available options of 0-10V and DALI systems for seamless integration and precise control, making it easy to turn down the lights.

### CCT VARIATIONS

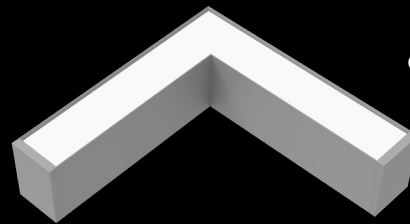
Four selectable colour temperatures from 3000K to 6500K so you can adapt to any project at the flick of a switch.

# SEAMLESS STYLE

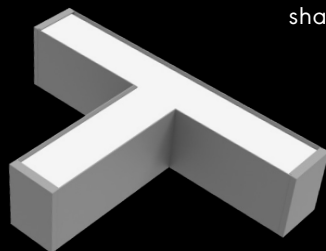
Truly continuous connections eliminate visible gaps. Light distribution components interlock directly with a seamless splicing structure, creating uniform illumination across joints with no break in the light effect.



Corner-V

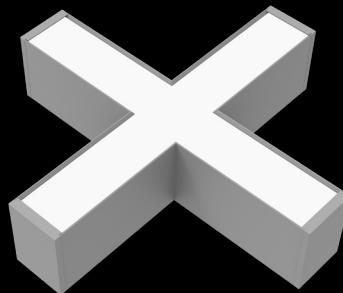


Corner-L

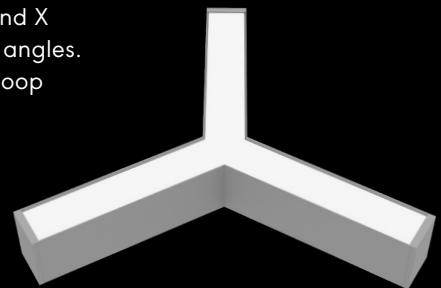


Corner-T

Configure beyond straight runs – L, T, V, Y, and X shapes can be linked up at right angles or 120° angles. Connect up to 60 metres in open or closed-loop layouts that follow your architecture.



Corner-X



Corner-Y

LINKABLE  
LINEAR

## DESIGNED TO HANG, HIDE OR HOVER

Three mounting options give you freedom for your next project, big or small. Simple installation reduces labour time while maintaining seamless connectivity between modules.

---

### PENDANT

Hang as a pendant with the included hardware for overhead impact. When suspending, you can choose to have 100% illumination shining downwards or split the glow with 70% downwards and 30% upwards to reduce glare.



### SURFACE MOUNT

For quick, low-profile installation that sits along your ceiling, surface mount the unit with ceiling-type lock buckles.

---

### RECESSED

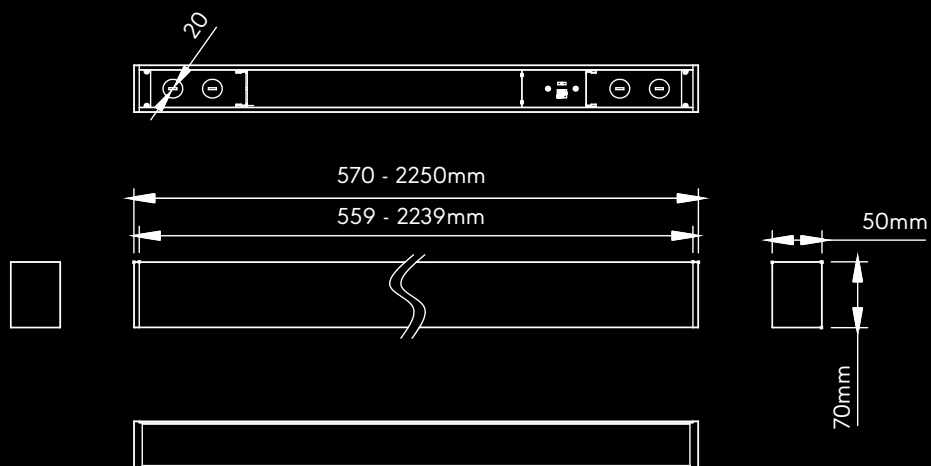
Or recess the fixture for flush integration that maintains consistent visual flow and maximises ceiling space.



# SPECIFICATIONS

CATEGORY	Strip Light
COLOUR	Black / White / Grey
MATERIALS	Aluminium and polycarbonate
POWER RATING	13-80W
IK RATING	IK08
IP RATING	IP20 / IP65
LIGHT OUTPUT	130Lm/W
COLOUR TEMP.	3000 / 4000 / 5000 / 6500
DRIVER	Mounted Internally
DIMENSIONS (MM)	W50 x H70
LENGTHS (MM)	570 / 1130 / 1410 / 1690 / 2250
MAX LINKABLE LENGTH	60m or power <2400W
WEIGHT (KG)	0.88 / 1.48 / 1.82 / 2.36 / 2.96
DIMMABLE	0-10V and DALI optional
CRI	>80 / 90 / 95
WARRANTY	5 Years

# DIMENSIONS



[amphiscommercial.com.au](http://amphiscommercial.com.au)

