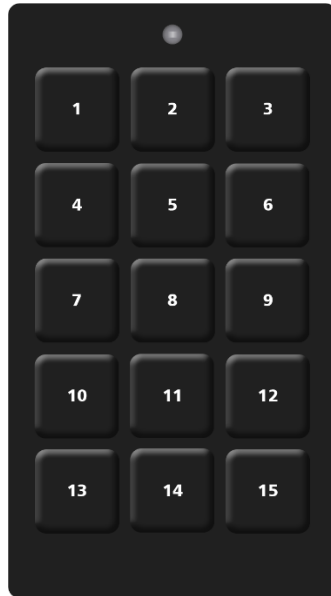


AHD-USP (V2)

Universal panel with LED indicators and buttons



- ***Compact, multi-purpose control panel***
- ***Usable on the bridge due to automatically dimmed illumination of the button elements***
- ***Device front with LED displays and buttons, customizable arrangement***
- ***8 relay outputs for output of control signals with button commands or CAN bus, for example remote control on panel PC***
- ***8 optocoupler inputs for capturing external binary contacts, for example relay outputs, sensors or command transmitters***

Function

AHD-USP (V2) is a universal control panel that can be used anywhere on a ship, including the bridge or the cabins. The device can be freely configured according to customer requirements. Combined versions with LED indicators and buttons as well as individual labeling can be created. If LEDs are not used, a maximum of 15 buttons is possible.

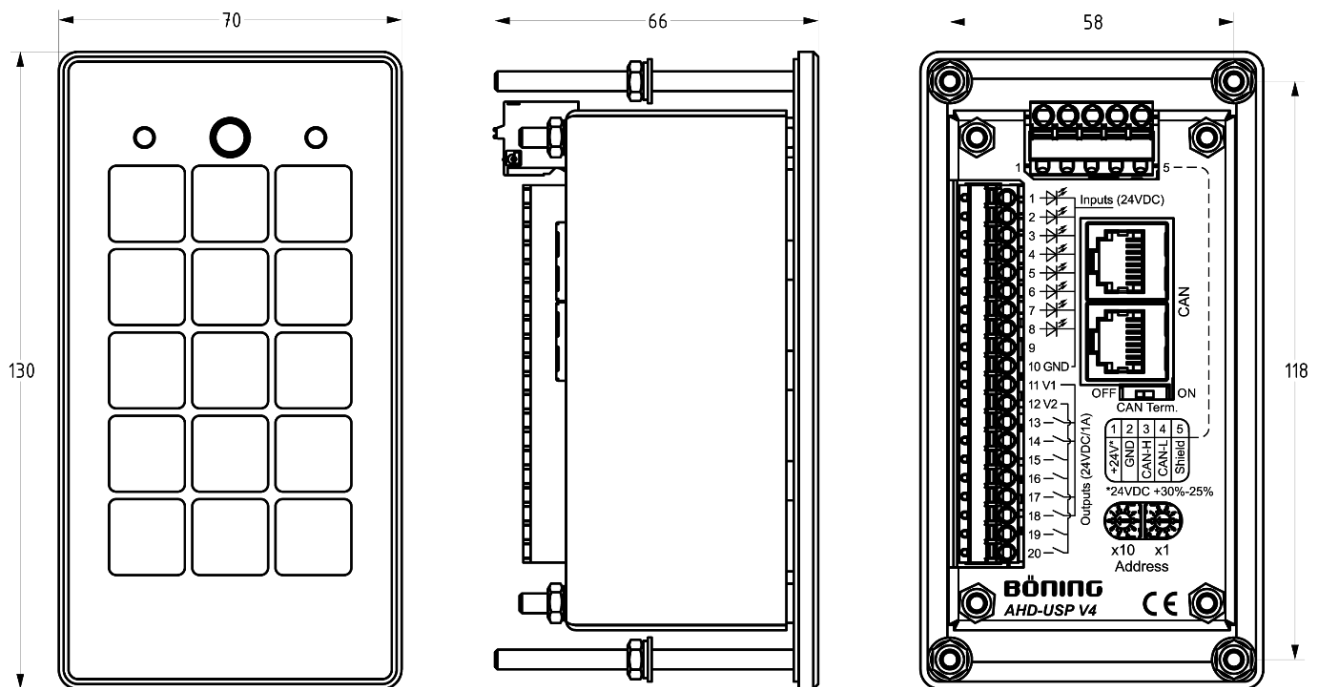
A button press is sent to the CAN bus and can, for example, switch on a pump or cabin lighting in the ship's Böning system.

The 8 output relays of AHD-USP (V2) can be controlled via push-button or via the Böning CAN bus.

AHD-USP (V2) is suitable for use as a custom panel and can be used in projects with an "integrated bridge". This makes possible a consistent design with other Böning bridge components.

AHD-USP (V2) designed for installation in control desks and walls.

Views and dimensions



Example: AHD-USP (V2) with 15 push-buttons (with internal processor module "V4")
(Panel cutout = 60 x 110 mm)

Technical Data

Dimensions W x H x D	70 x 130 x 66 mm
Panel cutout	60 x 110 mm
Mounting	Console or wall mounting
Weight	Approx. 0.35 kg
Ambient temperature	-25°C ... +75°C
Storage temperature	-30°C ... +85°C
Protection class	IP 56 (front side) IP 20 (rear side)
Power supply	24 V DC (+30% / -25%)
Current consumption	Max. 130 mA (24 V DC)
Item number	21373
Approvals	DNV, LR

Interfaces	1 x CAN bus:
	- RJ45 (IN/OUT) - Terminal strip
	Activation of bus termination via switch
	8 x optocoupler input (18...32 V DC), potential-free, common return wire
	8 x Relay (24 V DC, max. 1 A) potential-free, 2 groups, each with a common return wire