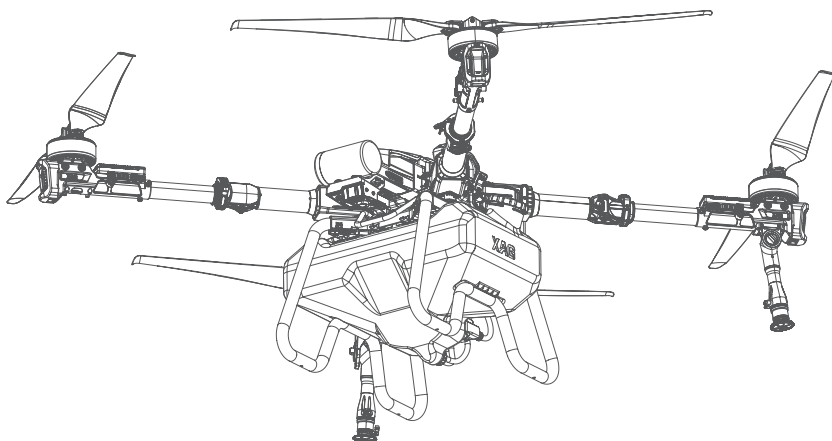


XAG P100 Pro

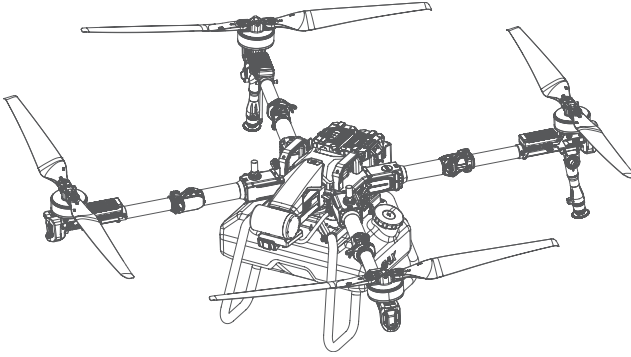
Type: 3WWDZ-50AH

Technical Specifications

Version AU V1.0 [EN](#)

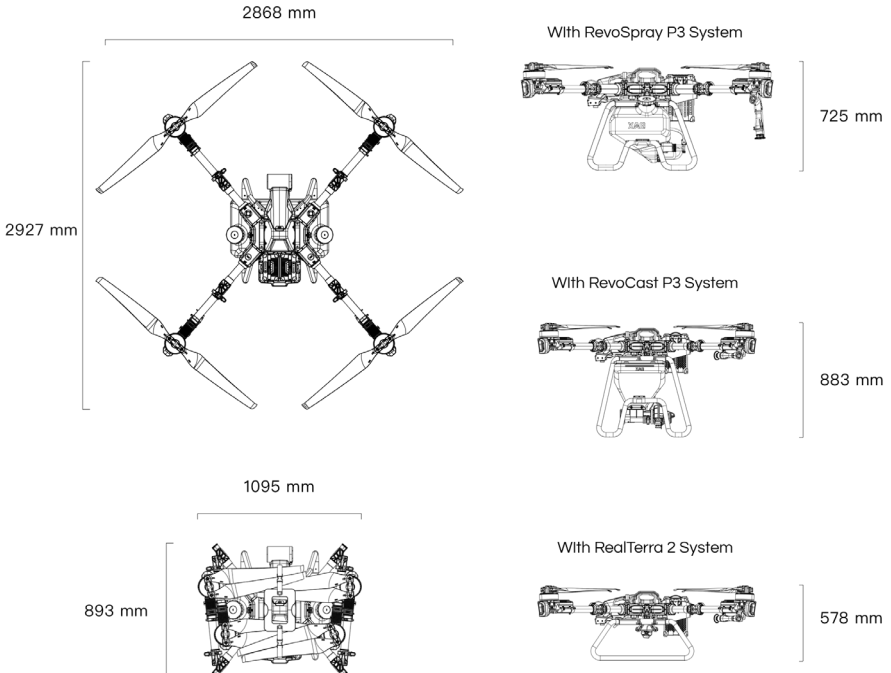


TECHNICAL SPECIFICATIONS



P100 Pro Agricultural RPA

Model	3WWDZ-50AH
Flight Control System	SuperX4 Pro (Online RTK)
IP Rating	IPX6K
Arm Material	Glass Fibre + Carbon Fibre Material
Diagonal Wheelbase	2094mm



Propulsion System

Motors	
Model	A50
Stator Dimension	136mm x 30mm
Max Power	4100W / Motor
Max Tension	52KG / Motor
KV Value	68RPM / V
ESCs	
Model	VC13230
Max. Continuous Working Current (30s)	110A
Max. Output Current	230A
Foldable Propellers	
Model	P5515
Diameter x Pitch	55 x 15 inch
Diameter	1420mm

Flight Parameters

Total Weight (No Module + Battery)	46.00 Kg
Empty Weight (Empty Container + Battery)	54.00 Kg (With RevoSpray P3) 60.50 Kg (With RevoCast P3)
Max Take-off Weight (Full Container + Battery)	104.00 Kg (With RevoSpray P3) 110.00 Kg (With RevoCast P3)
Max. Thrust-Weight Ratio	1.8
Load Ratio	0.45
Hovering Time ^[1]	16.5min (Take-off weight of 54Kg @20000mAh x 2) 6.0min (Take-off weight of 104Kg @20000mAh x 2)
Max. Operating Speed	13.8m/s (With Good GNSS Signal)
Max. Flying Height	100m
Max. Configurable Flight Radius	1,000m
Max Service Ceiling Above Sea Level ^[2]	2,000m
Max. Wind Resistance	10m/s
Recommended Operating Temperature	0°C to 40°C
RTK / GNSS Operating Frequency	GPS: L1/L2 GLONASS: L1/L2 BDS: B1/B2 Galileo: E1/E5b

Hovering Accuracy Range (With Strong GNSS Signal)	RTK Enabled: ±10cm (Horizontal) ±10cm (Vertical) RTK Disabled: ±0.6m (Horizontal) ±0.3m (Vertical) (Radar Enabled ±0.1m)
Sustainable High Precision Navigation (with RTK Delay)	≤600s
Operating Frequency	2.4000GHz – 2.4835GHz, 5.725GHz – 5.845GHz
Transmission Power (EIRP)	2.4GHz: ≤20 dBm (SRRC) 5.8GHz: ≤33 dBm (SRRC)
2G Operating Frequency	CE: DCS 1800: 1710.2 – 1784.8MHz GSM900: 880.2 – 914.8MHz FCC: GSM850, PCS1900 ANATEL: GSM850, GSM900, GSM1800, GSM1900
2G Max. Transmit Power	Class 1 (30dBm) for DCS1800 Class 4 (33dBm) for EGSM900
3G Operating Frequency	CE: WCDMA Band 1 1920 ~ 1980MHz, 2210 ~ 2170 MHz WCDMA Band 5 880~915MHz, 925 ~ 960MHz FCC: WCDMA B2, B4 KCC: WCDMA B1 ANATEL: WCDMA B1, B2, B6, B8 MIC: WCDMA B1, B5, B6, B8, B19
3G Max. Transmit Power	Class 3 (24dBm) for WCDMA bands
4G Operating Frequency	CE: Band 1, 3, 7, 8, 20, 28, 38, 40 FCC: Band 2, 4, 5, 7, 12, 13, 25, 26, 38, 41 KCC: Band 1, 3, 5, 7, 8 ANATEL: Band 1, 3, 4, 8, 25, 26, 28, 39, 40, 41 MIC: Band 1, 3, 5, 8, 18, 19, 26, 28, 41
4G Max. Transmit Power	Class 3 (24dBm) for LTE-TDD bands

PSL Camera

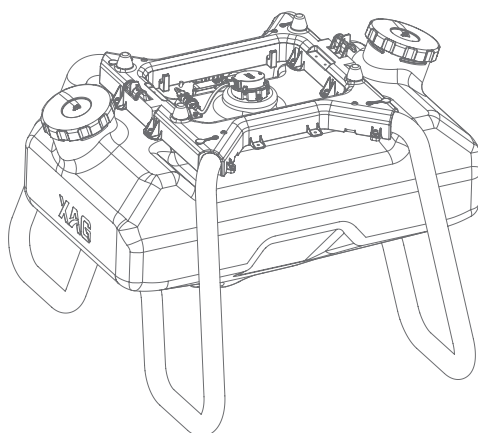
Model	RD24412
Operating Voltage	Forward PSL: 48V Downward PSL: 5V
Resolutions	720P / 1080P
Frame Rate	30fps
Coding Format	H.264
Focal Length	3.2mm
Image Sensor	1/2.9-inch CMOS-RGB Image sensor

Obstacle Sensor & Avoidance System

4D Imaging Radar ^[3]		
Model	RD24912	
Operating Frequency	24 GHz	
Voltage	24V ~ 60V	
Power Consumption	12W	
Sensing Range	1.5m ~ 80m	
Sensing Mode	Millimetre-wave Imaging, MIMO	
Sensing Parameters	Obstacle's Position, Distance, Direction and Relative Speed	
Field of View (FOV)	Horizontal:	±40°
	Vertical:	+90° to -45°
Safety Limit Distance ^[4]	2.5m	
Working Conditions	Relative Height:	≥ 1.5m
	Relative Speed:	≤ 13.8m/s

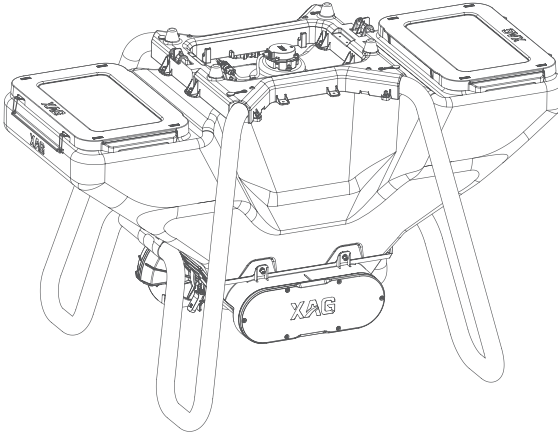
Terrain Sensor		
Model	TR24S100	
Voltage	12V	
Power	1.5W	
Sensing Mode	Millimeter-wave	
Operating Frequency	24GHz	
Altitude detection range	0.5 ~ 100m (Relative Height from Vegetation)	
Fixed Height Range	1.0 ~ 30m (Relative Height from Vegetation)	
Max. Gradient	45°	(Flight Speed ≤ 2m/s)

RevoSpray P3 System



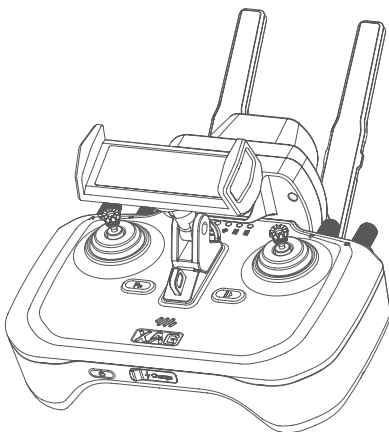
Model	M4TANP50A	
Dimensions	737mm x 738mm x 498mm	
Net Weight	7.83kg	
IP Rating	IPX6K	
Liquid Tank		
Material	PE	
Volume	50L	
Sensor	Liquid Level Sensor	
Centrifugal Atomizing Nozzles		
Nozzle Type	Centrifugal	
Quantity	2	
Spray Bar Length	151 mm	
Rotational speed of Spray disc	1000RPM ~ 16000RPM	
Spray Swath ^[5]	5m ~ 10m	
Droplet Size	60µm ~ 500µm	
Peristaltic Pump		
Quantity	2	
Voltage	50V	
Flow Rate ^[6]	0.5L ~ 11.0L/min	(Single Pump)
	1.0L ~ 22.0L/min	(Both Pump)

RevoCast P3 System



Model	M4RC-80A-P
IP Rating	IP65
Dimension	1059mm x 728mm x 651mm
Net Weight	14.00Kg
Rated Capacity	80L
Rated Load	50Kg
Spray Swath ^[5]	3m – 7m
Optimal Operating Temperature	0° C to 40° C
Storage Temperature	0° C to 40° C
Applicable granule Size	1-6mm (Dry Solid Granule)

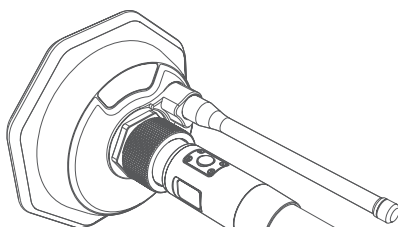
ARC3 Pro Remote Controller



Model	M3ARC3AH	
Dimensions	170mm x 135mm x 65mm	
IP Rating		
Supported Operating System	Android, IOS	
Battery Capacity	4932mAh, 7.38V	
Charging Temperature	0° C to 45° C	
Operating Temperature ^[7]	-20° C to 55° C	
Storage Temperature	-20° C to 55° C	Less than a Month
	-20° C to 45° C	One to three months
	-20° C to 25° C	Three months to one year
Charging Voltage / Current	5V / 2A	
	9V / 1.5A	
	12V / 1.5A	
RTK Operating Frequency	GPS:	L1/L2
	GLONASS:	L1/L2
	BDS:	B1/B2
	Galileo:	E1/E5b
Positioning Accuracy (With strong RTK Signal)	Vertical:	< 7.5cm + 1ppm (RMS)
	Horizontal:	< 5.0cm + 1ppm (RMS)
Max Transmission Distance ^[8] (Unobstructed, free of interference)	1000 Meters	
Operating Frequency	2.4000GHz – 2.4835GHz, 5.725GHz – 5.850GHz	
Transmission Power (EIRP)	2.4GHz:	≤20 dBm (SRRC)
	5.8GHz:	≤33 dBm (SRRC)

2G Operating Frequency	CE: DCS 1800: 1710 ~ 1785, 1805 ~ 1880MHz GSM900: 880 ~ 915, 925 ~ 960MHz FCC: GSM850, PCS1900 ANATEL: GSM850, GSM900, GSM1800,GSM1900
2G Max. Transmit Power	Class 1 (30±2dBm) for DCS1800 Class 4 (33±2dBm) for EGSM900
3G Operating Frequency	CE: WCDMA Band 1 1920 ~ 1980MHz, 2210 ~ 2170 MHz WCDMA Band 5 880~915MHz, 925 ~ 960MHz FCC: WCDMA B2, B4 KCC: WCDMA B1 ANATEL: WCDMA B1, B2, B5, B8 MIC: WCDMA B1, B5, B6, B8, B19
3G Max. Transmit Power	Class 3 (24dBm + 1/3-3dBm) for WCDMA bands
4G Operating Frequency	CE: Band 1, 3, 7, 8, 20, 28, 38, 40 FCC: Band 2, 4, 5, 7, 12, 13, 25, 26, 38, 41 KCC: Band 1, 3, 5, 7, 8 ANATEL: Band 1, 3, 4, 8, 25, 26, 28, 39, 40, 41 MIC: Band 1, 3, 5, 8, 18, 19, 26, 28, 41
4G Max. Transmit Power	Class 3 (23dBm±2dBm) for LTE-TDD bands

GNSS XRTK4 Mobile Station



RTK Positioning Module for Agricultural Use

Model	XRTK4
Dimensions (Diameter x Height)	154mm x 83.6mm (RTK Module) 154mm x 1230mm (RTK Module + Rod)
Weight	1.5 Kg (RTK Module)
Port/Panel	Button x 3, Positioning Indicator x 1 Networking Indicator x 1, Power Indicator x 1
IP Rating	IP65
Operating Temperature	-20° C to 60° C
Storage Temperature	-20° C to 60° C
Relative Humidity	100%, condensation
Warranty Details	12 Months

GNSS Performance & Specifications

Compatible motherboard	K726
GNSS Frequency	
BDS	B1I / B2I / B3I / B1C / B2a
GPS	L1 / L2 / L5
GLONASS	L1, L2, L2C,
Galileo	E1 / E5a / E5b
QZSS	L1 / L2 / L5
RTK Positioning Accuracy	
Horizontal	±10mm+1ppm (RMS)
Vertical	±15mm+1ppm (RMS)
Initialization time	Typical <10 seconds
Initialization Reliability	>99.9%
Data update rate	Maximum 20 Hz (Raw data) Maximum 20 Hz (Positioning data)

Communication Interface

1 CAN port;

3 mobile communication modules (2G/3G/4G);

1 dedicated 2.4GHz/5.8GHz WLAN.

Communication

Mobile communication network

Communication modules 2G/3G/4G

Protocols GSM, CDMA2000/EVDO, WCDMA, TD-SCDMA, LTE-FDD, LTE-TDD

Dedicated 2.4GHz/5.8GHz WLAN

Protocol supported Xlink Communication Protocol

Transmission performance Frequency range 2.400-2.4835GHz/5.735-5.835GHz

Channel spacing 20 MHz

Frequency error/ frequency stability ± 10 ppm

Communication mode Full duplex

Communication protocol Transparent

Forward error correction FEC

Data rate 6Mbps

Modulation OFDM

Emission performance RF output power Less than 1W
Subject to regional SRRC/FCC/CE standards

Reception performance Decoding sensitivity -90dbm

External Hardware Interface

Battery terminal $\times 1$

SIM card slot $\times 3$

Battery Extension Rod

Model B4100

Dimensions (Diameter x Height) 45mm x 1166mm

Capacity 7500mAh 99Wh

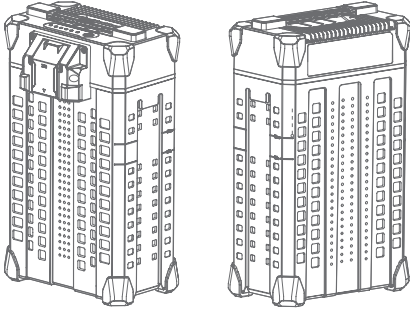
Input 12.0 V/1 A (Type-C port)

Output 14.4V/1A

Operating temperature -10°C to 45°C

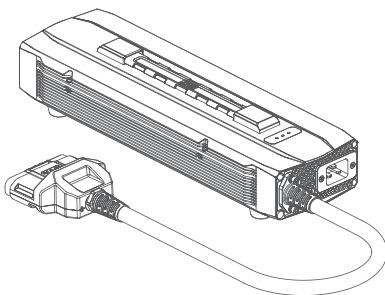
Port/Panel Power Button $\times 1$, Type-C Port $\times 1$,
Battery Level/Status Display Panel $\times 1$

Smart Battery



Model	B13960S
Dimensions	189mm x 139mm x 317mm
Weight	Approx. 6.7 kg
Battery Type	Lithium Polymer
Capacity	20000 m/Ah
Energy	962 Wh
Rated Output	48.1V / 120A
Operating Temperature	10° C to 45° C
Charging Temperature	10° C to 40° C
Storage Temperature	10° C to 30° C
IP Rating	IP65
Compatible Aircraft	XAG V40 2021
	XAG P40 2021
	XAG P100 2022
	XAG P100 Pro 2023
Compatible Chargers	CM12500P
	GC4000+
Charging Voltage	56.55V
Battery Charging Time	

Battery Charger



Model	M2CM1-3600A
Compatible Battery	B13860S (With Plug A1 Adapter) B13960S
Dimensions	383.5mm x 121mm x 79.4mm
Weight	4.6 Kg
Operating Temperature	-20° C to 40° C
Storage Temperature	-20° C to 40° C
Cooling Mode	Forced Air cooling
Input	AC 100~120 Vac 50/60 Hz 15.0 A AC 220~240 Vac 50/60 Hz 16.0 A
Output	DC 56.6 Vdc-35 A (Max)/1300 W (100~120 Vac 50/60 Hz) DC 56.6 Vdc-80 A (Max)/3400 W (220~240 Vac 50/60 Hz)

[1] Hovering time acquired at sea level with wind speeds lower than 3m/s.

[2] The maximum load needs to be reduced by 12% for each additional 1,000m in altitude above 2,000m.

[3] The effectiveness of the Obstacle radar is dependent on the obstacle's material, location, distance, shape, size, relative velocity, etc.

[4] Distance between the propeller tip and the obstacles after braking and hovering.

[5] A spray width of 8m is recorded under the flight height of 3±0.5m, the flight speed of 3m/s and flow rate (single pump) of 5L/min. For reference only.

[6] The actual minimum flow rate varies depending on route spacing, flight speed, flight conditions, etc.

[7] The remote controller's battery performance might be affected when the ambient temperature for operating is lower than -5° C.

[8] This is the result of tests conducted outdoors (with no obstruction or interference) in line with FCC standards. It is not necessarily the actual effective range and is for reference only.



Copyright©2023 XAG Australia All Rights Reserved

The copyright of all information in this user manual (including but not limited to any text description, illustrations, photos, methods, processes, etc.) belongs to XAG Australia and is protected by copyright law. No individual or organization may imitate, extract, translate, distribute or reproduce or quote all the contents of this manual without any written authorization.