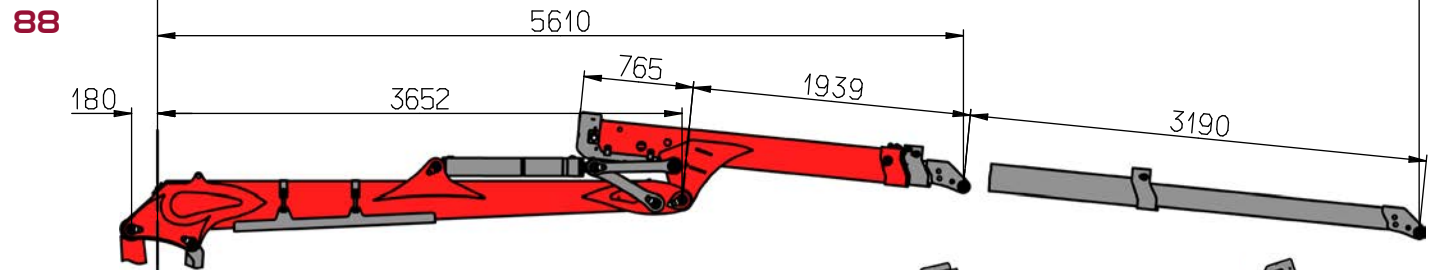
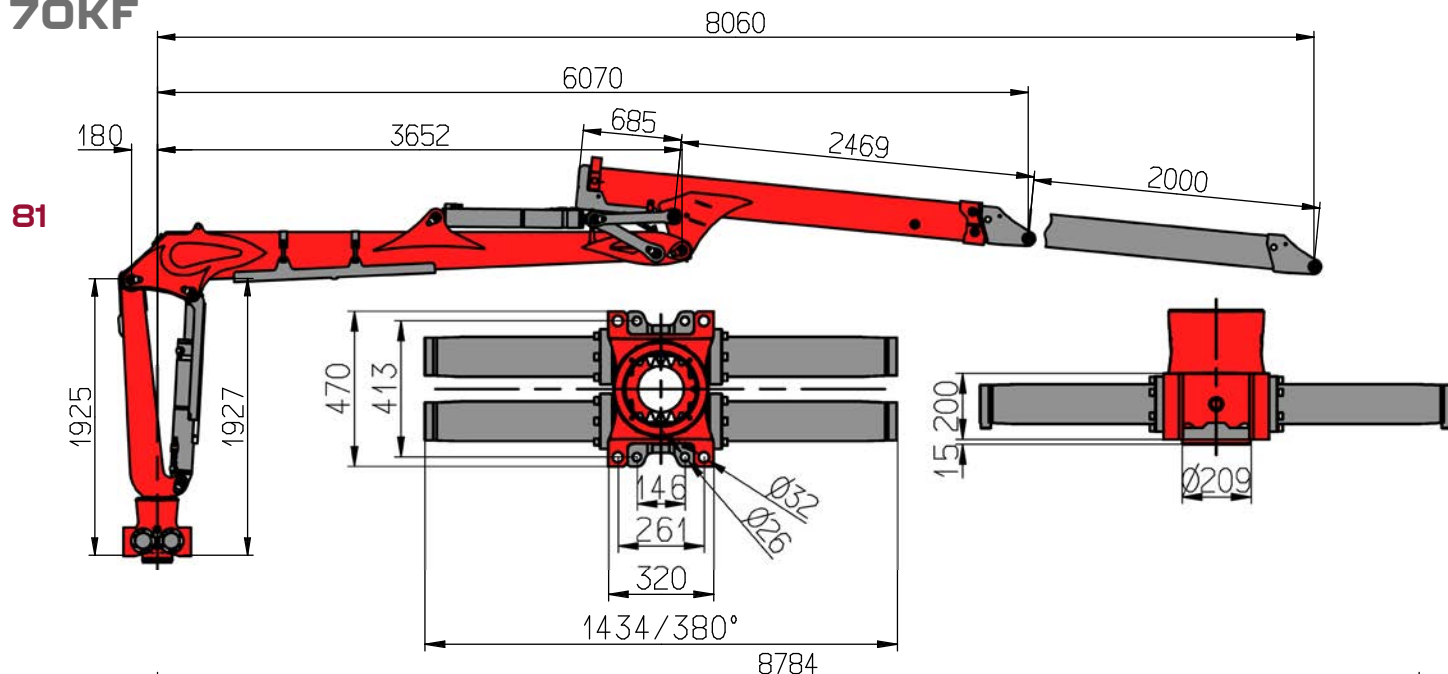


DOT PRO - Forwarder line

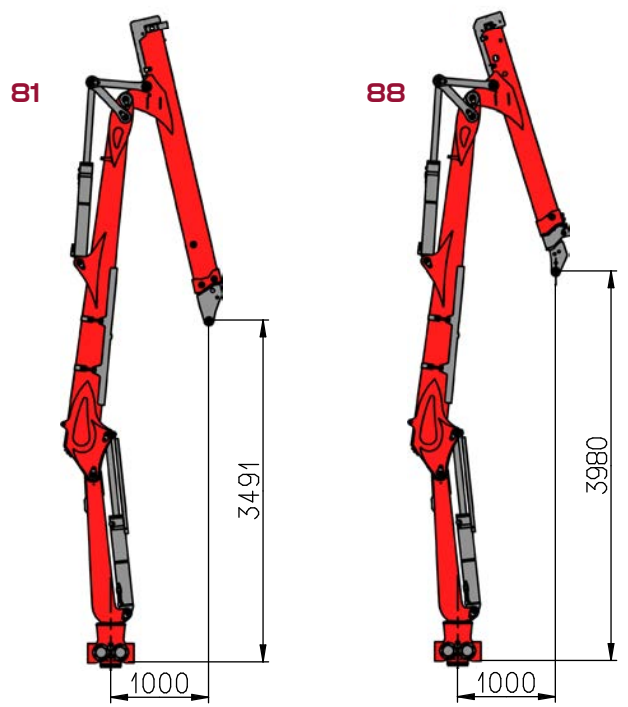


70KF



81	[kg]	2220	1780	1500	1280	1080	840
	[m]	3	4	5	6	7	8

88	[kg]	2280	1720	1410	1170	990	850
	[m]	3	4	5	6	7	8



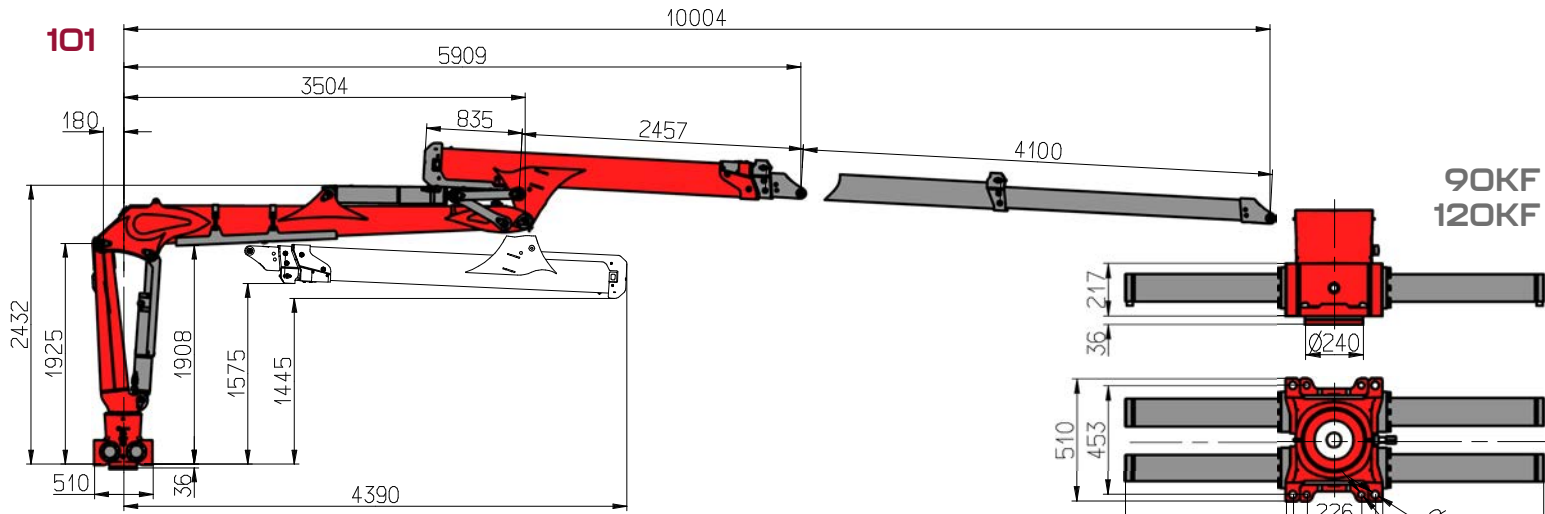
1/2

	70KF		90KF			120KF			150KF		
	81	88	80	87	101	80	87	101	80	87	101
Tm [kNm]	75	71	94	93	90	117	116	112	149	147	144
α [°]	380		390			390			390		
Q [l/min]	1x60/ 2x50/ 1x120LS		1x90/ 2x80/ 1x150 LS			1x90/ 2x80/ 1x150 LS			1x90/ 2x80/ 1x150 LS		
σ [MPa]	21		24			24			25		
h_{max} [mm]	8060	8784	7994	8707	10055	7994	8707	10055	7994	8707	10055
M_{max} [kNm]	22		28			28			28		
h [mm]	2000	3190	2030	3200	4100	2030	3200	4100	2030	3200	4100
W [kg]	1370	1450	1620	1660	1720	1840	1870	1940	2050	2080	2140

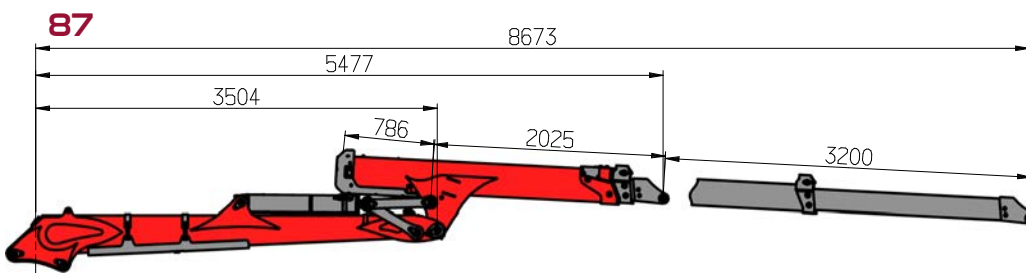
Navedene vrednosti so informativne in neobvezujoče. Prilazujemo si pravico do tehničnih sprememb! Listewerte nur annäherend und unverbindlich. Änderungen vorbehalten!
Listed values without obligation. All technical details are subject to alterations without notice! Dati, descrizioni ed illustrazioni sono indicativi e non impegnano il costruttore!

DOT PRO - Forwarder line

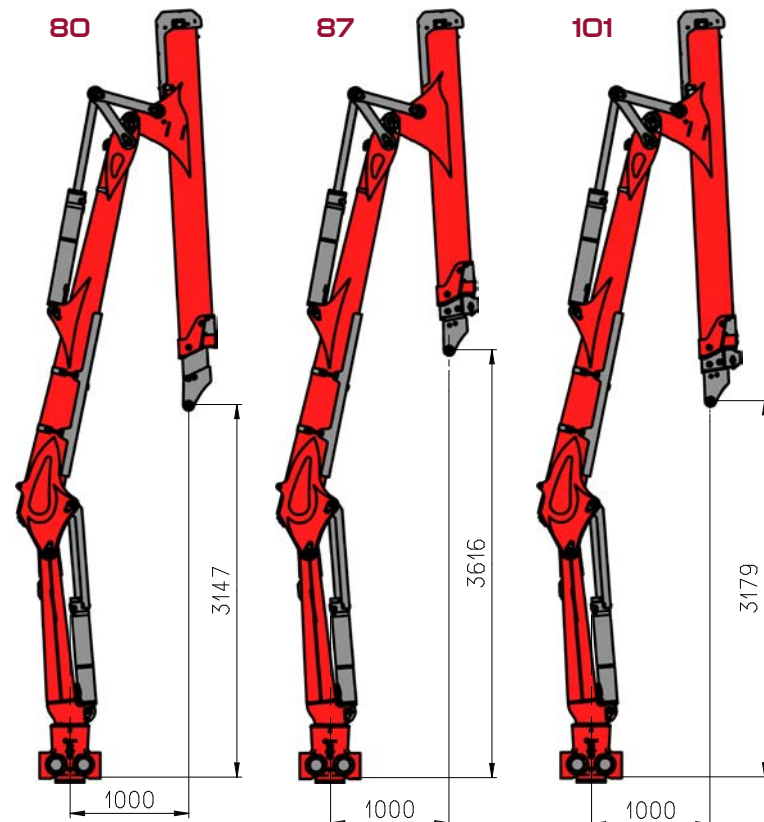
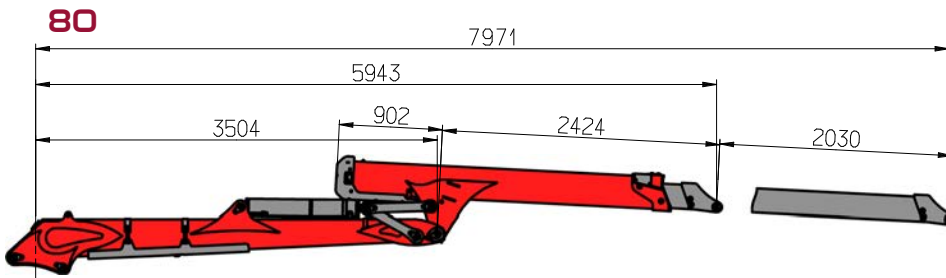
90KF/ 120KF/ 150KF



90KF
120KF



150KF



90KF	[kg]	2600	2025	1702	1460	1240	1075	940	785
120KF		3240	2530	2130	1840	1560	1350	1100	840
150KF		4160	3250	2740	2350	2005	1740	1405	1210
101	[m]	3	4	5	6	7	8	9	10



90KF	[kg]	2860	2190	1825	1530	1305	1130
120KF		3520	2710	2250	1890	1615	1390
150KF		4470	3440	2850	2390	2050	1780
87	[m]	3	4	5	6	7	8



90KF	[kg]	2720	2180	1780	1540	1310
120KF		3330	2610	2250	1920	1640
150KF		4250	3330	2820	2430	2080
80	[m]	3	4	5	6	7