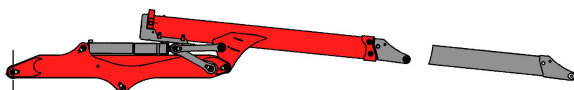
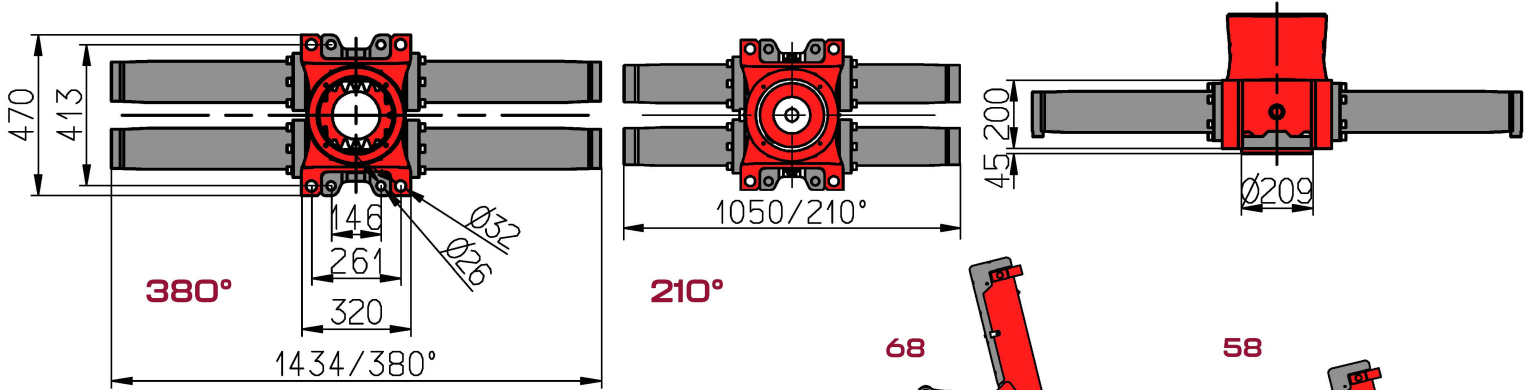
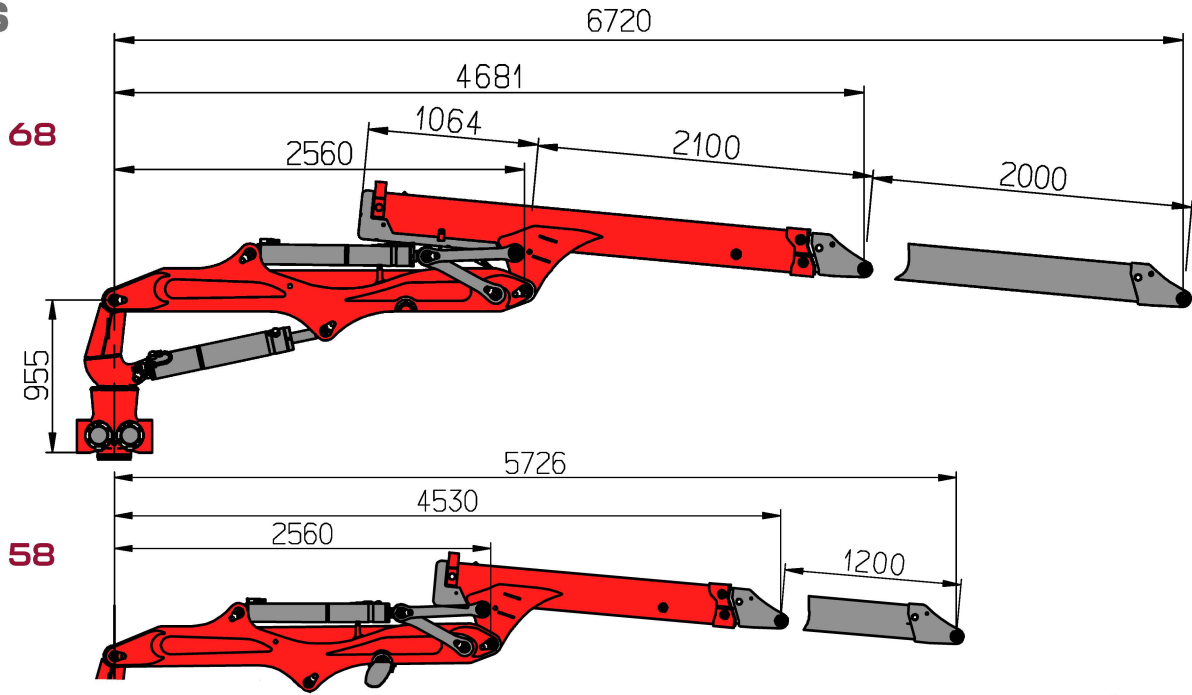
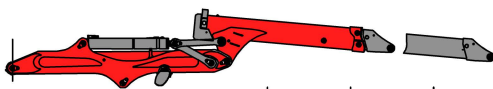


# DOT PRO - Skidder line

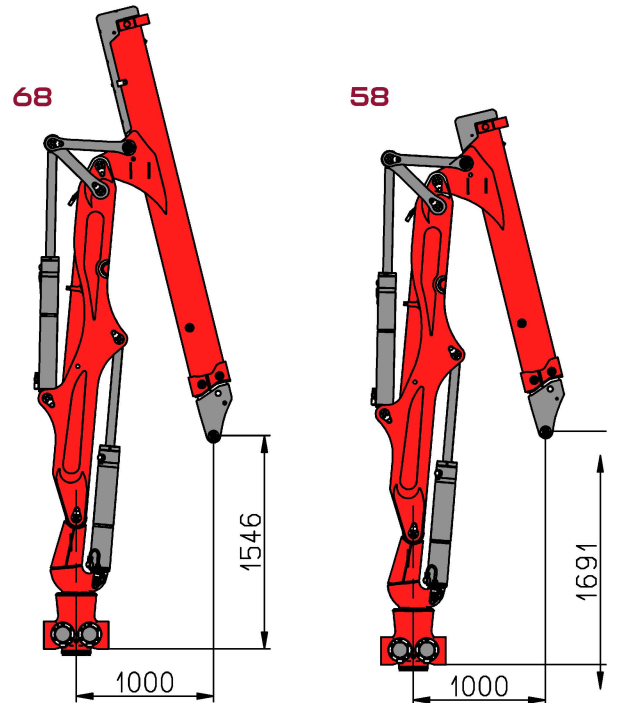
## 70KS



<b>68</b>	[kg]	2370	1860	1480	1220
	[m]	3	4	5	6



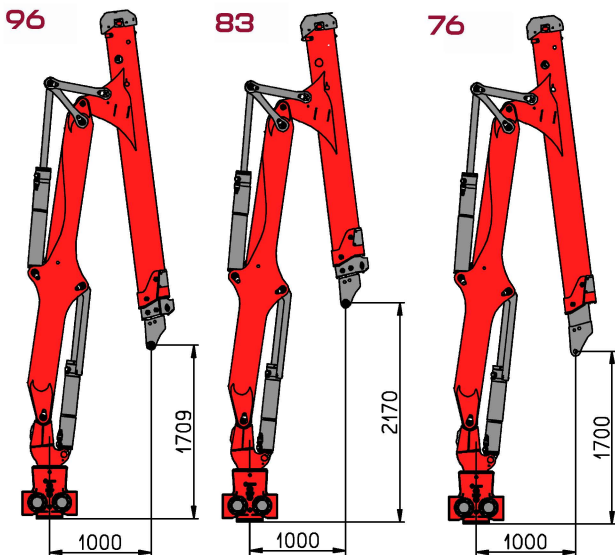
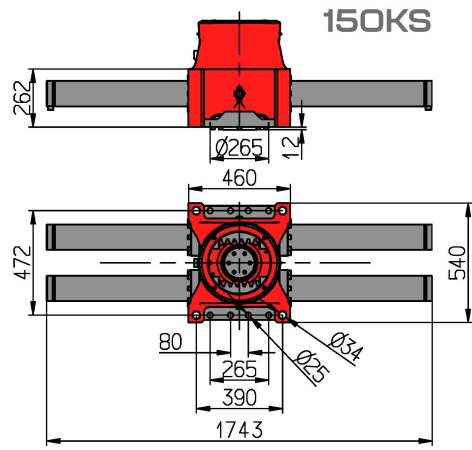
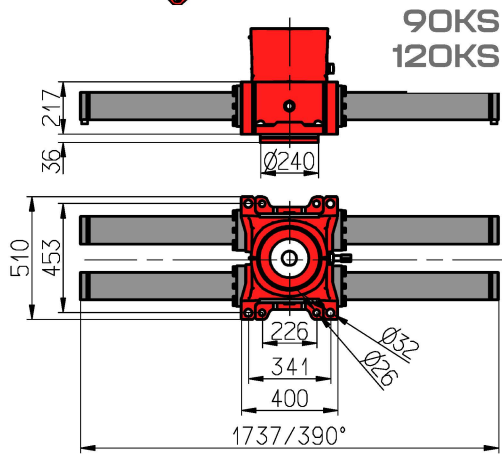
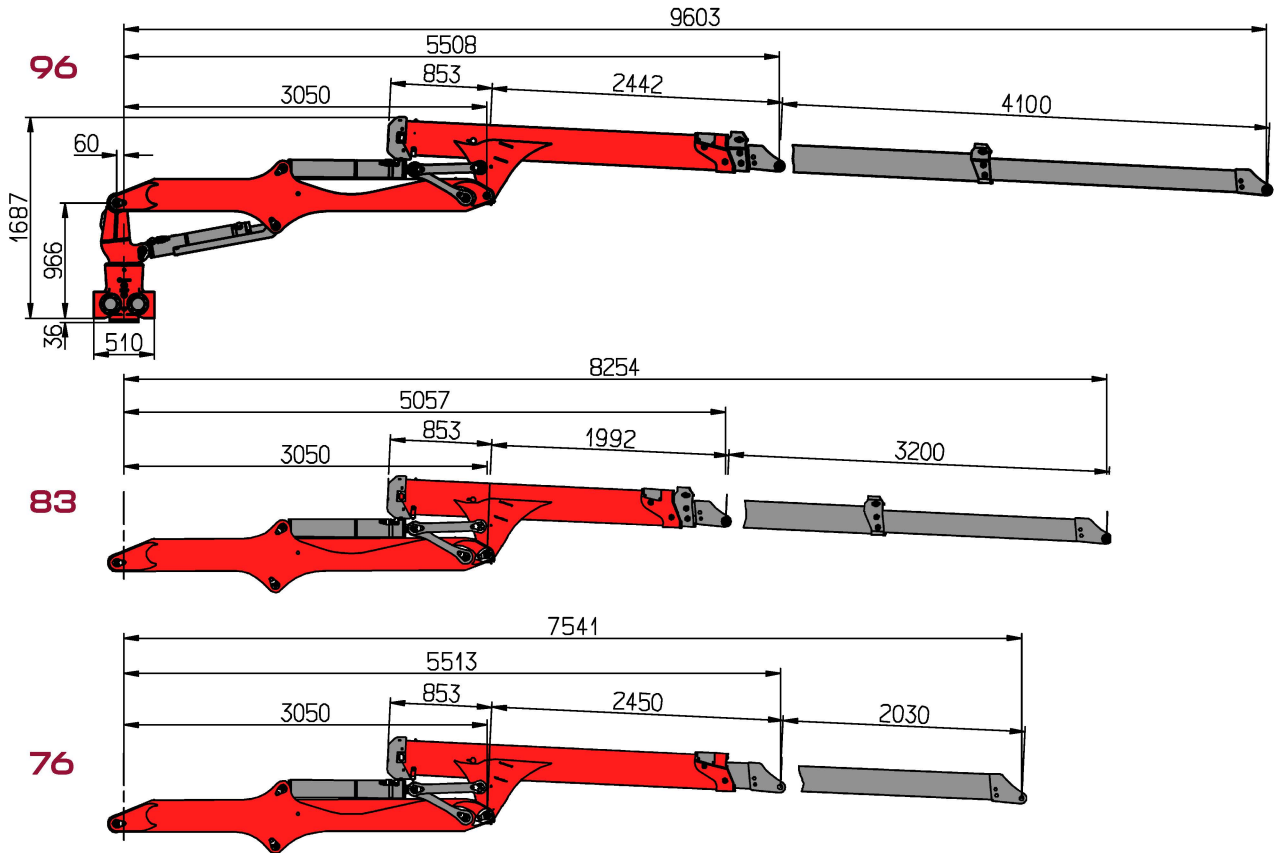
<b>58</b>	[kg]	2400	1860	1460
	[m]	3	4	5



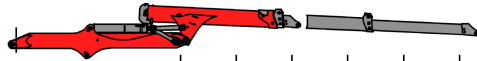
	70KS			90KS			120KS			150KS		
	58	68	76	83	96	76	83	96	76	83	96	
<b>Tm</b> [kNm]	75	74	94	93	90	118	118	113	147	147	143	
<b>Q</b> [°]	380			390			390			390		
<b>Q</b> [l/min]	1x60/ 2x50/ 1x120LS			1x90/ 2x80/ 1x150 LS			1x90/ 2x80/ 1x150 LS			1x90/ 2x80/ 1x150 LS		
<b>W</b> [MPa]	21			24			24			25		
<b>t<sub>max</sub></b> [mm]	5726	6720	7541	8254	9603	7541	8254	9603	7541	8254	9603	
<b>H</b> [kNm]	22			28			28			28		
<b>t</b> [mm]	1200	2000	2030	3200	4100	2030	3200	4100	2030	3200	4100	
<b>G</b> [kg]	1080	1170	1380	1420	1460	1520	1570	1610	1780	1830	1890	

# DOT PRO - Skidder line

## 90KS/ 120KS/ 150KS



90KS	[kg]	2840	2220	1810	1480	1250	1080	950
120KS		3560	2830	2350	1940	1650	1303	1060
150KS		4500	3510	2860	2360	2010	1740	1470
<b>96</b>	[m]	3	4	5	6	7	8	9



90KS	[kg]	2910	2280	1870	1540	1310	1130
120KS		3660	2900	2410	2000	1700	1340
150KS		4560	3580	2920	2420	2060	1785
<b>83</b>	[m]	3	4	5	6	7	8



90KS	[kg]	2920	2300	1890	1560	1320
120KS		3680	2910	2430	2010	1710
150KS		4580	3590	2940	2440	2080
<b>76</b>	[m]	3	4	5	6	7

Navedene vrednosti so informativne in neobvezujoče. Pridržujemo si pravico do tehničnih sprememb! Listewerte nur annäherend und unverbindlich. Änderungen vorbehalten!  
Listed values without obligation. All technical details are subject to alterations without notice! Dati, descrizioni ed illustrazioni sono indicativi e non impegnano il costruttore!