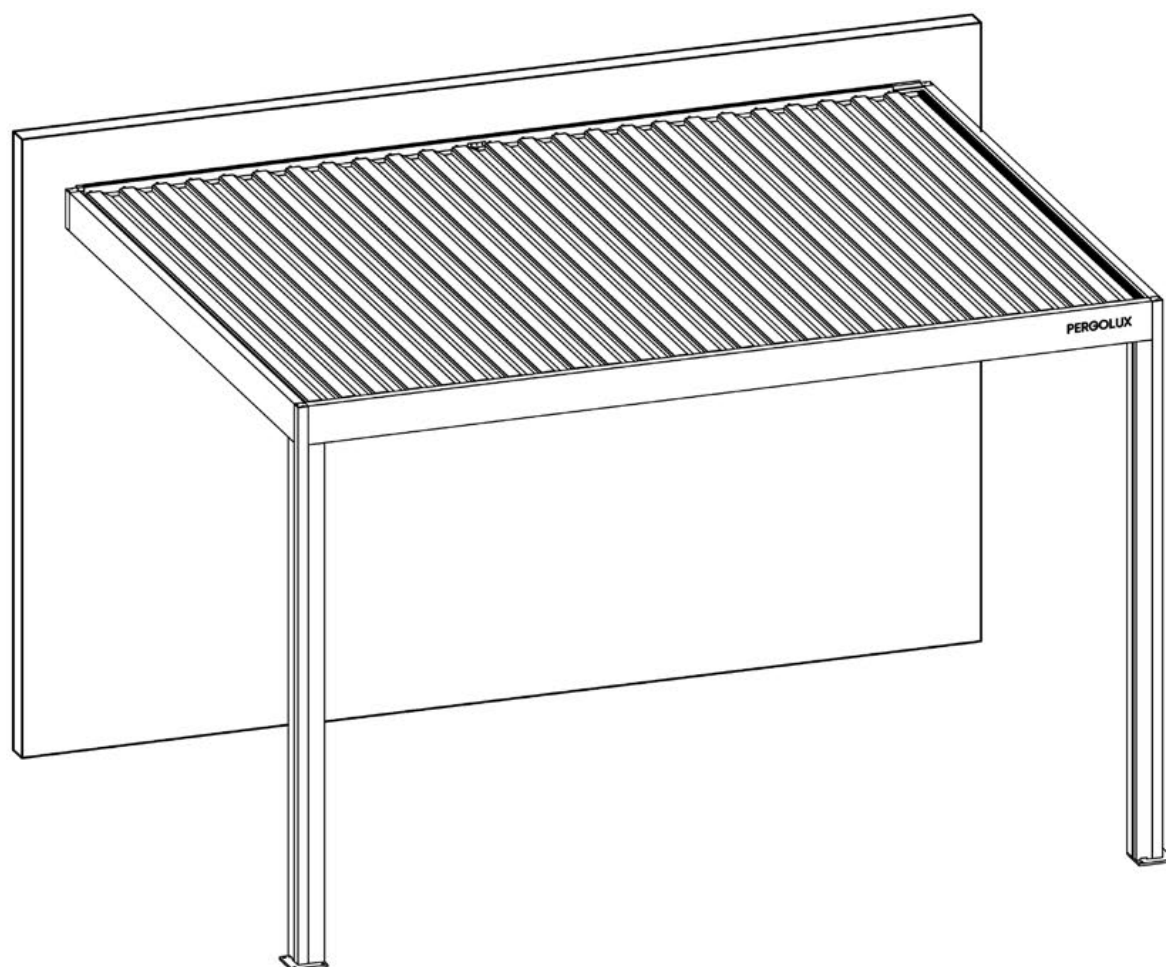


S2/S3

# SUNDREAM



**3x4m / 10'x13'**  
WALL MOUNTED

**PERGOLUX**



Designed and  
developed  
in Norway



Type Approved  
Regular  
Production  
Surveillance

www.tuv.com  
ID 1111293124

# INFORMATION



## INSTALLATION INSTRUCTIONS:

Ensure all parts are present and undamaged before starting the assembly.

Secure to a solid foundation with the correct fasteners for your foundation.

(If applicable) Install motors and wiring as shown. Ensure the electric parts are off during installation.

Use the correct lifting and installation equipment.

### SAFETY WARNINGS:

Keep children and pets away during installation.

Do not operate the structure if parts are loose or improperly installed.

Ensure the structure is securely anchored to prevent accidents.

Do not stick fingers or anything between the louvre.

### MAINTENANCE:

Regularly clean the aluminum structure to maintain its appearance and prevent the accumulation of dirt.

Also, make sure to clean the gutters regularly. Inspect moving parts for wear and lubricate as necessary.

Check anchor points periodically to ensure stability.



## INSTALLATIONSANLEITUNG:

Stellen Sie sicher, dass alle Teile vorhanden und unbeschädigt sind, bevor Sie mit der Montage beginnen.

Befestigen Sie sie mit den richtigen Befestigungselementen für Ihr Fundament auf einem soliden Fundament.

(Falls zutreffend) Installieren Sie Motoren und Verkabelung wie gezeigt. Stellen Sie sicher, dass die elektrischen Teile während der Installation ausgeschaltet sind.

Verwenden Sie die richtige Hebe- und Installationsausrüstung.

### SICHERHEITSHINWEISE:

Halten Sie Kinder und Haustiere während der Installation fern.

Betreiben Sie die Struktur nicht, wenn Teile lose oder nicht richtig installiert sind.

Stellen Sie sicher, dass die Struktur sicher verankert ist, um Unfälle zu vermeiden.

Stecken Sie keine Finger oder andere Gegenstände zwischen die Lamellen.

### WARTUNG:

Reinigen Sie die Aluminiumstruktur regelmäßig, um ihr Aussehen zu erhalten und die Ansammlung von Schmutz zu verhindern.

Reinigen Sie auch die Dachrinnen regelmäßig. Überprüfen Sie bewegliche Teile auf Verschleiß und schmieren Sie sie bei Bedarf.

Überprüfen Sie die Ankerpunkte regelmäßig, um die Stabilität sicherzustellen.



Pergolux International GmbH, 9 Goethestraße,  
36043 Fulda,  
Germany

25

DOP-SUN-FSWM-S2S3

EN 13561:2015

Pergolux Sundream S2/S3

External use in buildings and other  
construction works

Resistance to wind loads: Class 6 (EN 13561)

# INFORMATION

---

## Congratulations and thank you for choosing a PERGOLUX Product!

To enjoy this product for a long time as well as for your own and others' safety, please follow the installation instructions. Before you start assembling and using the pergola, ensure that all the parts listed in the manual are delivered and intact. If you need help with the installation, you can contact us by chat, phone, e-mail or via our website.

*We wish you good luck with the assembling process!*

### Contact:



pergolux.de



pergolux.co.uk



pergoluxshop.com



pergolux.dk



pergolux.se



pergolux.no



Australia



pergolux.fr



pergolux.ch



pergolux.it



pergolux.nl



at.pergolux.de



pergolux.cl



pergolux.com.br

# INFORMATION

---

## Having some issues and need to submit a claim?

If you are faced to an issue with your PERGOLUX products and needs to submit a claim please read this article:



Complaints and Technical Issues



Reklamation einreichen. Schritt für Schritt Anleitung

Submit the claim here:



Anfrage einreichen



Submit a request



Anfrage einreichen



Send oss en henvendelse



Een aanvraag indienen



Skicka oss en förfrågan



Submit a request



Send os en forespørgsel



Submit a request



Envoyer une demande



Enviar una solicitud



Invia una richiesta



Enviar una solicitud

# SYMBOL EXPLANATION

---



Indicates the outside of the pergola structure.



This step may require extra force.



Indicates the inside of the pergola structure.



Key information to follow during installation.



Important! Be cautious when assembling or handling this part.



This item must be purchased separately.



Required tools for assembly.



Apply lubricant to make screw assembly easier.



Ensure grounding is connected before powering up.



Do not use a regular hammer to avoid damage.



Align slats according to sunlight direction for optimal shading.



AC Input



Repeat this step as many times as the number indicates



Motor



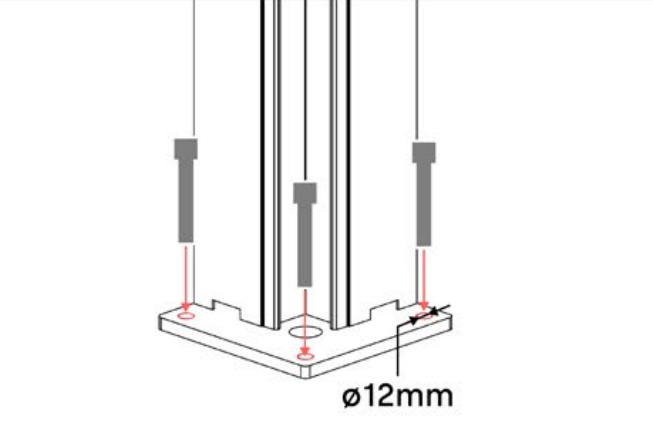
Turn around

# INFORMATION



PN-200000509

Use a high-quality, weather-resistant and mold-resistant adhesive and sealant to seal the corners of the pergola and prevent leakage. Look for products that are designed for outdoor use and provide a strong, long-lasting bond.



ø12mm

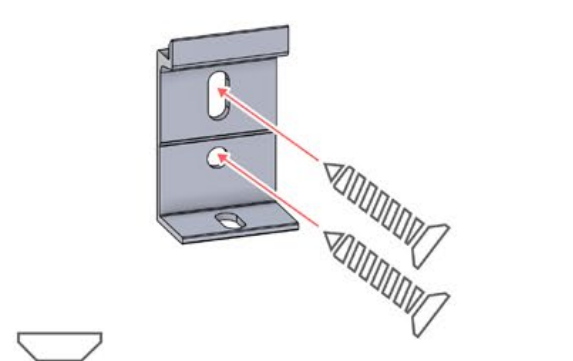
Use on concrete

Use on wood

x6

x6

You need to buy your needed screws to attach the pergola to the ground



x10

You need to buy your needed screws to attach the pergola to the wall



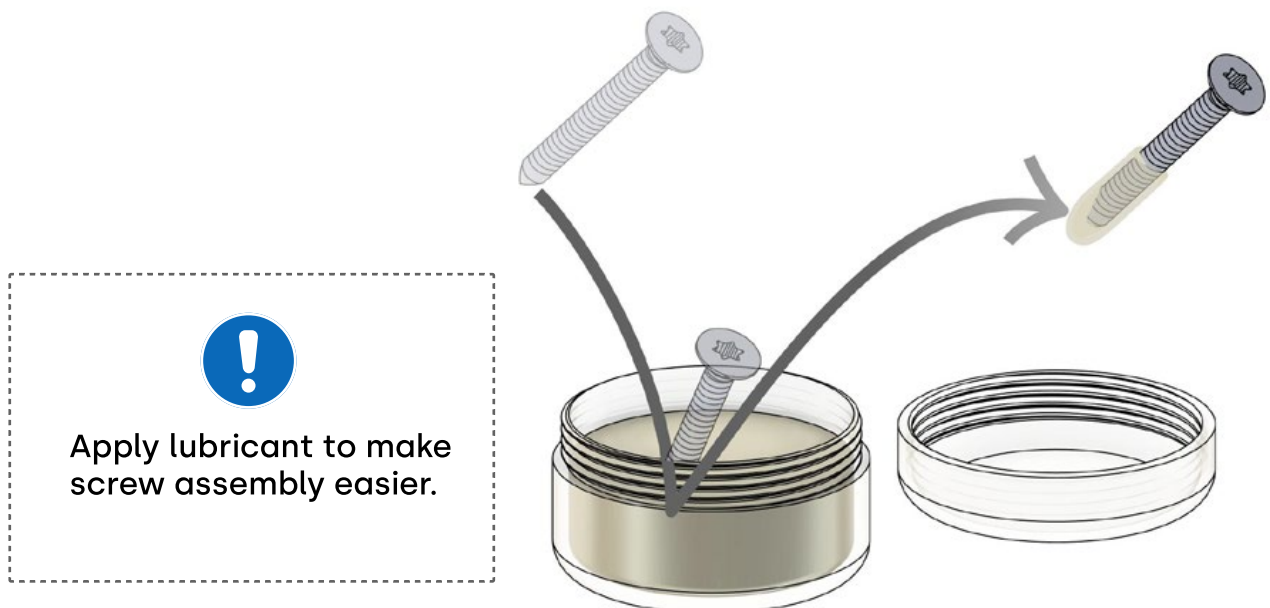
SHOP

# INFORMATION

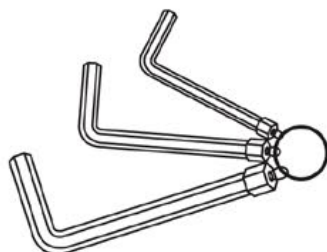
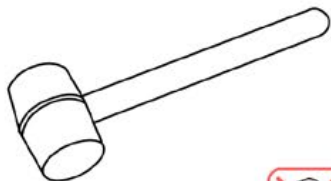
---

All screws from **PERGOLUX** are made of stainless steel, ensuring durability and resistance to rust. To prevent damage to screws, follow these guidelines:

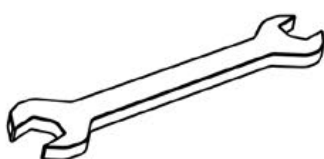
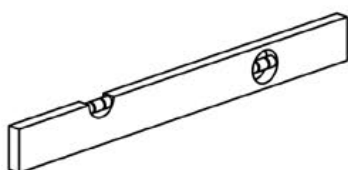
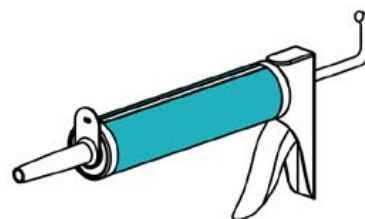
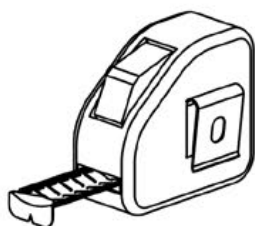
- **DO NOT OVERTIGHTEN:** Apply appropriate force to avoid stripping the threads.
- **CHOOSE THE CORRECT TOOL:** Use the proper screwdriver or bit to avoid damaging the screw head.
- **ENSURE PROPER USE:** With correct installation, screws will maintain their integrity and functionality over time.
- **USE LUBRICATION:** Apply lubricant to make screw assembly easier.



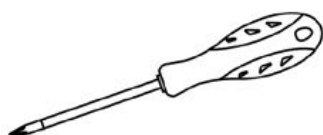
# TOOLS



3mm, 4mm, 5mm



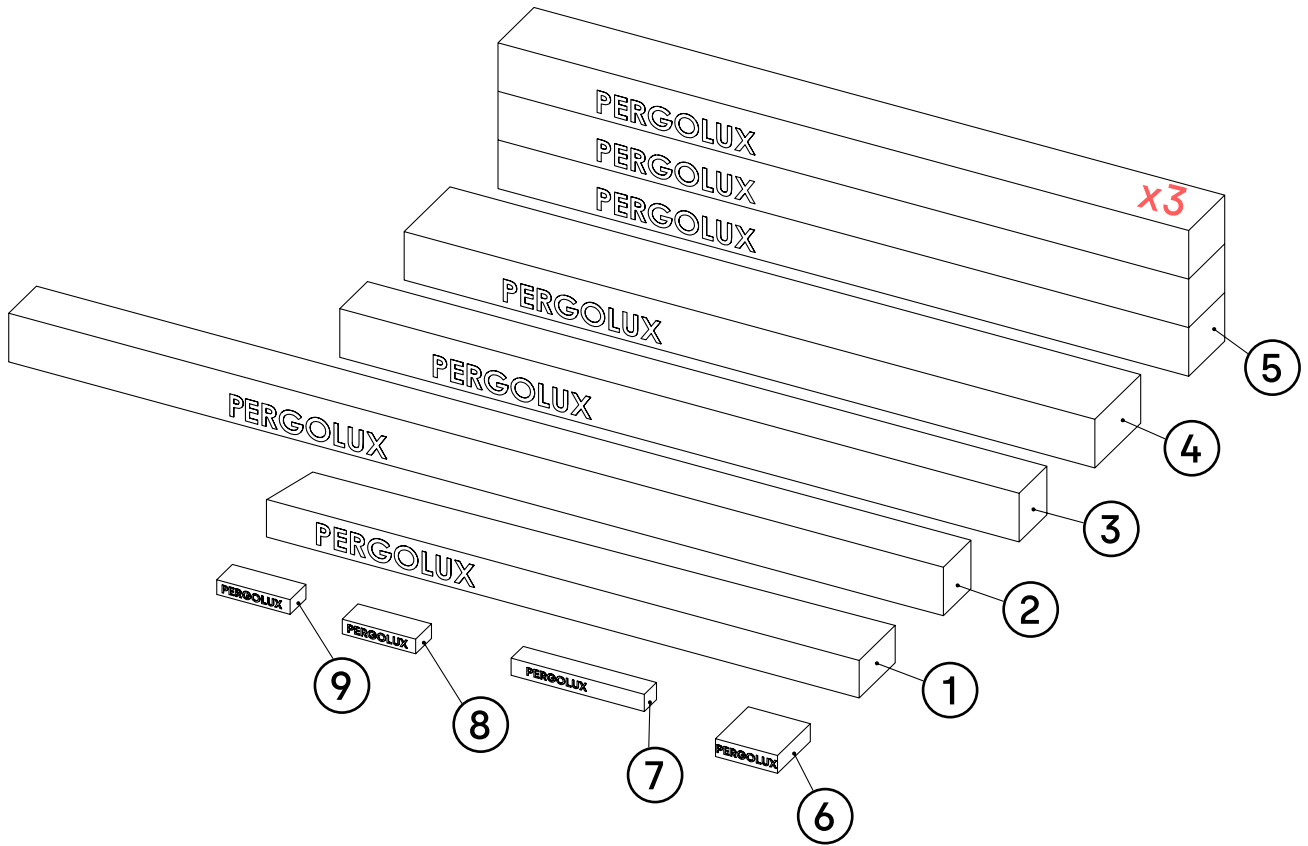
5,5mm, 7mm, 8mm,  
10mm, 13mm



TX15, TX20, TX25, TX30

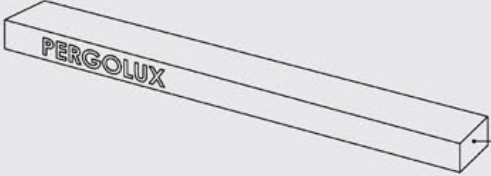
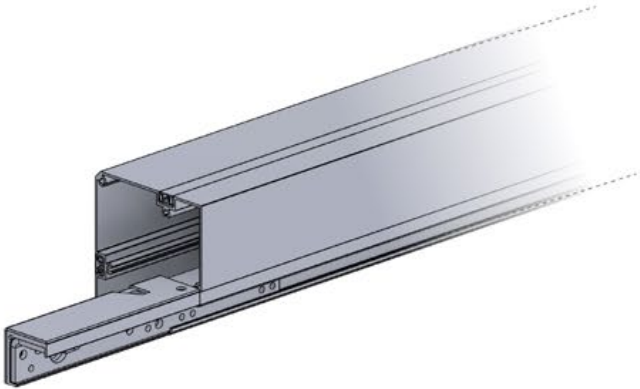
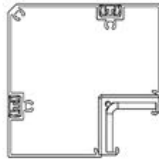
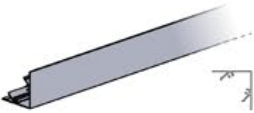
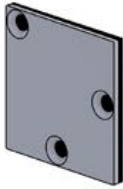

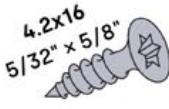


# PACKAGE OVERVIEW

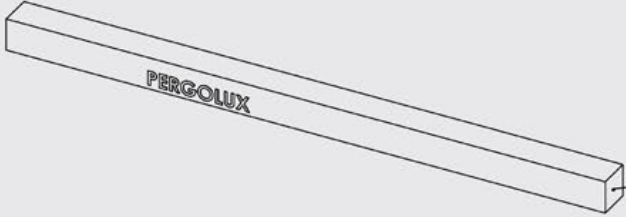
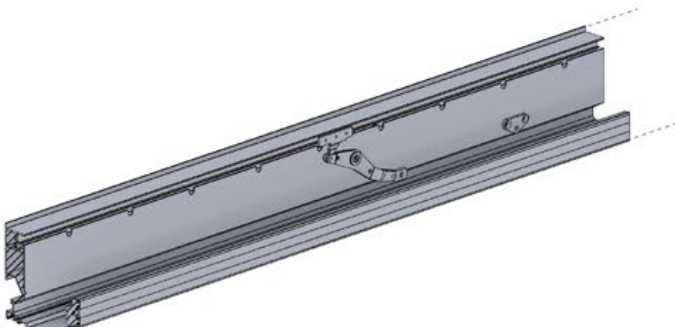


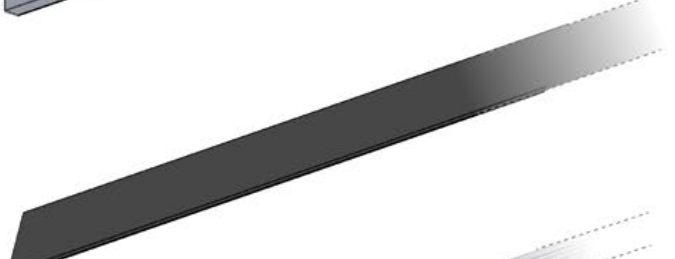



ORDER	ANTRACITE	WHITE	BLACK
①	C100	C101	C102
②	B157	B158	B159
③	B152	B154	B156
④	L149	L151	L153
⑤	L148	L150	L152
⑥	WHITE / RGB LED		
⑦	A107 - S2 MOTOR / A109 - S3 MOTOR		
⑧	CONTROL BOX		
⑨	POWER CABLE		

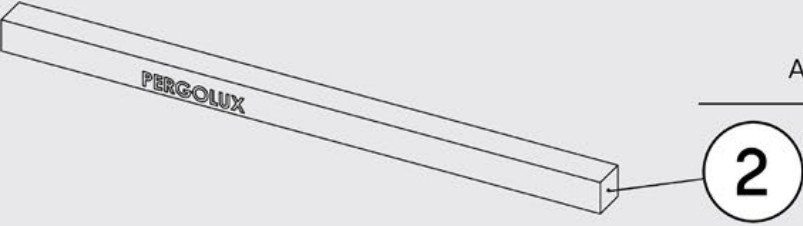



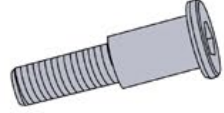

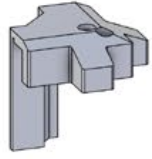




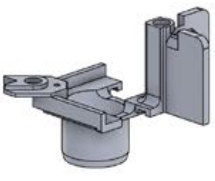

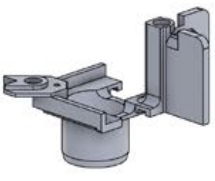

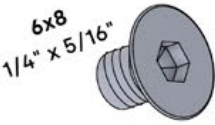
# ITEMS IN BOX

	ANTRACITE	WHITE	BLACK
	<span style="border: 1px solid black; border-radius: 50%; padding: 5px; display: inline-block; text-align: center;">1</span> C100	C101	C102
	 <p>CORNER POLE PN-200000559 <b>2x</b></p>		
 <p>PN-200000546 <b>2x</b></p>	 <p>PN-200000518 <b>K</b> <b>2x</b></p>		
 <p>PN-200000535 <b>B</b> <b>2x</b></p>	 <p>PN-200000840 <b>K</b> <b>6x</b></p>		
 <p>PN-200000560 <b>B</b> <b>10x</b></p>			

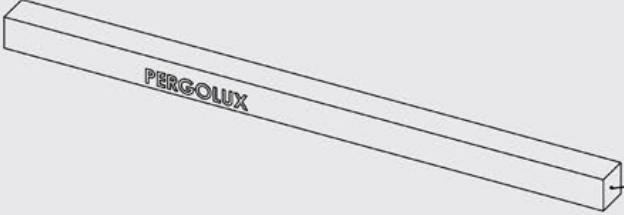
# ITEMS IN BOX

	ANTRACITE	WHITE	BLACK
	B157	B158	B159
	<p>L2 BEAM PN-200000557 <b>1x</b></p>		
<p>BEAM WITH PERGOLUX LOGO</p> 	<p>L1 BEAM PN-200000540 <b>1x</b></p>		
	<p>PN-200000558 <b>2x</b></p>		
	<p>PN-200000544 <b>1x</b></p>		
	<p>PN-200000533 <b>1x</b></p>		

# ITEMS IN BOX

		ANTHRACITE	WHITE	BLACK
		B157	B158	B159
	PN-200000960 <b>L</b> 4x			PN-200000529 <b>R</b> 25x
	PN-200000507 <b>J</b> 4x			PN-200000532 <b>R</b> 25x
	PN-200000568 <b>E M</b> 36x			PN-200000509 <b>L</b> 4x
	PN-200000677 <b>H</b> 25x			PN-200000569 <b>J</b> 8x
	PN-200000505 <b>O</b> 4x			PN-200001334 <b>T</b> 1x
	PN-200000571 <b>O</b> 4x			PN-200000969 <b>T</b> 1x
	PN-200000506 <b>M</b> 2x			PP02 <b>TOOLS</b> 1x
	PN-200000573 <b>S</b> 3x			

# ITEMS IN BOX

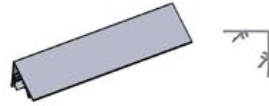
	<span style="border: 1px solid black; border-radius: 50%; padding: 5px 10px; font-weight: bold;">2</span>	ANTRACITE	WHITE	BLACK
		B157	B158	B159



PN-200000510



5x



PN-200000541

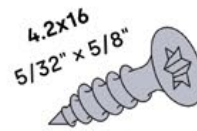
2x



PN-200000669



5x



PN-200000840



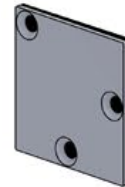
12x



PN-200000655



5x



PN-200000518



4x



PN-200000565

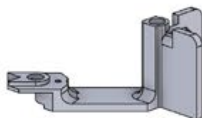


2x



PN-200000524

1x



PN-200000515



2x



PN-200000516



2x

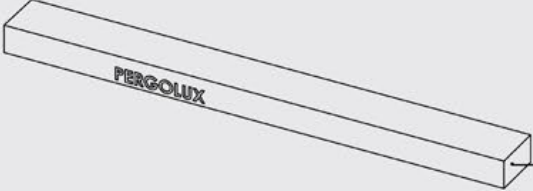
# ITEMS IN BOX

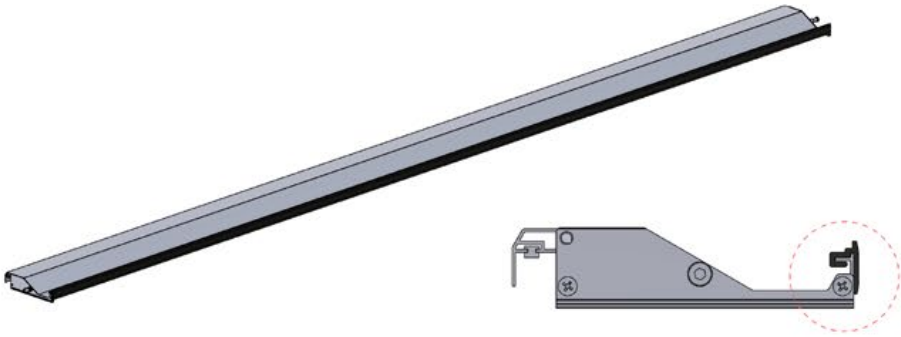
	ANTRACITE	WHITE	BLACK
	<span style="font-size: 2em; border: 1px solid black; border-radius: 50%; padding: 5px;">3</span>	B152	B154

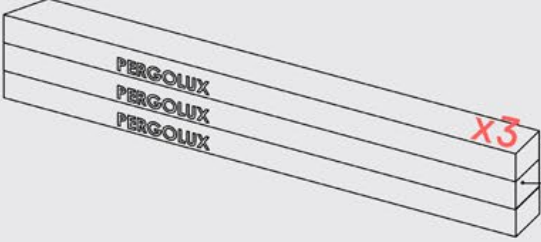
		<p>W BEAM PN-200000537 <b>1x</b></p>
		<p>W BEAM PN-200000543 <b>1x</b></p>
		<p>PN-200000547 <b>2x</b> Pre-assembled part</p>
		<p>PN-200000520 <b>2x</b></p>

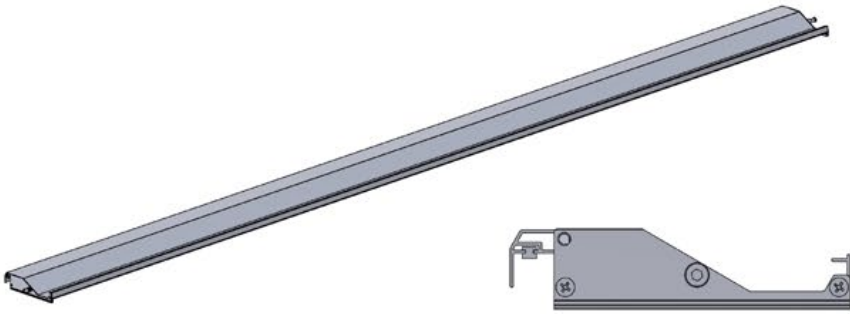
# ITEMS IN BOX

		ANTRACITE	WHITE	BLACK
	<b>4</b>	L149	L151	L153



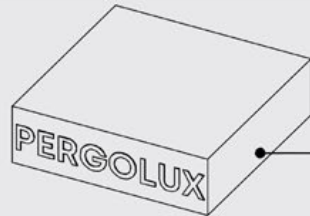
PN-200000965  
**1x**

		ANTRACITE	WHITE	BLACK
	<b>5</b>	L148	L150	L152



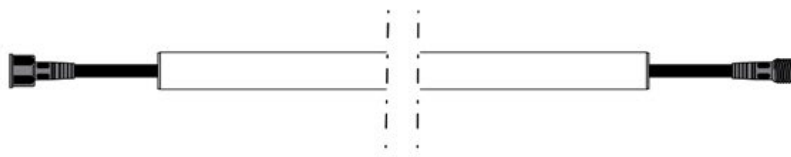
PN-200000551  
**24x**

# ITEMS IN BOX



6

WHITE / RGB LED



LED light strip

4x



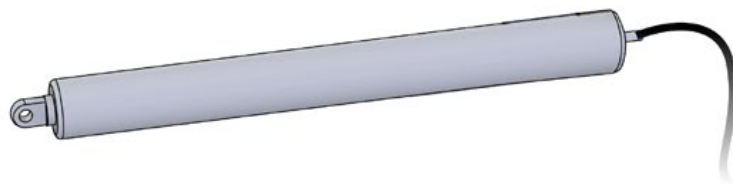
Y cable

1x



7

ELECTRIC MOTOR



Electric motor  
PN-200001562

1x



PN-200001623

1x



PN-200001624

1x



PN-200001625

2x



# ITEMS IN BOX

**S3**



Control box

**1x**



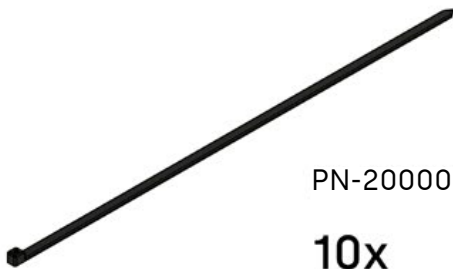
PN-200002756

**1x**



PN-200002754

**1x**



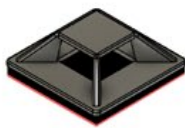
PN-200002684

**10x**



PN-200002758

**1x**



PN-200002683

**5x**



PN-200002753

**2x**



QR-code

**1x**



PN-200002759

**2x**



3M tape

**1x**

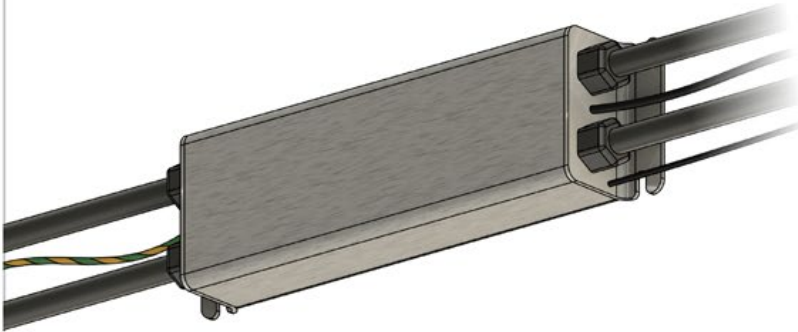


PN-200002757

**1x**

# ITEMS IN BOX

**S2**



Control box

**1x**



Remote Control

**1x**



PN-200002753

**2x**



Wall mount

**1x**



PN-200002759

**2x**

## ITEMS IN BOX



9

POWER CABLE



Power cable

1x

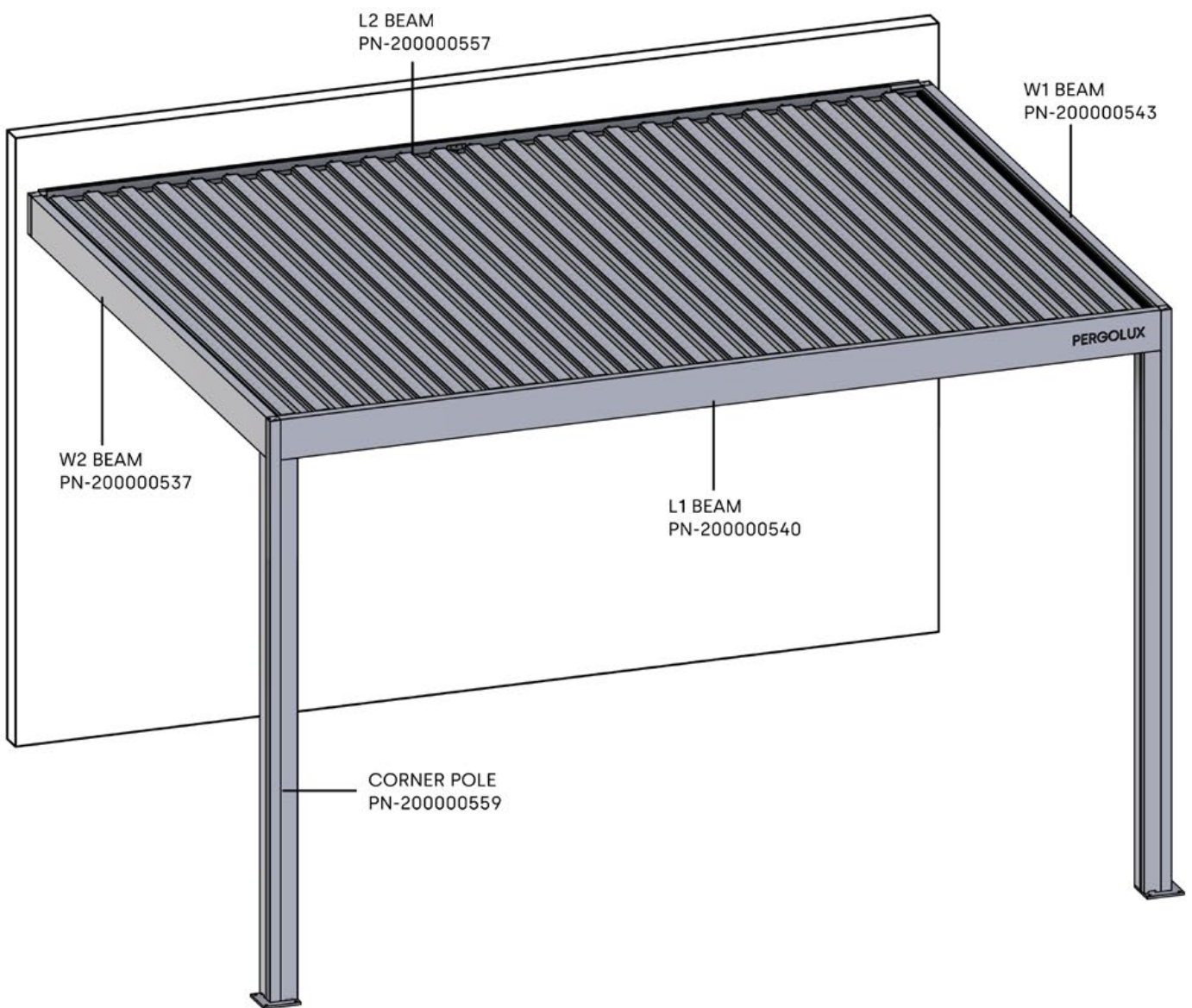


**All electric parts should be tested before installation.**

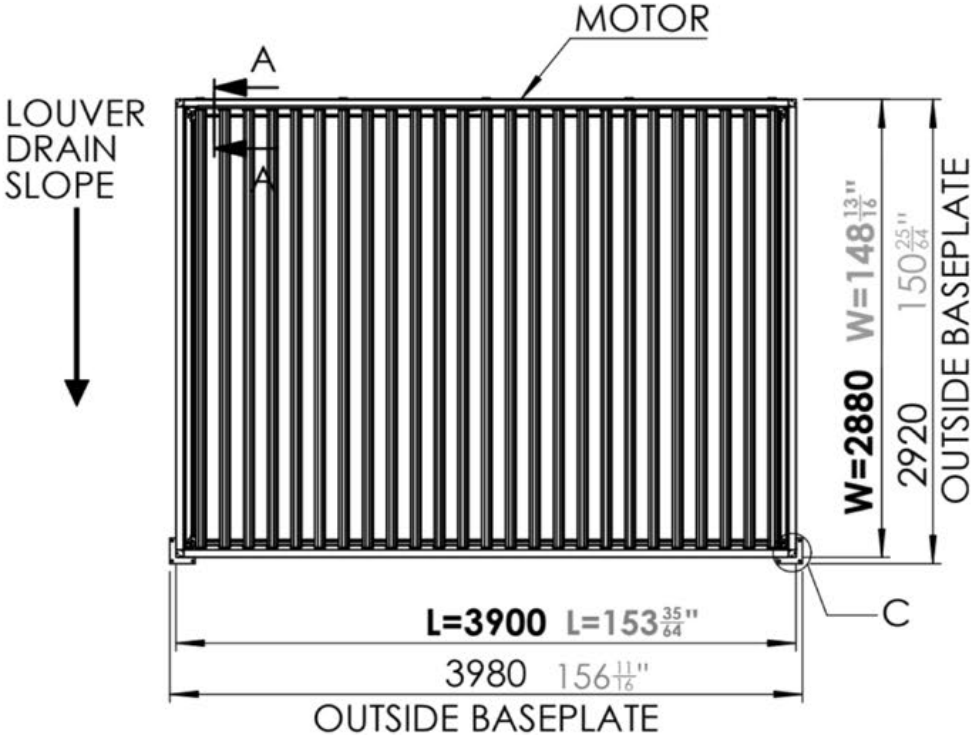
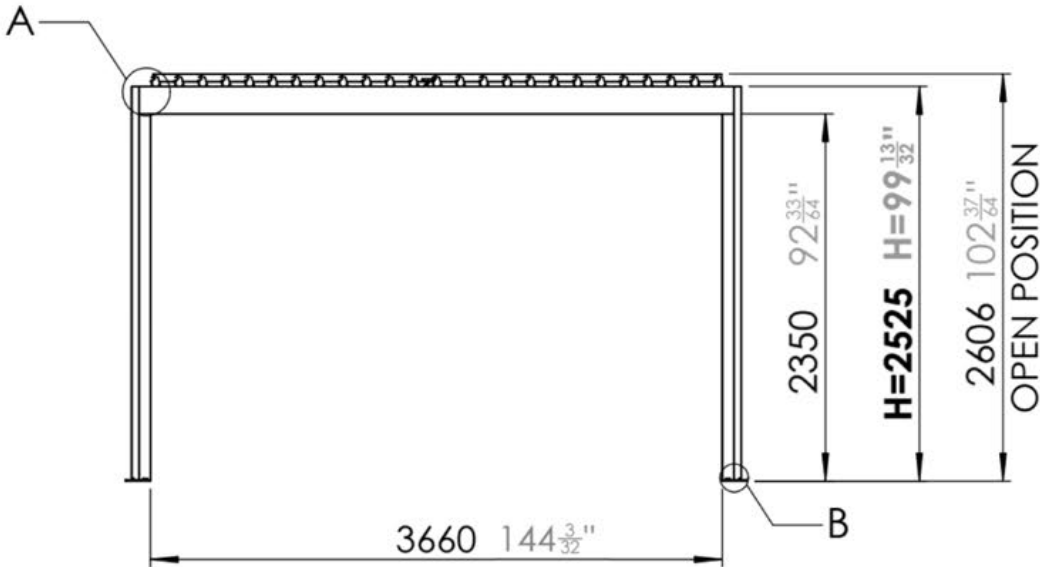
**LEDs + Motor (and heater) should be connected to the Controller and programmed to ensure functionality.**

**Matter + Smart home can be connected at anytime by simply scanning the QR code provided**

3 x 4 M / 10' x 13'



3 x 4 M / 10' x 13'



# Are you going to install LED-Lights, screen, heater or glass walls?

It is recommended to remove these Led strip covers and clips now before installing the pergola.

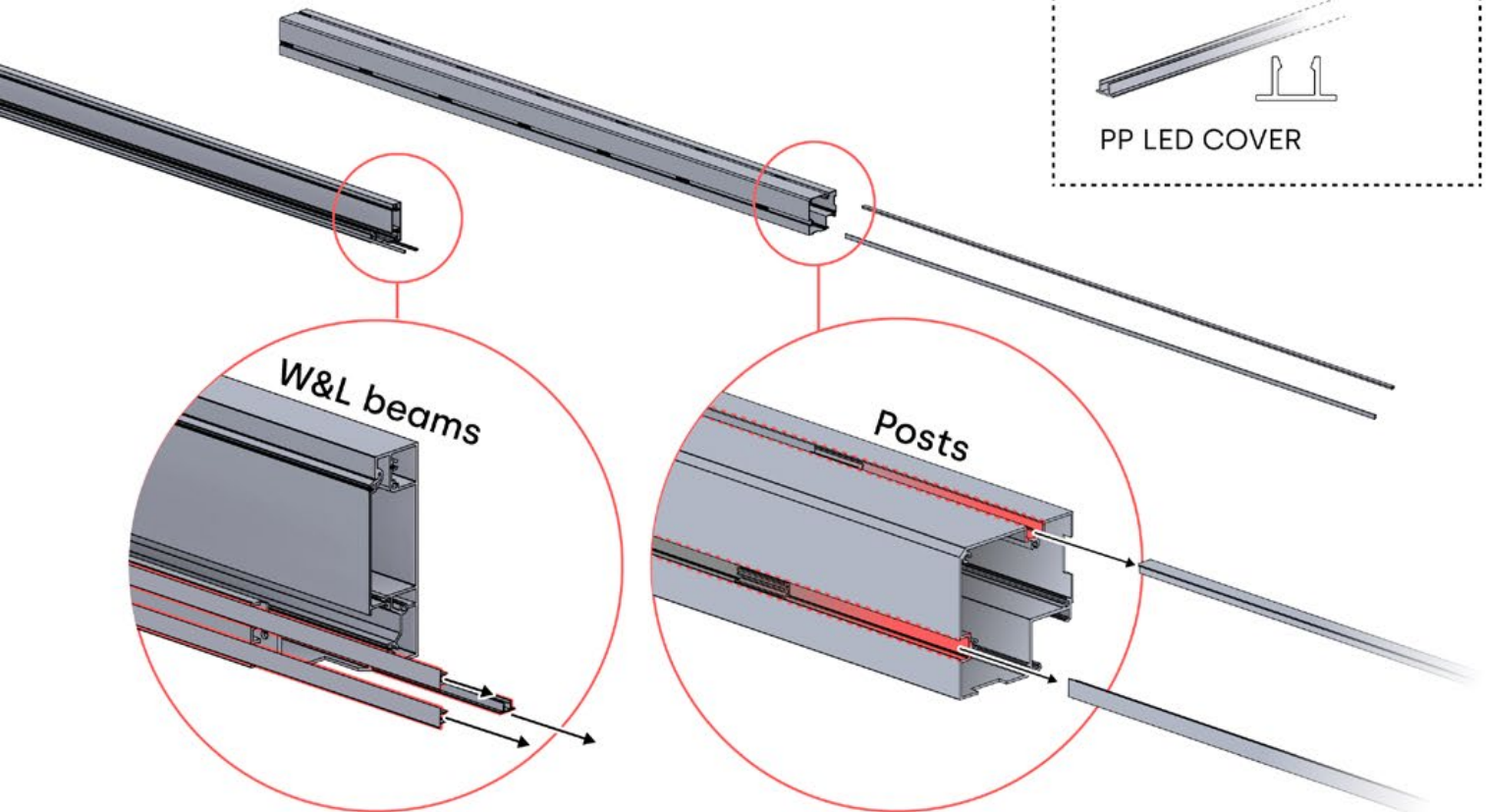
## Cover and clips



PN-200000512  
PP LED STRIP COVER CLIP



PP LED COVER



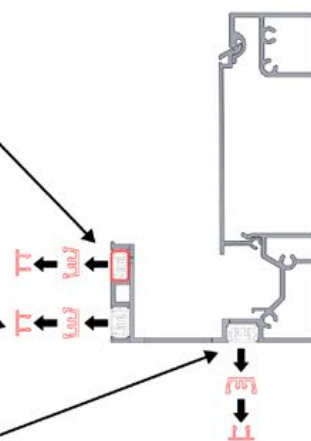
### W&L beams

If you are using **LED-lights**, then remove strips and clips from **top gutter**.



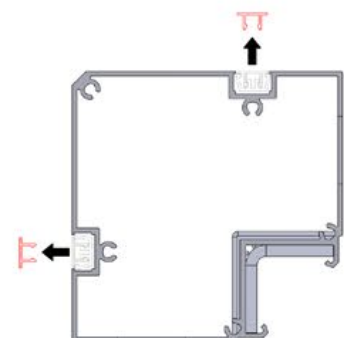
If you are using **Heater**, then remove strips and clips from **bottom gutter**.

If you are using **glass walls or screens**, then remove strips and clips from the underside of the **beams**.



### Posts

If you are using **glass walls**, then remove strip cover from **posts**.

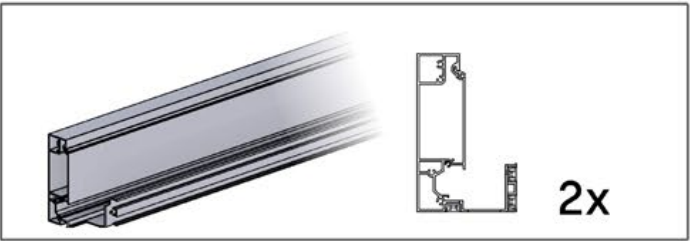


# 1

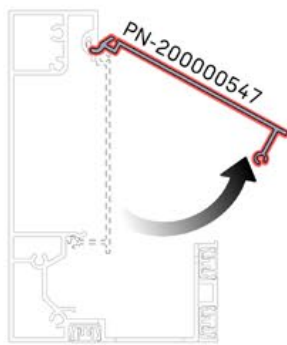
**3**

PERGOLUX

ANTHRACITE: B152  
WHITE: B154  
BLACK: B156

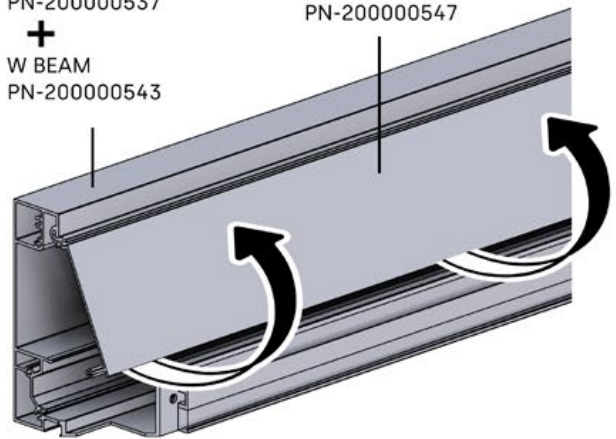


**1**

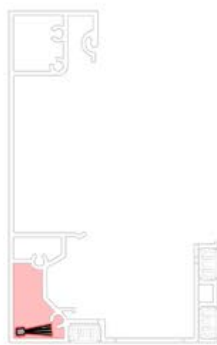


W BEAM  
PN-200000537  
+  
W BEAM  
PN-200000543

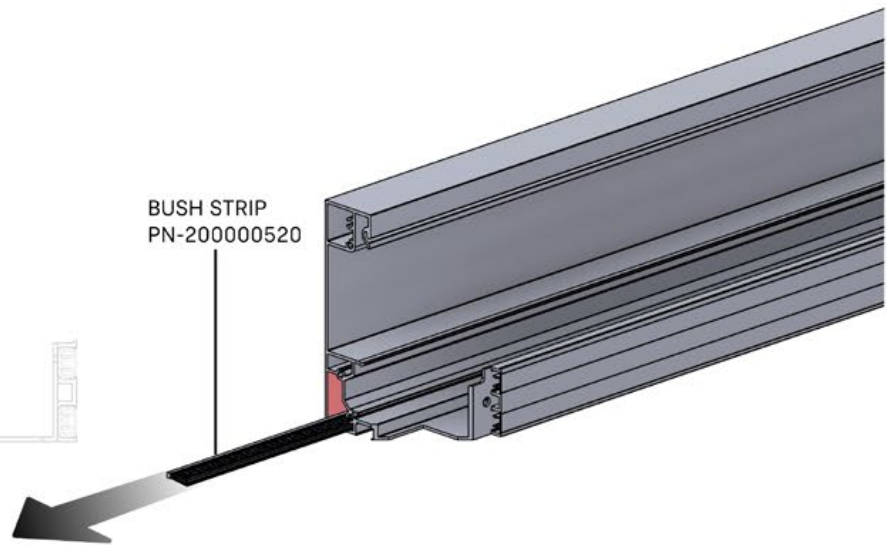
BEAM COVER  
PN-200000547



**2**



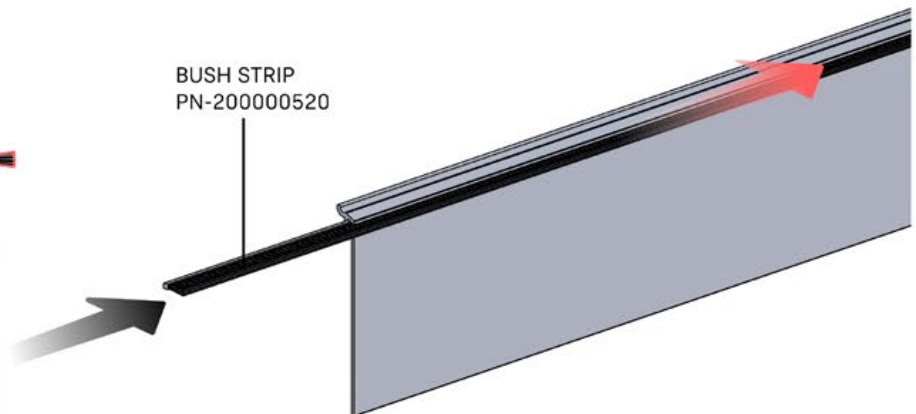
BUSH STRIP  
PN-200000520



**3**



BUSH STRIP  
PN-200000520



# 2

**X2**  
PERGOLUX  
PERGOLUX

**1**

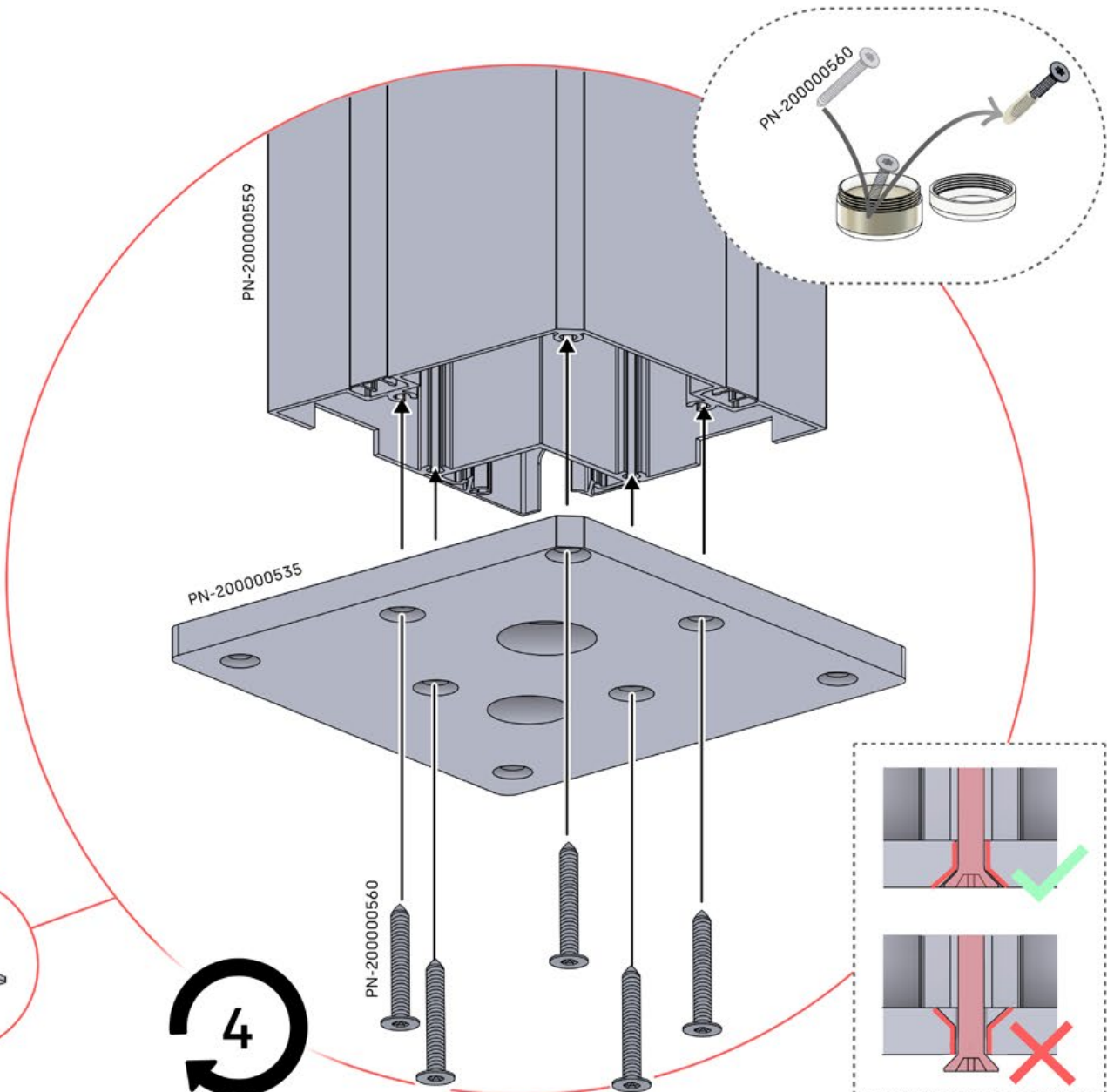
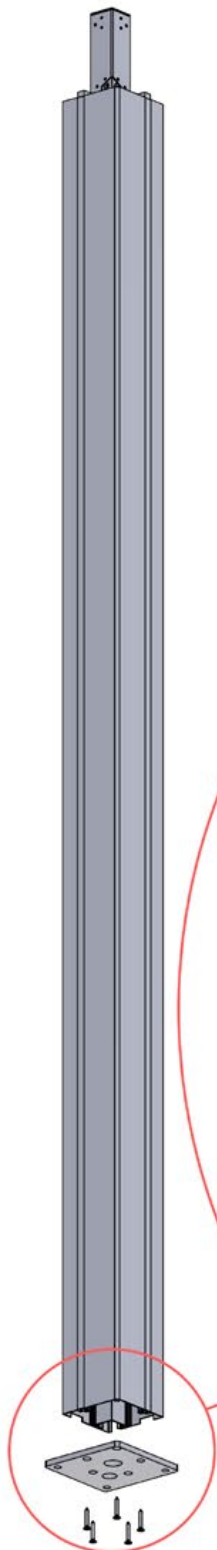
ANTHRACITE: C100  
WHITE: C101  
BLACK: C102

PN-200000559  
**2x**

PN-200000535  
**B** **2x**

PN-200000560  
**B** **10x**

5.5x60  
7/32" x 2-3/8"





# 3

**2**

PERGOLUX

ANTHRACITE: B157  
WHITE: B158  
BLACK: B159

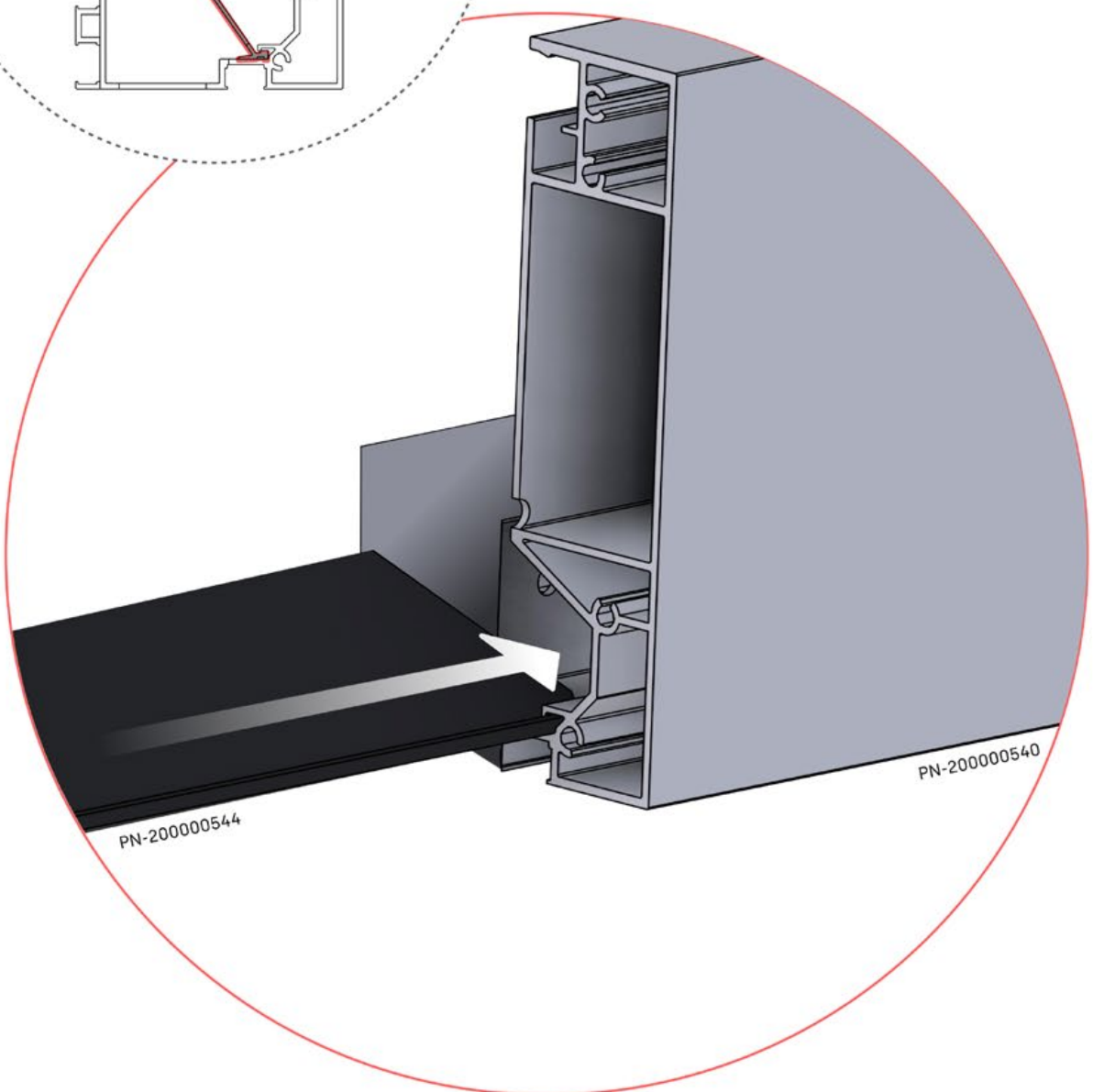
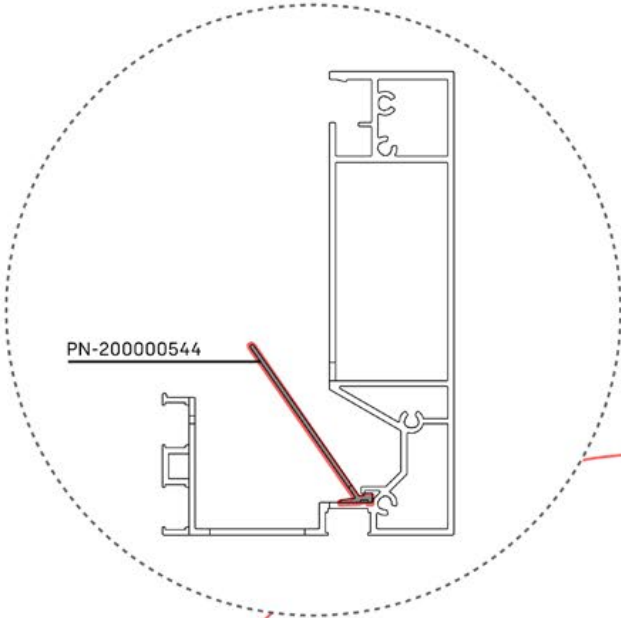
BEAM WITH  
PERGOLUX  
LOGO

PN-200000540

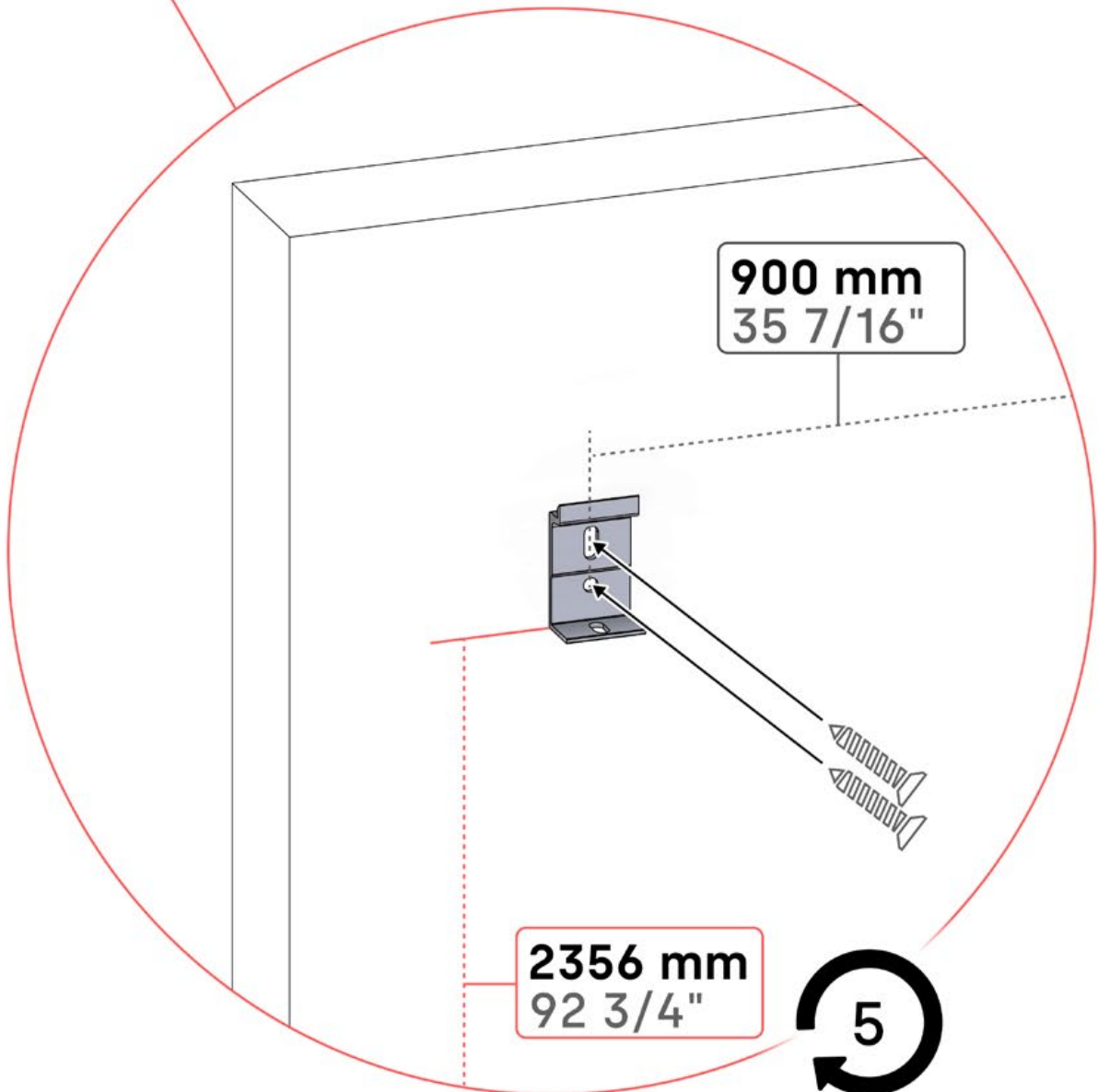
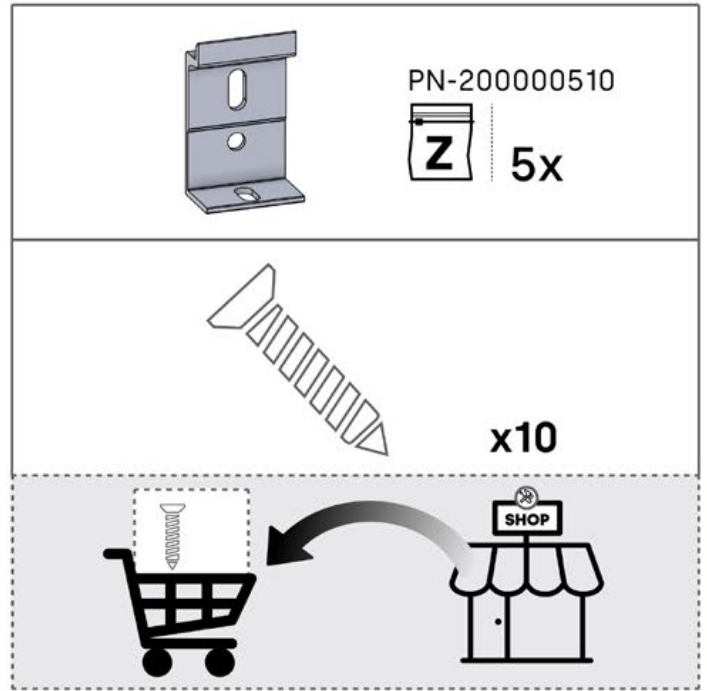
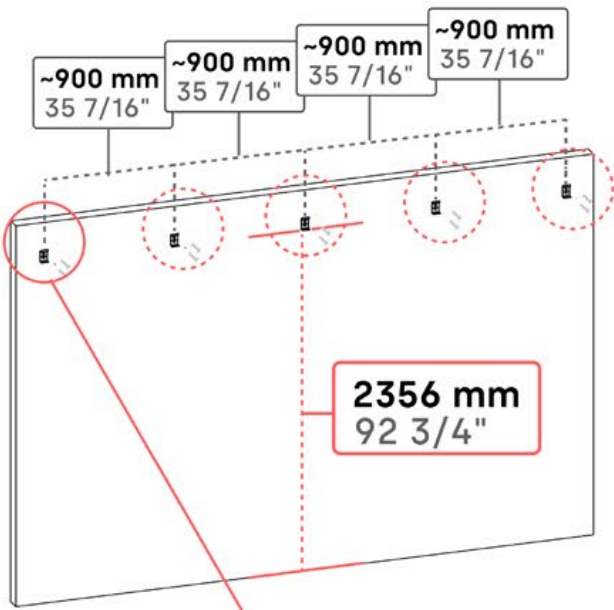
1x

PN-200000544

1x




# 4



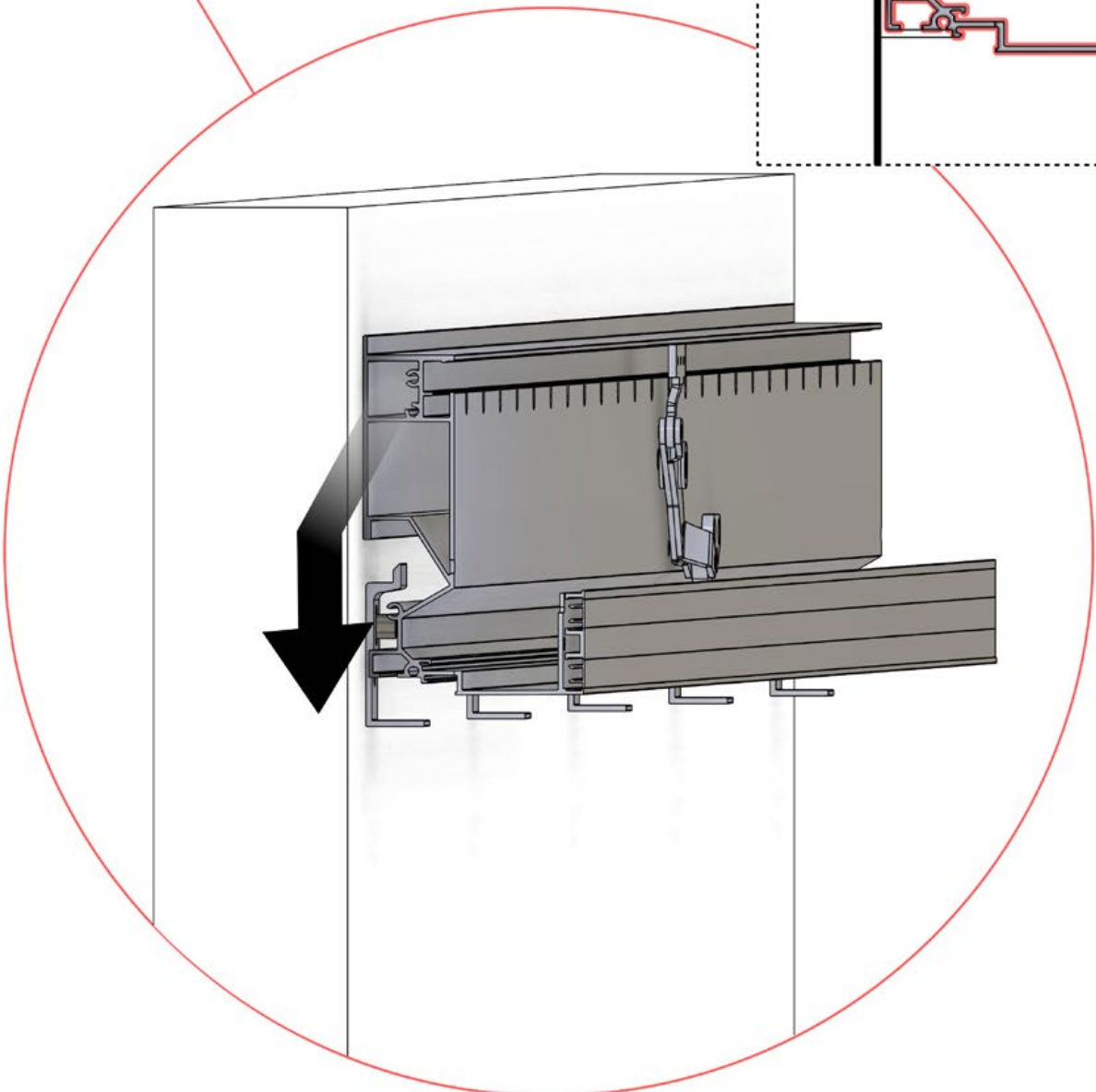
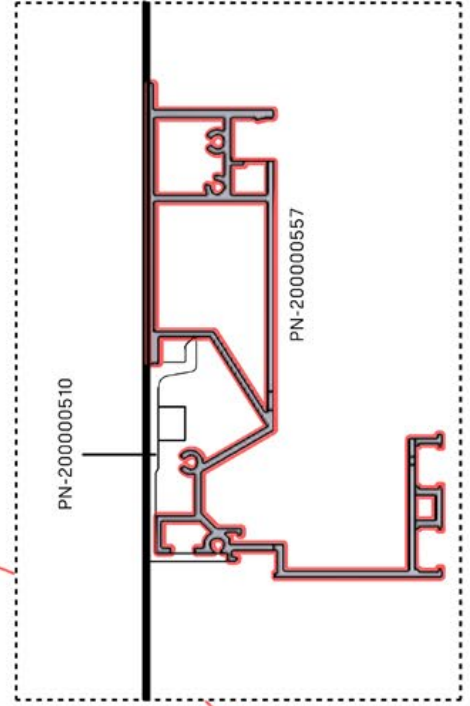
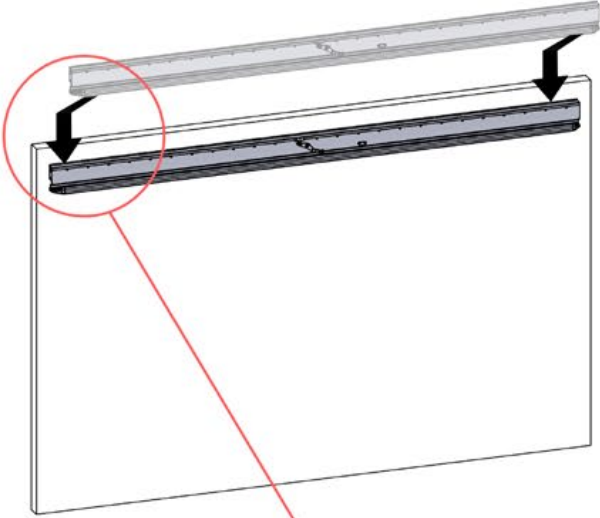
# 5

**PERGOLUX** **2**

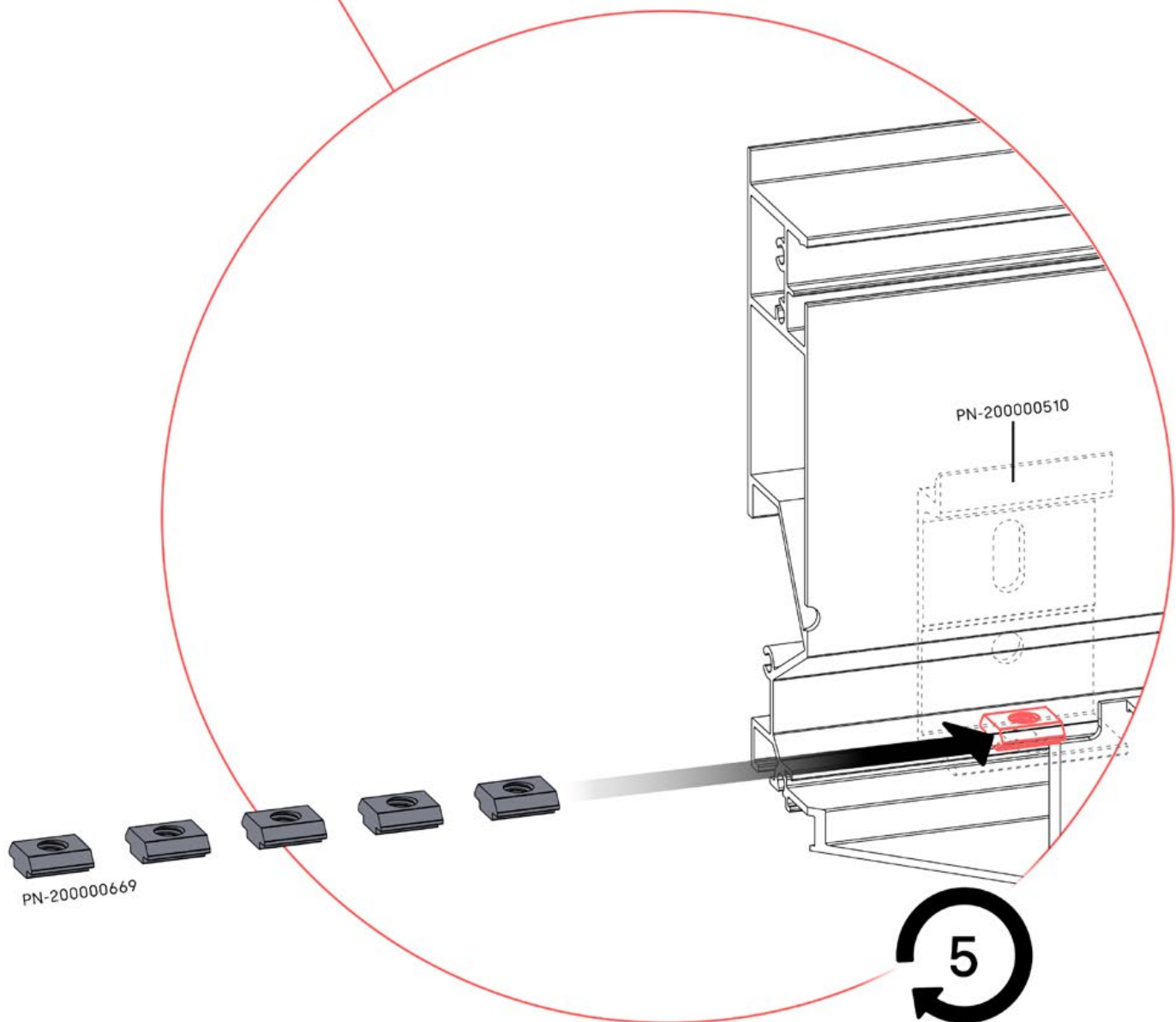
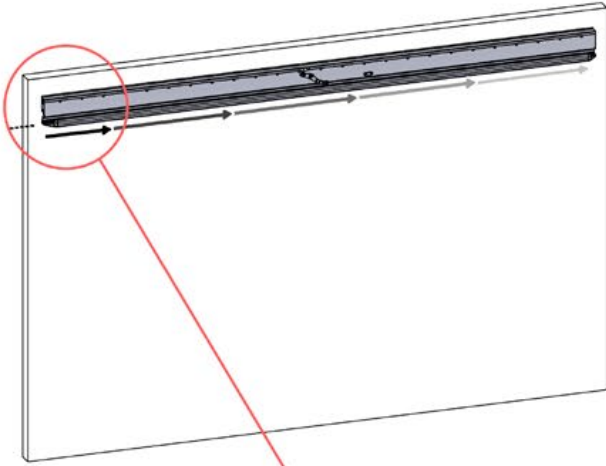
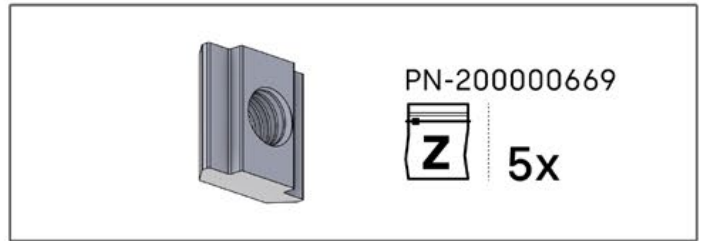
ANTHRACITE: B157  
WHITE: B158  
BLACK: B159



PN-200000557  
**1x**



# 6



# 7

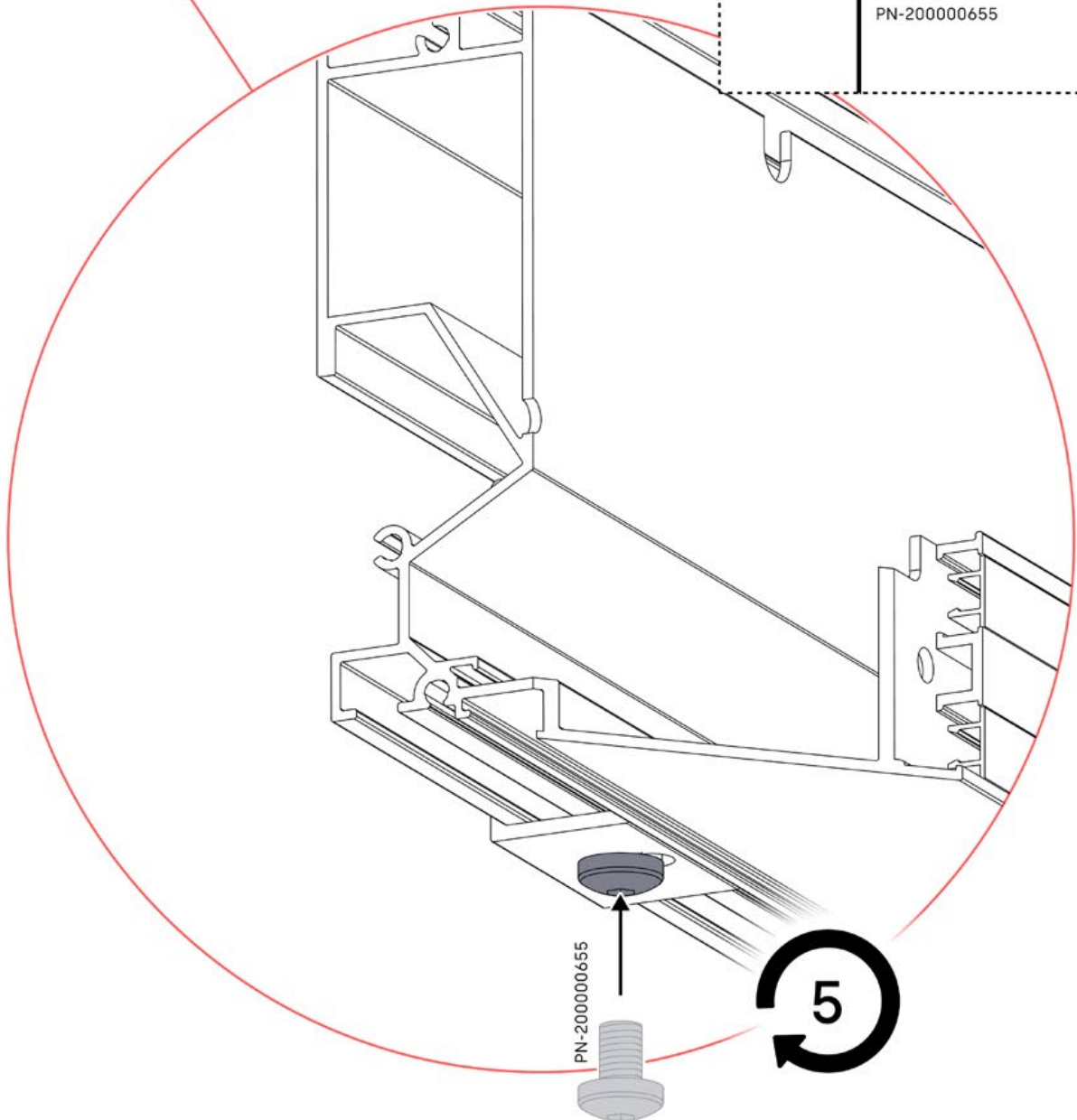
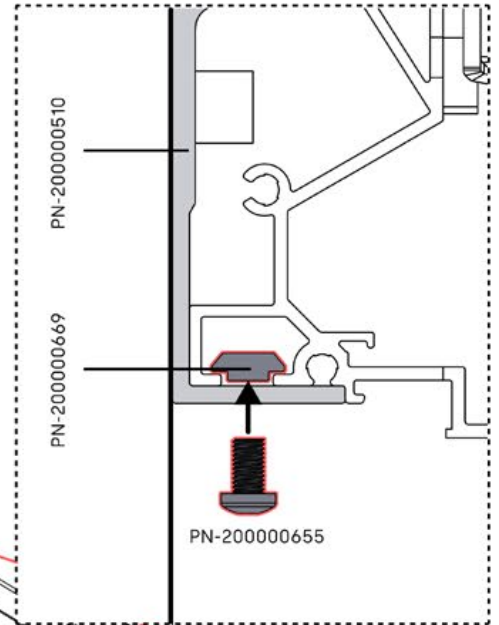
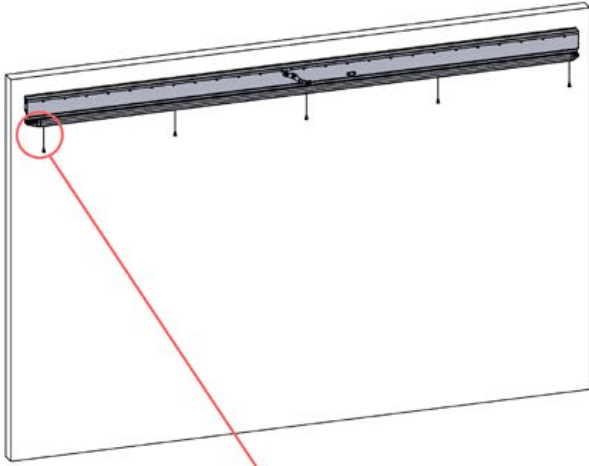
8x12  
5/16" x 1/2"



PN-200000655



5x



# 8

**3**

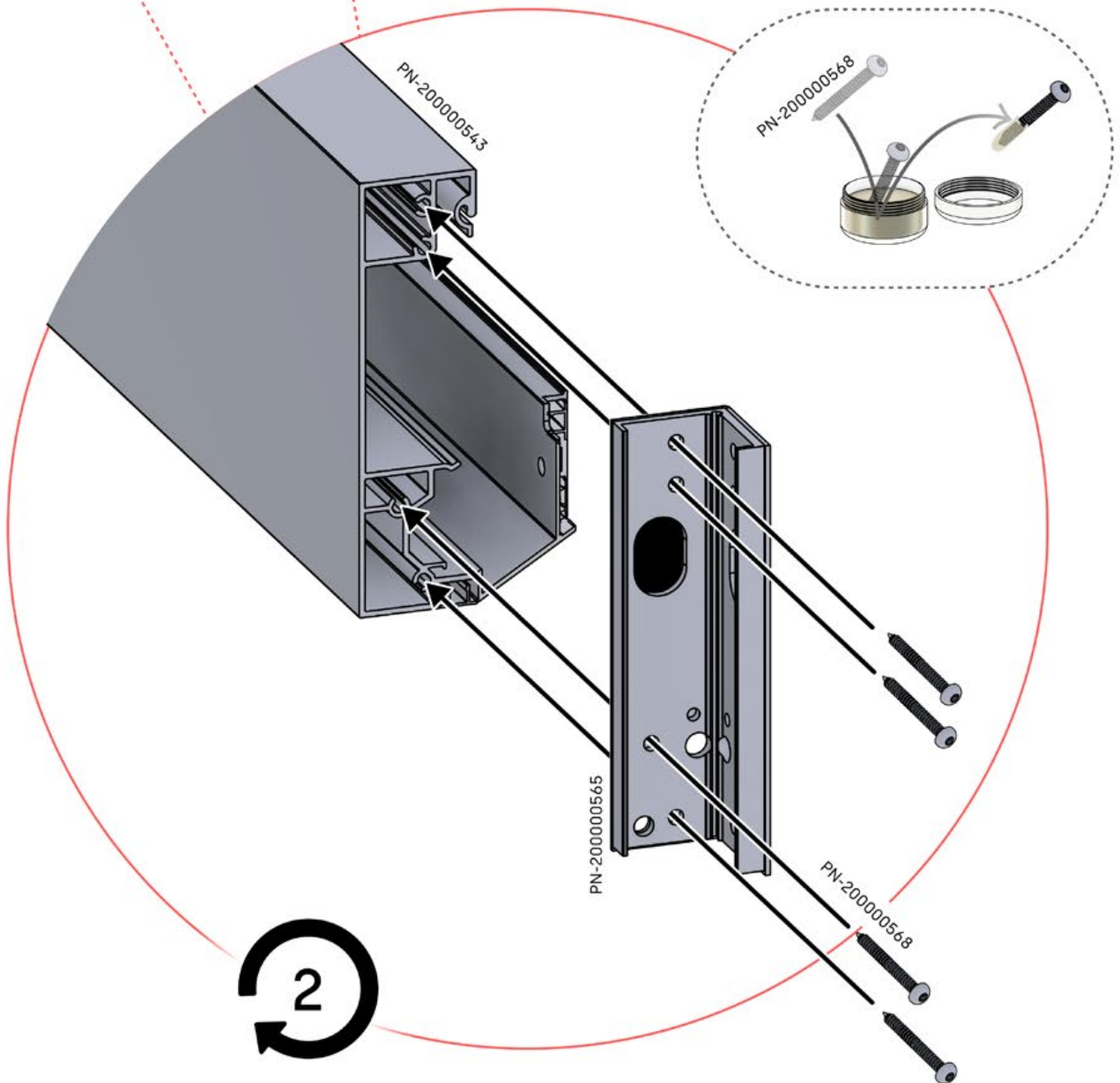
PERGOLUX

ANTHRACITE: B163  
WHITE: B164  
BLACK: B165

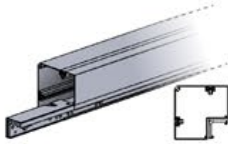

PN-200000605  
PN-200000609  
**2x**

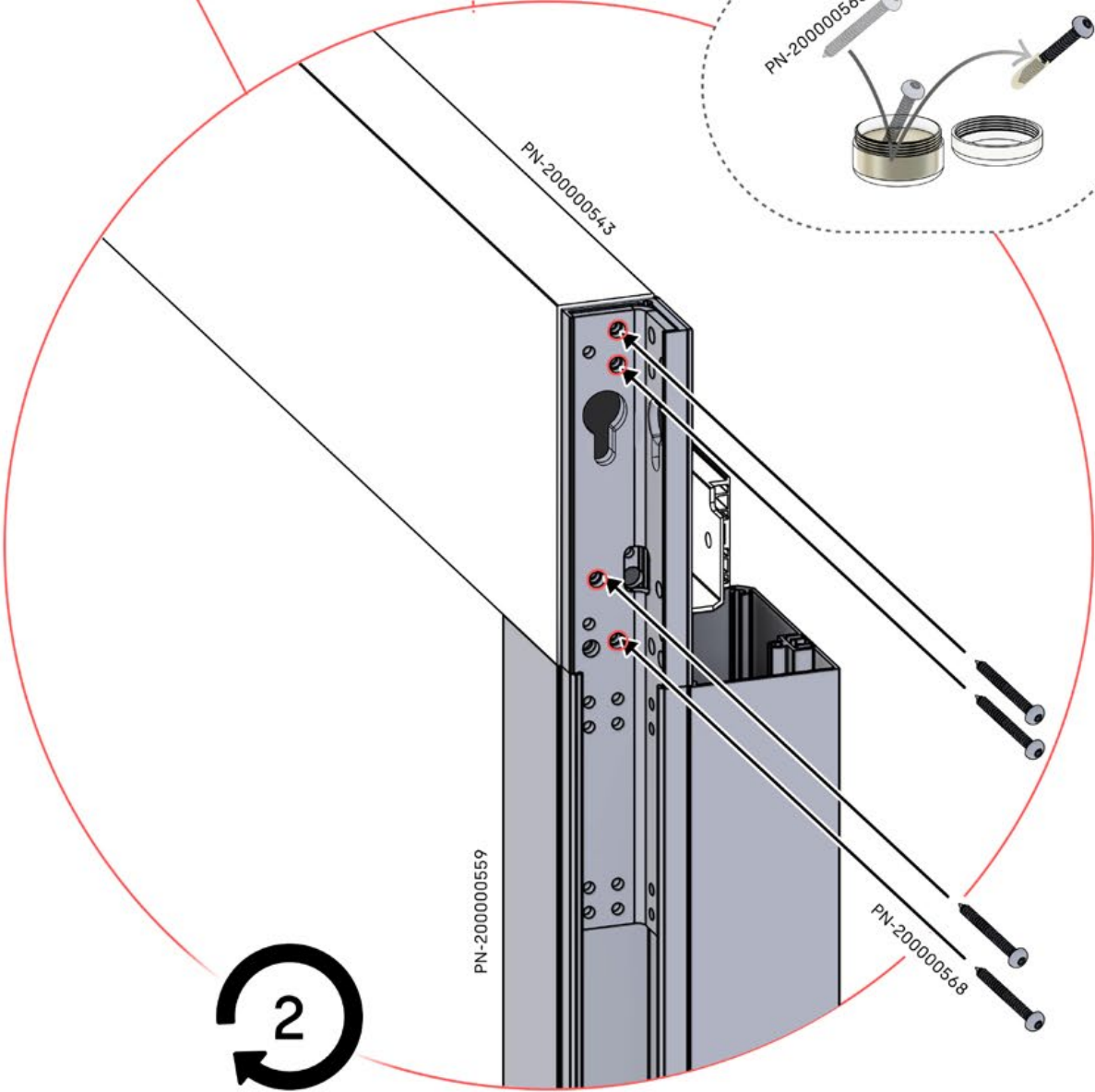
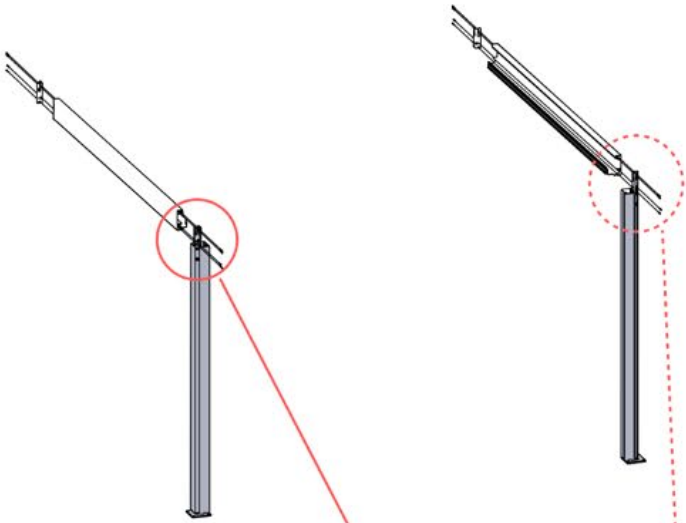
PN-200000565  
**X** **2x**

5.5x50  
7/32" x 2"  
PN-200000568  
**E** **8x**

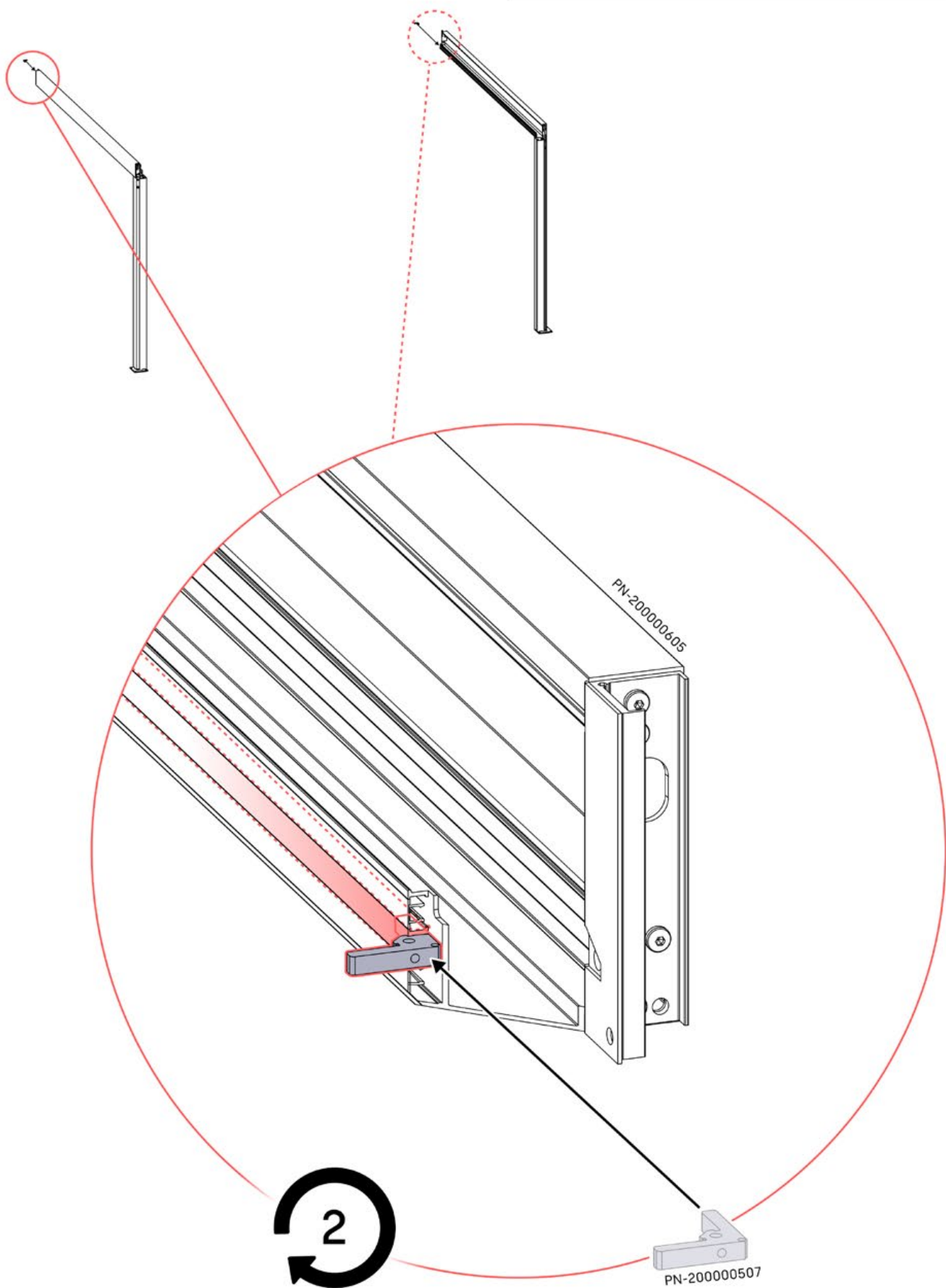
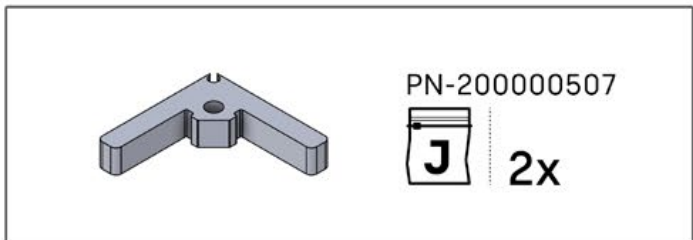


# 9

	PN-200000559
	2x
	PN-200000568
	8x



# 10



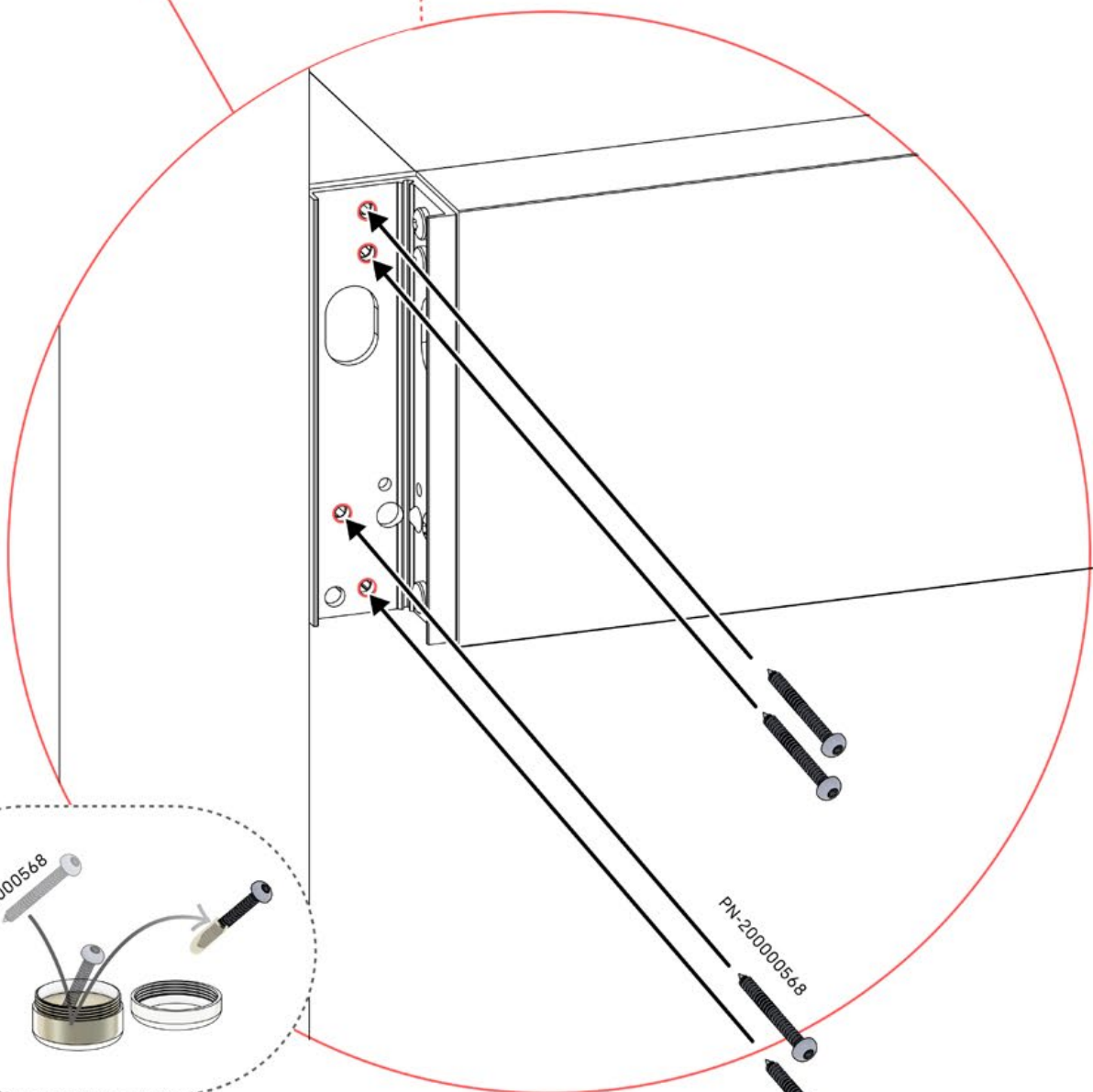
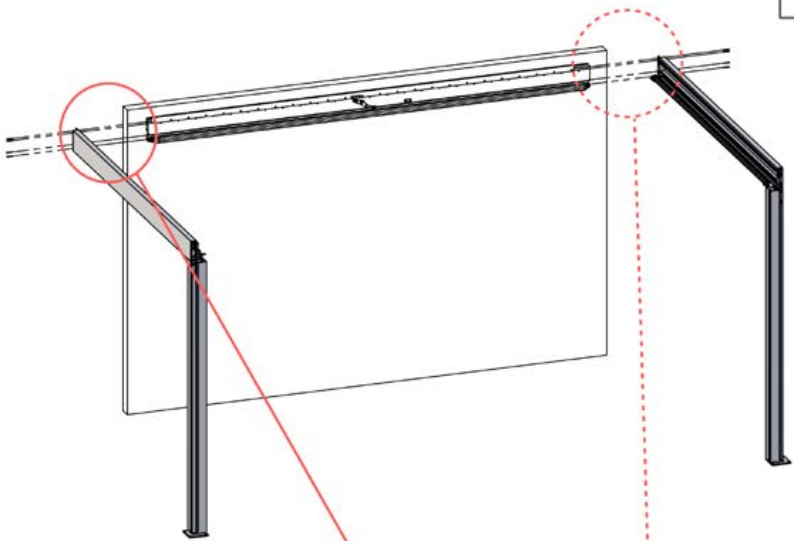



# 11

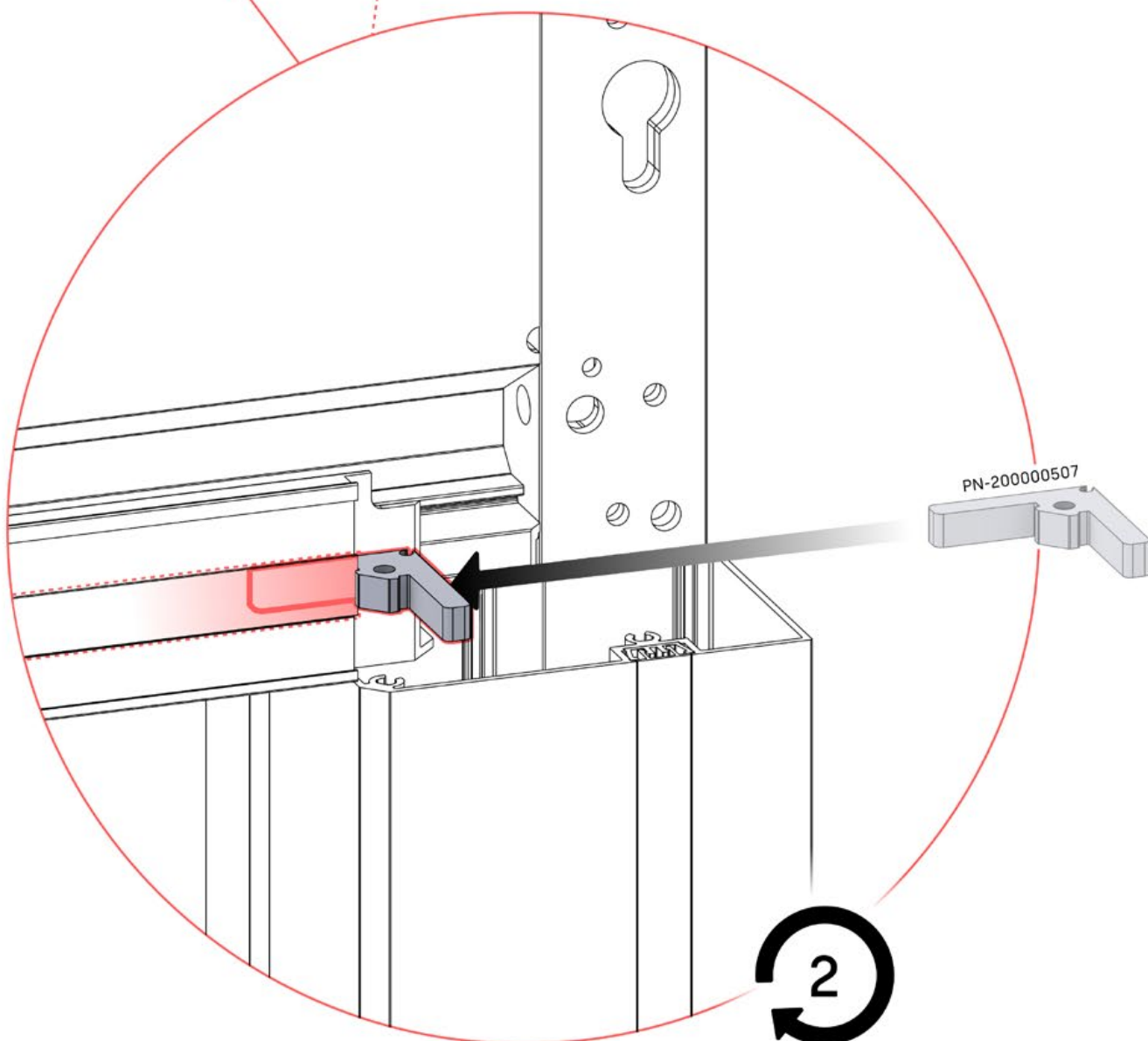
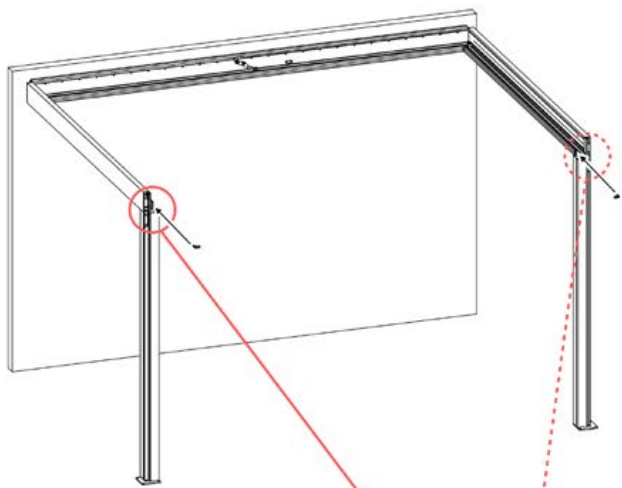
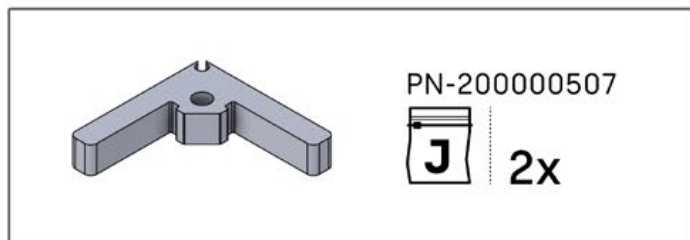
5.5x50  
7/32" x 2"

PN-20000568

**E** 8x



# 12



# 13

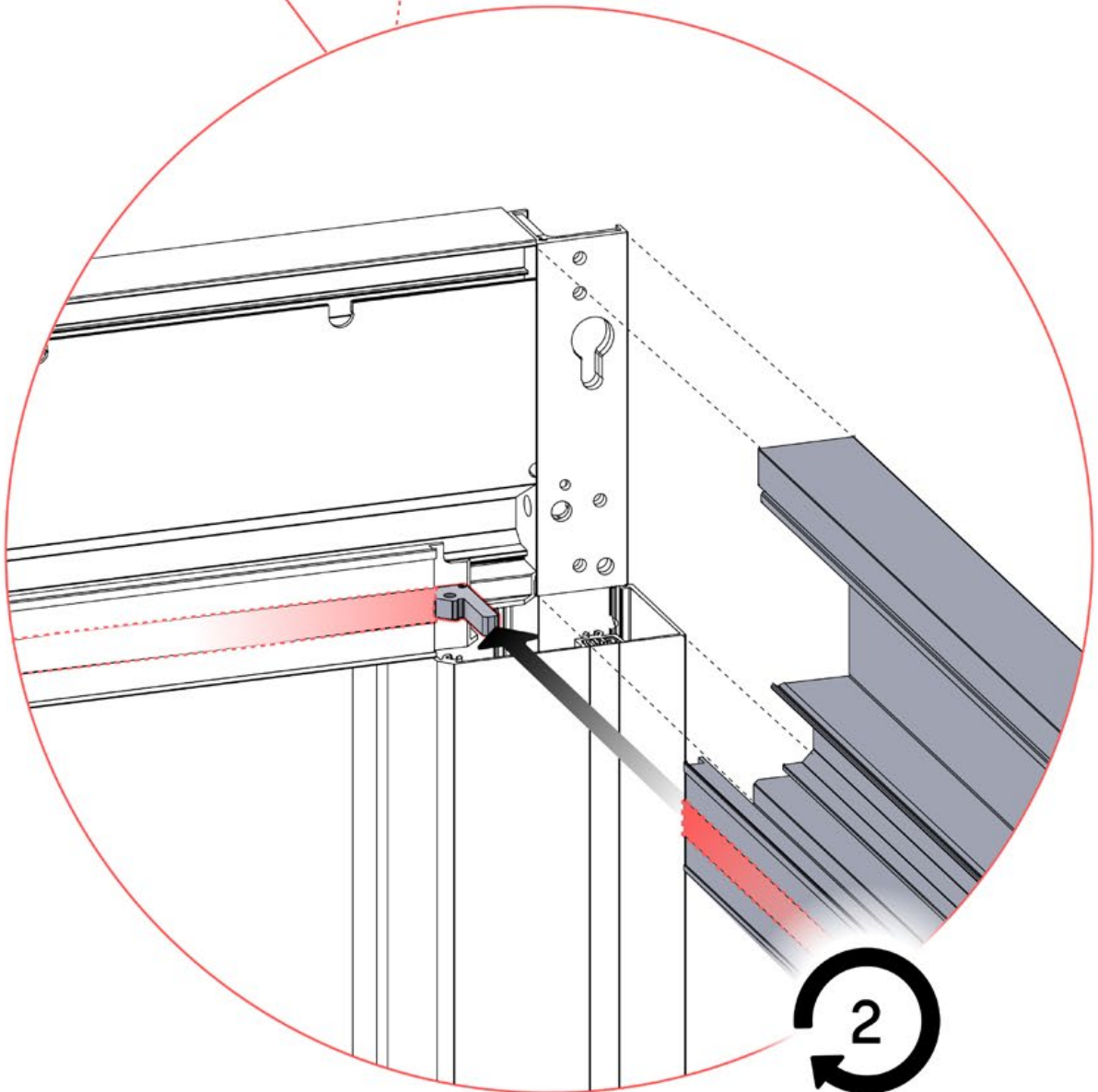
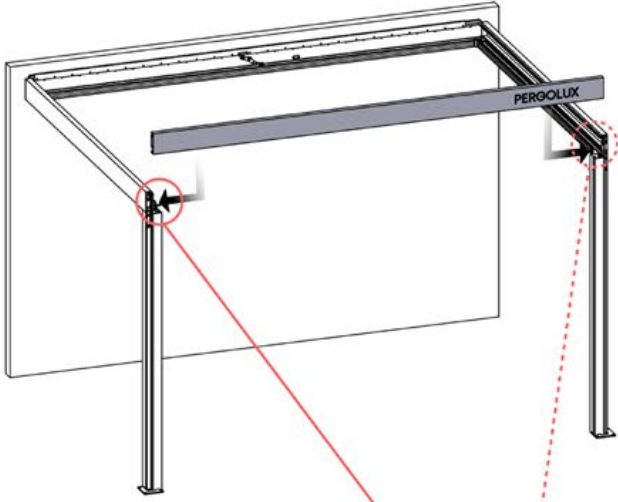

**2**

PERGOLUX

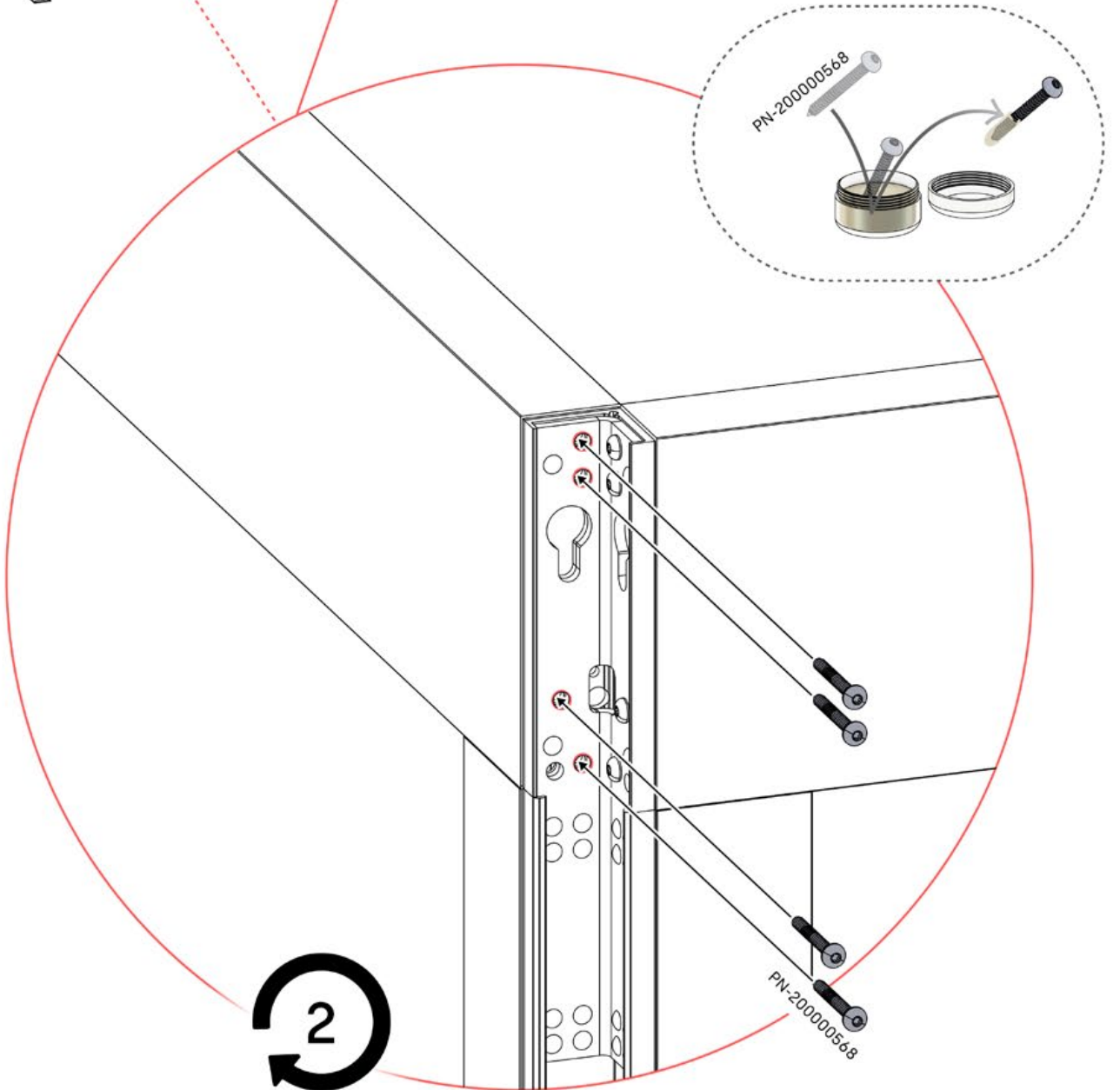
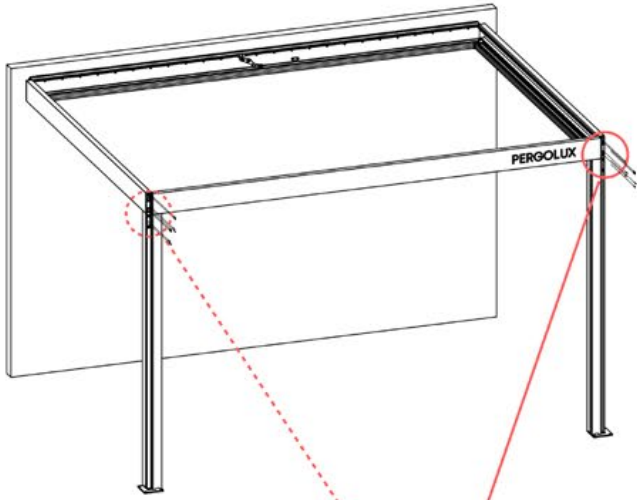
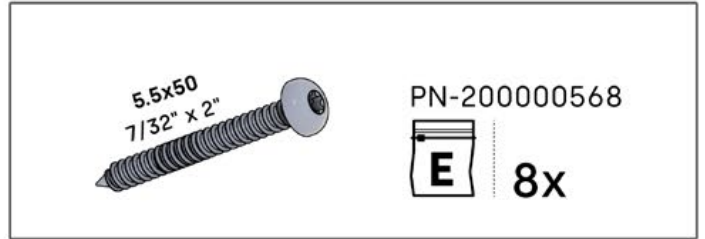
ANTHRACITE: B157  
WHITE: B158  
BLACK: B159

PN-200000540

**1x**

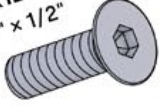


# 14




# 15

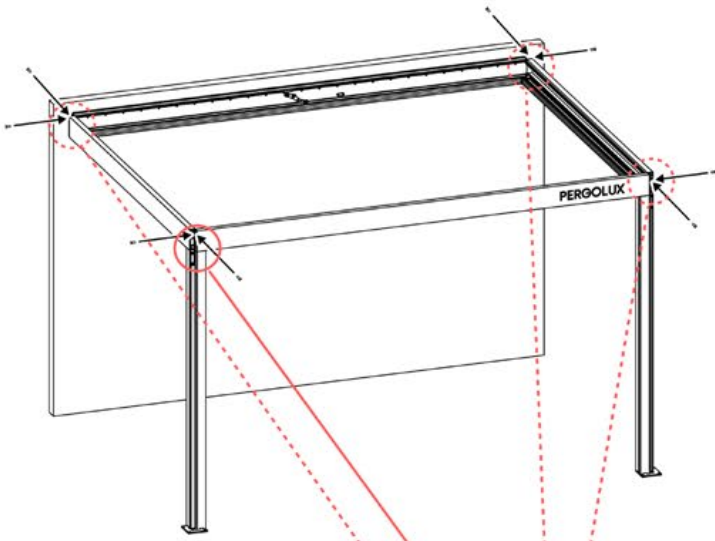
5x12  
3/16" x 1/2"



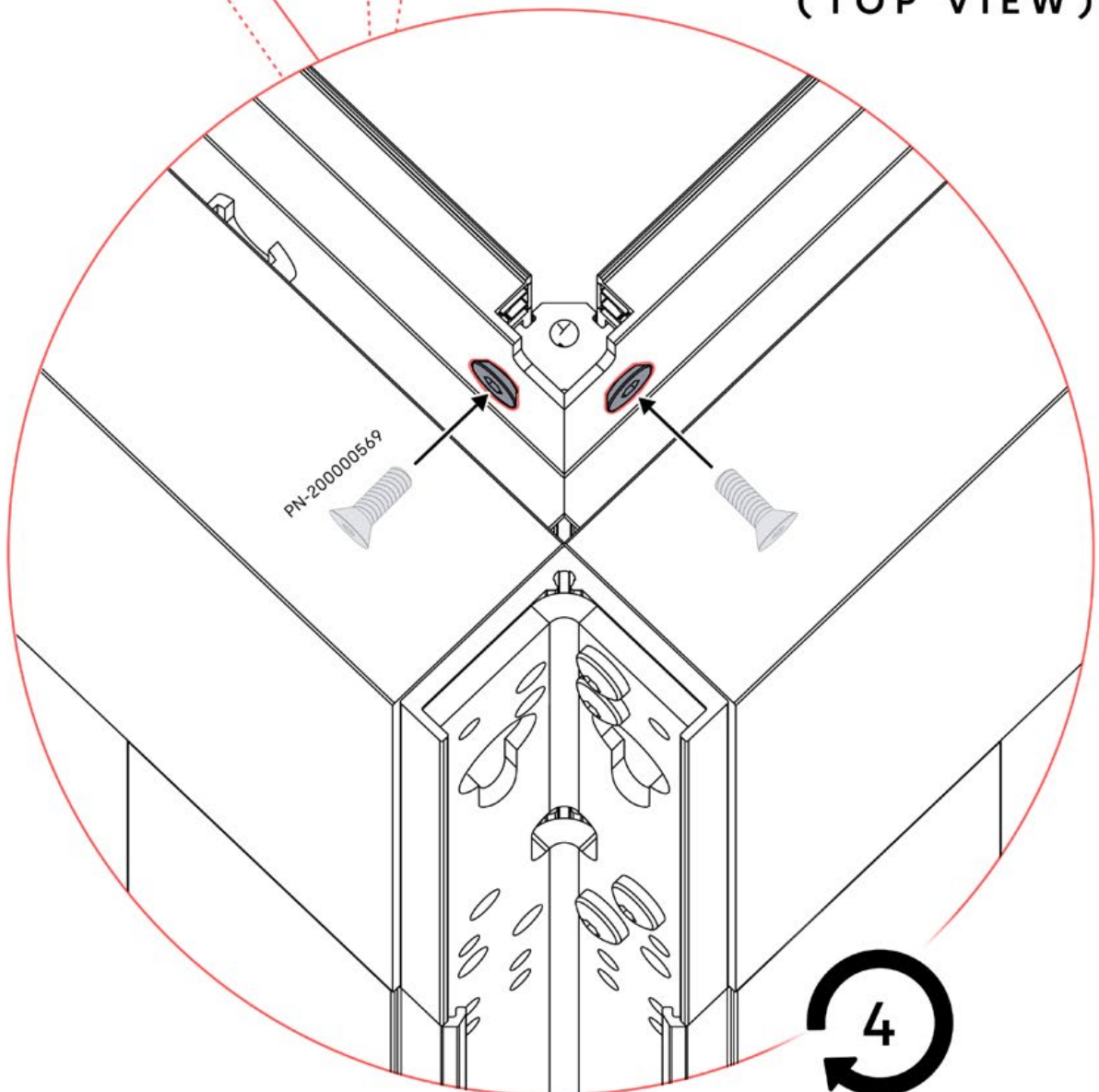
PN-200000569



**J** 8x




(TOP VIEW)



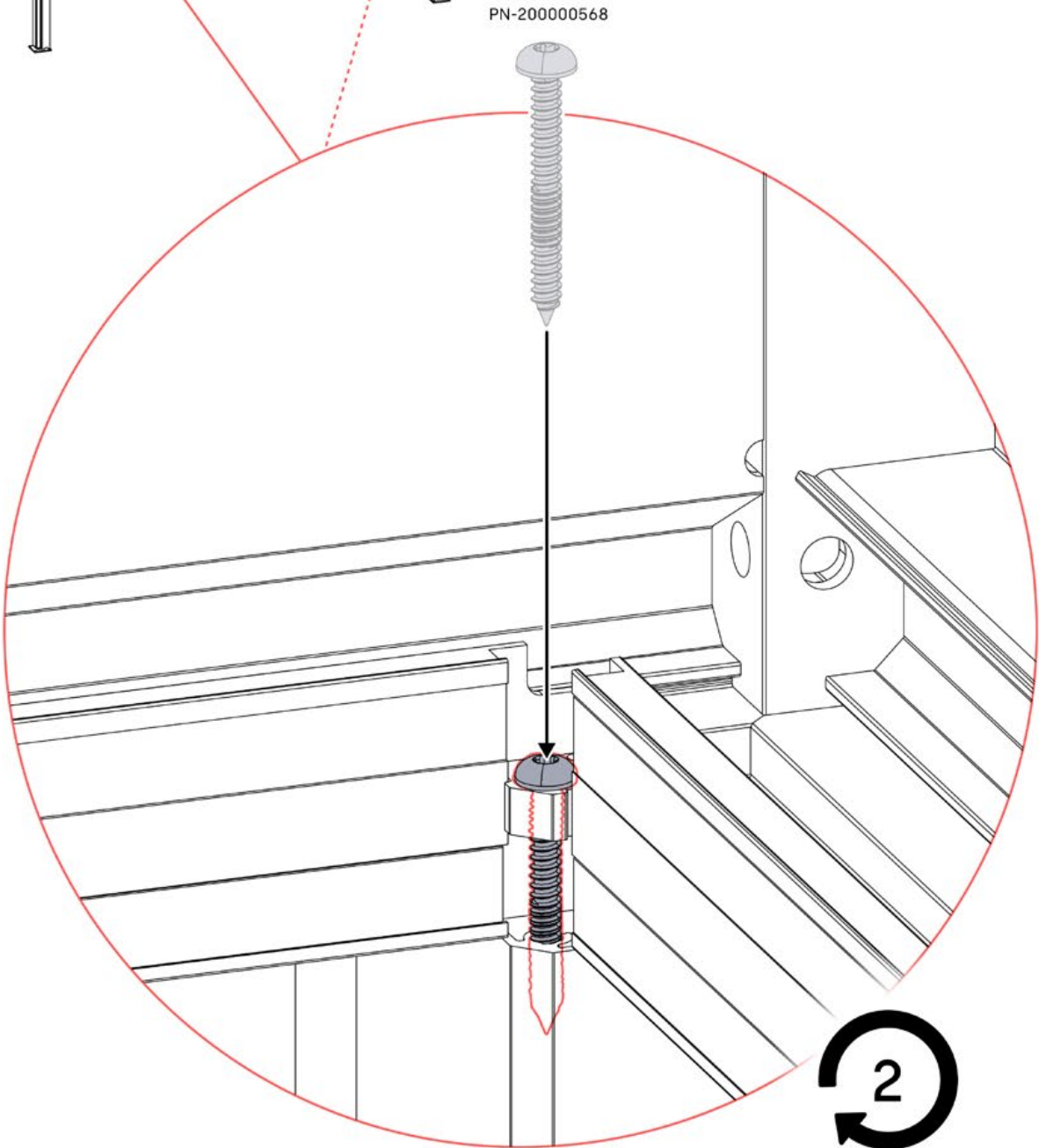
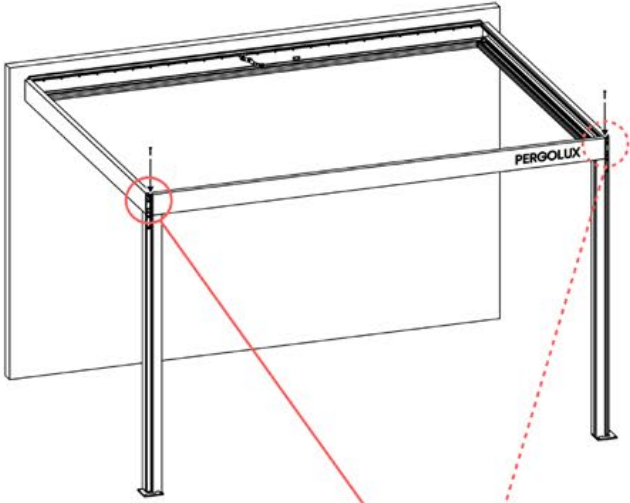
# 16

5.5x50  
7/32" x 2"

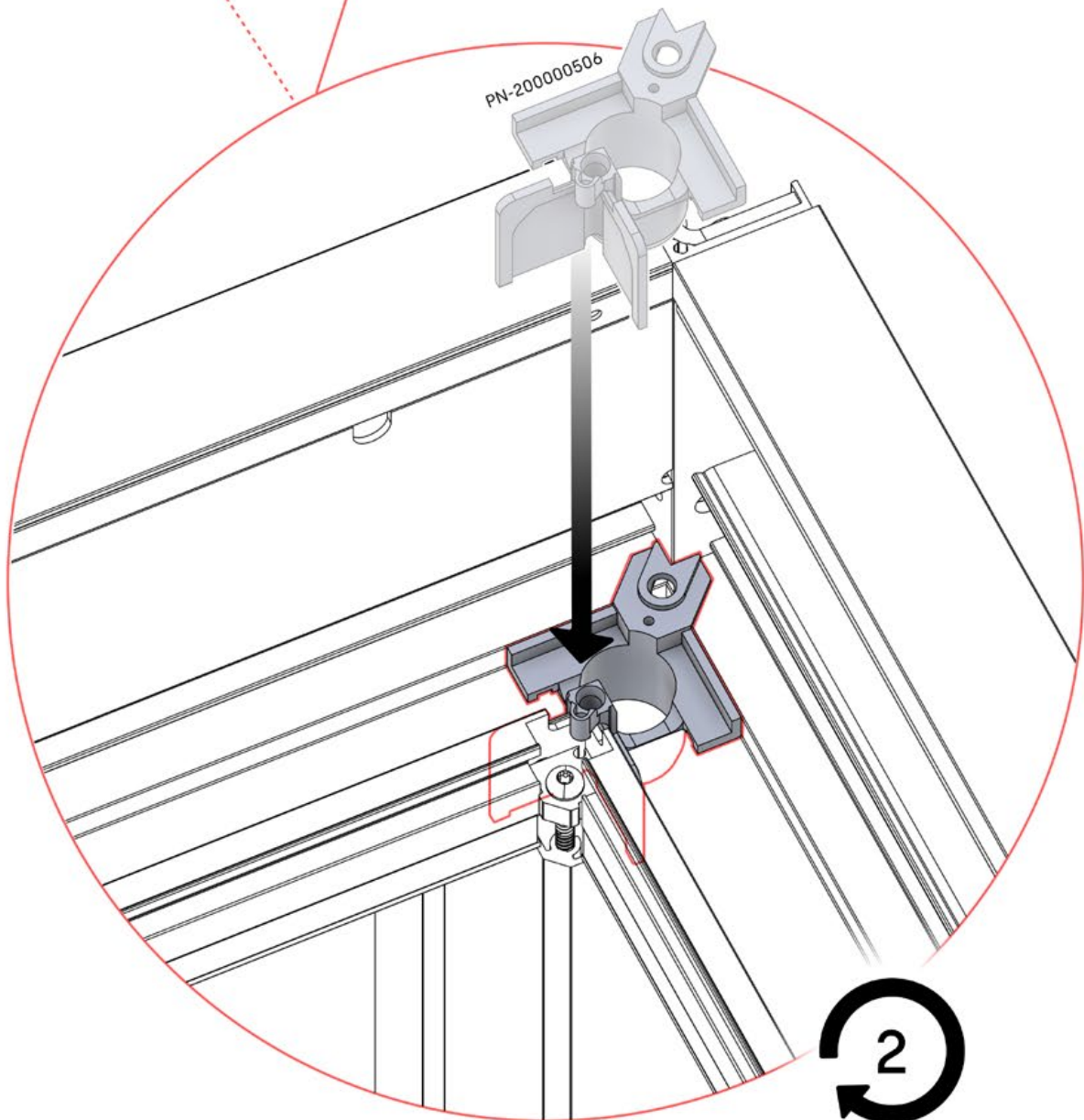
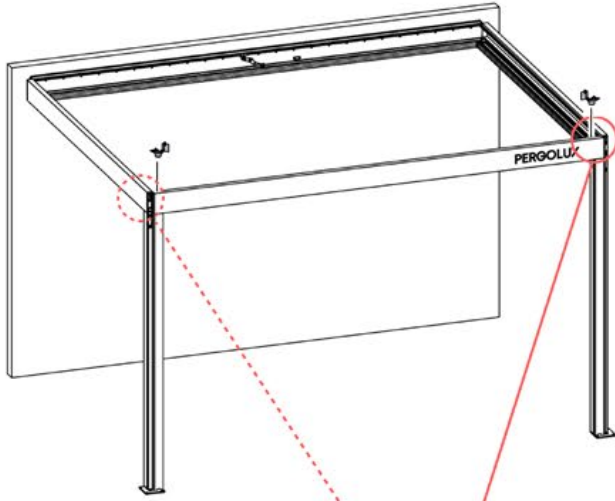
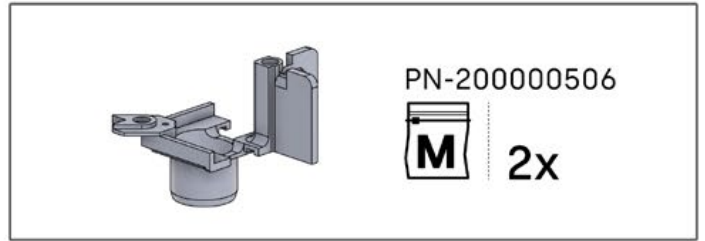


PN-200000568

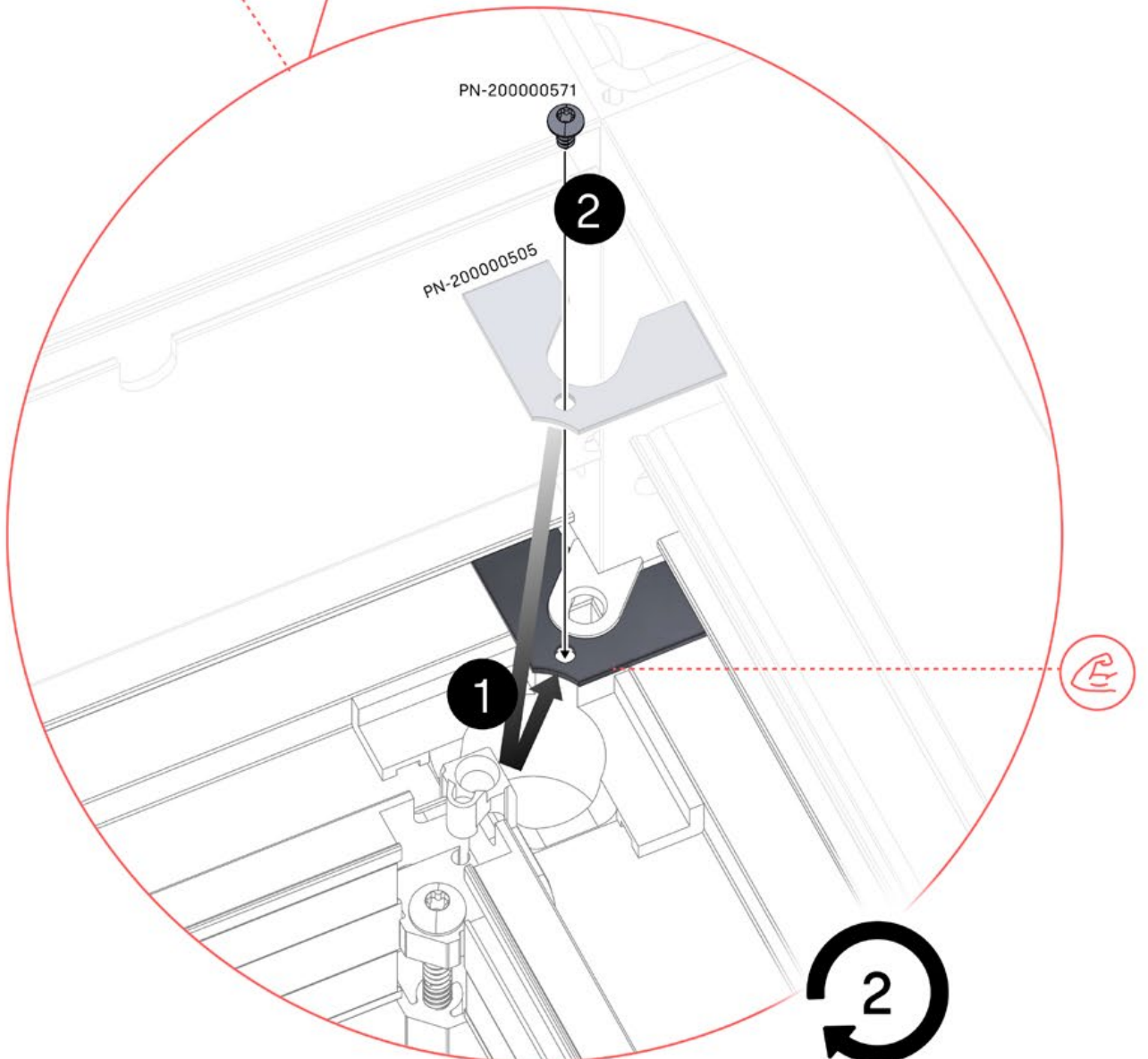
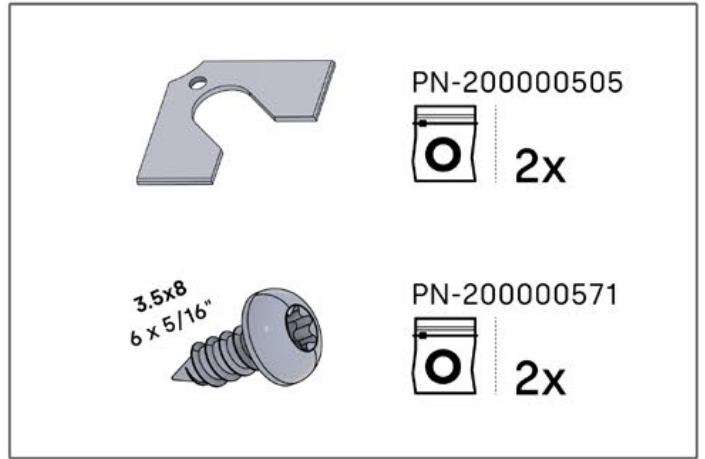
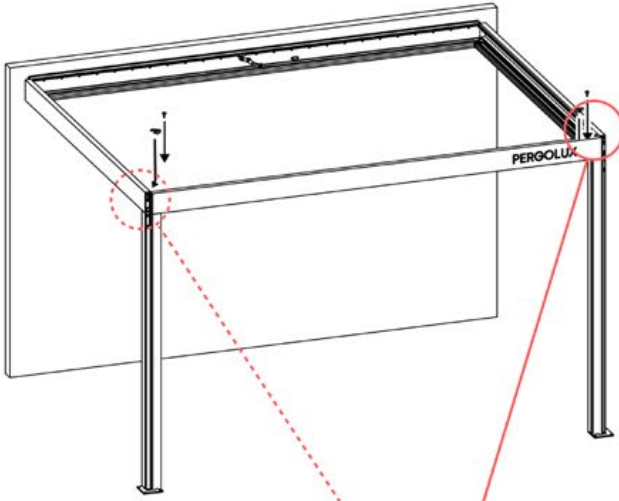
**M** 2x



# 17

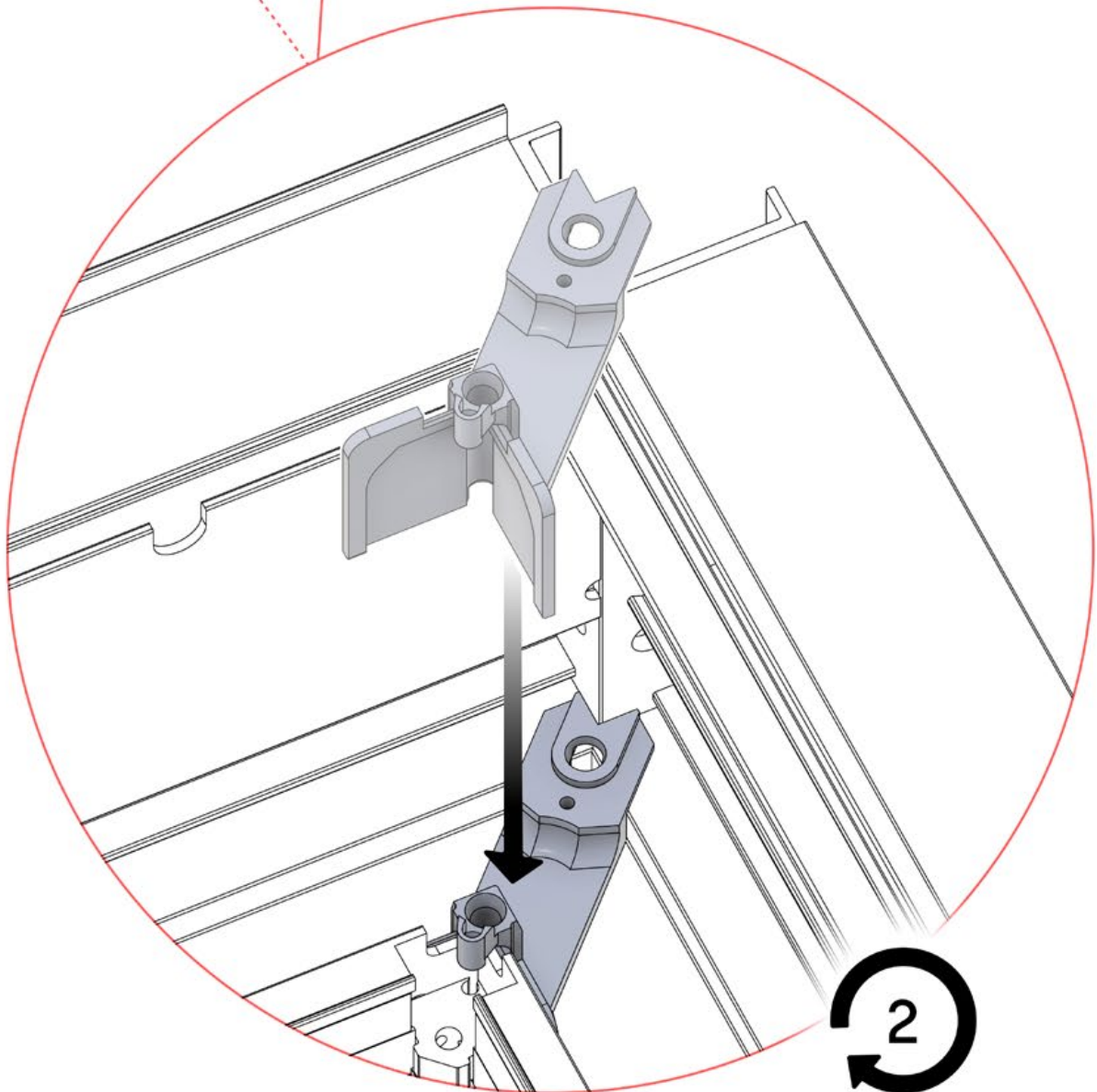
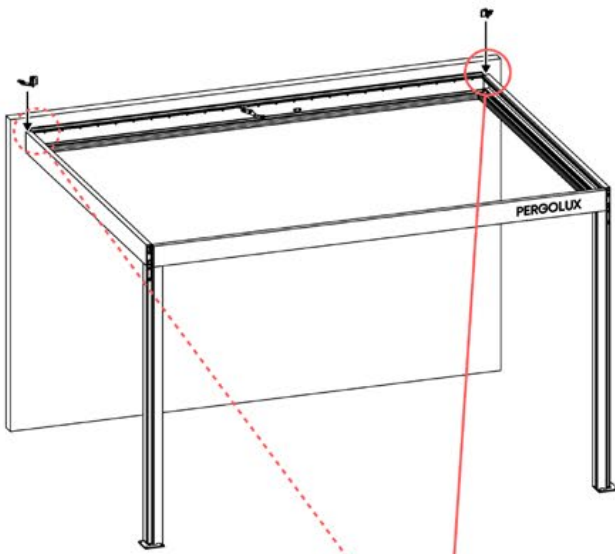
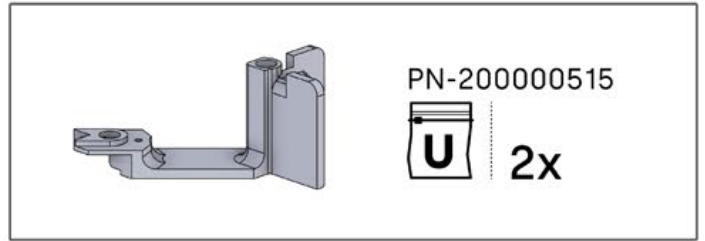


# 18

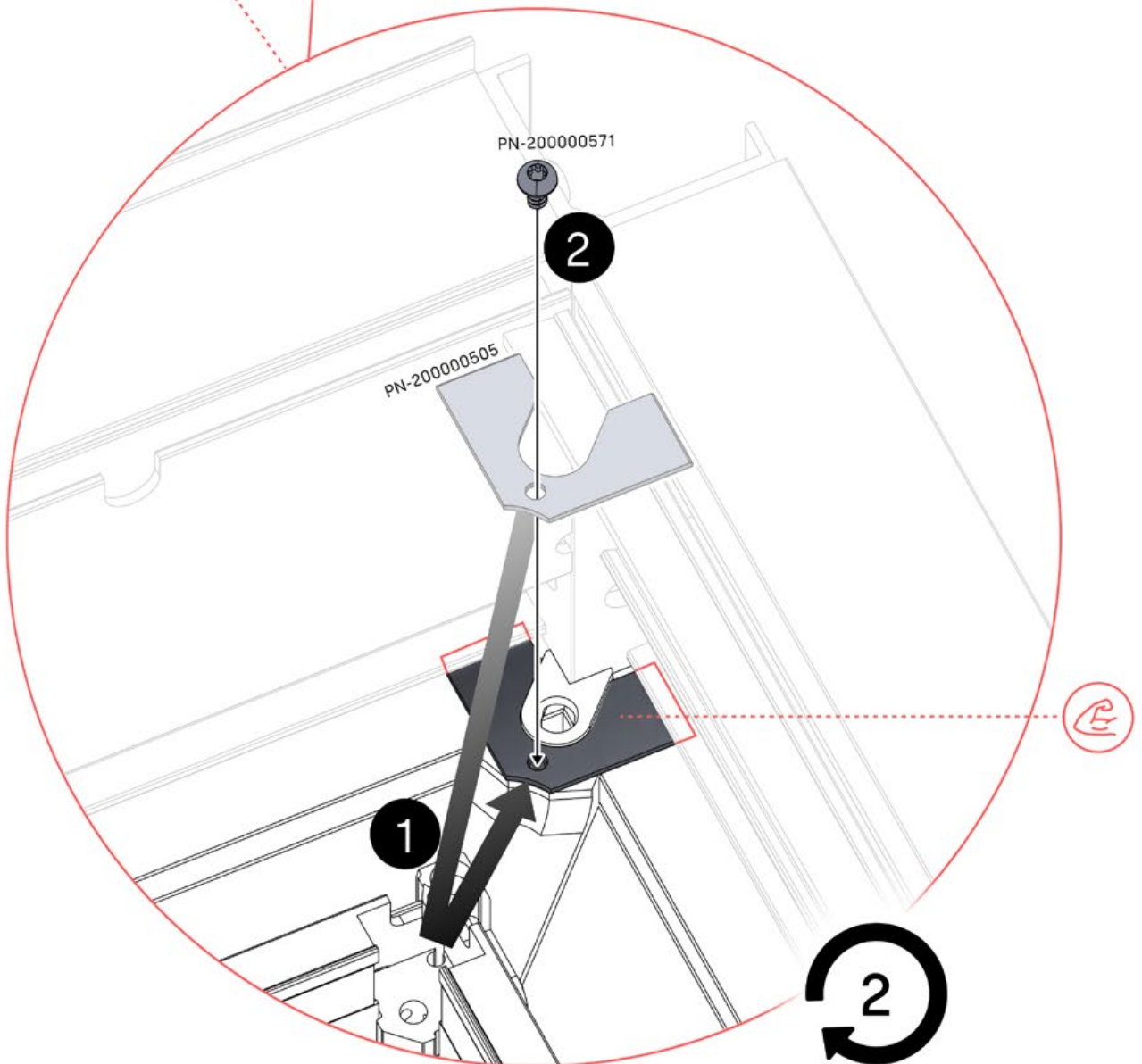
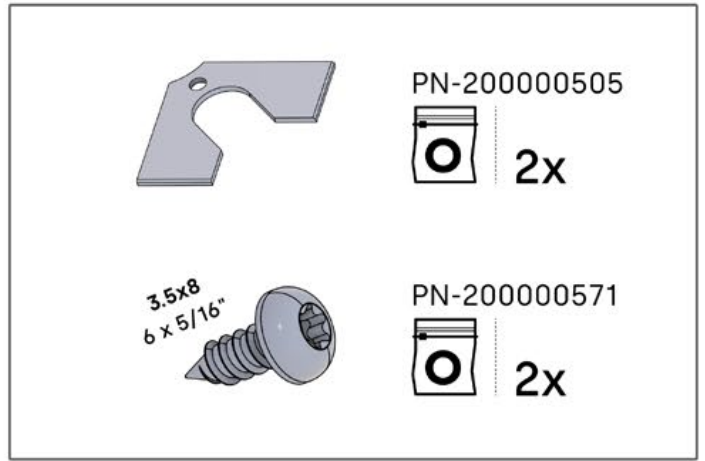
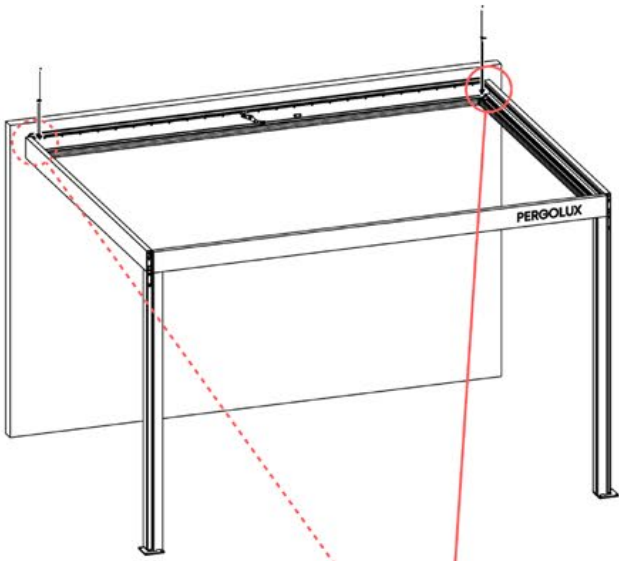




# 19



# 20

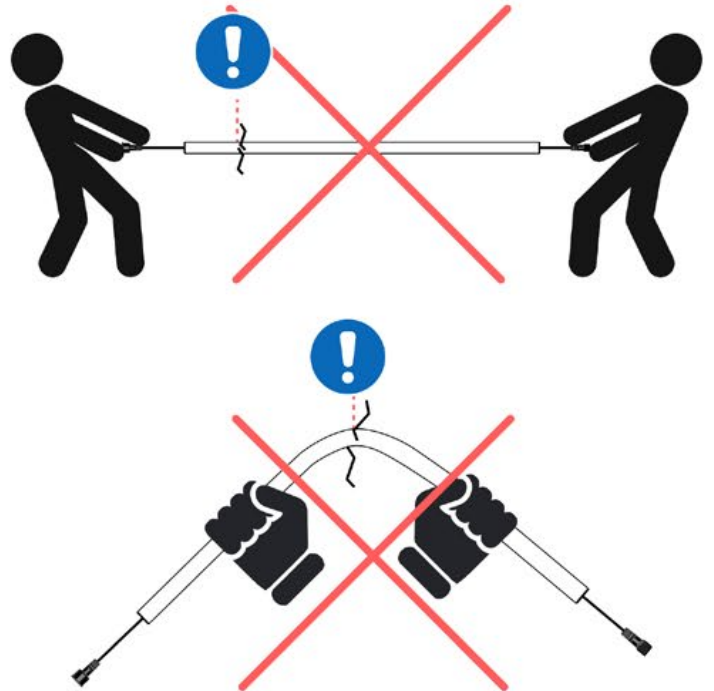


# IMPORTANT INFORMATION

---

## Handle with care.

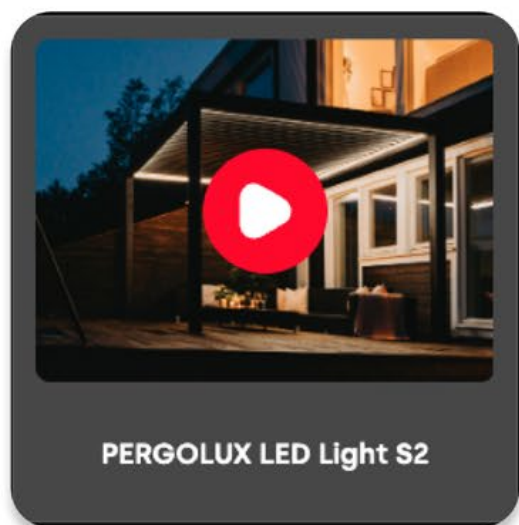
When installing the light strip, do not pull or bend the wires on both sides with force, as this may cause the solder joints to fall off.



---

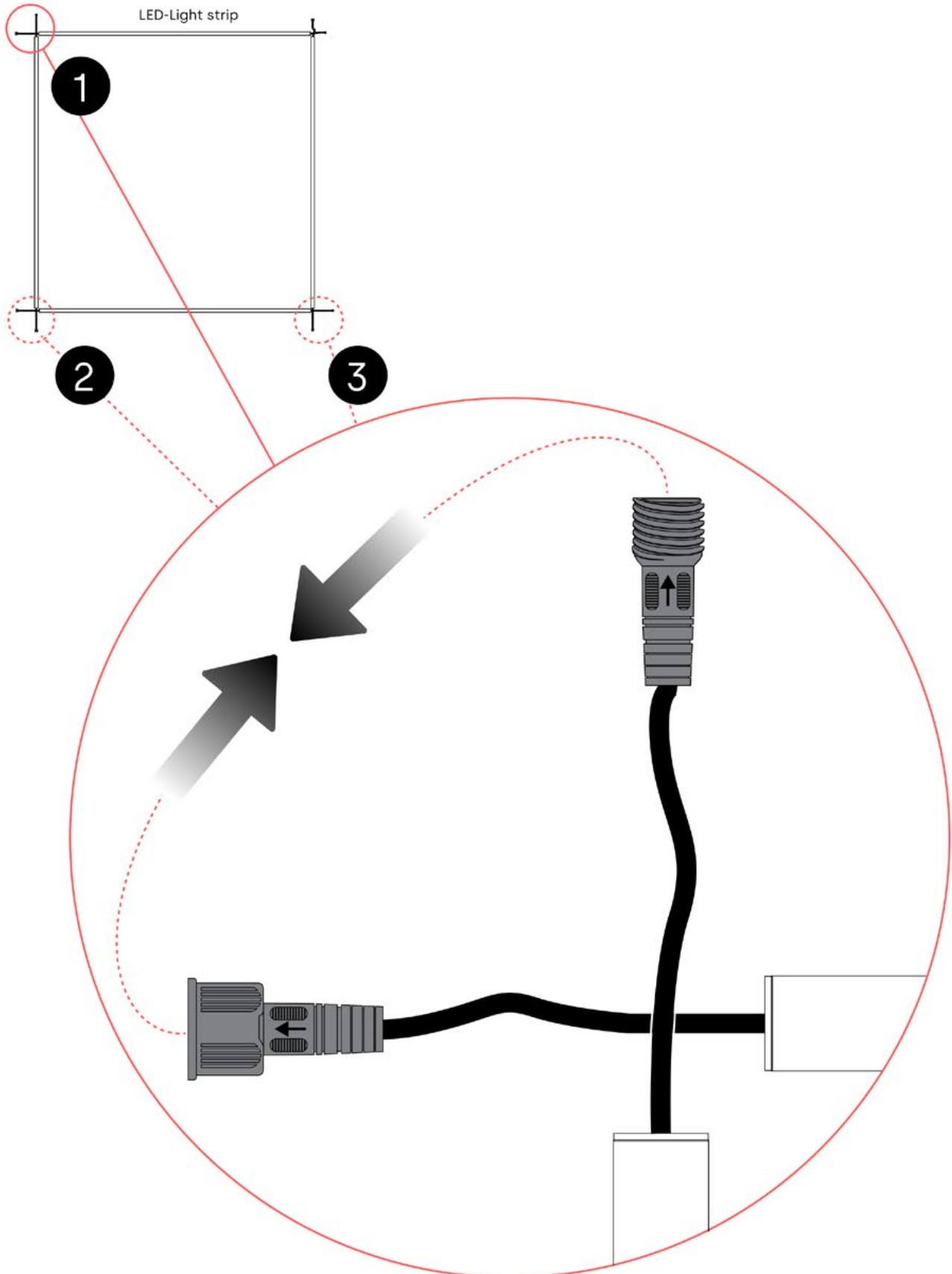
**Important! Please watch all the videos before starting the assembly.**

The videos contain important information relevant to the assembly process.

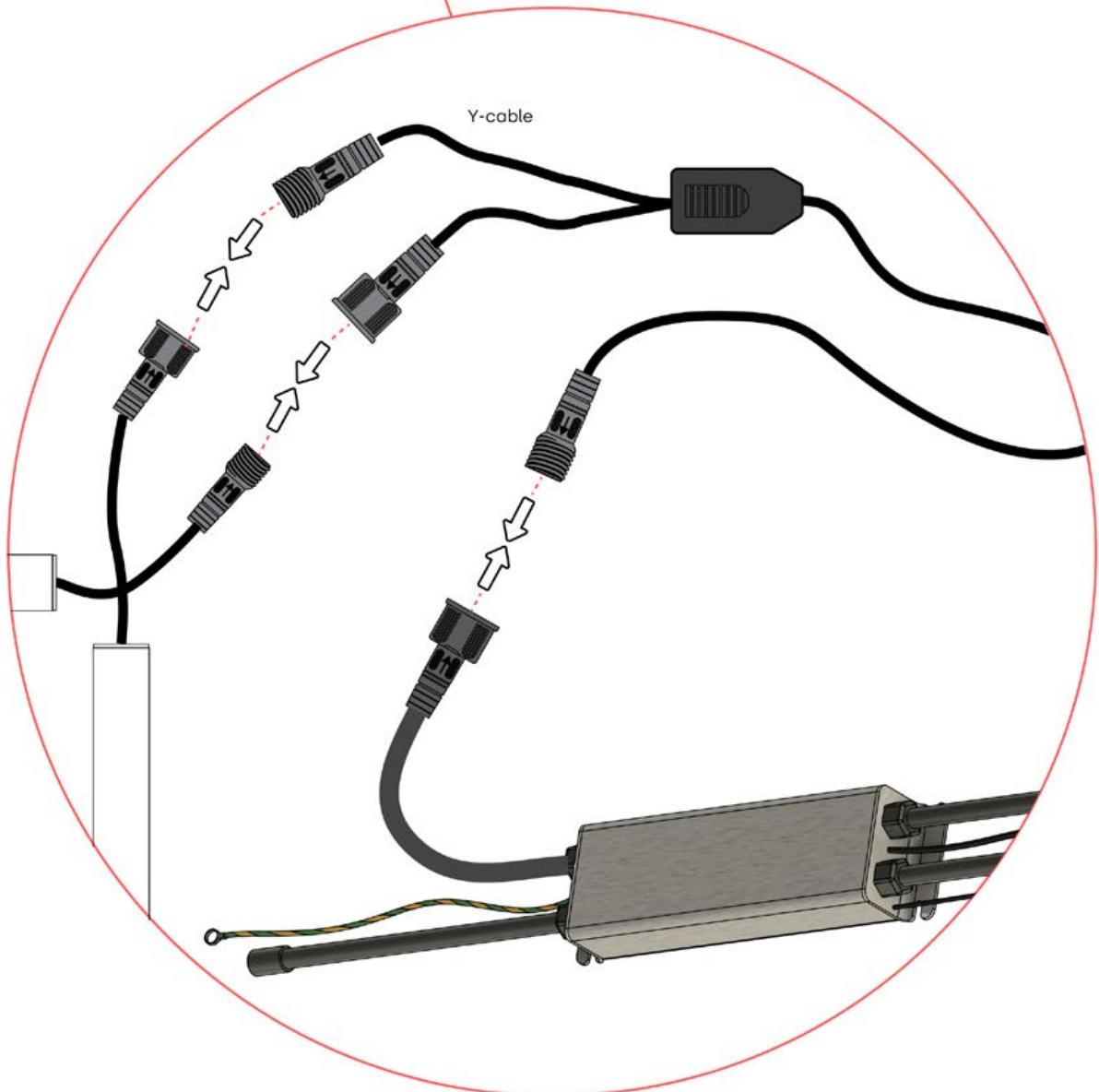
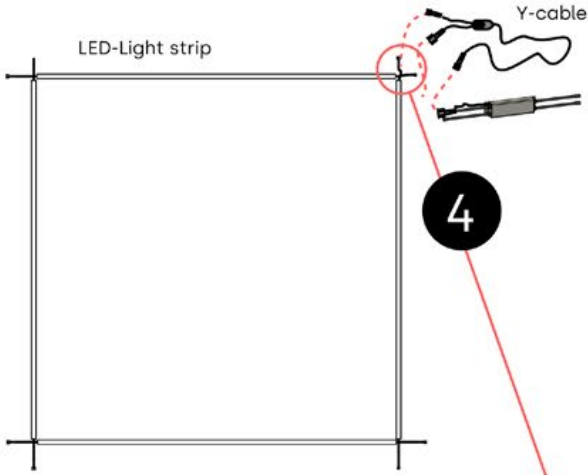


# IMPORTANT INFORMATION

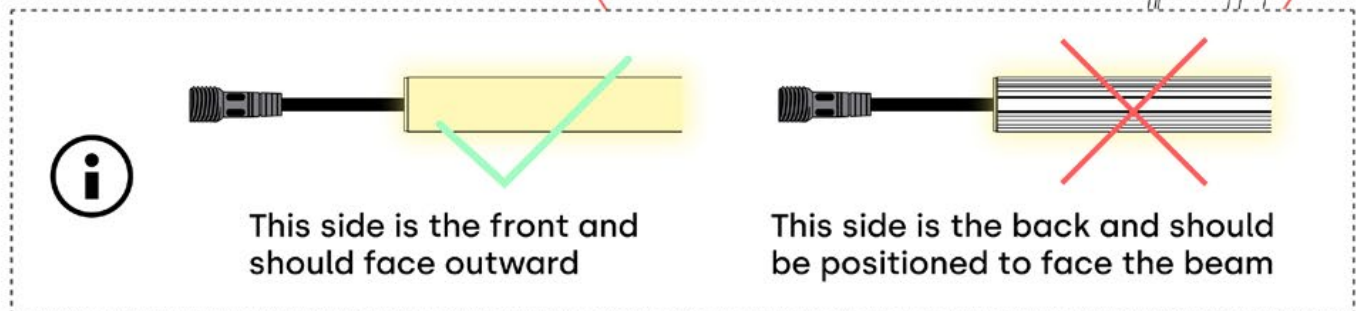
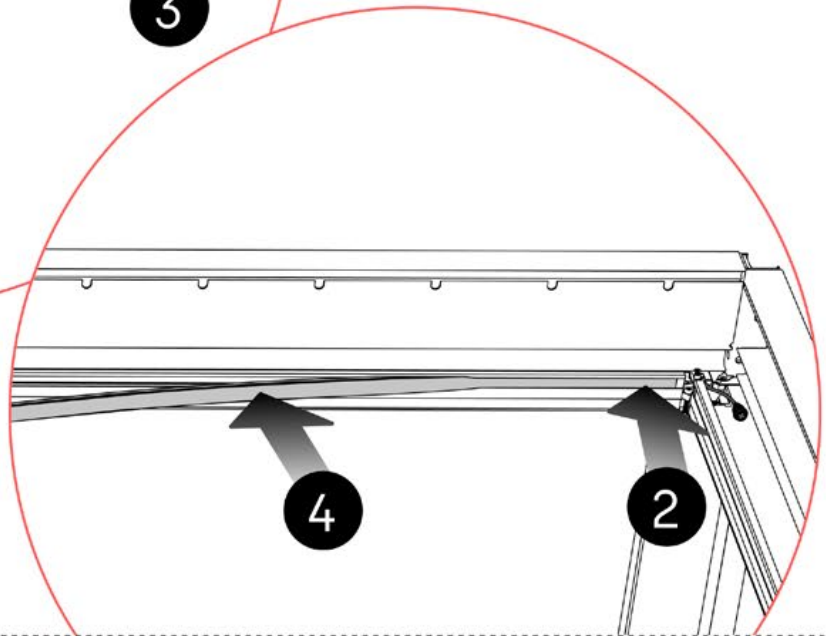
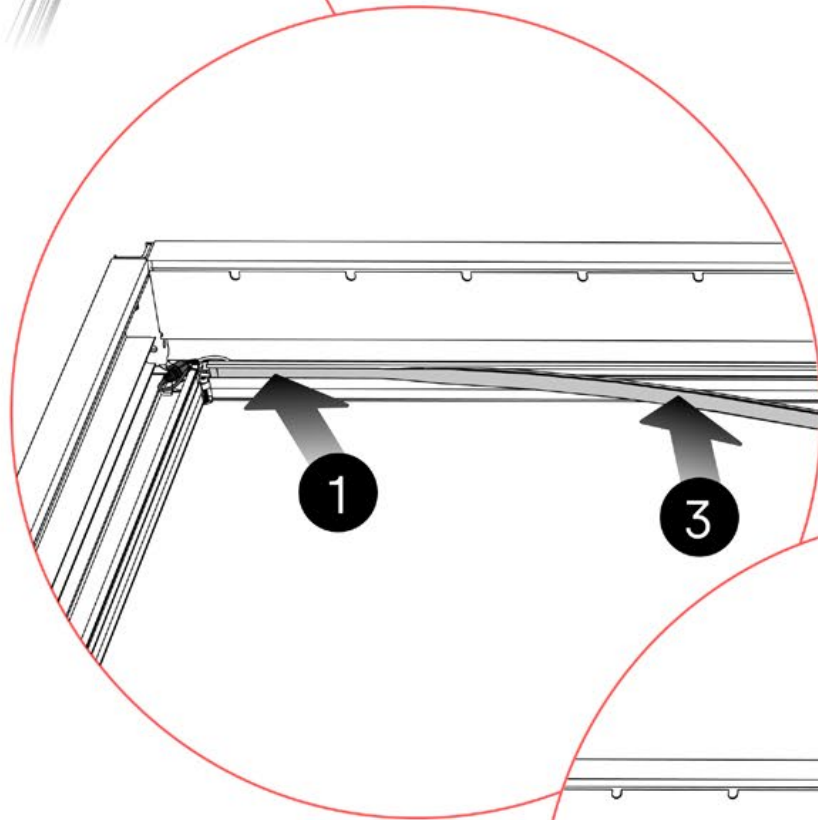
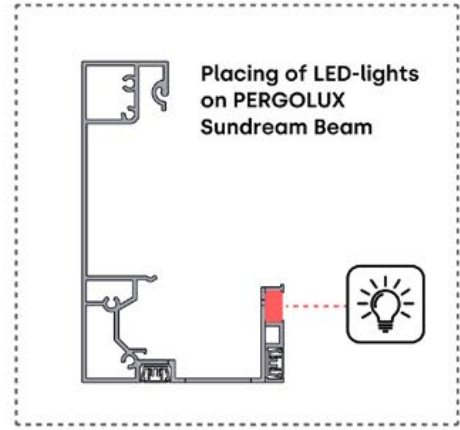
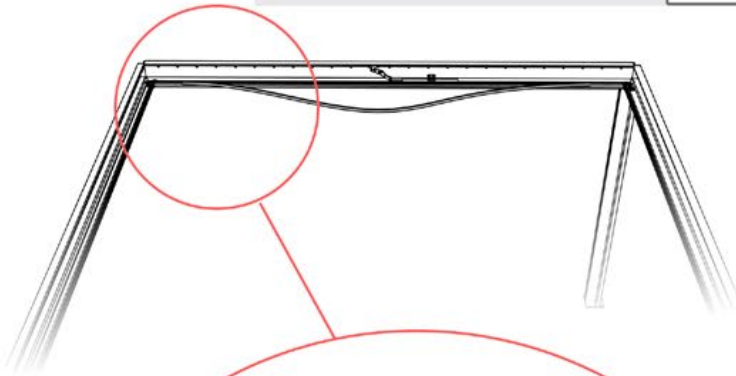
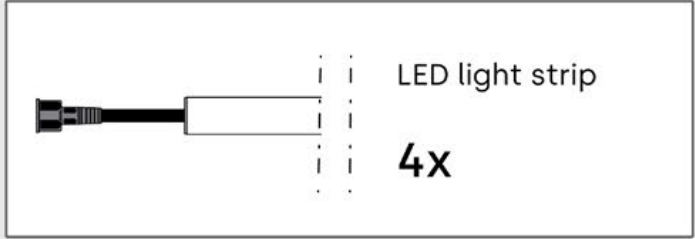
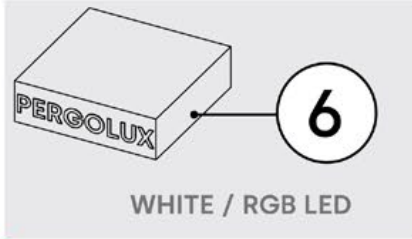
---



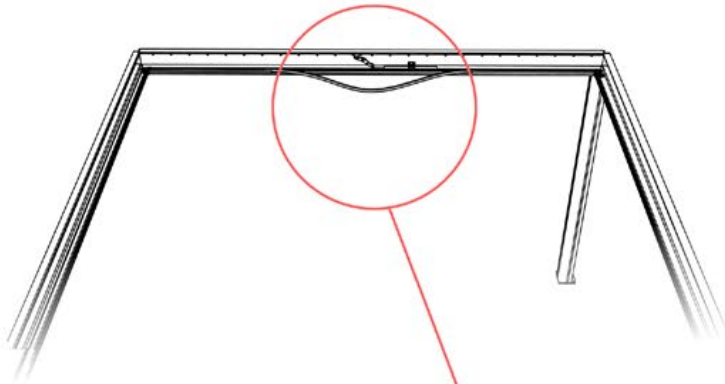
# IMPORTANT INFORMATION



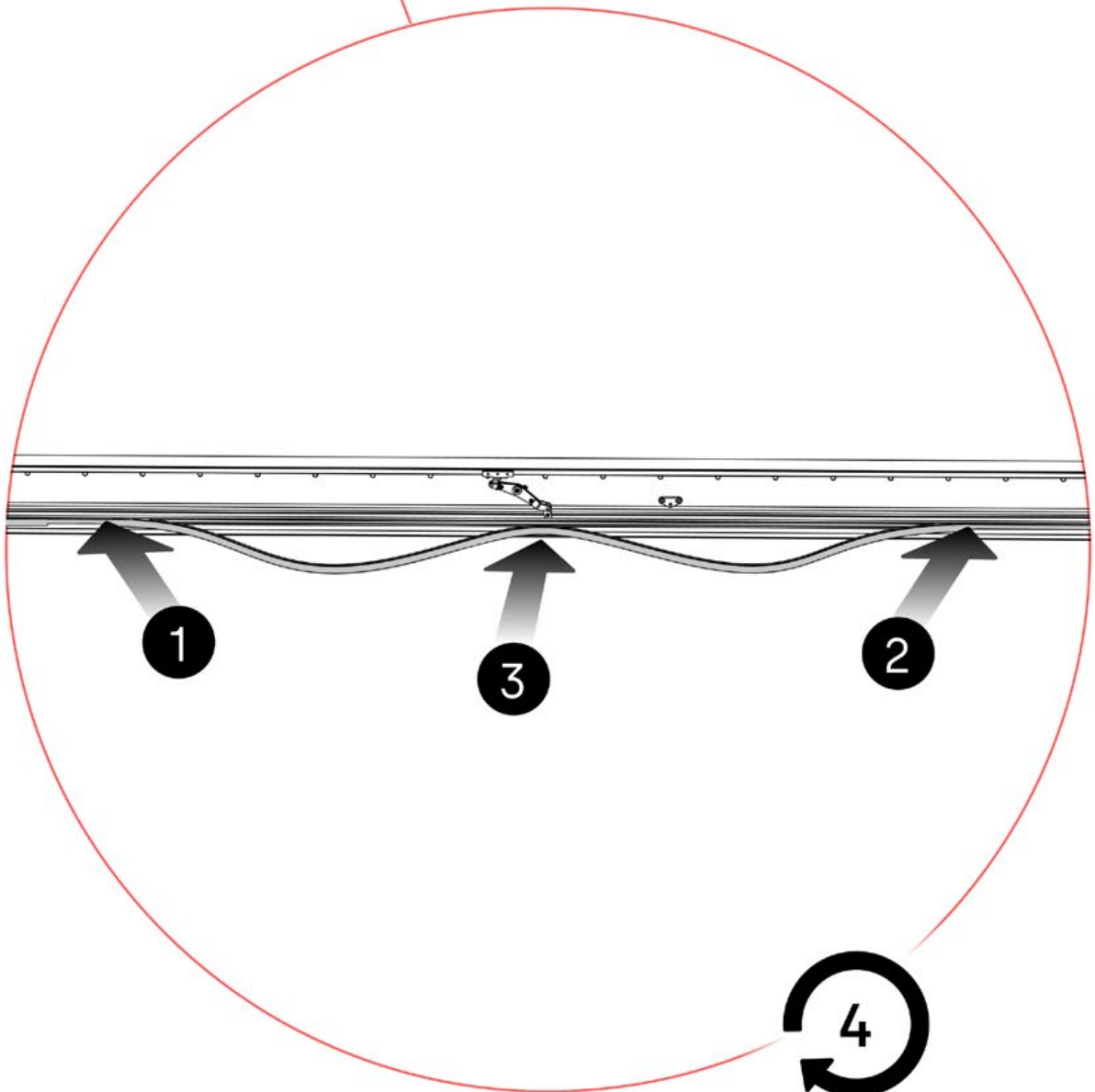
# 21



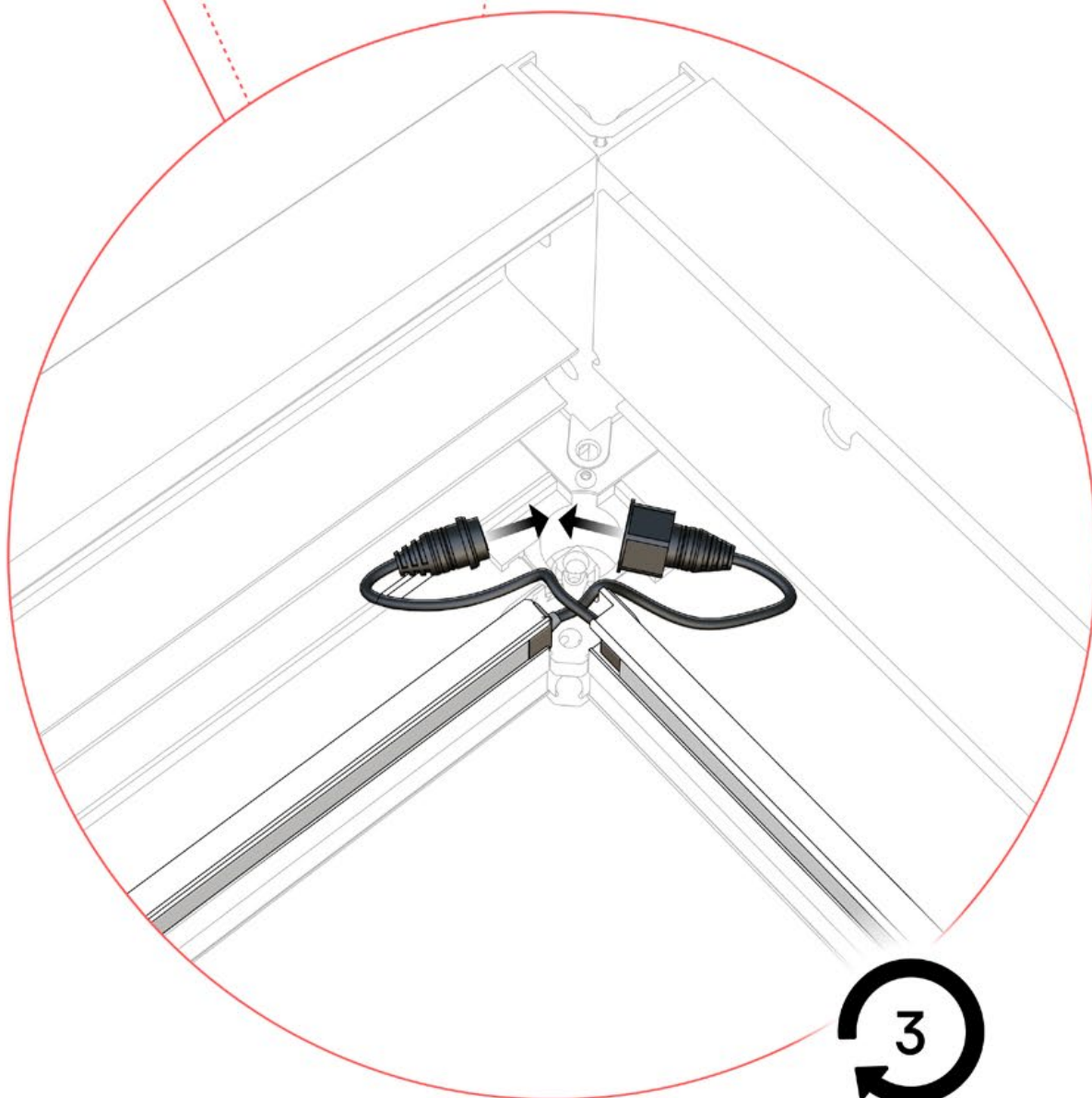
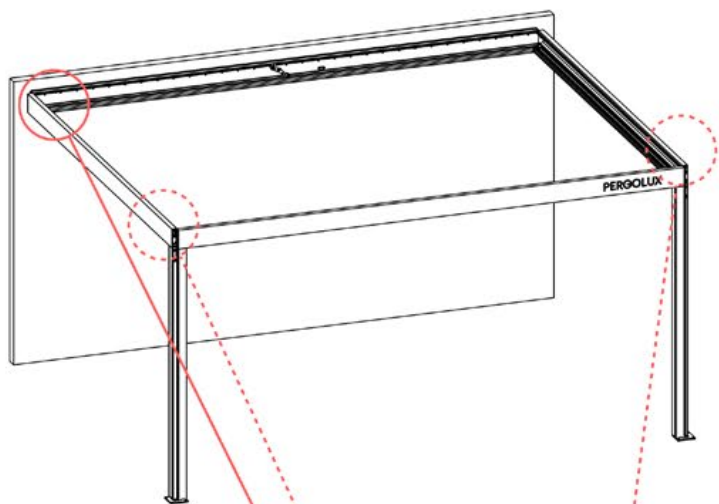
# 22



**Tip:** For a smoother LED installation, spray the track with soapy water before mounting.

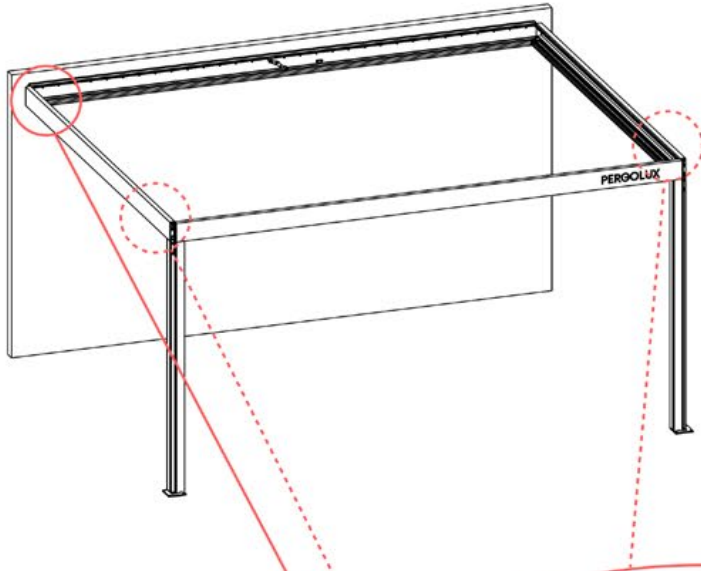


# 23

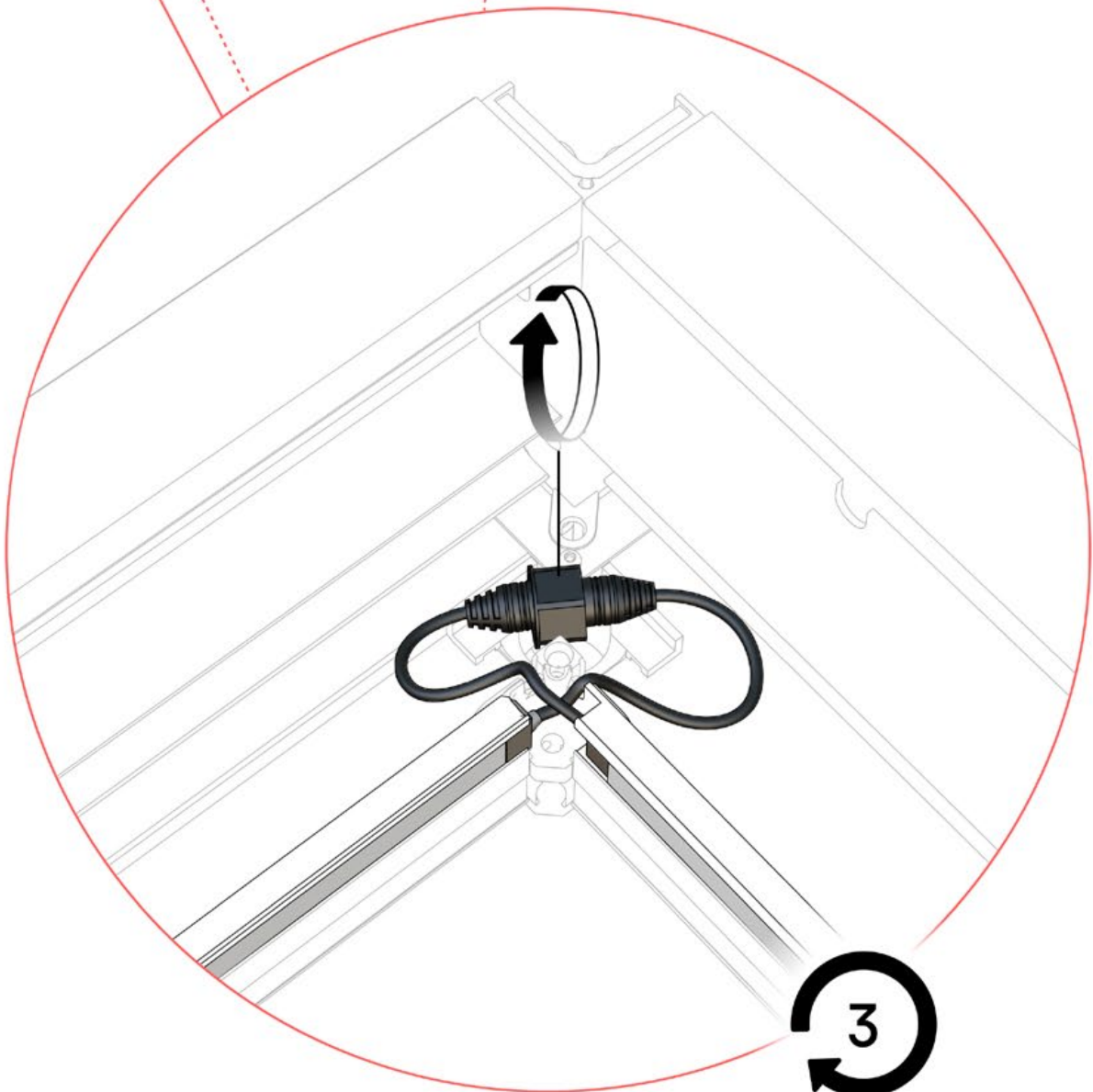
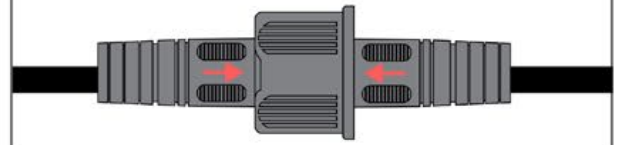




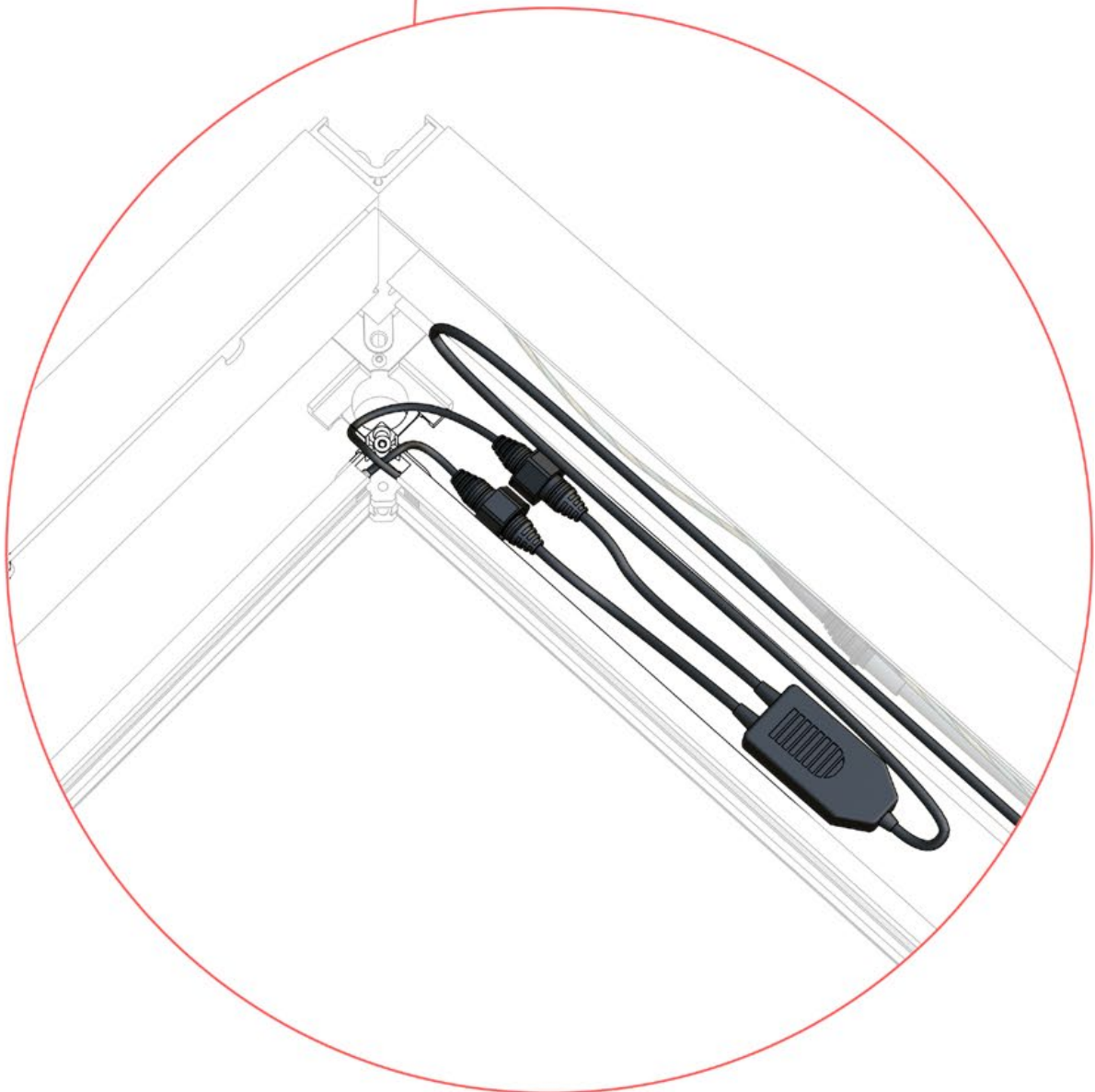
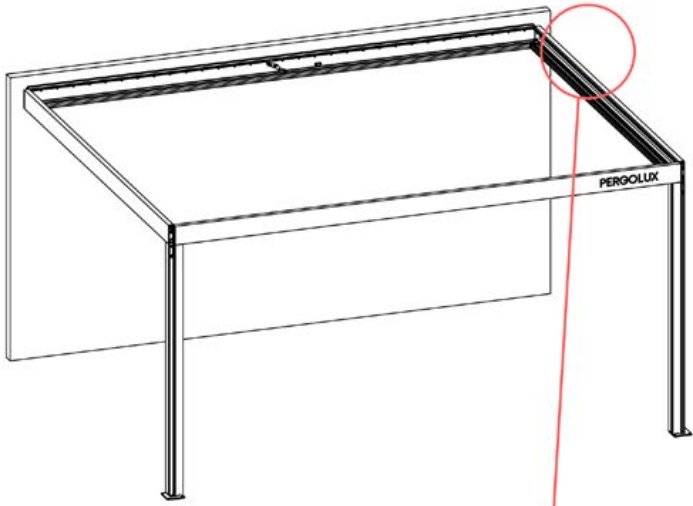
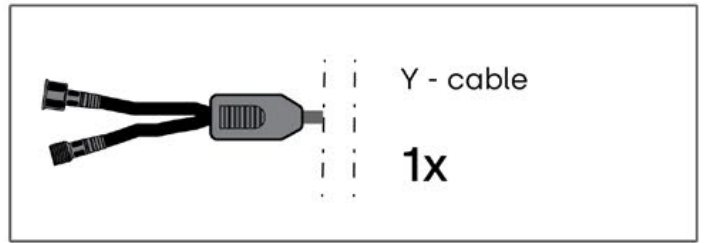
# 24



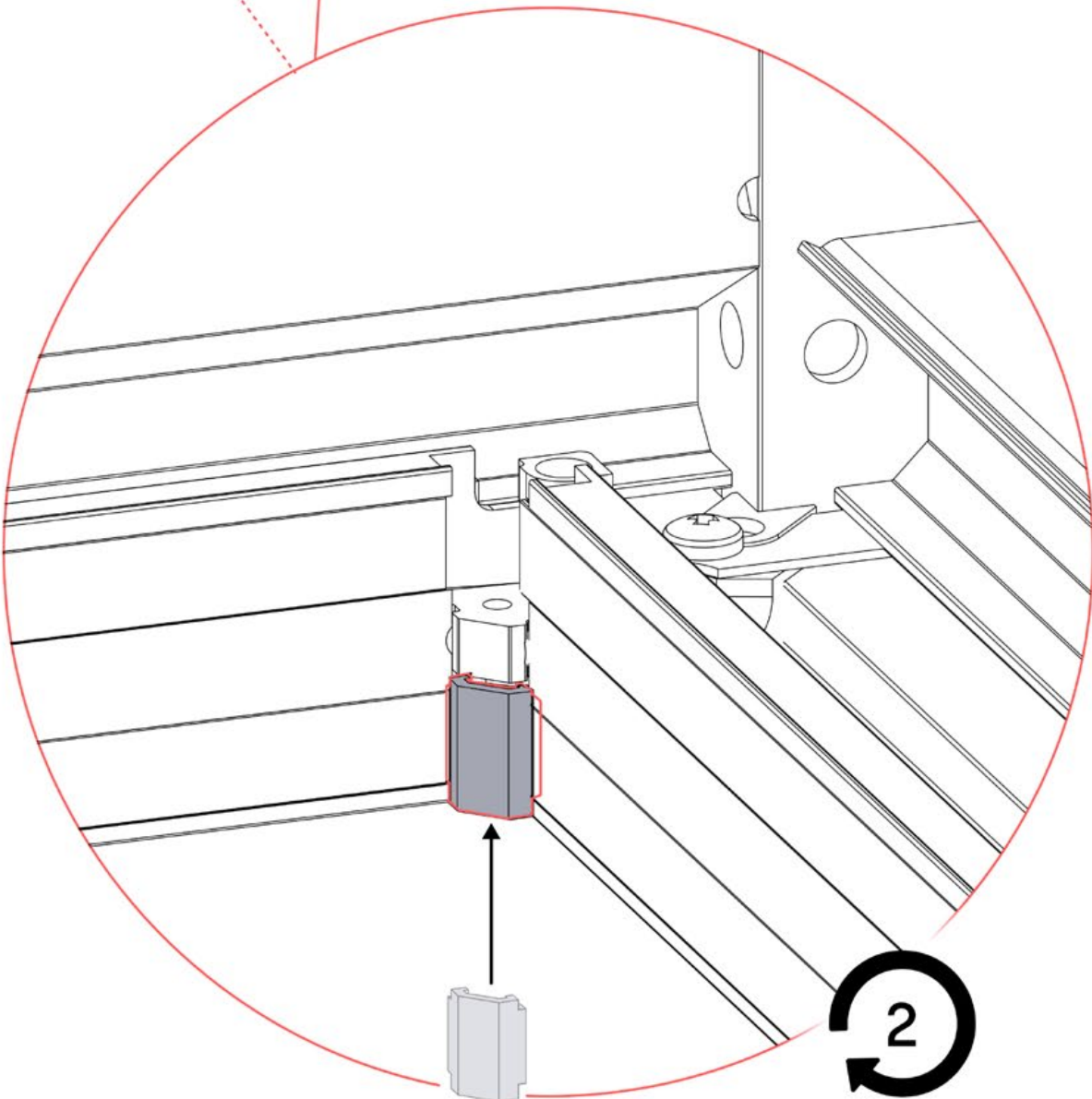
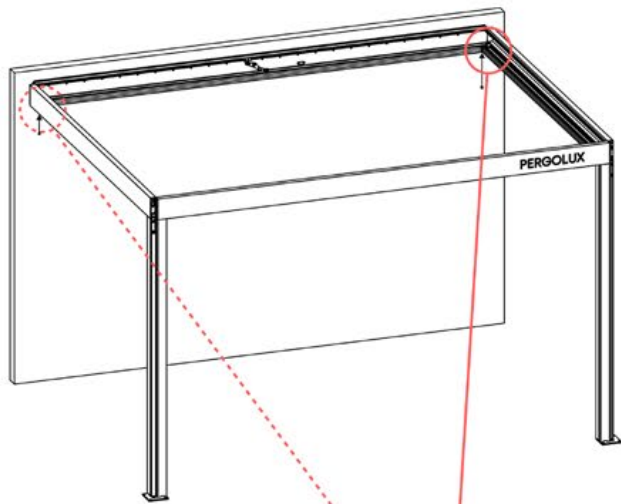
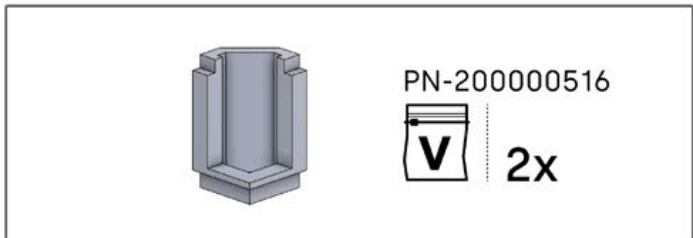
For proper water tightness, ensure that the connectors are aligned correctly. The arrows on the connectors should always point towards each other



# 25

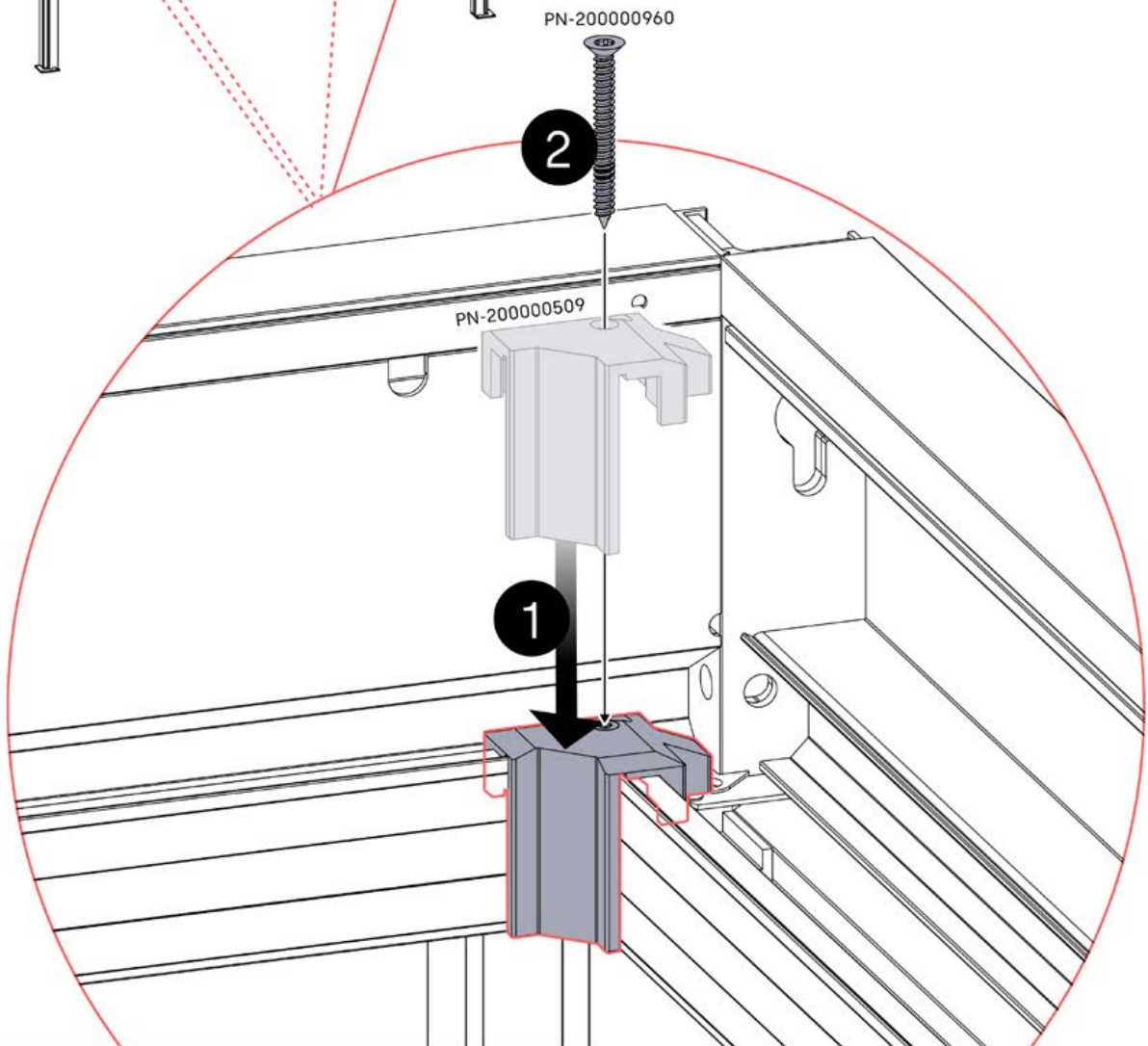
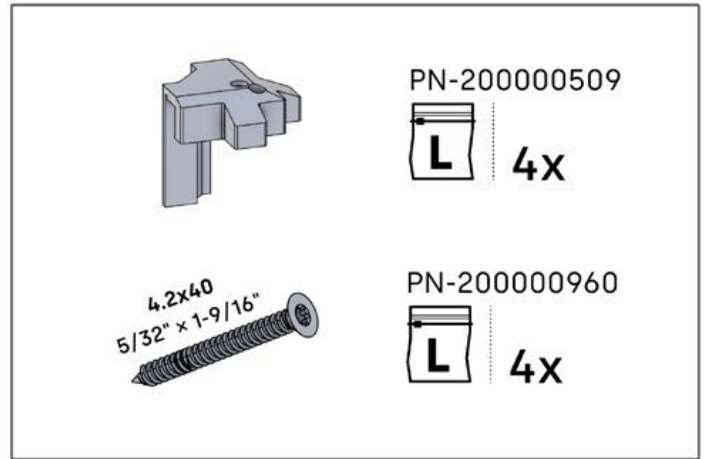
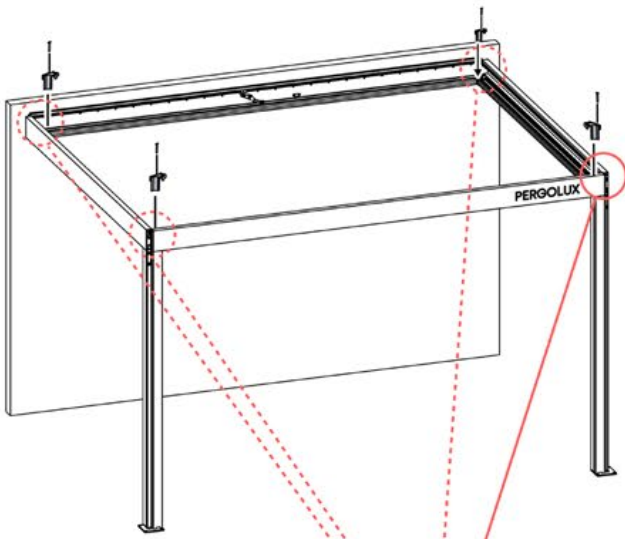


# 26



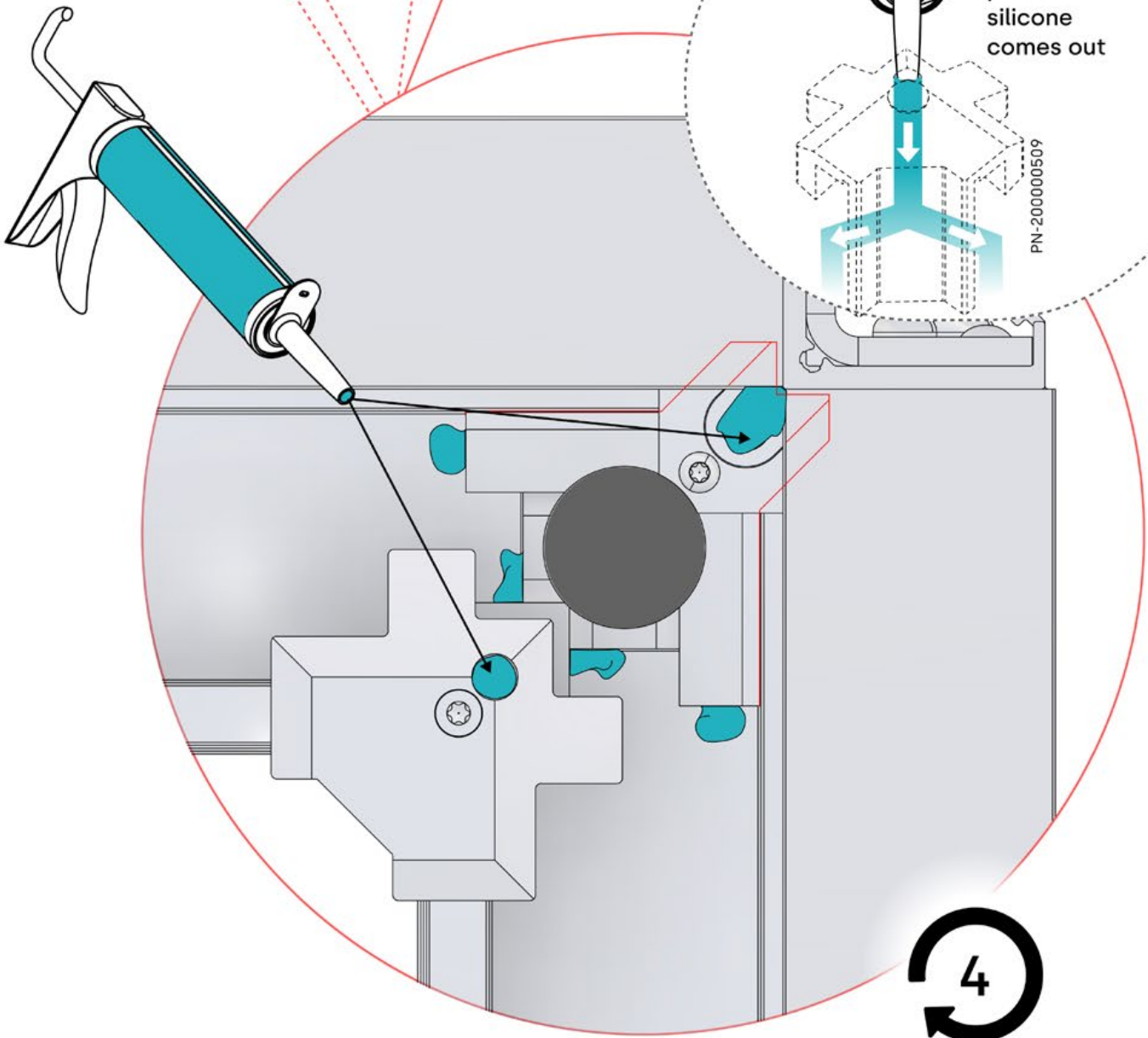
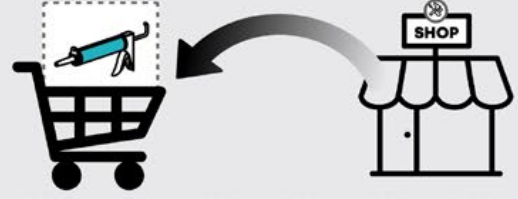
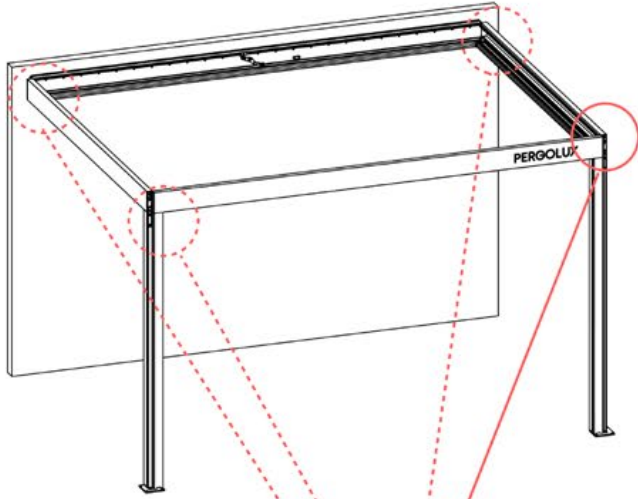
PN-200000516

# 27

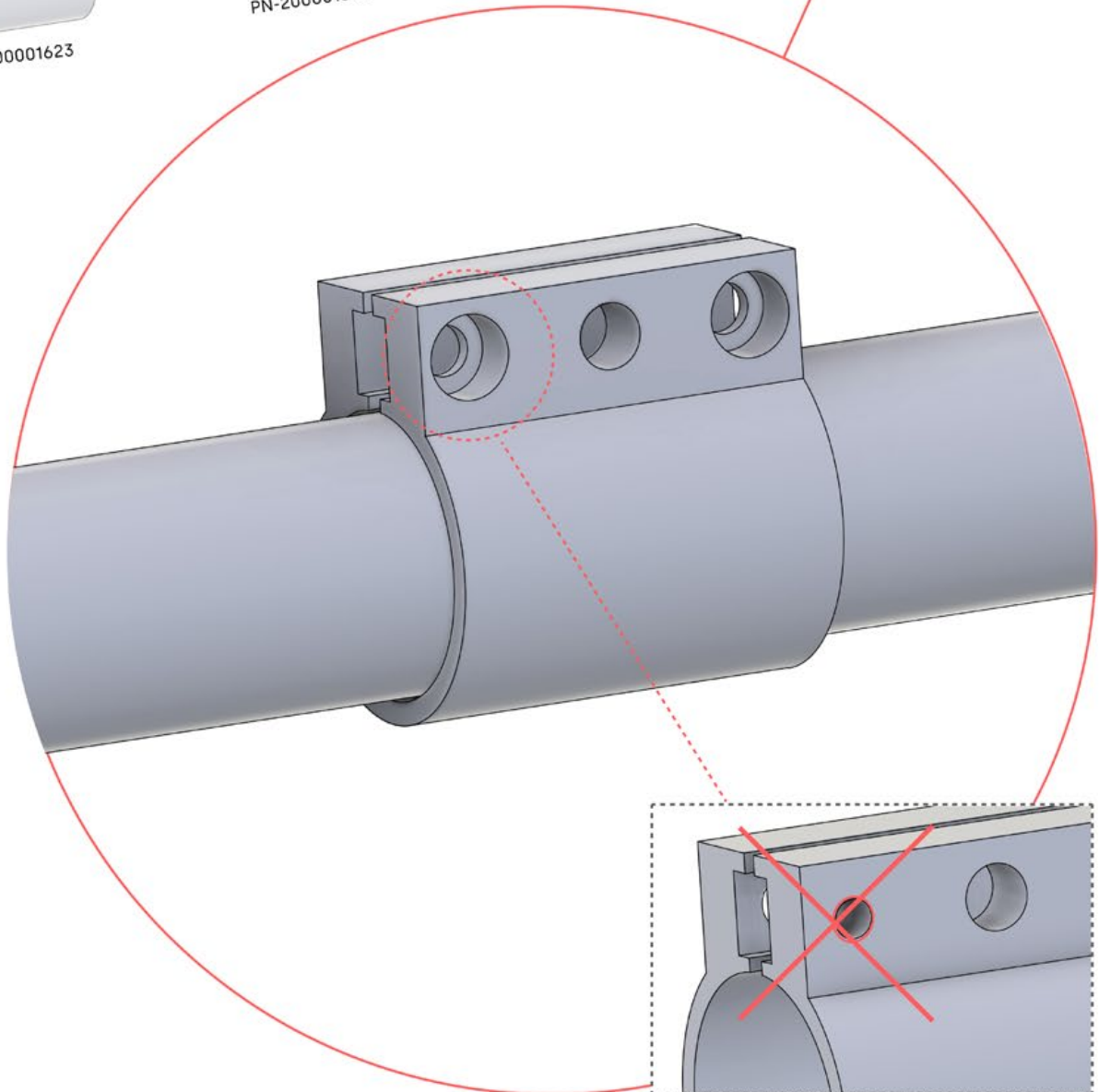
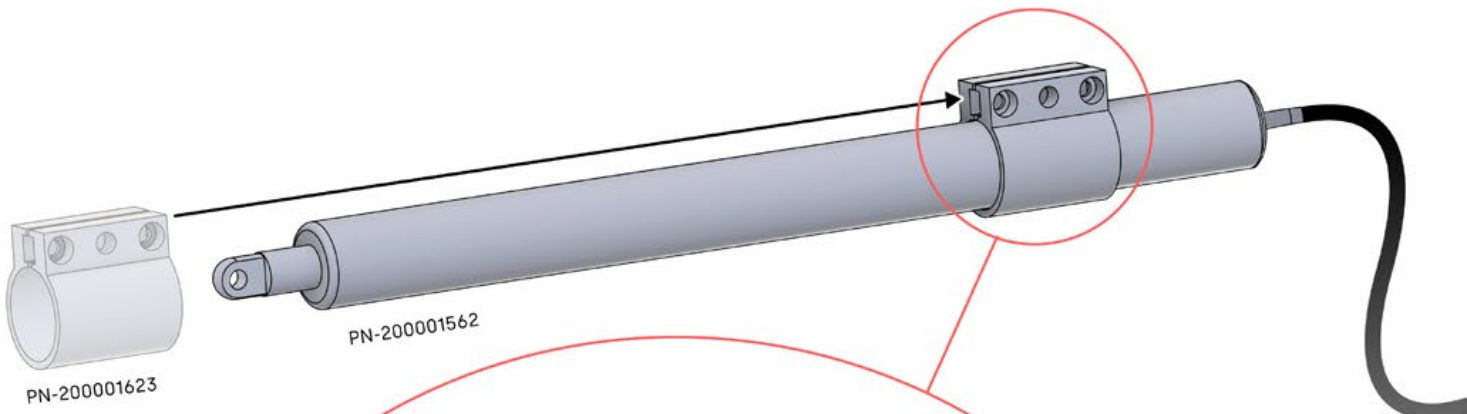
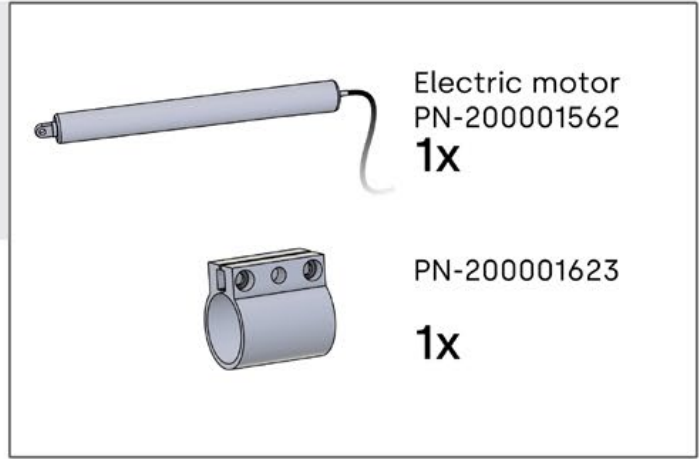
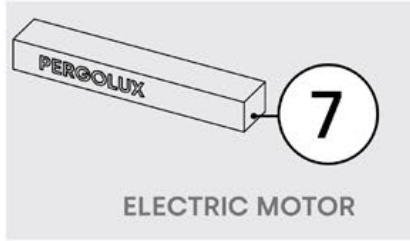


Be careful, don't screw through the LED cables.

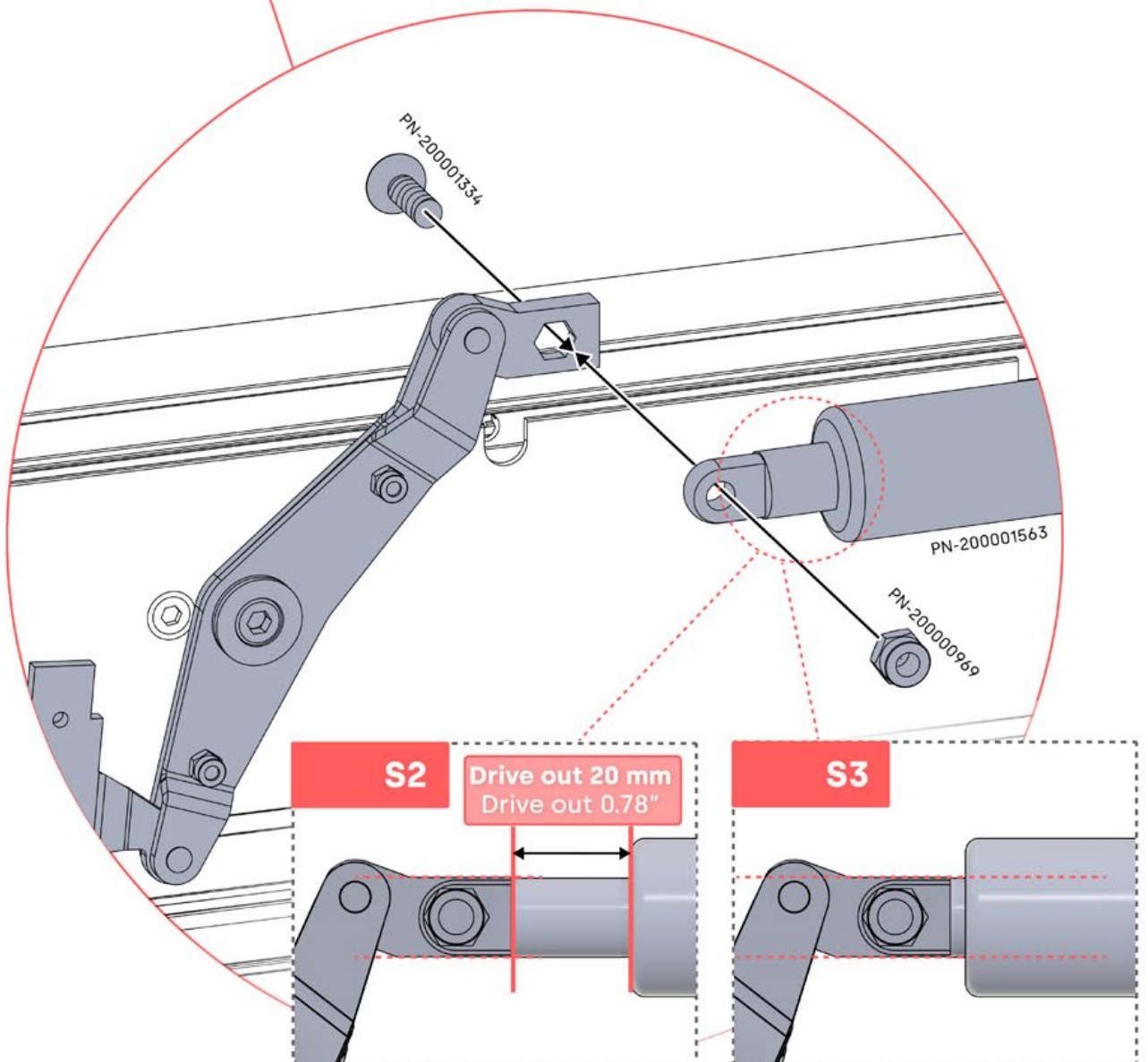
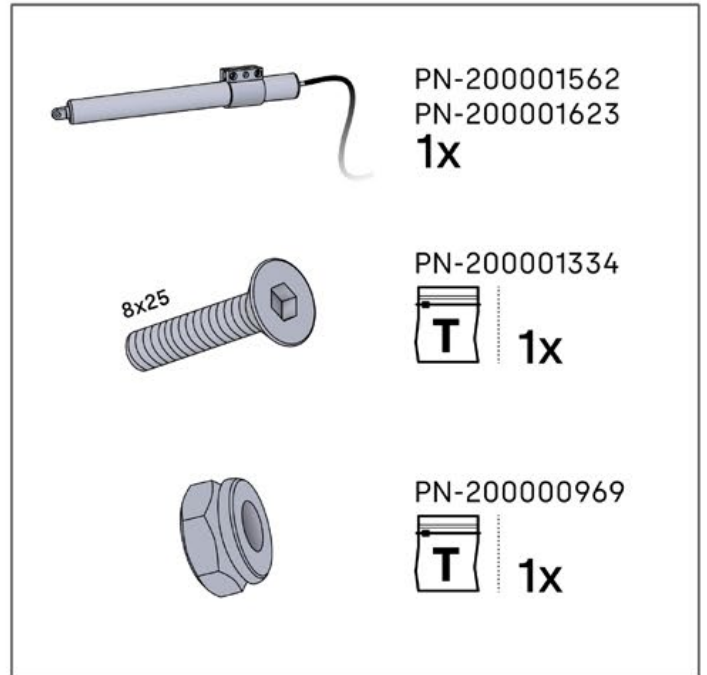
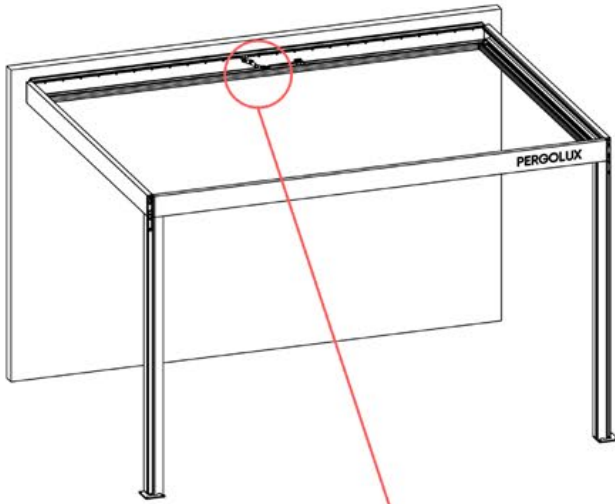
# 28



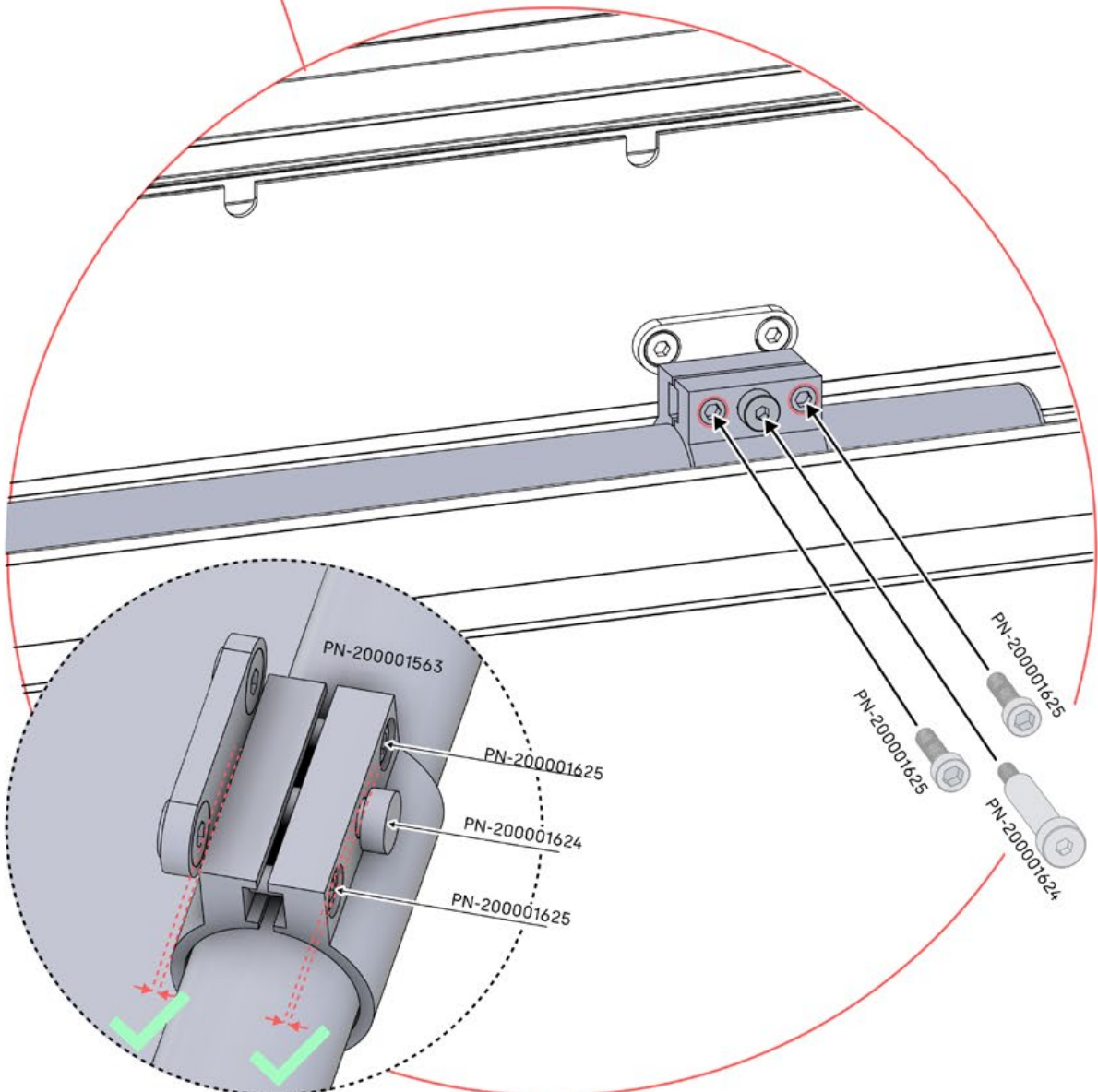
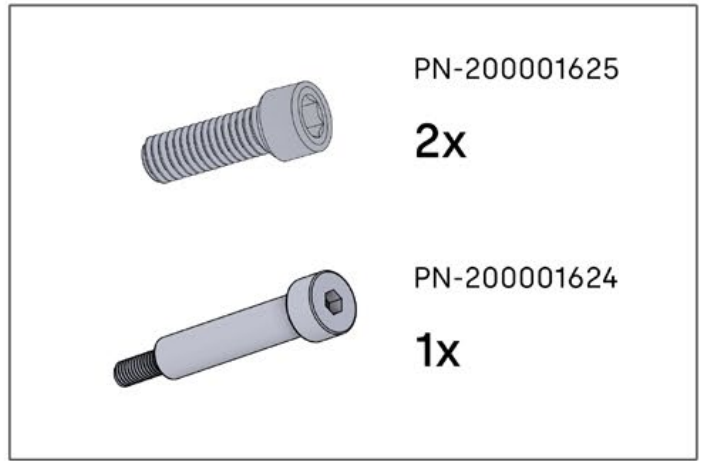
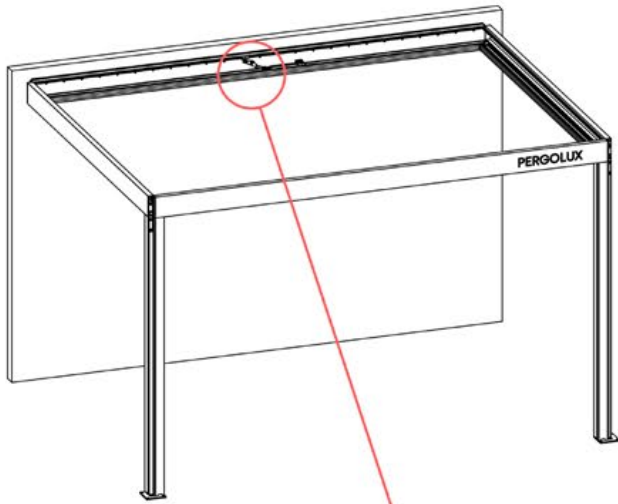
# 29



# 30



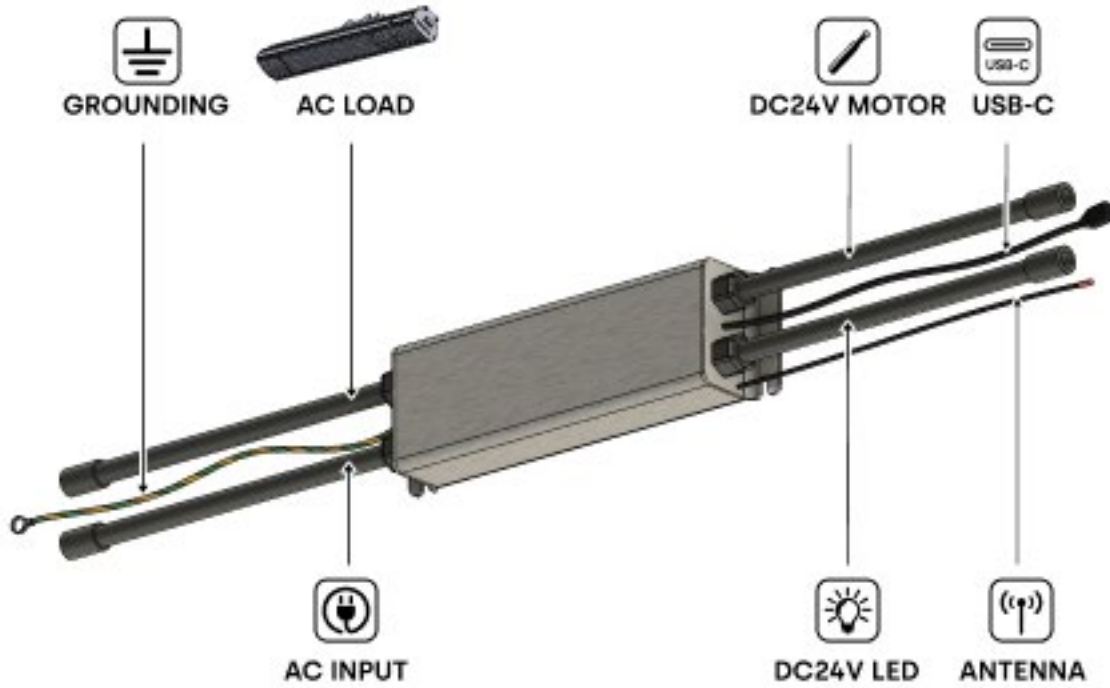
# 31



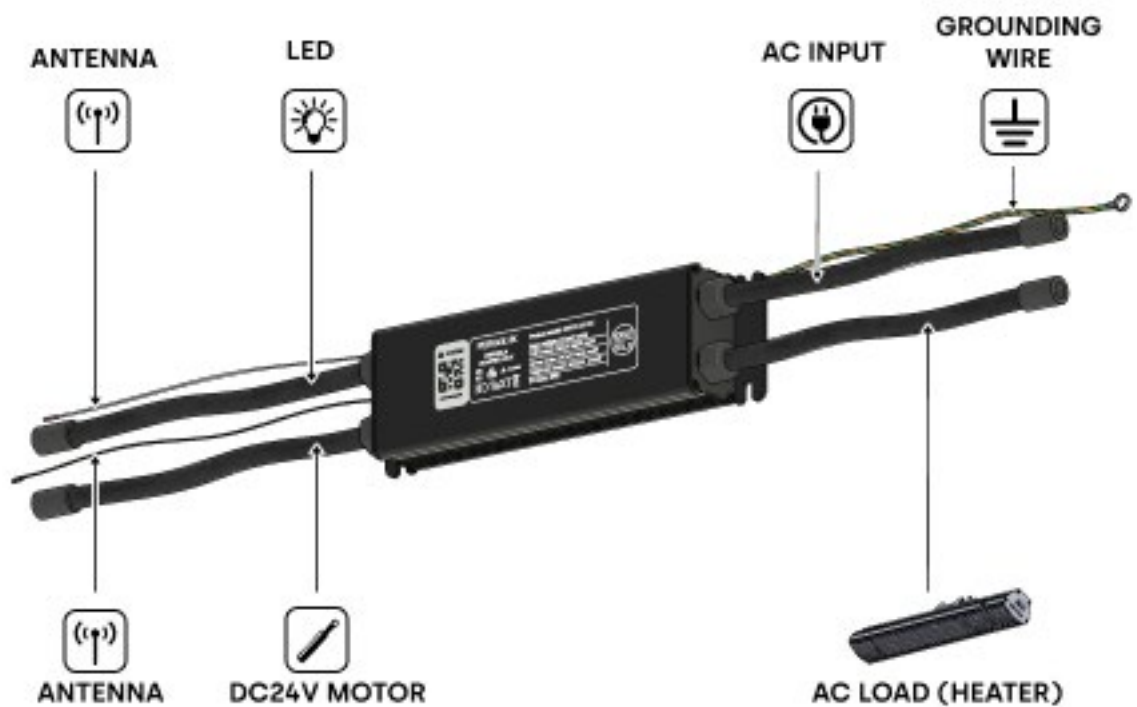


# INPUTS AND OUTPUTS

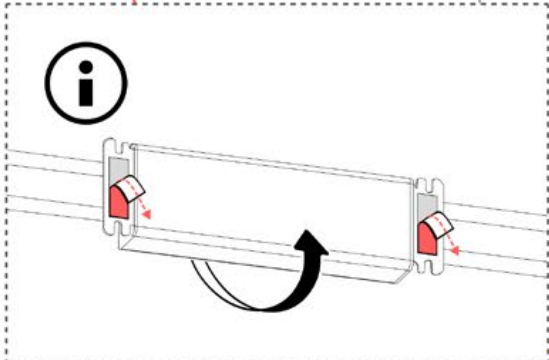
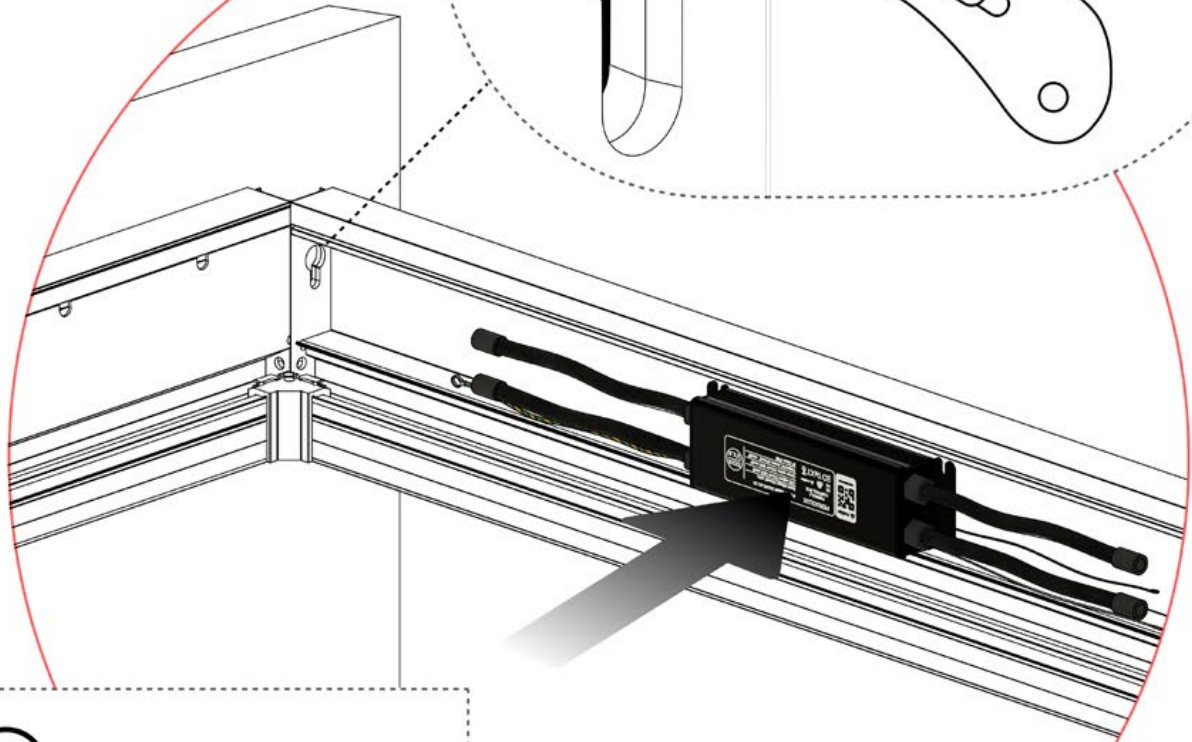
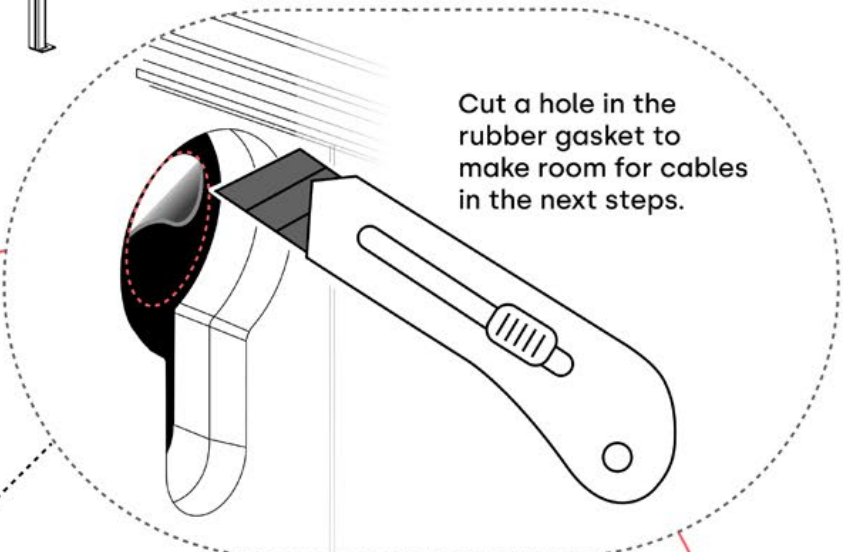
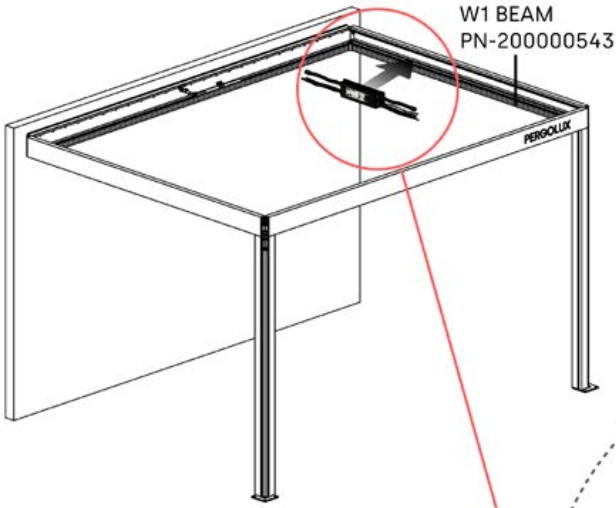
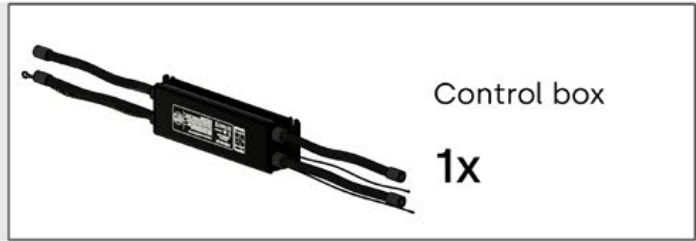
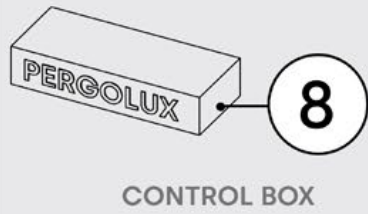
S2



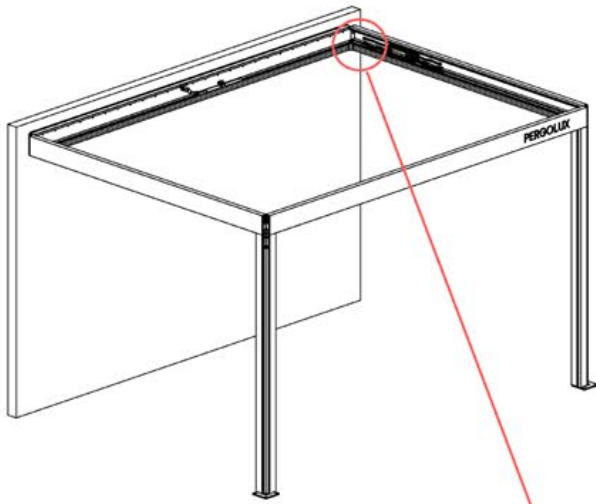
S3





# 32




# 33

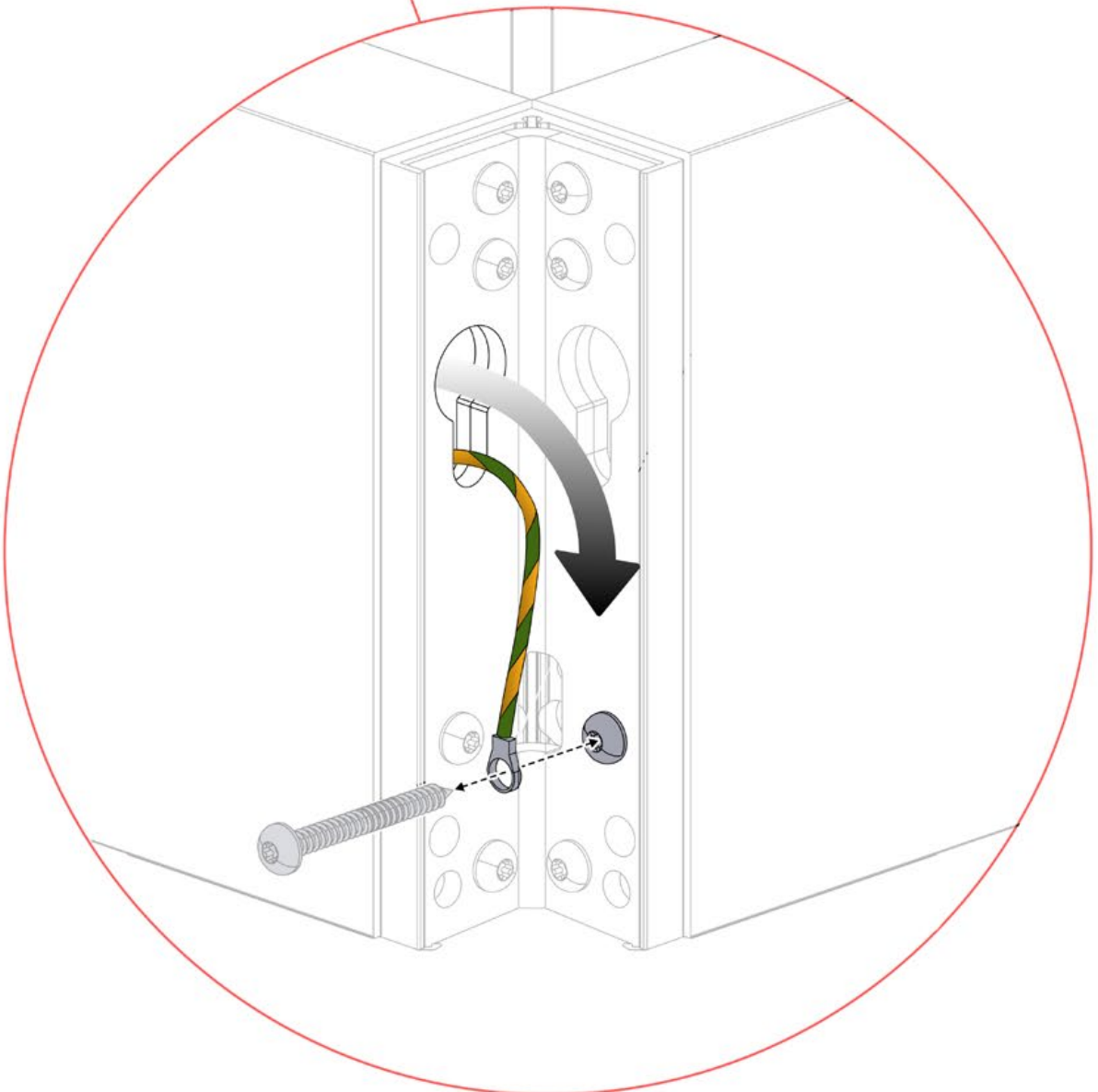


 **Connect grounding wire before connecting to power!**

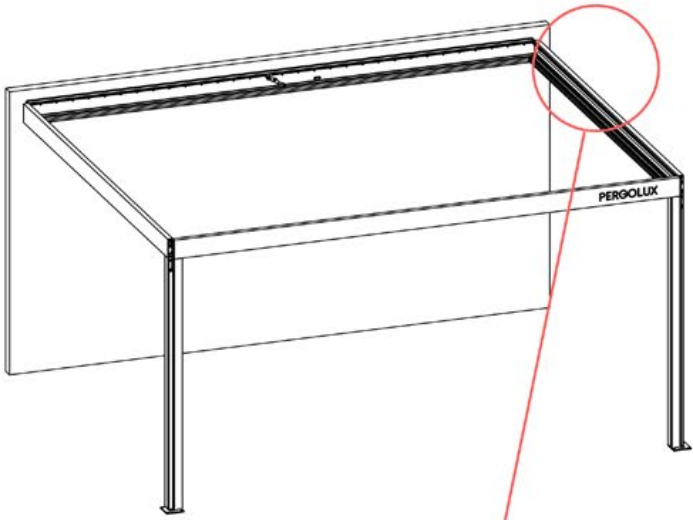
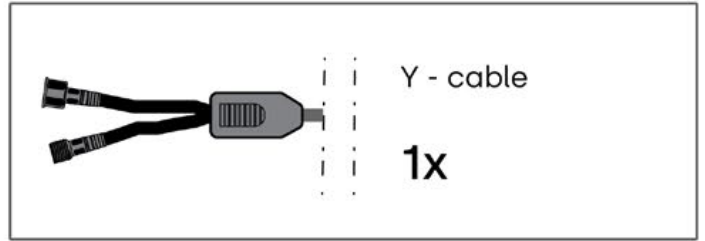


 **GROUNDING**

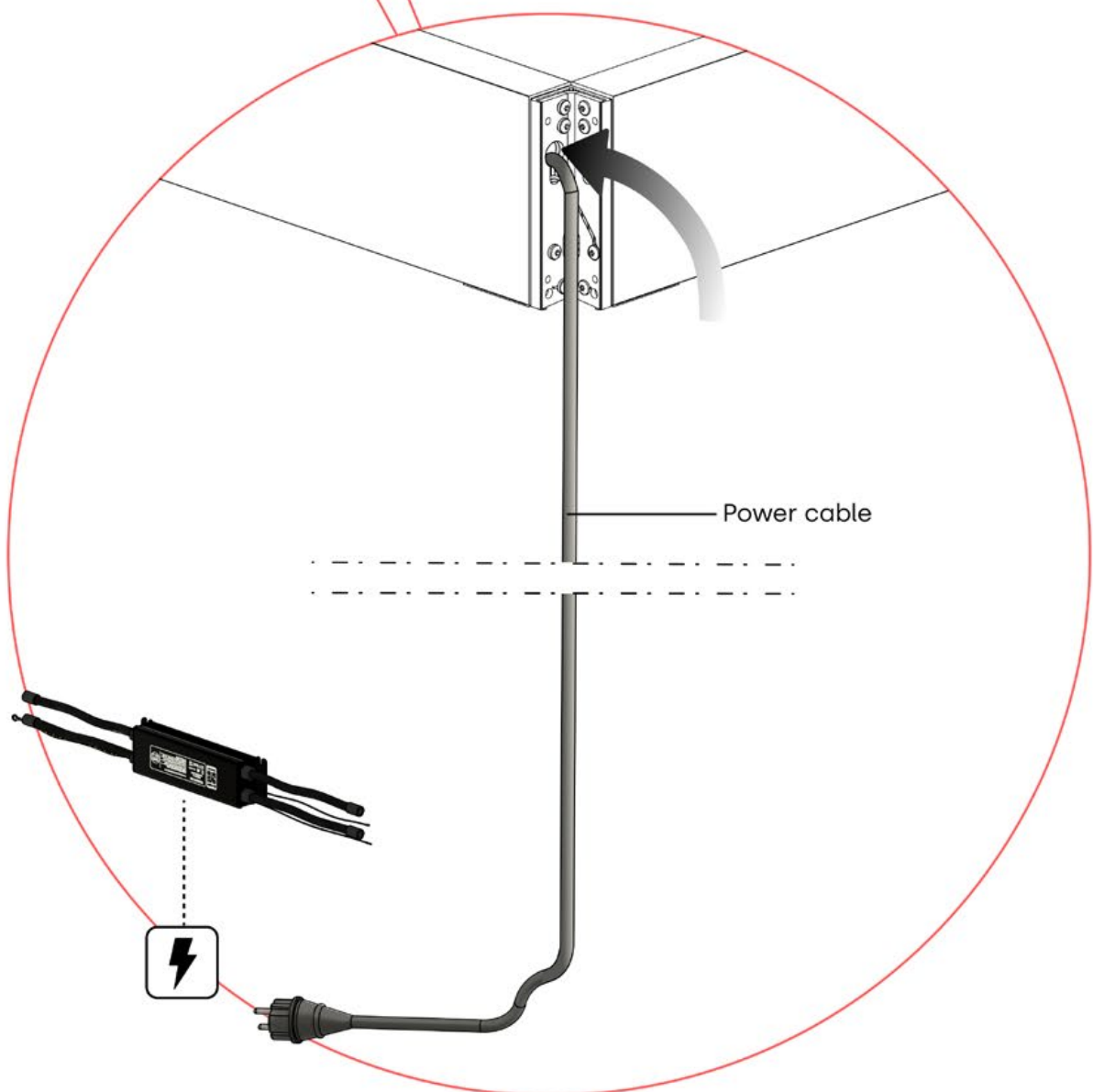
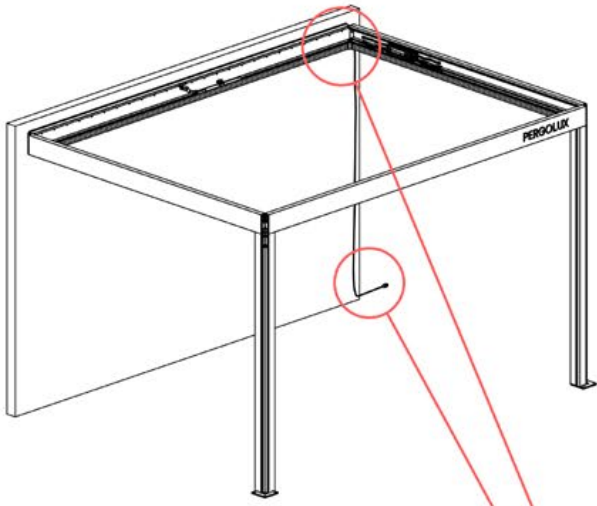
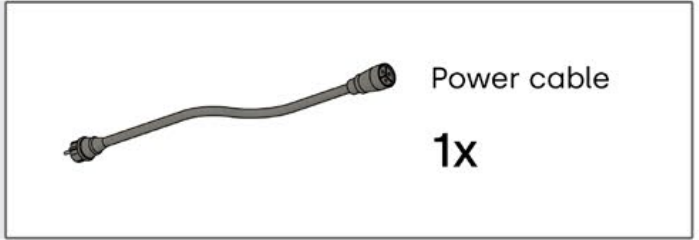
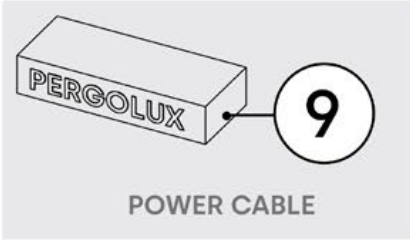
This block contains a warning icon and text, a diagram of a hand connecting a wire to a grounding symbol, and the word 'GROUNDING' below the symbol.



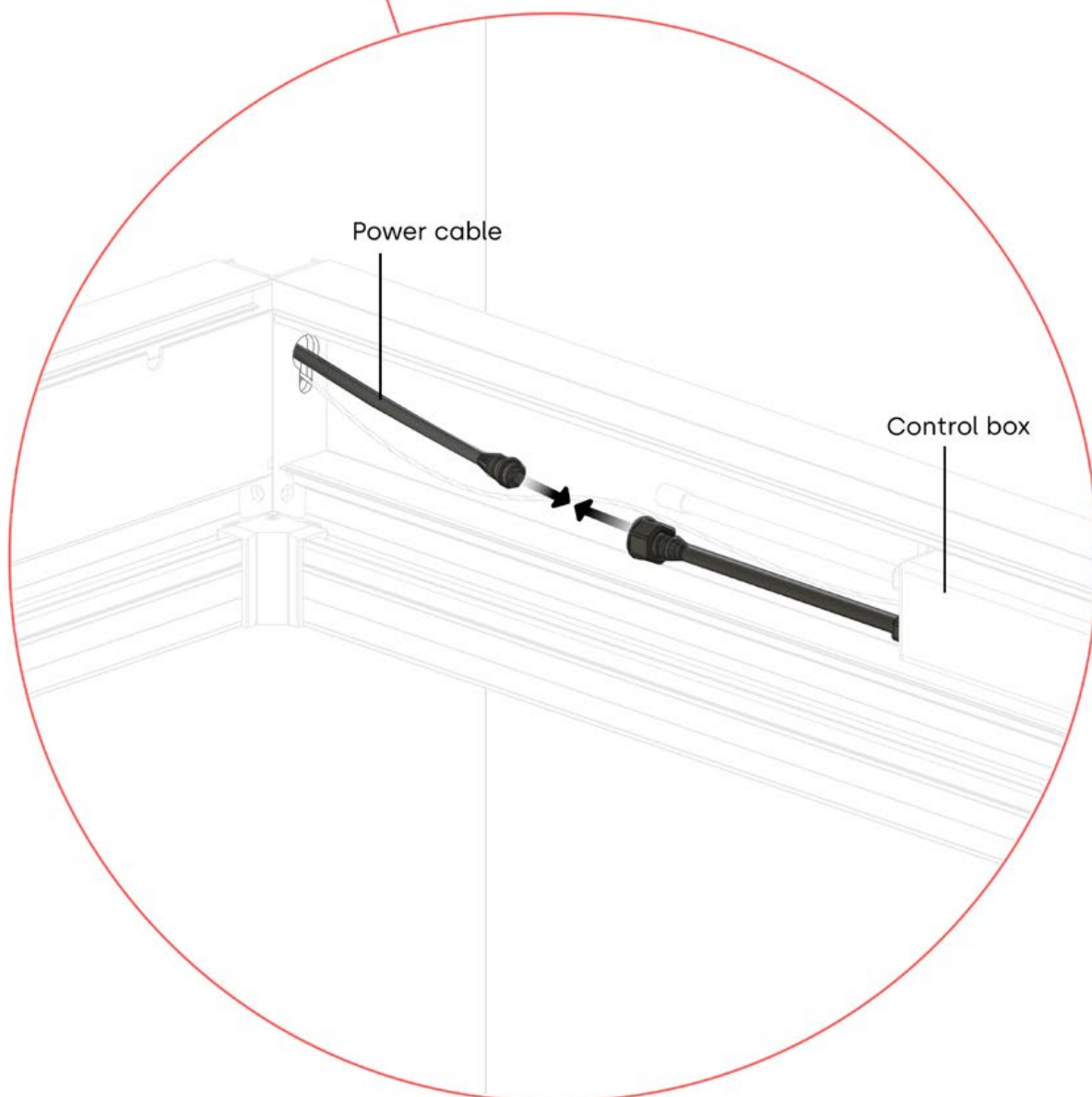
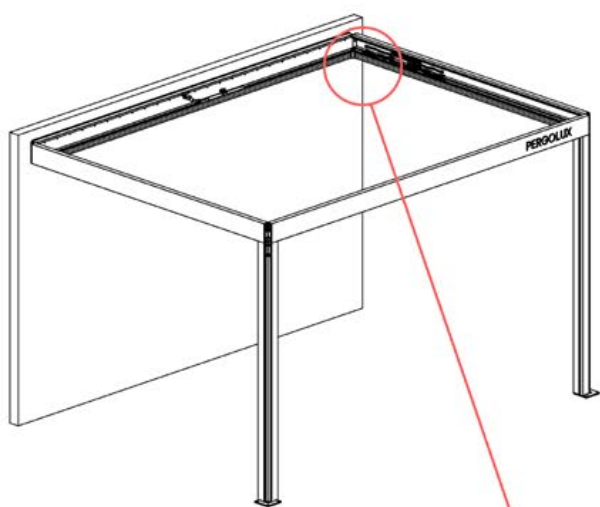
# 34



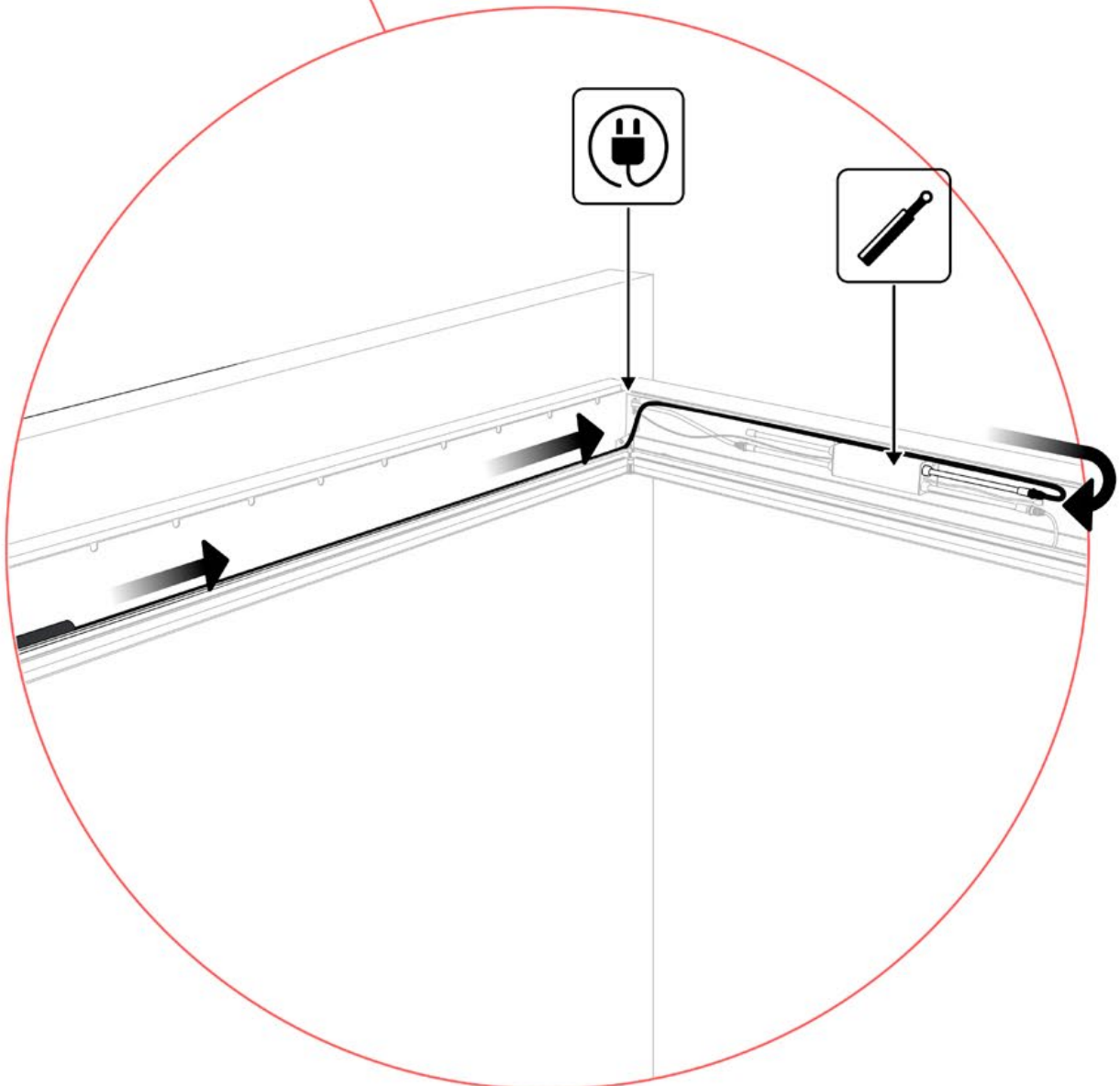
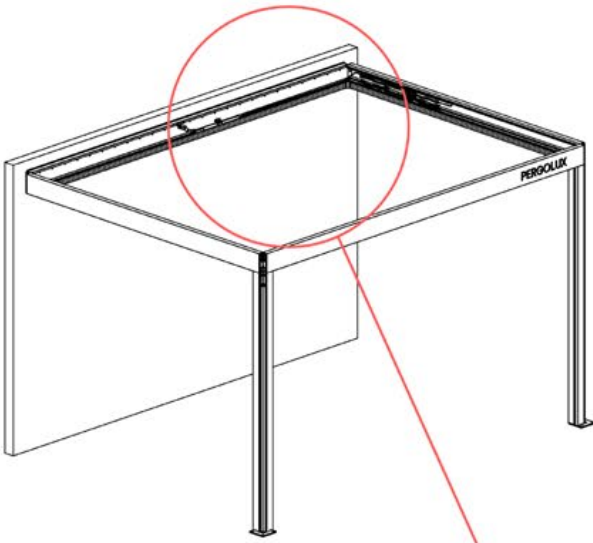
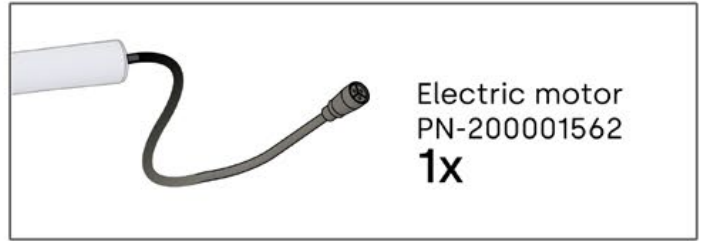
# 35



# 36



# 37

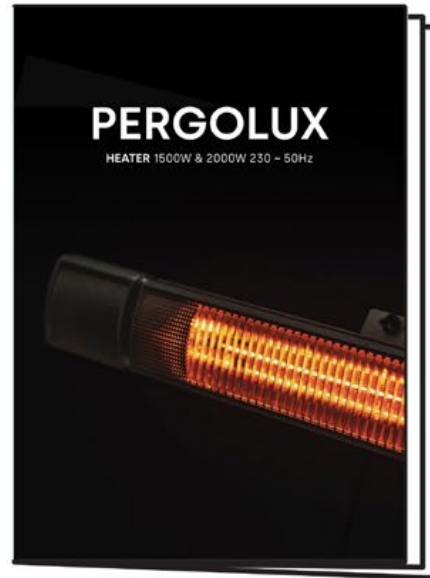


# 38

1

If you are going to install a heater, do it now.

Follow the instructions in the heater assembly manual.



2

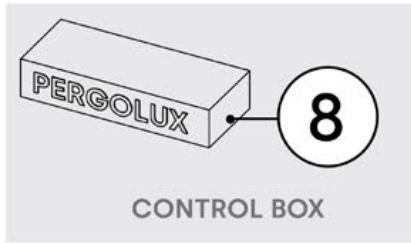
It's time to connect the motor and LED lights to the pergola control box.

Follow the instruction in the assembly manual.

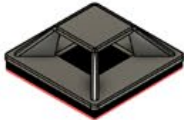





# 39



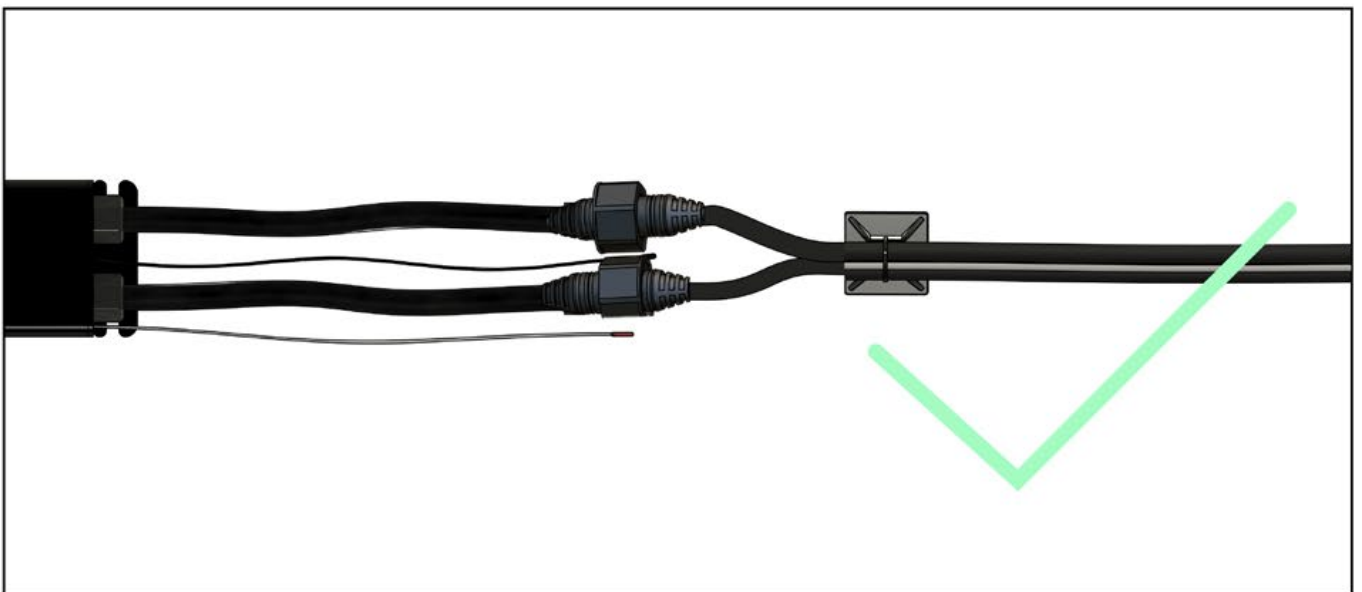
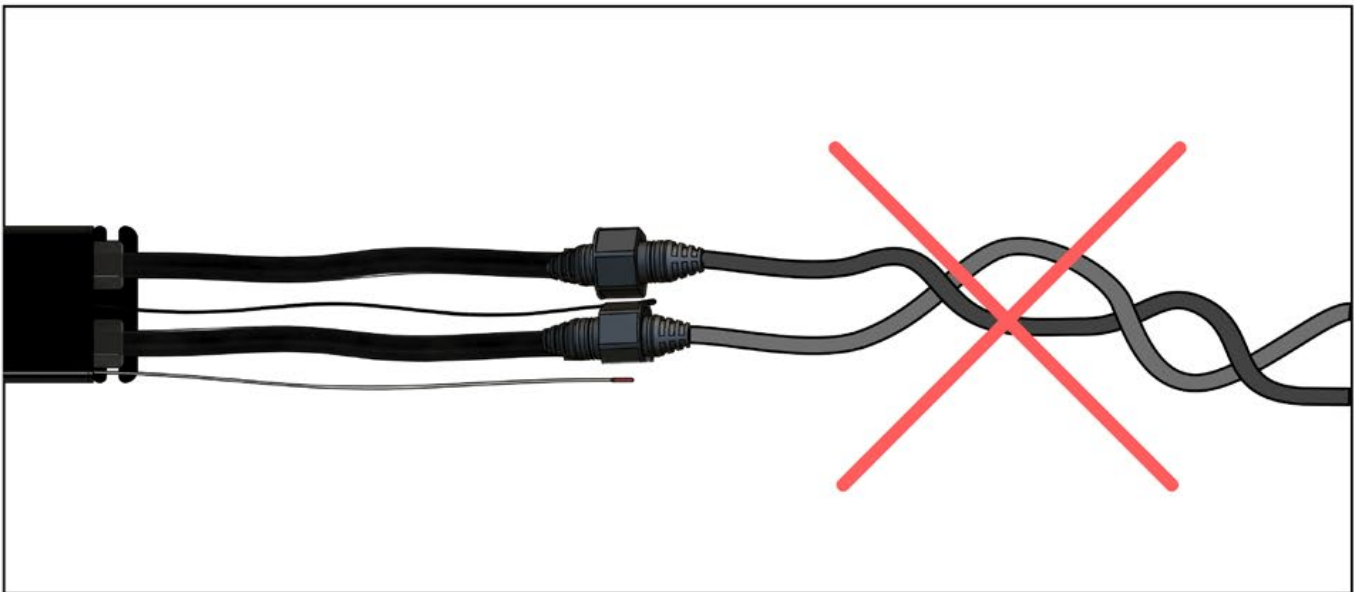
**S3**



PN-200002683  
**5x**



PN-200002684  
**10x**




# 40

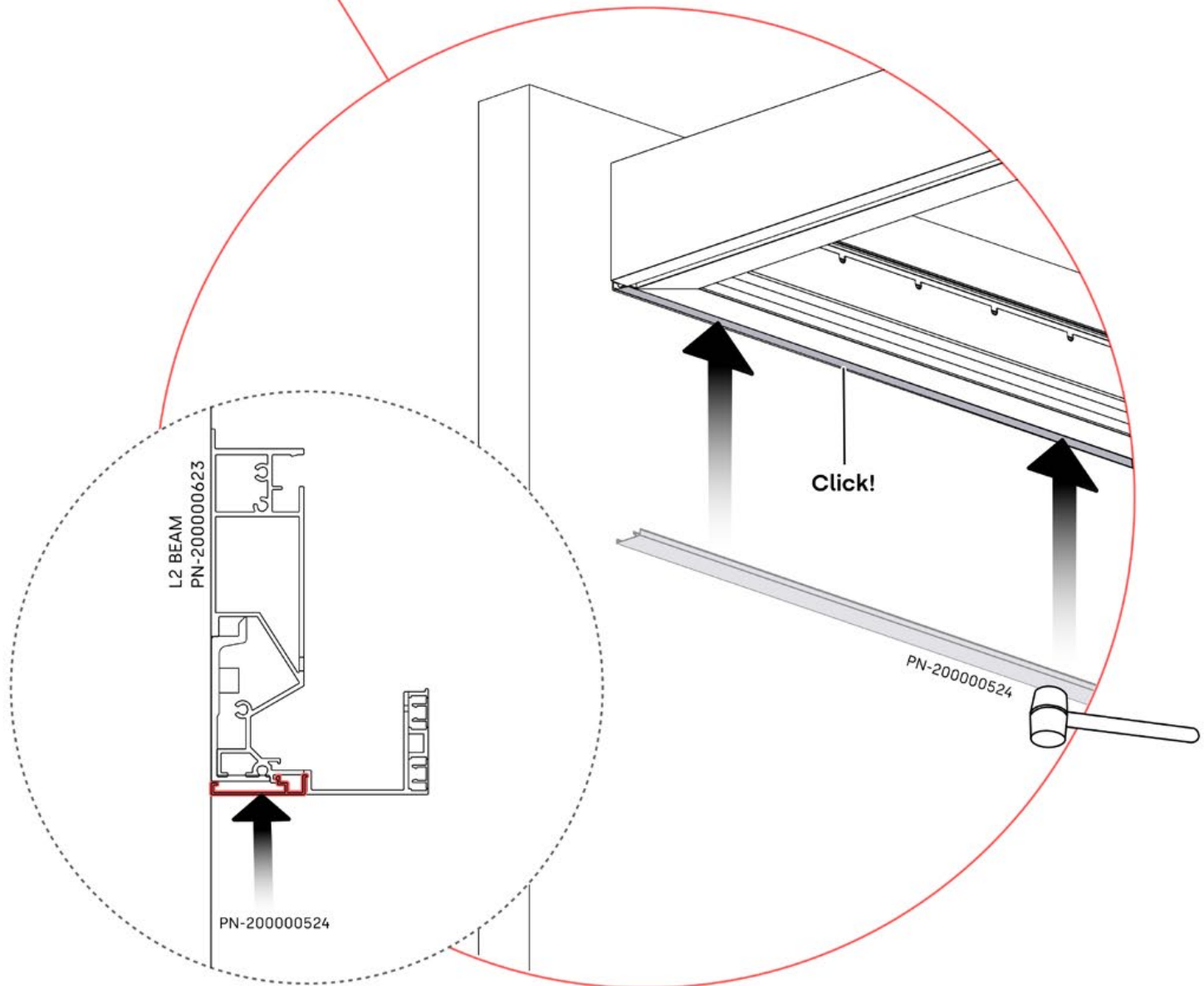
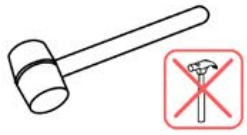

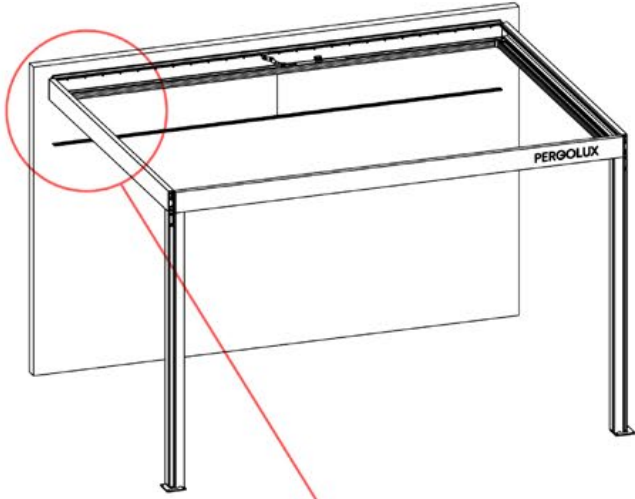
**PERGOLUX** **2**

ANTHRACITE: B157  
WHITE: B158  
BLACK: B159

PN-200000524



**1x**

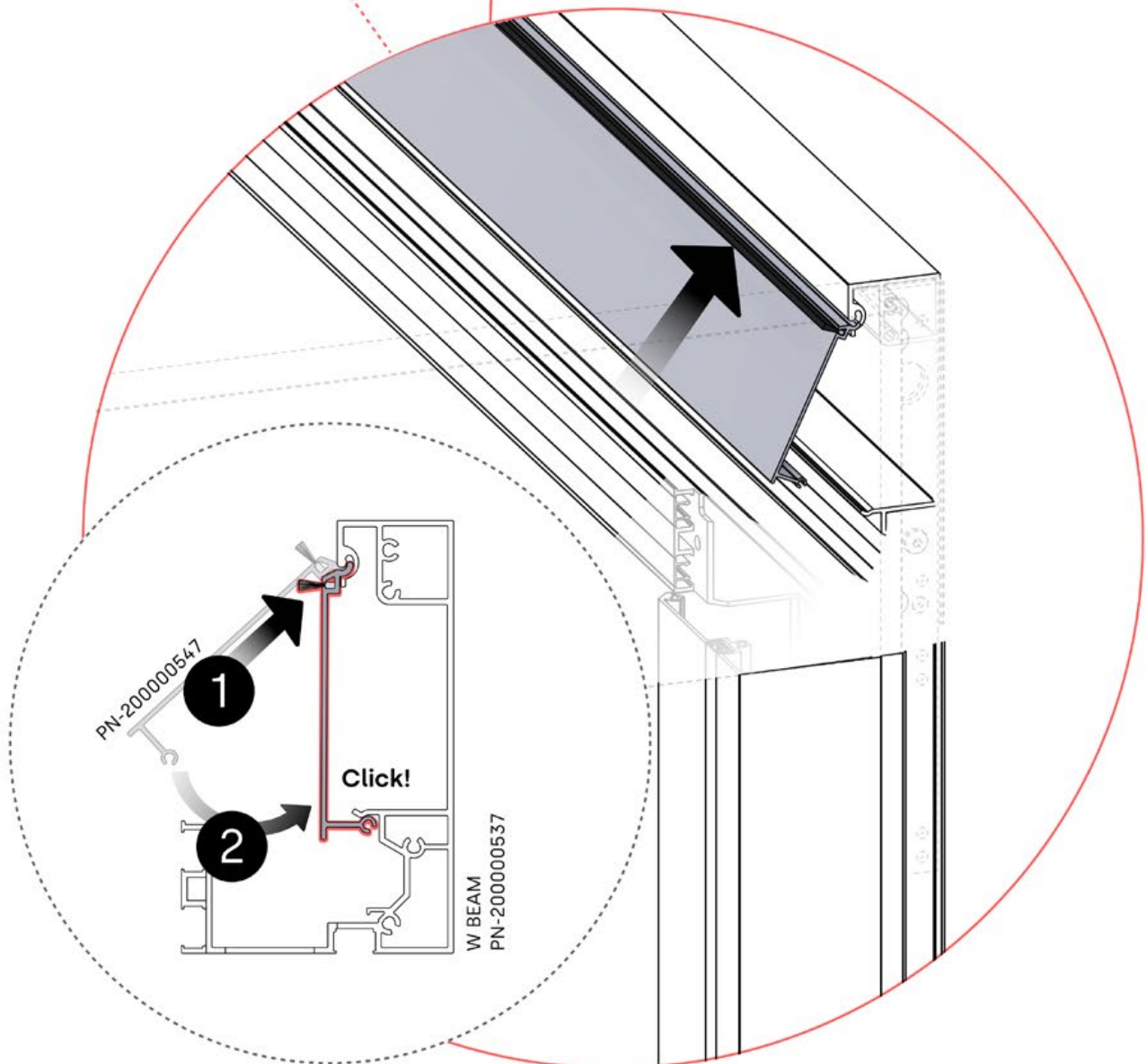
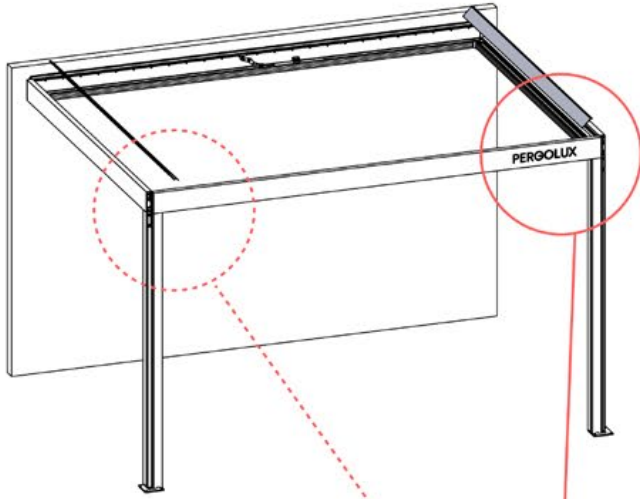
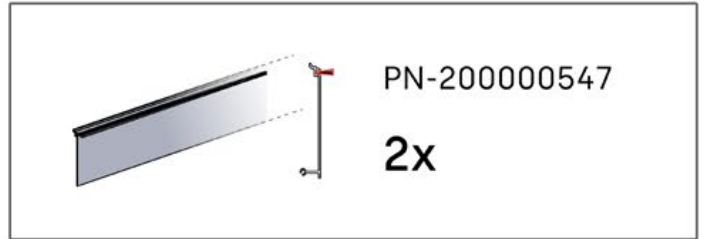


L2 BEAM  
PN-20000623

Click!

PN-200000524

# 41



# 42

**3**

PERGOLUX

ANTHRACITE: B157  
WHITE: B158  
BLACK: B159

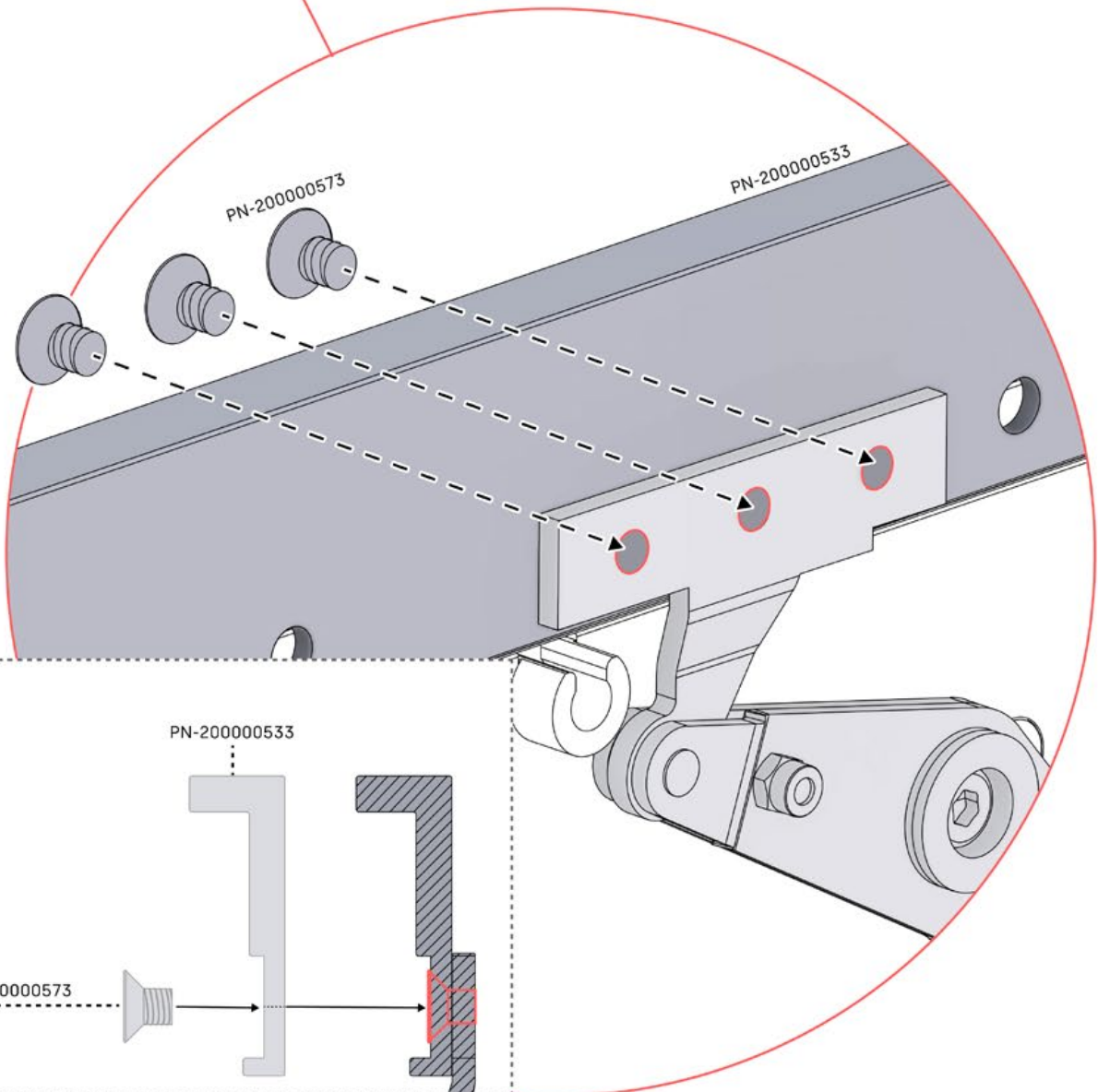
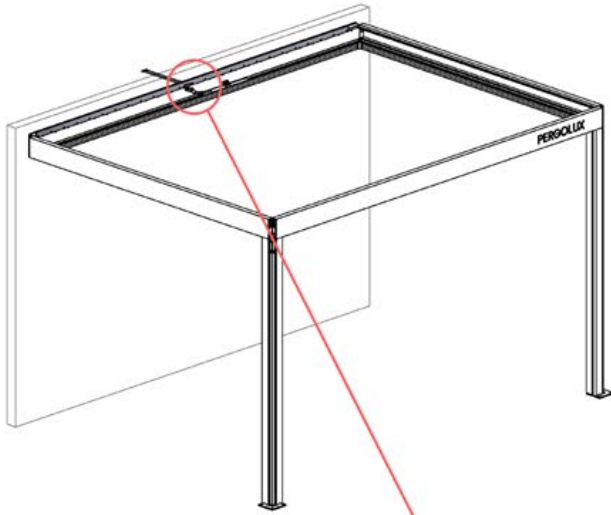
PN-200000533

**1x**

PN-200000573

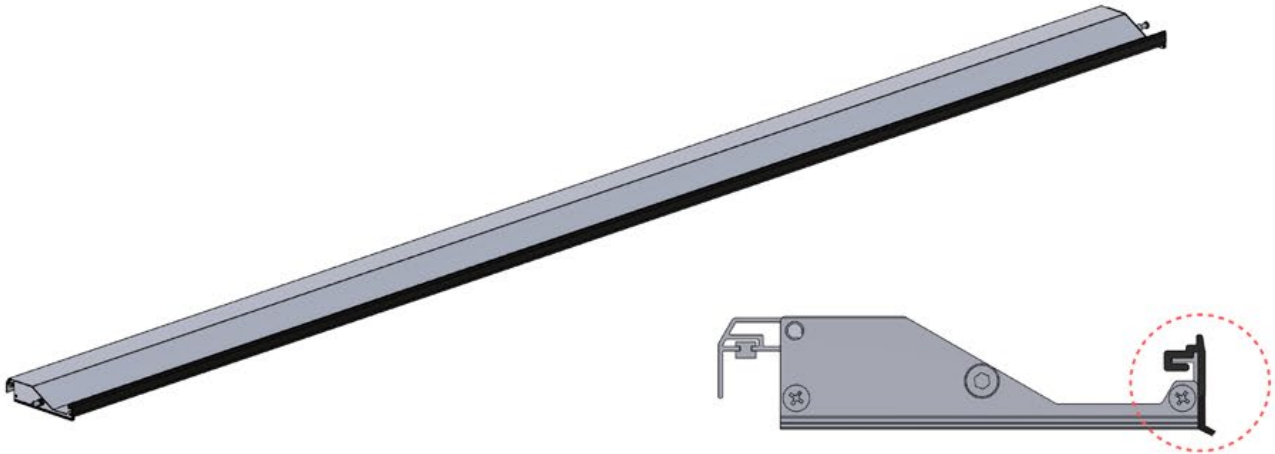
**S 3x**

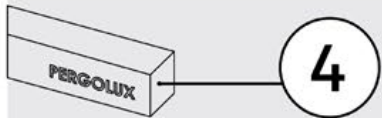
6x8  
1/4" x 5/16"



# SUNDREAM LOUVERS

---

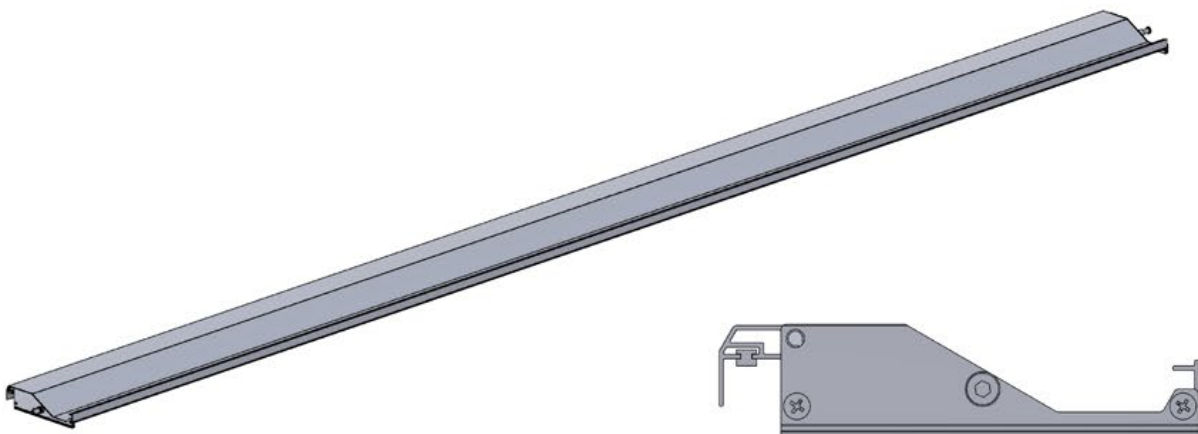


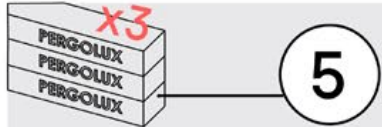
  
ANTHRACITE: L149  
WHITE: L151  
BLACK: L153

SUNDREAM 3M WF END LOUVER  
PN-200000965

**1x**

---



  
ANTHRACITE: L148  
WHITE: L150  
BLACK: L152

SUNDREAM 3M WF LOUVER  
PN-200000551

**24x**

**Standard**

# 43

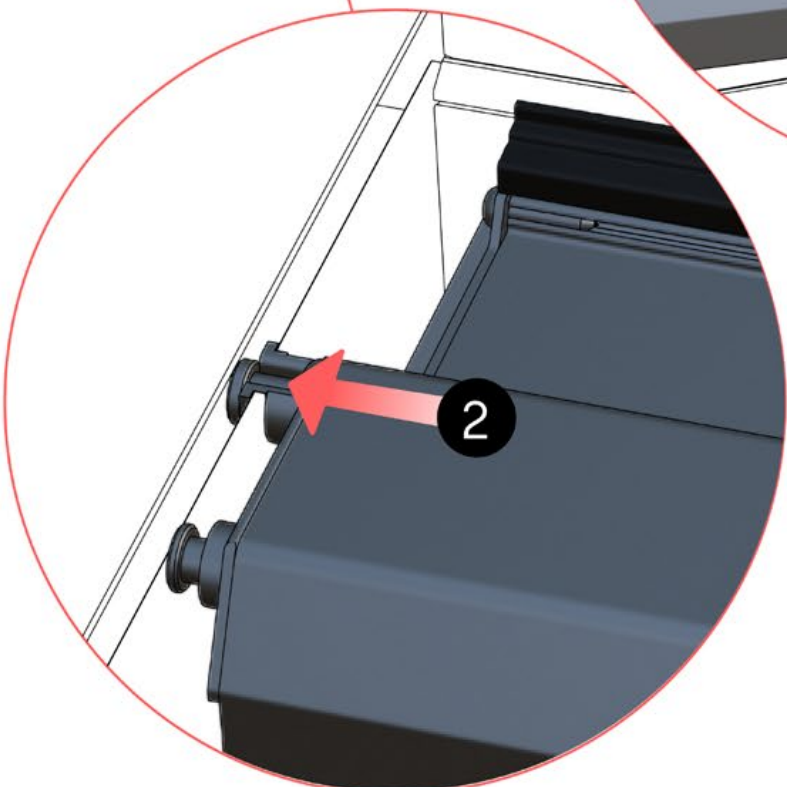
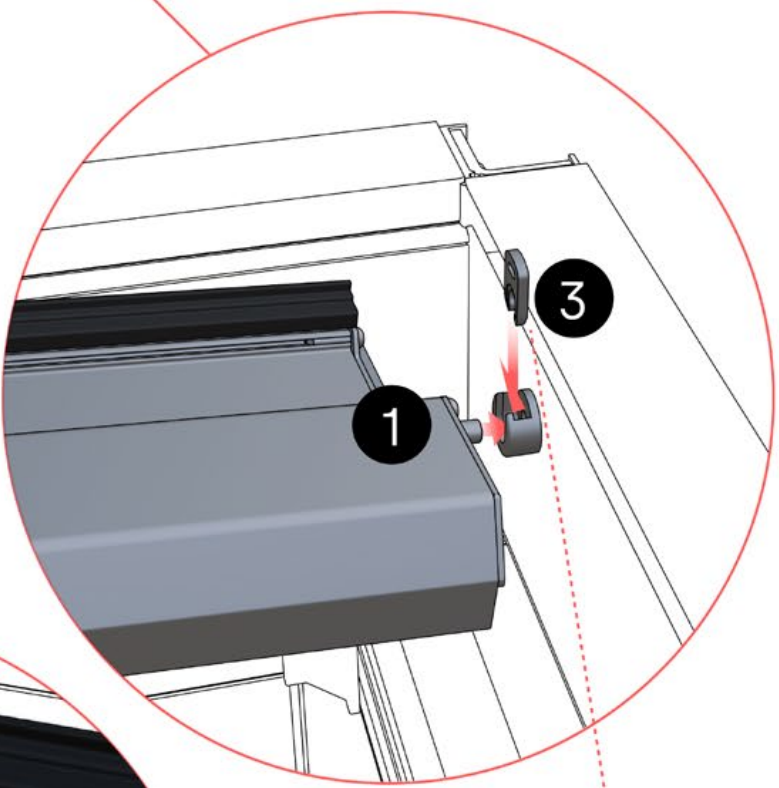
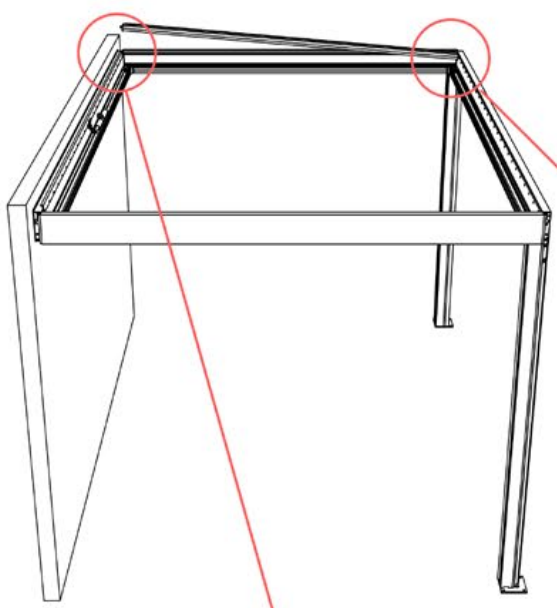

**PERGOLUX**

**4**

ANTHRACITE: L149  
WHITE: L151  
BLACK: L153

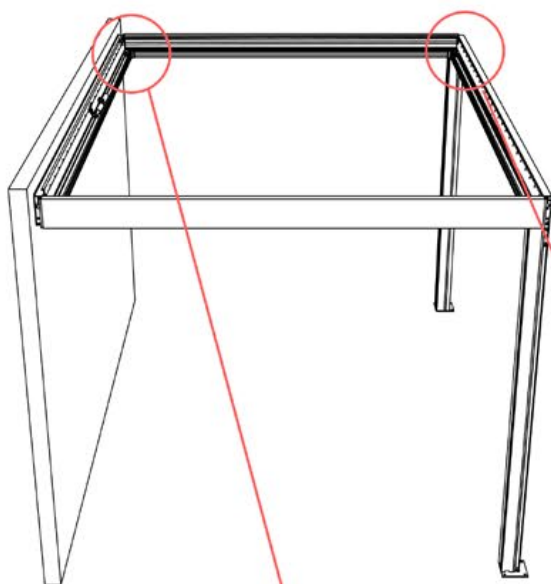
PN-200000965

**1x**

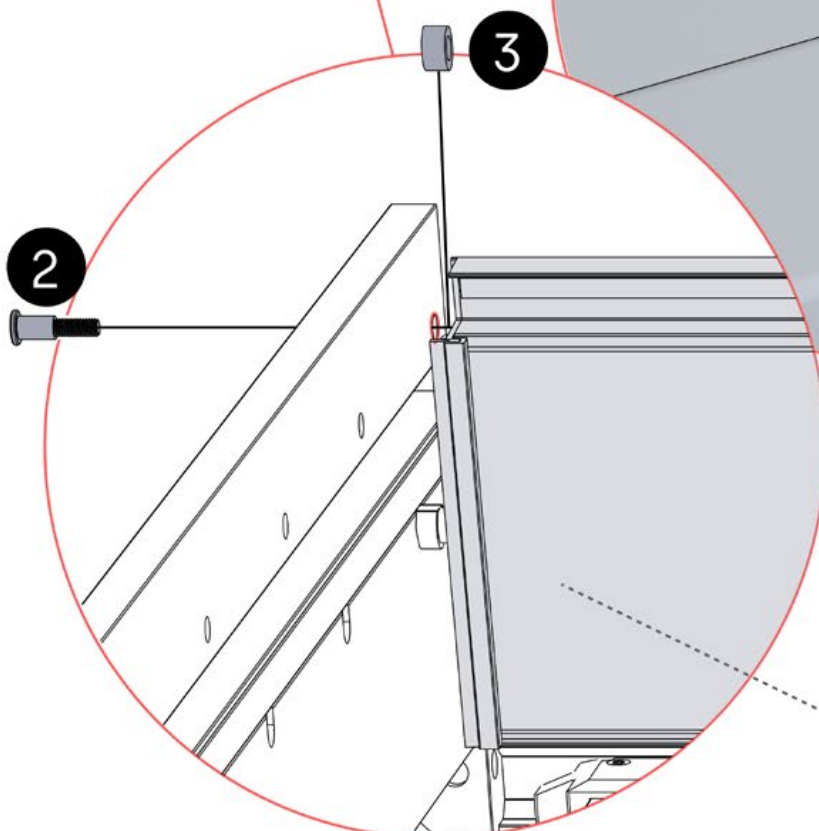
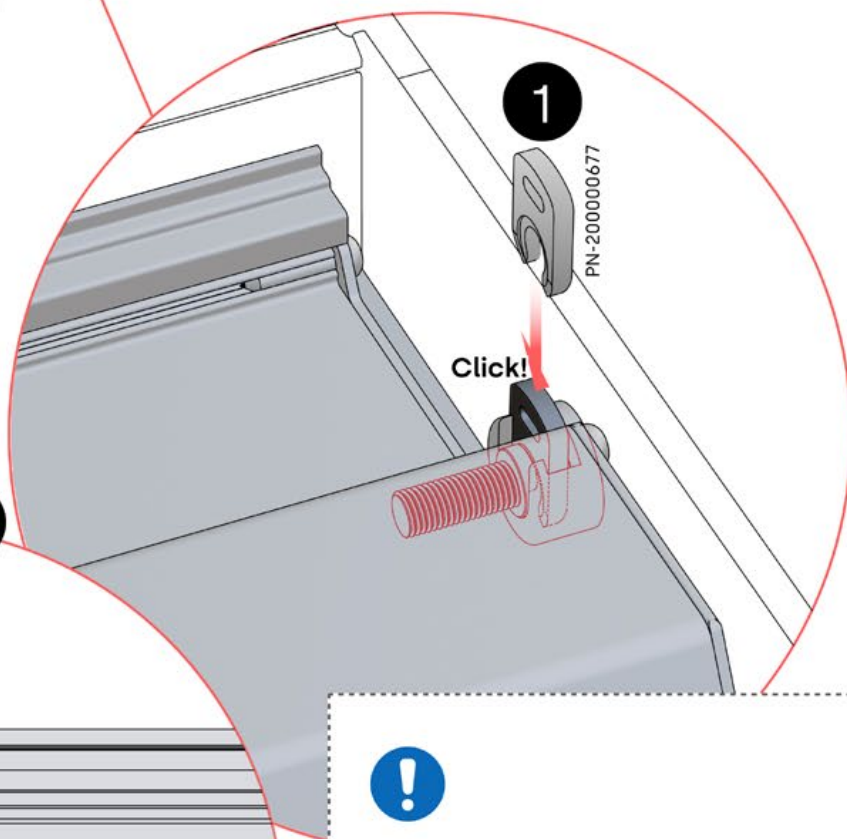


**i** See next page

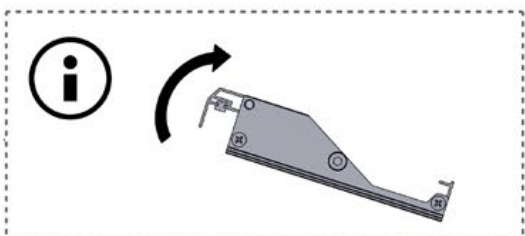
# 44



	PN-20000677 <b>H</b> 1x
	PN-20000532 <b>R</b> 1x
	PN-20000529 <b>R</b> 1x



**!**  
**Important:**  
Place one clip (PN-20000677) immediately after each installment of louver.

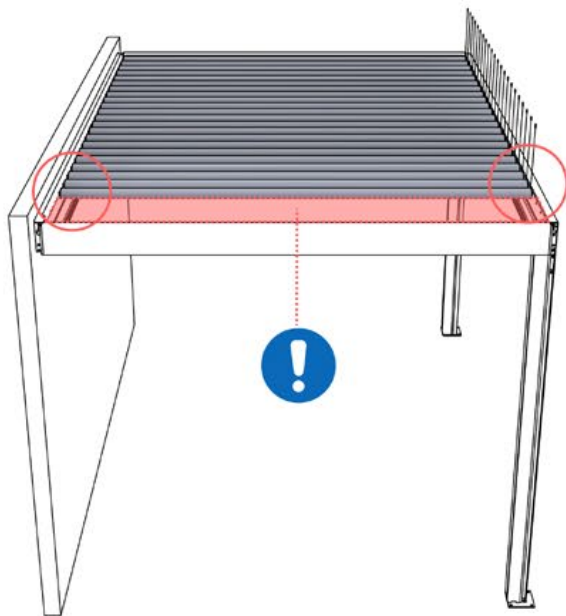


# 45

**x3**  
PERGOLUX  
PERGOLUX  
PERGOLUX

**5**

ANTHRACITE: L148  
WHITE: L150  
BLACK: L152



PN-200000551  
**21x**

PN-200000677  
**H** **21x**

PN-200000532  
**R** **21x**

PN-200000529  
**R** **21x**

Step 43 → Step 44 → 21



**Important:**

Place one clip (PN-200000677), screw (PN-200000532) and spacer (PN-200000529) immediately after each installment of louver.

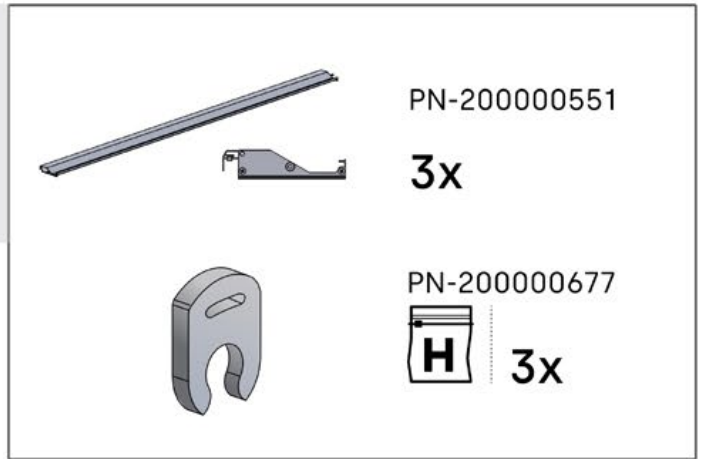


# 46

**x3**  
PERGOLUX  
PERGOLUX  
PERGOLUX

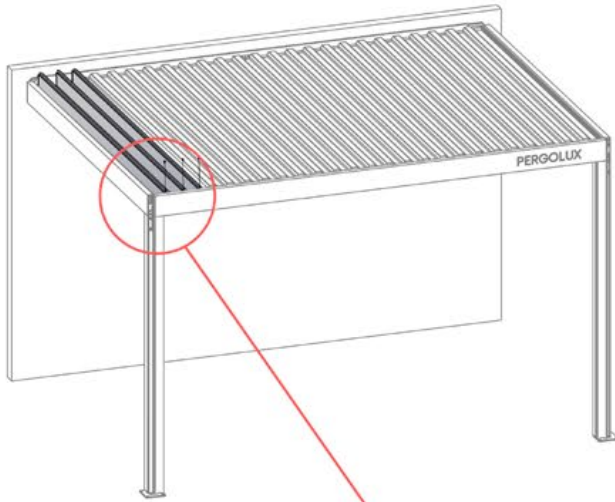
**5**

ANTHRACITE: L148  
WHITE: L150  
BLACK: L152



PN-200000551  
**3x**

PN-200000677  
**H** **3x**

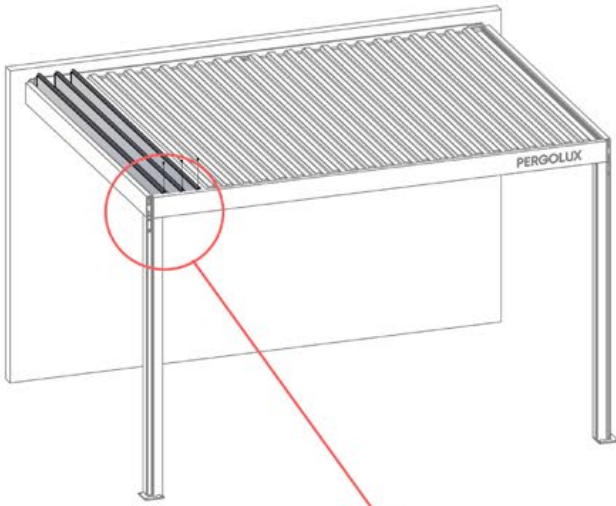


**i**

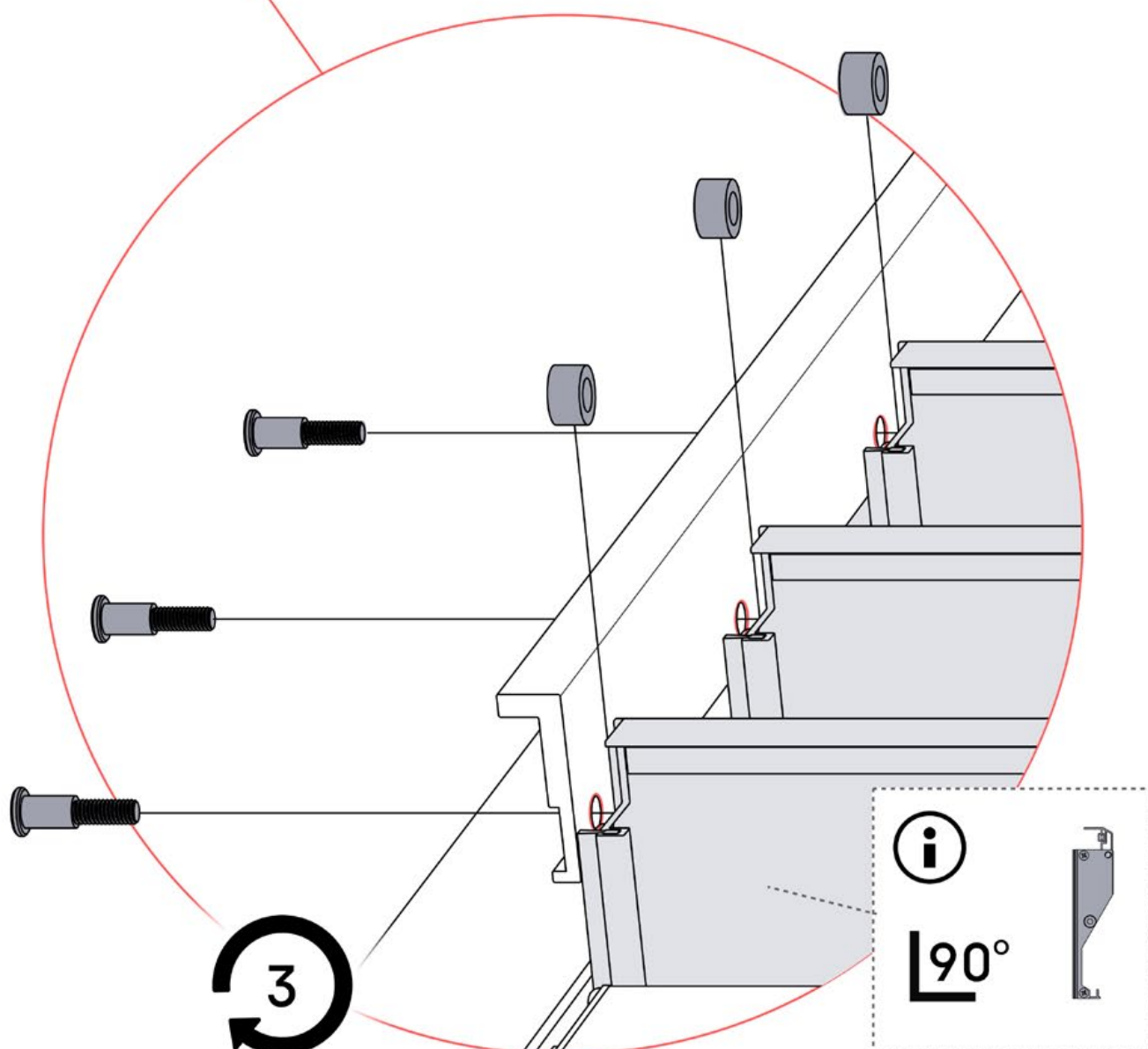
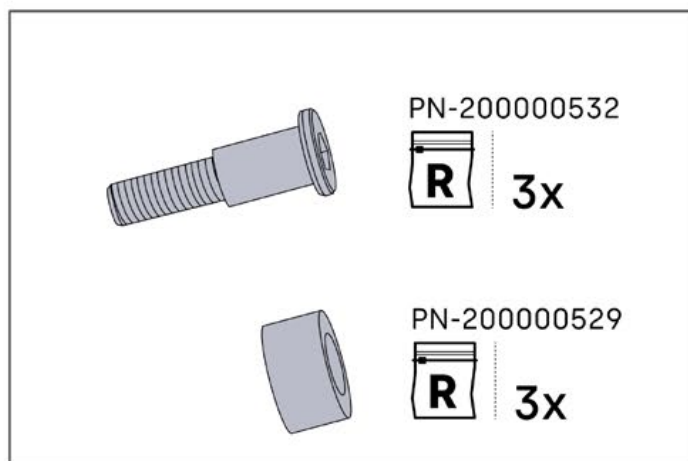
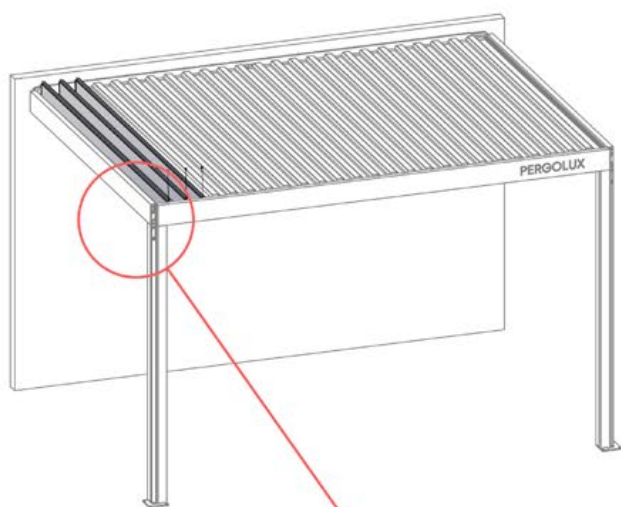
**90°**



# 47



# 48



# 49

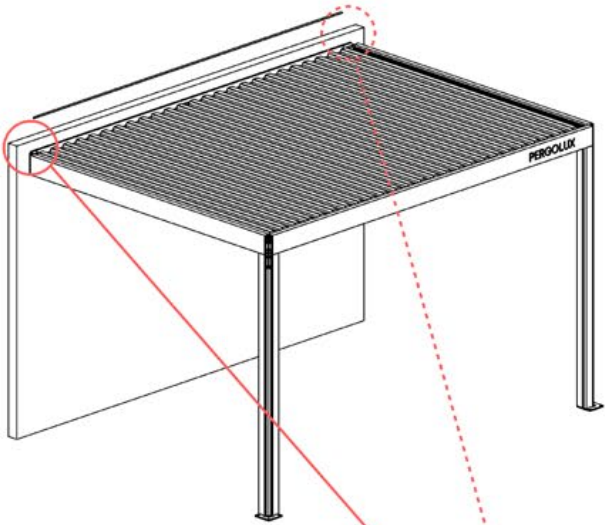
**3**

PERGOLUX

ANTHRACITE: B157  
WHITE: B158  
BLACK: B159

PN-200000558

**2x**



**NB:** You might need to adjust the louvre guide more down to place the louvre lock

Click!

PN-200000558

PN-200000558

2

# 50

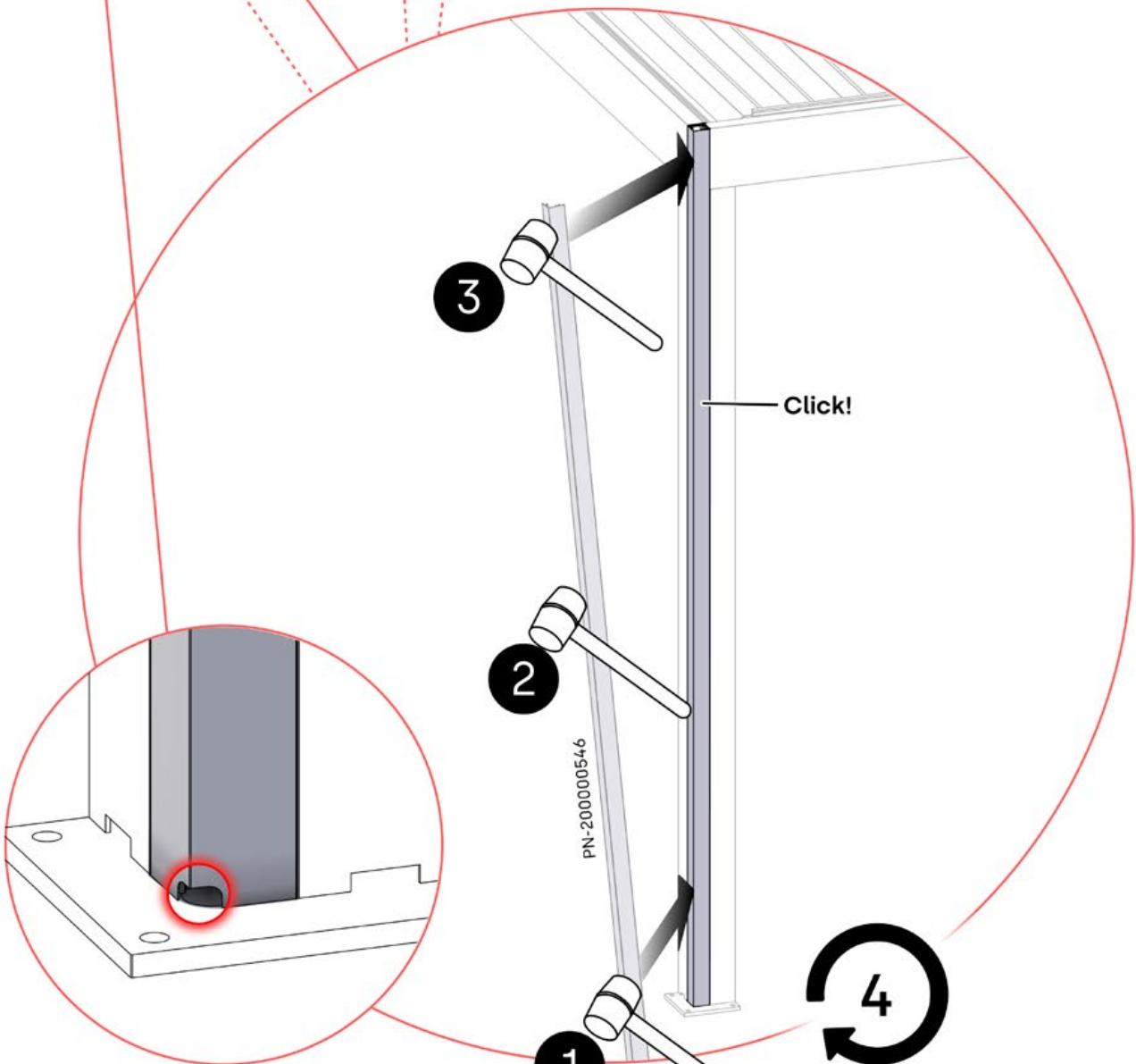
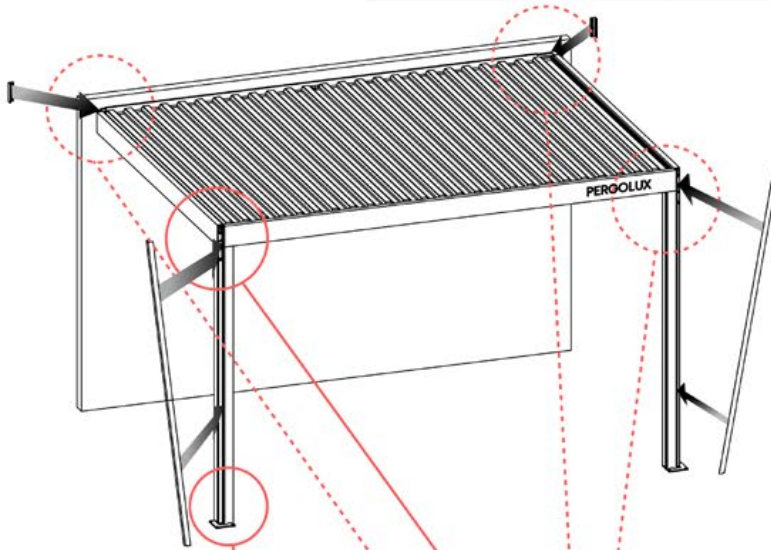
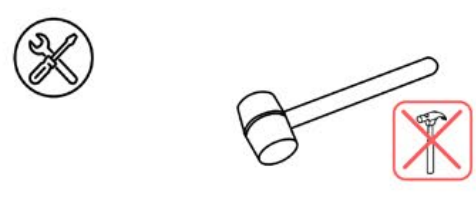
**1**

PERGOLUX

ANTHRACITE: C100  
WHITE: C101  
BLACK: C112

PN-200000546  
**2x**

PN-200000573  
B157  
B158  
B159 **2x**



**3**

**2**

**1**

**4**

Click!

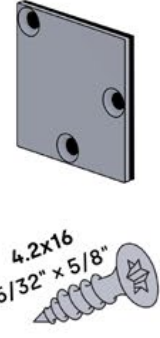
PN-200000546

# 51

**1**

PERGOLUX

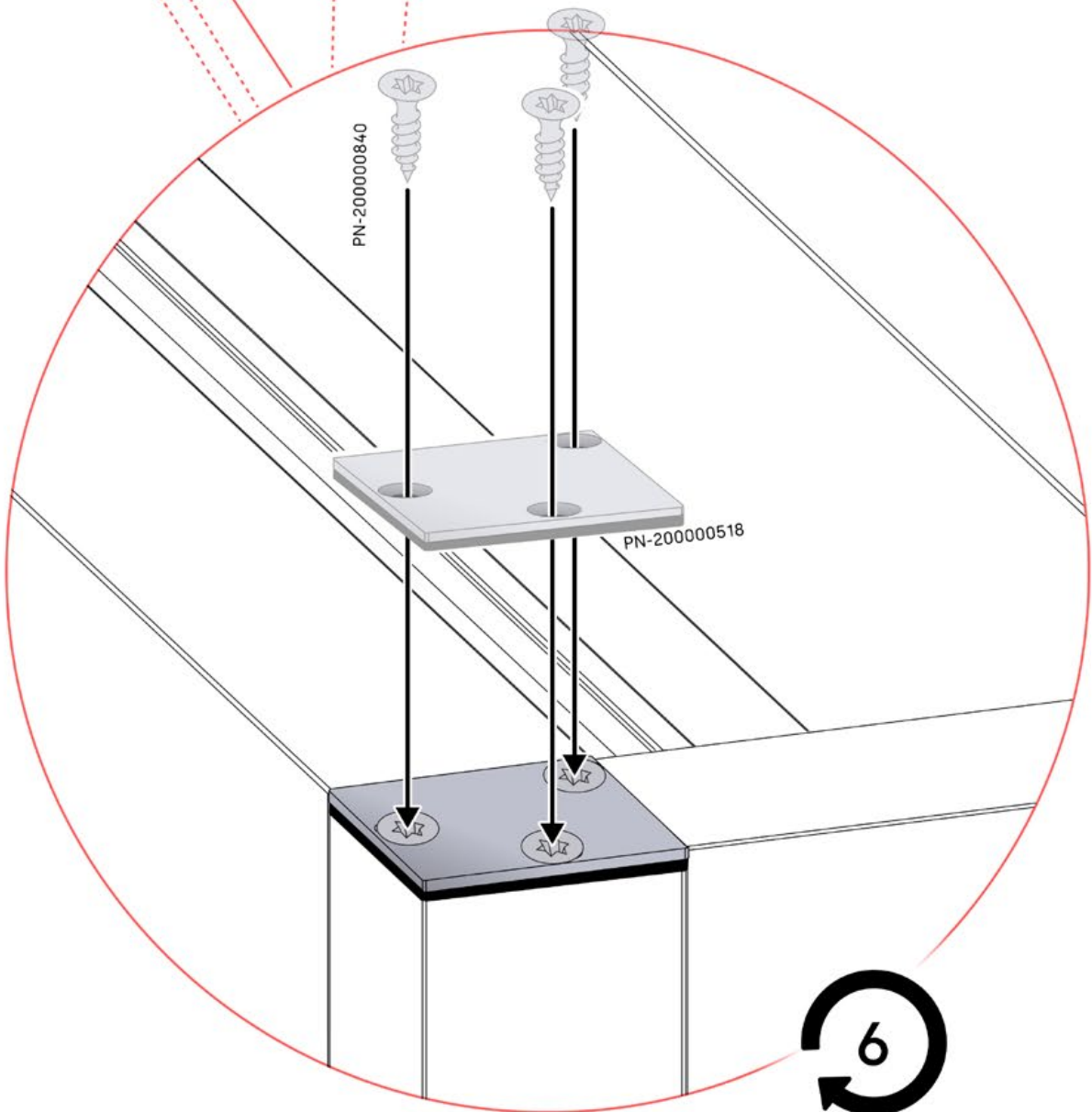
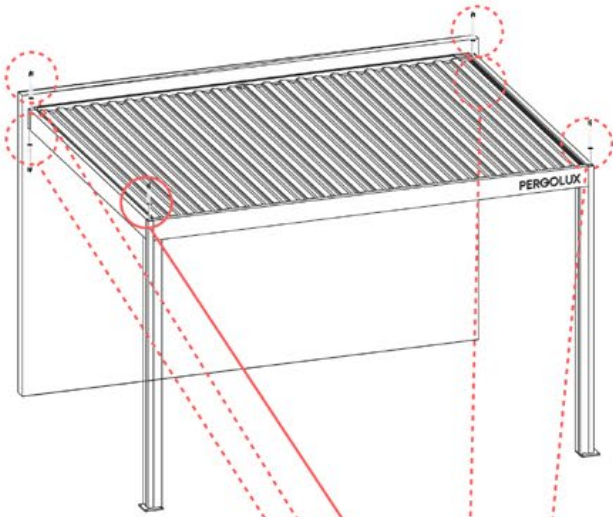
ANTHRACITE: C100  
WHITE: C101  
BLACK: C112



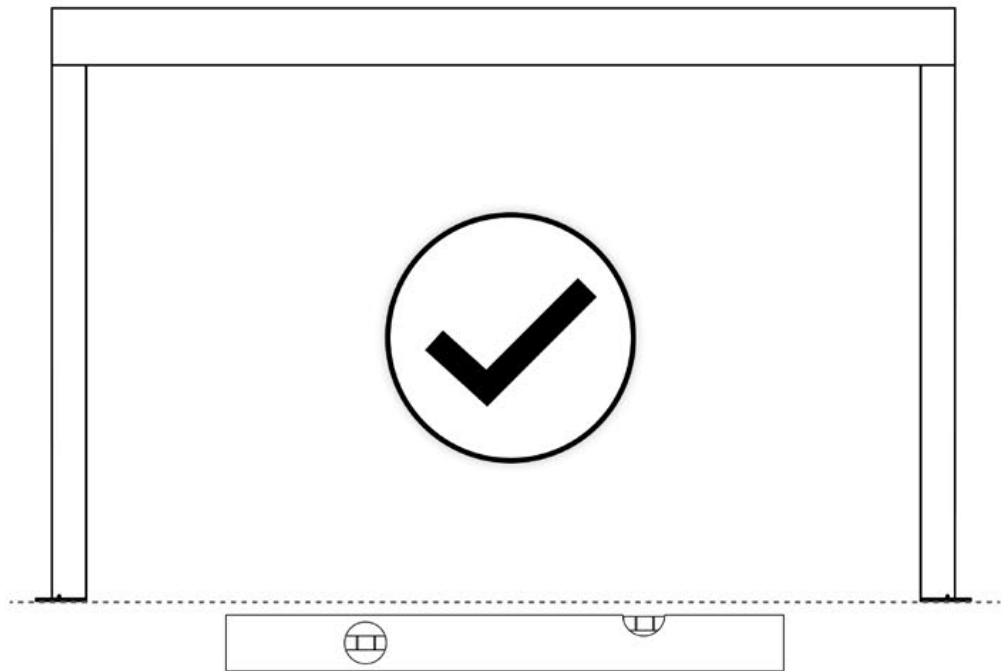
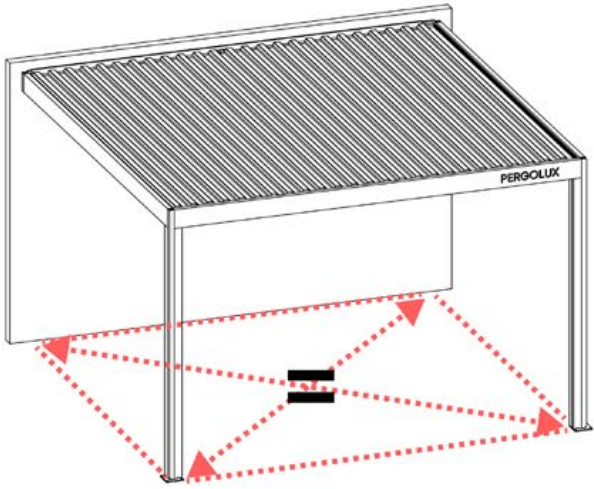
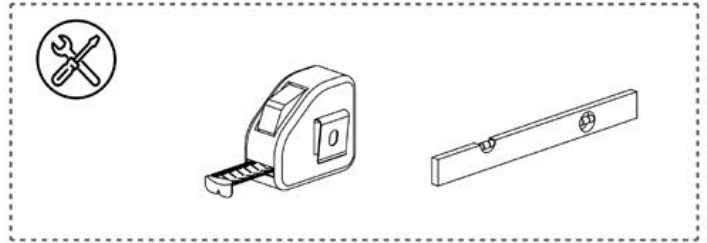
PN-200000518  
**K Y** 6x

PN-200000840  
**K Y** 18x

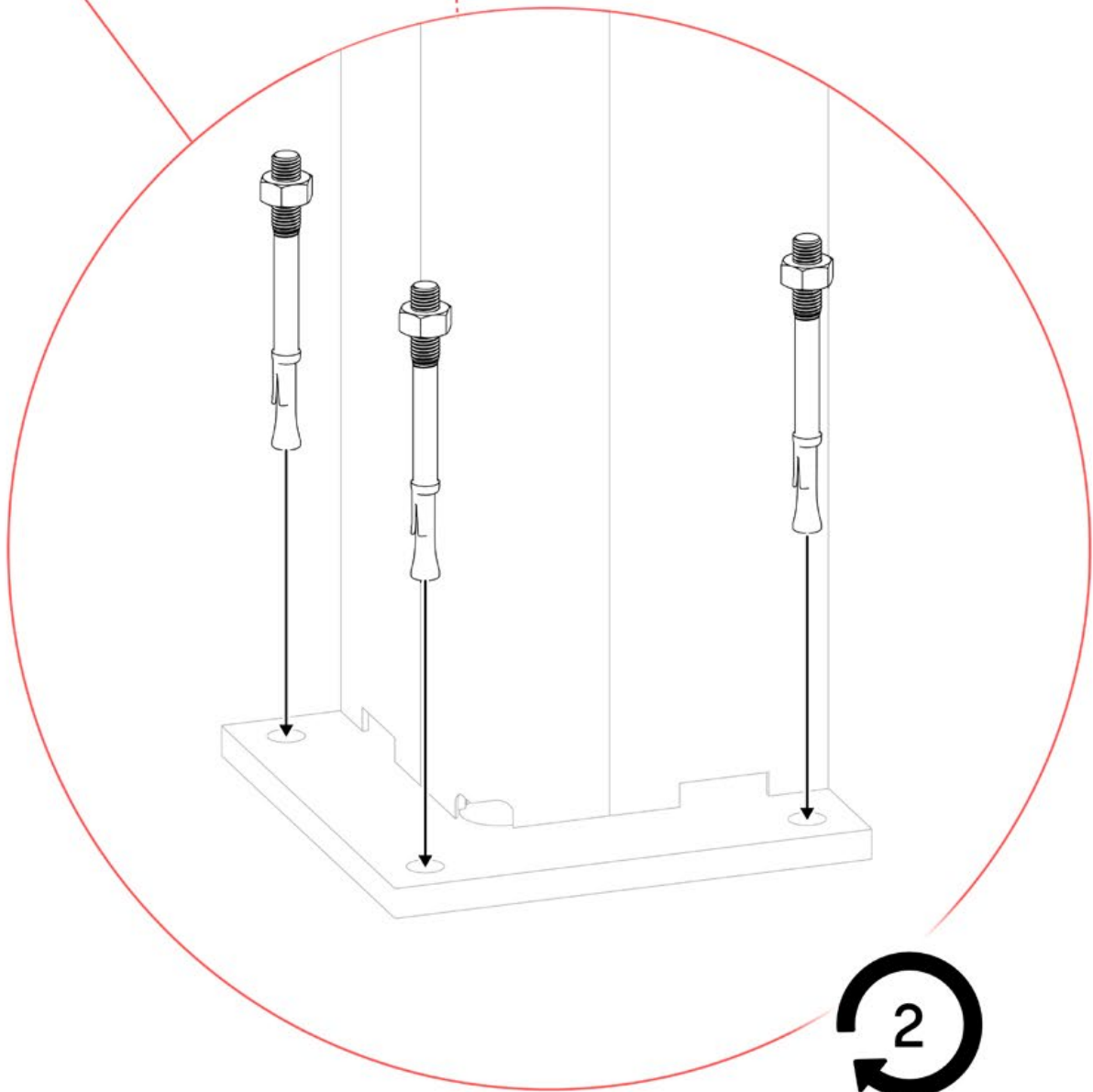
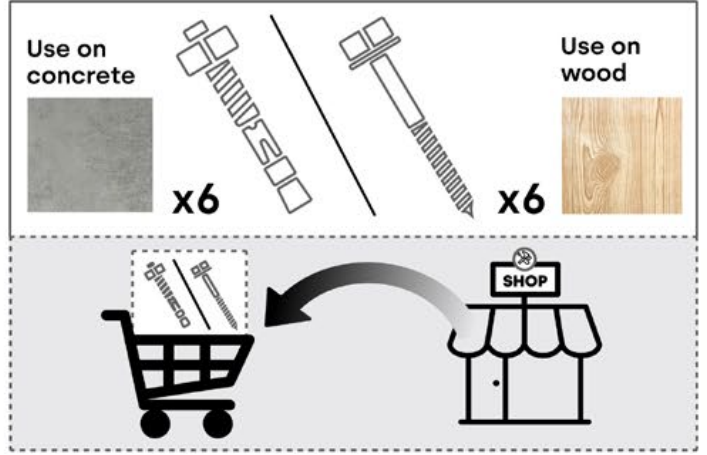
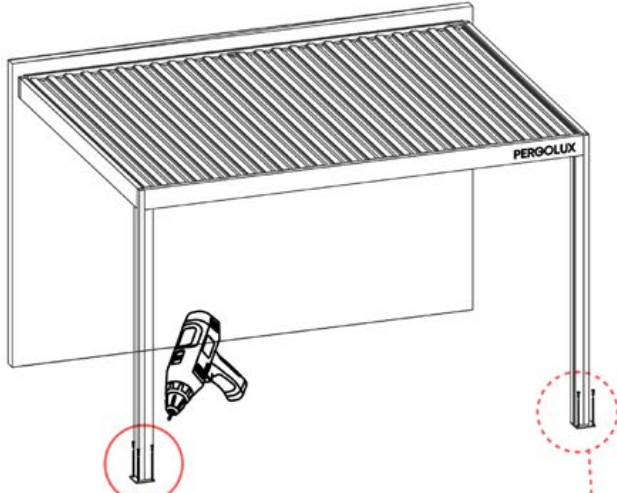
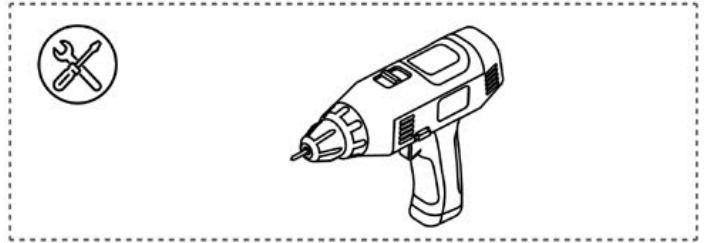
4.2x16  
5/32" x 5/8"



# 52



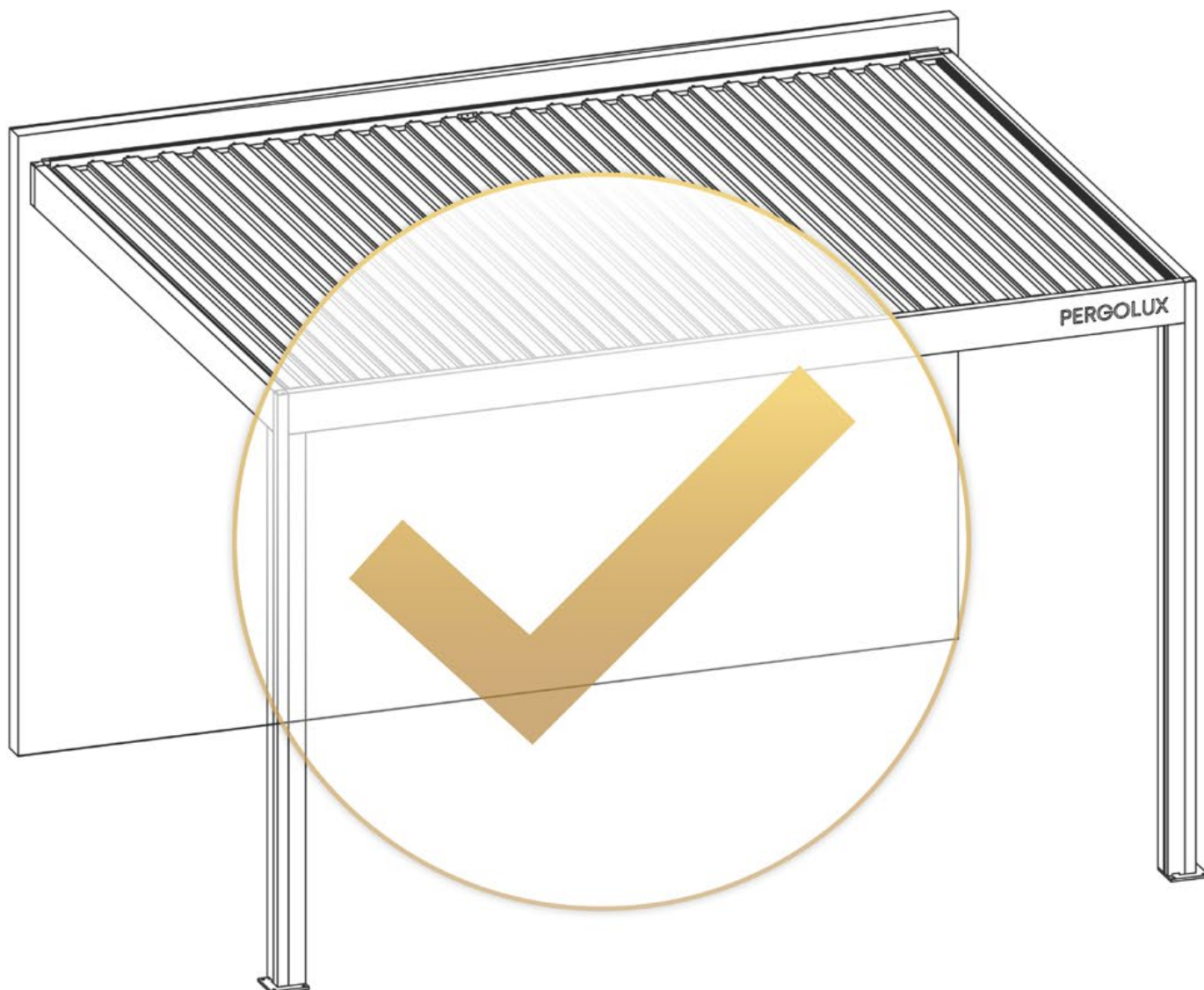
# 53





PERGOLUX | SUNDREAM WALL MOUNTED S2/S3

3 x 4 M / 10' x 13'



Designed and  
developed  
in Norway



Type Approved  
Regular  
Production  
Surveillance

[www.tuv.com](http://www.tuv.com)  
ID 1111293124