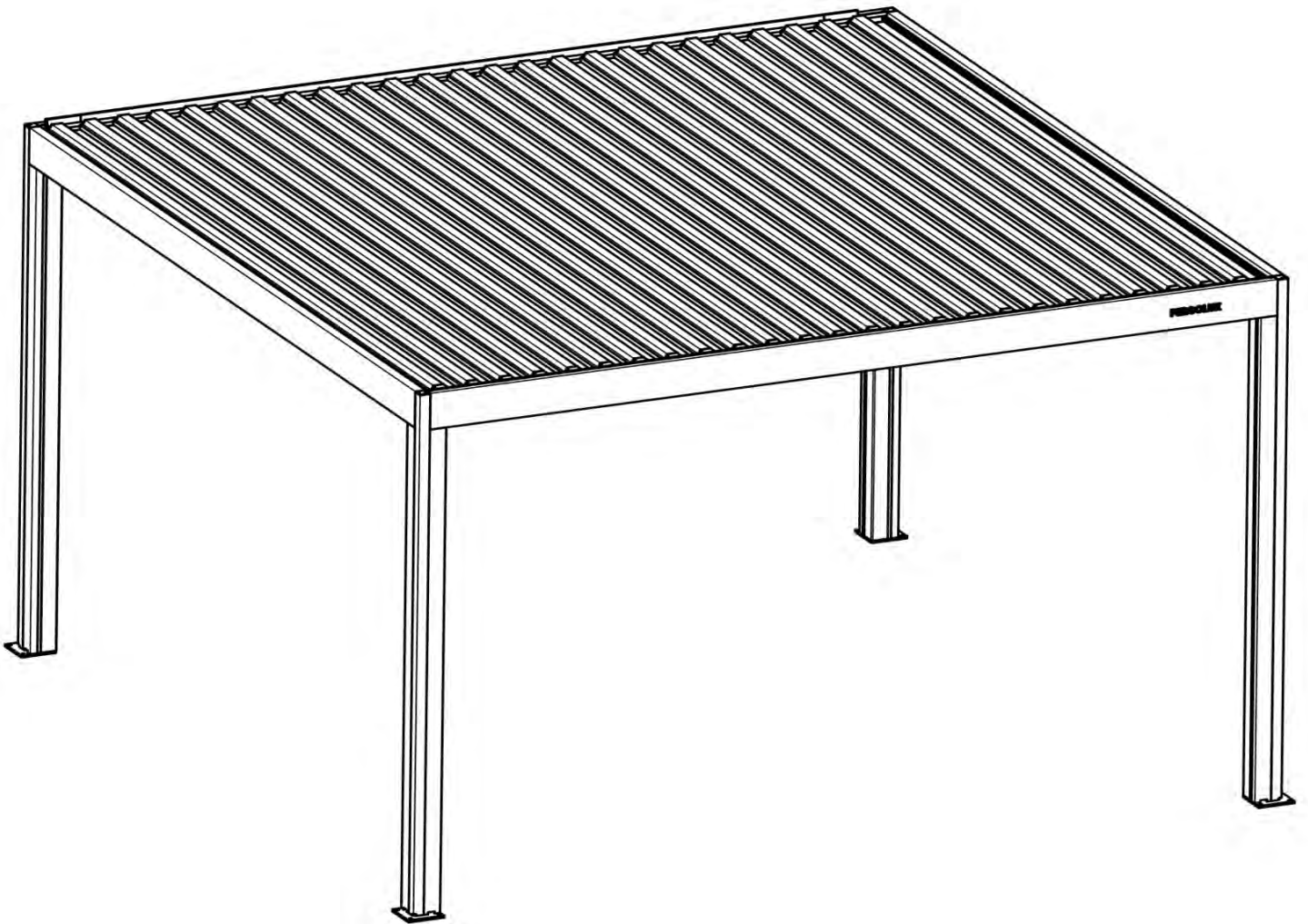


S4

PERGOLA



4 × 5m / 13' x 16'
FREESTANDING

PERGOLUX



INFORMATION



INSTALLATION INSTRUCTIONS:

Ensure all parts are present and undamaged before starting the assembly.

Secure to a solid foundation with the correct fasteners for your foundation.

(If applicable) Install motors and wiring as shown. Ensure the electrical components are powered off during installation.

Use the correct lifting and installation equipment.

SAFETY WARNINGS:

Keep children and pets away during installation.

Do not operate the structure if parts are loose or improperly installed.

Ensure the structure is securely anchored to prevent accidents.

Do not insert fingers or any objects between the louvres.

MAINTENANCE:

Regularly clean the aluminum structure to maintain its appearance and prevent the accumulation of dirt.

Also, make sure to clean the gutters regularly. Inspect moving parts for wear and lubricate as necessary.

Check anchor points periodically to ensure stability.



INSTALLATIONSANLEITUNG:

Stellen Sie sicher, dass alle Teile vorhanden und unbeschädigt sind, bevor Sie mit der Montage beginnen.

Befestigen Sie sie mit den richtigen Befestigungselementen für Ihr Fundament auf einem soliden Fundament.

(Falls zutreffend) Installieren Sie Motoren und Verkabelung wie gezeigt. Stellen Sie sicher, dass die elektrischen Teile während der Installation ausgeschaltet sind.

Verwenden Sie die richtige Hebe- und Installationsausrüstung.

SICHERHEITSHINWEISE:

Halten Sie Kinder und Haustiere während der Installation fern.

Betreiben Sie die Struktur nicht, wenn Teile lose oder nicht richtig installiert sind.

Stellen Sie sicher, dass die Struktur sicher verankert ist, um Unfälle zu vermeiden.

Stecken Sie keine Finger oder andere Gegenstände zwischen die Lamellen.

WARTUNG:

Reinigen Sie die Aluminiumstruktur regelmäßig, um ihr Aussehen zu erhalten und die Ansammlung von Schmutz zu verhindern.

Reinigen Sie auch die Dachrinnen regelmäßig. Überprüfen Sie bewegliche Teile auf Verschleiß und schmieren Sie sie bei Bedarf.

Überprüfen Sie die Ankerpunkte regelmäßig, um die Stabilität sicherzustellen.



Pergolux International GmbH, 9 Goethestraße,
36043 Fulda,
Germany

25

DOP-PER-FSWM-S2S3

EN 13561:2015

Pergolux Pergola S2/S3

External use in buildings and other
construction works

Resistance to wind loads: Class 6 (EN 13561)

SYMBOL EXPLANATION



Indicates the outside of the pergola structure.



This step may require extra force.



Indicates the inside of the pergola structure.



Key information to follow during installation.



Important! Be cautious when assembling or handling this part.



This item must be purchased separately.



Required tools for assembly.



Apply lubricant to make screw assembly easier.



Ensure grounding is connected before powering up.



Do not use a regular hammer, as it may cause damage.



Align slats according to sunlight direction for optimal shading.



AC Input



Repeat this step as many times as the number indicates

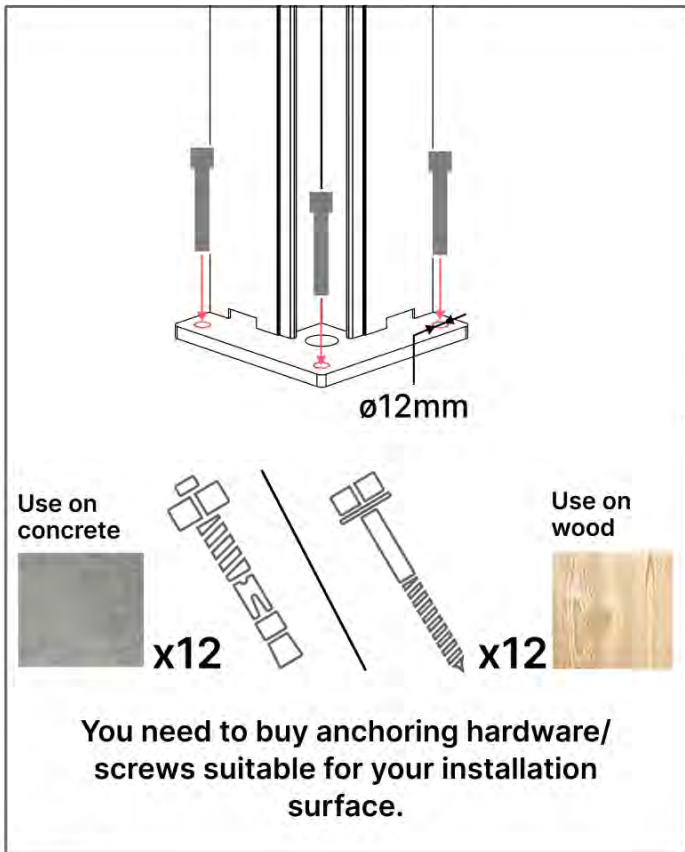


Motor



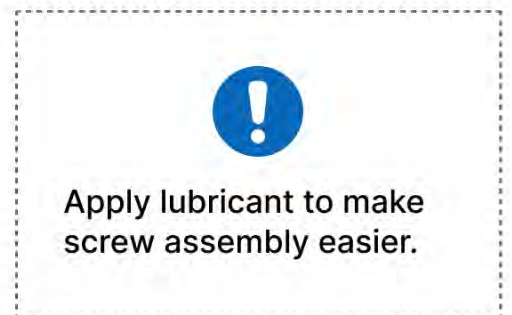
Turn around

INFORMATION

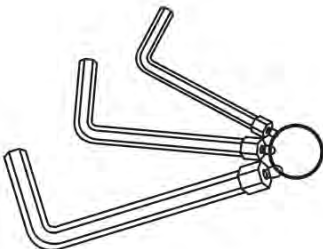
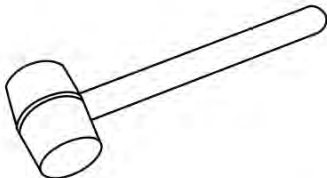


All screws from **PERGOLUX** are made of stainless steel, ensuring durability and resistance to rust. To prevent damage to screws, follow these guidelines:

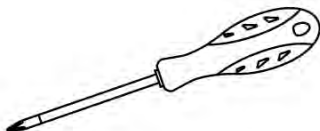
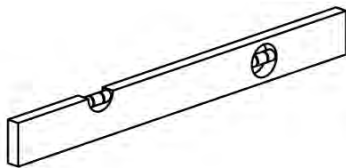
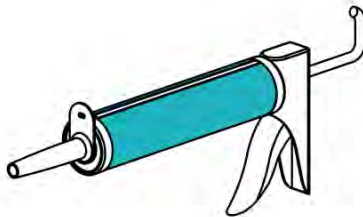
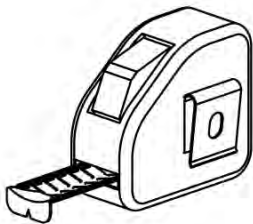
- **DO NOT OVERTIGHTEN:** Apply appropriate force to avoid stripping the threads.
- **CHOOSE THE CORRECT TOOL:** Use the proper screwdriver or bit to avoid damaging the screw head.
- **ENSURE PROPER USE:** With correct installation, screws will maintain their integrity and functionality over time.
- **USE LUBRICATION:** Apply lubricant to make screw assembly easier.



TOOLS



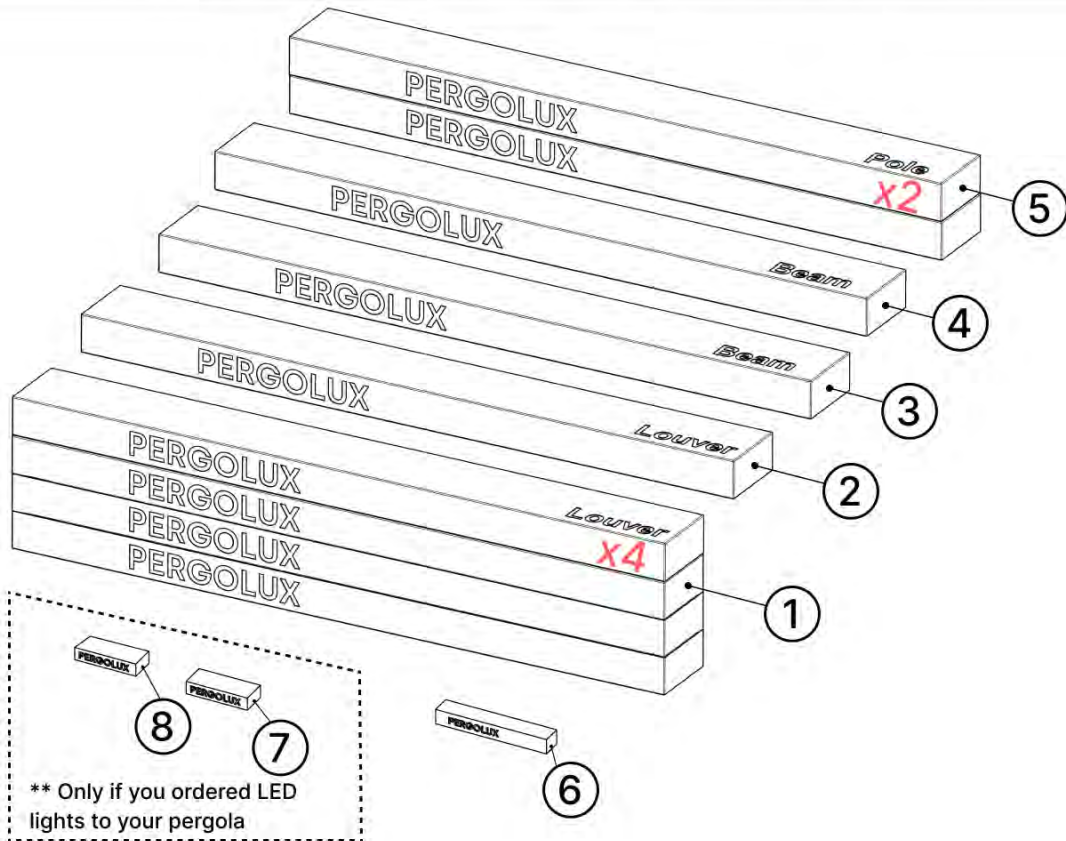
3mm, 4mm, 5mm



TX15, TX20, TX25, TX30



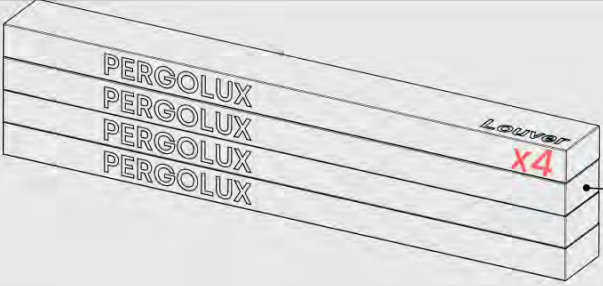
PACKAGE OVERVIEW



ORDER	ANTHRACITE	WHITE	BLACK
①	L192	L196	L194
②	L204	L208	L206
③	B209	B213	B211
④	B280	B195	B192
⑤	C120	C122	C121
⑥	MANUAL MOTOR	MANUAL MOTOR	MANUAL MOTOR

** Only if you ordered LED lights to your pergola	
⑦	CONTROL BOX
⑧	POWER CABLE



ITEMS IN BOX




PERGOLUX
PERGOLUX
PERGOLUX
PERGOLUX

Louver
X4

	ANTHRACITE	WHITE	BLACK
1	L192	L196	L194


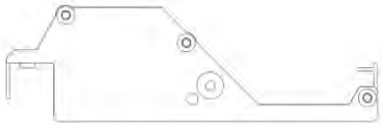
PN-200003004
24x




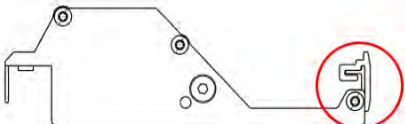
PERGOLUX

Louver

	ANTHRACITE	WHITE	BLACK
2	L204	L208	L206





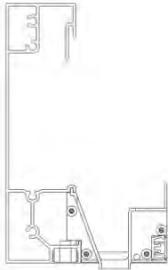
PN-200003004
6x

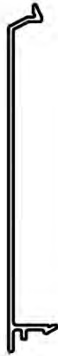
PN-200003003
1x

ITEMS IN BOX

		ANTHRACITE	WHITE	BLACK
	3	B209	B213	B211

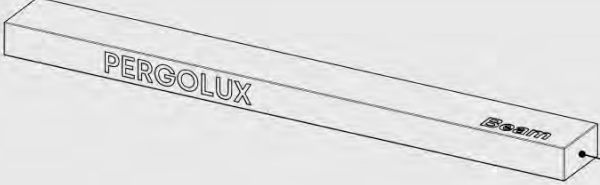


PN-200002999
2x



Premounted
PN-200003001
2x

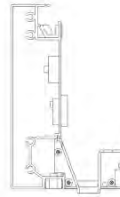
ITEMS IN BOX

	ANTHRACITE	WHITE	BLACK
	4	B280	B195



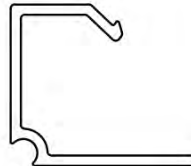
PN-200002993

1x



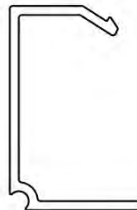
PN-200002995

1x



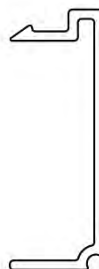
Premounted
PN-200002974

1x



Premounted
PN-200002861

1x



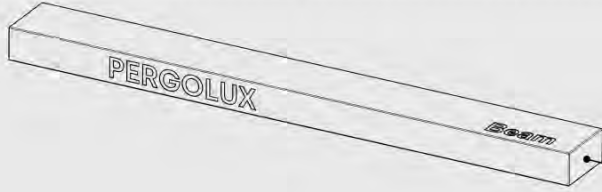
Premounted
PN-200002972

1x

ITEMS IN BOX



Note: If accessory bags lack part number stickers, refer to the manual for identification.



4

ANTHRACITE WHITE BLACK

B280

B195

B192



PN-200002973

1x



PN-20000
3280

5.5x60
7/32" x 2-3/8"



PN-200000560
20x



PN-20000
3320



PN-200000826
2x



PN-20000
3310



PN-200002709
4x



PN-20000
3282



PN-200001514
4x



5.5 x 70

PN-200000958
4x



4.2x16
5/32" x 5/8"

PN-200000840
12x



PN-20000
3278



PN-200003031
1x



150mm

PN-200003033
2x



PN-200003030
1x



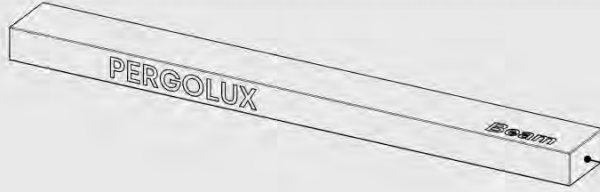
4.2x12

PN-200001207
2x

ITEMS IN BOX



Note: If accessory bags lack part number stickers, refer to the manual for identification.



4

ANTHRACITE WHITE BLACK

B280

B195

B192



PN-20000
3319



PN-200003370
1x



PN-200003367
1x



PN-200003368
2x



PN-200000853
2x



PN-200000502
1x



PN-200000561
1x



PN-200000511
2x



PN-200003317
1x



PN-200003318
2x



PN-20000
3342



PN-200002706
8x



PN-20000
3279



PN-200000568
32x



PN-20000
3281



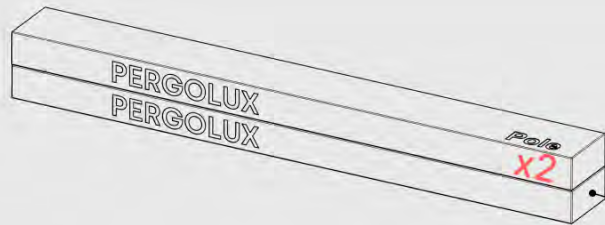
PN-200002622
4x

PN-200000680
8x



PN-200003209
1x

ITEMS IN BOX



ANTHRACITE WHITE BLACK

5

C120

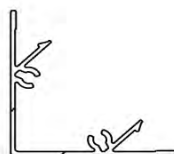
C122

C121



PN-200002606

4x



PN-200003386

4x



PN-200002614

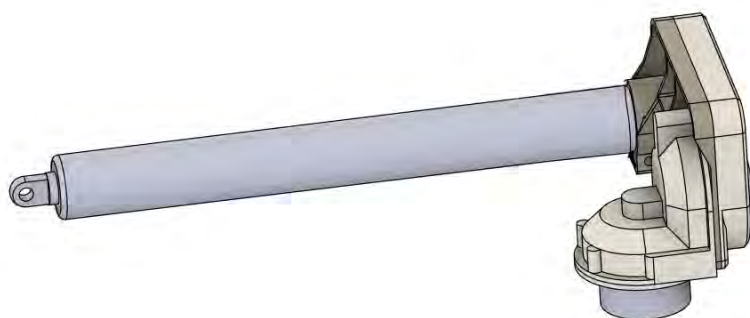
4x

ITEMS IN BOX



6

MANUAL MOTOR



Manual motor
PN-200003774
1x



PN-200003773

1x



PN-200001624

1x



PN-200001625


2x



Hand crank

1x

ITEMS IN BOX

 ** Only if you ordered LED lights to your pergola.



7

CONTROL BOX



Control box

1x



PN-200002756

1x



Matter antenna clip

1x



PN-200002754

1x



PN-200002684

10x



PN-200002758

1x



PN-200002683

5x



PN-200002753

2x



QR-code

1x



PN-200002759

2x



3M tape

1x



PN-200002757

1x

ITEMS IN BOX



** Only if you ordered LED lights to your pergola.



8

POWER CABLE



PN-200003781

1x



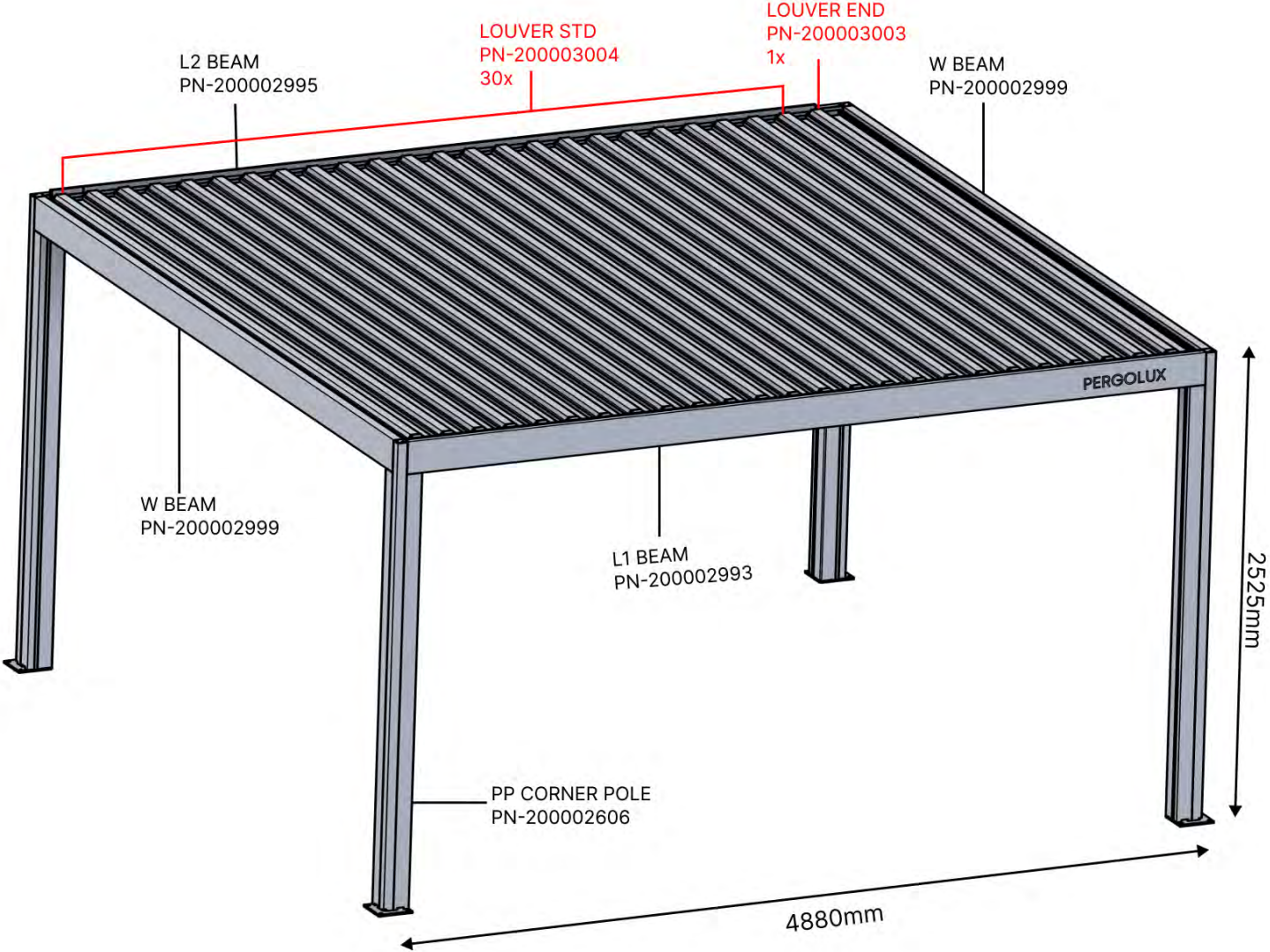
All electric parts should be tested before installation.

LEDs + Motor (and heater) should be connected to the Control box and programmed to ensure functionality.

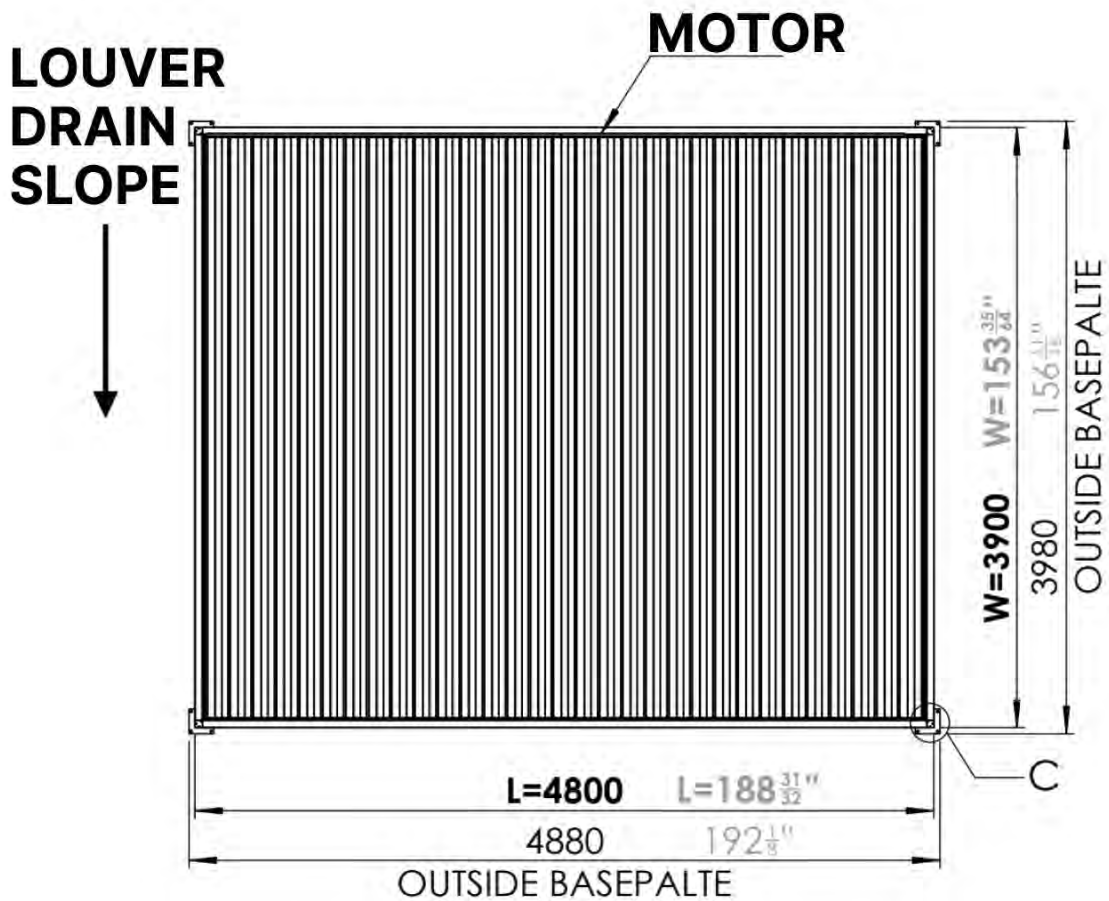
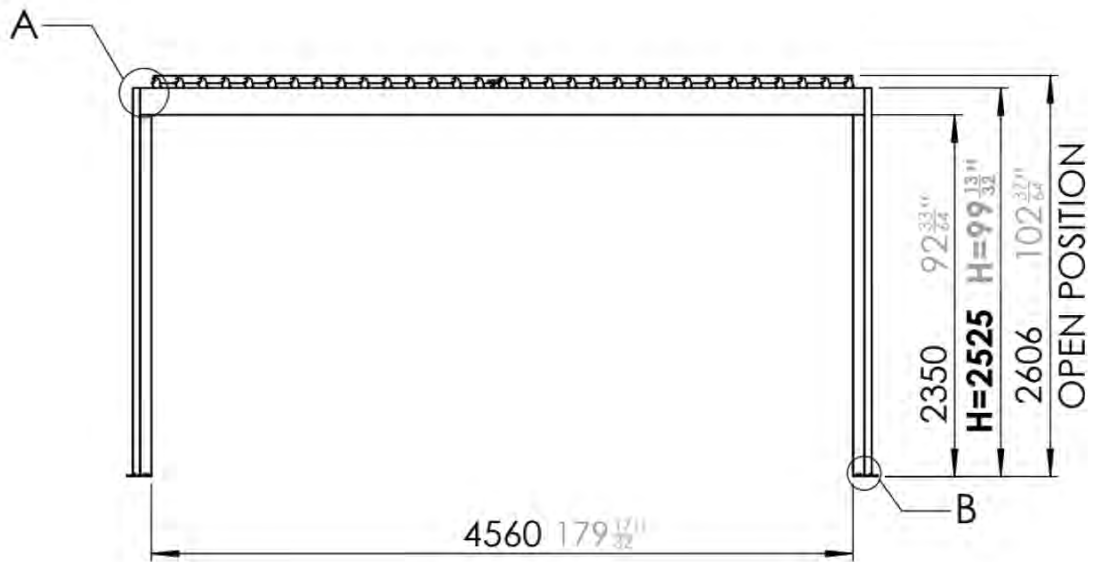
Matter + Smart home can be connected at anytime by simply scanning the QR code provided

PERGOLUX | PERGOLA FREESTANDING S4

4 x 5 M / 13' x 16'



4 × 5 m / 13' x 16'



01

Are you installing a screen, slat wall or glass wall?

It is recommended to remove these Snapfit covers and clips now before installing the pergola.

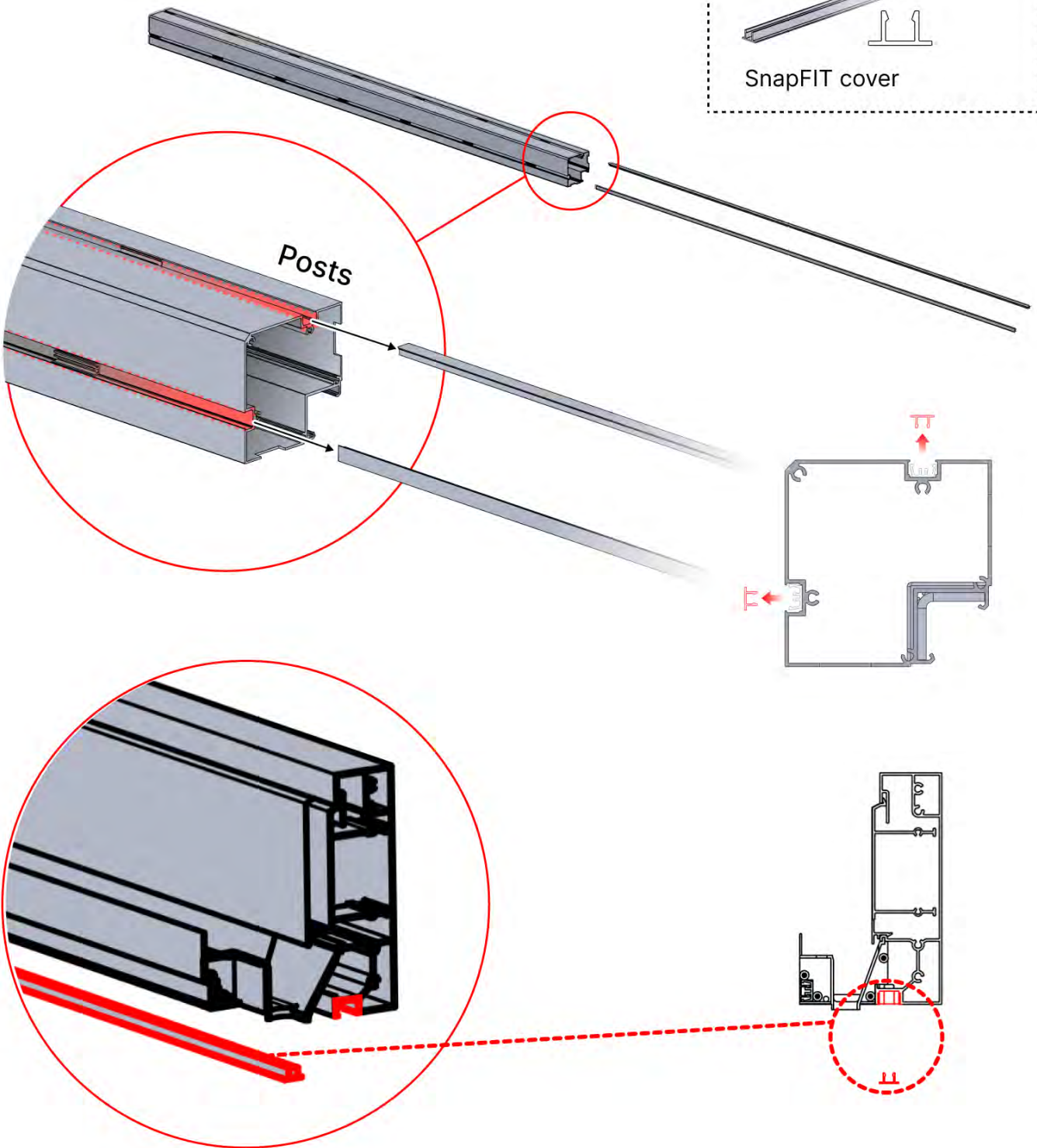
Cover and clips



PN-200000512
SnapFIT cover clip



SnapFIT cover



02

Are you installing a heater, fan or LED lights?

It is recommended to remove both snap-fit covers from the beam now.

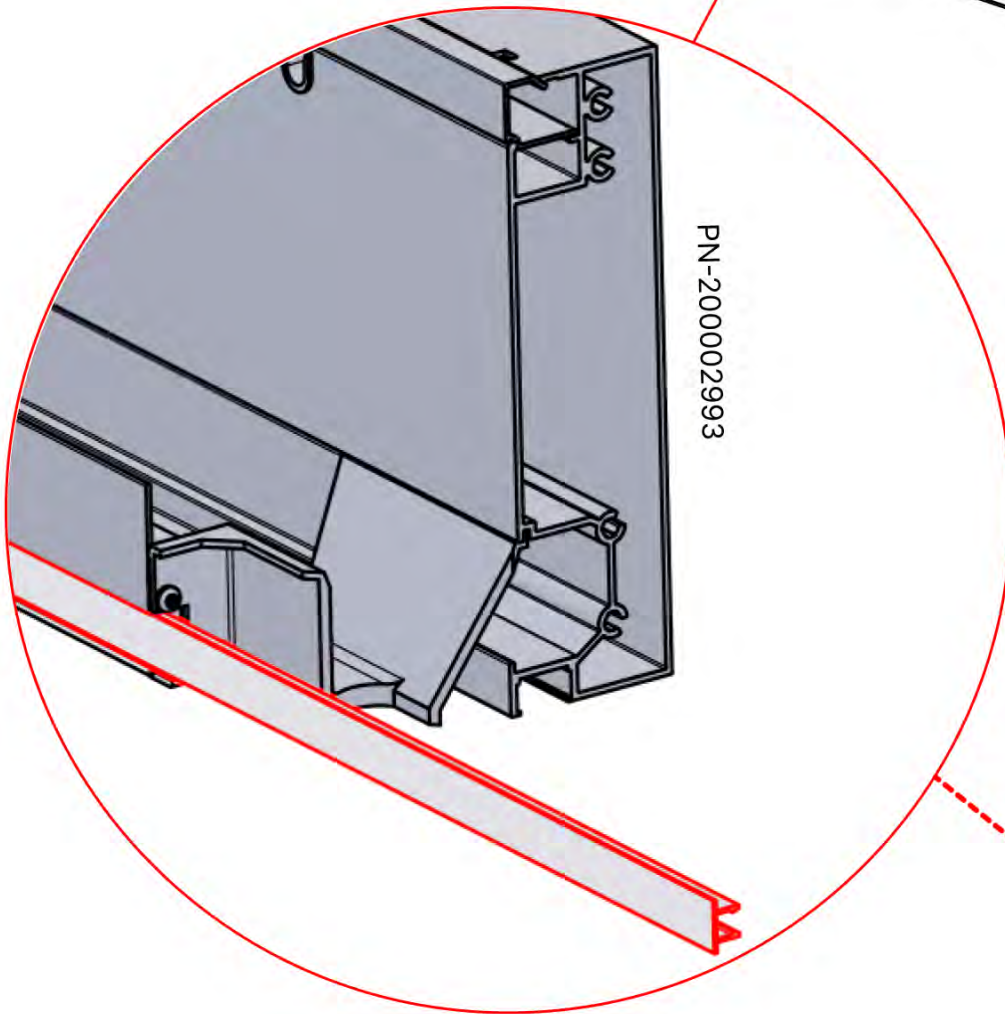
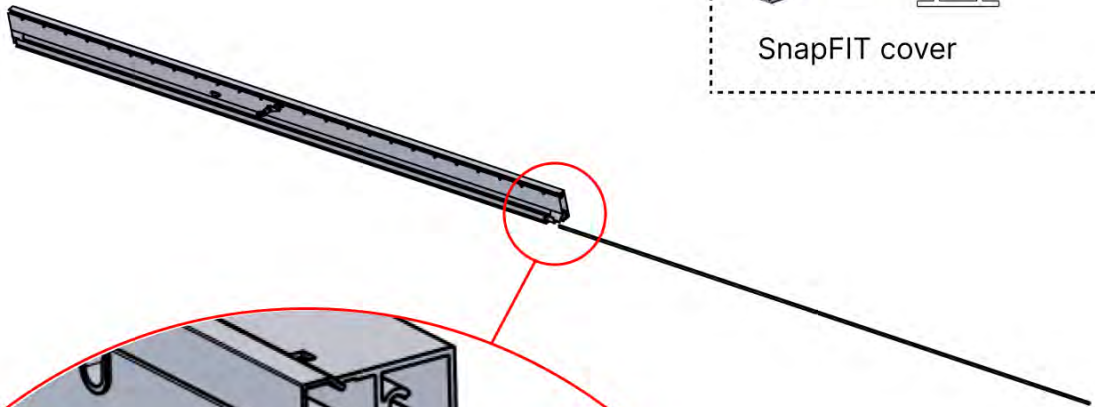
Cover and clips



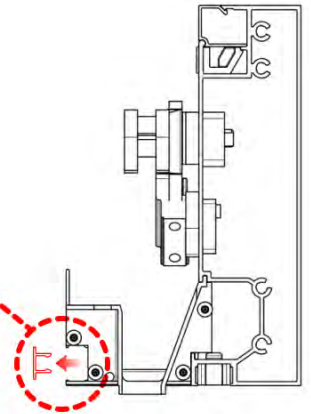
PN-200000512
LED STRIP COVER CLIP



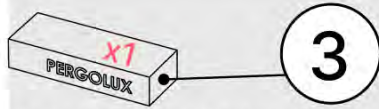
SnapFIT cover



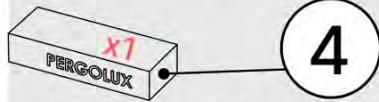
PN-200002993



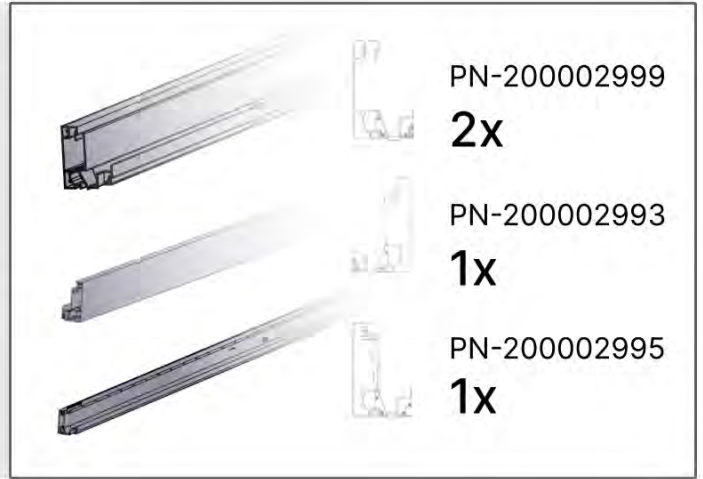
03



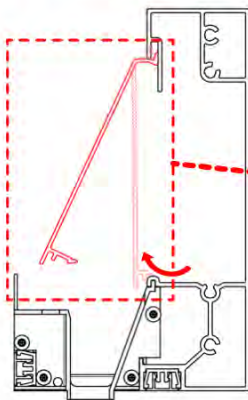
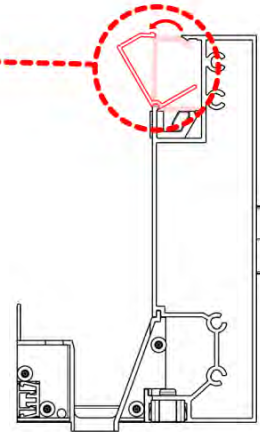
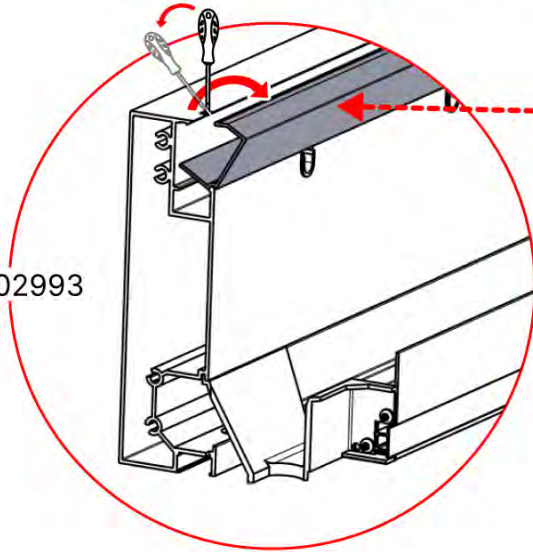
ANTHRACITE: B209
WHITE: B213
BLACK: B211



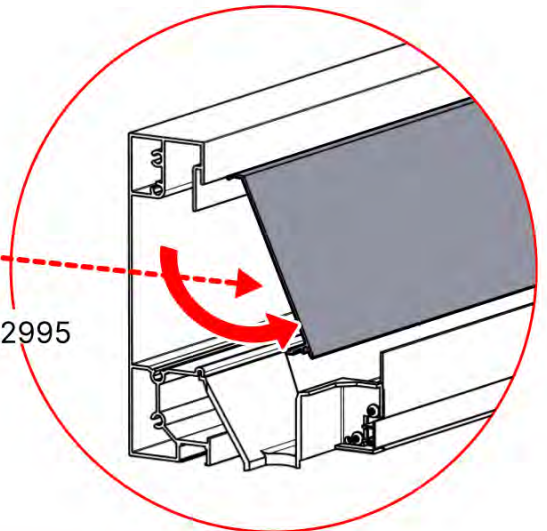
ANTHRACITE: B280
WHITE: B195
BLACK: B192



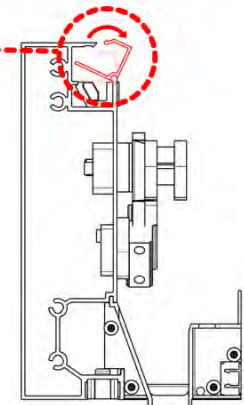
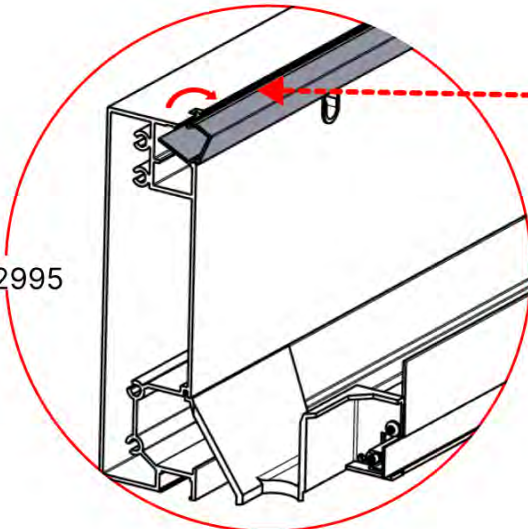
PN-200002993



PN-200002995



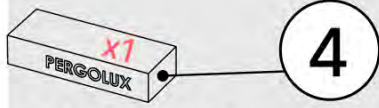
PN-200002995



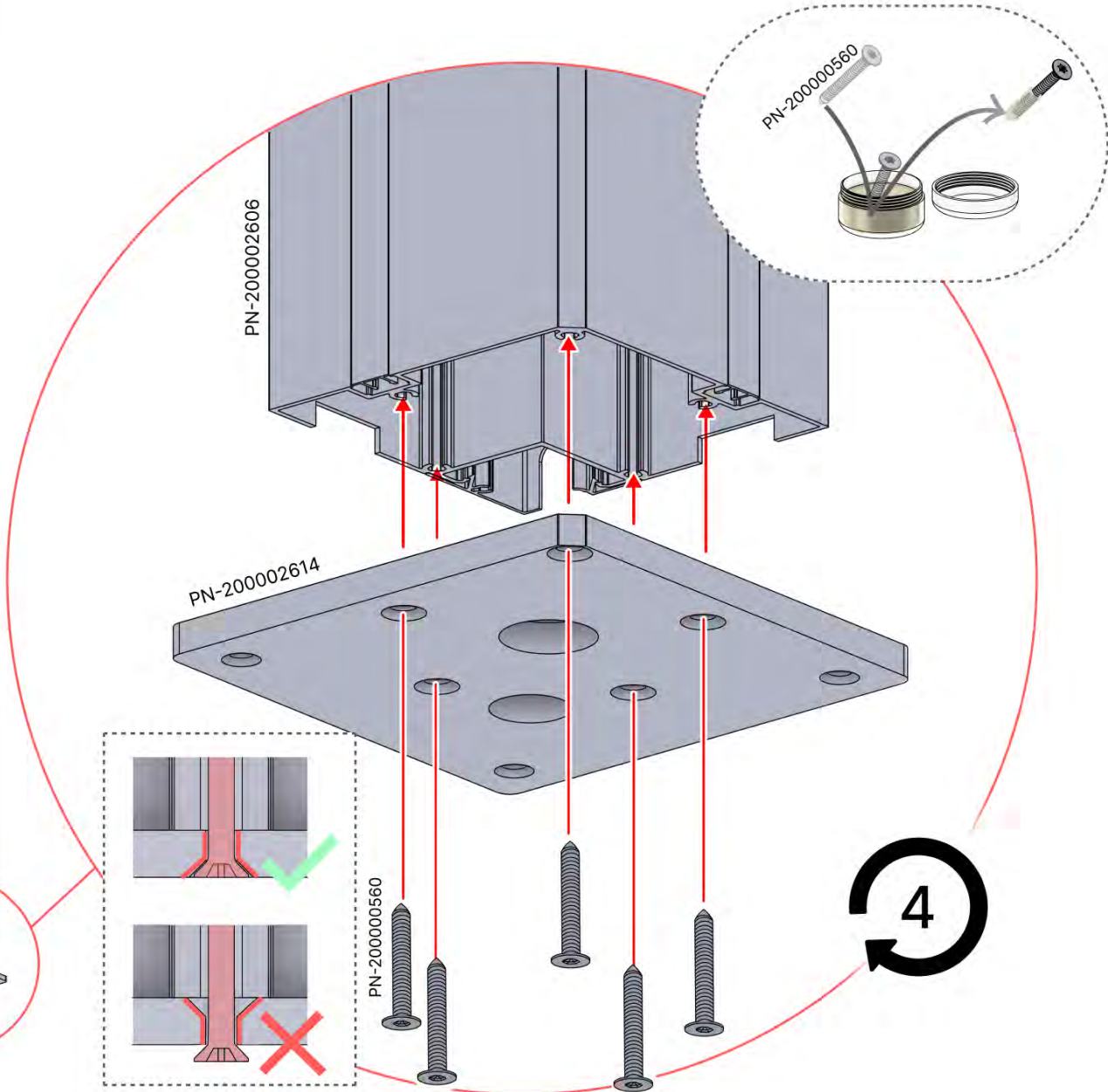
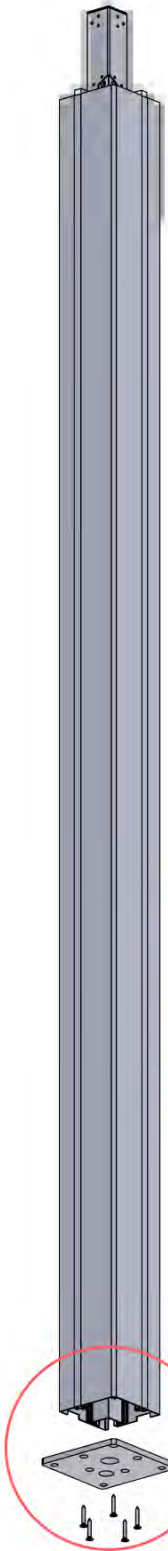
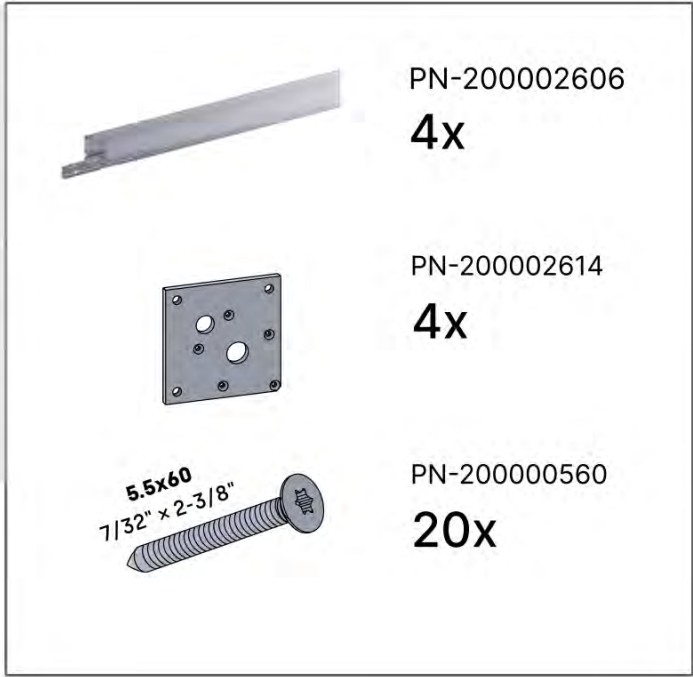
04



ANTHRACITE: C120
WHITE: C122
BLACK: C121



ANTHRACITE: B280
WHITE: B195
BLACK: B192



05



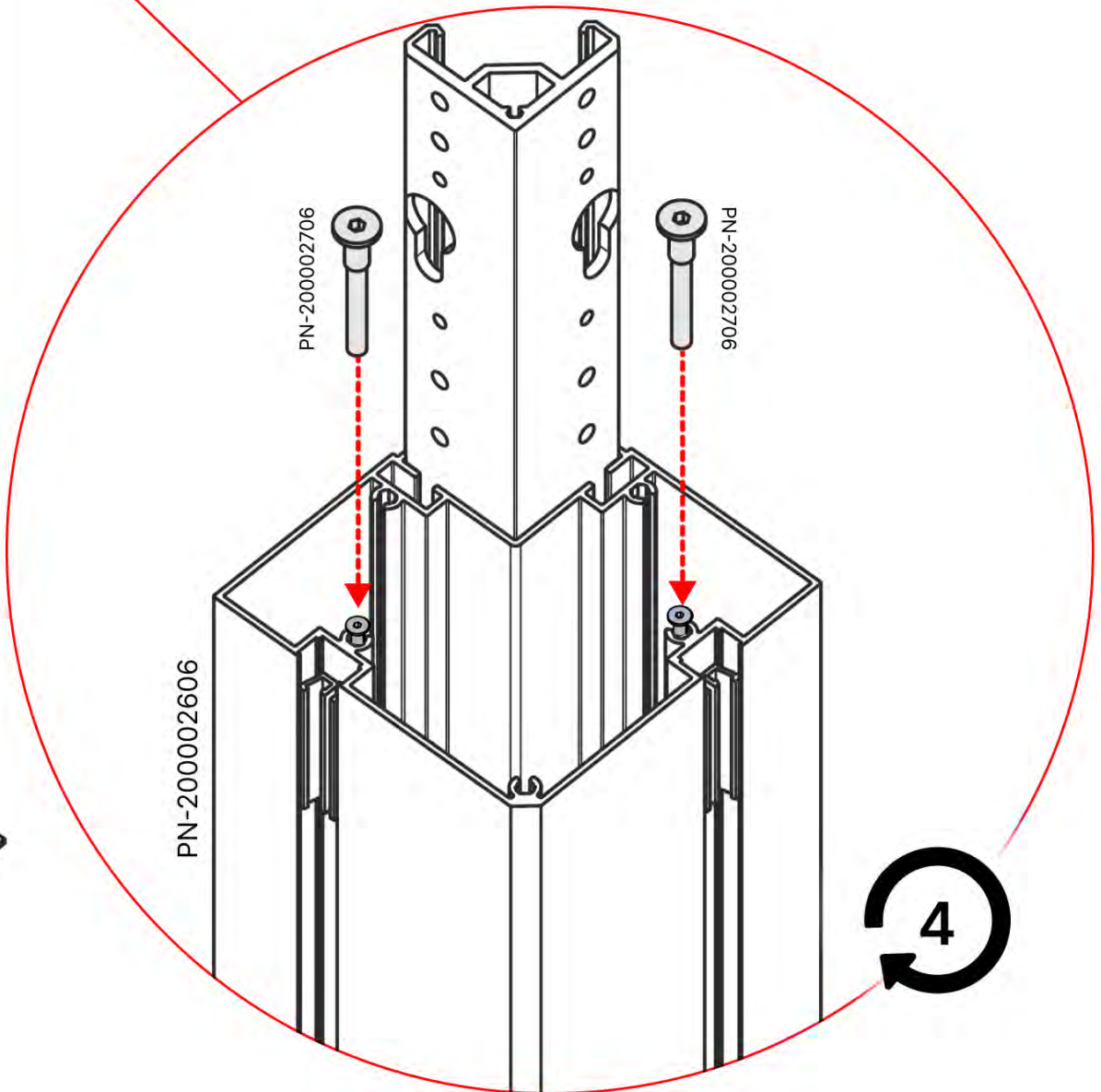
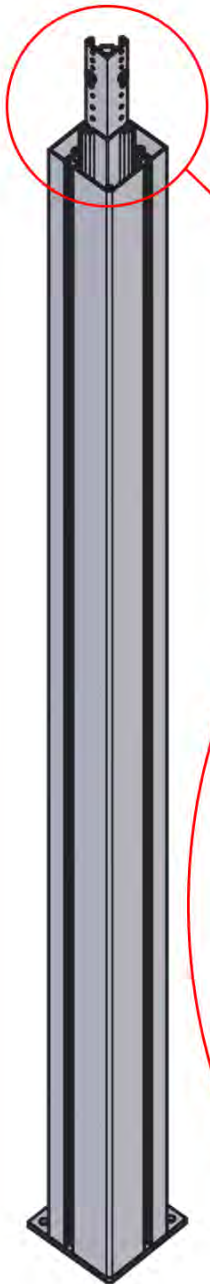
4

ANTHRACITE: B280
WHITE: B195
BLACK: B192

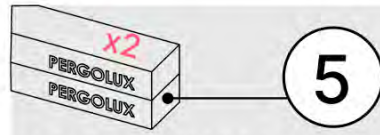


PN-200002706

8x

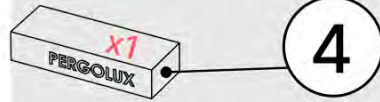


INFORMATION



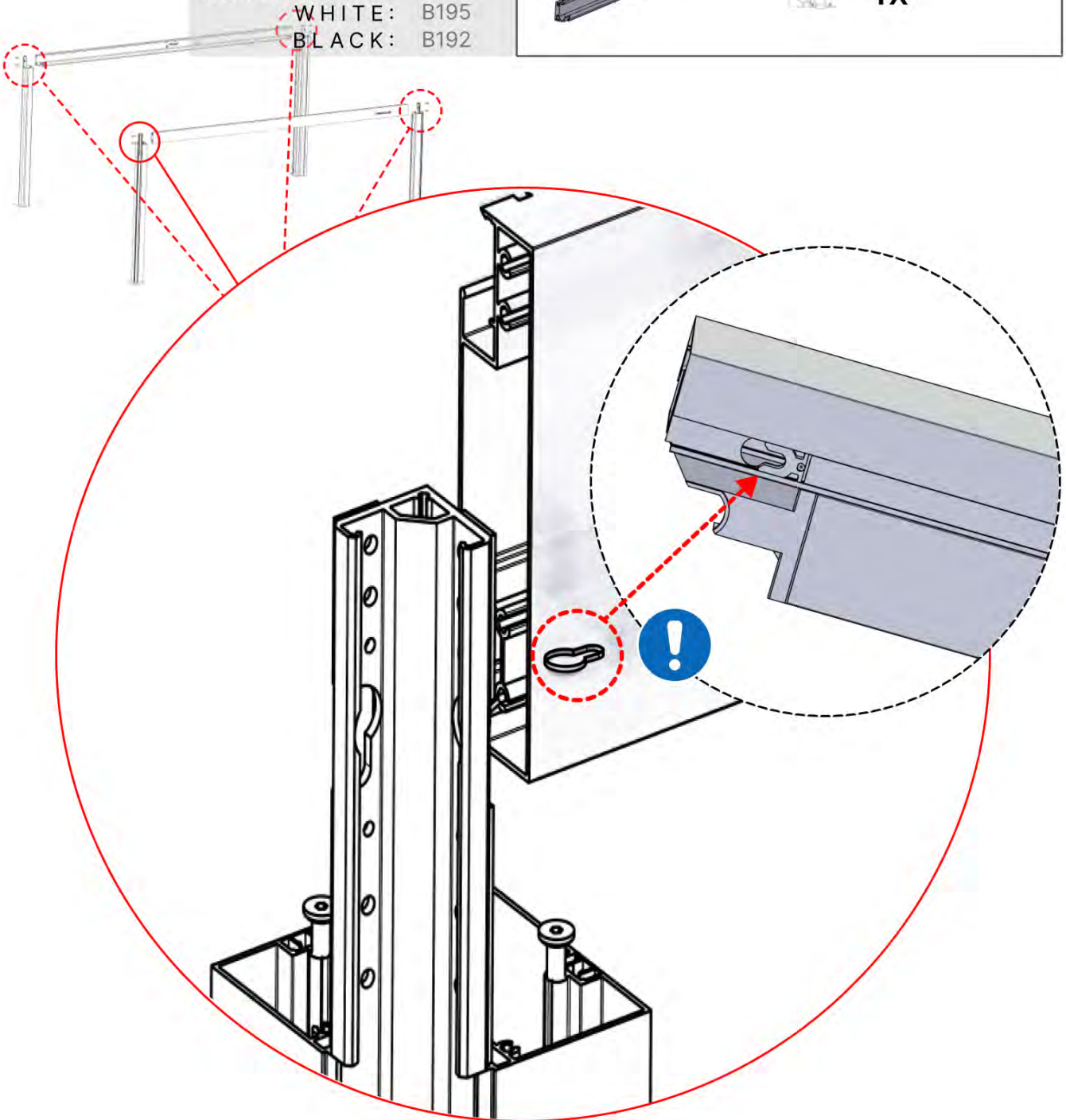
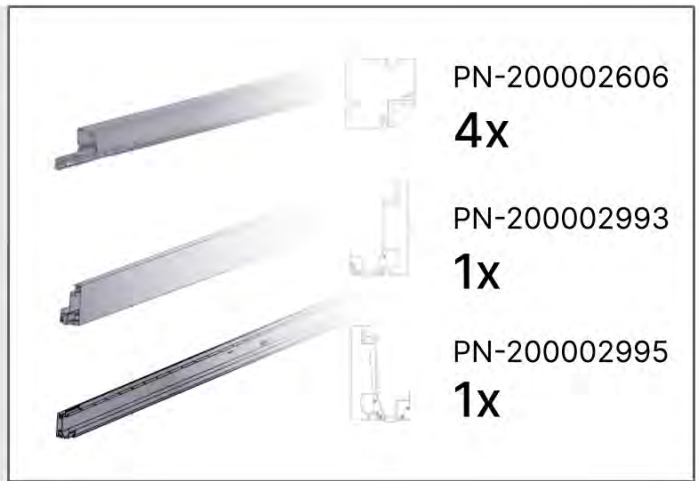
5

ANTHRACITE: C120
WHITE: C122
BLACK: C121



4

ANTHRACITE: B280
WHITE: B195
BLACK: B192



06

x2
PERGOLUX
PERGOLUX


5

ANTHRACITE: C120
WHITE: C122
BLACK: C121

x7
PERGOLUX

4

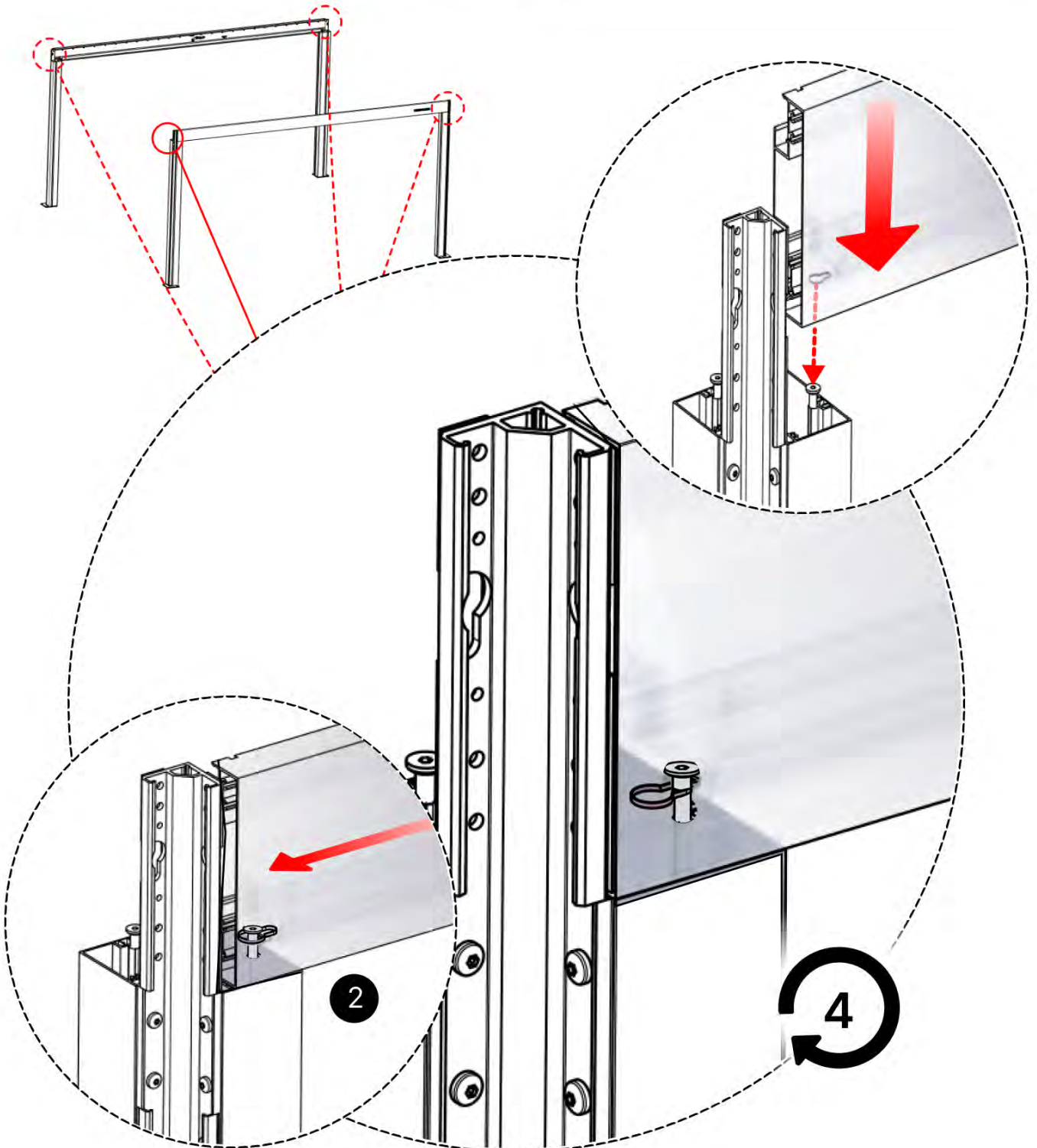
ANTHRACITE: B280
WHITE: B195
BLACK: B192



PN-200002606
4x

PN-200002993
1x

PN-200002995
1x



07



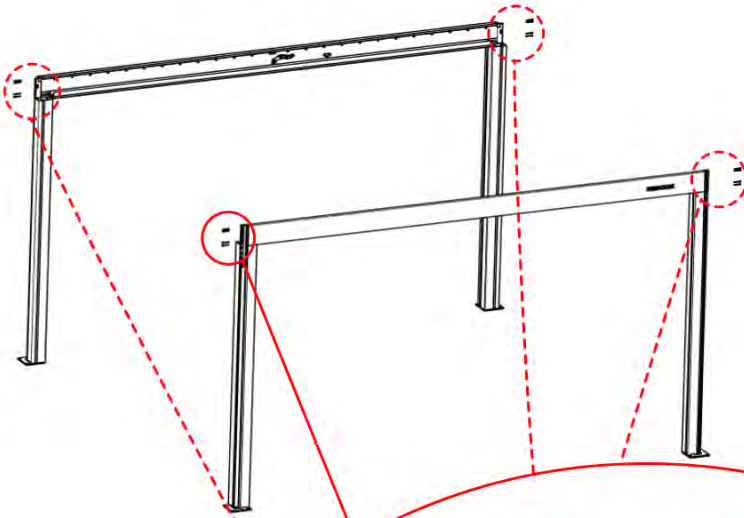
4

ANTHRACITE: B280
WHITE: B195
BLACK: B192



PN-200000568

16x



PN-200000568



PN-200000568



PN-200002606




08

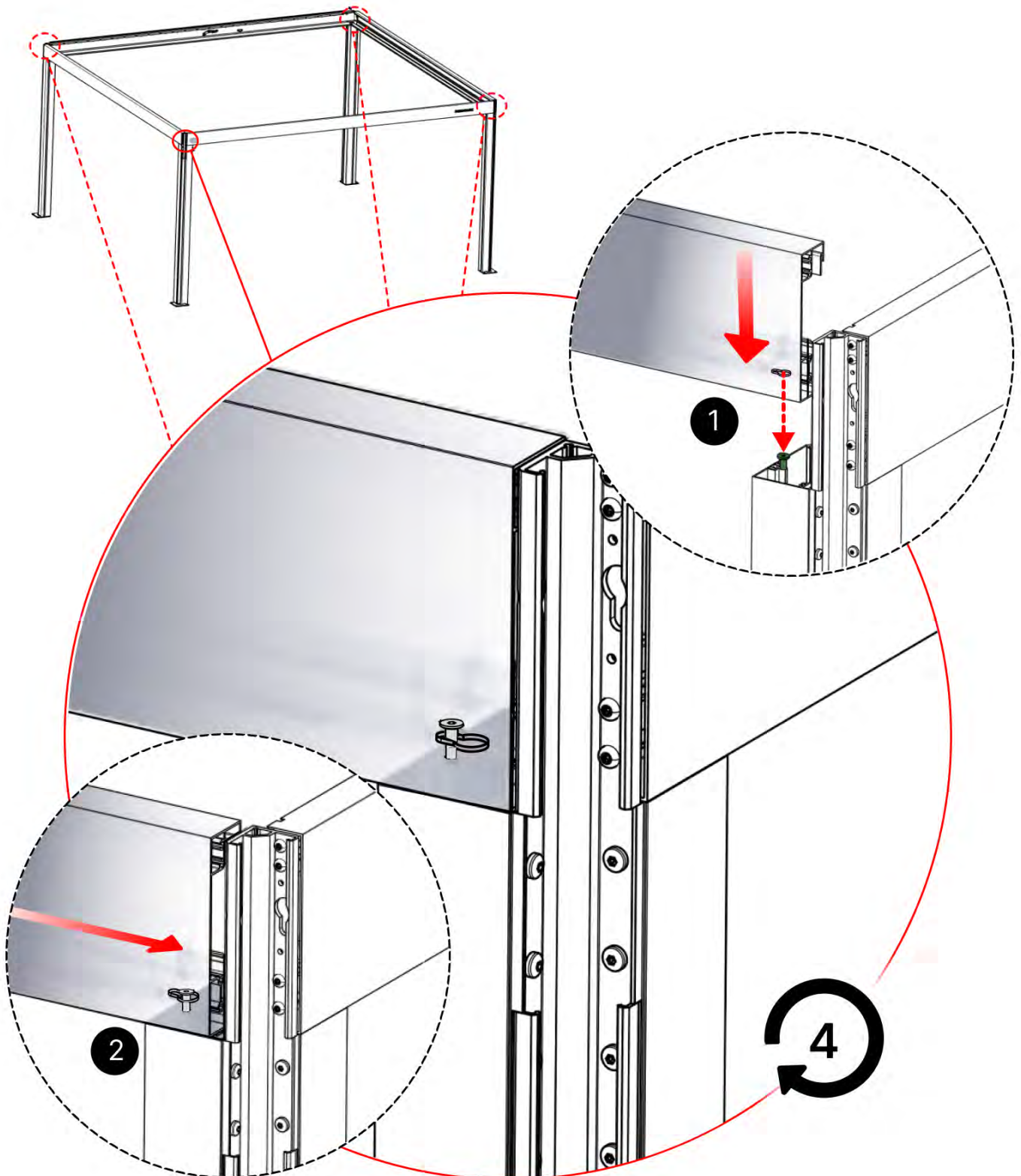
x1
PERGOLUX

3

ANTHRACITE: B209
WHITE: B213
BLACK: B211



PN-200002999
2x



09

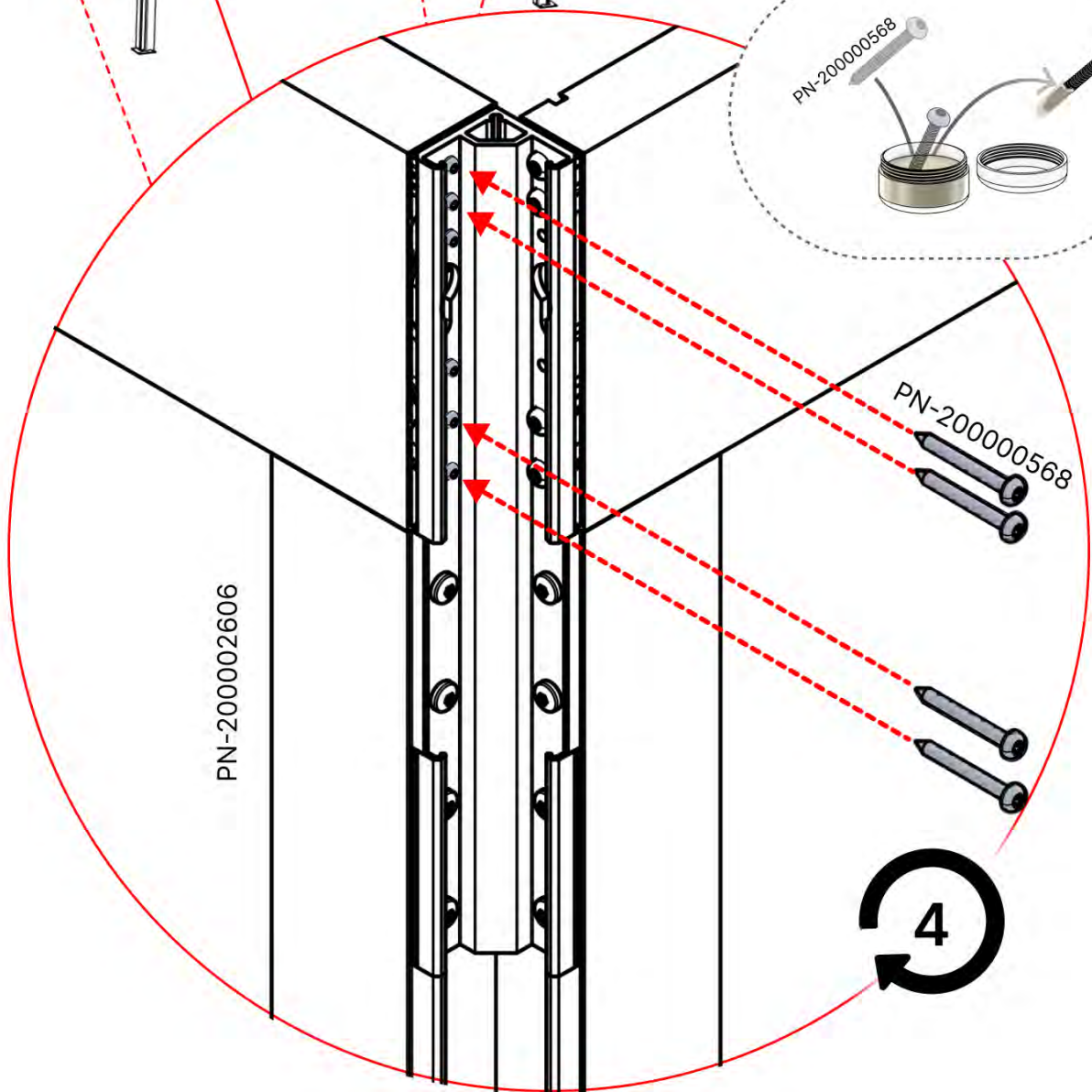
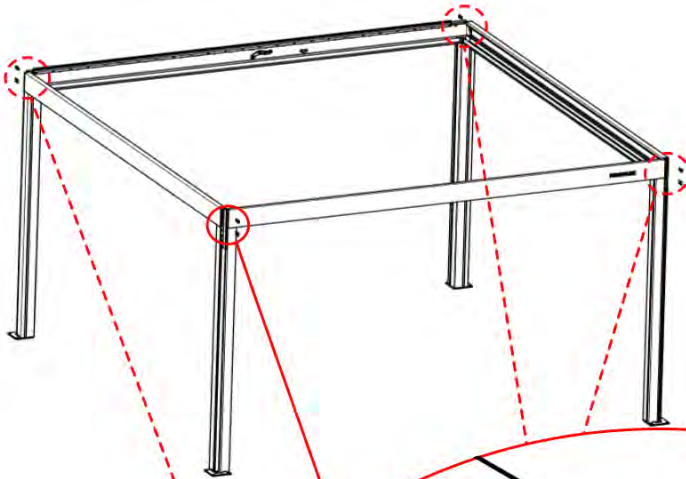


4

ANTHRACITE: B280
WHITE: B195
BLACK: B192



PN-200000568
16x



INFORMATION

Have you ordered LED-Lights?

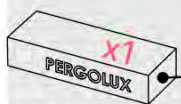
Now is the time to start the assembling.



Follow the instruction for the LED lights in the assembly PDF and Video linked:



10



4

ANTHRACITE: B280
WHITE: B195
BLACK: B192



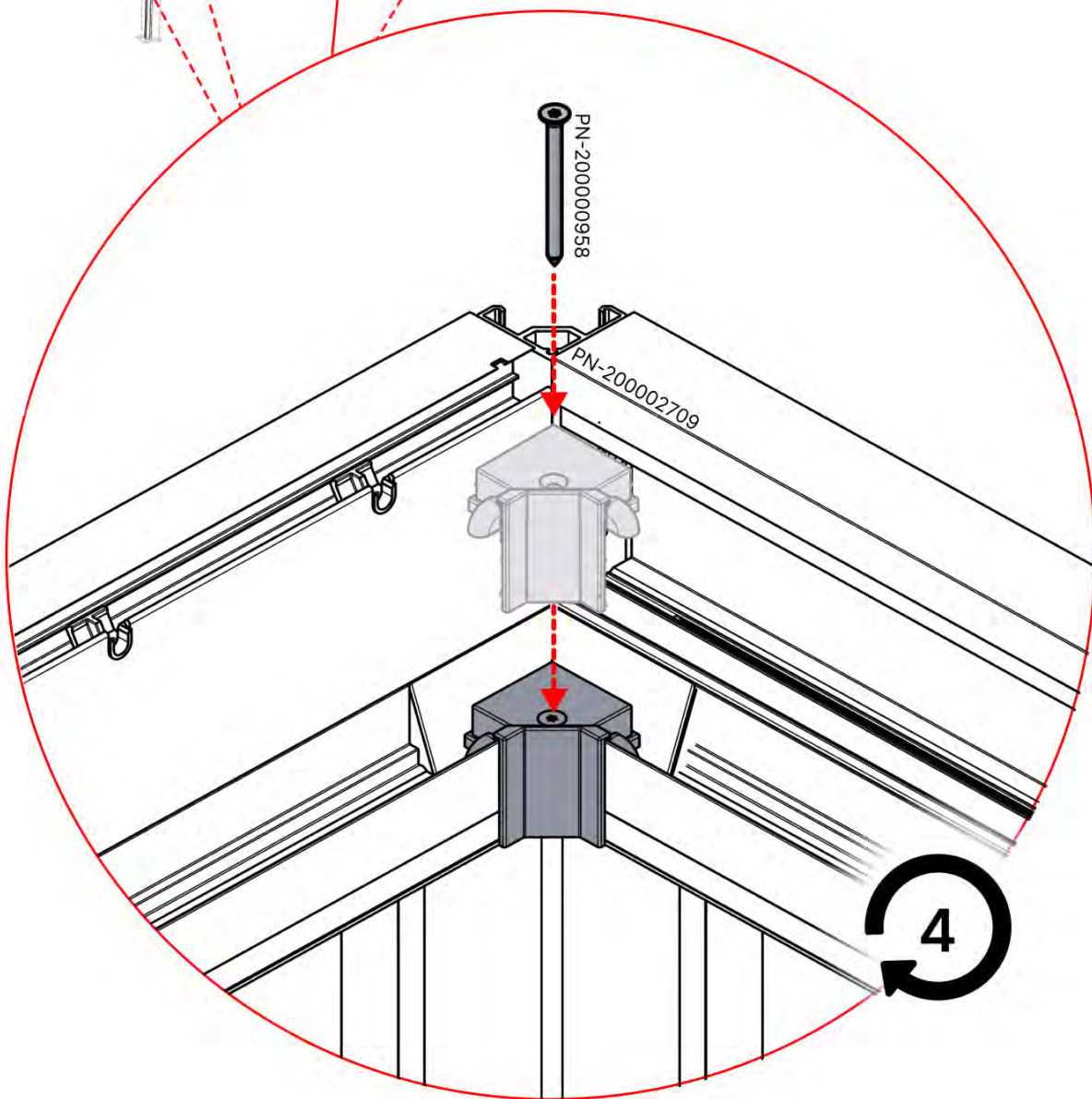
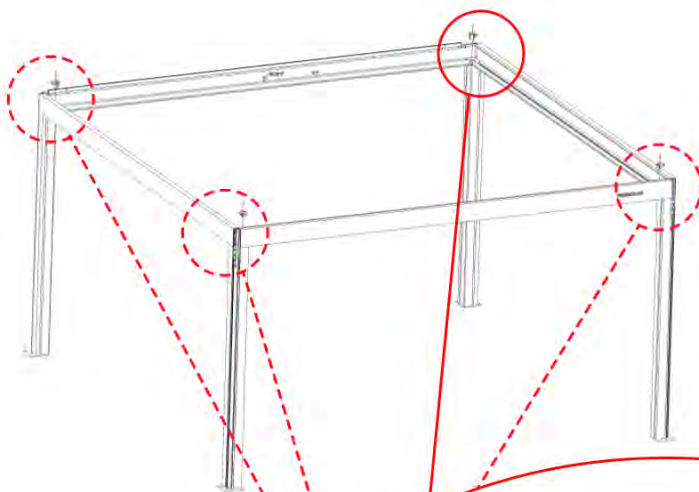
PN-200002709

4x

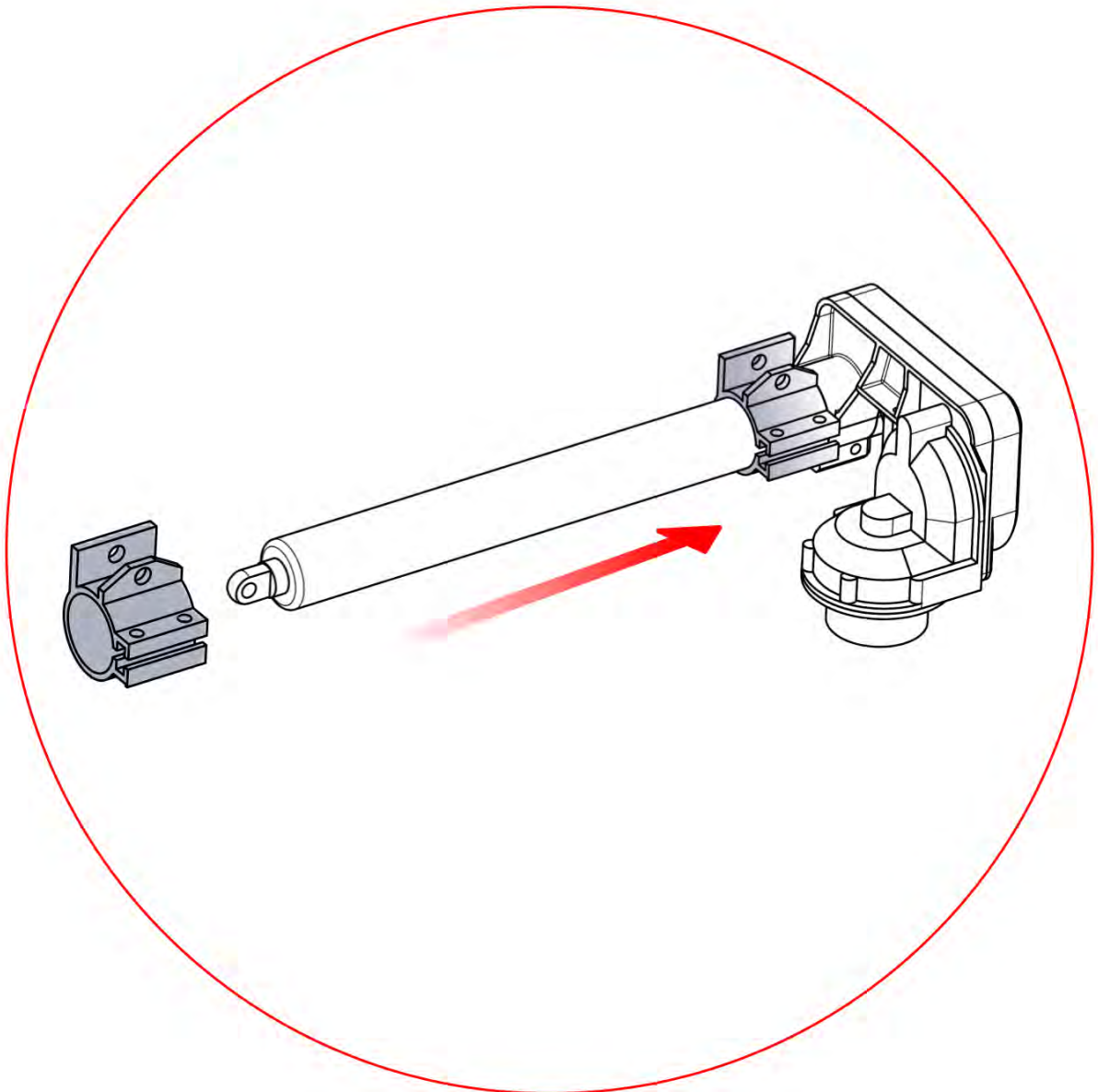
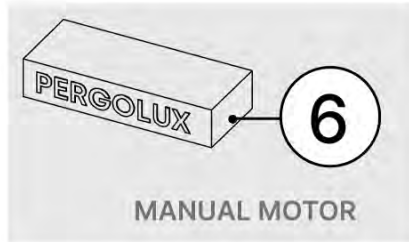


PN-200000958

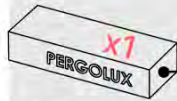
4x



11



12

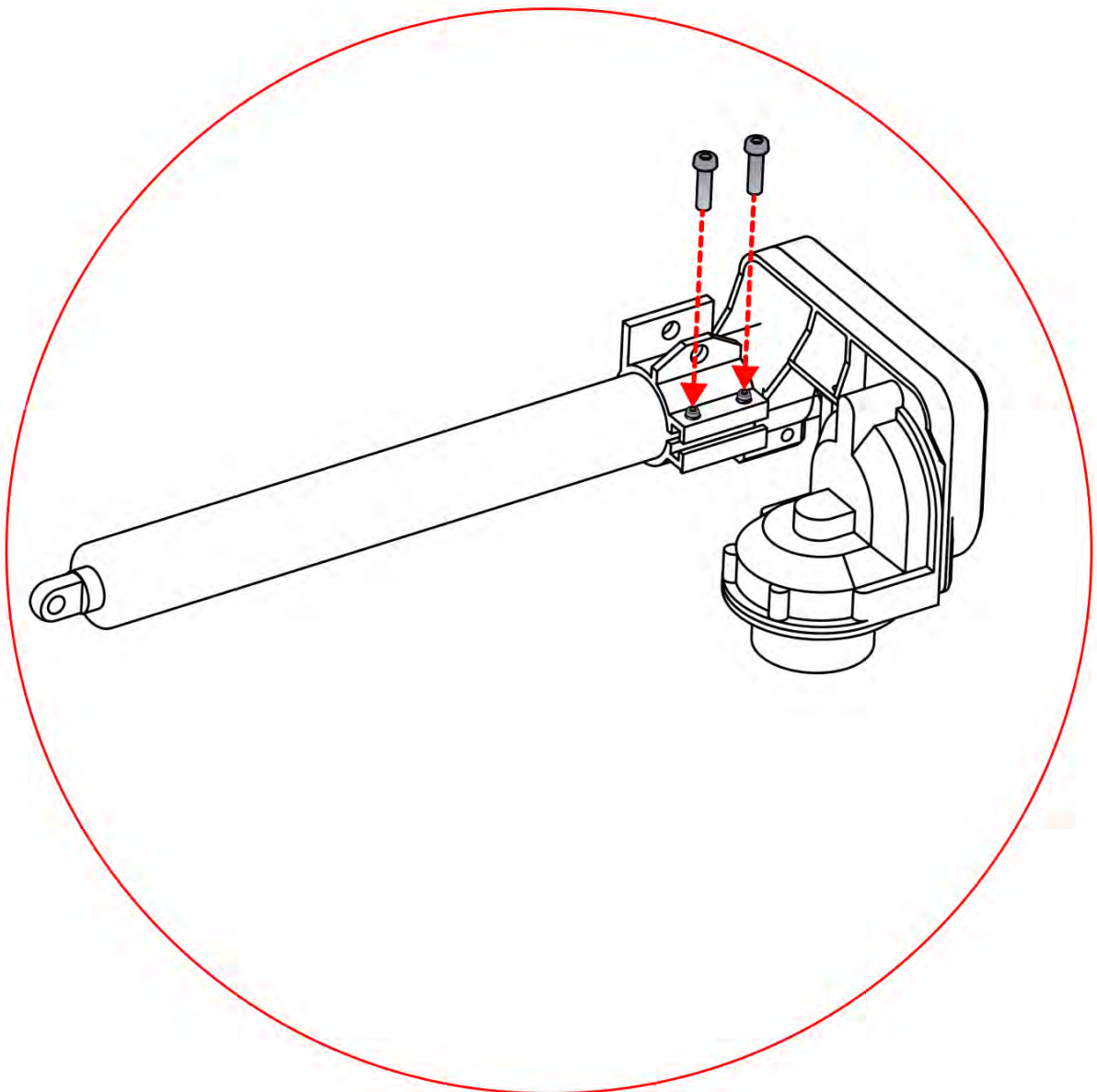


4

ANTHRACITE: B280
WHITE: B195
BLACK: B192



PN-200001625
2x

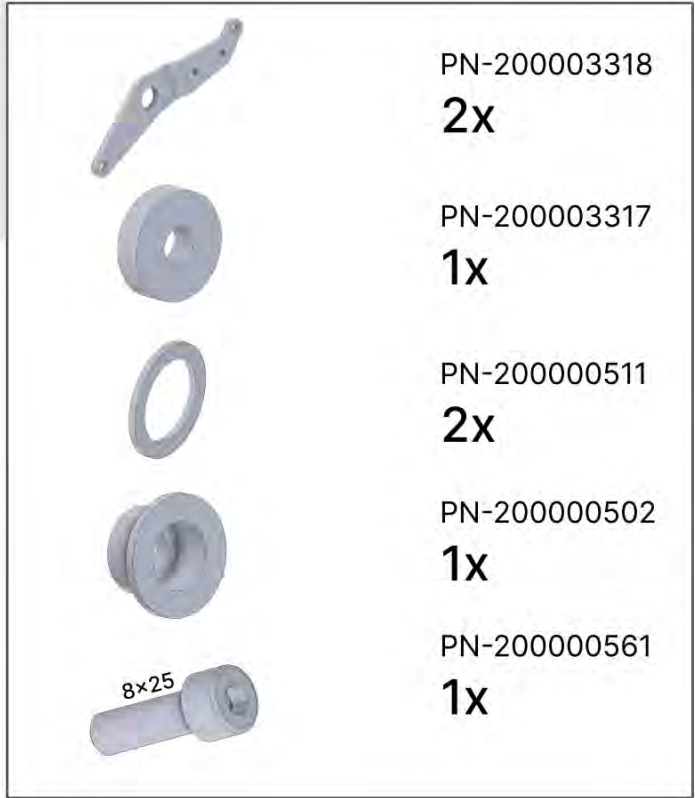


13

4

PERGOLUX **x7**

ANTHRACITE: B188
WHITE: B194
BLACK: B191



PN-200003318
2x

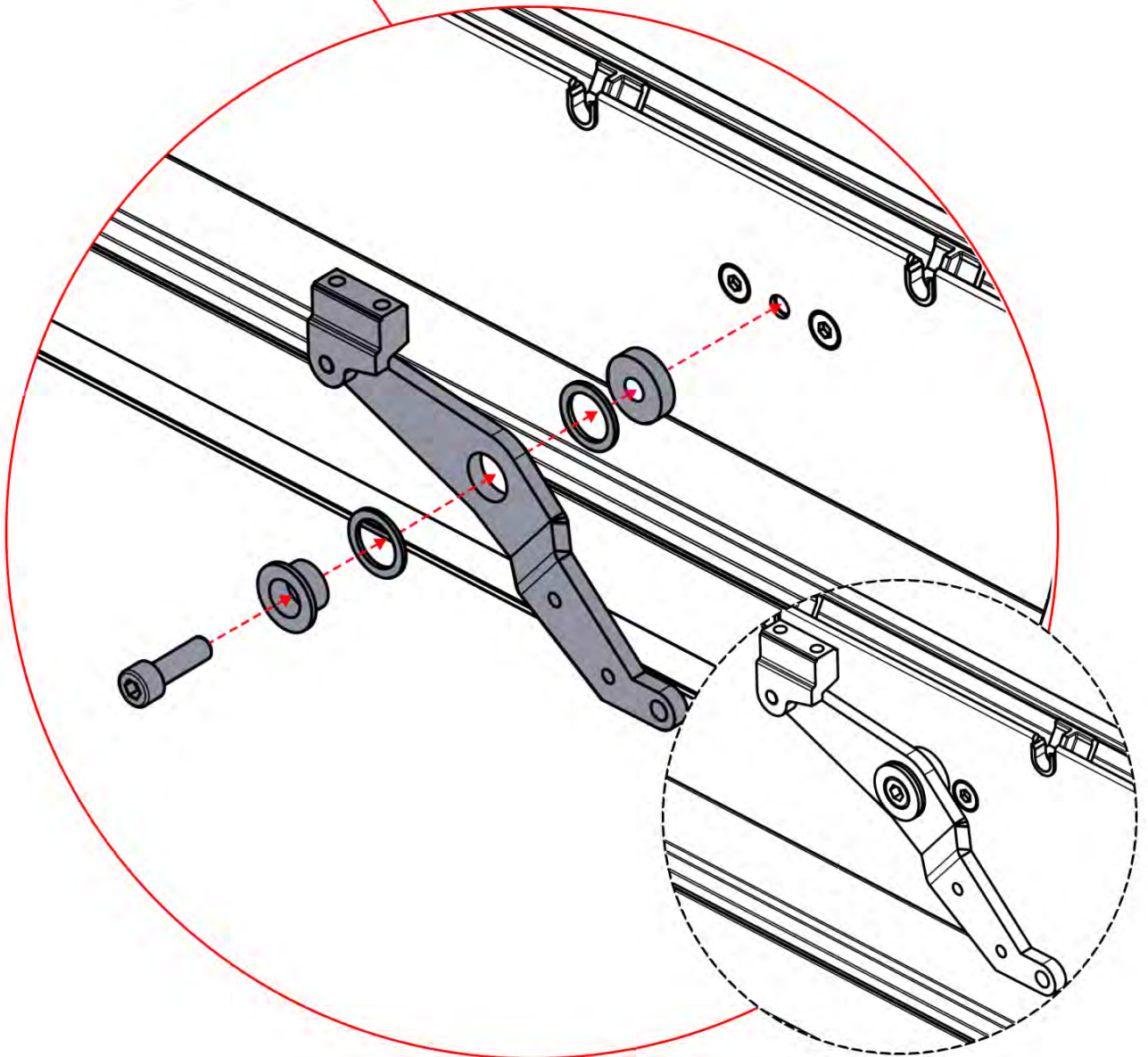
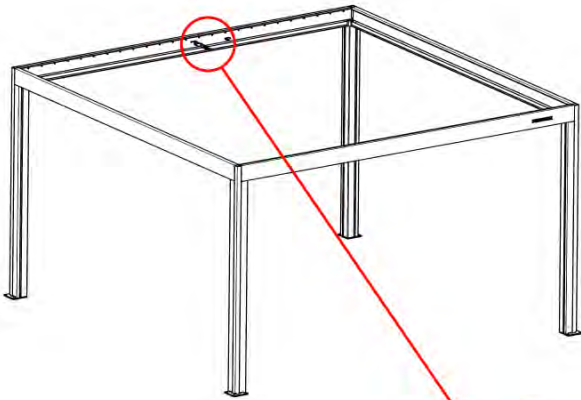
PN-200003317
1x

PN-200000511
2x

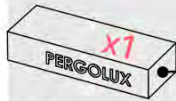
PN-200000502
1x

PN-200000561
1x

8x25

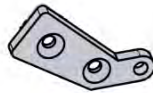


14



4

ANTHRACITE: B280
WHITE: B195
BLACK: B192



PN-200003367
1x



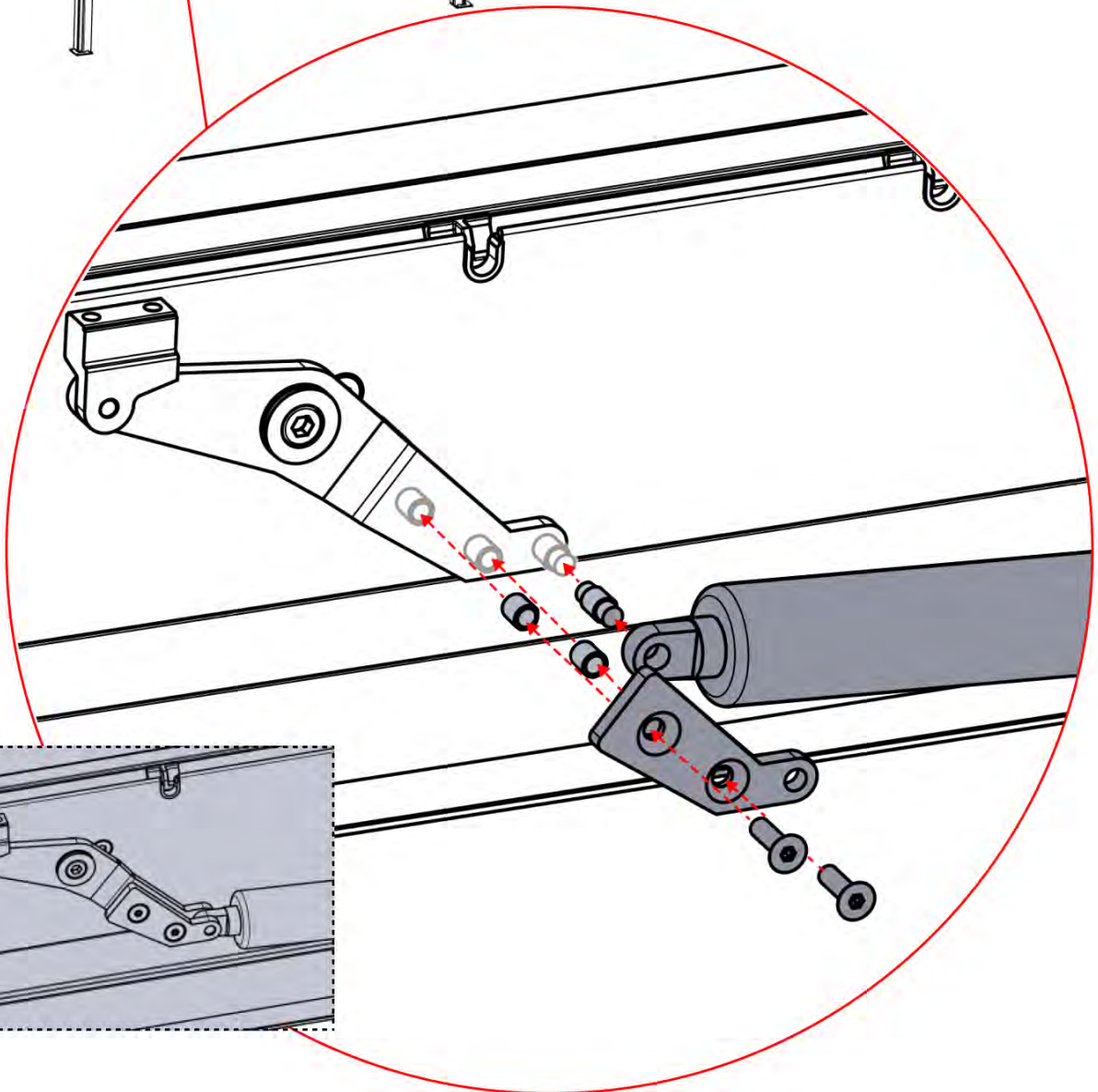
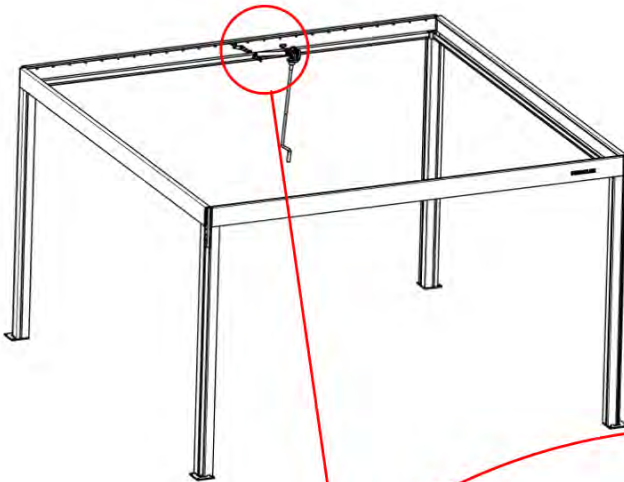
PN-200000853
2x



PN-200003370
1x



PN-200003368
2x



15



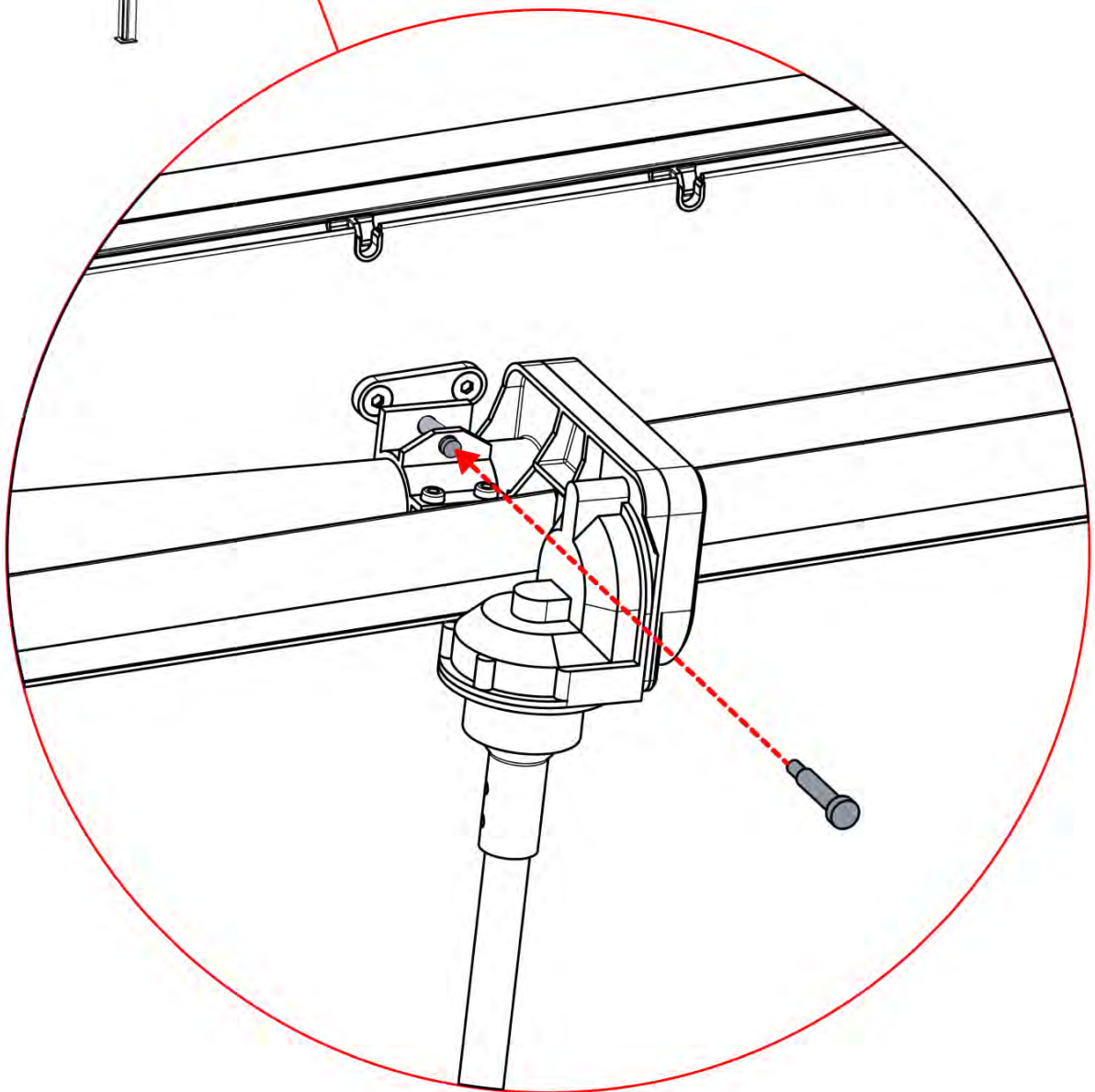
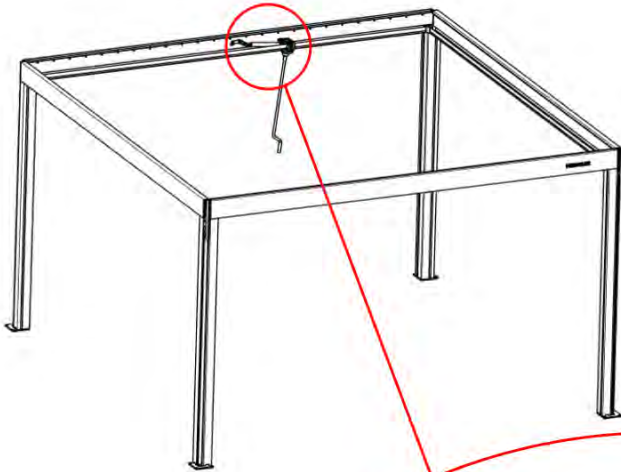
4

ANTHRACITE: B280
WHITE: B195
BLACK: B192



PN-200001624

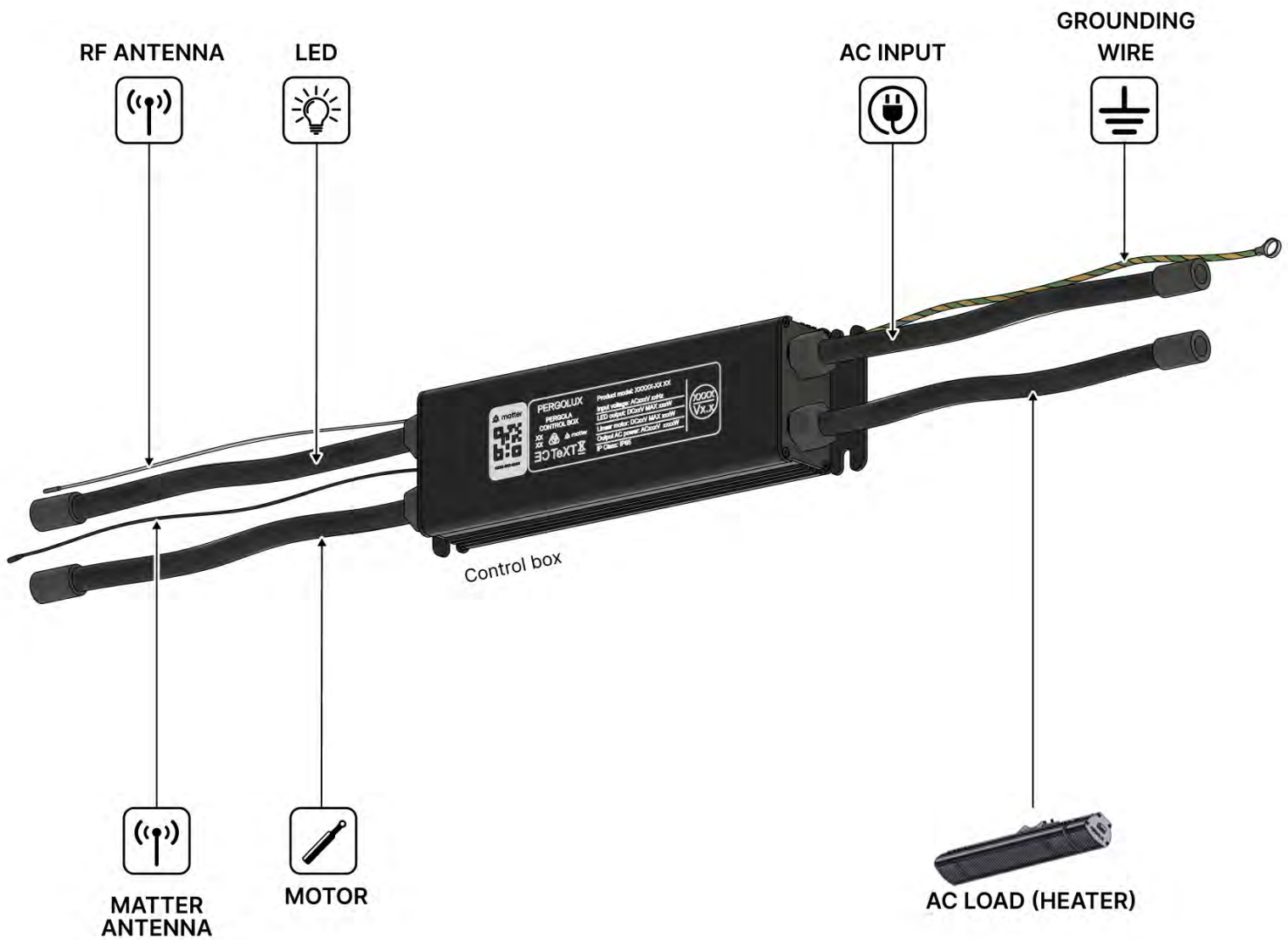
1x



INPUTS AND OUTPUTS

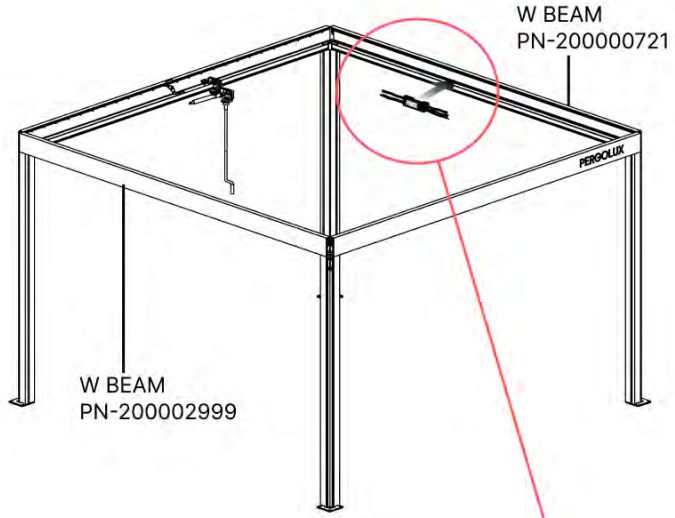
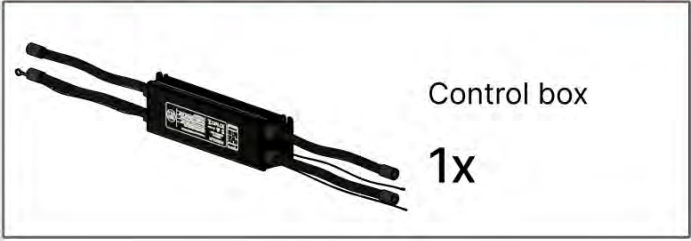
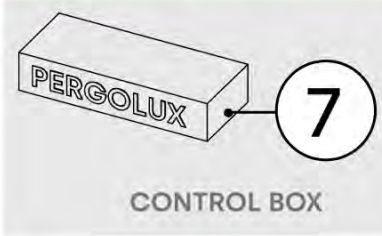


** Only if you ordered LED lights to your pergola.

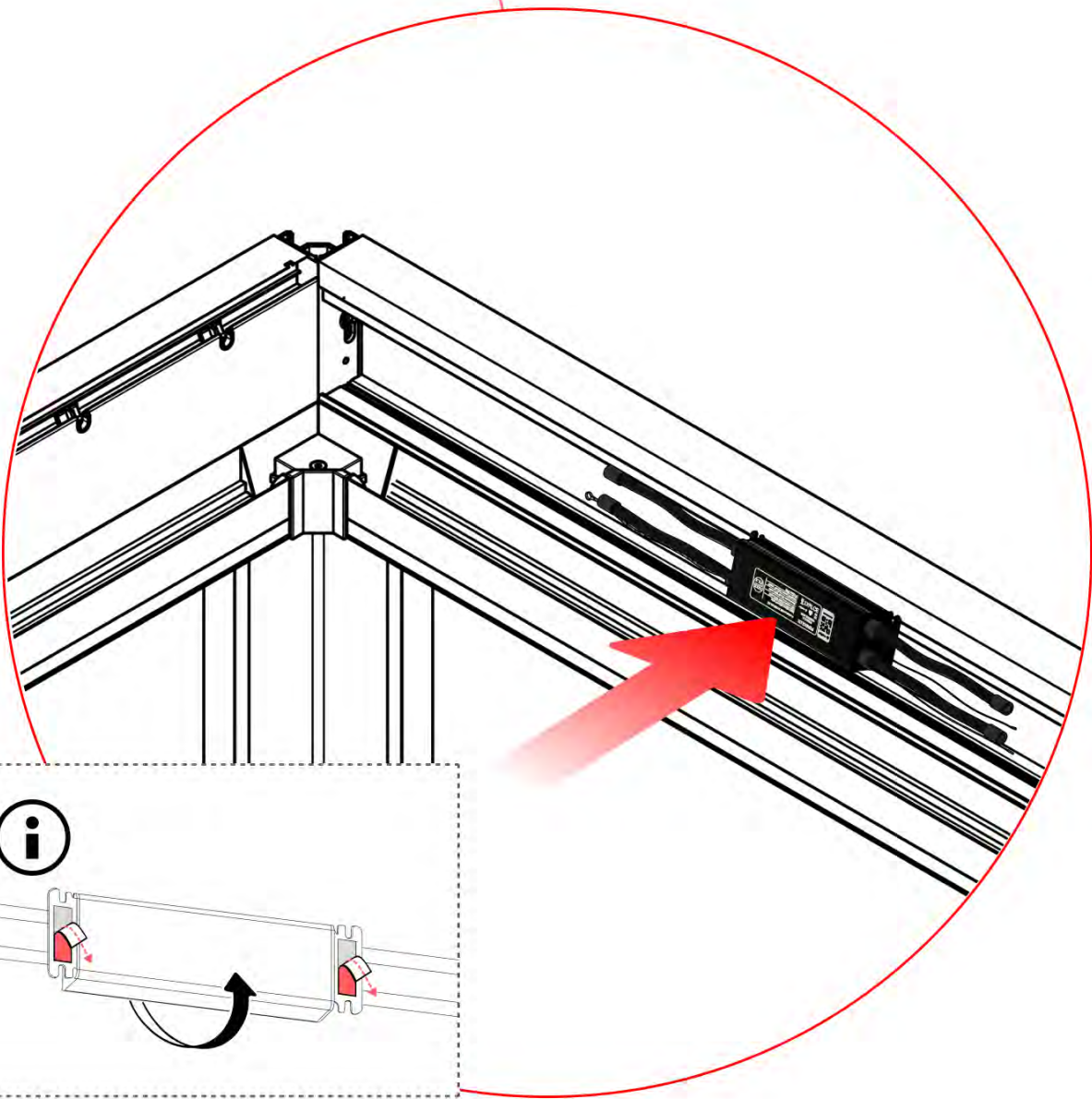


! ** Only if you ordered LED lights to your pergola.

16



!
Control Box can be
installed on
Preferred W BEAM





** Only if you ordered LED lights to your pergola.

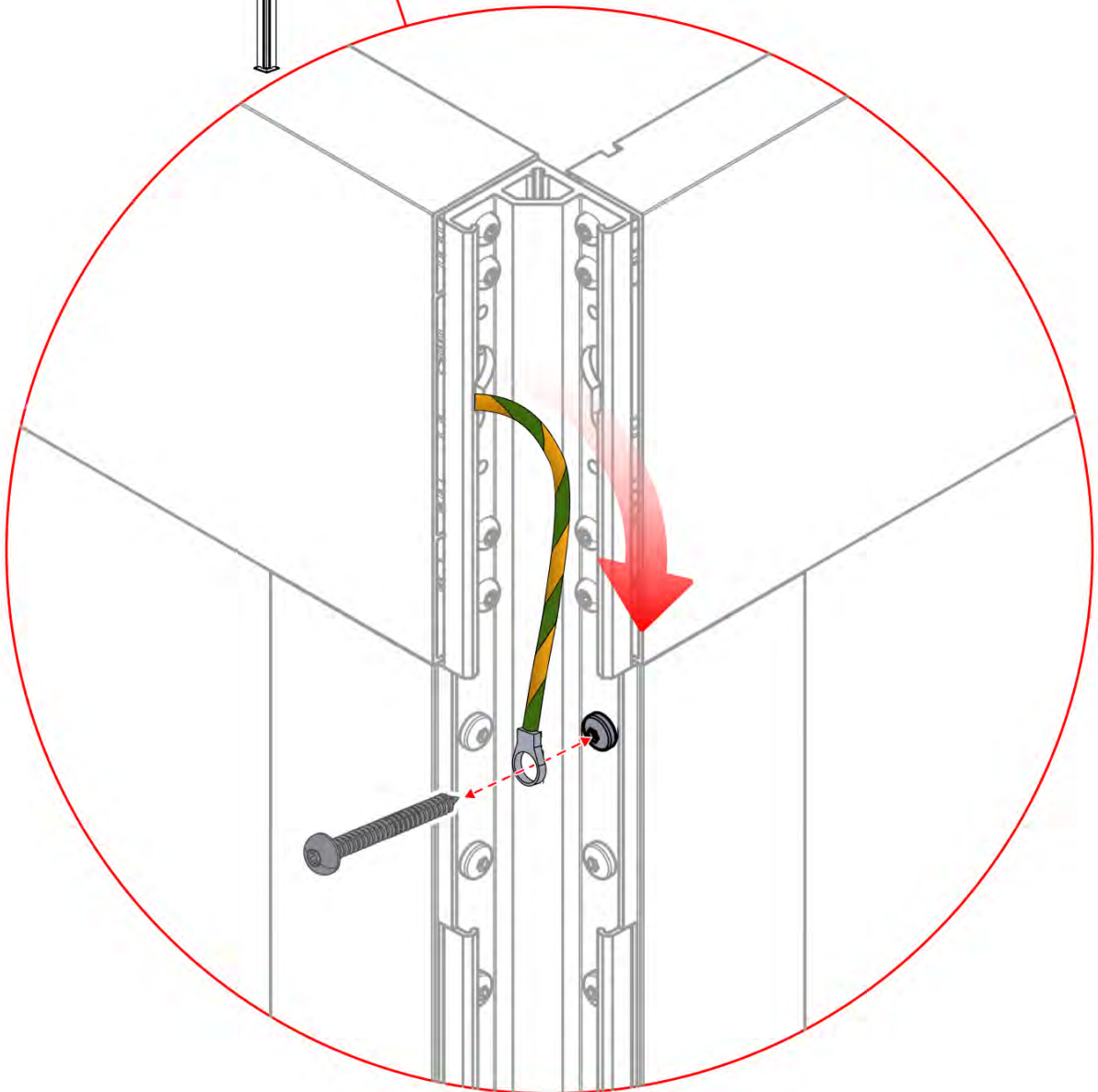
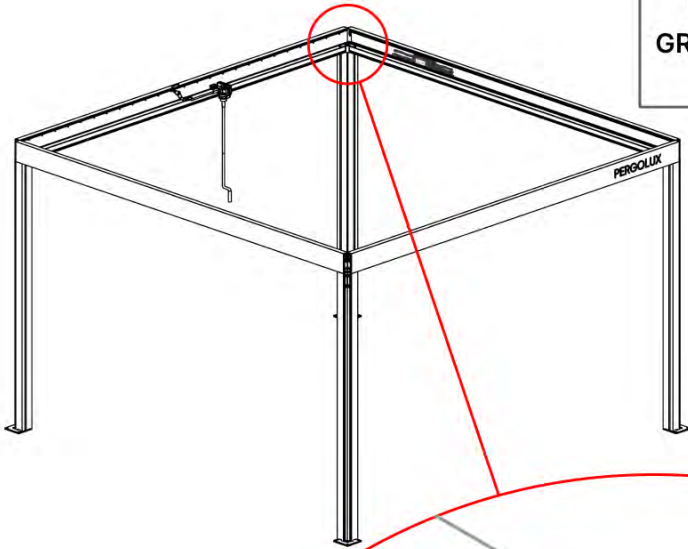
17



Connect grounding wire before connecting to power!



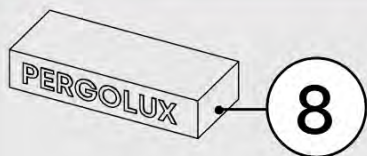
GROUNDING





** Only if you ordered LED lights to your pergola.

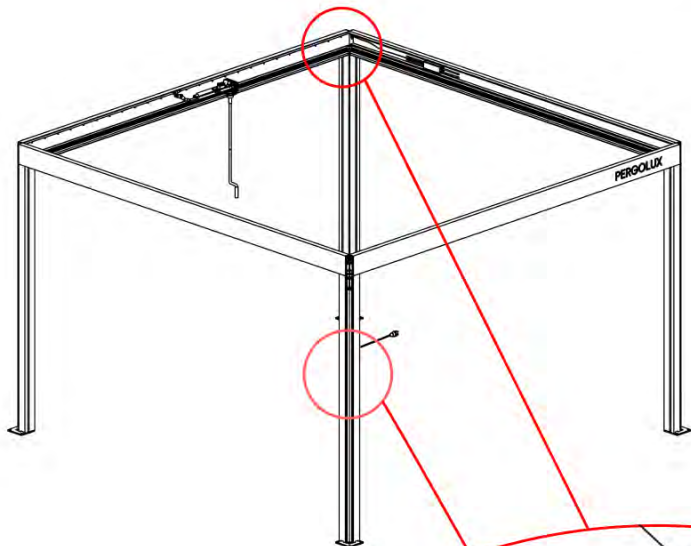
18



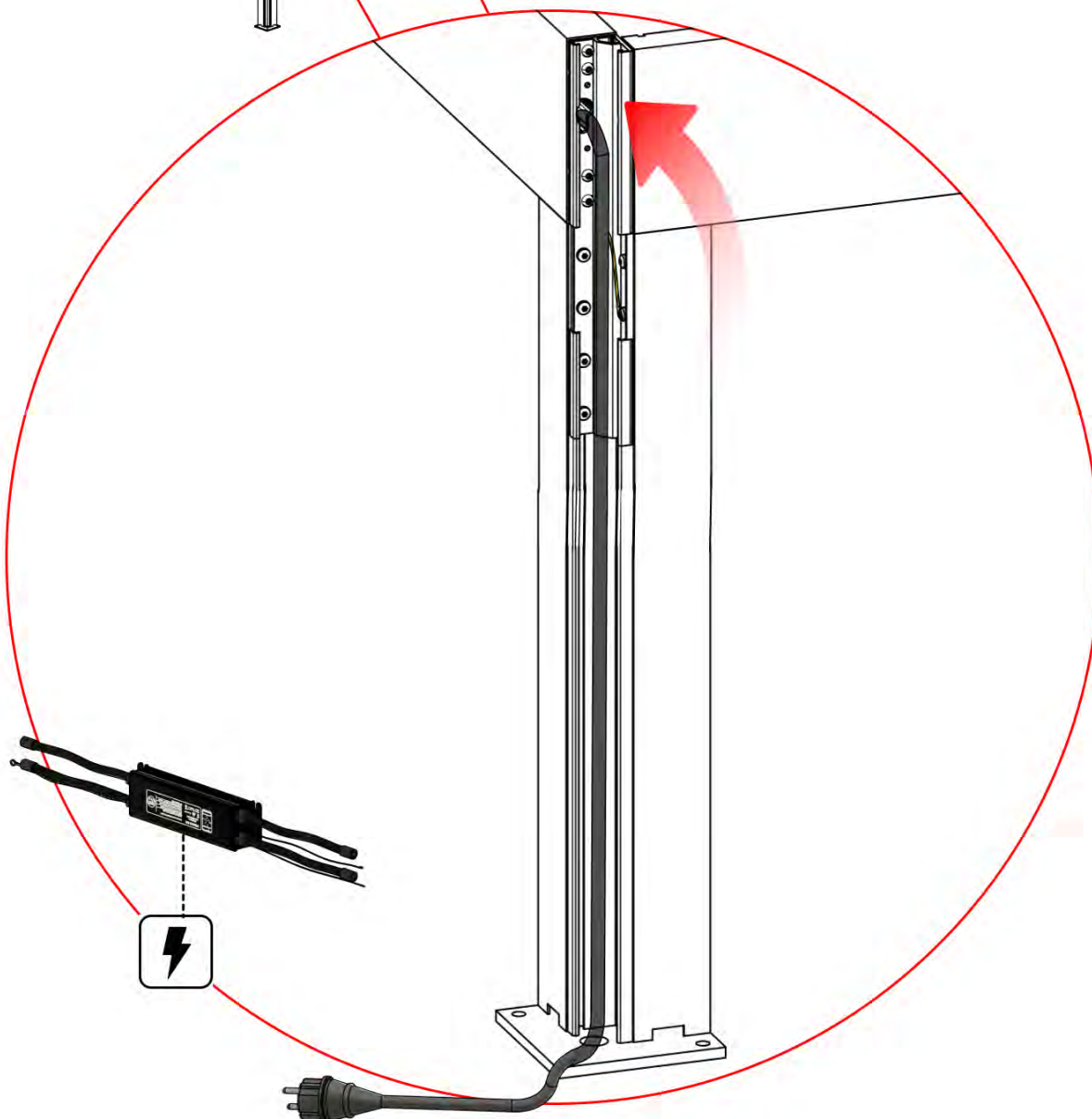
POWER CABLE



Power cable
PN-200003781
1x



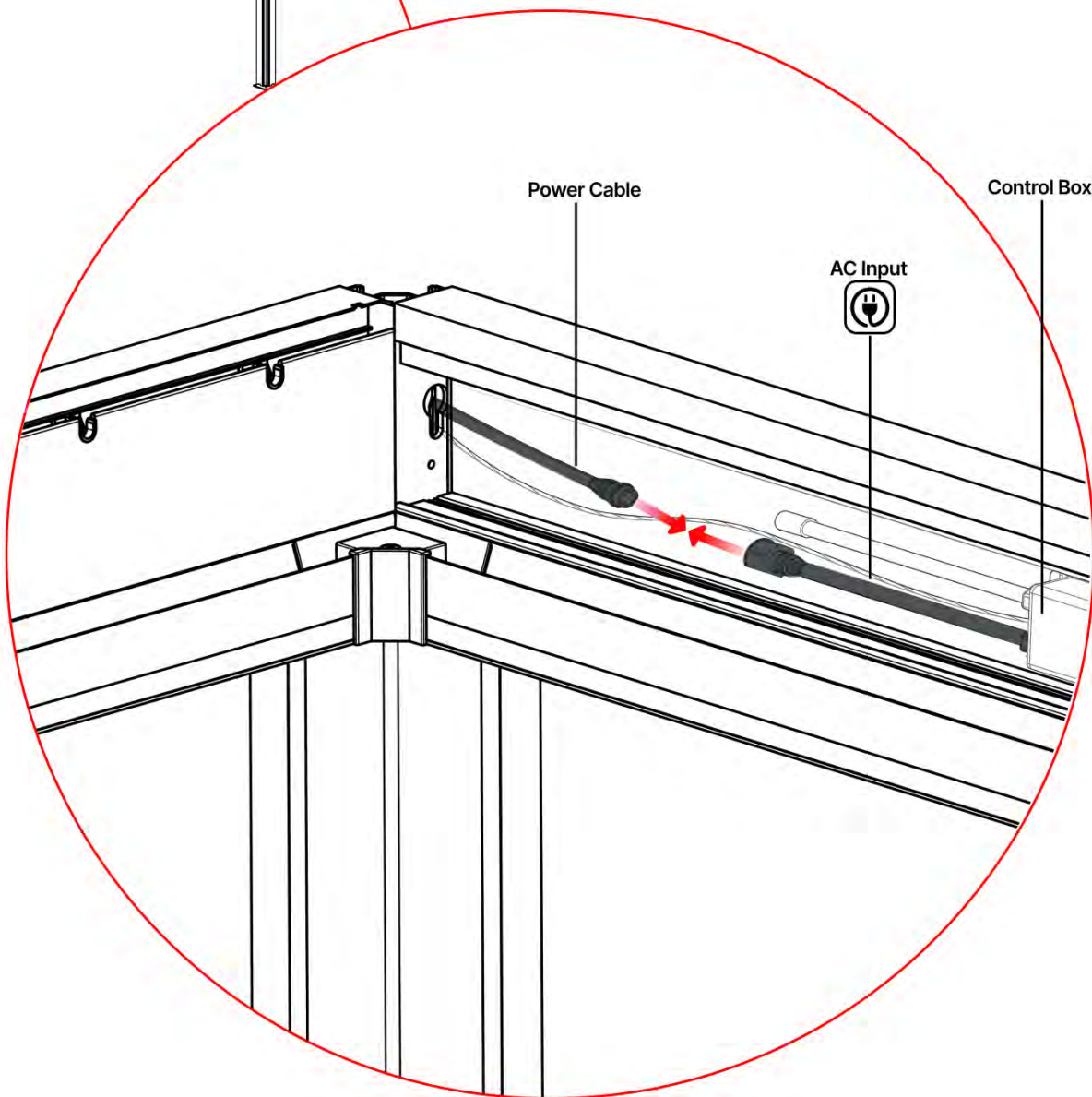
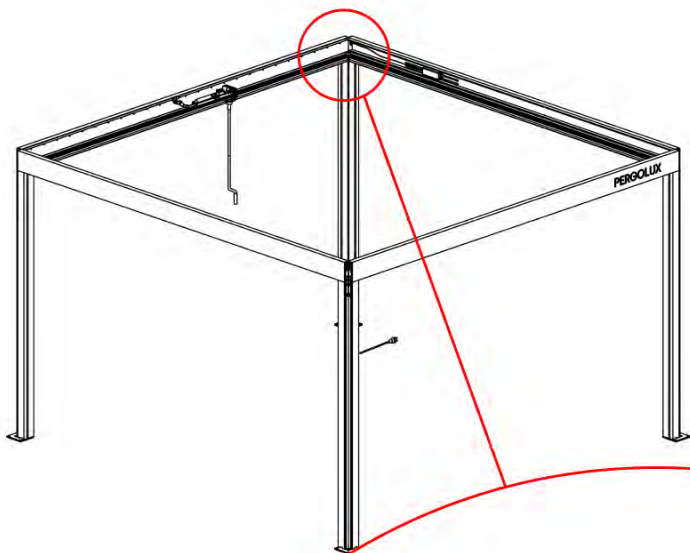
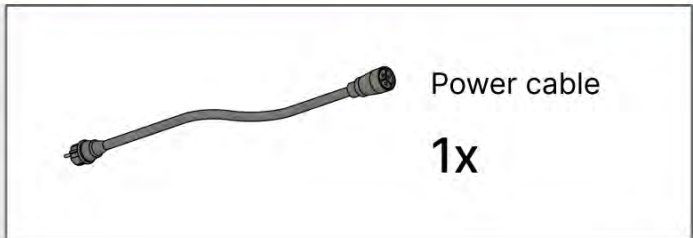
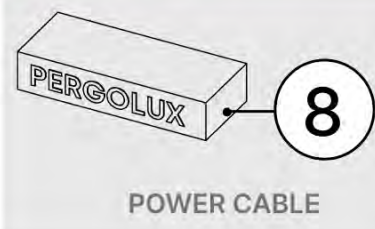
Power Cable can be
routed through all
the Poles.





** Only if you ordered LED lights to your pergola.

19





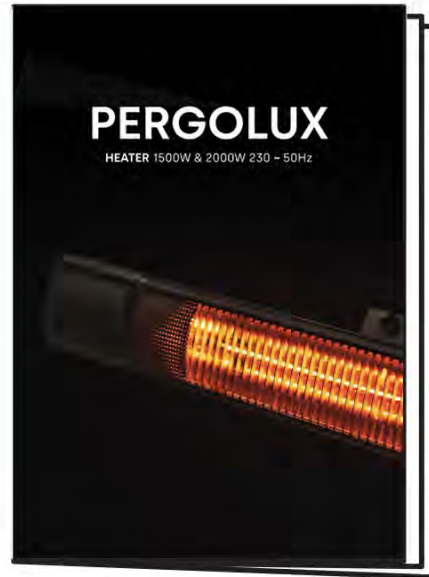
** Only if you ordered LED lights to your pergola.

20

1

If you are going to install a heater, do it now.

Follow the instructions in the heater assembly manual.



2

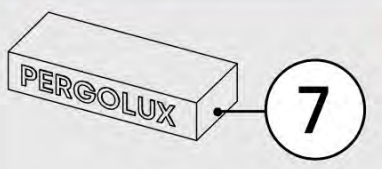
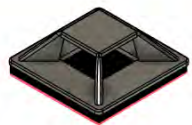

It's time to connect the motor and LED lights to the pergola control box.

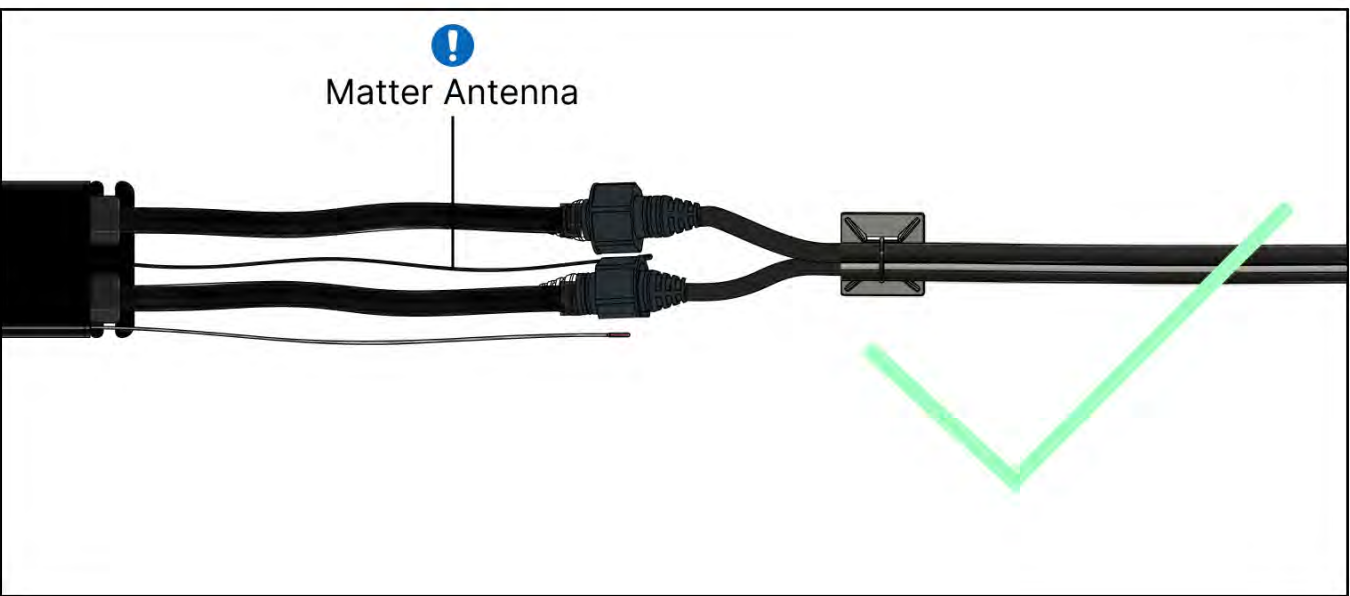
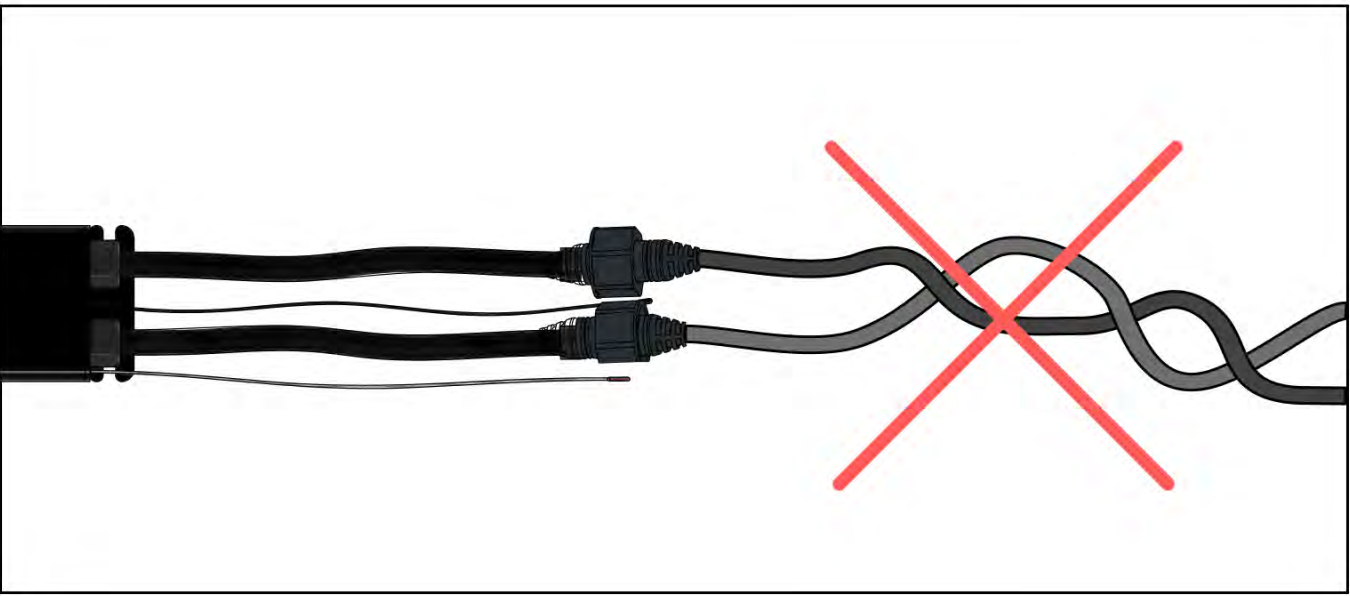
Follow the instruction in the assembly manual.



! ** Only if you ordered LED lights to your pergola.

21

 <p>PERGOLUX CONTROL BOX</p>	<p>S4</p>  <p>PN-200002683 5x</p>  <p>PN-200002684 10x</p>
<p>! Keep the Matter Antenna wire free and do not tie them with LED and Motor wire</p>	

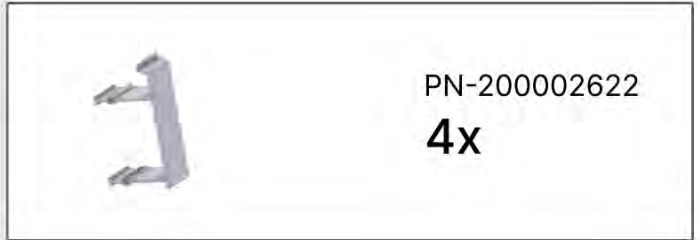


22



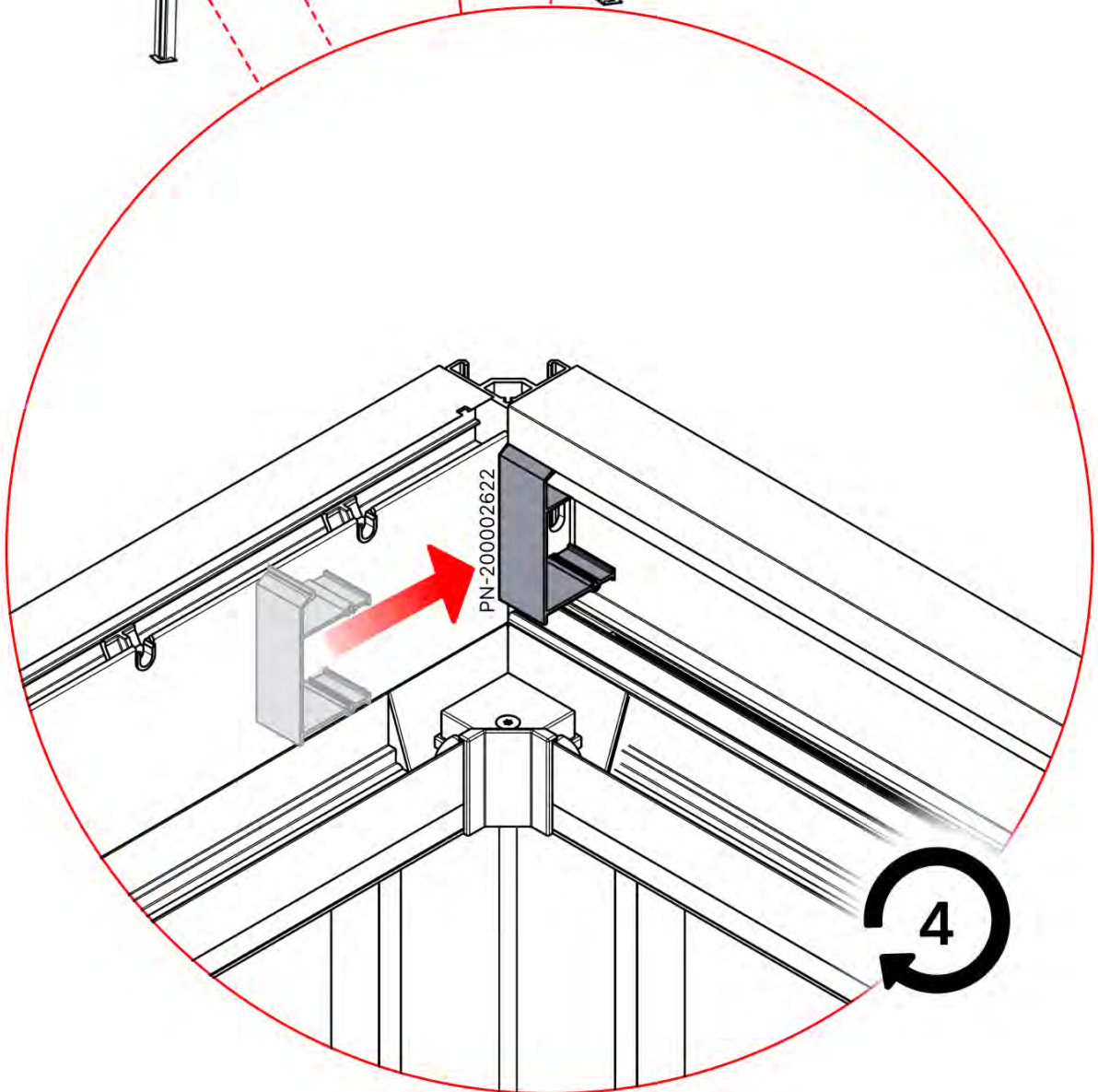
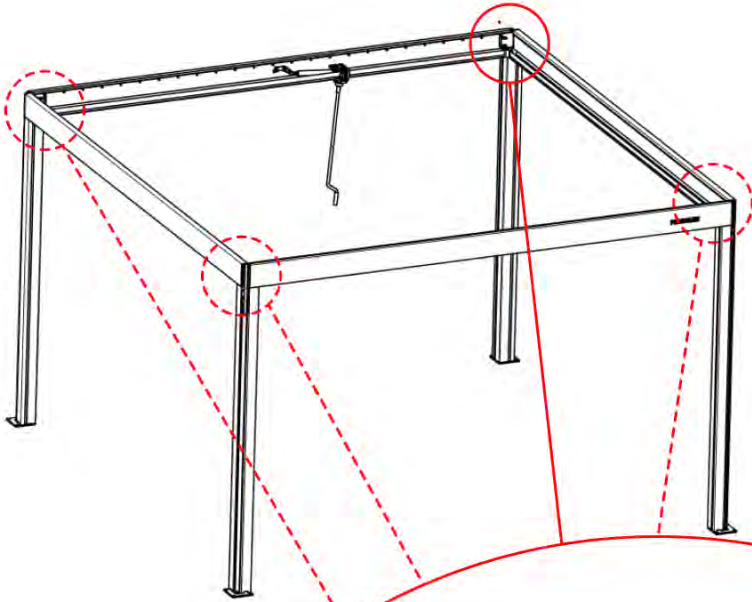
4

ANTHRACITE: B280
WHITE: B195
BLACK: B192

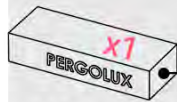


PN-200002622

4x

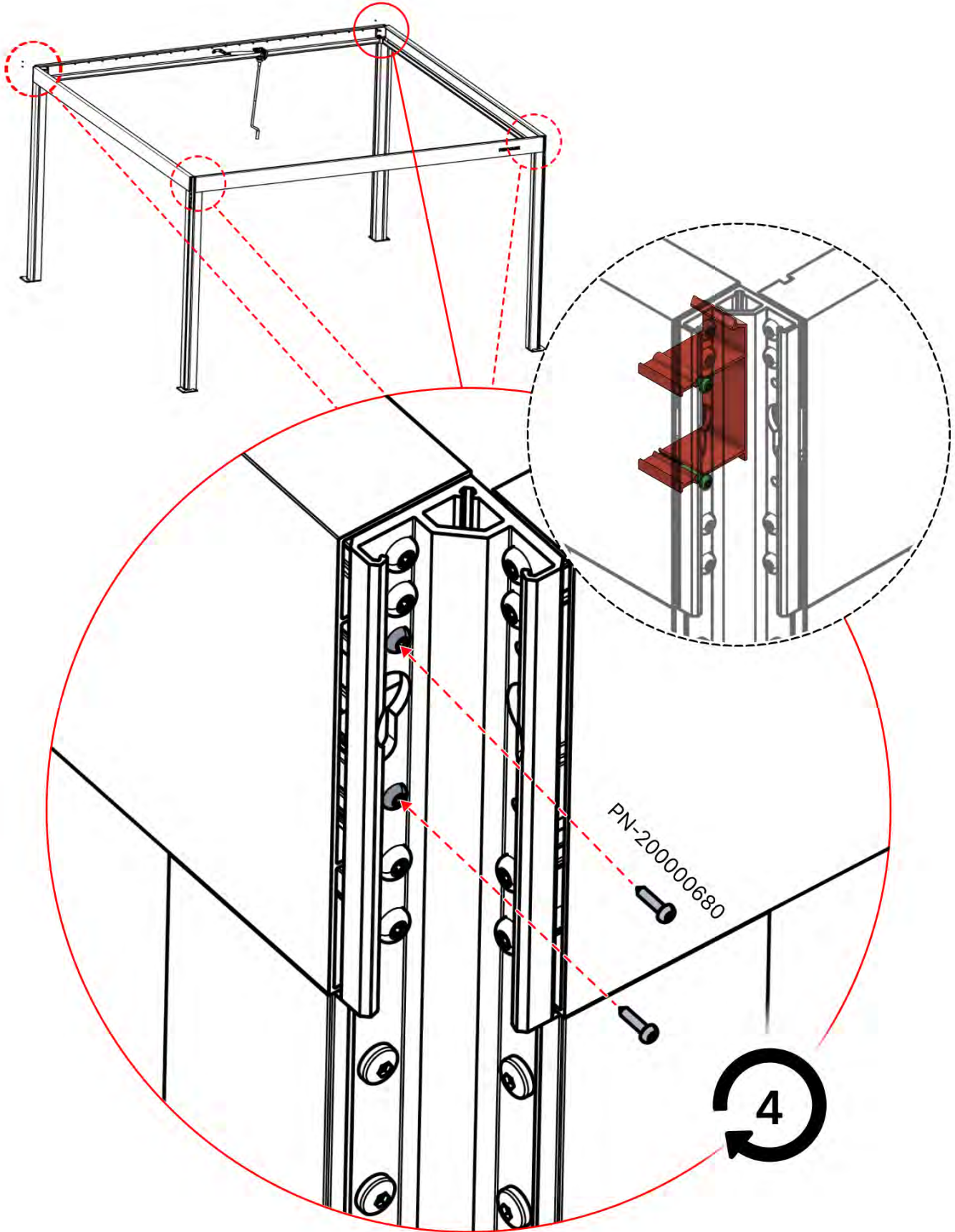


23

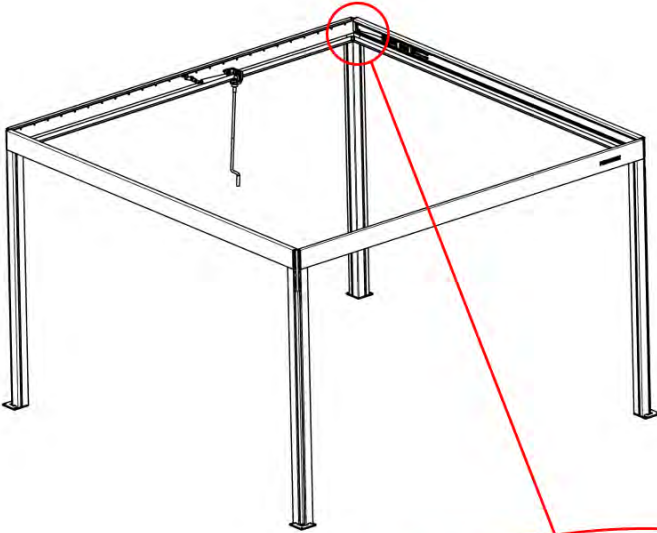



4

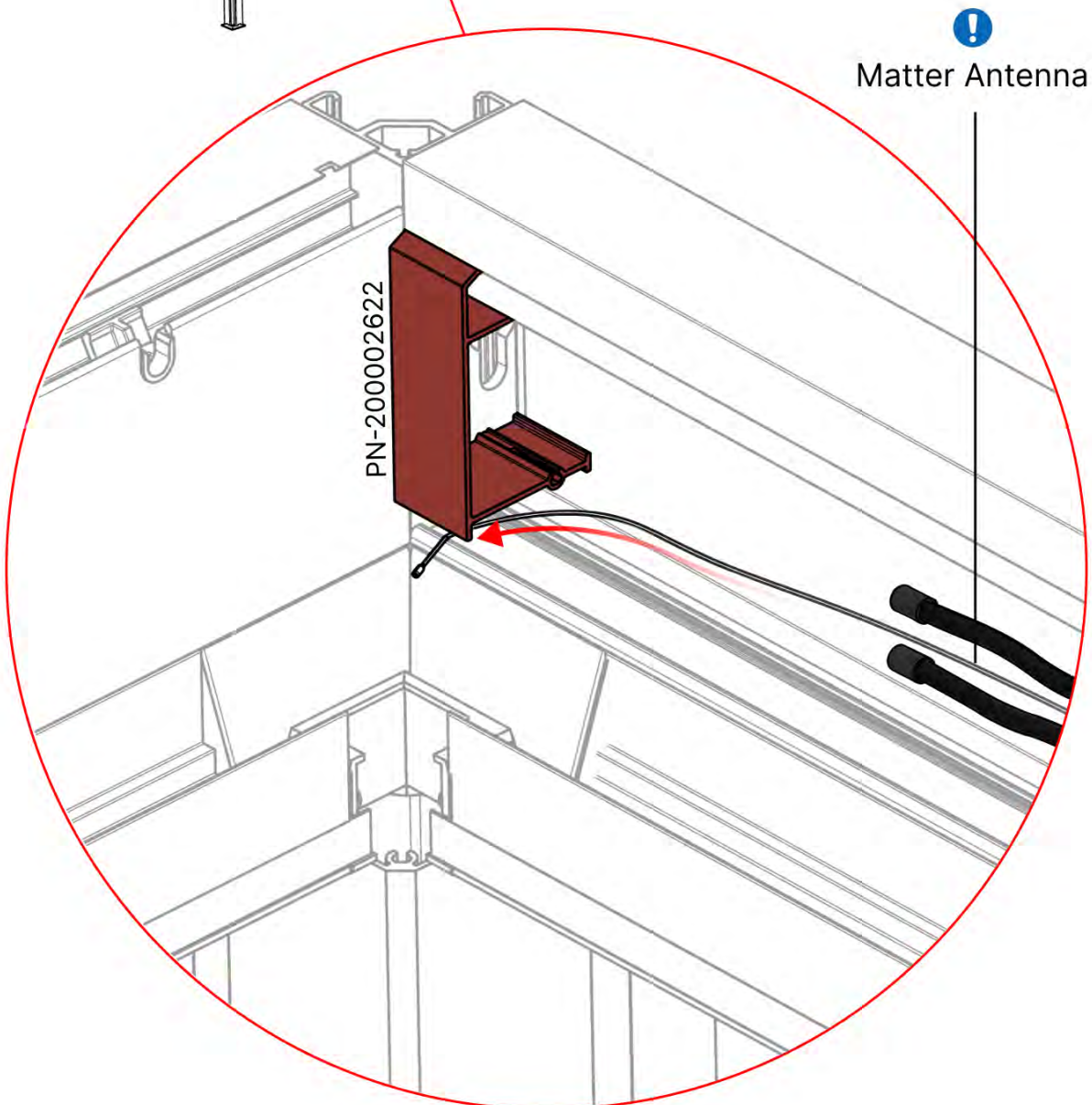
ANTHRACITE: B280
WHITE: B195
BLACK: B192



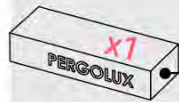
24




Route the Matter
Antenna and place it
below the highlighted
part(PN-200002622).

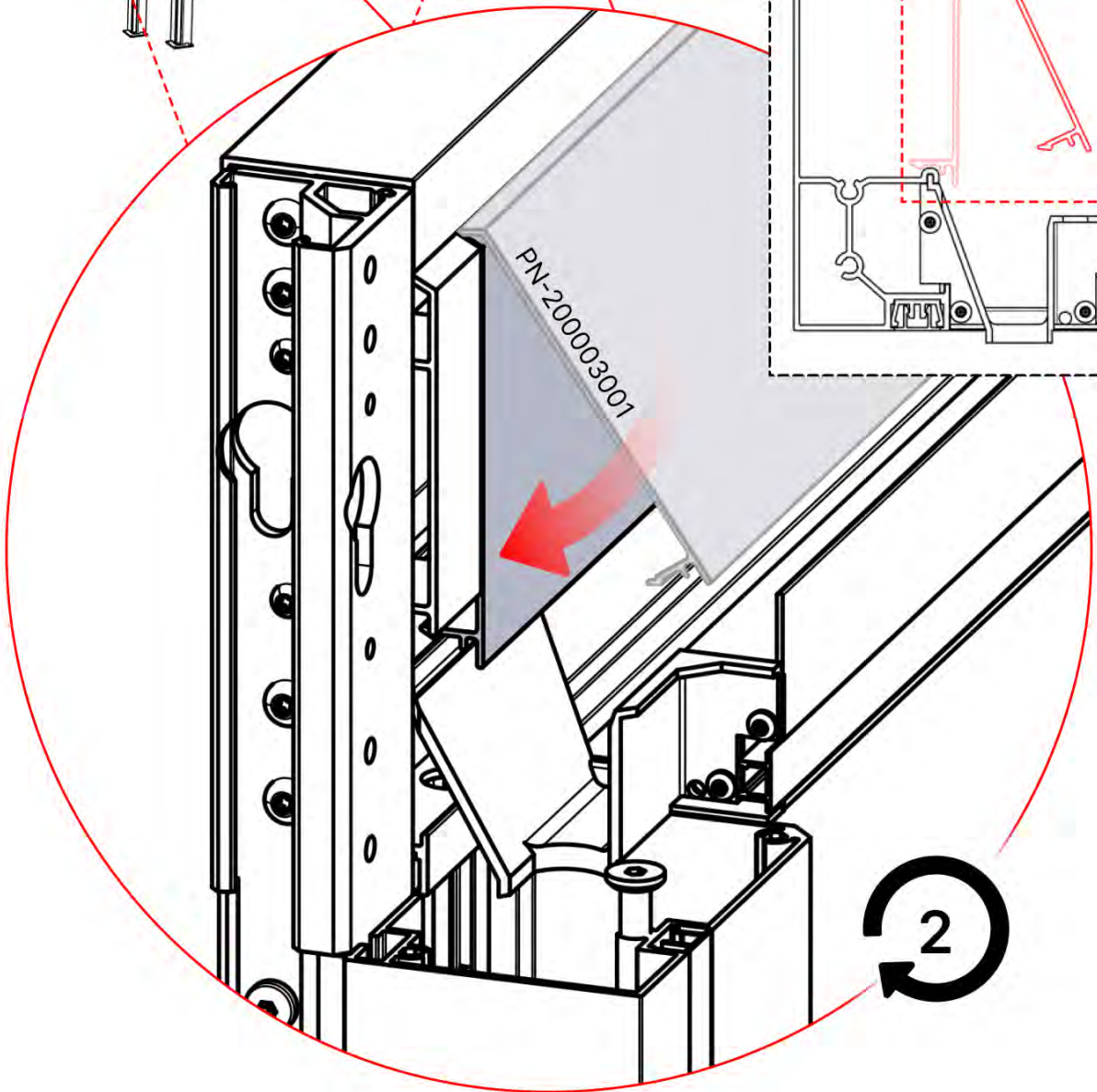
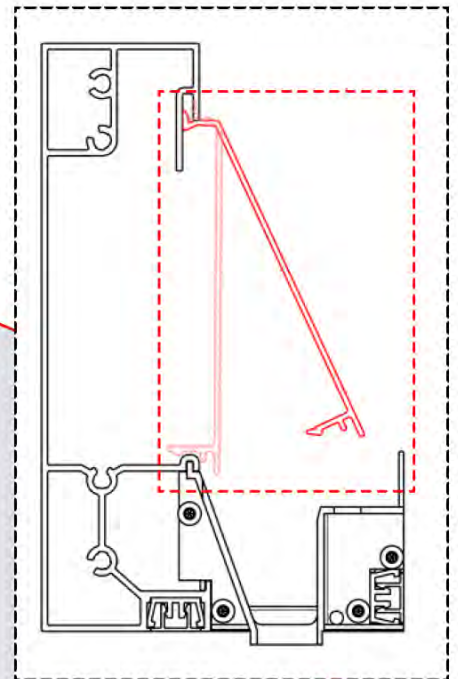
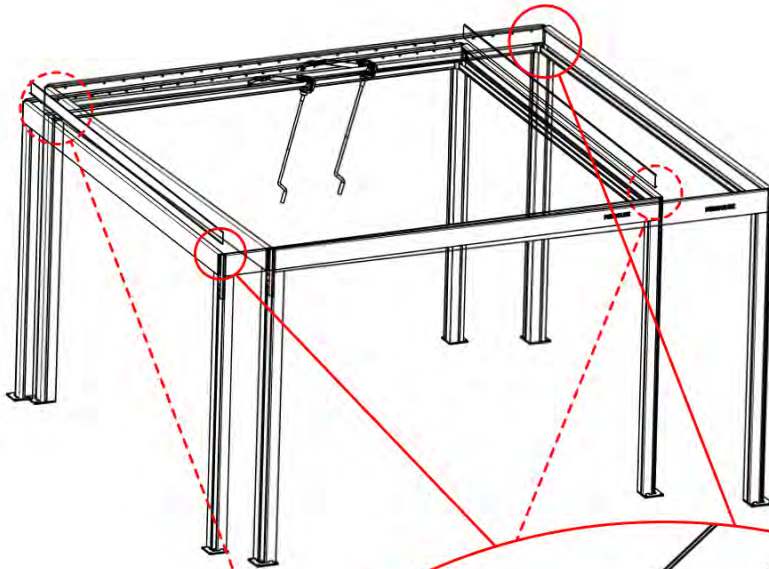
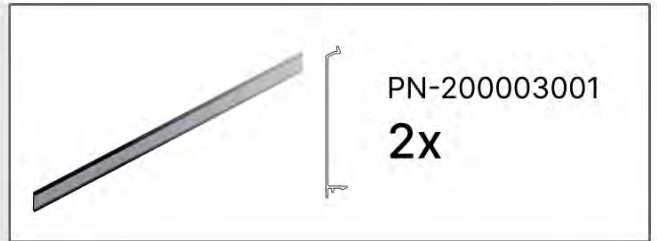


25

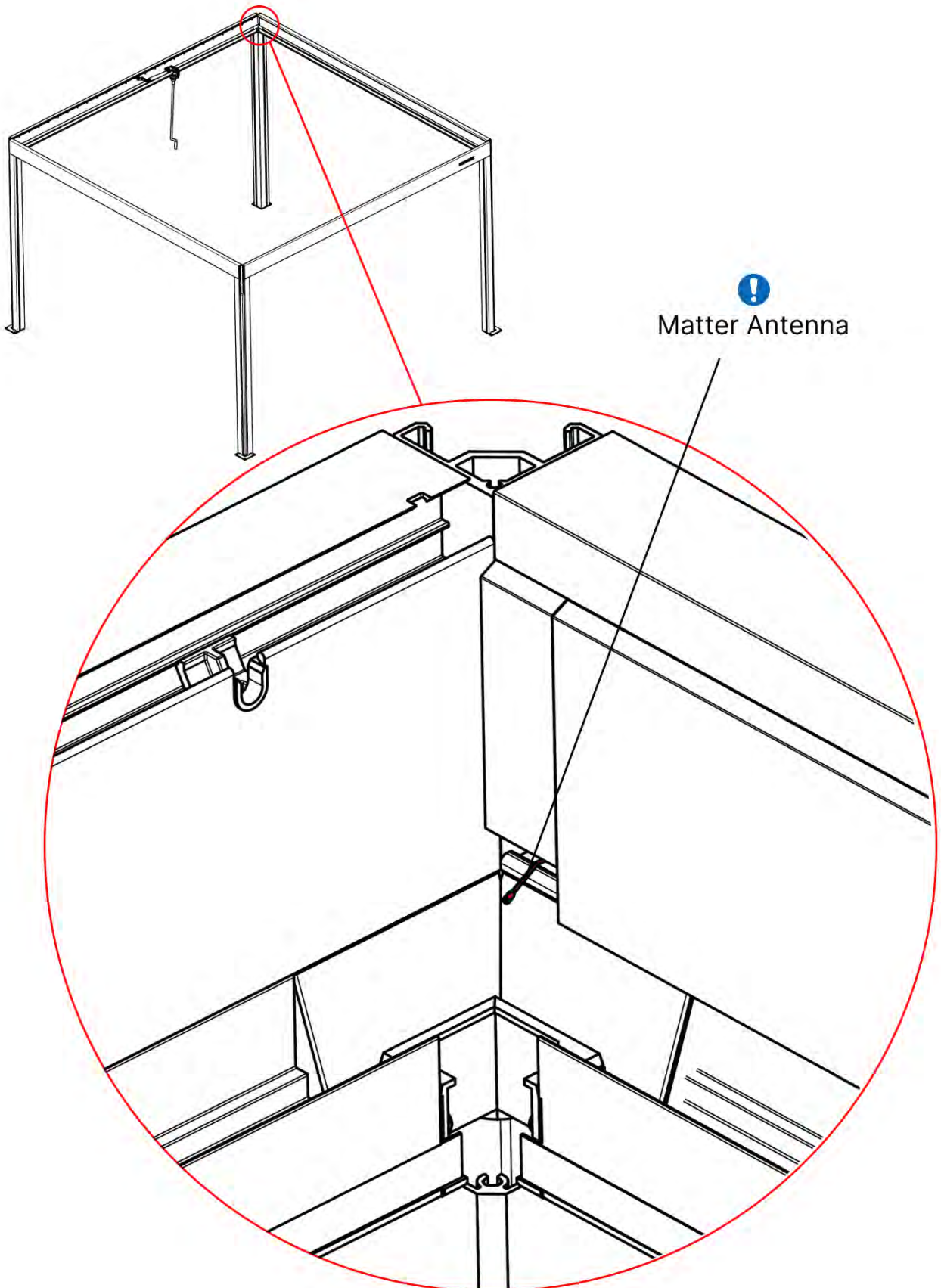


3

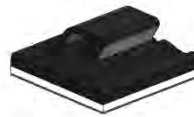
ANTHRACITE: B209
WHITE: B213
BLACK: B211



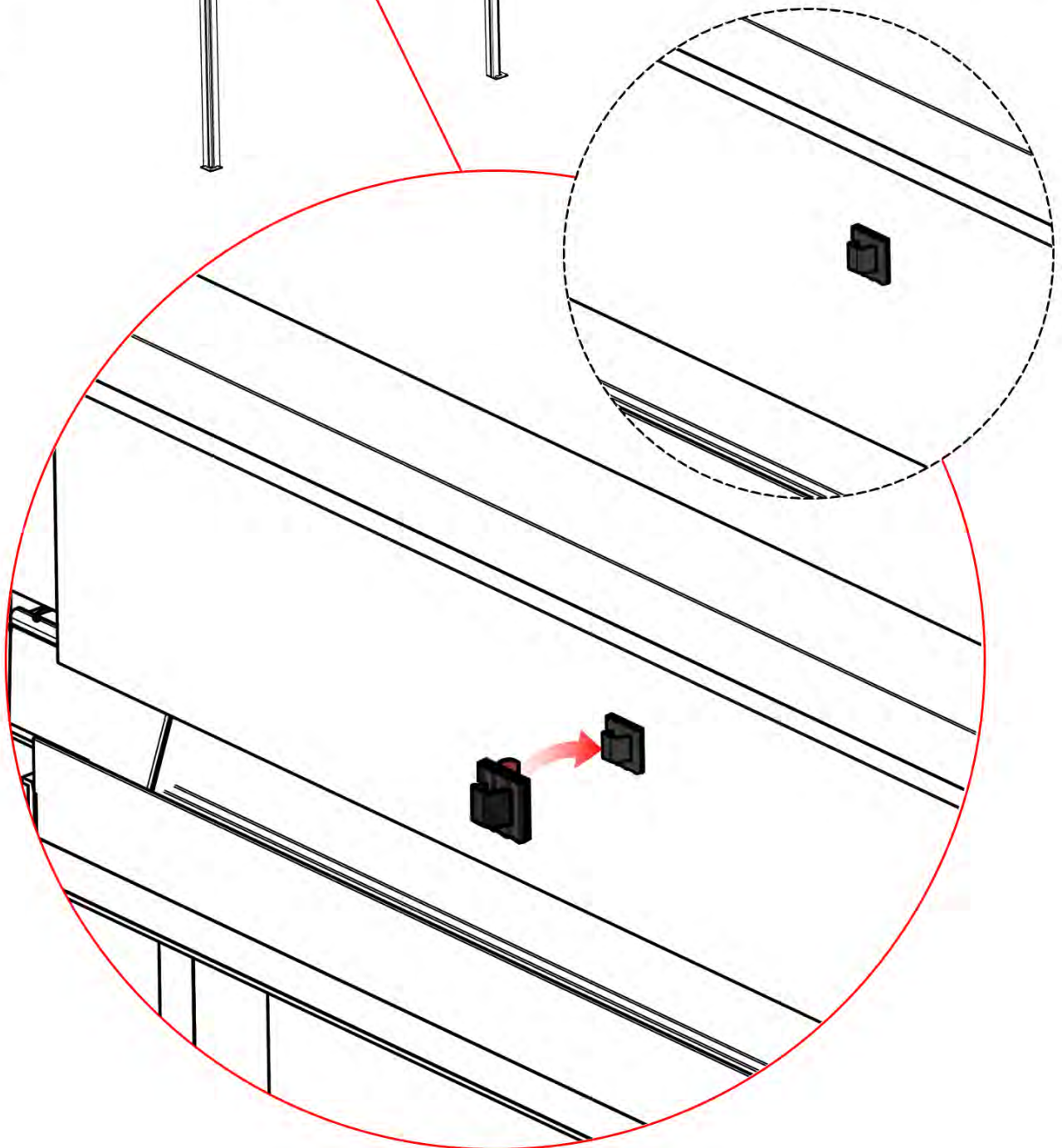
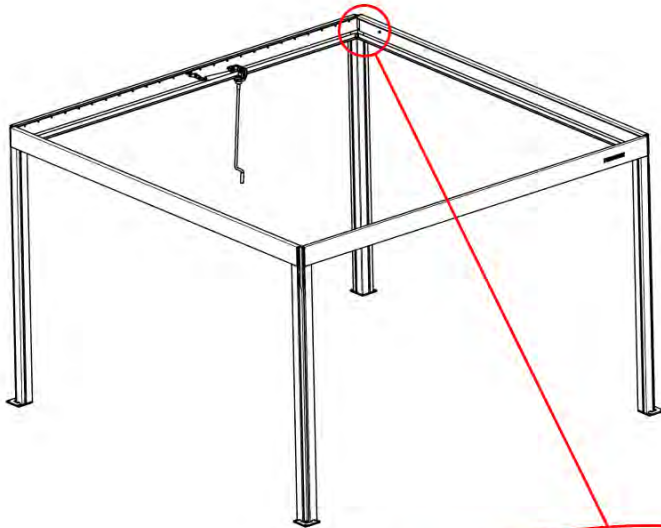
INFORMATION

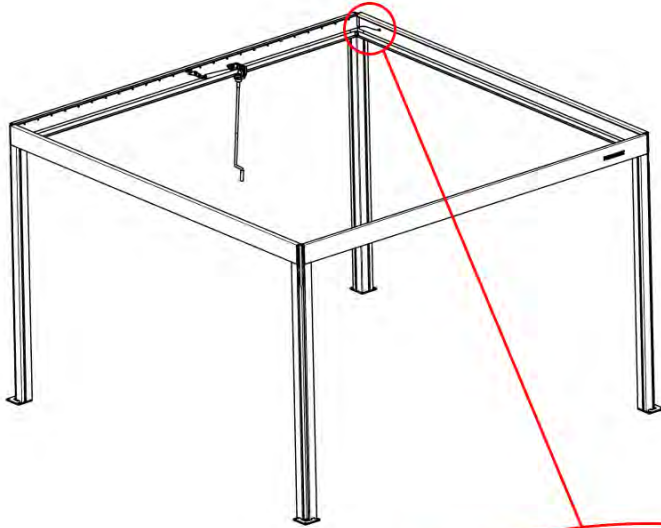


26

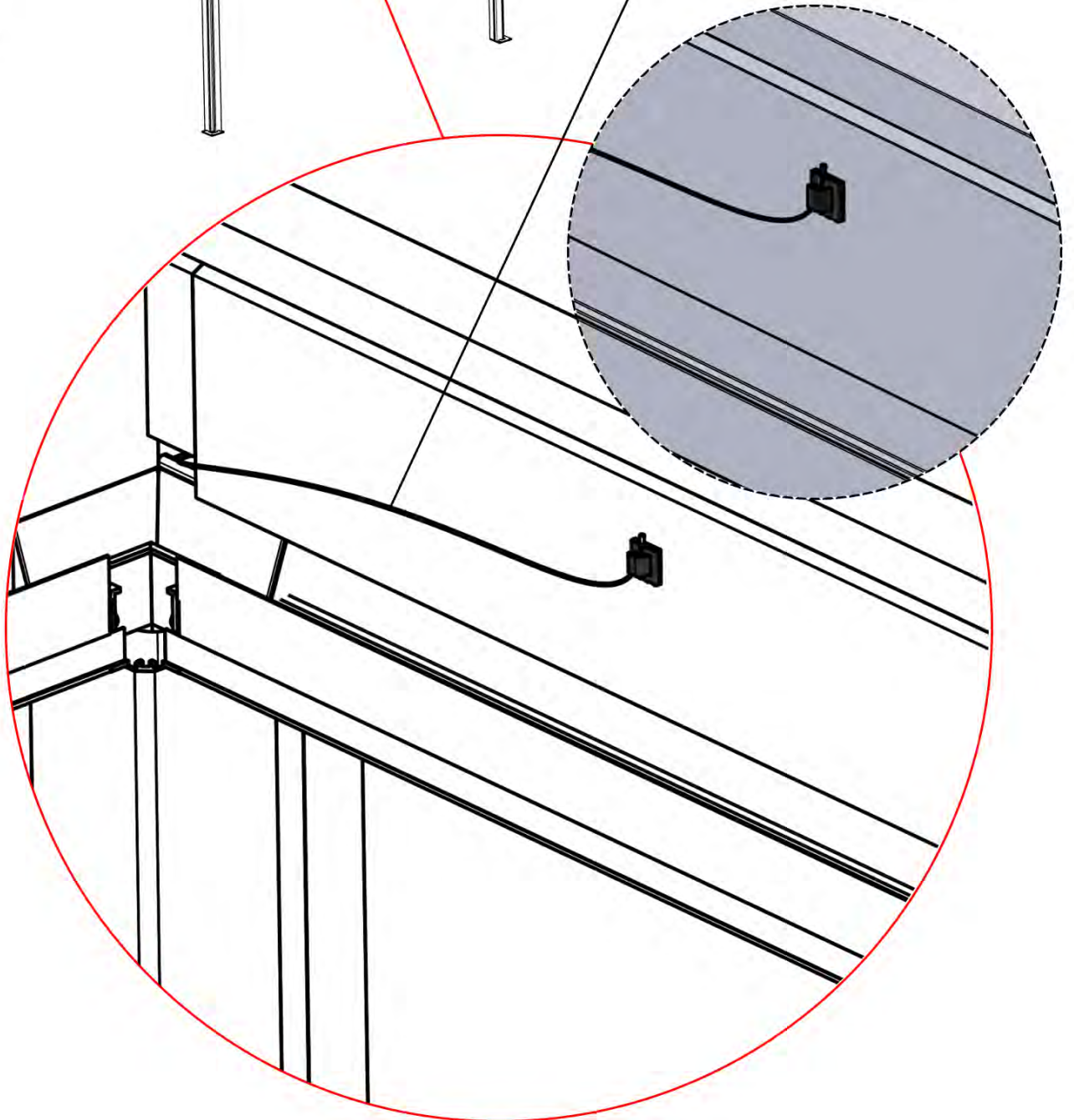


Matter Antenna Clip
1x

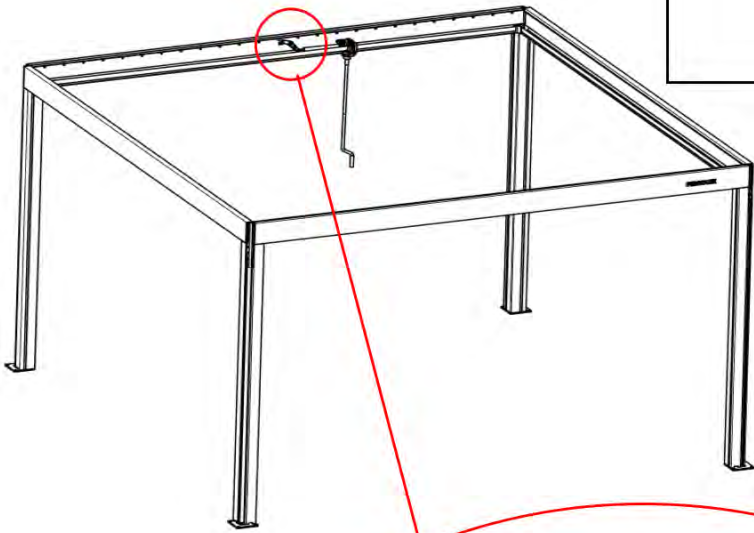
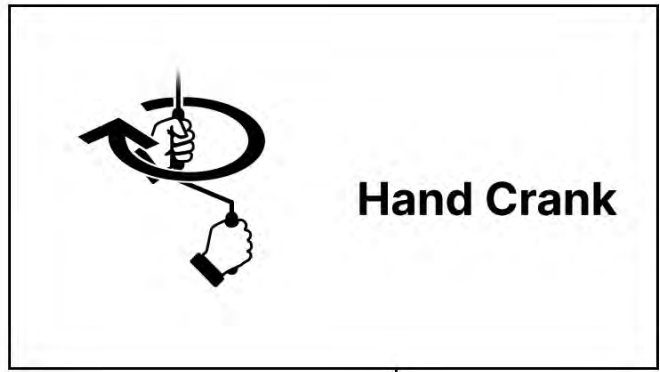




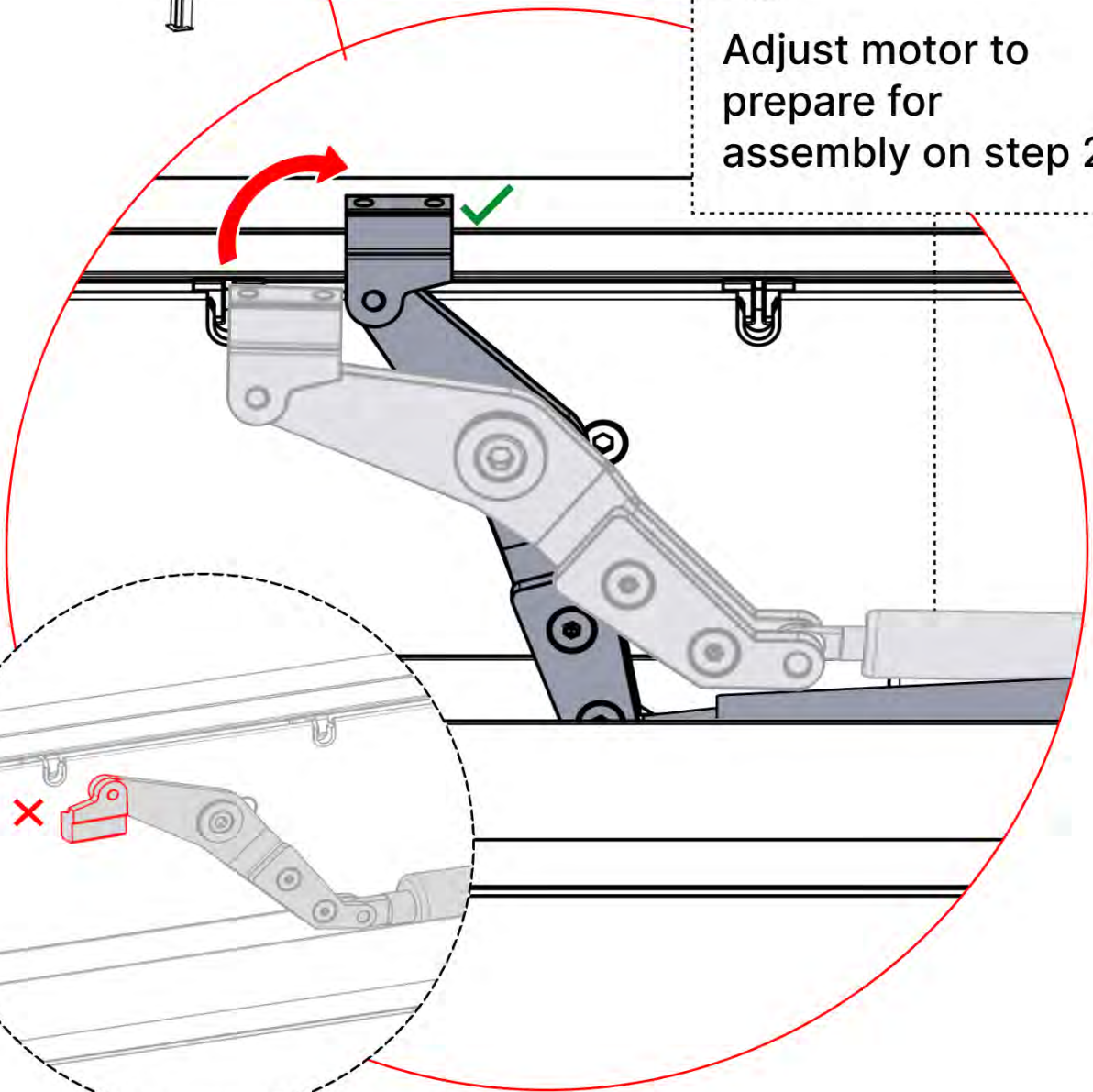
Matter Antenna



28



Adjust motor to prepare for assembly on step 29

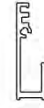


29



4

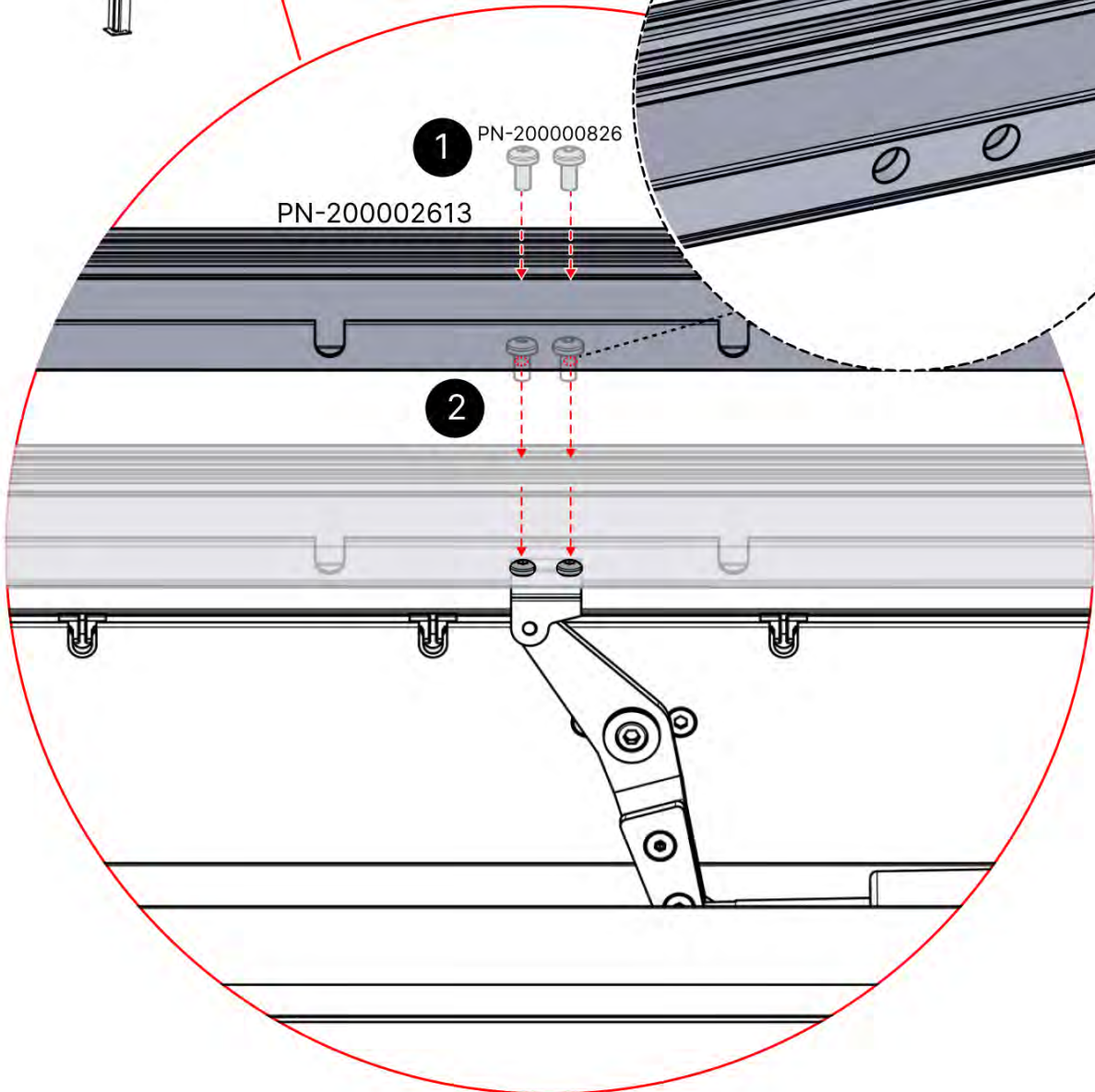
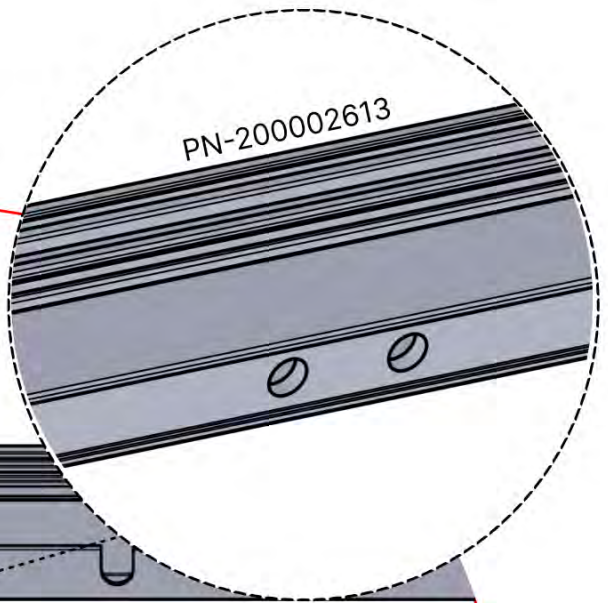
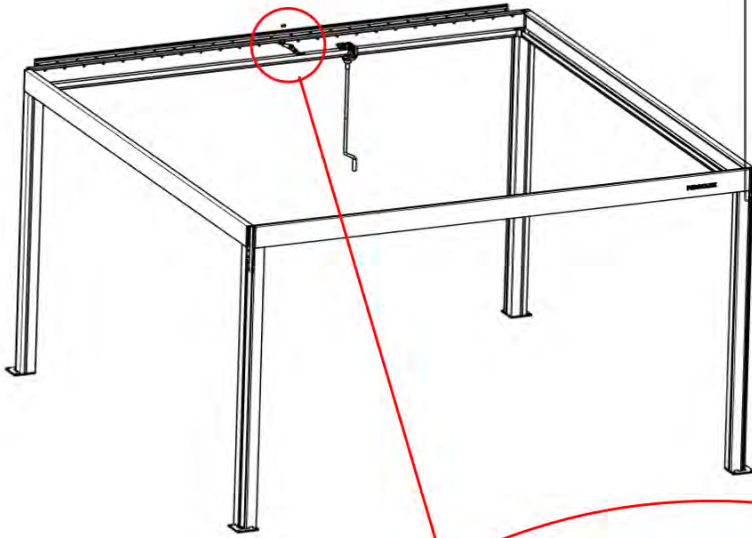
ANTHRACITE: B280
WHITE: B195
BLACK: B192



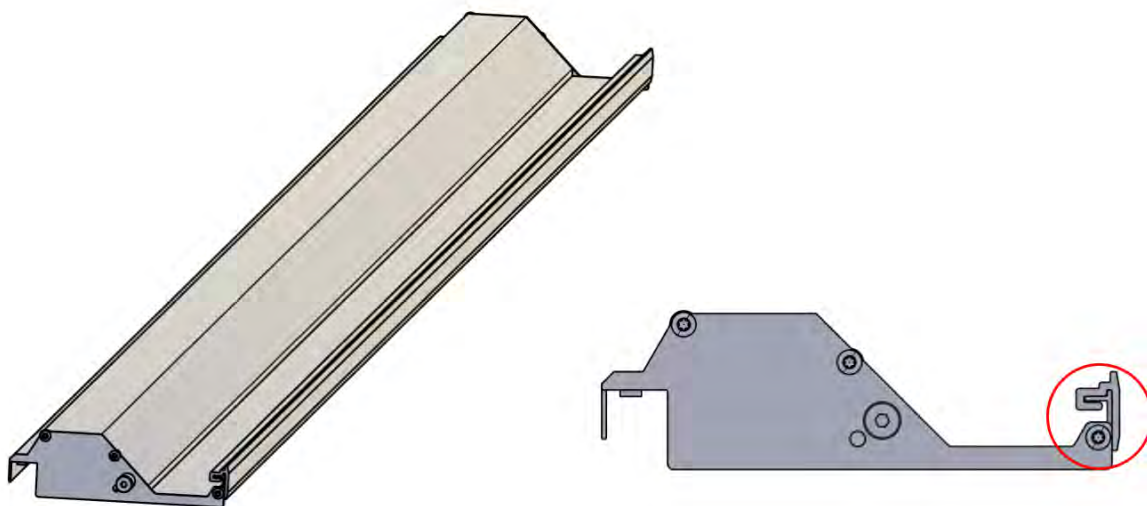
PN-200002613
1x



PN-200000826
2x



PERGOLA LOUVERS



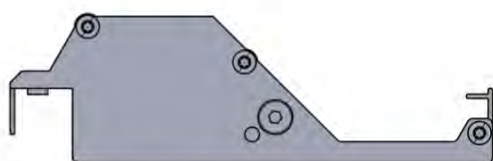
x7
PERGOLUX

2

ANTHRACITE: B204
WHITE: B208
BLACK: B206

P.PERGOLA 4M FS END LOUVER
PN-200003003

1x



x4
PERGOLUX
PERGOLUX
PERGOLUX
PERGOLUX

1

ANTHRACITE: L192
WHITE: L196
BLACK: L194



x7
PERGOLUX

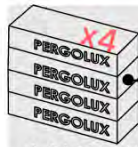
2

ANTHRACITE: B204
WHITE: B208
BLACK: B206

P.PERGOLA 4M FS LOUVER
PN-200003004

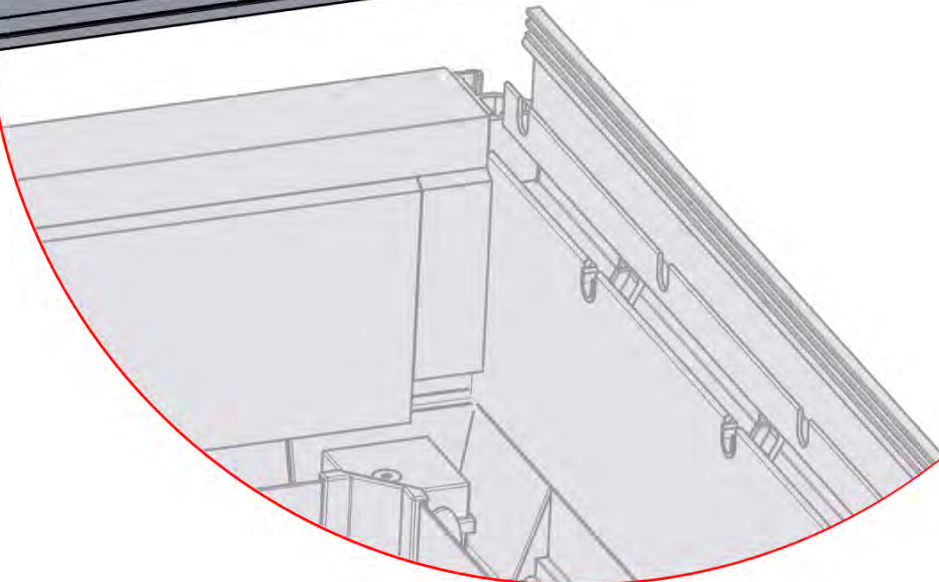
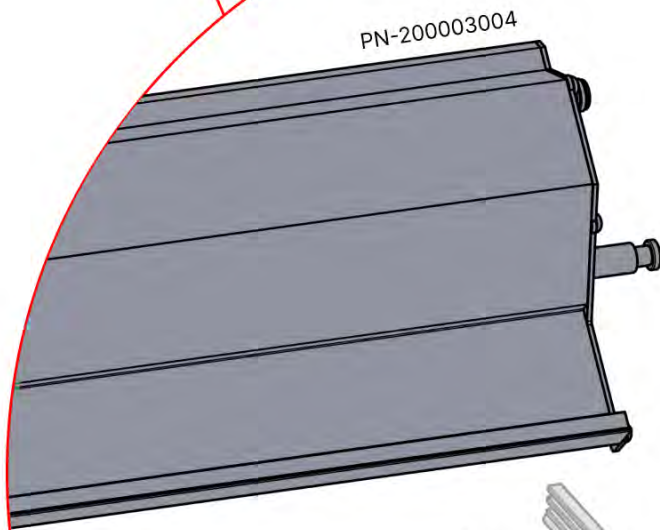
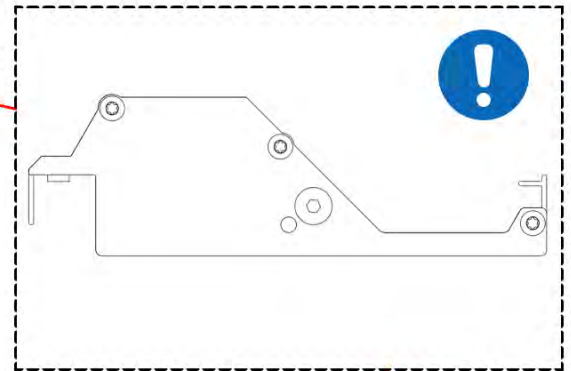
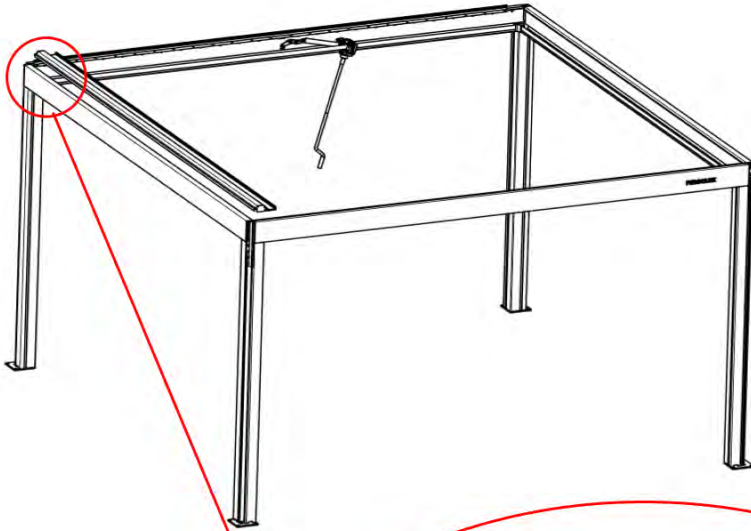
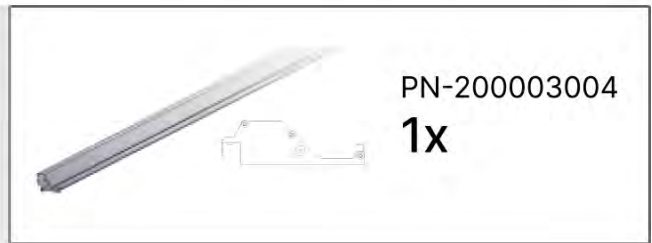
30x

30



1

ANTHRACITE: L192
WHITE: L196
BLACK: L194



31

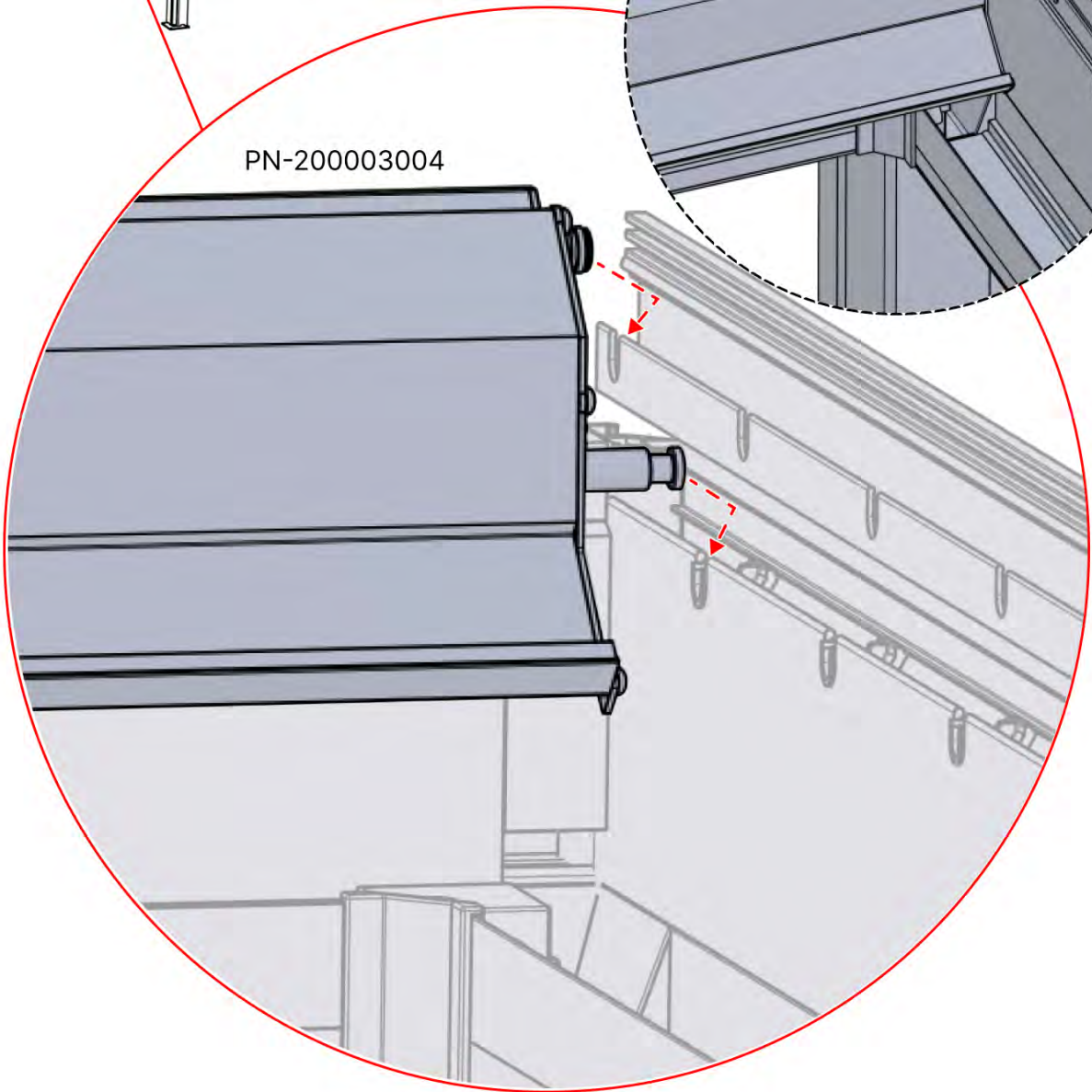
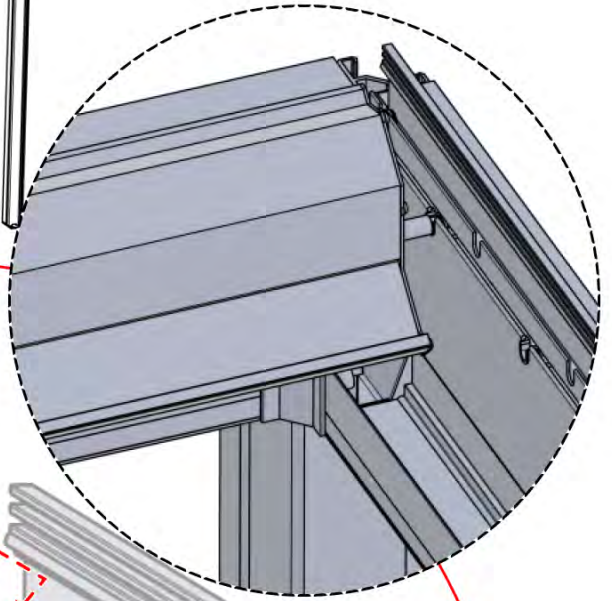
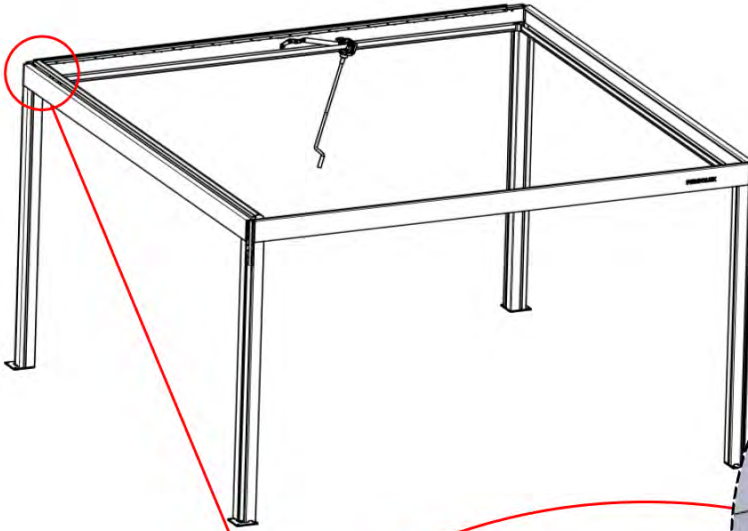
x4
PERGOLUX
PERGOLUX
PERGOLUX
PERGOLUX

1

ANTHRACITE: L192
WHITE: L196
BLACK: L194



PN-200003004
1x

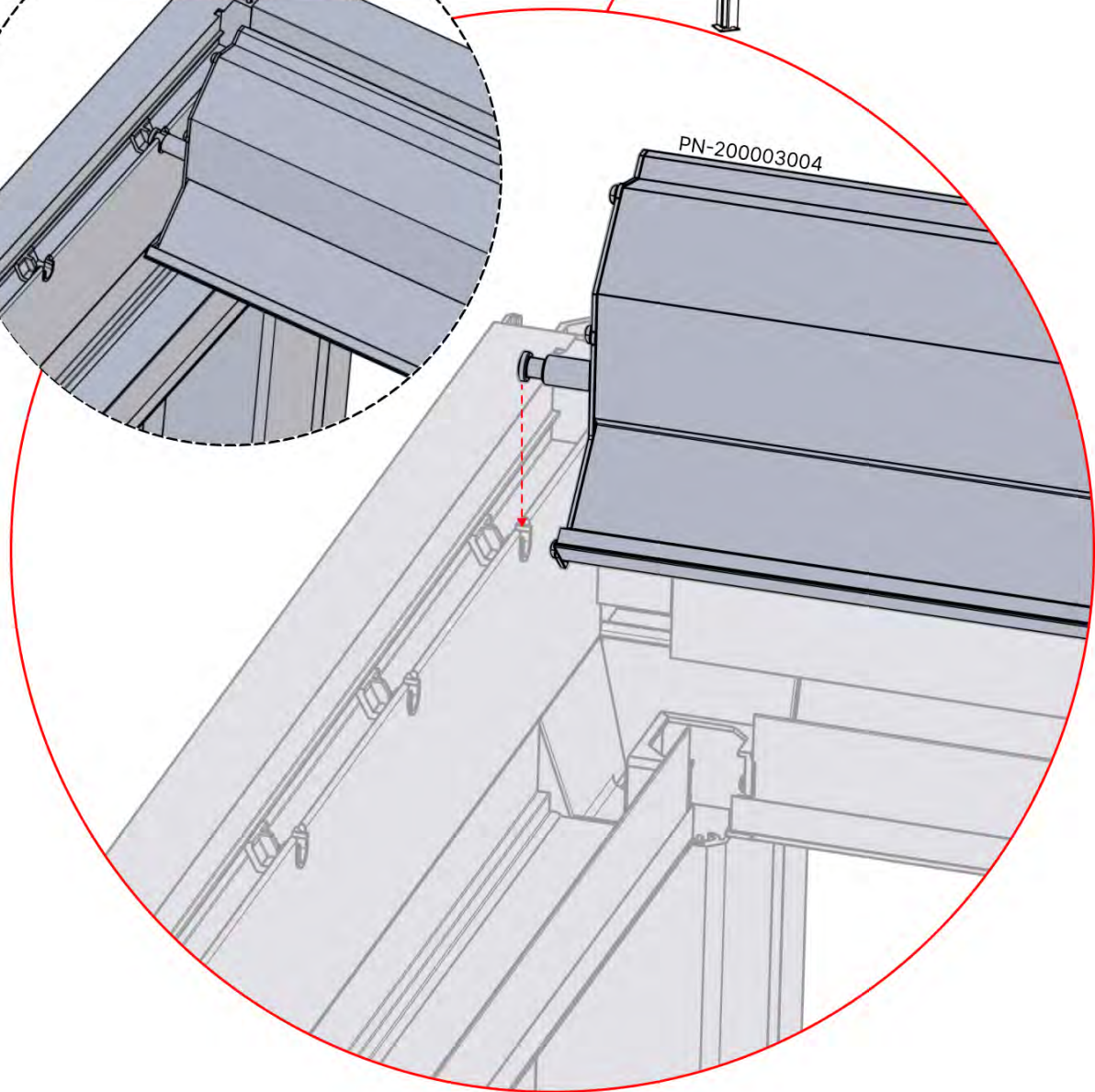
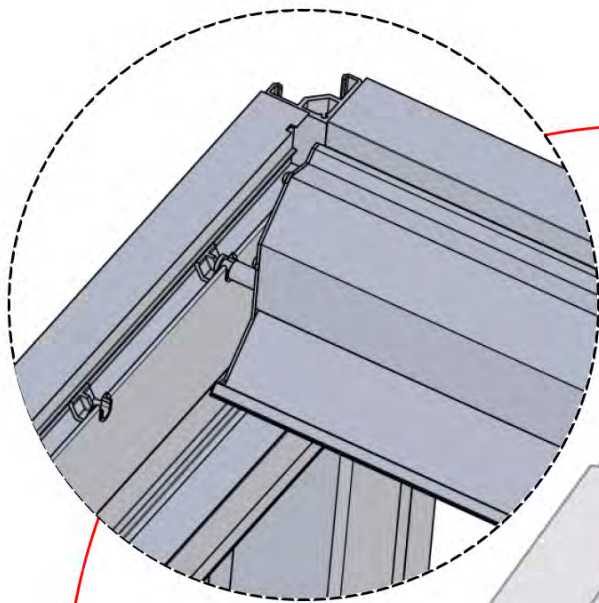
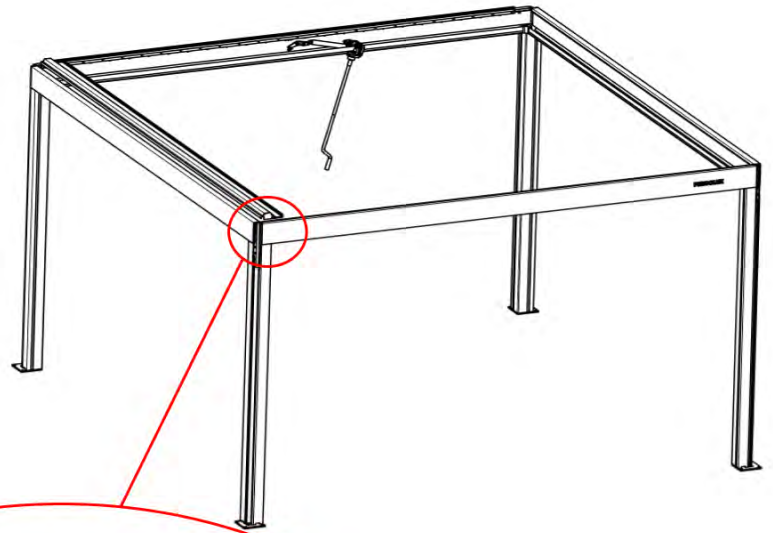
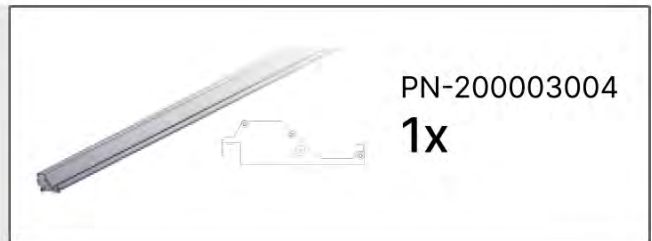


32



1

ANTHRACITE: L192
WHITE: L196
BLACK: L194



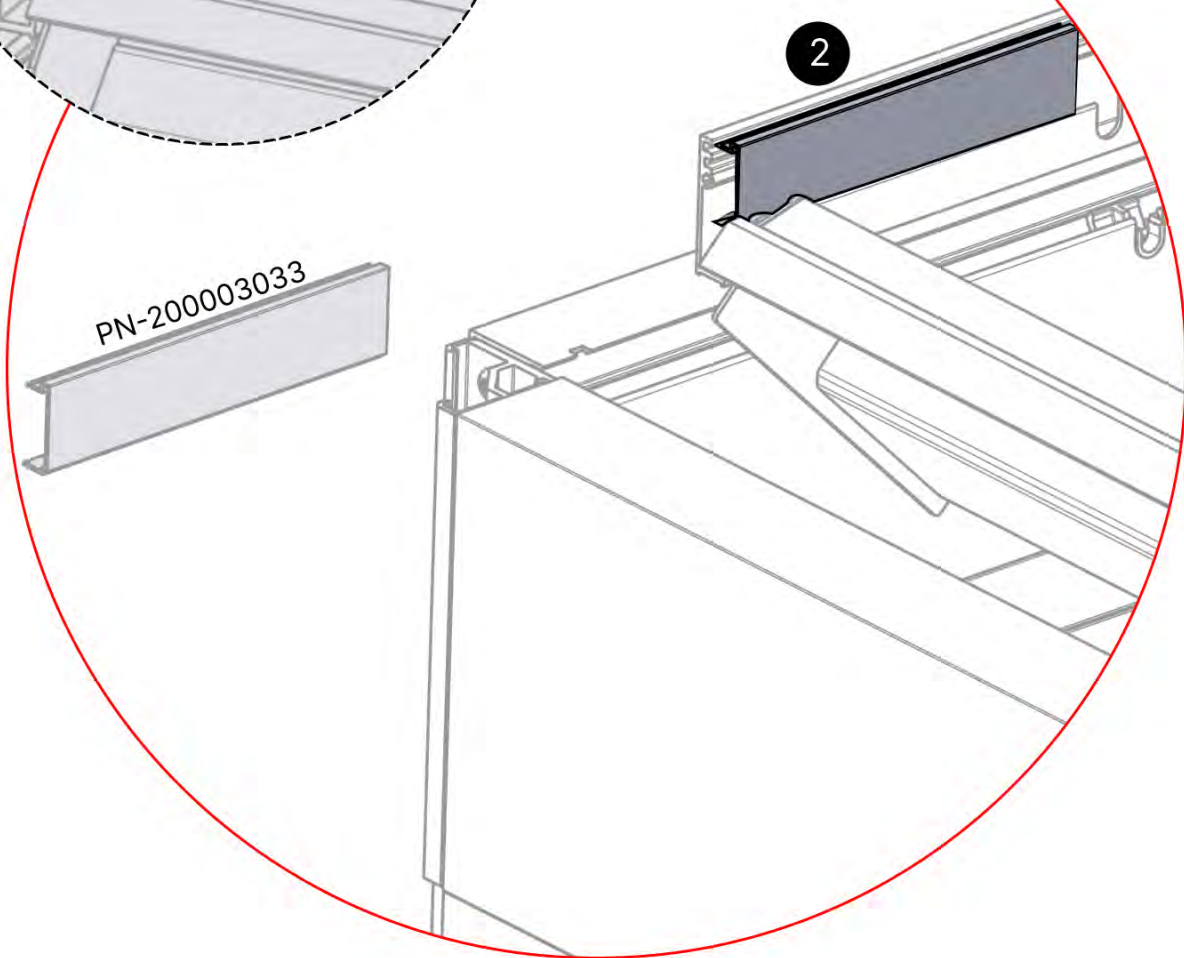
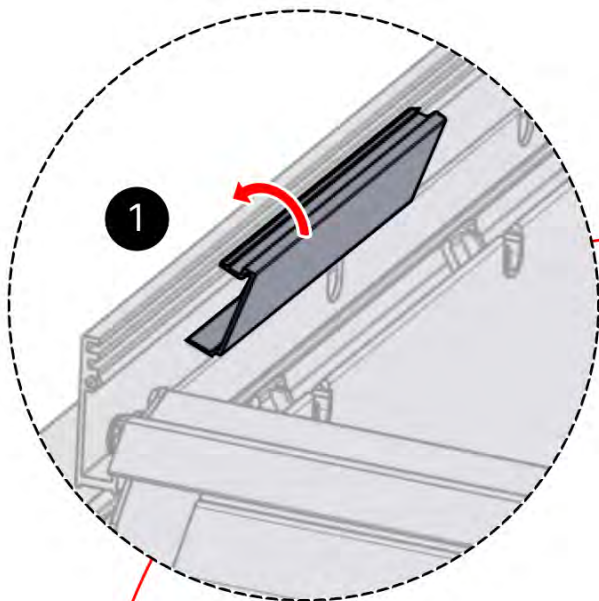
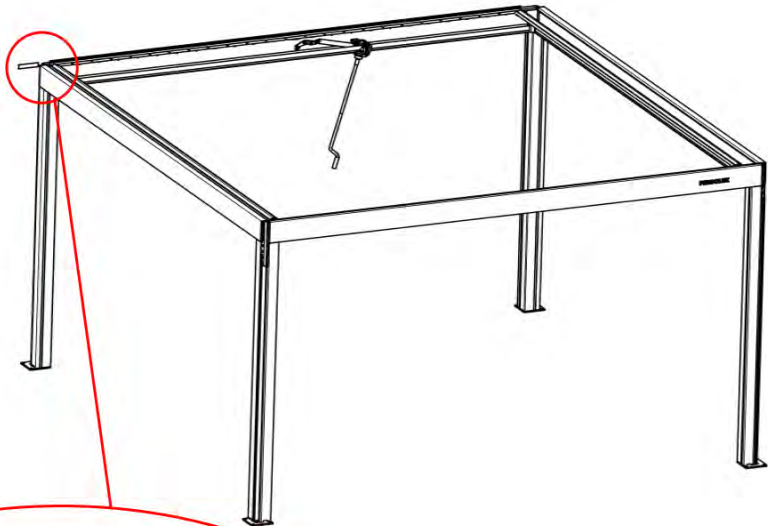
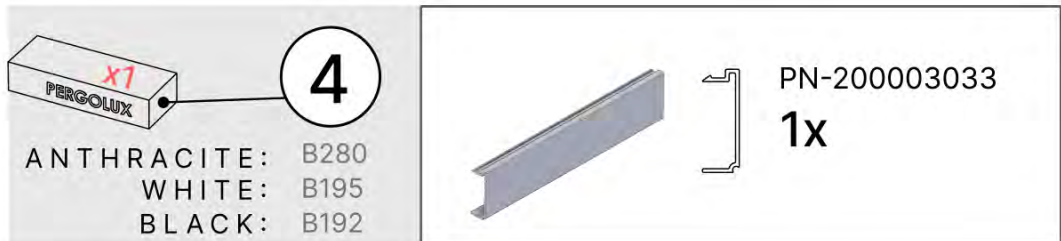
33

4

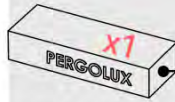
x1
PERGOLUX

ANTHRACITE: B280
WHITE: B195
BLACK: B192

PN-200003033
1x

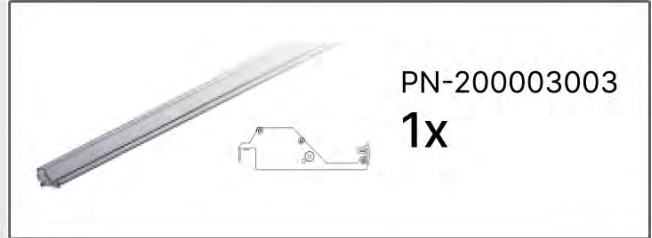


34

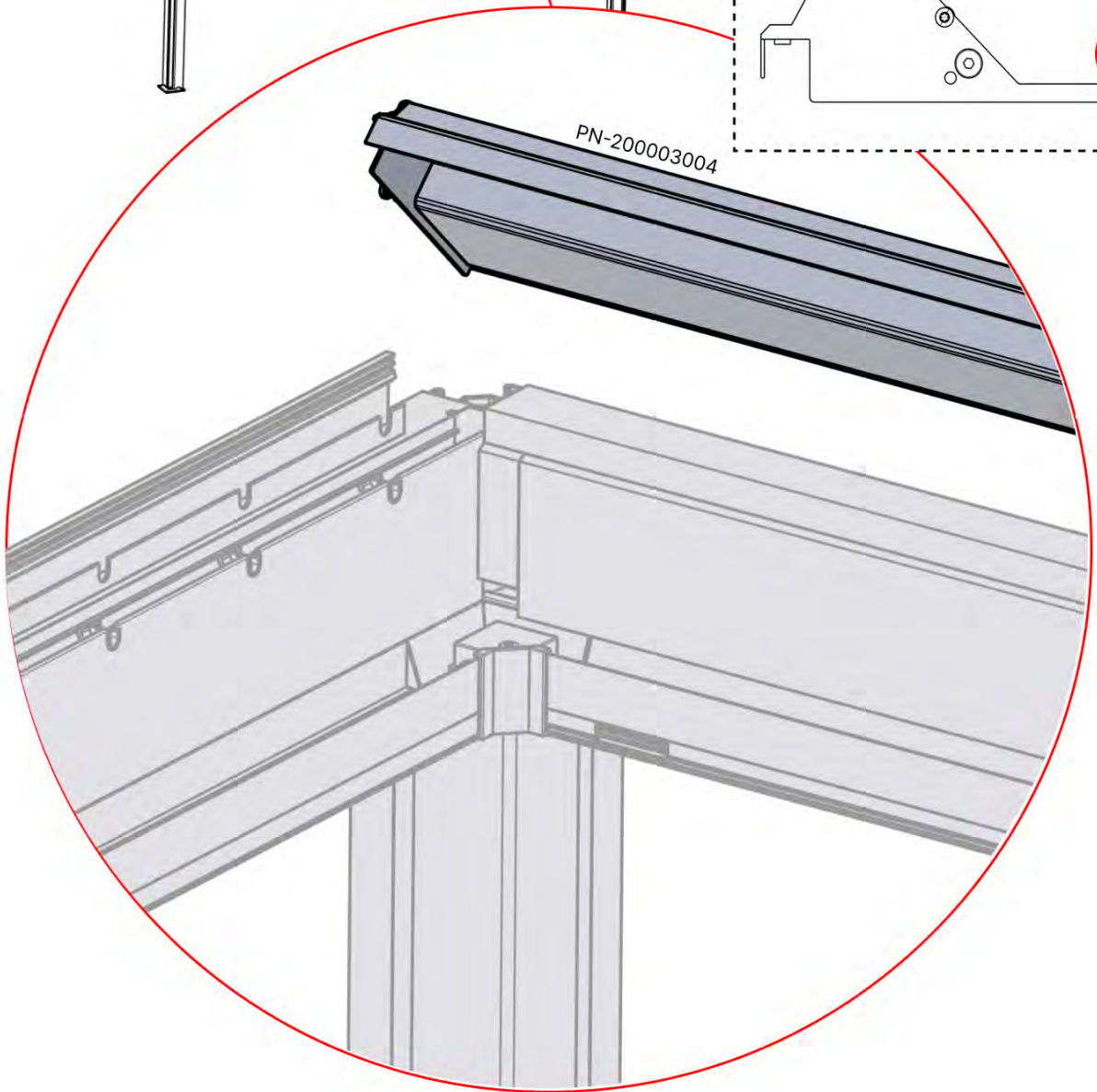
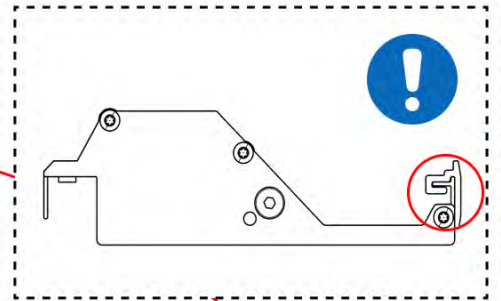
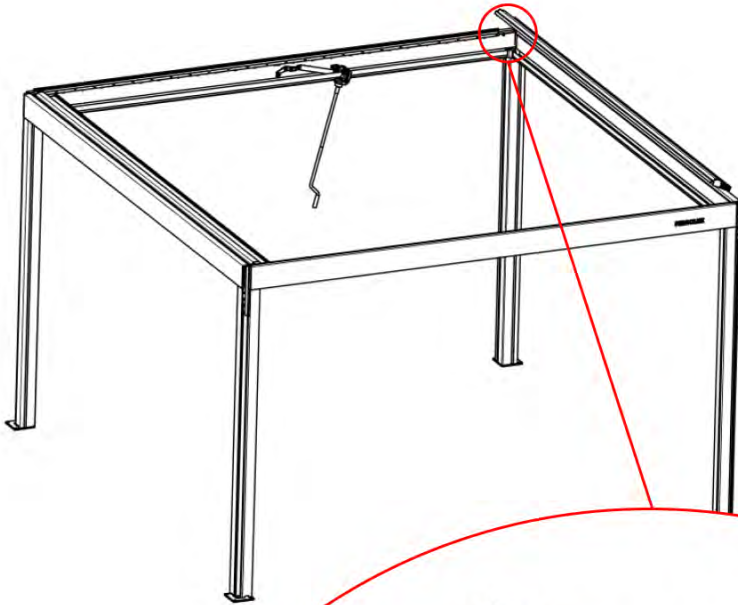


2

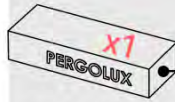
ANTHRACITE: L204
WHITE: L208
BLACK: L206



PN-200003003
1x

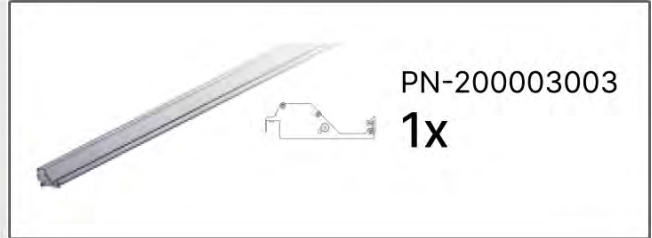


35



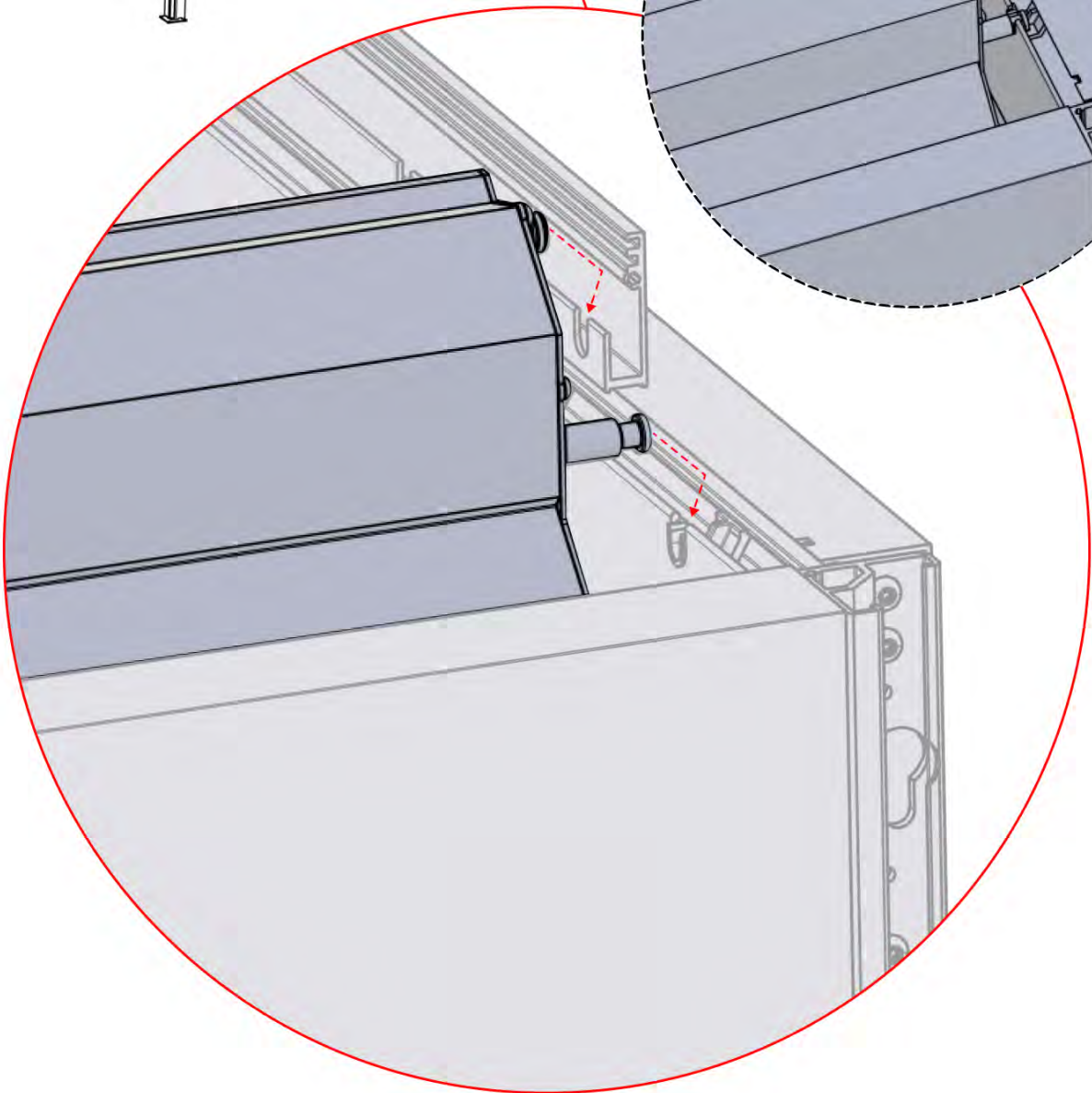
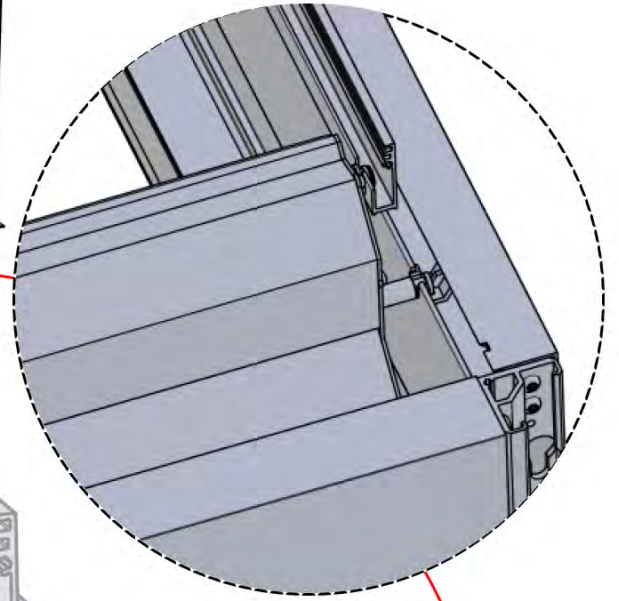
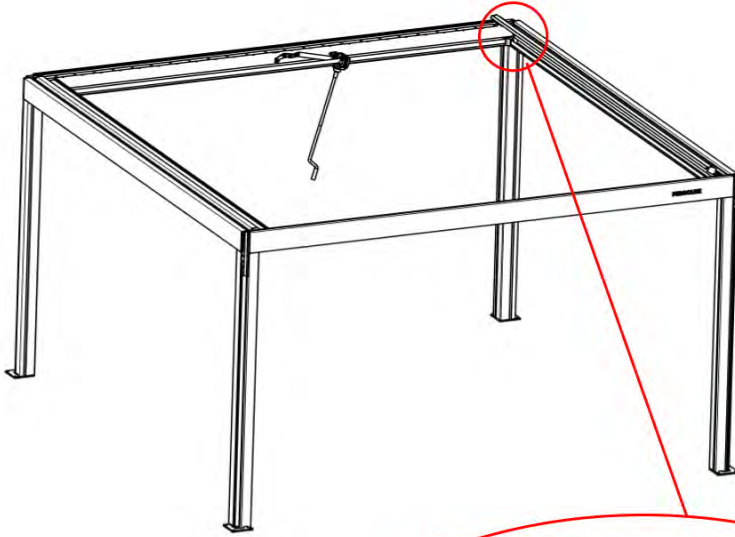
2

ANTHRACITE: L204
WHITE: L208
BLACK: L206



PN-200003003

1x



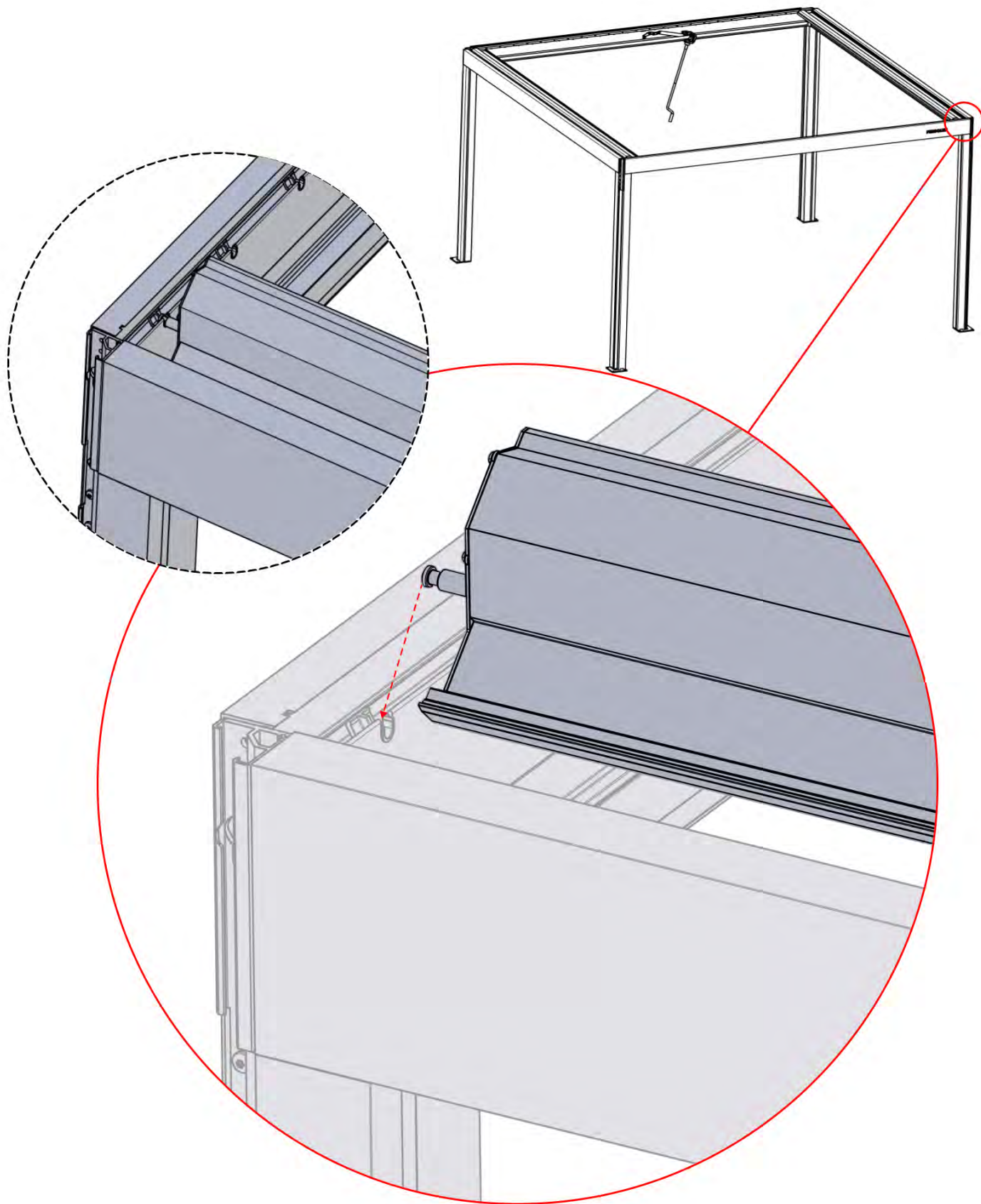
36

x1
PERGOLUX

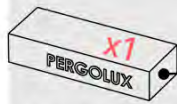
2

ANTHRACITE: L204
WHITE: L208
BLACK: L206

PN-200003003
1x



37



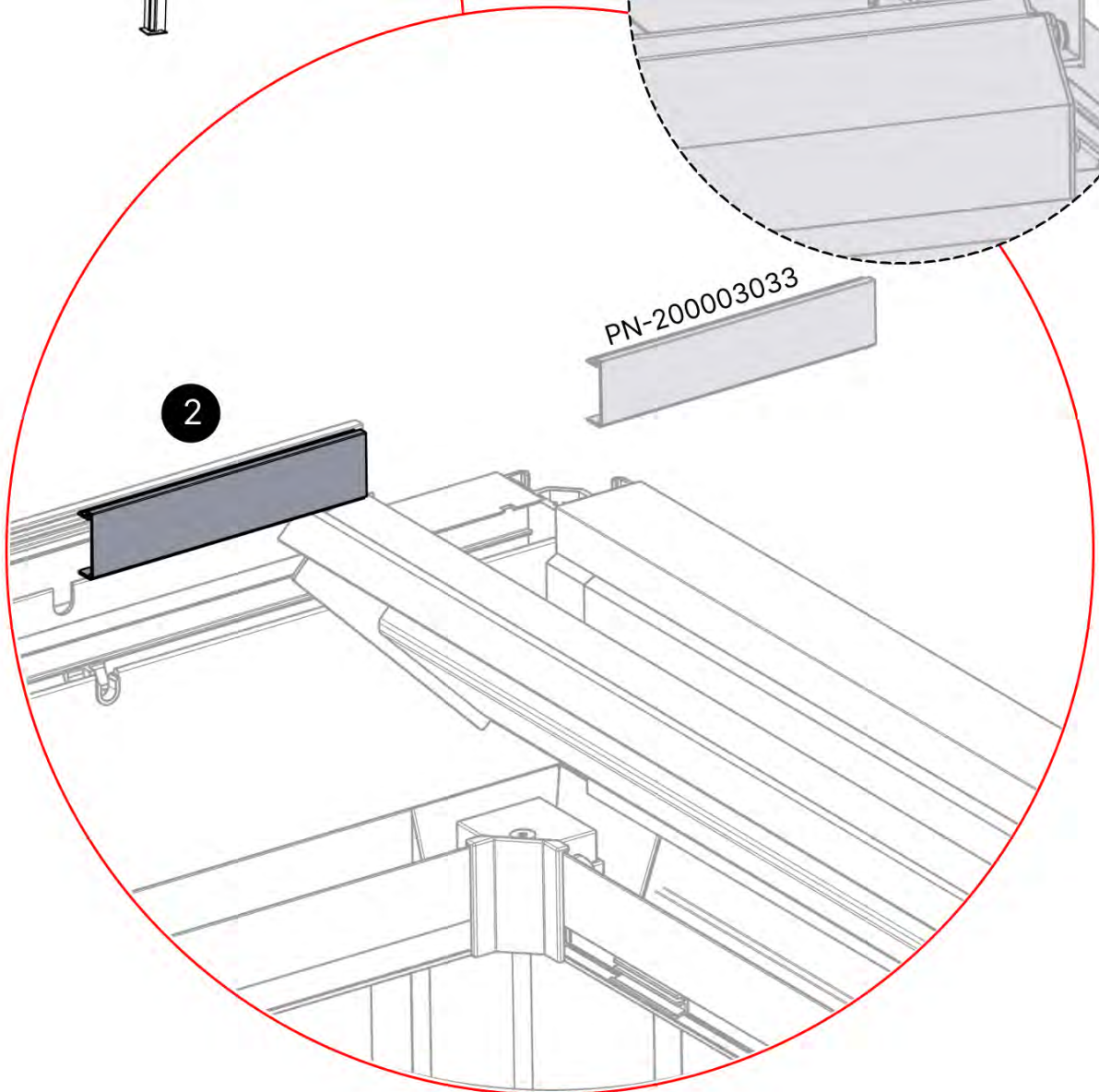
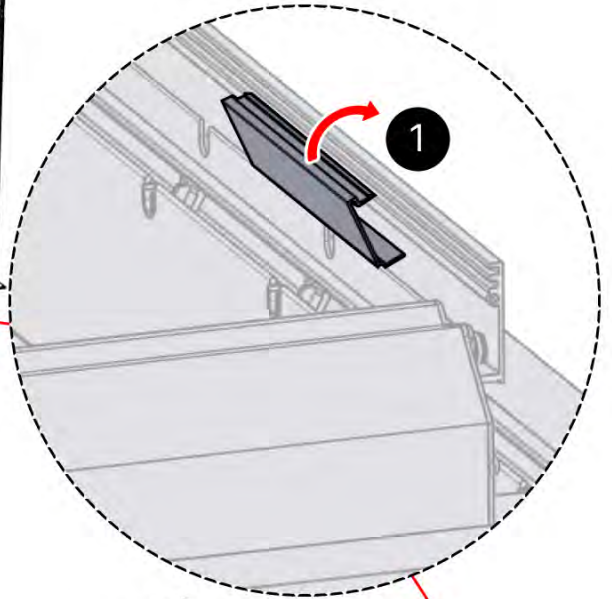
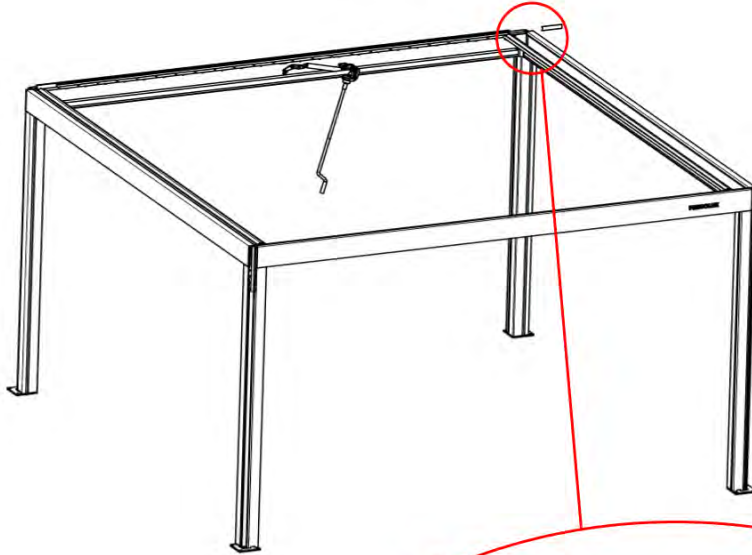
4

ANTHRACITE: B280
WHITE: B195
BLACK: B192

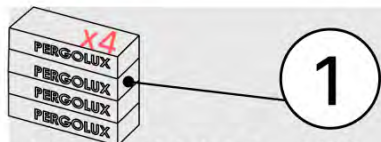


PN-200003033

1x



38



1

ANTHRACITE: L192
WHITE: L196
BLACK: L194



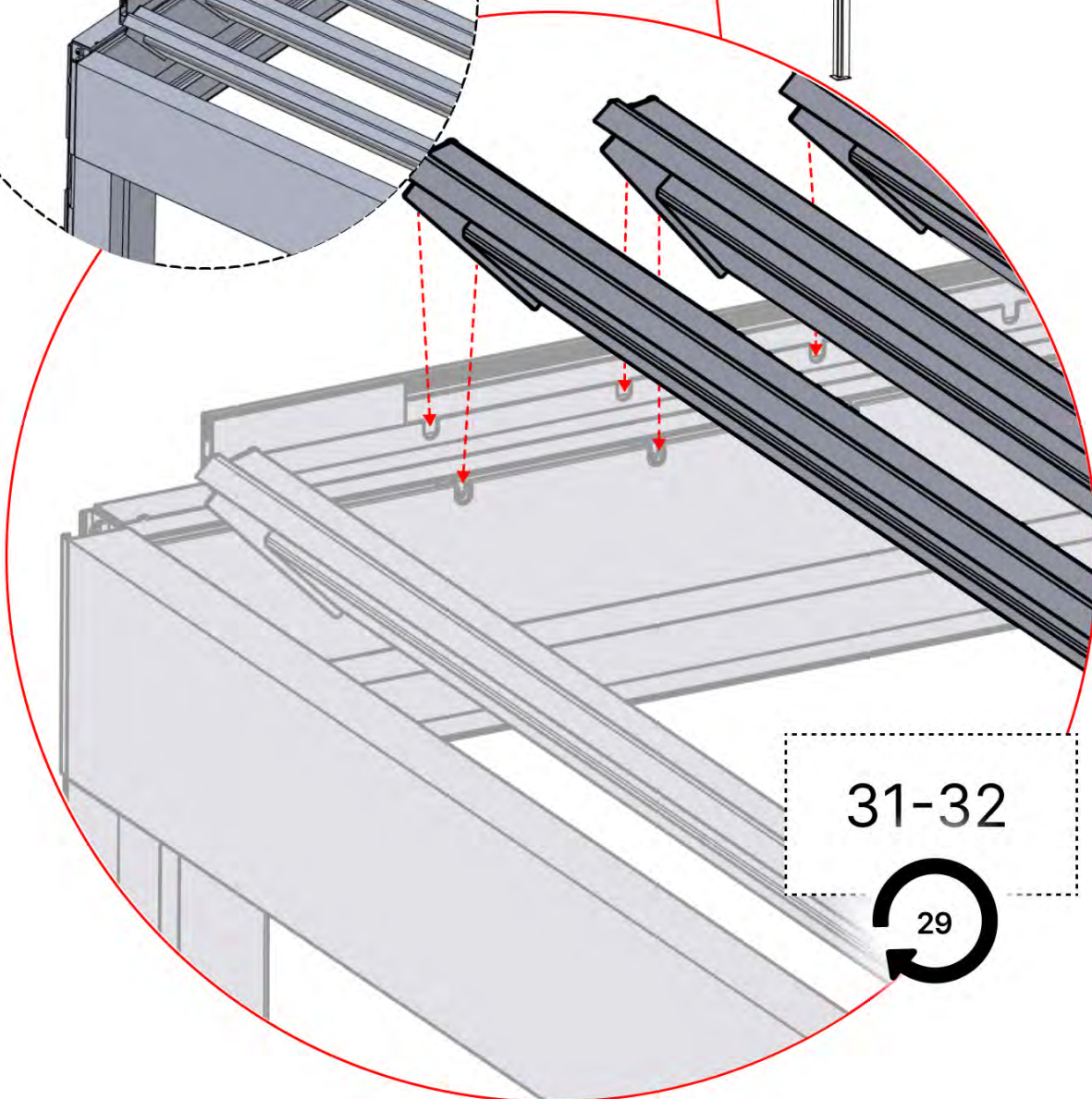
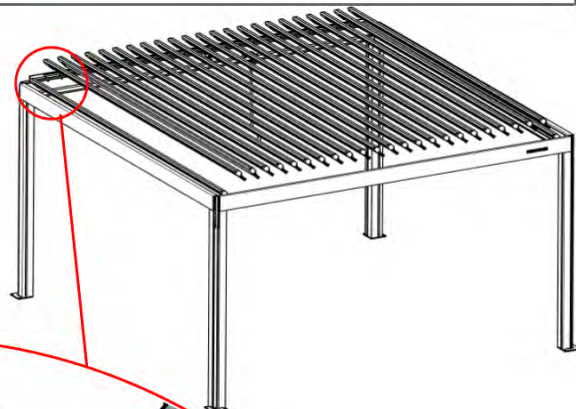
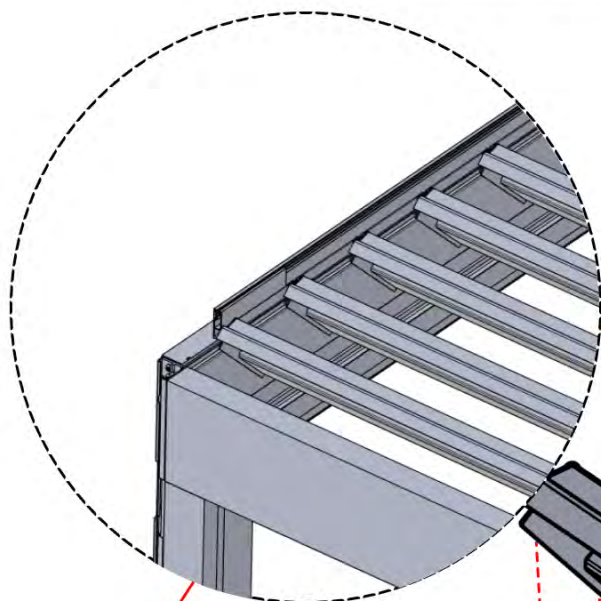
2

ANTHRACITE: L204
WHITE: L208
BLACK: L206



PN-200003004
23x

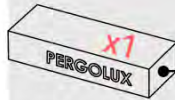
PN-200003004
6x



31-32

29

39



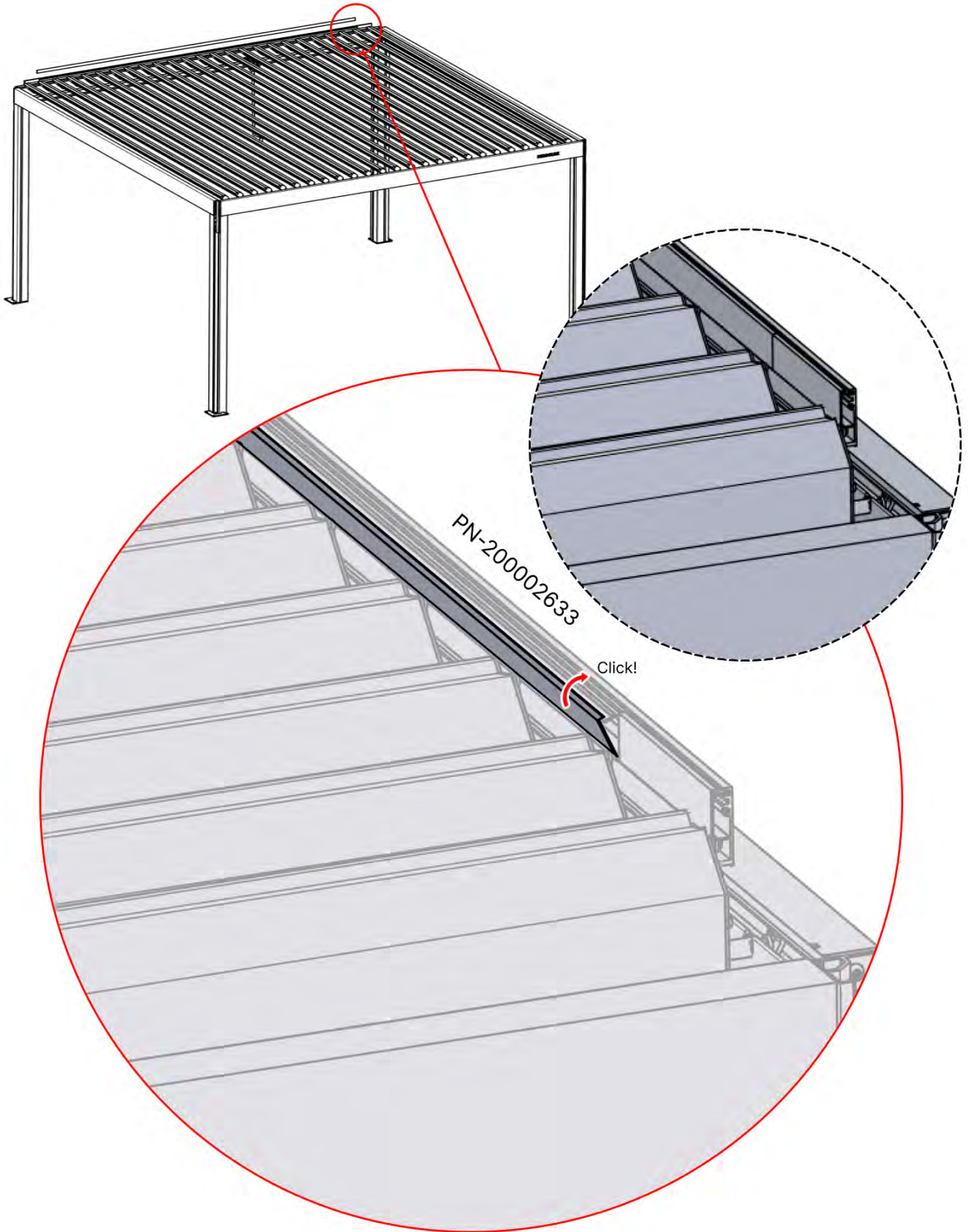
4

ANTHRACITE: B280
WHITE: B195
BLACK: B192



PN-200002633

1x




40

x7
PERGOLUX

4

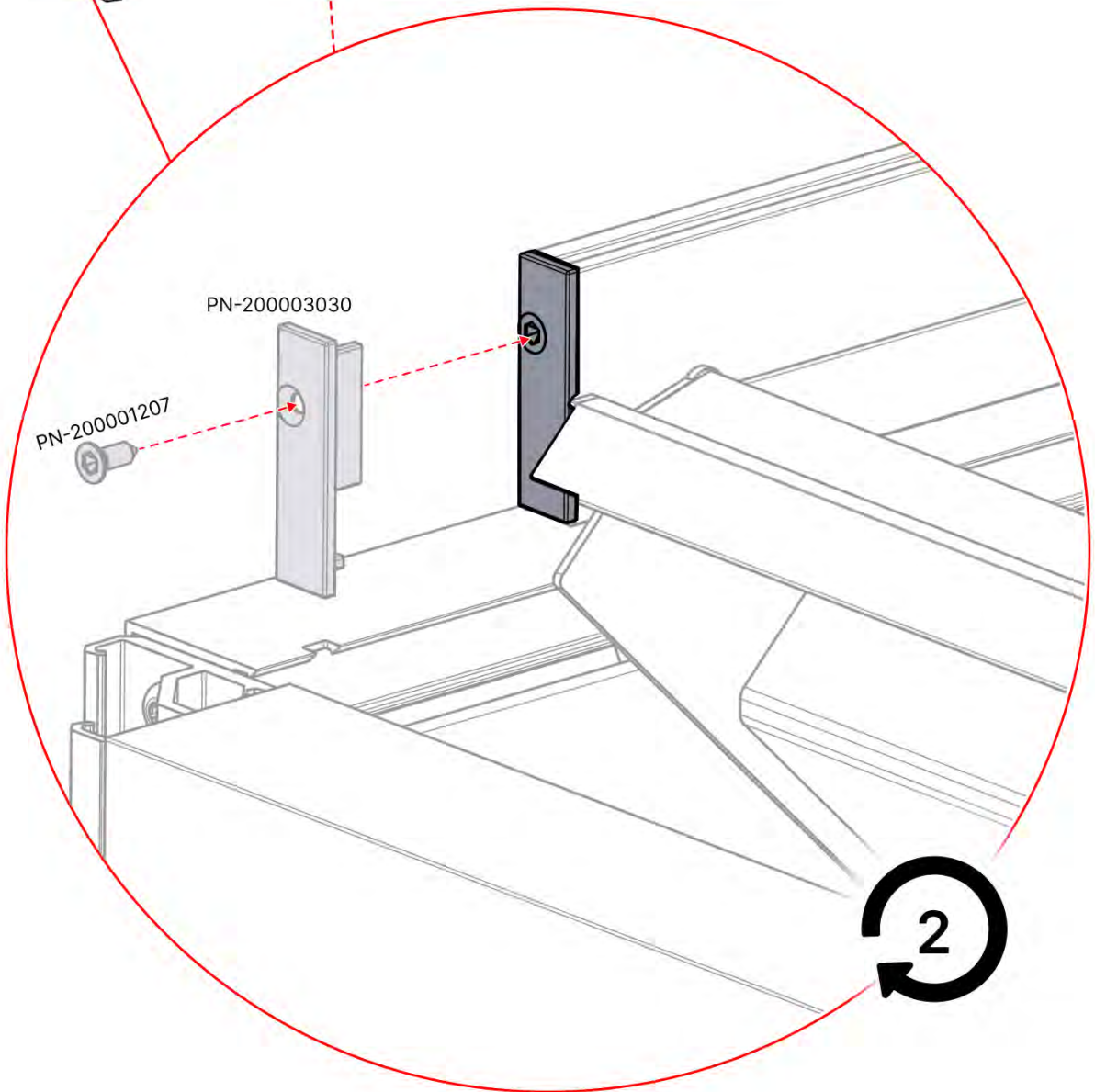
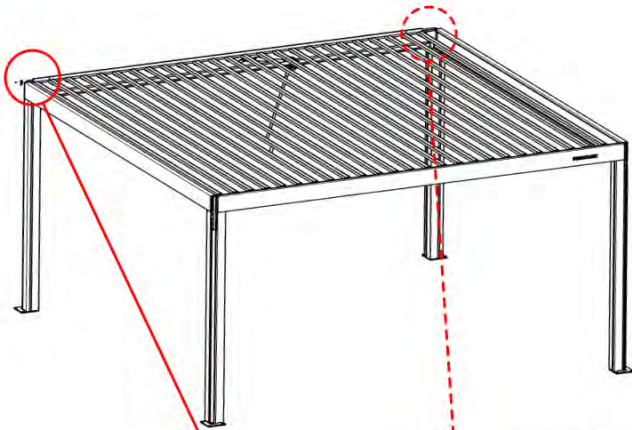
ANTHRACITE: B280
WHITE: B195
BLACK: B192



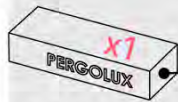
PN-200003030
1x

PN-200003031
1x

PN-200001207
2x

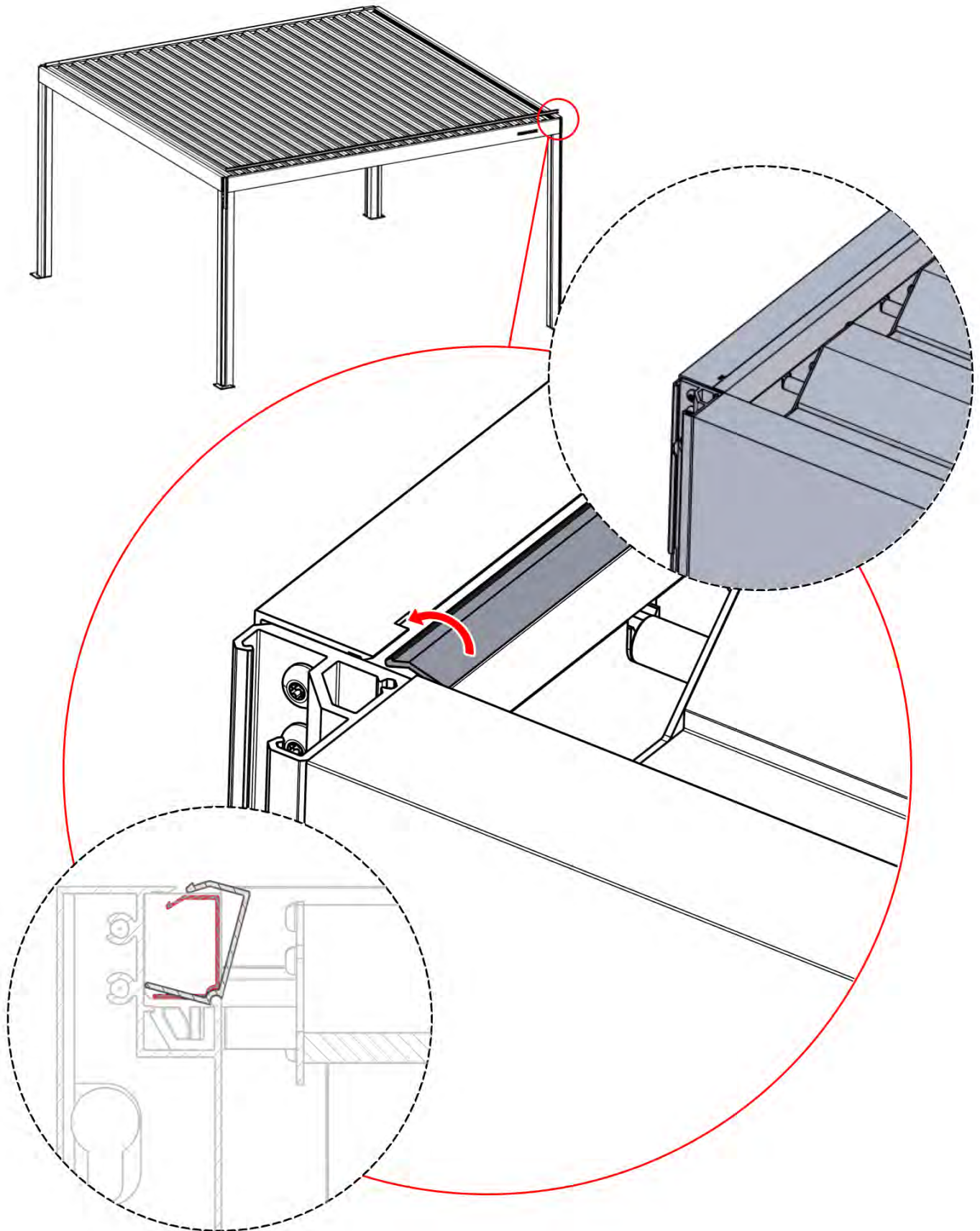


41



4

ANTHRACITE: B280
WHITE: B195
BLACK: B192



42



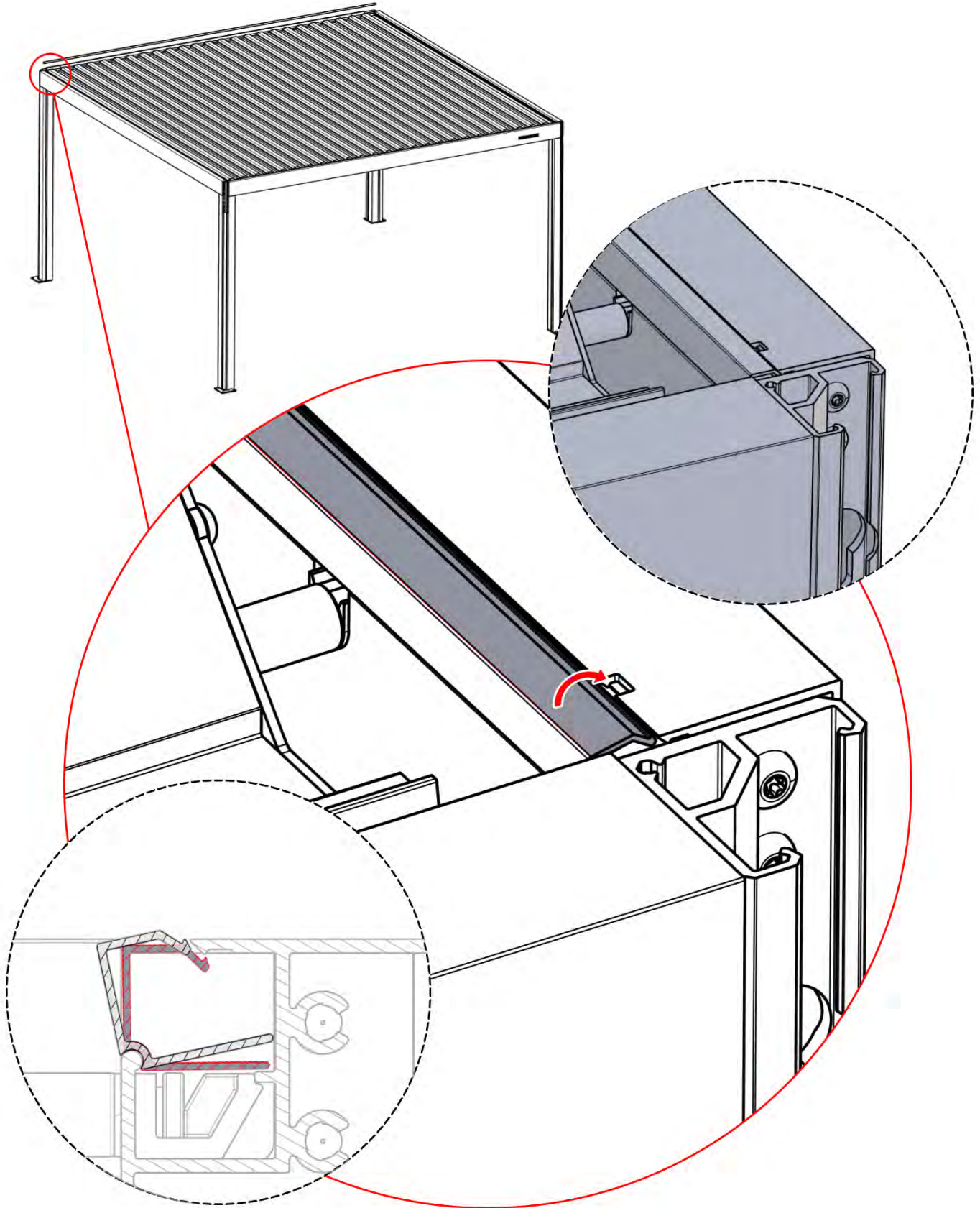
4

ANTHRACITE: B280
WHITE: B195
BLACK: B192



PN-200002623

1x




43

x2
PERGOLUX
PERGOLUX

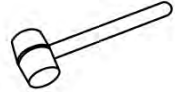
5

ANTHRACITE: C120
WHITE: C122
BLACK: C121

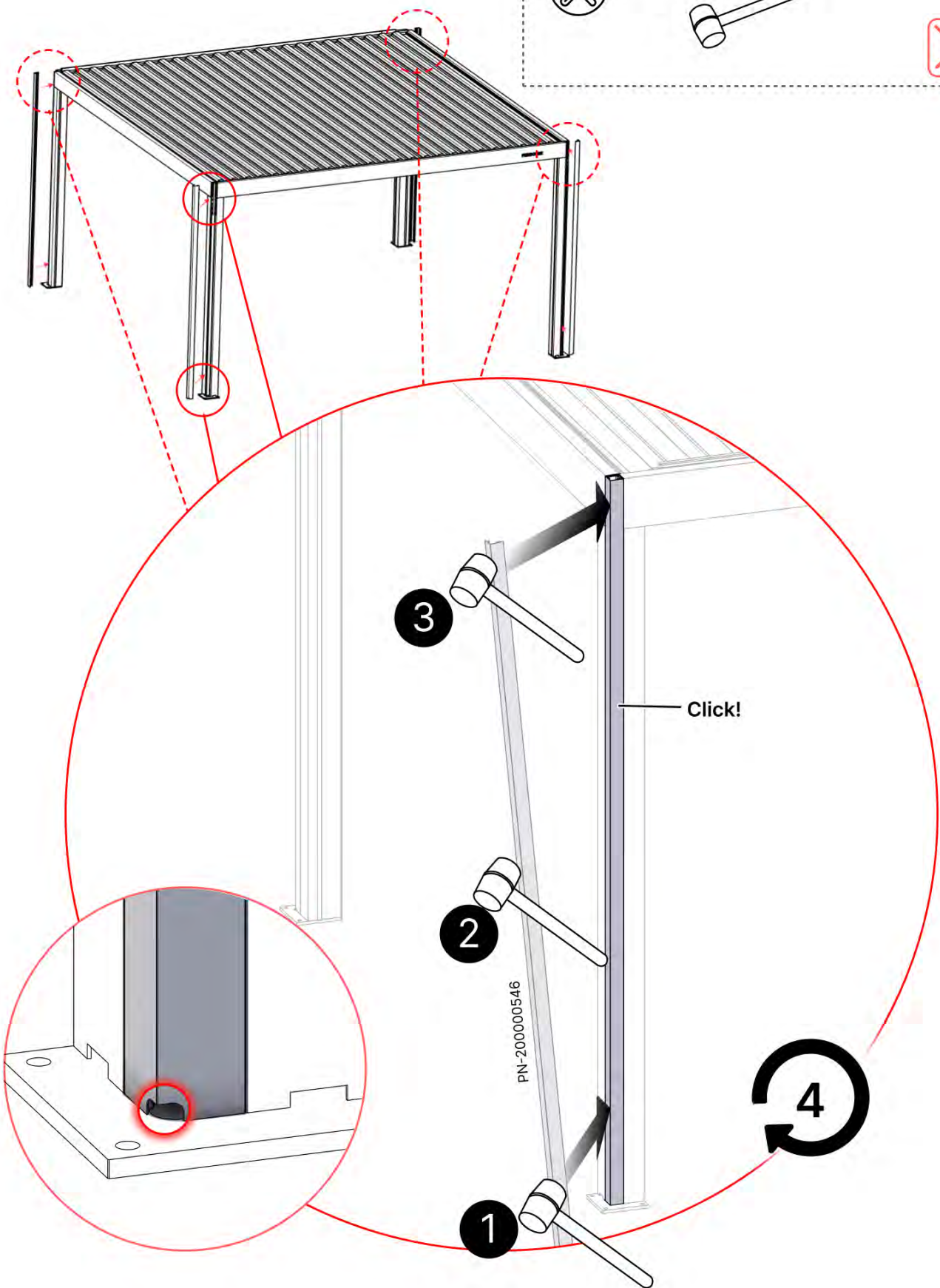


PN-200003386
4X

⊗



⊗

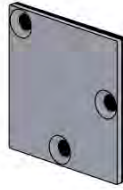


44



4

ANTHRACITE: B280
WHITE: B195
BLACK: B192

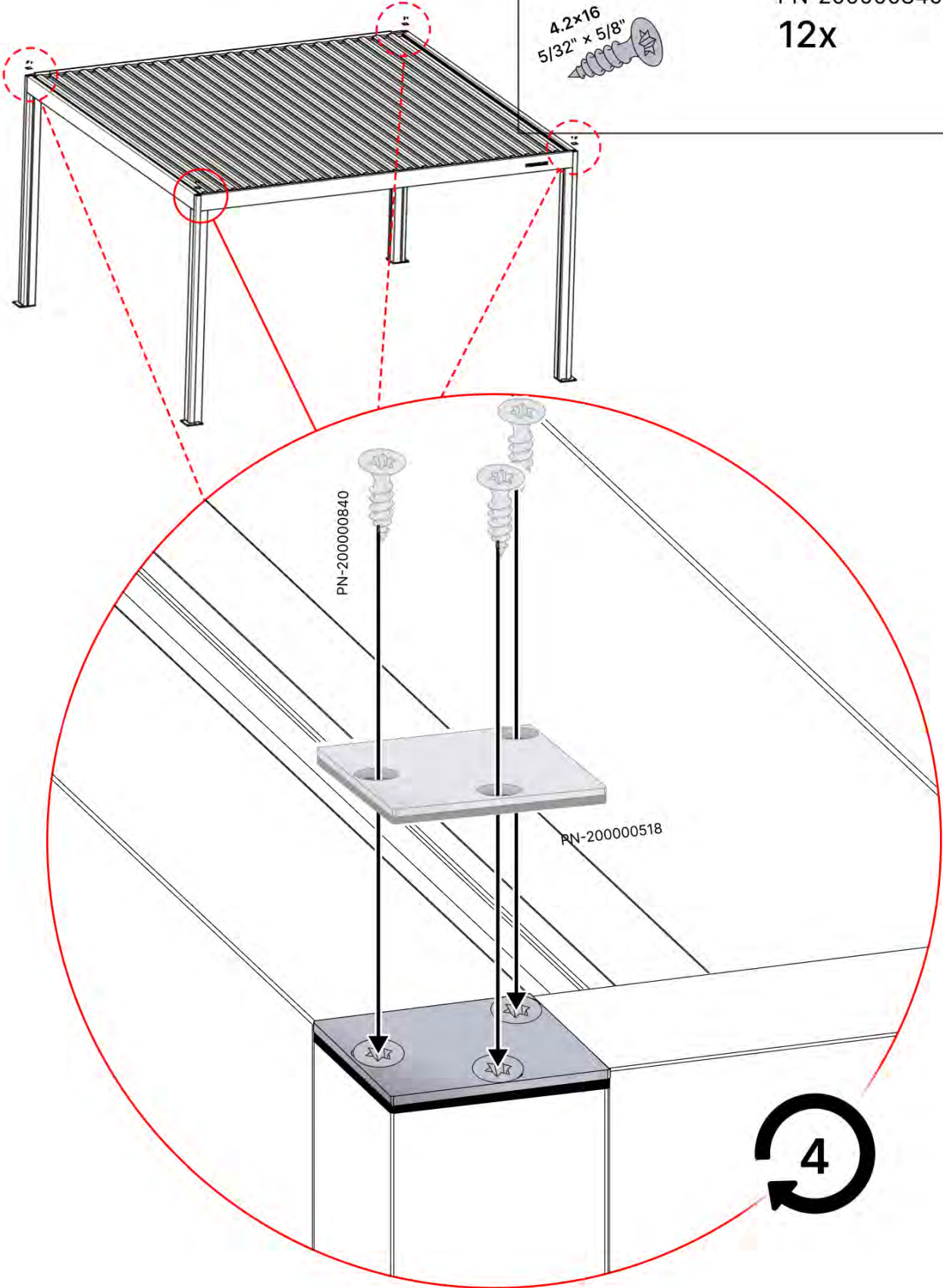
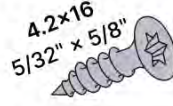


PN-200002614

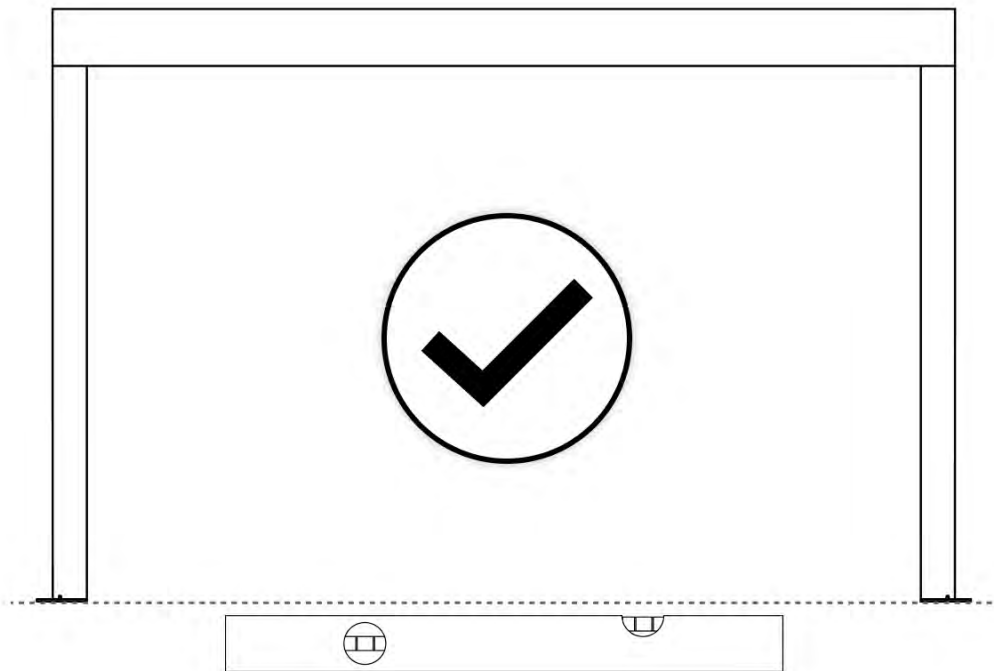
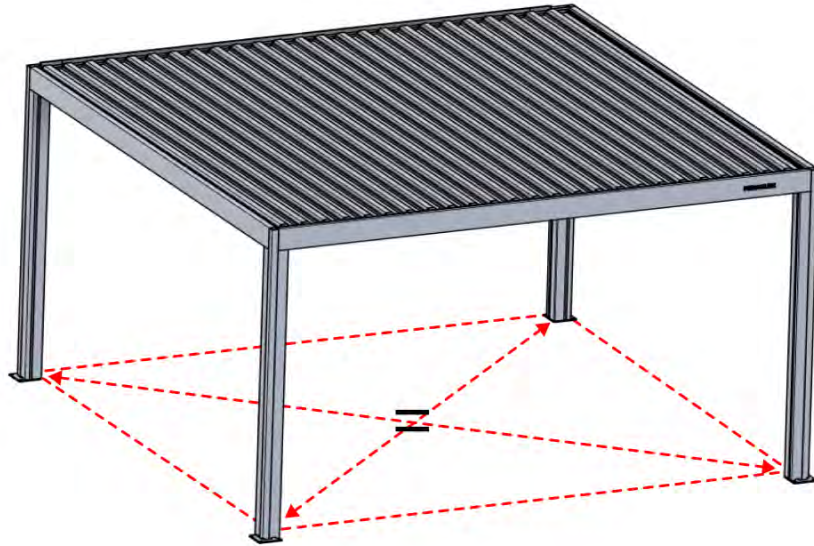
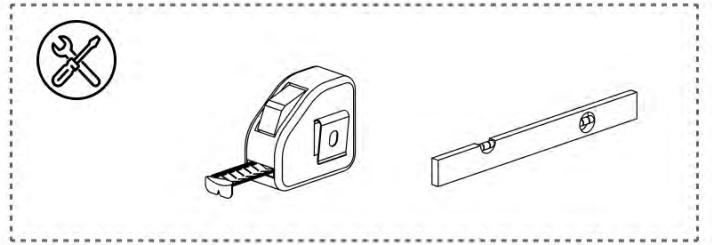
4x

PN-200000840

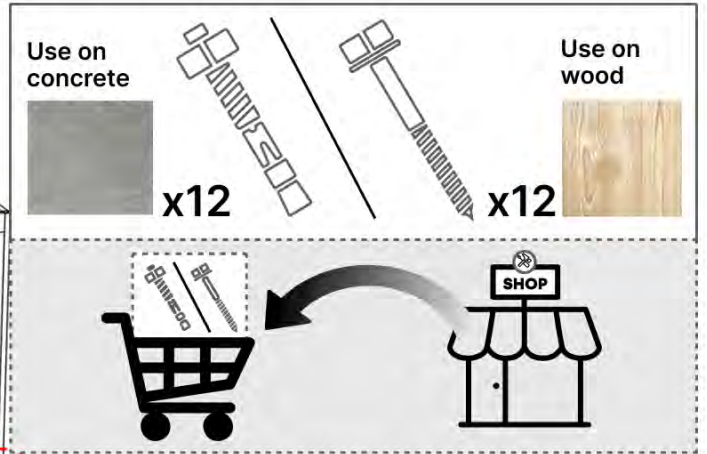
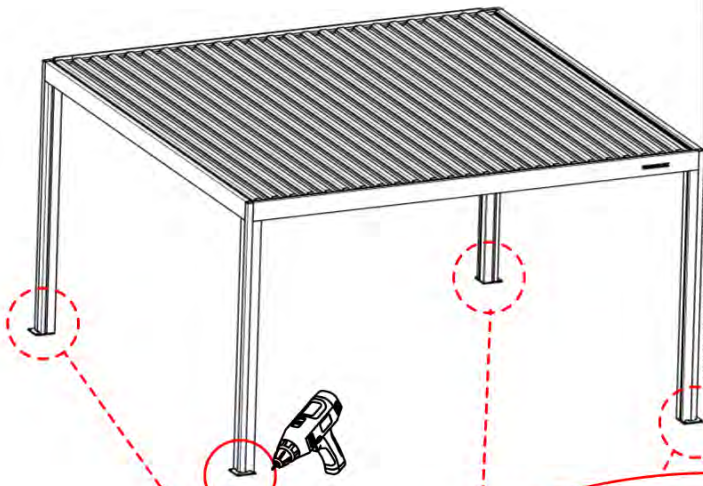
12x



45



46



A circular arrow icon with the number '4' in the center, indicating the fourth step in the assembly process.

PERGOLUX | PERGOLA FREESTANDING S4

4 X 5 M / 13' x 16'

