

S4

PERGOLA

PRO



3 × 4m / 10' x 13'
FREESTANDING

PERGOLUX



Designed and
developed
in Norway



Type Approved
Regular
Production
Surveillance

www.tuv.com
ID 1111293124

INFORMATION



INSTALLATION INSTRUCTIONS:

Ensure all parts are present and undamaged before starting the assembly.

Secure to a solid foundation with the correct fasteners for your foundation.

(If applicable) Install motors and wiring as shown. Ensure the electrical components are powered off during installation.

Use the correct lifting and installation equipment.

SAFETY WARNINGS:

Keep children and pets away during installation.

Do not operate the structure if parts are loose or improperly installed.

Ensure the structure is securely anchored to prevent accidents.

Do not insert fingers or any objects between the louvres.

MAINTENANCE:

Regularly clean the aluminum structure to maintain its appearance and prevent the accumulation of dirt.

Also, make sure to clean the gutters regularly. Inspect moving parts for wear and lubricate as necessary.

Check anchor points periodically to ensure stability.



INSTALLATIONSANLEITUNG:

Stellen Sie sicher, dass alle Teile vorhanden und unbeschädigt sind, bevor Sie mit der Montage beginnen.

Befestigen Sie sie mit den richtigen Befestigungselementen für Ihr Fundament auf einem soliden Fundament.

(Falls zutreffend) Installieren Sie Motoren und Verkabelung wie gezeigt. Stellen Sie sicher, dass die elektrischen Teile während der Installation ausgeschaltet sind.

Verwenden Sie die richtige Hebe- und Installationsausrüstung.

SICHERHEITSHINWEISE:

Halten Sie Kinder und Haustiere während der Installation fern.

Betreiben Sie die Struktur nicht, wenn Teile lose oder nicht richtig installiert sind.

Stellen Sie sicher, dass die Struktur sicher verankert ist, um Unfälle zu vermeiden.

Stecken Sie keine Finger oder andere Gegenstände zwischen die Lamellen.

WARTUNG:

Reinigen Sie die Aluminiumstruktur regelmäßig, um ihr Aussehen zu erhalten und die Ansammlung von Schmutz zu verhindern.

Reinigen Sie auch die Dachrinnen regelmäßig. Überprüfen Sie bewegliche Teile auf Verschleiß und schmieren Sie sie bei Bedarf.

Überprüfen Sie die Ankerpunkte regelmäßig, um die Stabilität sicherzustellen.



Pergolux International GmbH, 9 Goethestraße,
36043 Fulda,
Germany

25

DOP-SUN-FSWM-S2S3

EN 13561:2015

Pergolux Sundream S2/S3

External use in buildings and other
construction works

Resistance to wind loads: Class 6 (EN 13561)

SYMBOL EXPLANATION



Indicates the outside of the pergola structure.



This step may require extra force.



Indicates the inside of the pergola structure.



Key information to follow during installation.



Important! Be cautious when assembling or handling this part.



This item must be purchased separately.



Required tools for assembly.



Apply lubricant to make screw assembly easier.



Ensure grounding is connected before powering up.



Do not use a regular hammer, as it may cause damage.



Align slats according to sunlight direction for optimal shading.



AC Input



Repeat this step as many times as the number indicates



Motor



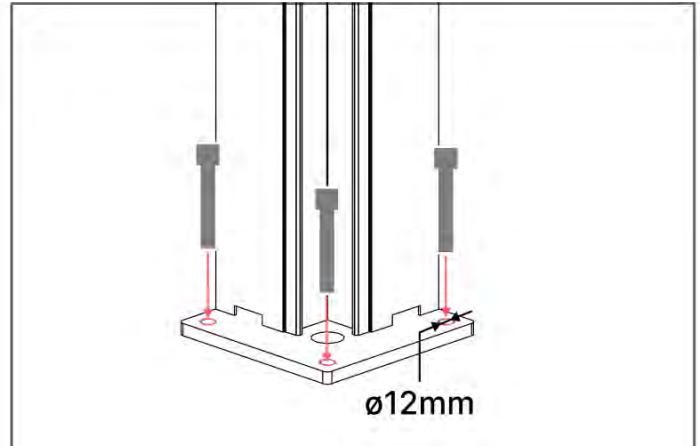
Turn around

INFORMATION



PN-200000652

Use a high-quality, weather-resistant and mold-resistant adhesive and sealant to seal the corners of the pergola and prevent leakage. Look for products that are designed for outdoor use and provide a strong, long-lasting bond.



ø12mm

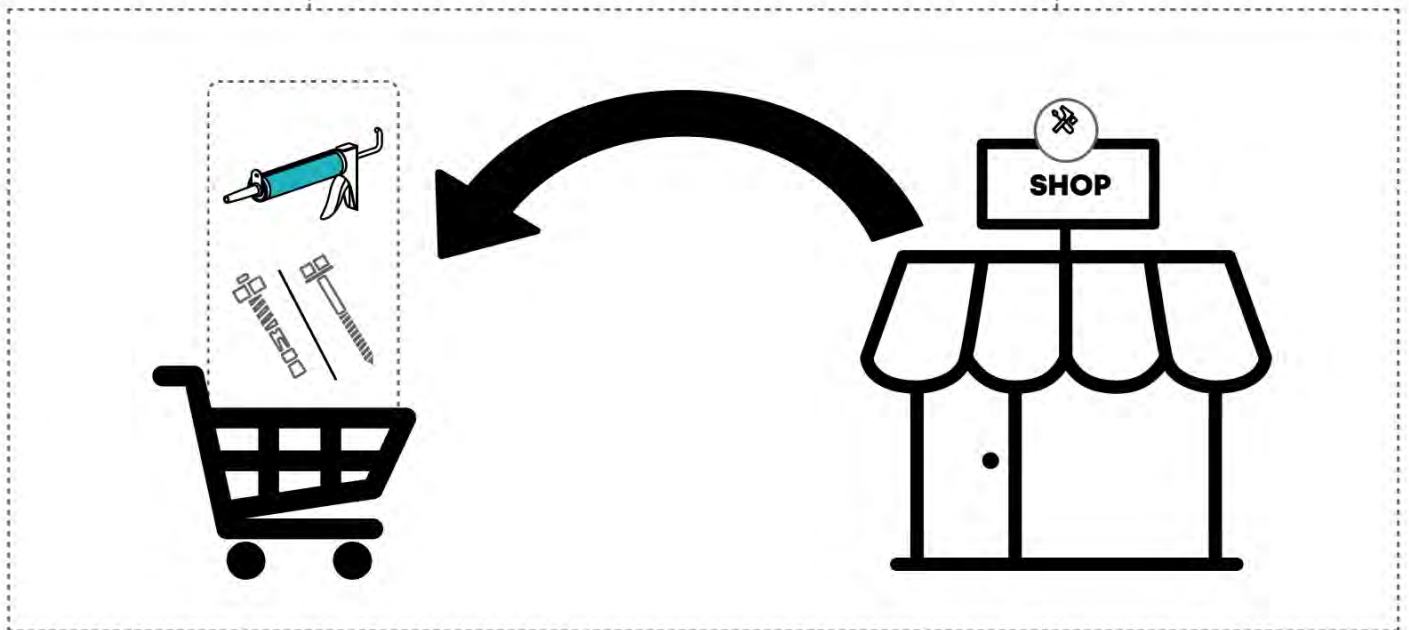
Use on concrete

Use on wood

x12

x12

You need to buy your needed screws to attach the pergola to the ground



SHOP

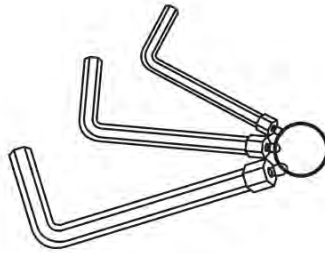
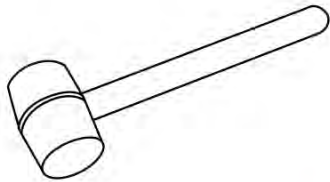
INFORMATION

All screws from **PERGOLUX** are made of stainless steel, ensuring durability and resistance to rust. To prevent damage to screws, follow these guidelines:

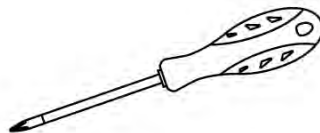
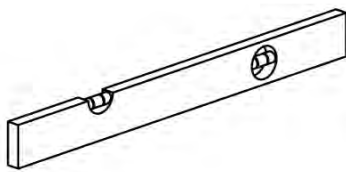
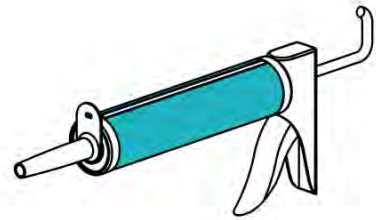
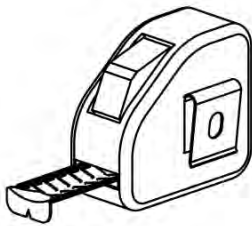
- **DO NOT OVERTIGHTEN:** Apply appropriate force to avoid stripping the threads.
- **CHOOSE THE CORRECT TOOL:** Use the proper screwdriver or bit to avoid damaging the screw head.
- **ENSURE PROPER USE:** With correct installation, screws will maintain their integrity and functionality over time.
- **USE LUBRICATION:** Apply lubricant to make screw assembly easier.



INFORMATION



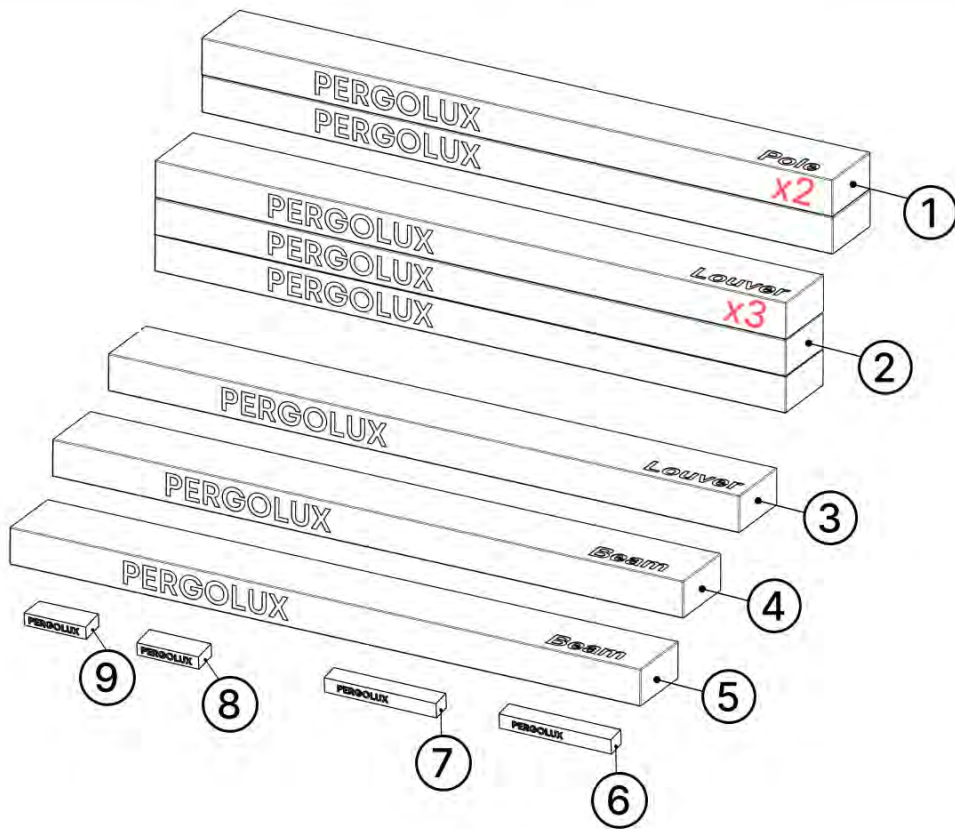
3mm, 4mm, 5mm



TX15, TX20, TX25, TX30

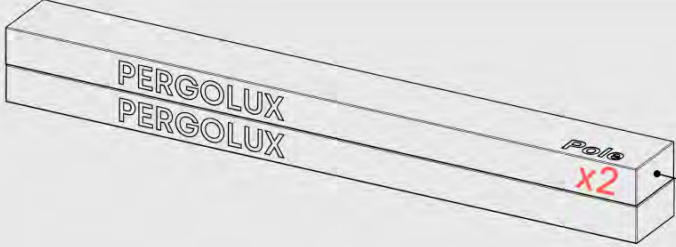


PACKAGE OVERVIEW

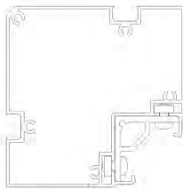
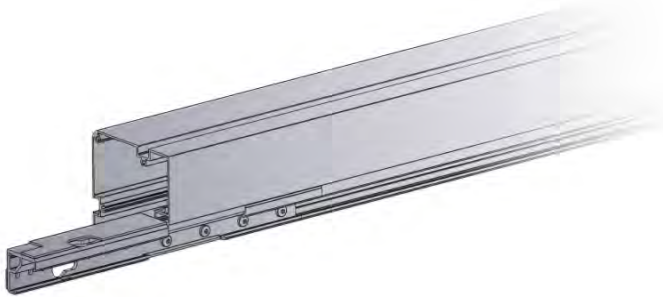


| ORDER | ANTHRACITE | WHITE | BLACK |
|-------|-----------------|-------|-------|
| ① | C120 | C122 | C121 |
| ② | L215 | L219 | L217 |
| ③ | L227 | L231 | L229 |
| ④ | B233 | B241 | B237 |
| ⑤ | B256 | B260 | B258 |
| ⑥ | WHITE / RGB LED | | |
| ⑦ | MOTOR | | |
| ⑧ | CONTROL BOX | | |
| ⑨ | POWER CABLE | | |

ITEMS IN BOX

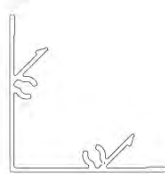
| | | | |
|---|------------|-------|-------|
|  | ANTHRACITE | WHITE | BLACK |
| | C120 | C122 | C121 |

1



PN-200002606

4x



PN-200003386

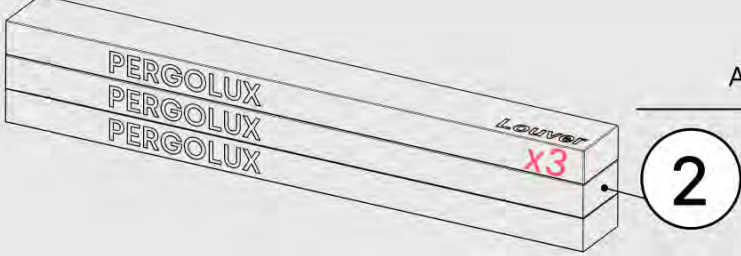
4x


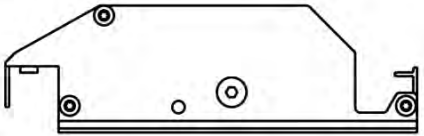


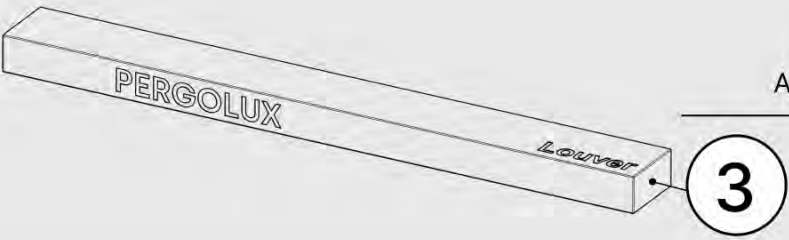
PN-200002614


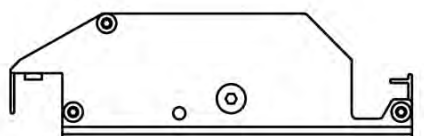

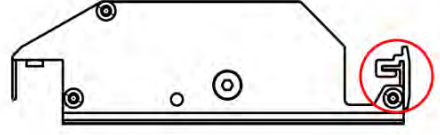
2x

ITEMS IN BOX


| | | | |
|---|------------|-------|-------|
|  | ANTHRACITE | WHITE | BLACK |
| | L215 | L219 | L217 |

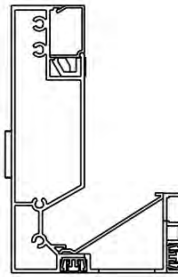
| | | |
|--|--|----------------------------|
|  |  | PN-200002629 18x |
|--|--|----------------------------|

| | | | |
|---|------------|-------|-------|
|  | ANTHRACITE | WHITE | BLACK |
| | L227 | L231 | L229 |

| | | |
|---|--|---------------------------|
|  |  | PN-200002629 6x |
|  |  | PN-200002645 1x |

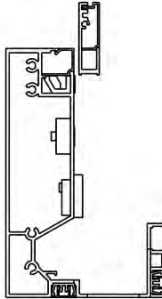
ITEMS IN BOX

| | | | |
|---|------------|-------|-------|
|  | ANTHRACITE | WHITE | BLACK |
| | 4 | B233 | B241 |



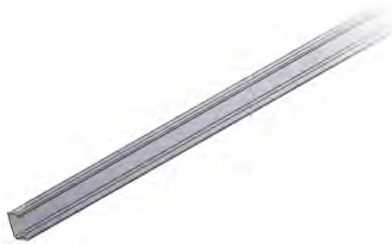
PN-200003283

1x



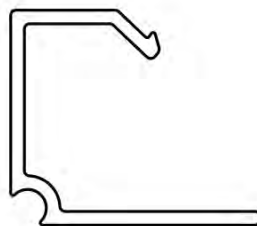
PN-200002605

1x



Premounted
PN-200002609

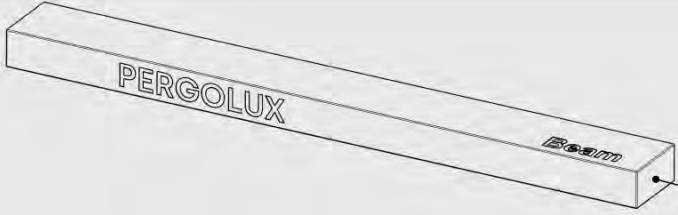
1x



Premounted
PN-200002623

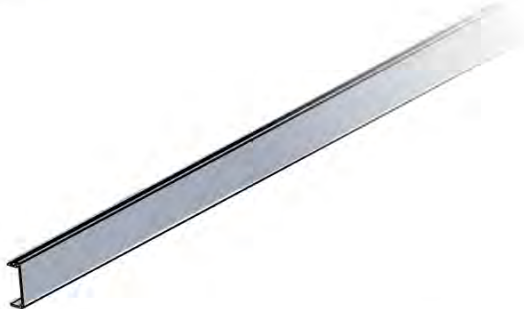
1x

ITEMS IN BOX

| | | | |
|---|---------------|-------|-------|
|  | ANTHRACITE | WHITE | BLACK |
| | 4 B233 | B241 | B237 |



PN-200002613
1x



Premounted
PN-200002633
1x

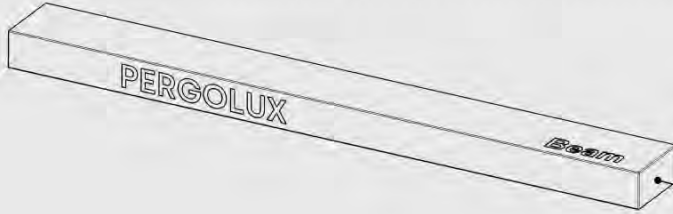


Premounted
PN-200003382
1x

ITEMS IN BOX



Note: If accessory bags lack part number stickers, refer to the manual for identification.



ANTHRACITE WHITE BLACK

4

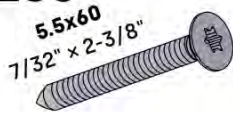
B233

B241

B237



PN-20000
3280



PN-200000560
20x



PN-20000
3320



PN-200000826
2x



PN-20000
3282



PN-200001514
4x



PN-20000
3276



PN-200002618
4x



PN-200000840
12x



PN-200000571
4x



PN-20000
3278



PN-200003031
1x



PN-200003033
2x

PN-200003030
1x



PN-200001207
2x



PN-20000
3279



PN-200000568
32x



PN-20000
3379



PN-200000960
4x



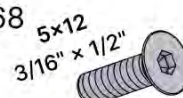
PN-20000
3285



PN-200000507
4x



PN-200000568
4x

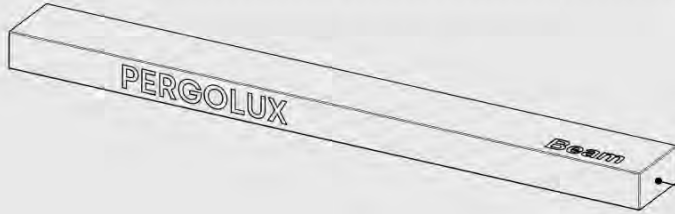


PN-200000569
8x

ITEMS IN BOX



Note: If accessory bags lack part number stickers, refer to the manual for identification.



ANTHRACITE WHITE BLACK

4

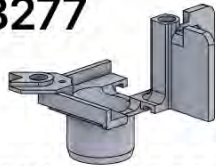
B233

B241

B237



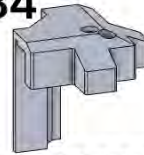
PN-20000
3277



PN-200002617
4x



PN-20000
3284



PN-200002625
4x



PN-20000
3371



PN-200003372
1x



PN-200001946
1x



PN-200000502
1x



PN-200003373
1x



PN-200000561
1x



PN-20000
3281



PN-200002622
4x




PN-200000680
8x



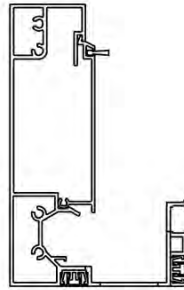
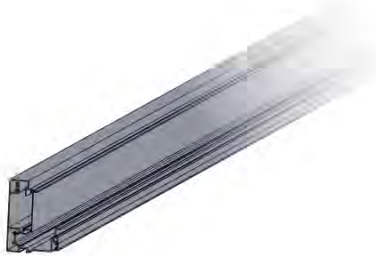
PN-200003209
1x

ITEMS IN BOX

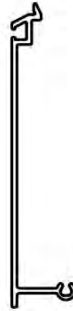


| | ANTHRACITE | WHITE | BLACK |
|--|------------|-------|-------|
| | B256 | B260 | B258 |

5

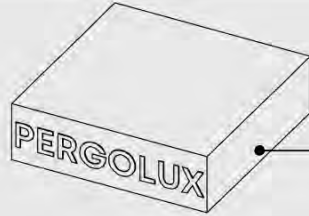


PN-200003290
2x



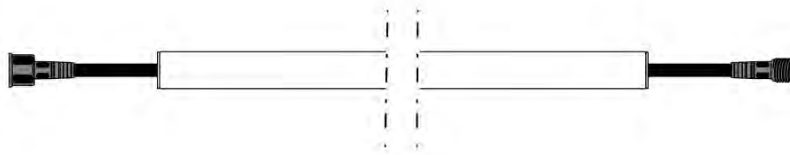
Premounted
PN-200003554
2x

ITEMS IN BOX



6

WHITE / RGB LED



LED light strip

4x



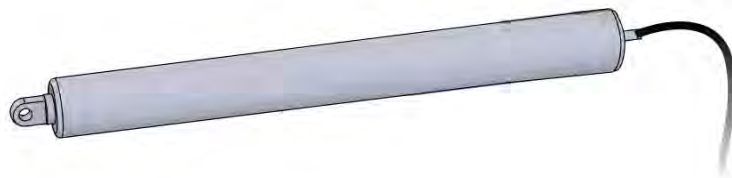
Y cable

1x



7

ELECTRIC MOTOR



Electric motor
PN-200001562

1x



PN-200001623

1x



PN-200001624

1x



PN-200001625

2x

ITEMS IN BOX

S4



8

CONTROL BOX



Control box

1x



PN-200002756

1x



Matter antenna clip

1x



PN-200002754

1x



PN-200002684

10x



PN-200002758

1x



PN-200002683

5x



PN-200002753

2x



QR-code

1x



PN-200002759

2x



3M tape

1x



PN-200002757

1x

ITEMS IN BOX



9

POWER CABLE



Power cable

1x



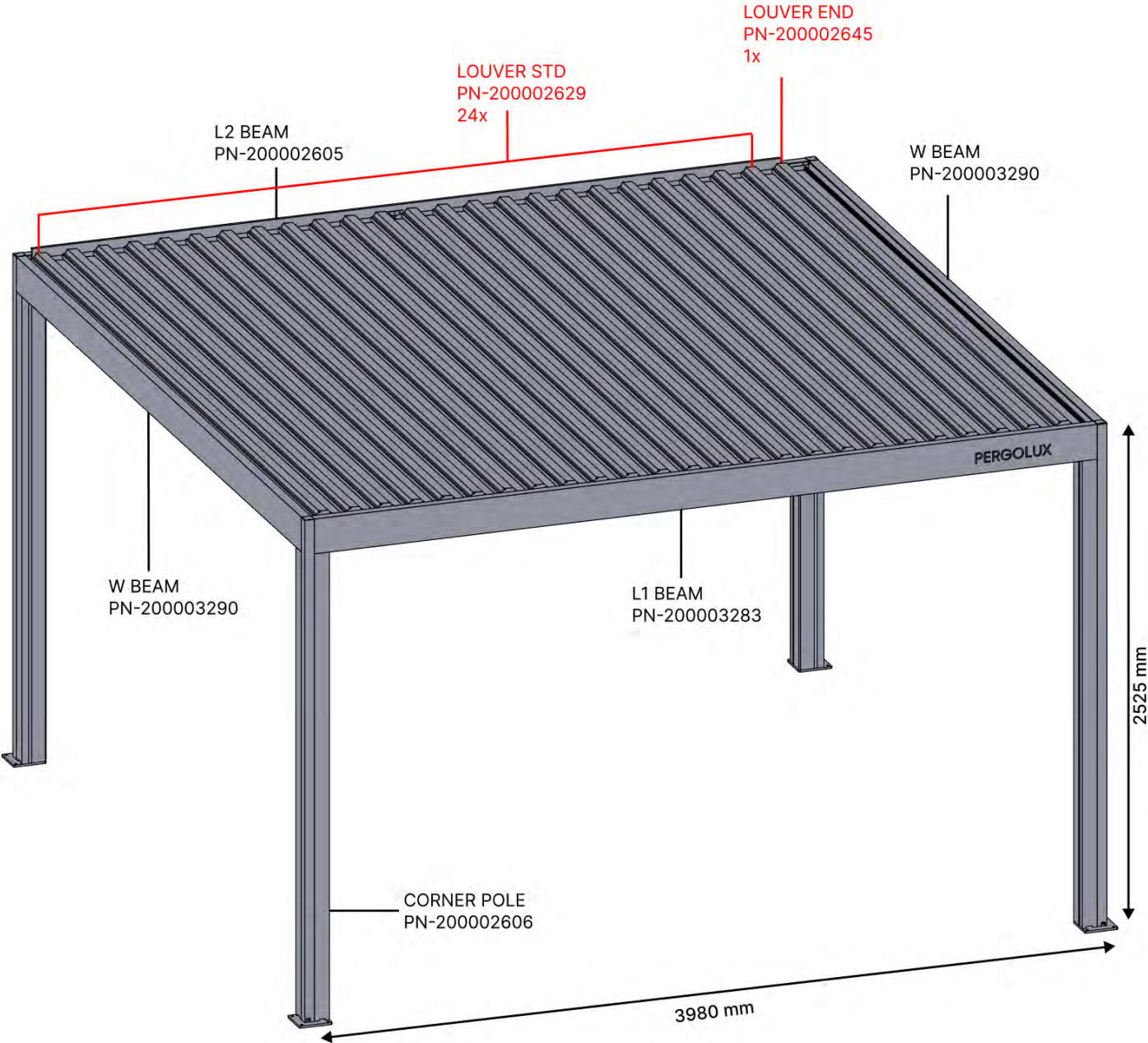
All electric parts should be tested before installation.

LEDs + Motor (and heater) should be connected to the Control box and programmed to ensure functionality.

Matter + Smart home can be connected at anytime by simply scanning the QR code provided

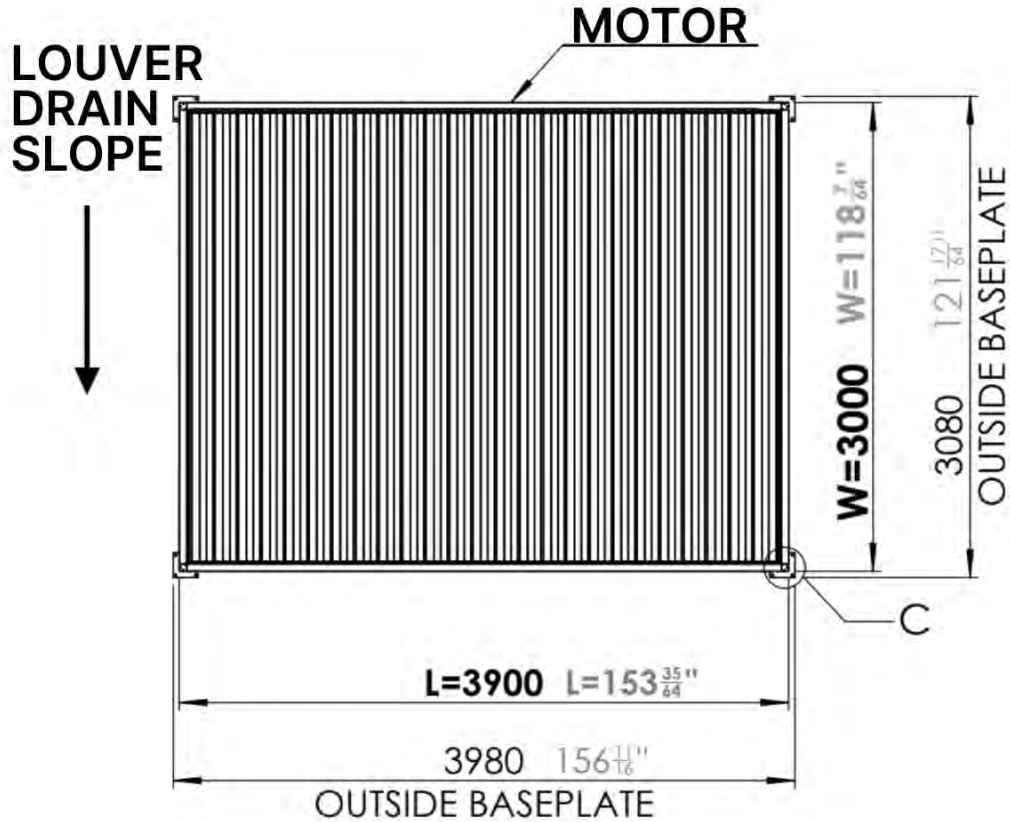
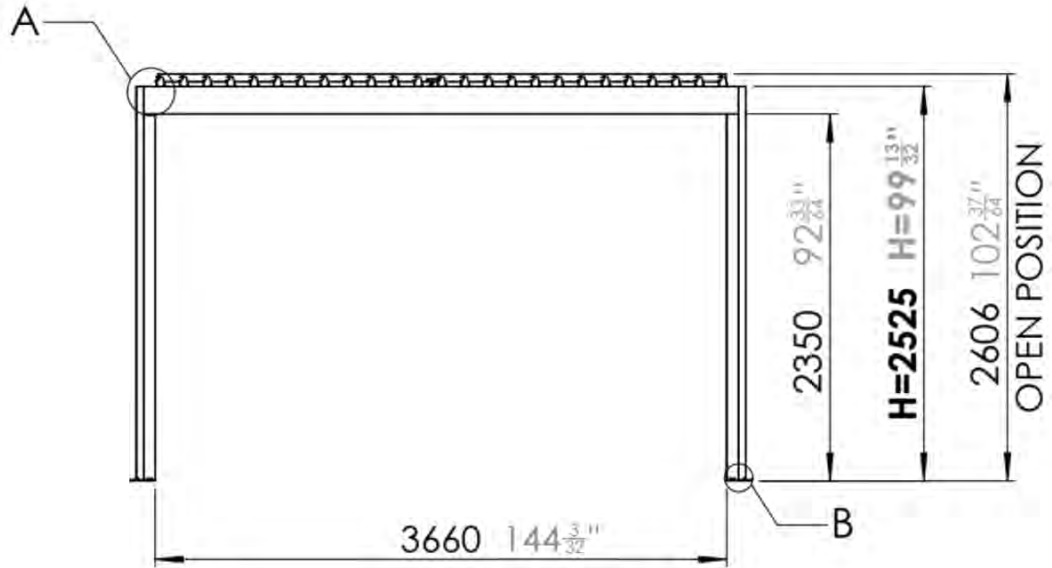
PERGOLUX | PERGOLA PRO FREESTANDING S4

3 x 4 M / 10' x 13'



PERGOLUX | PERGOLA PRO FREESTANDING

3 × 4 M / 10' x 13'



01

Are you installing a screen, slat wall or glass wall?

It is recommended to remove these Snapfit covers and clips now before installing the pergola.

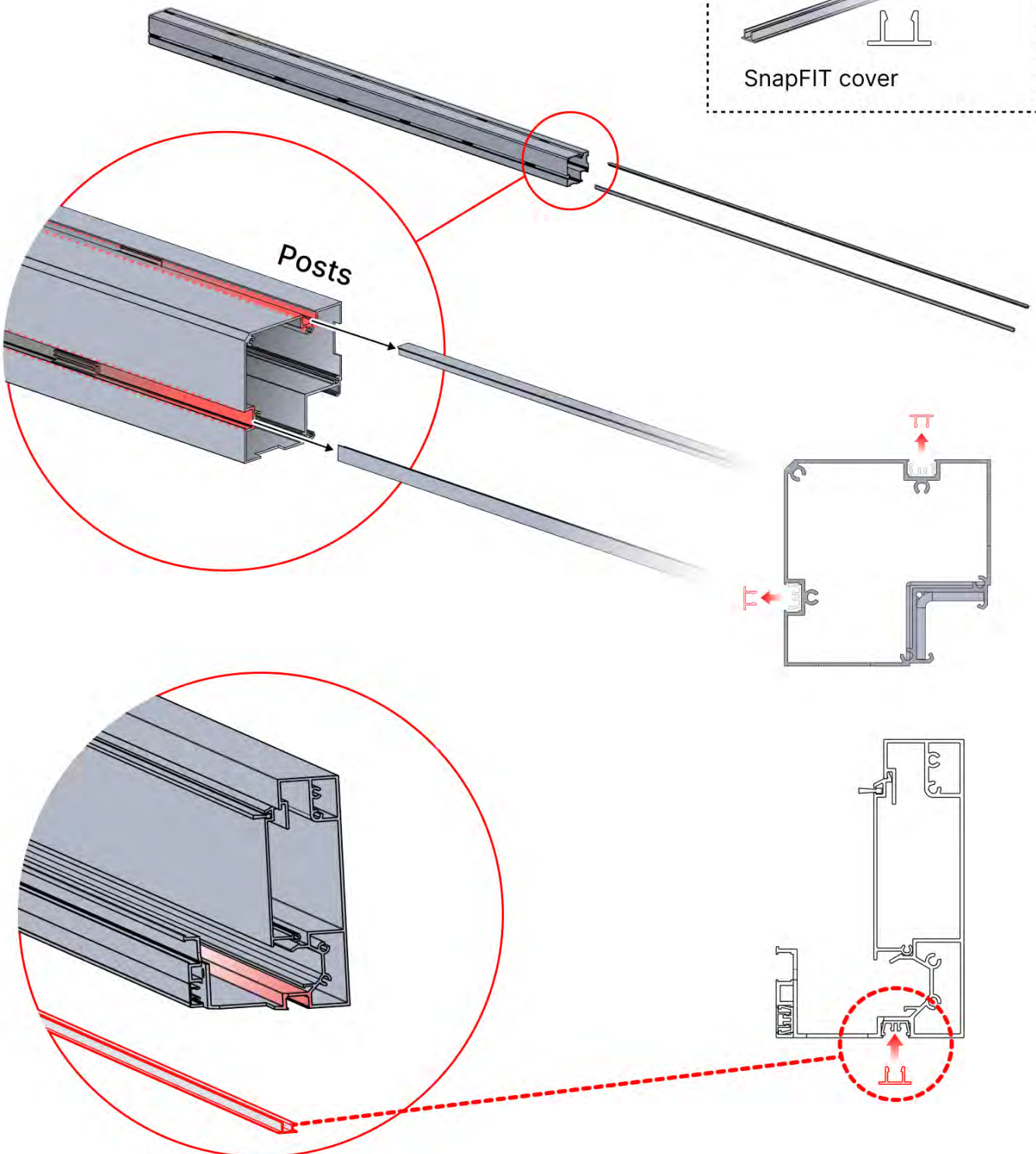
Cover and clips



PN-200000512
SnapFIT cover clip



SnapFIT cover



02

Are you installing a heater, fan or LED lights?

It is recommended to remove both snap-fit covers from the beam now.

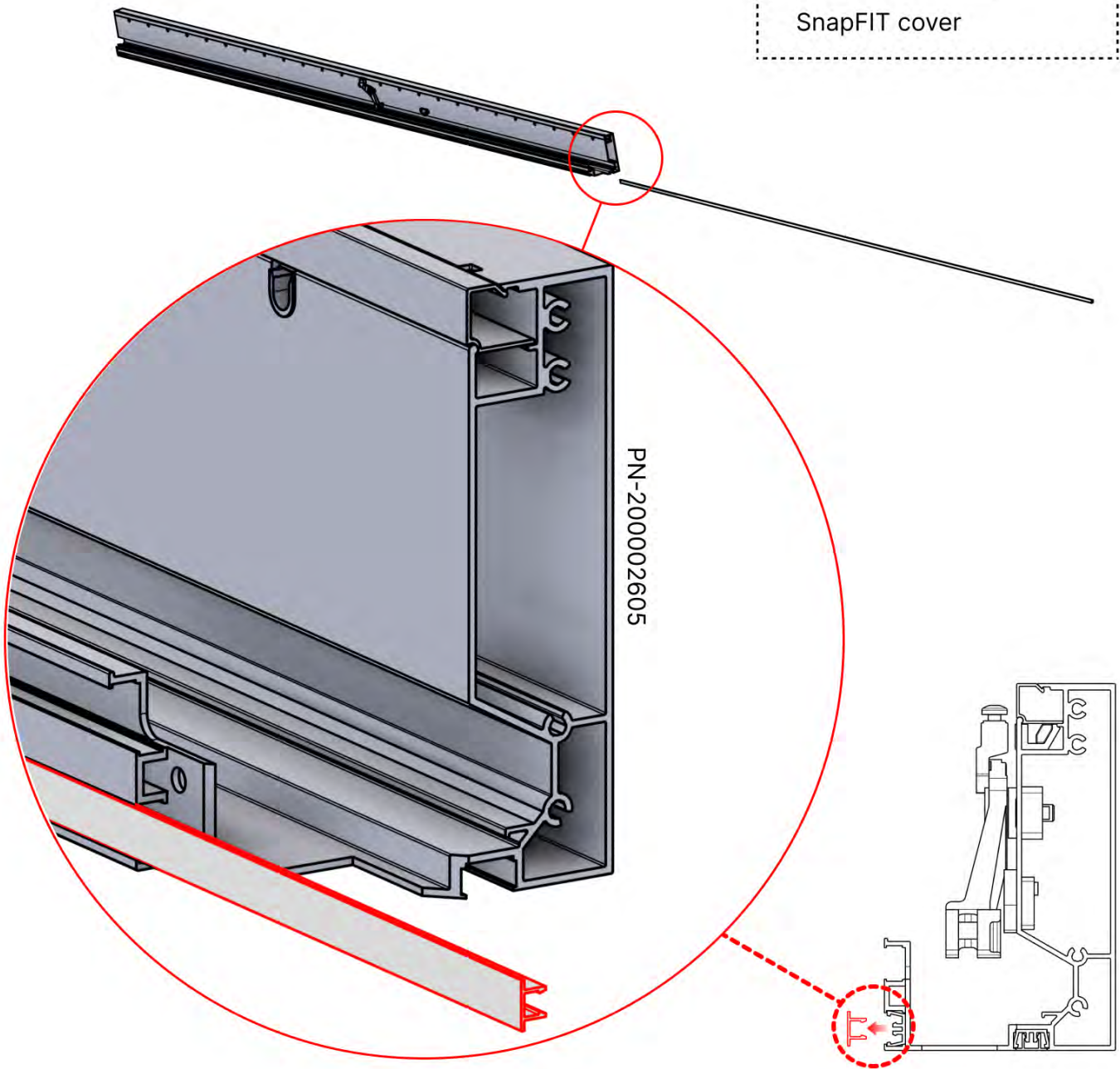
Cover and clips



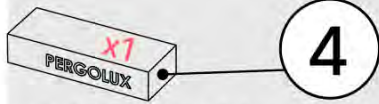
PN-200000512
SnapFIT COVER CLIP



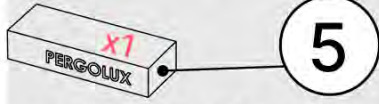
SnapFIT cover



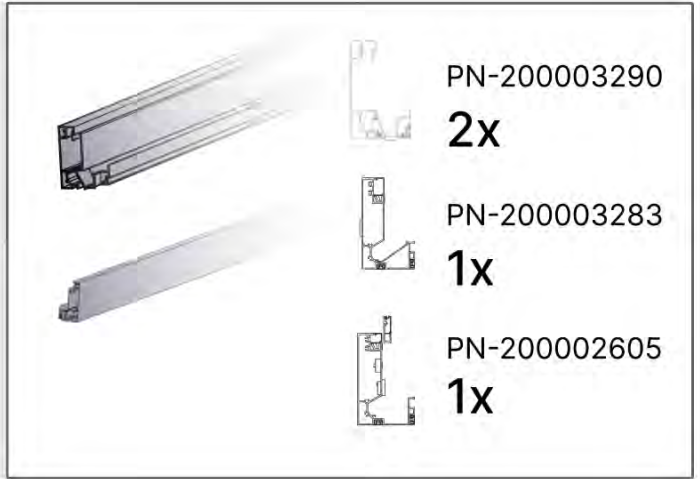
03



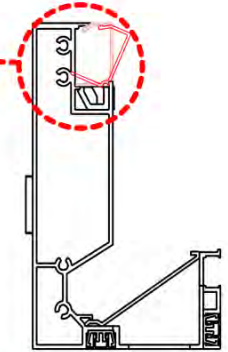
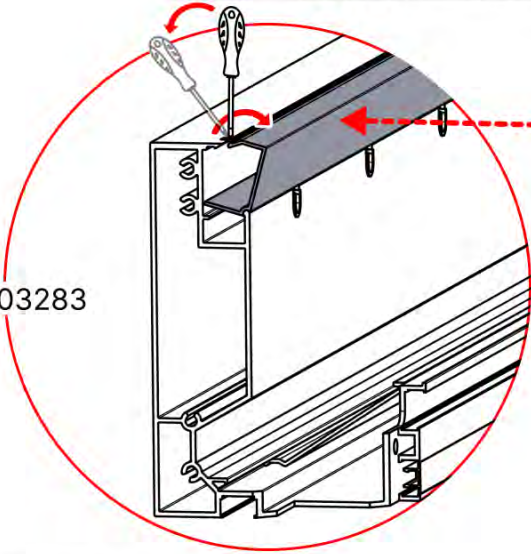
ANTHRACITE: B233
WHITE: B241
BLACK: B237



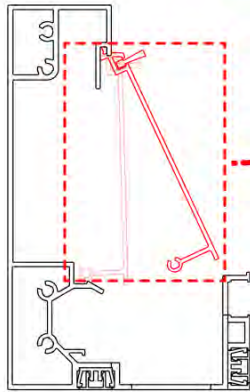
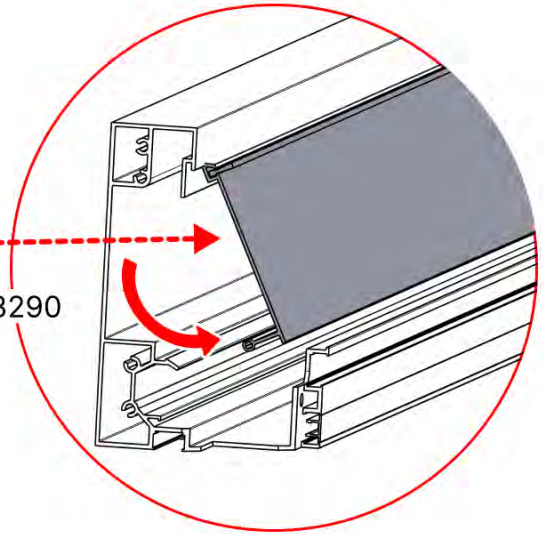
ANTHRACITE: B256
WHITE: B260
BLACK: B258



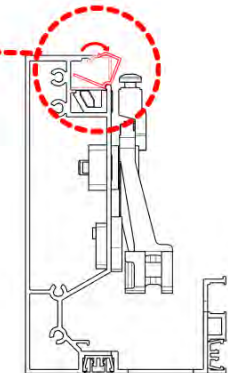
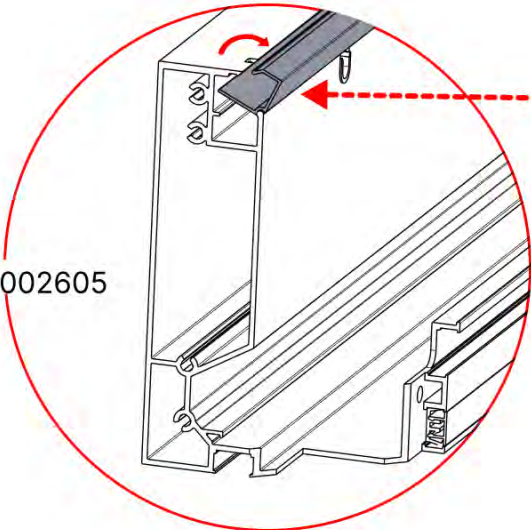
PN-200003283



PN-200003290



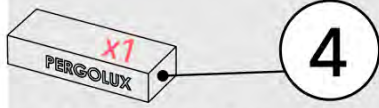
PN-200002605



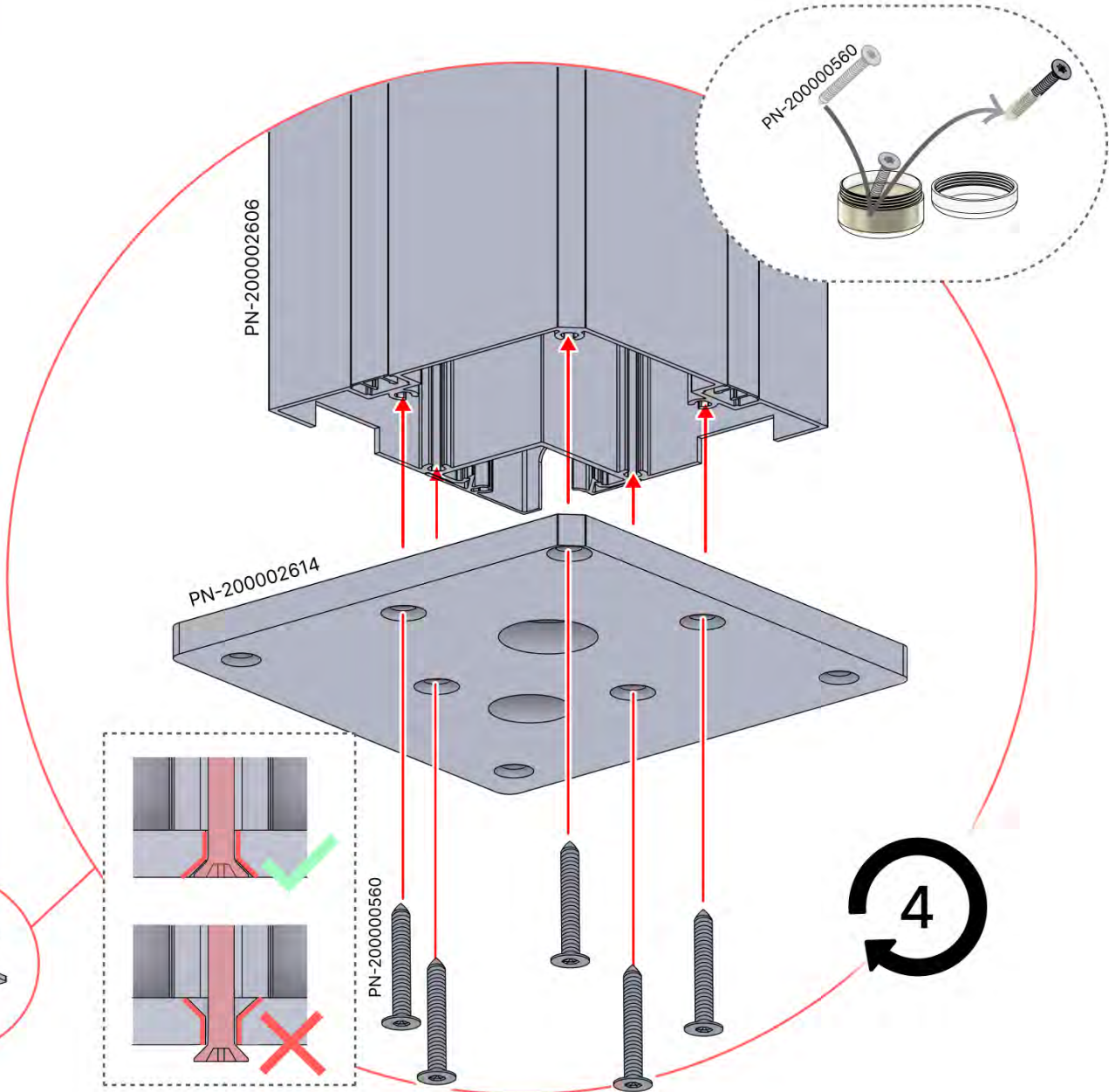
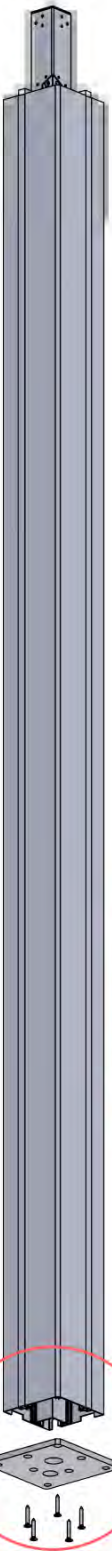
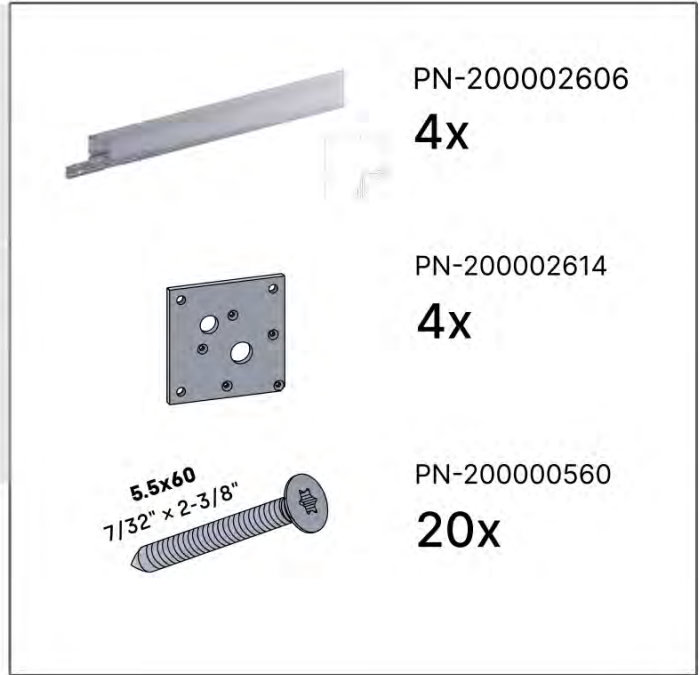
04



ANTHRACITE: C120
WHITE: C122
BLACK: C121



ANTHRACITE: B233
WHITE: B241
BLACK: B237



05

x2
PERGOLUX
PERGOLUX

1

ANTHRACITE: C120
WHITE: C122
BLACK: C121

x7
PERGOLUX

4

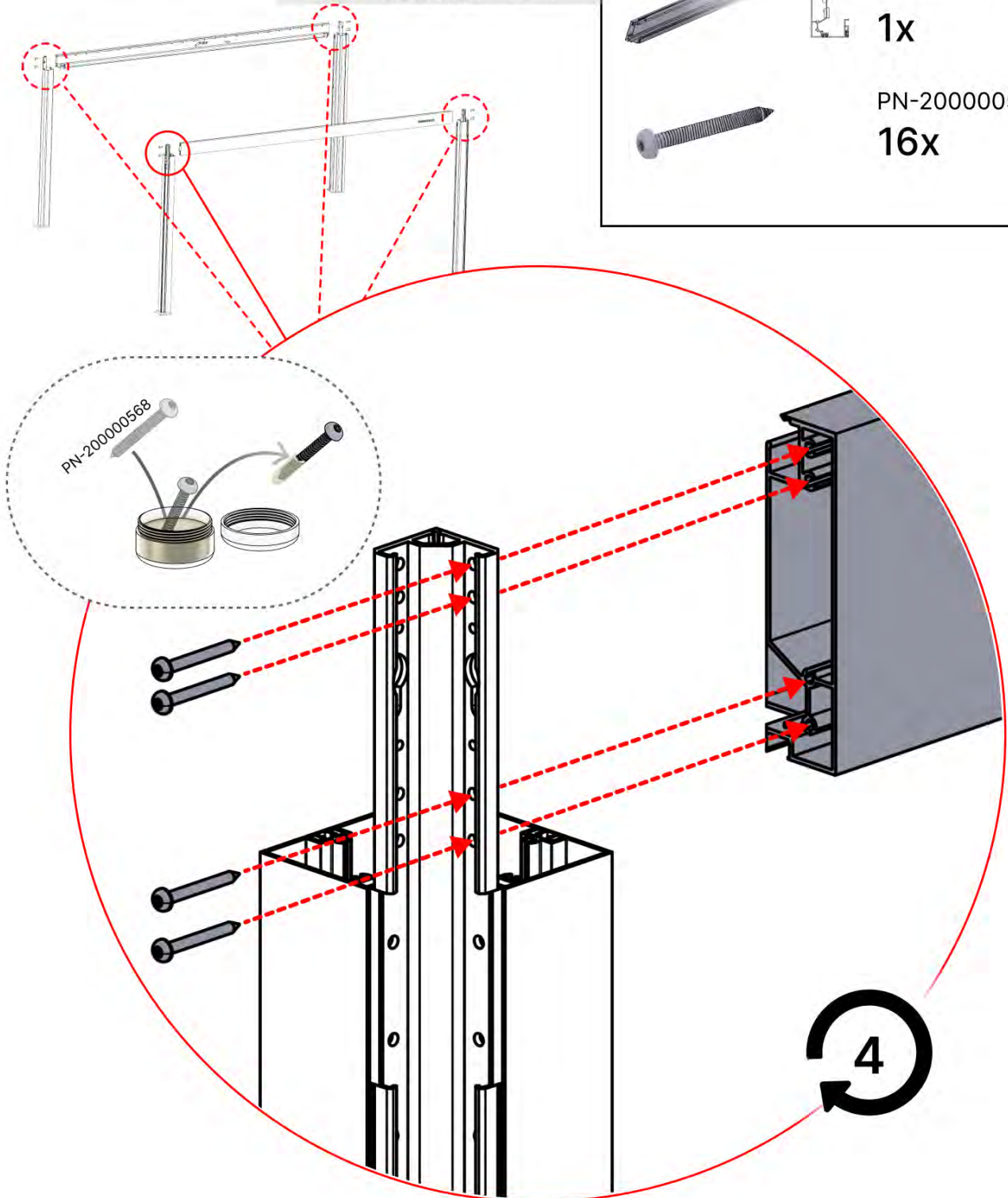
ANTHRACITE: B233
WHITE: B241
BLACK: B237

PN-200002606
4x

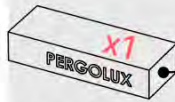
PN-200003283
1x

PN-200002605
1x

PN-200000568
16x

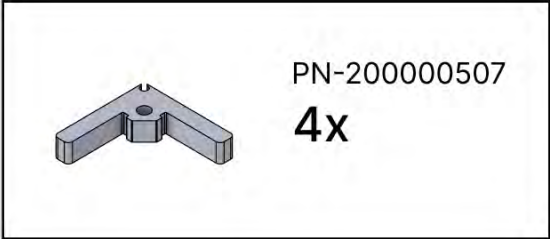


06



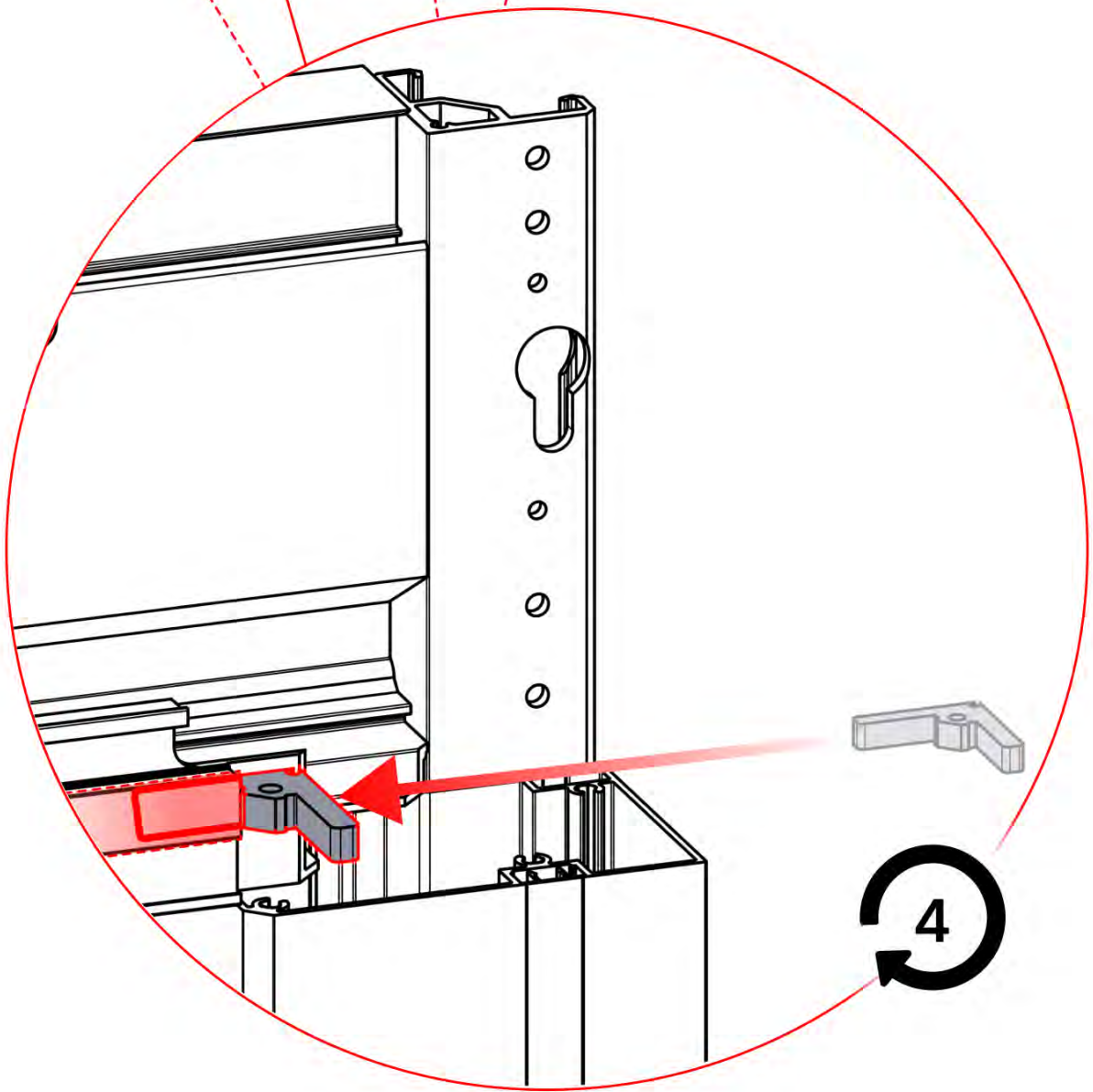
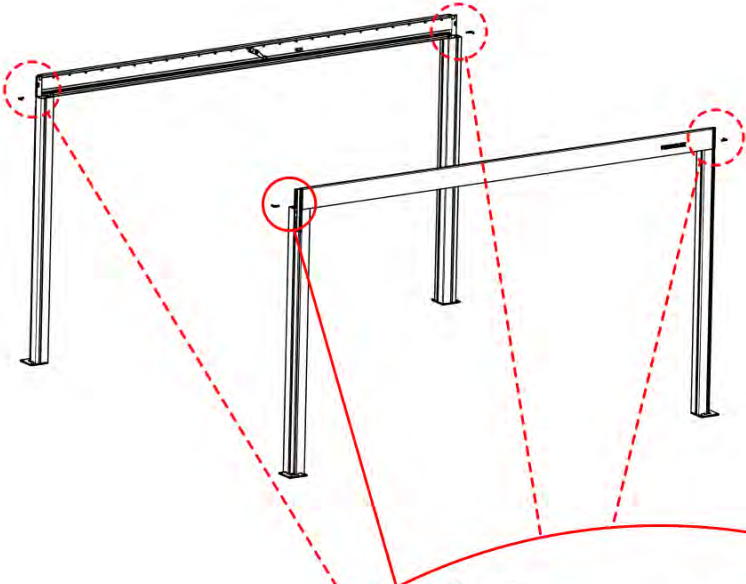
4

ANTHRACITE: B233
WHITE: B241
BLACK: B237



PN-200000507

4x

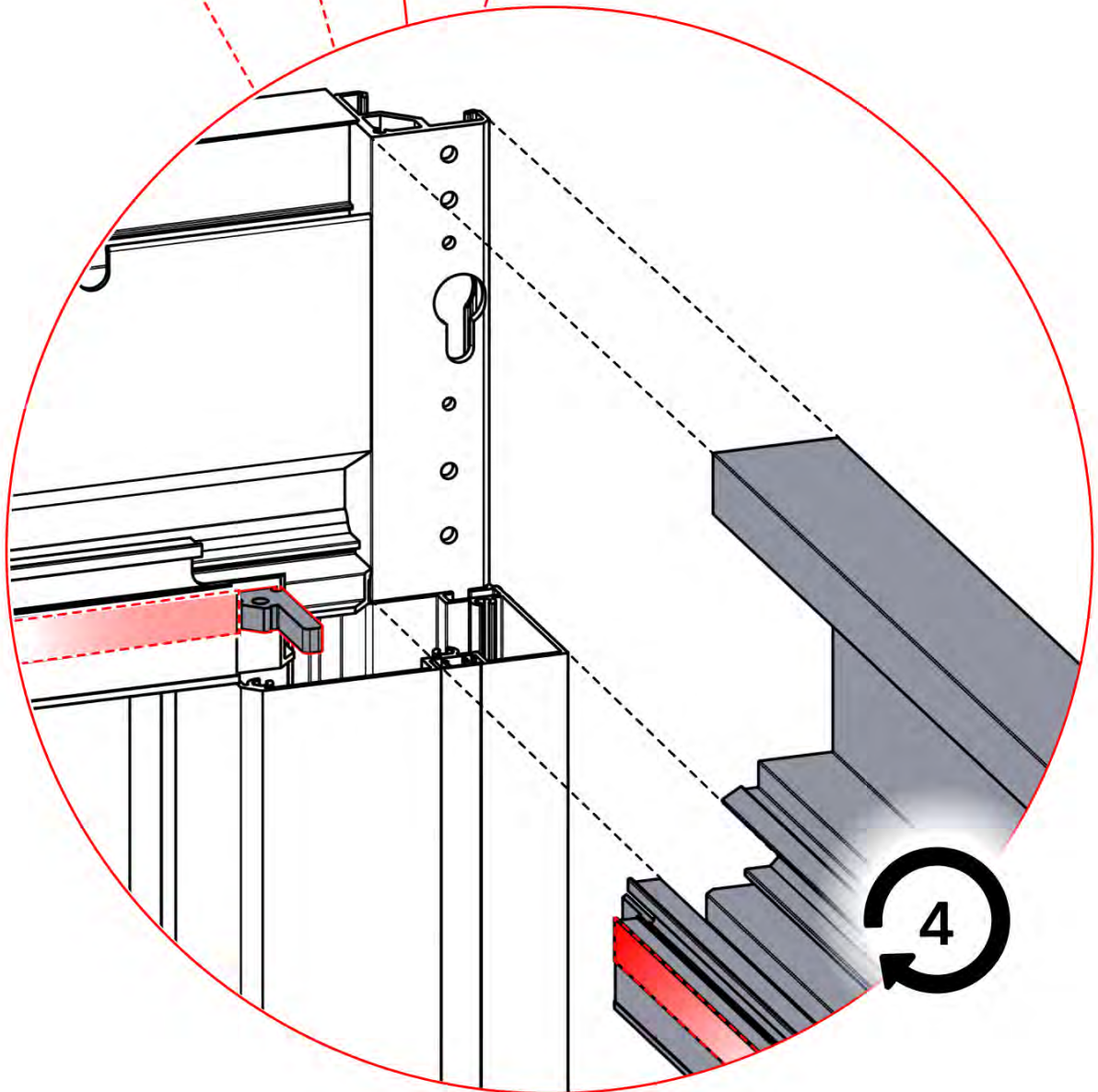
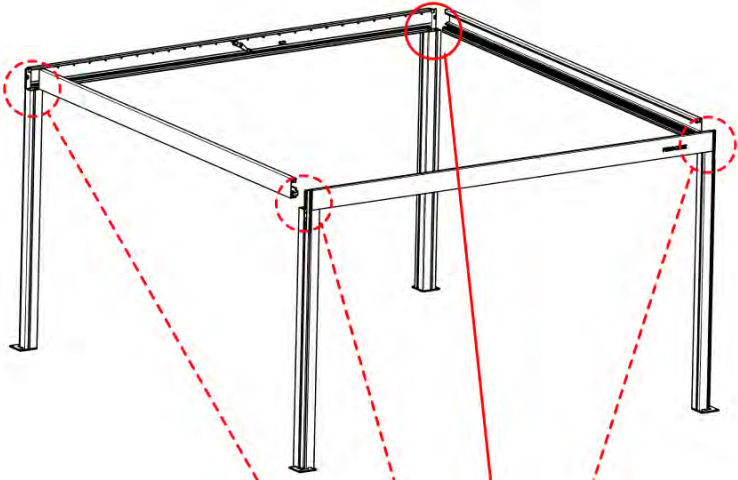
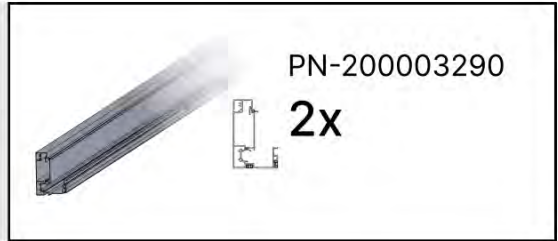


07



5

ANTHRACITE: B256
WHITE: B260
BLACK: B258

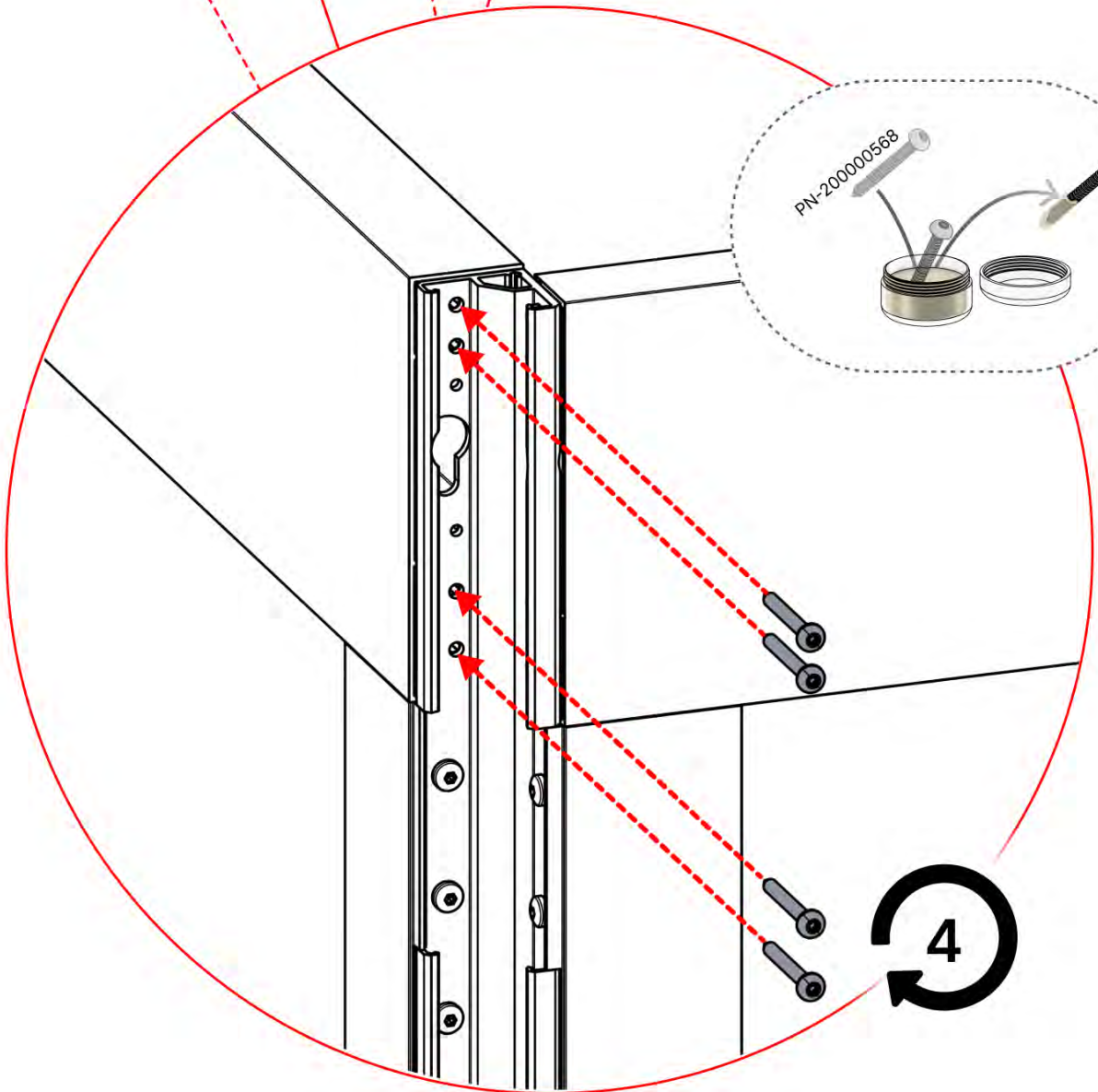
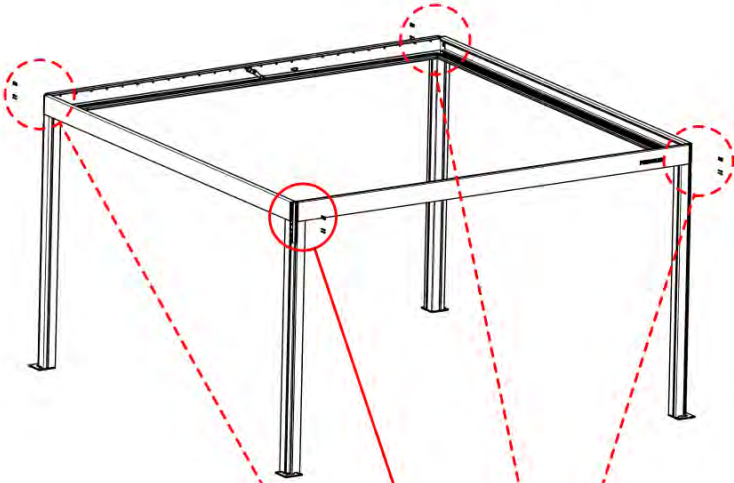


08

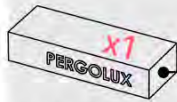


4

ANTHRACITE: B233
WHITE: B241
BLACK: B237



09



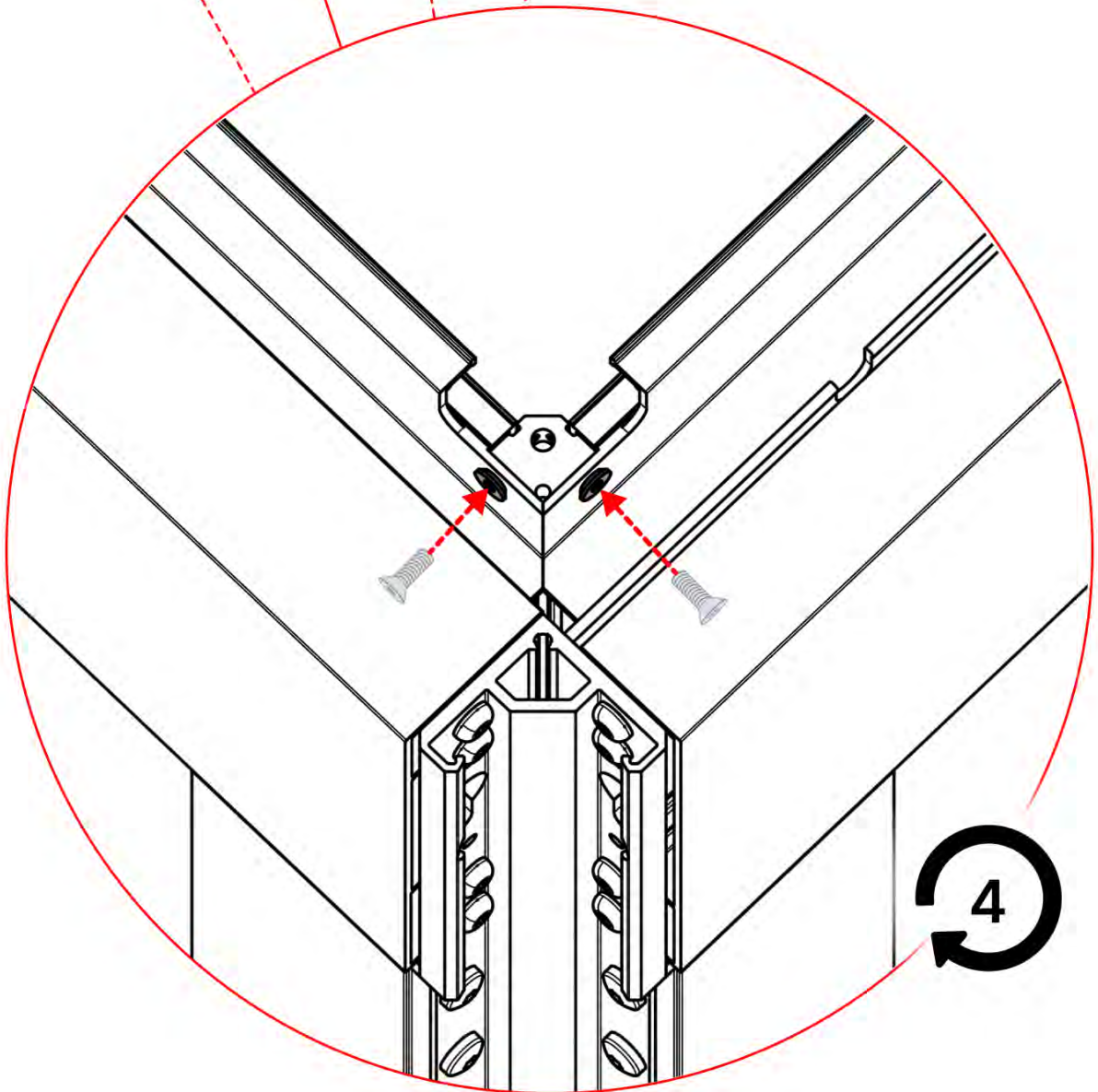
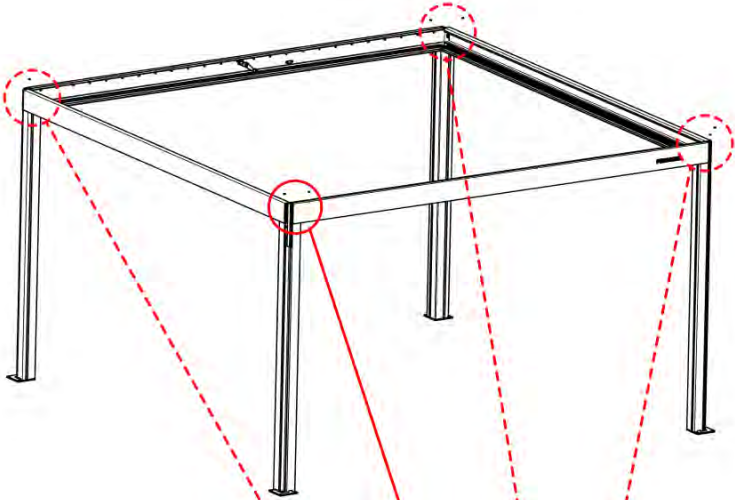
4

ANTHRACITE: B233
WHITE: B241
BLACK: B237



PN-200000569

8x



10



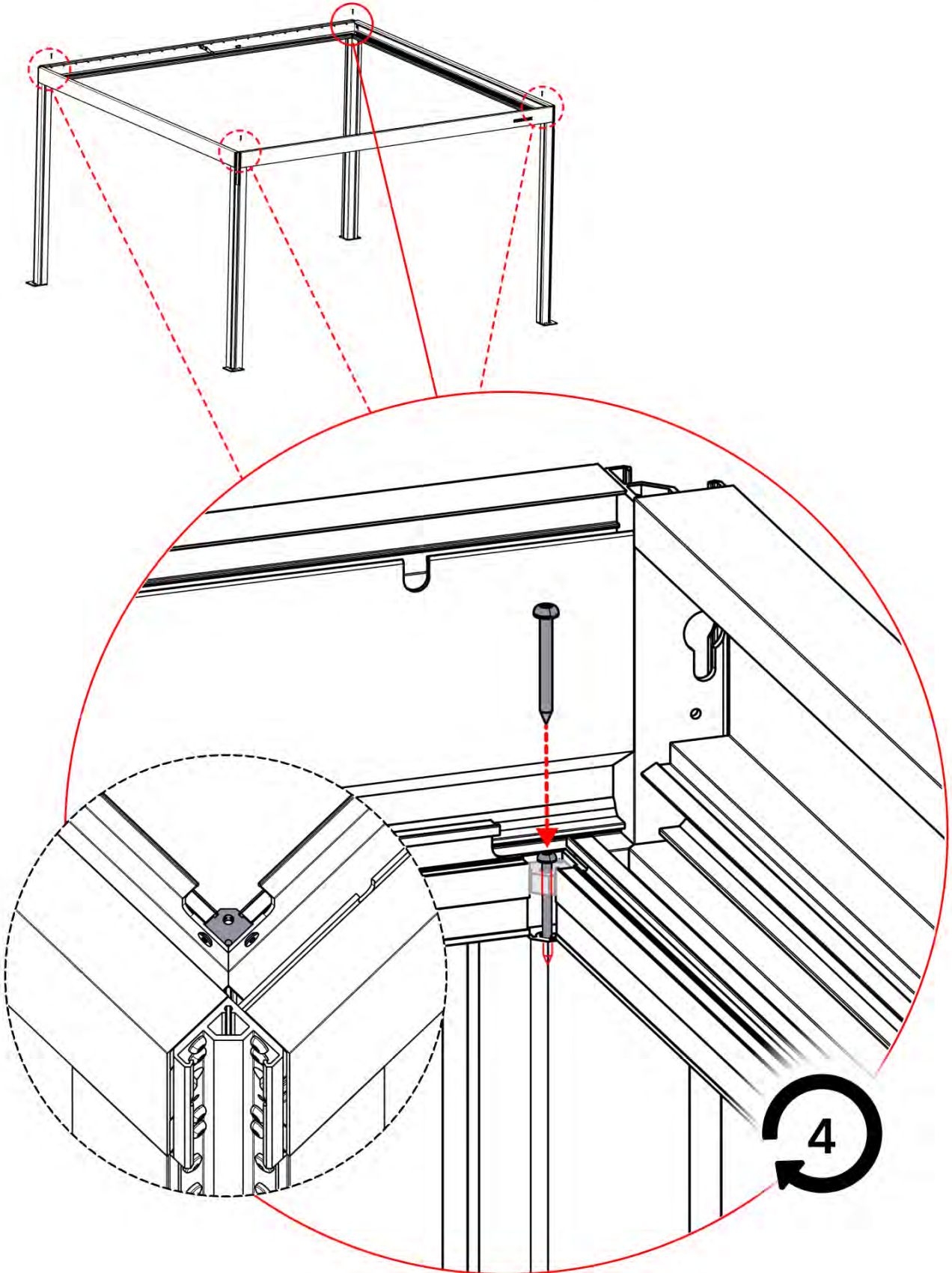
4

ANTHRACITE: B233
WHITE: B241
BLACK: B237



PN-200000960

4x

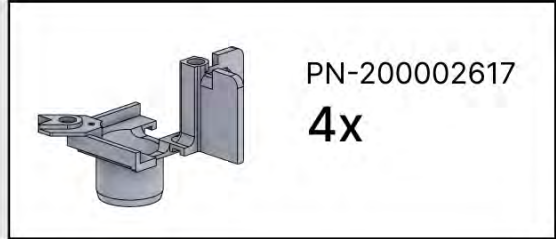


11



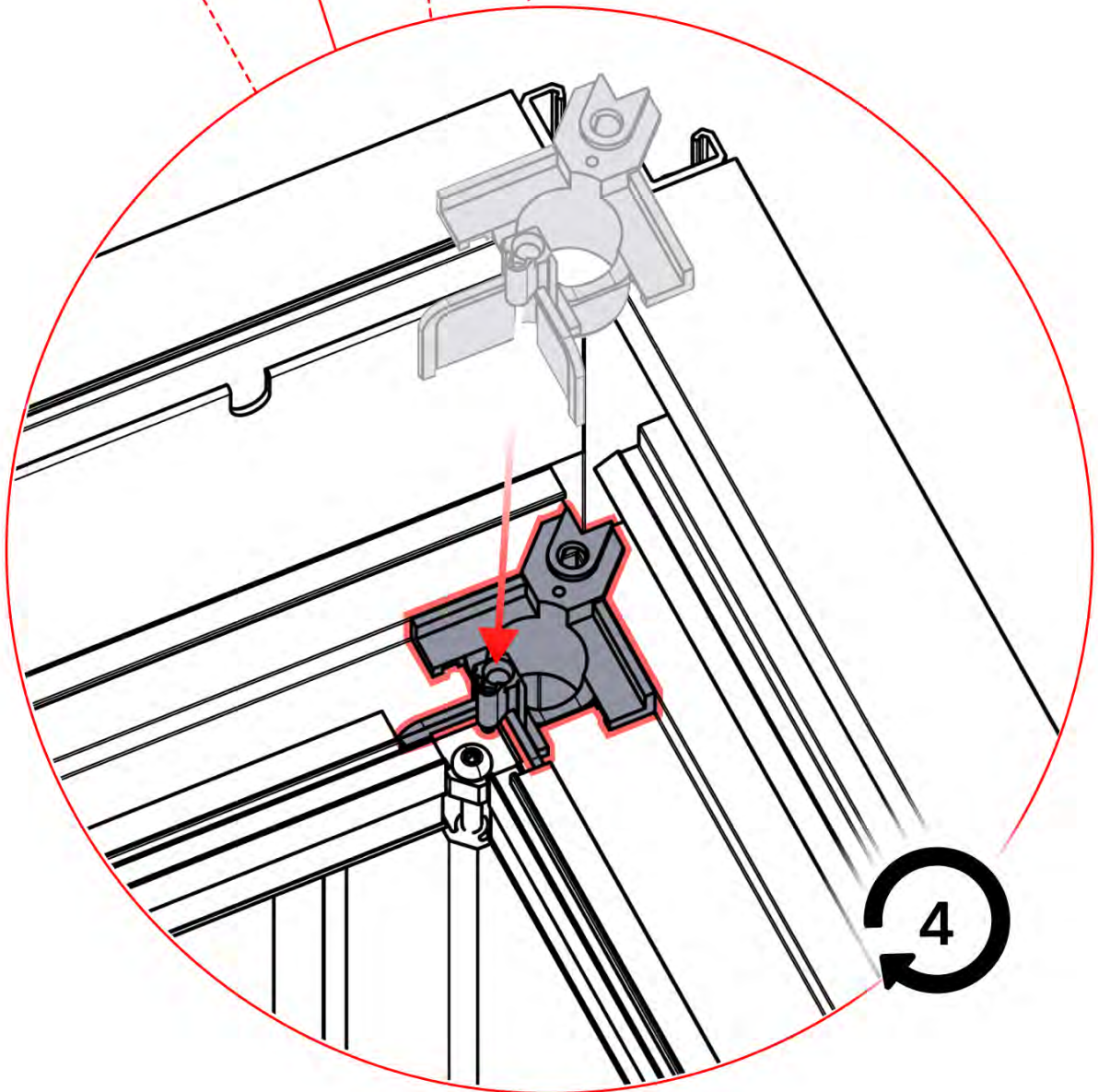
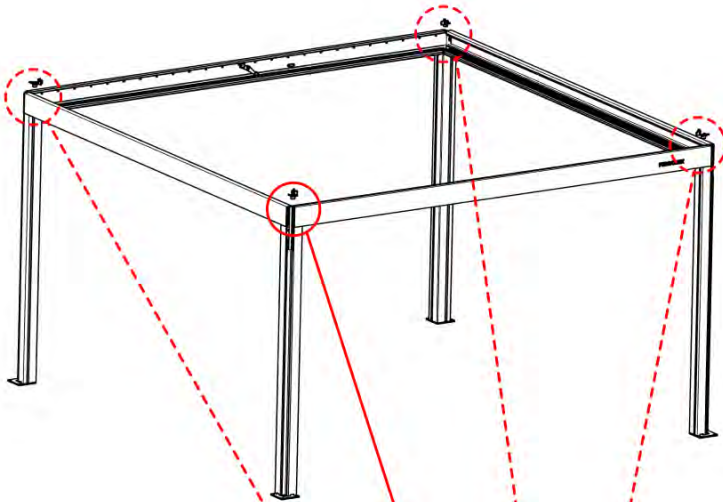
4

ANTHRACITE: B233
WHITE: B241
BLACK: B237



PN-200002617

4x



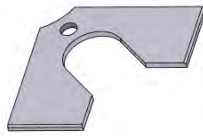
12

x1
PERGOLUX

4

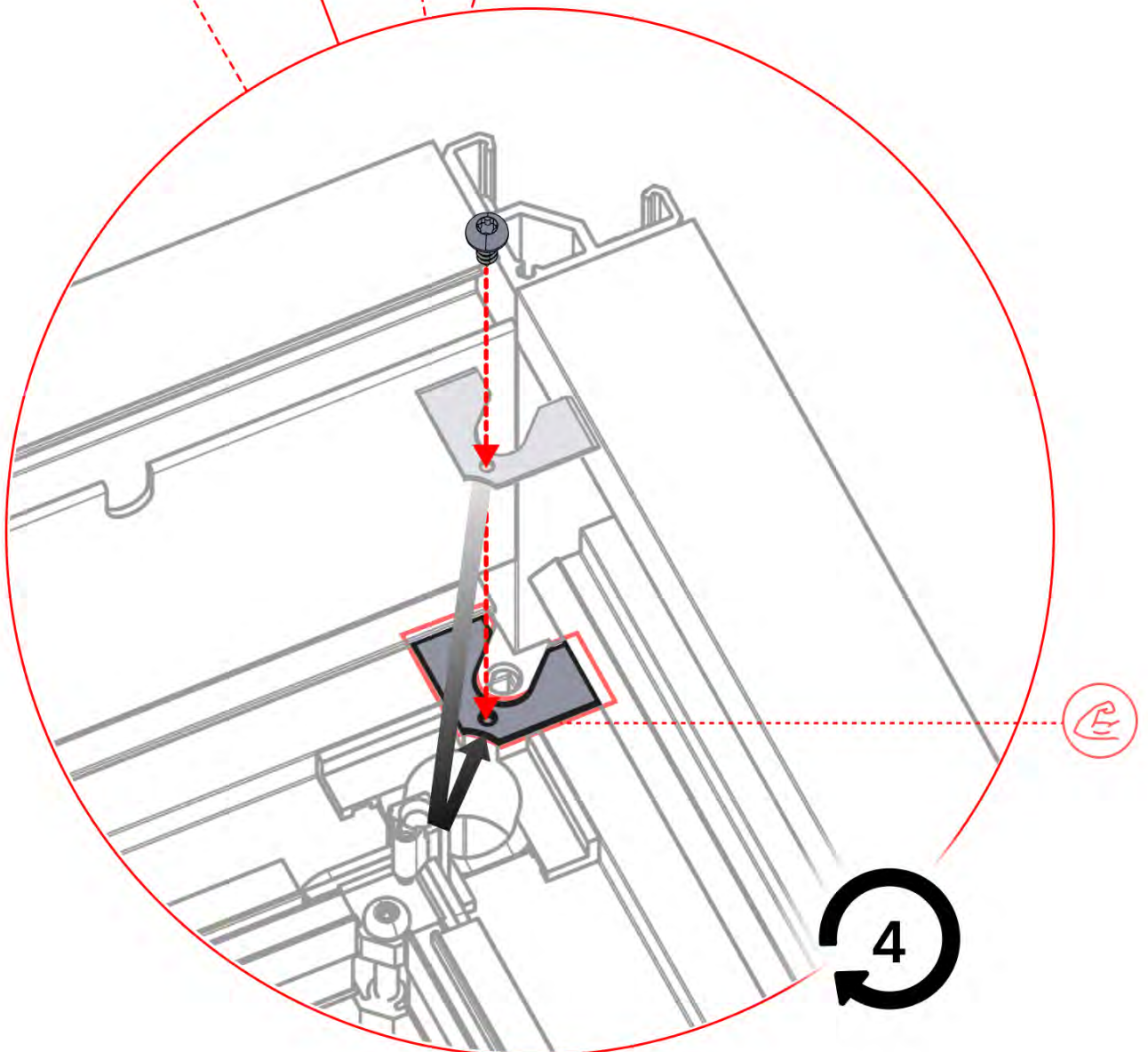
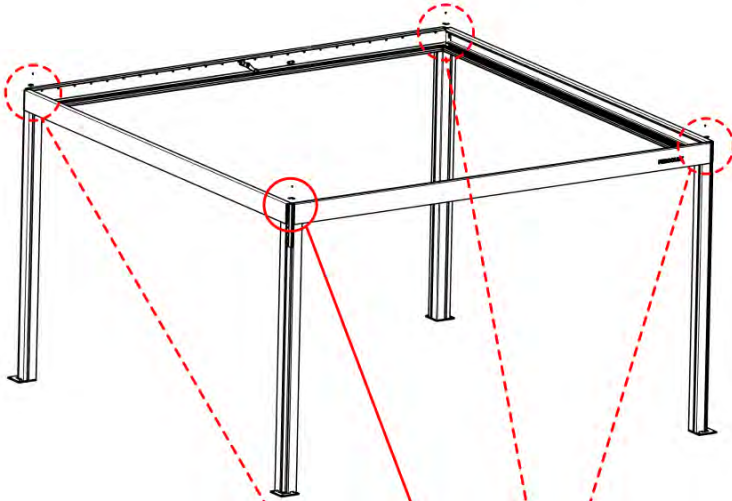

ANTHRACITE: B233
WHITE: B241
BLACK: B237

PN-200002618
4x



PN-200000571
4x

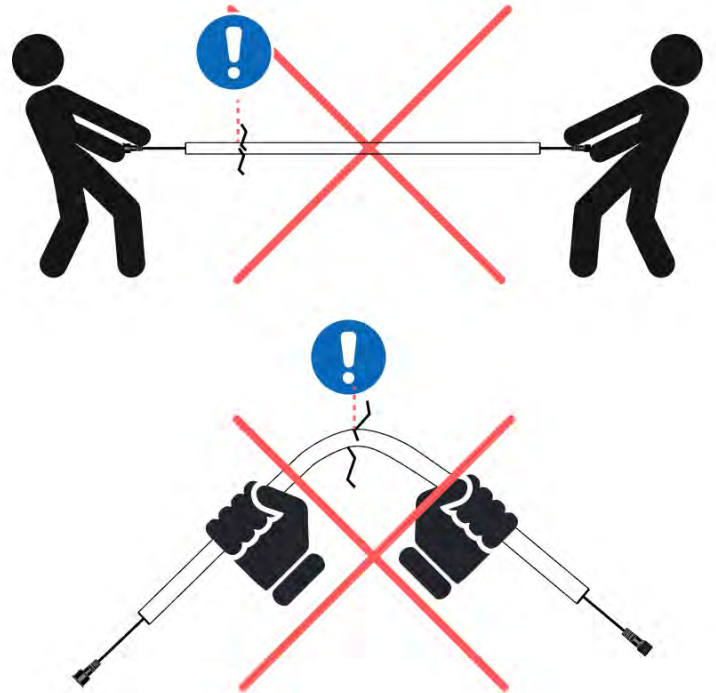
3.5x8
6 x 5/16"



IMPORTANT INFORMATION

Handle with care.

When installing the light strip, do not pull or bend the wires on both sides with force, as this may cause the solder joints to fall off.

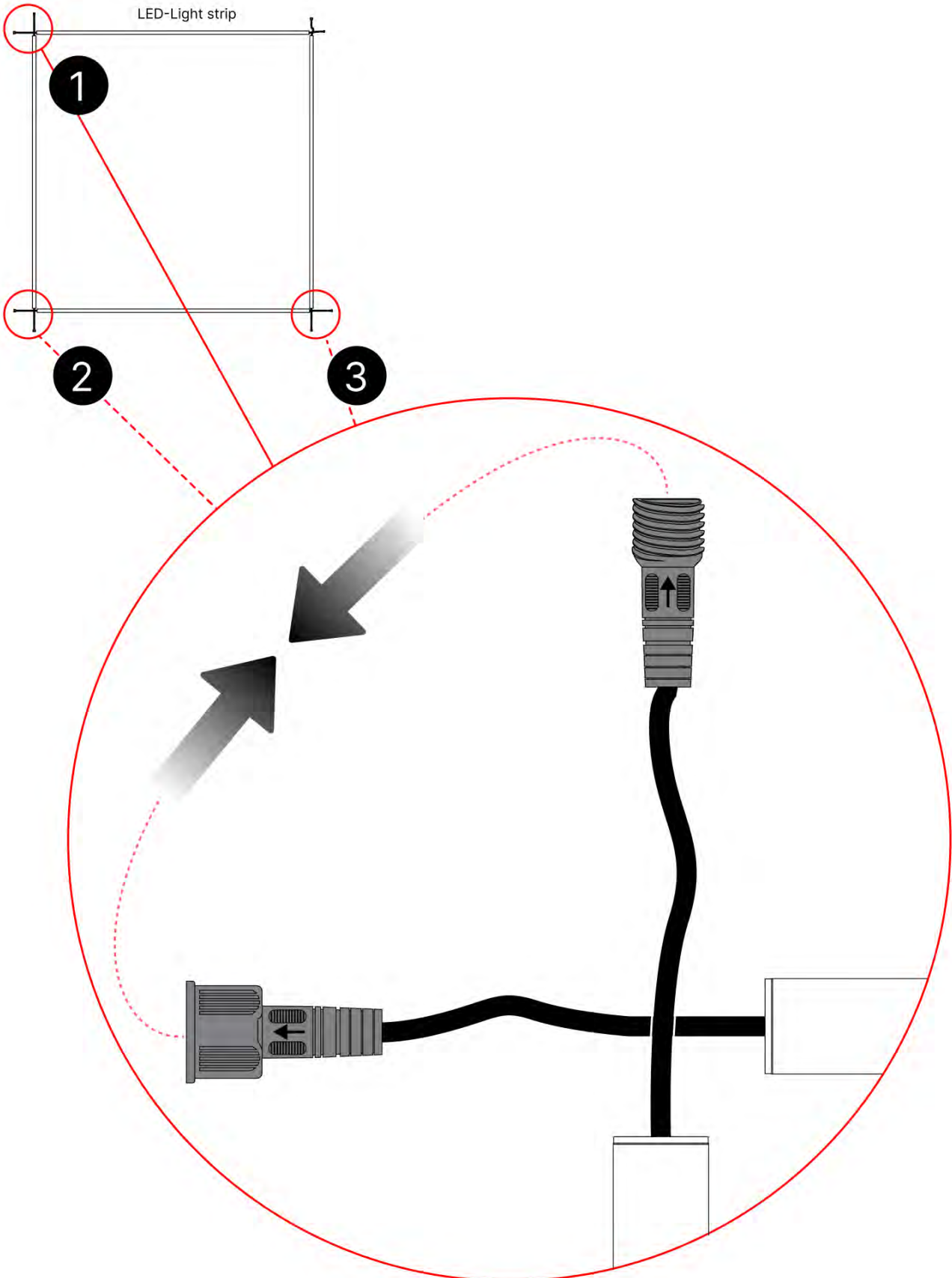


Important! Please watch all the videos before starting the assembly.

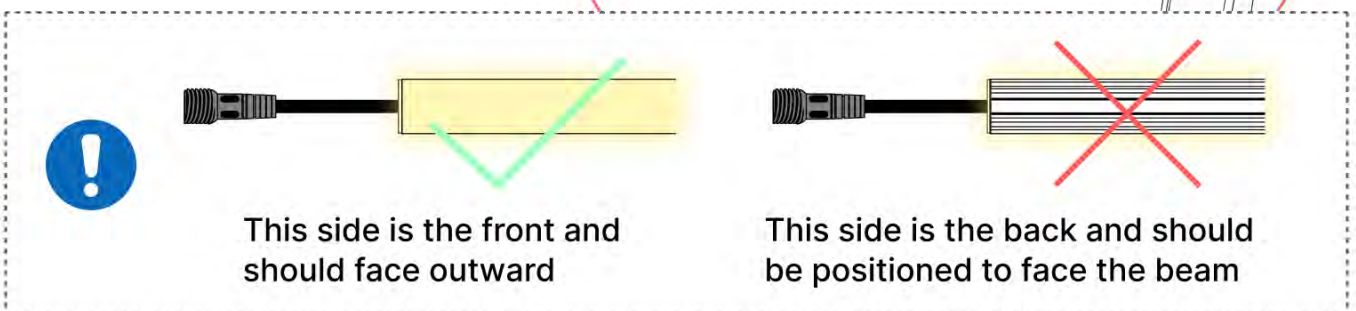
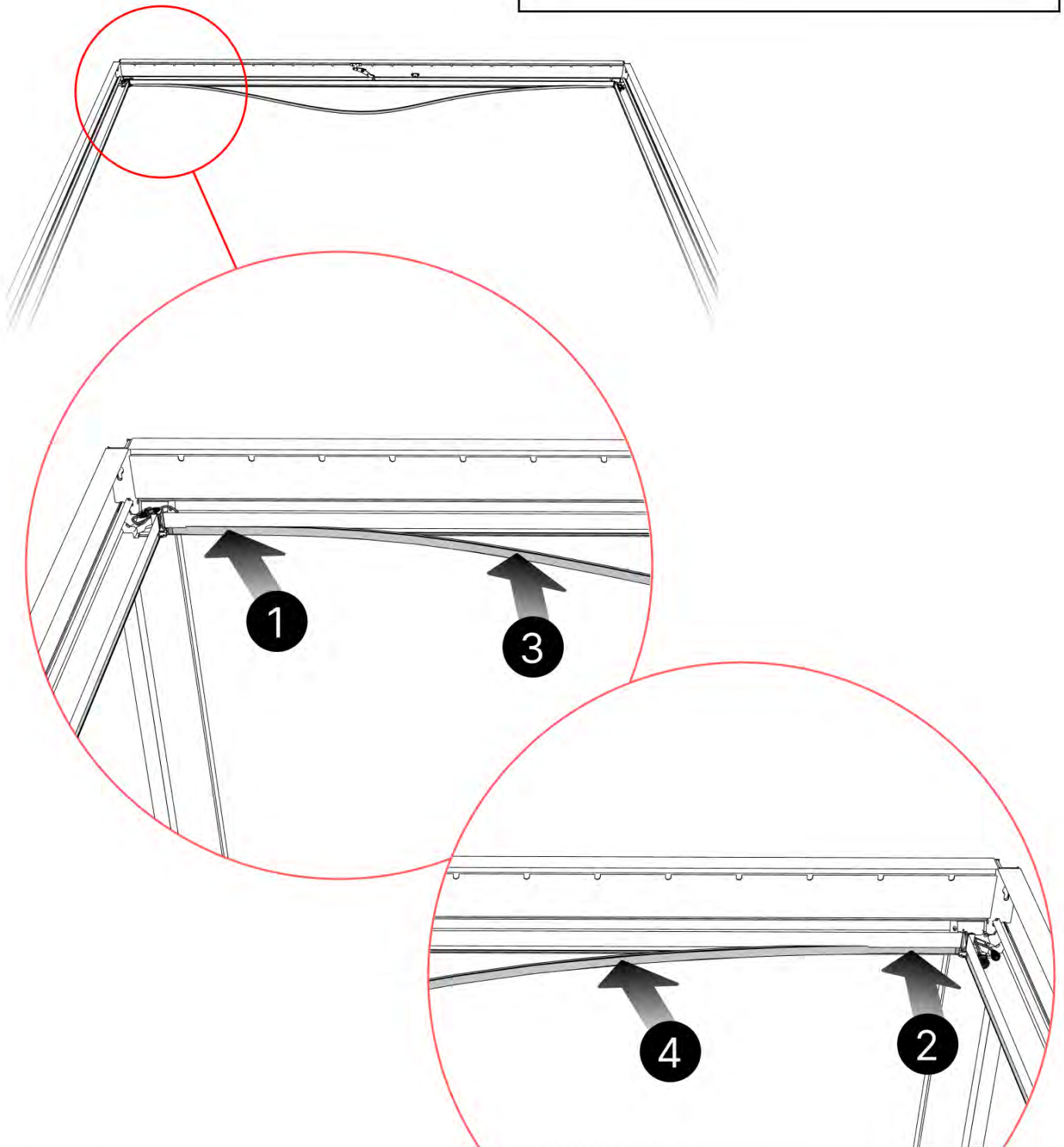
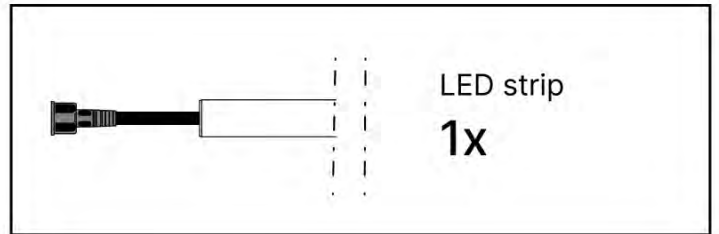
The videos contain important information relevant to the assembly process.



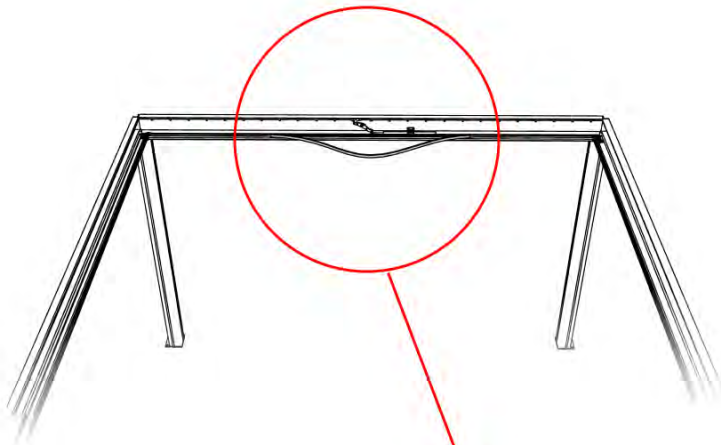
INFORMATION



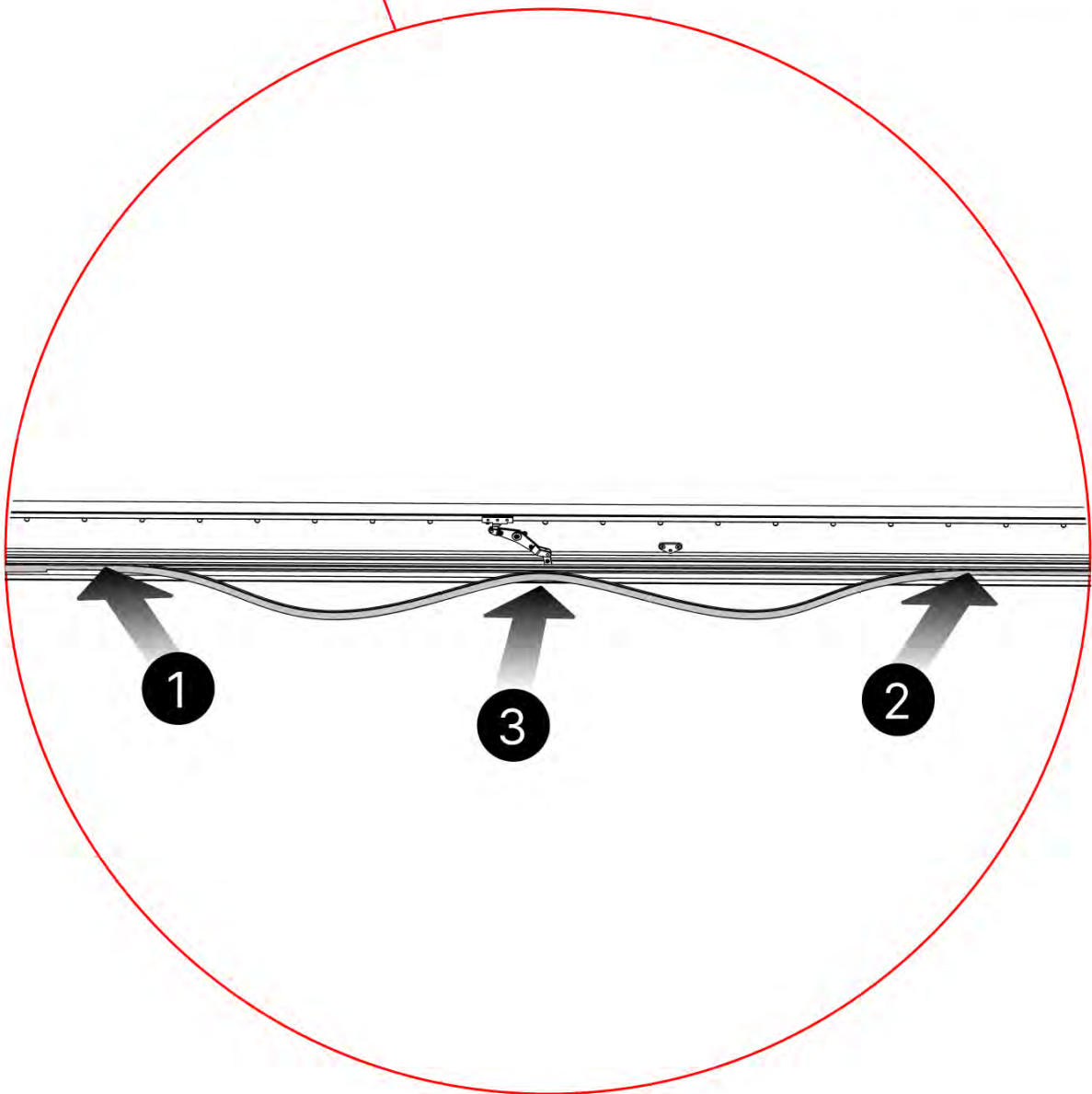
13



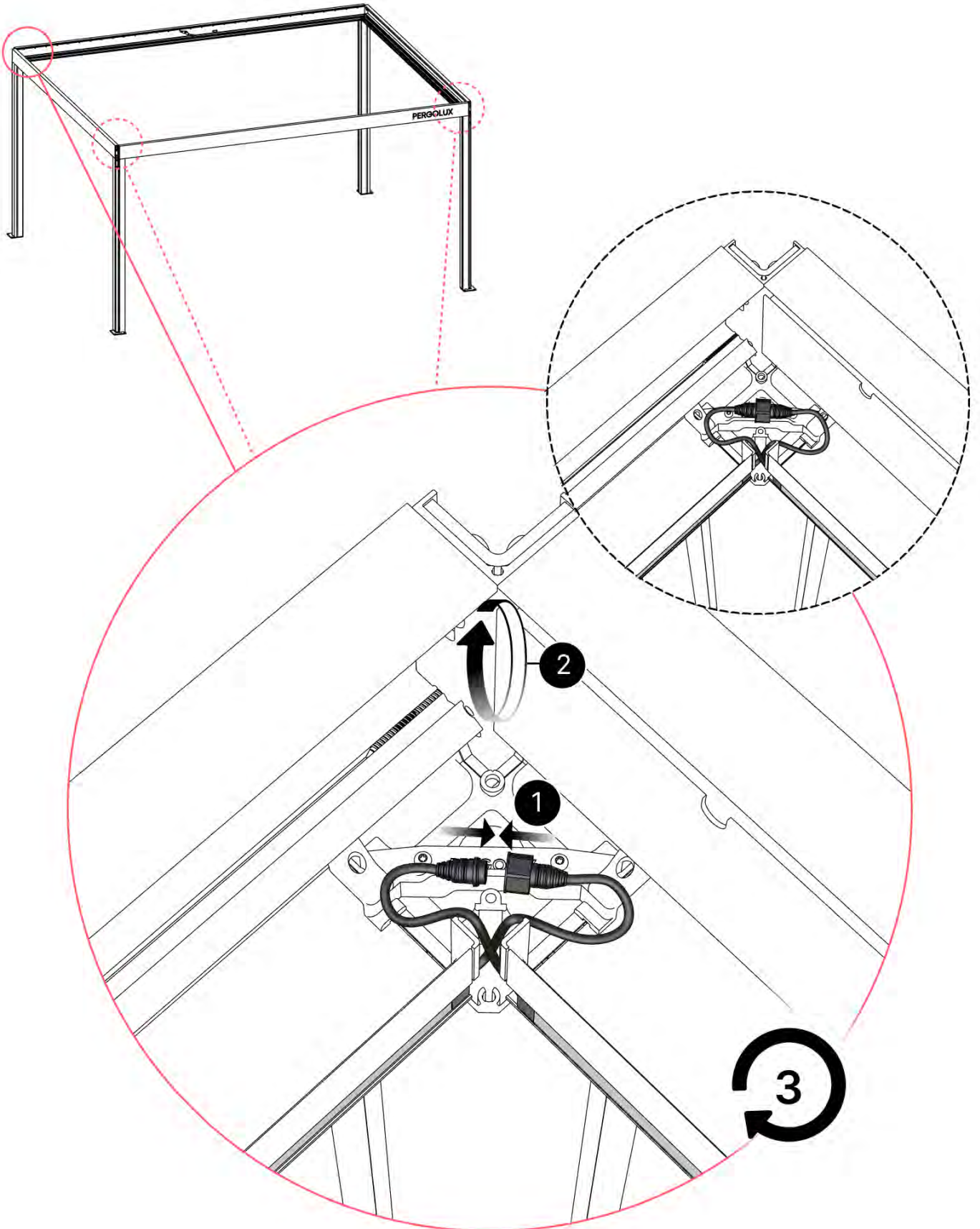
14



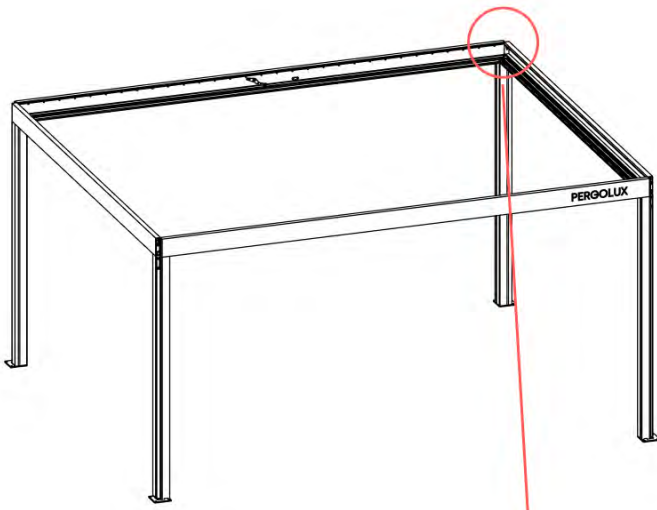
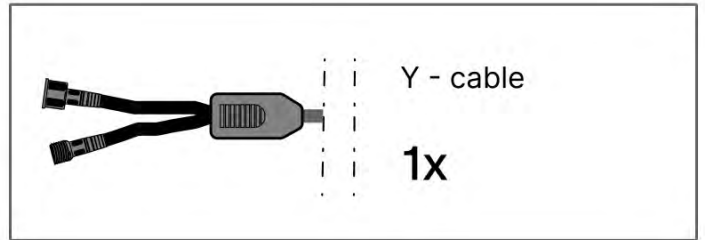
Tip: For a smoother LED installation, spray the track with soapy water before mounting.



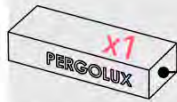
15



16

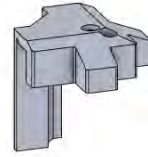


17



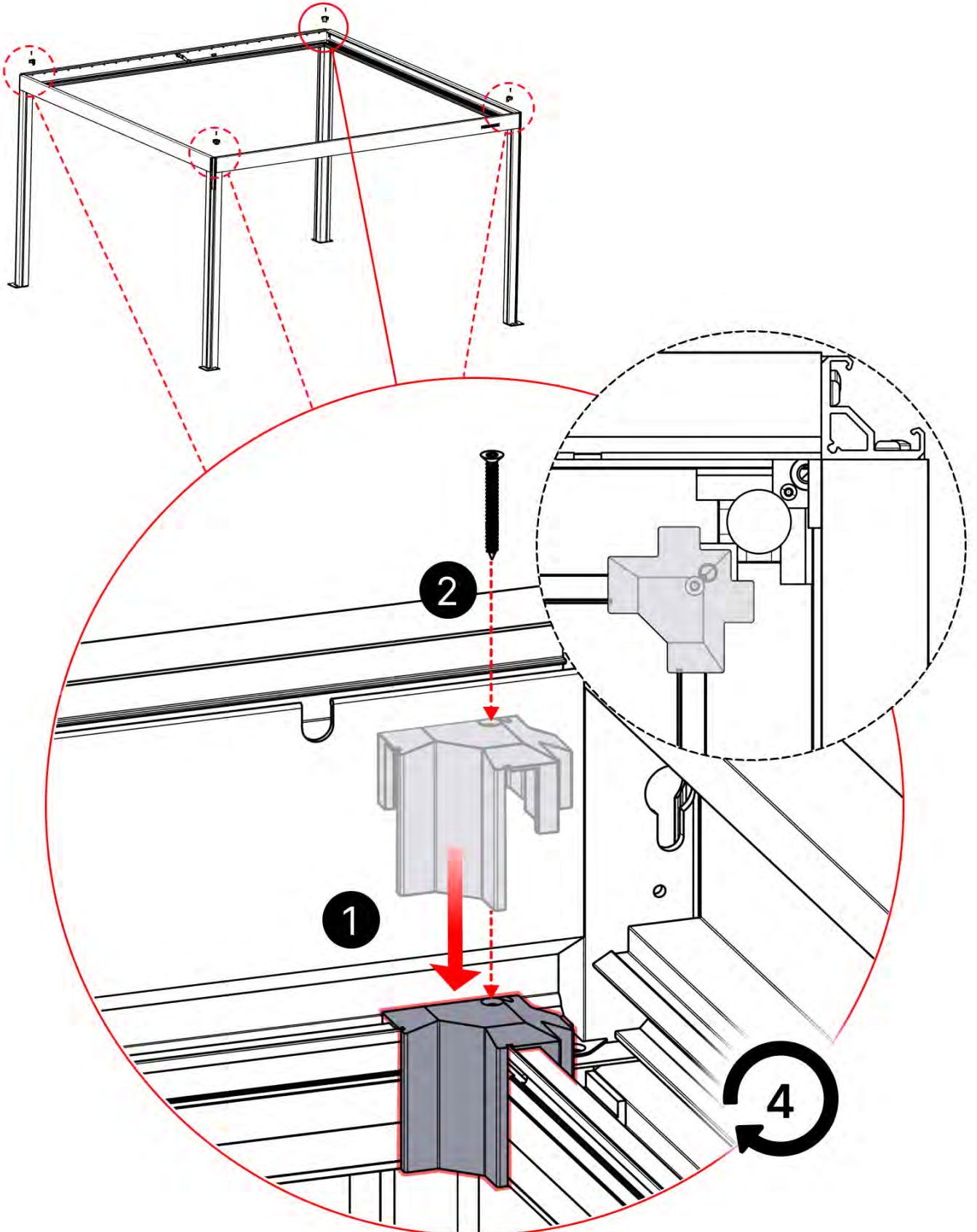
4

ANTHRACITE: B233
WHITE: B241
BLACK: B237

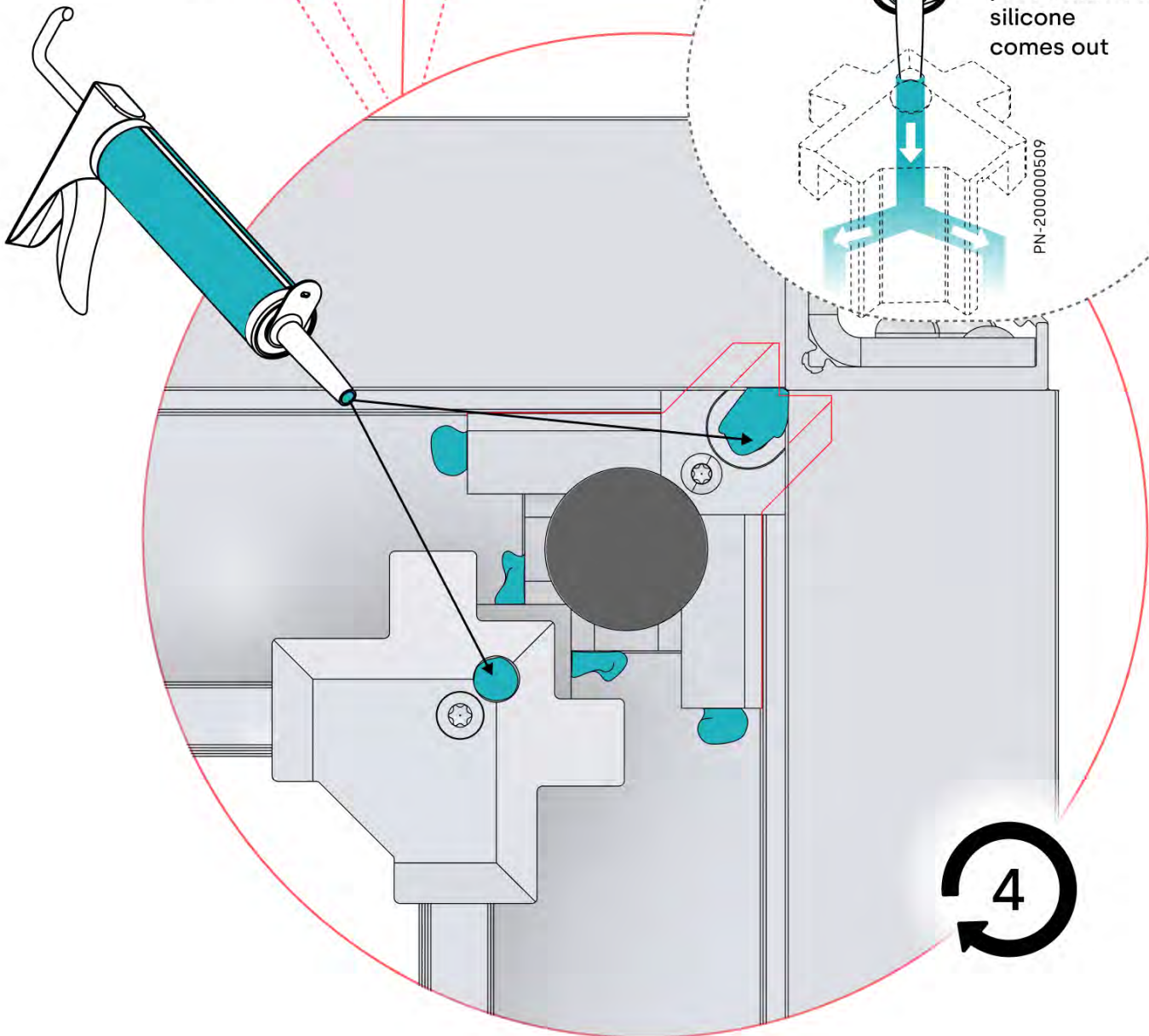
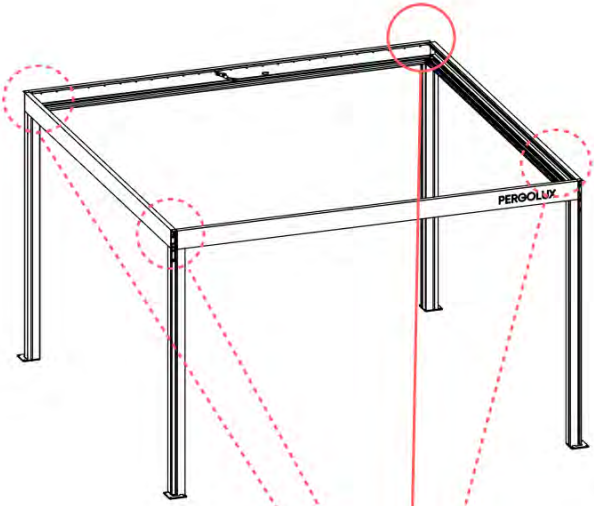
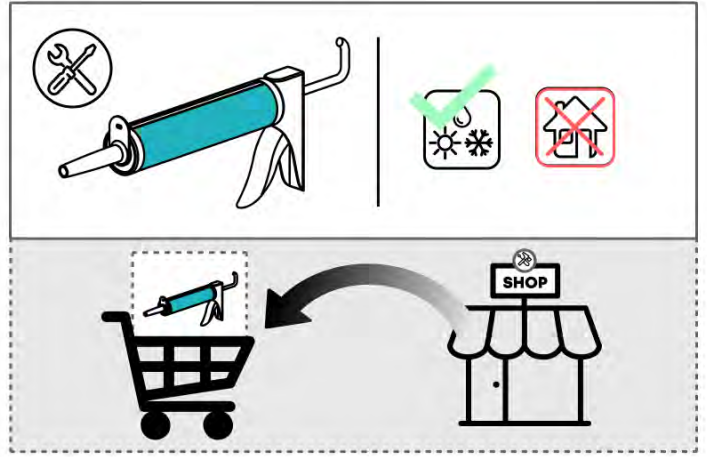


PN-200002625

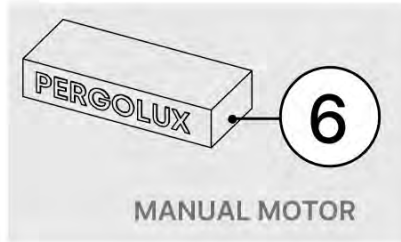
4x



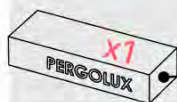
18



19



20

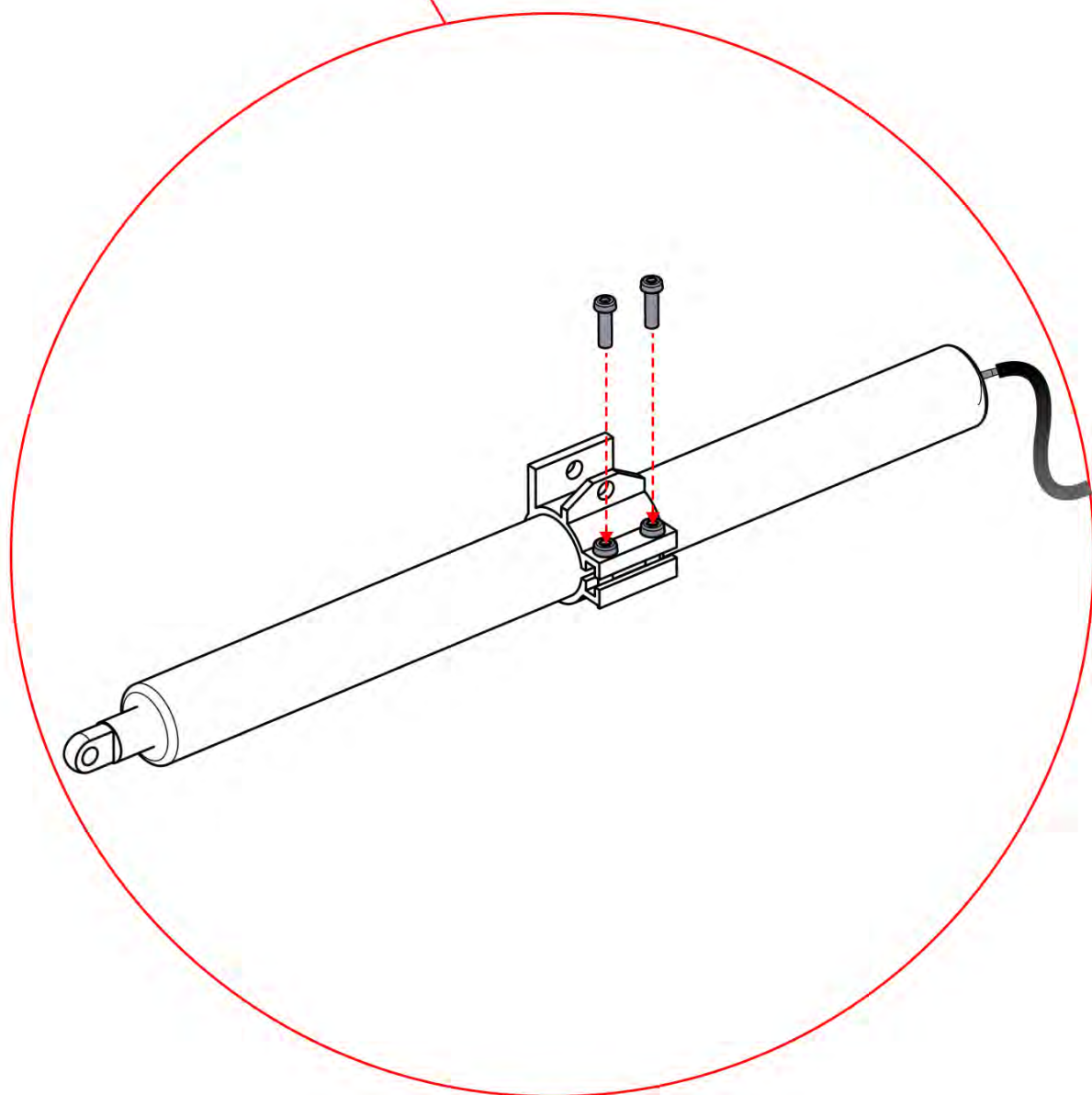
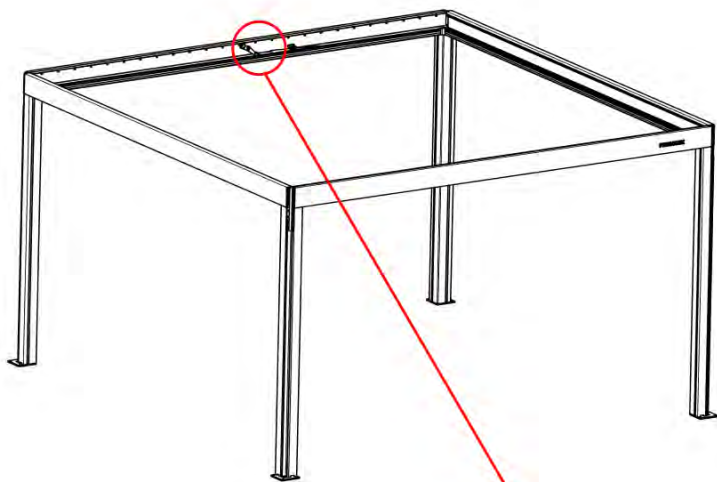


4

ANTHRACITE: B233
WHITE: B241
BLACK: B237



PN-200001625
2x



21

x7
PERGOLUX

4

ANTHRACITE: B233
WHITE: B241
BLACK: B237



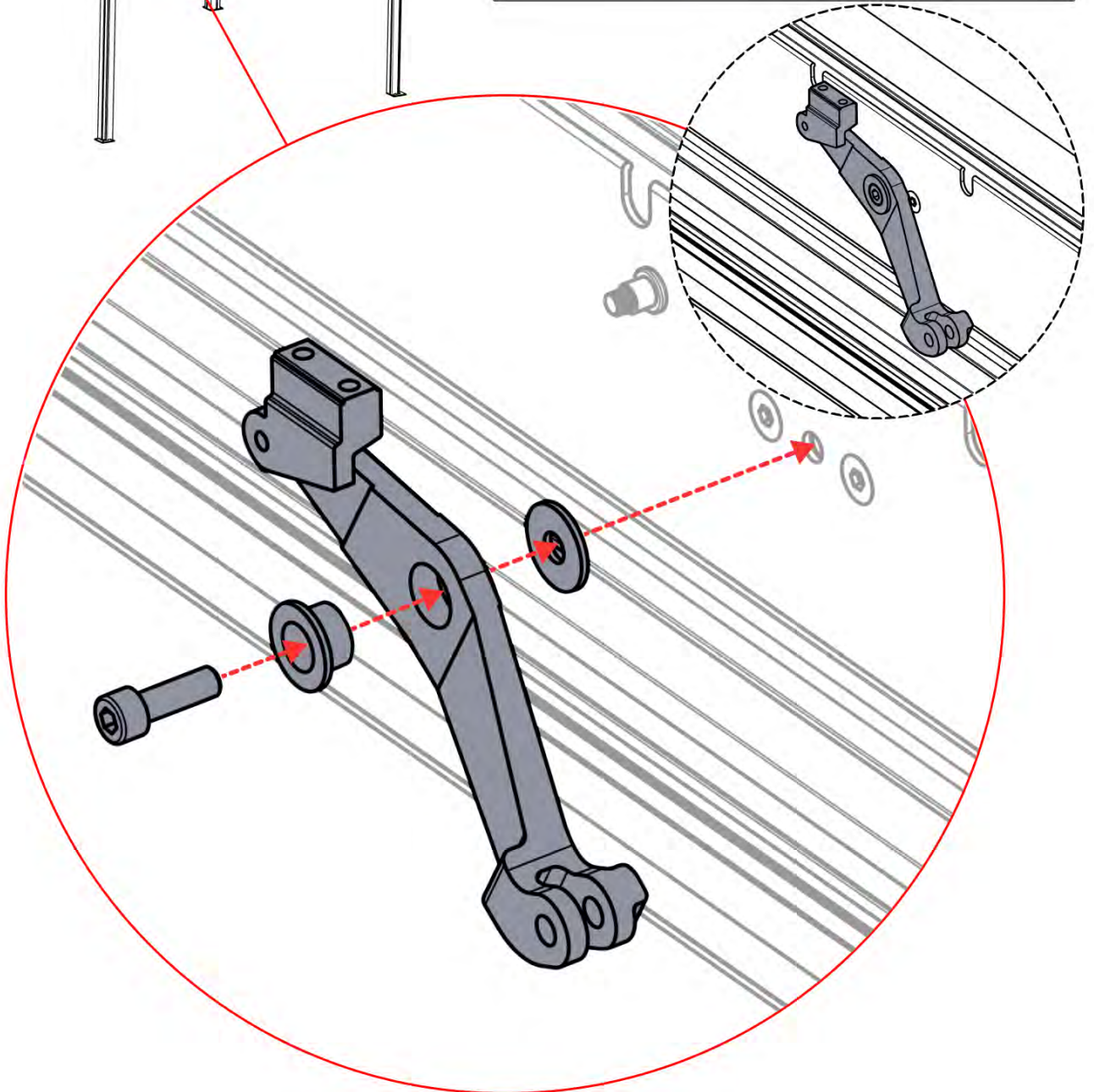
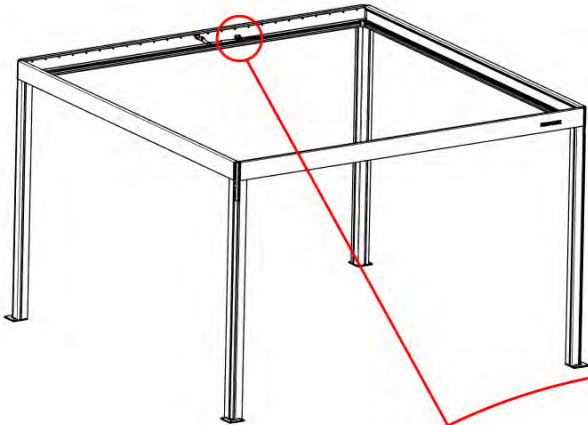
PN-200003372
1x

PN-200000502
1x

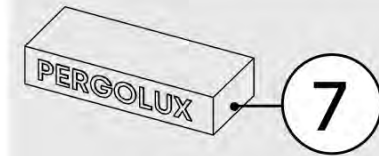
PN-200003373
1x

PN-200000561
1x

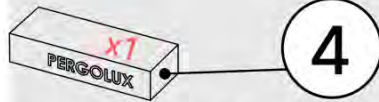
8x25



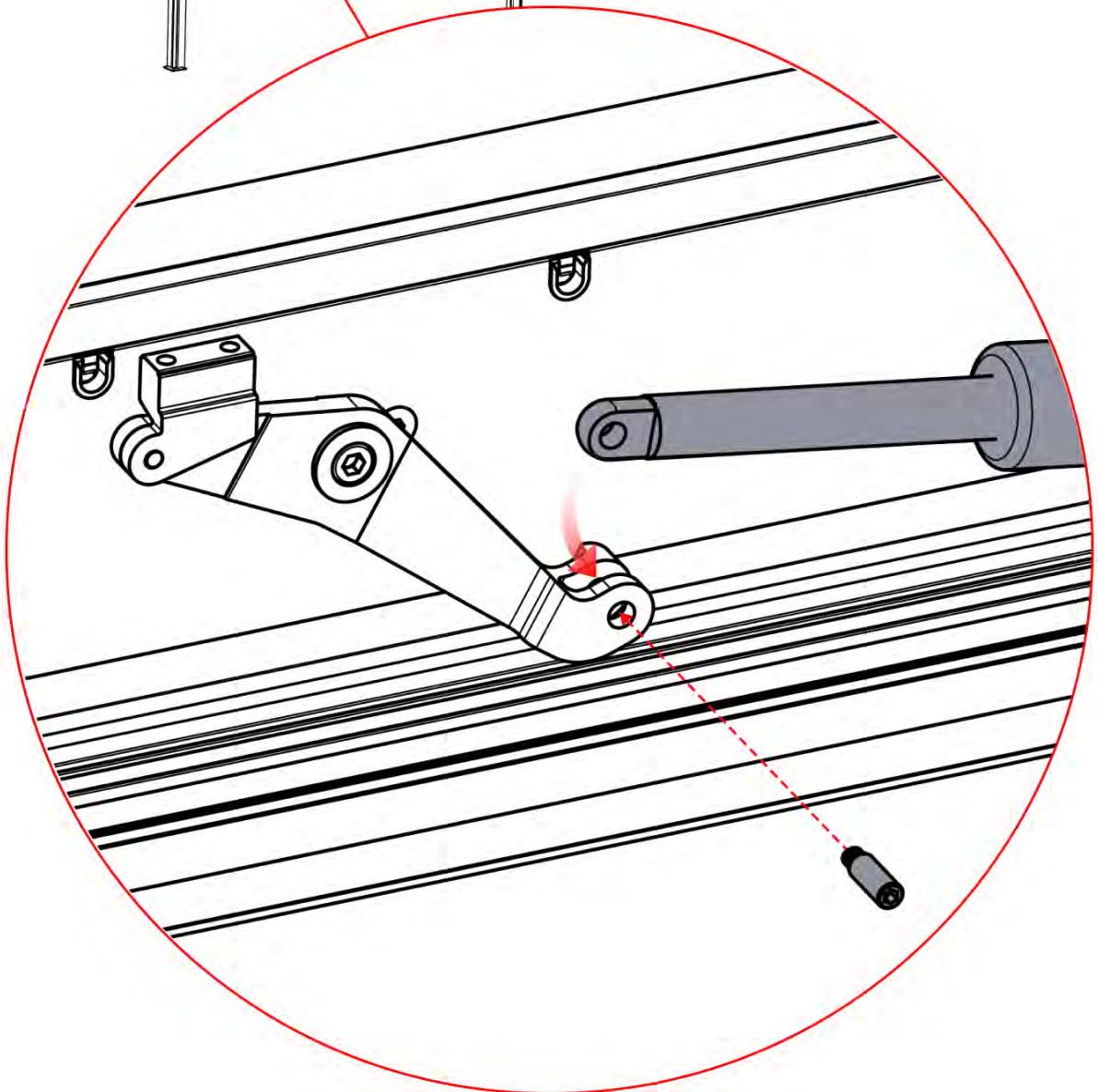
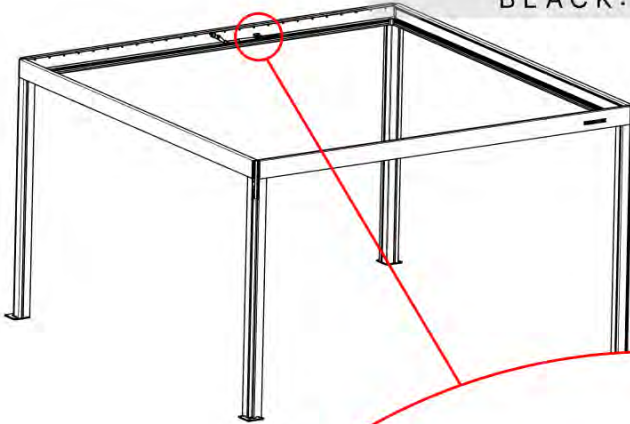
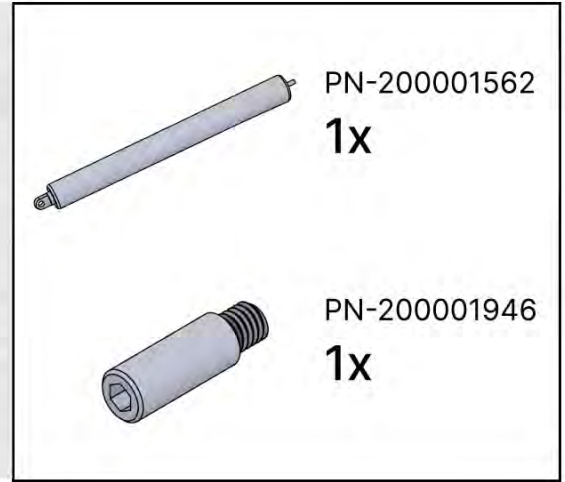
22



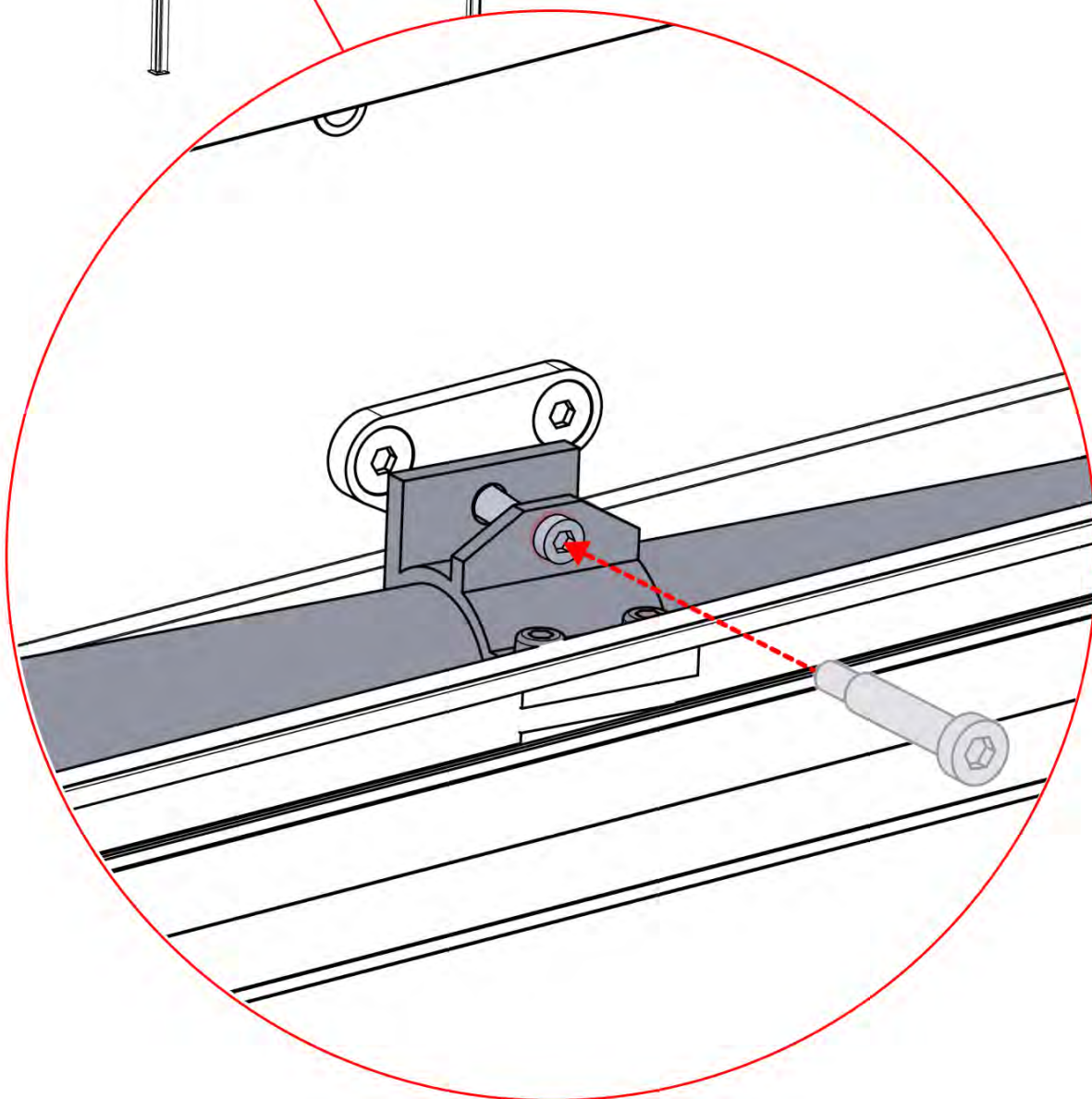
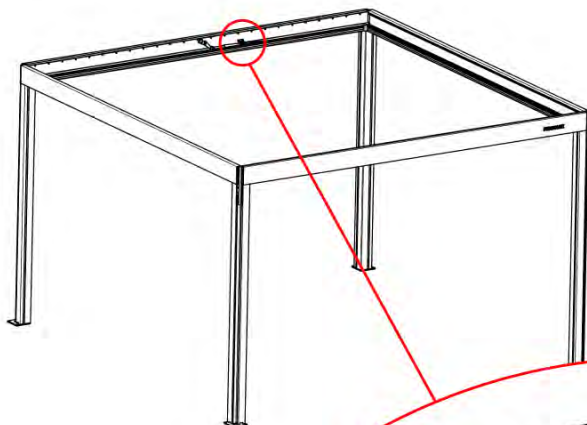
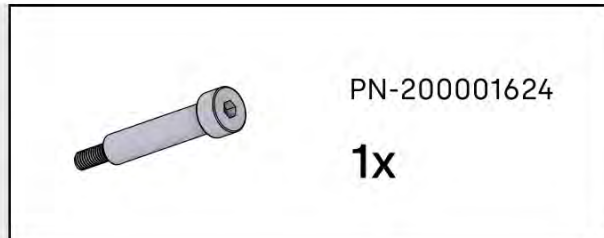
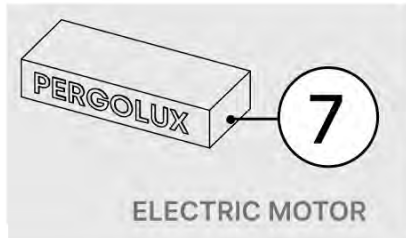
ELECTRIC MOTOR



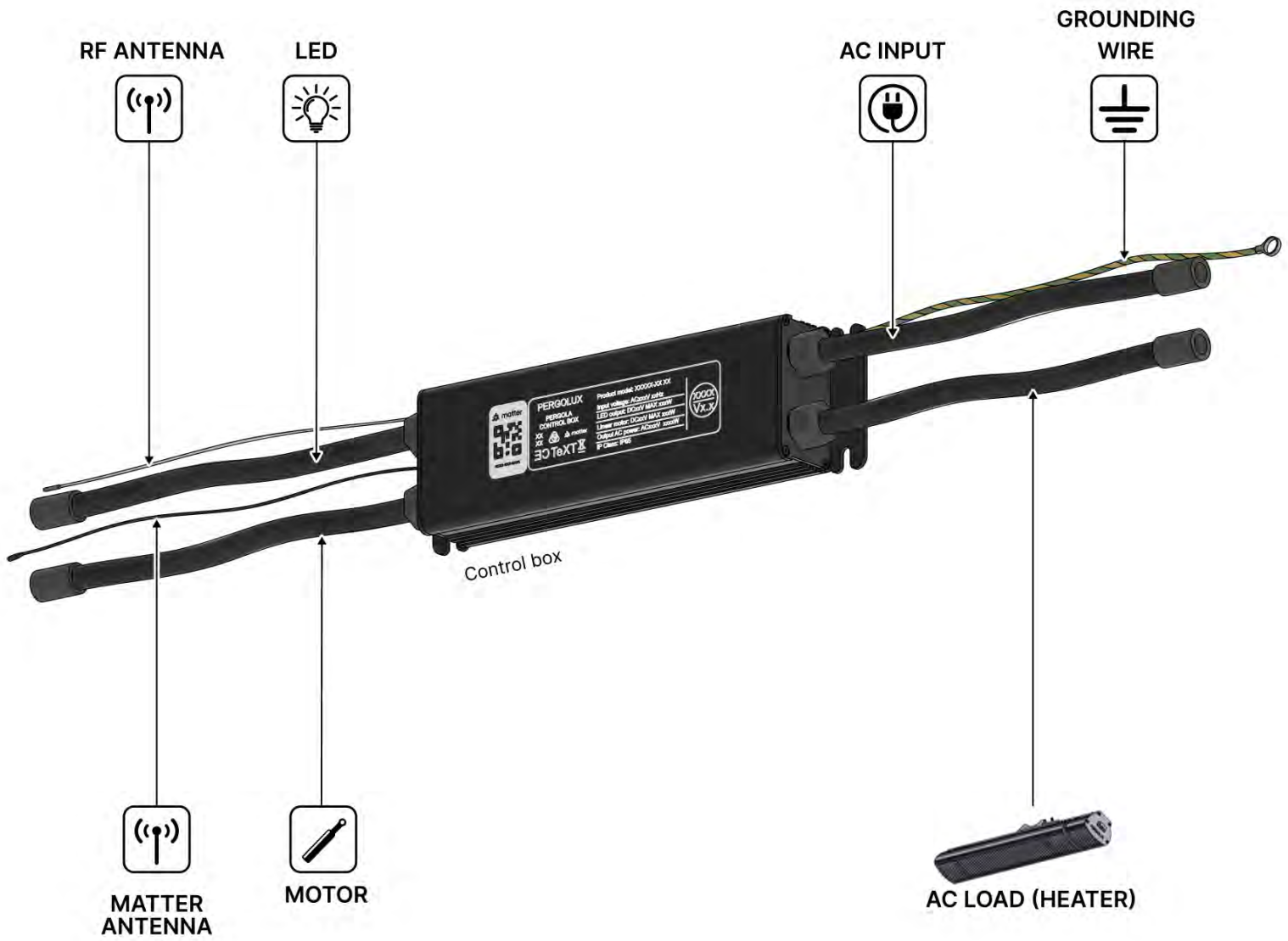
ANTHRACITE: B233
WHITE: B241
BLACK: B237



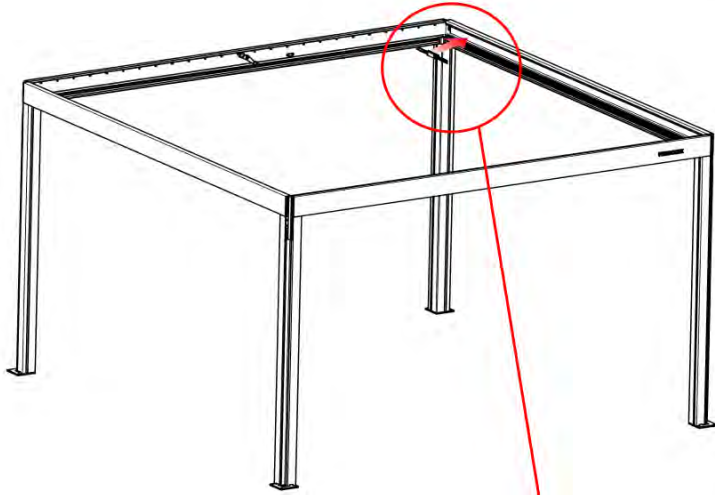
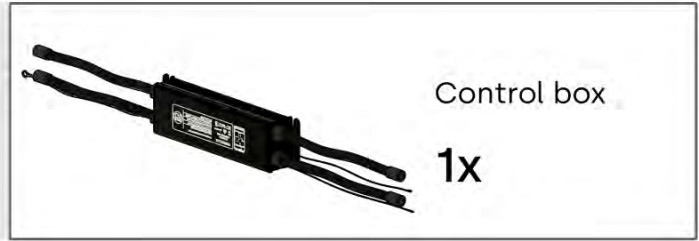
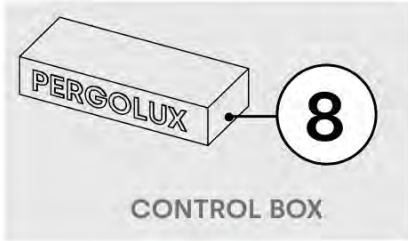
23



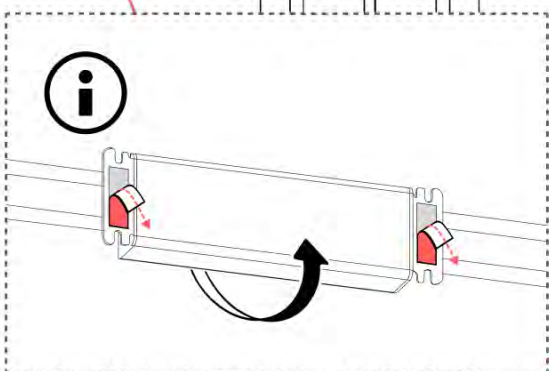
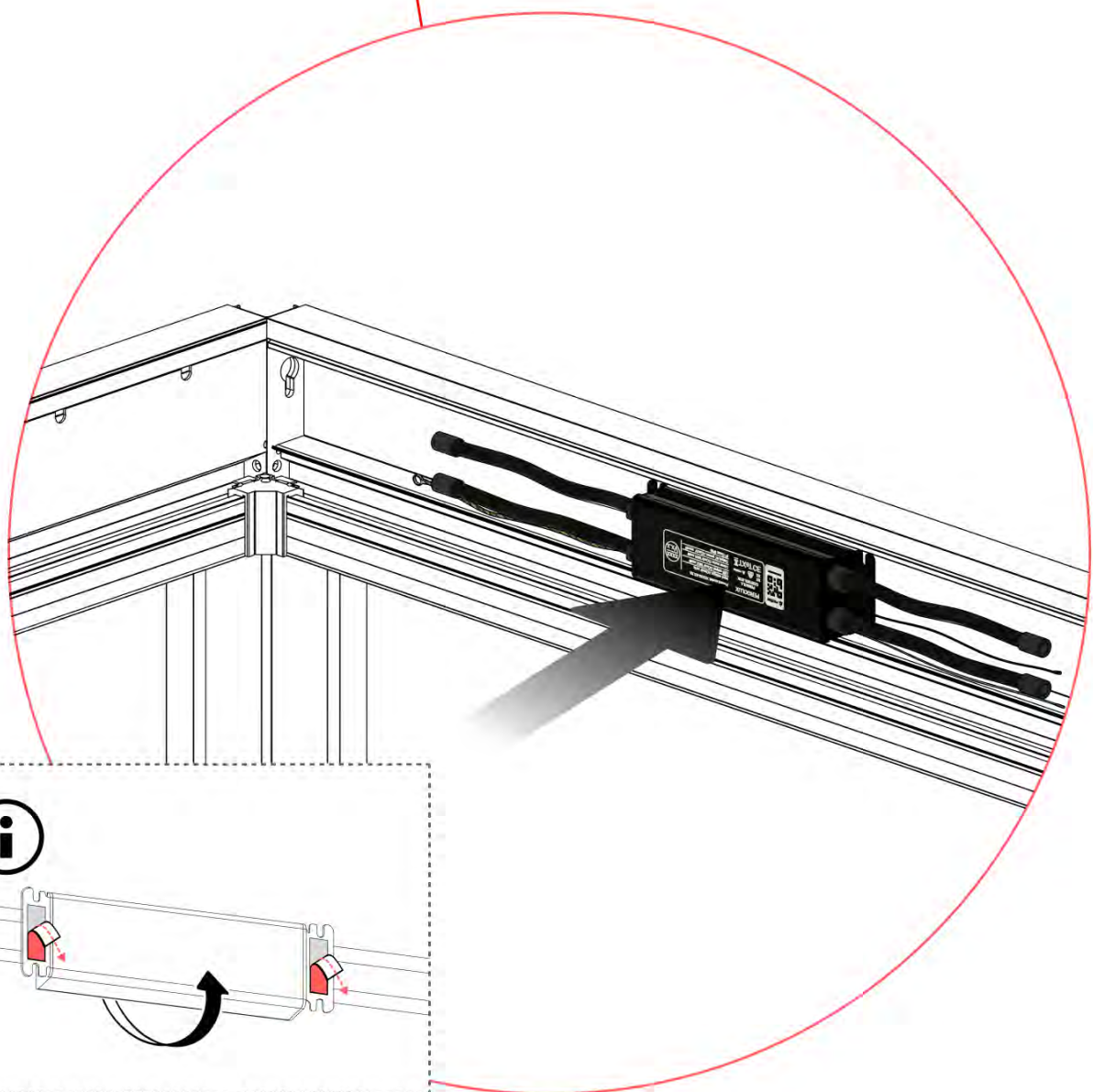
INPUTS AND OUTPUTS



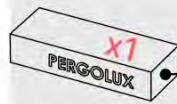
24



!
Control Box can be installed on Preferred W BEAM



25



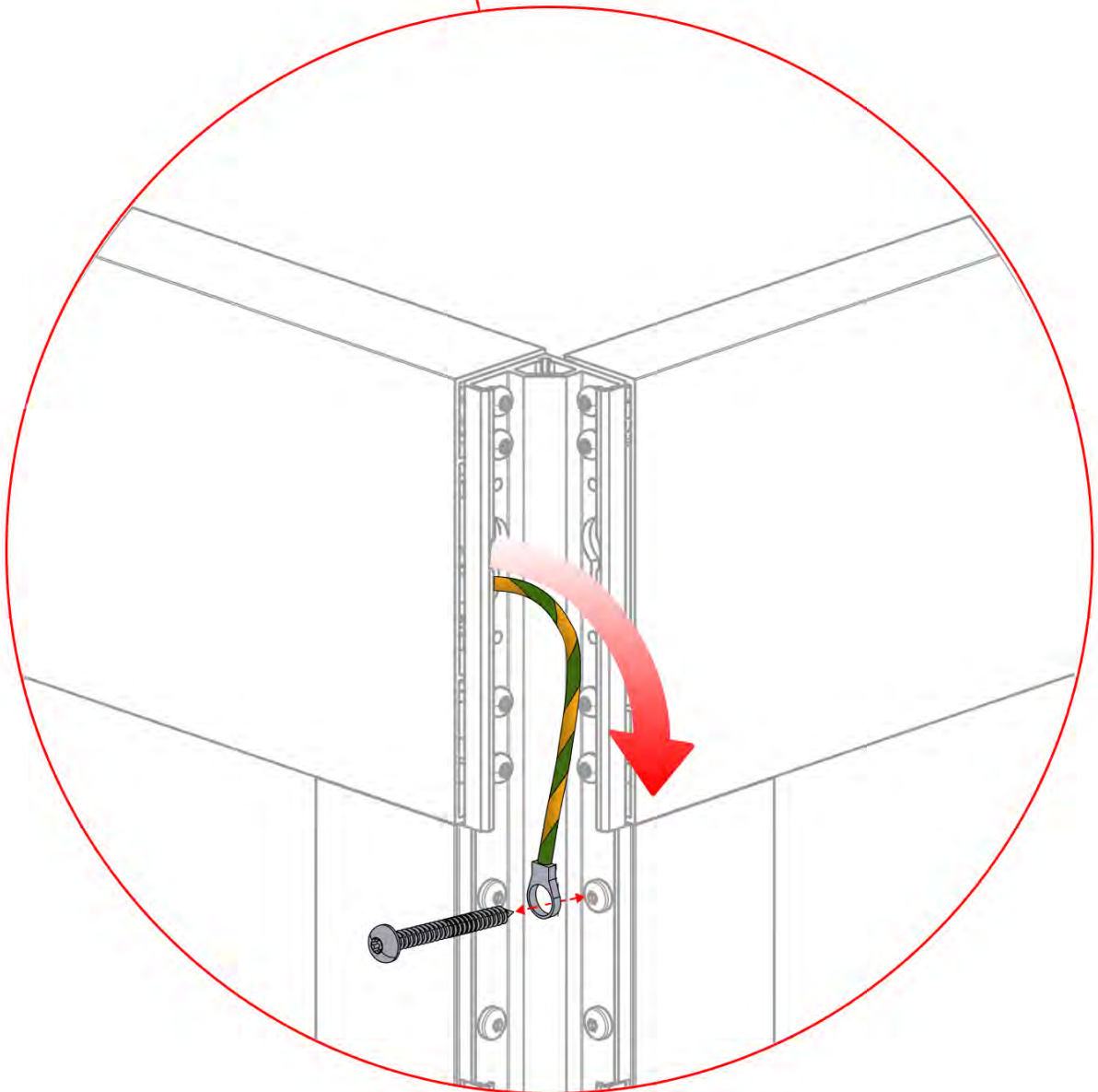
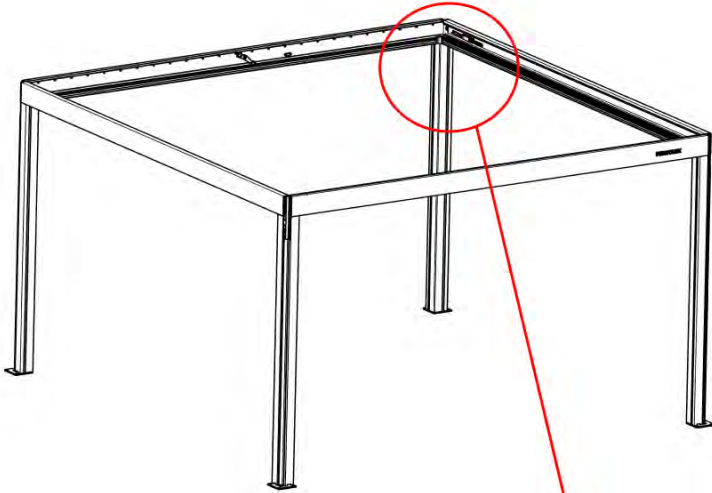
4

ANTHRACITE: B233
WHITE: B241
BLACK: B237

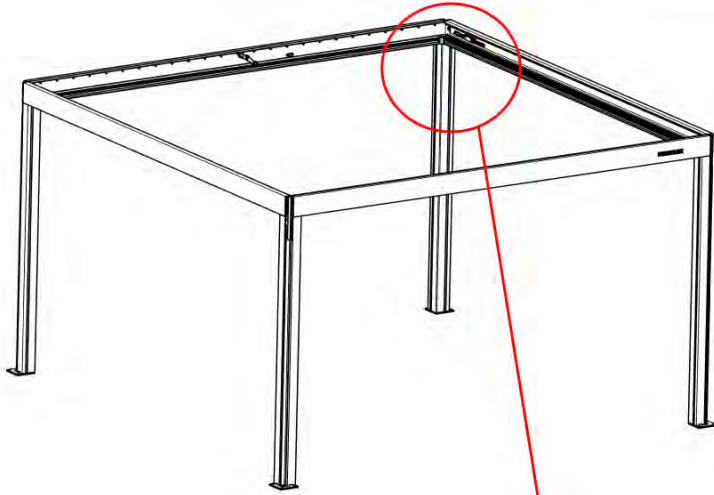
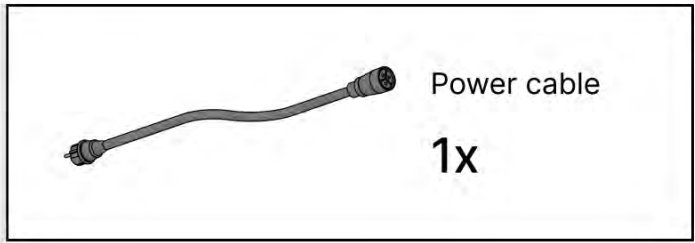
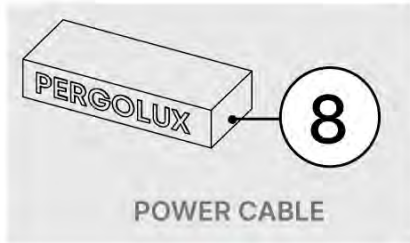


PN-200000568

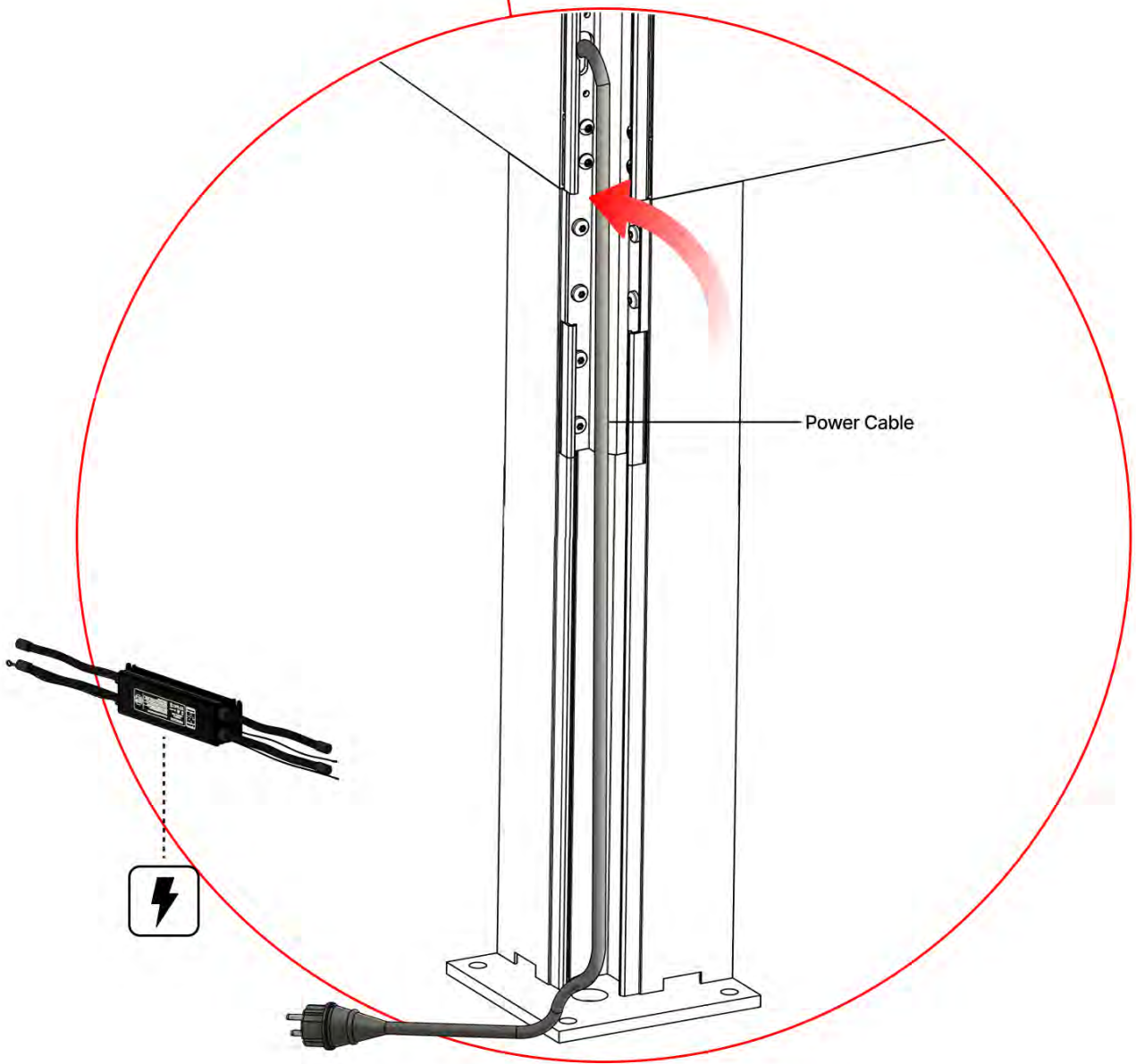
1x



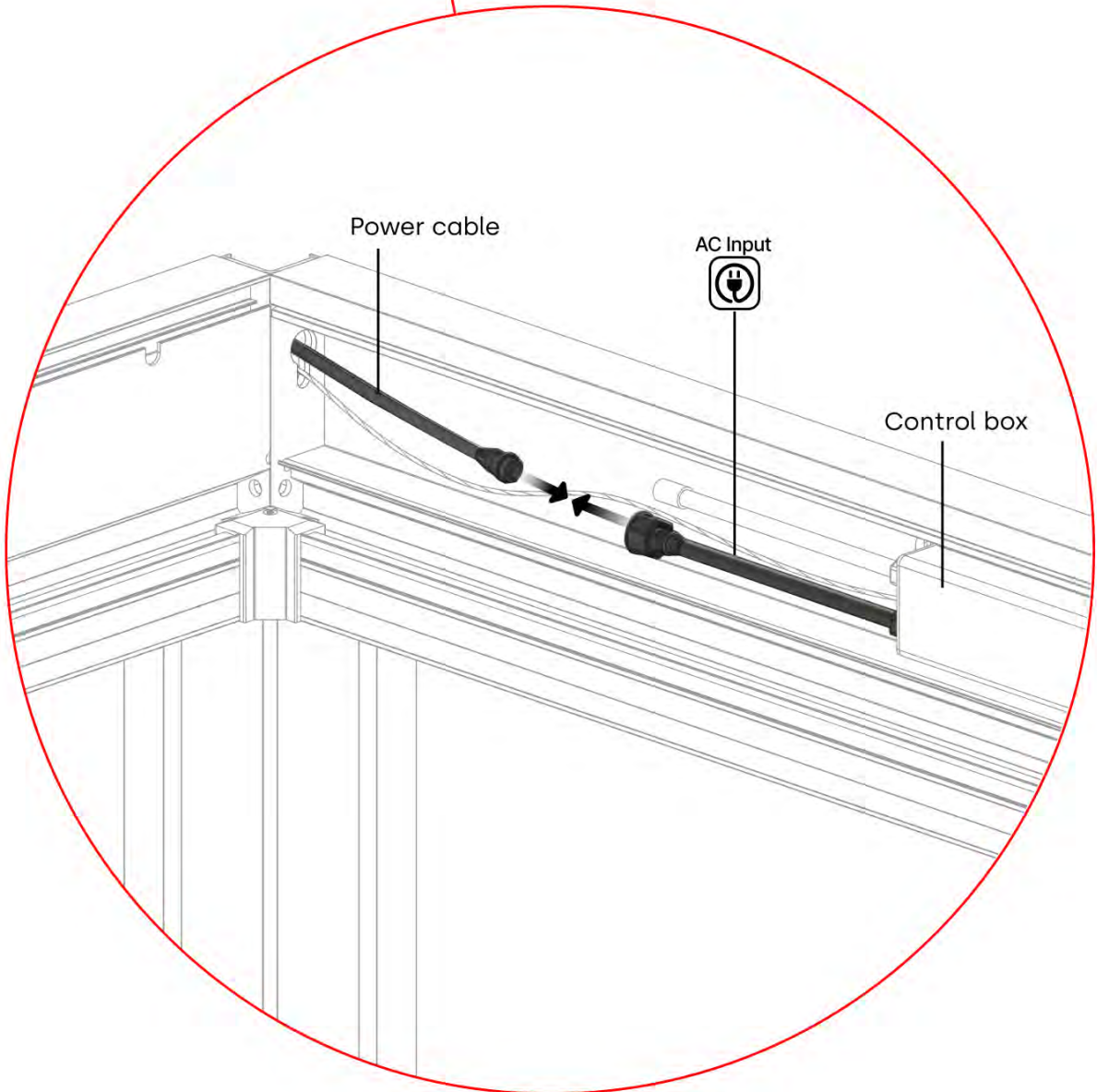
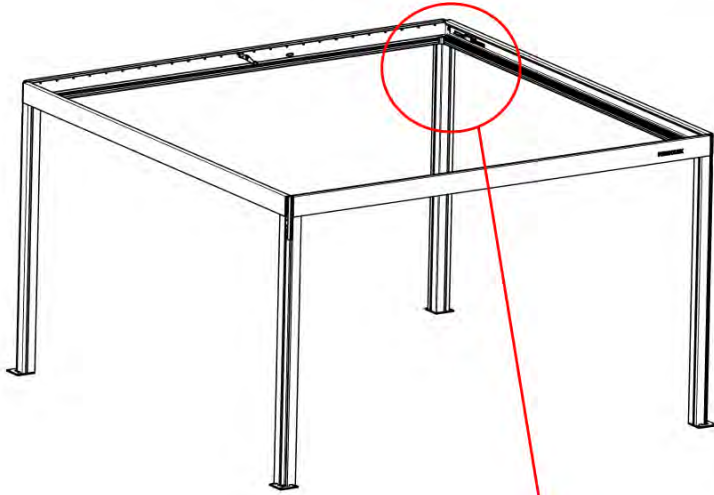
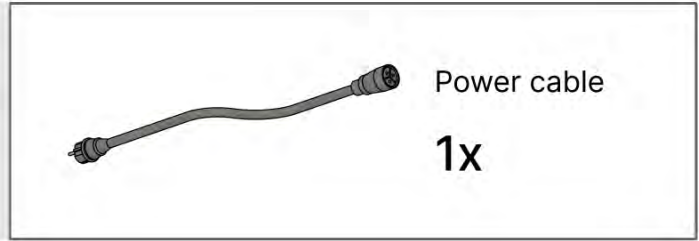
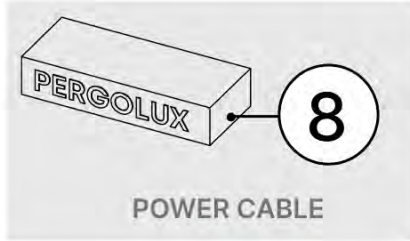
26



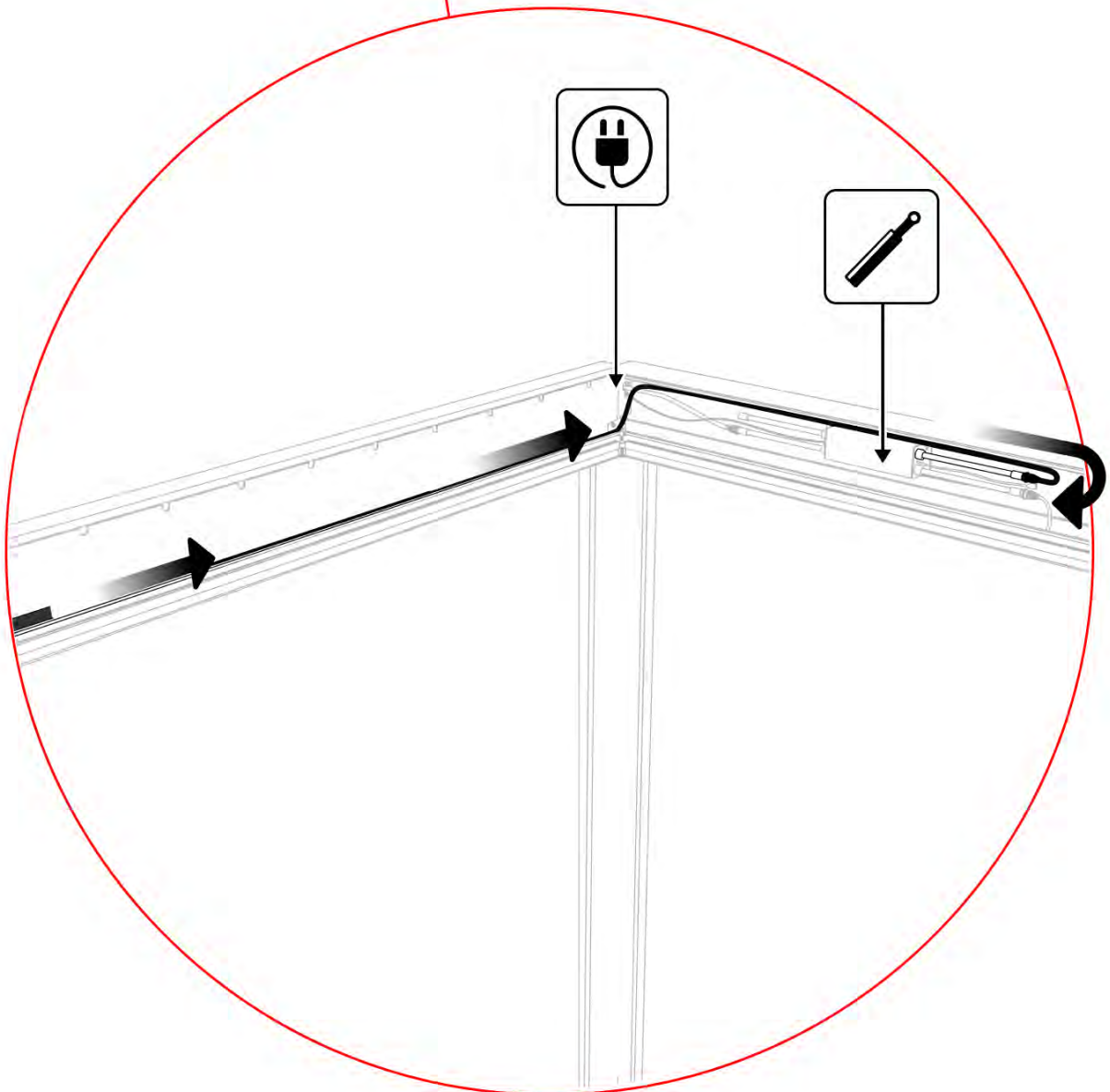
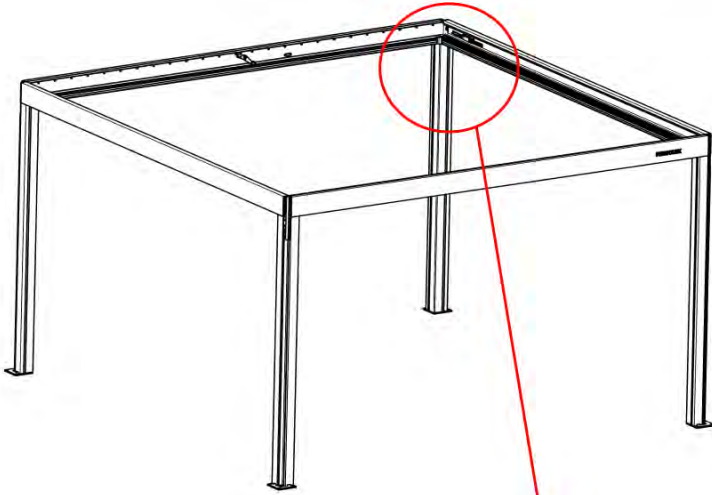
!
Power Cable can be
routed through all
the Poles.



27



28

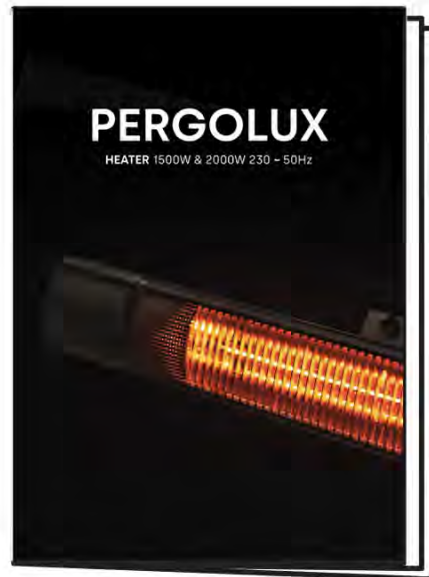


29

1

If you are going to install a heater, do it now.

Follow the instructions in the heater assembly manual.



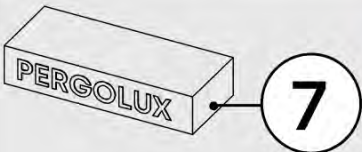


2

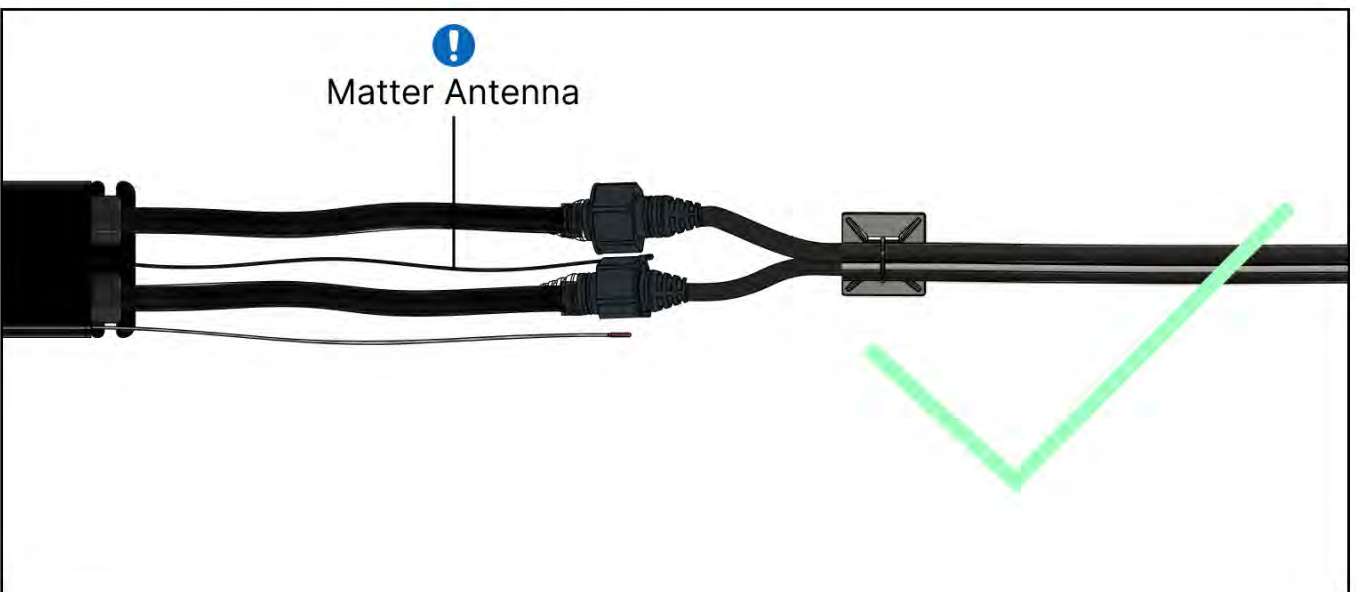
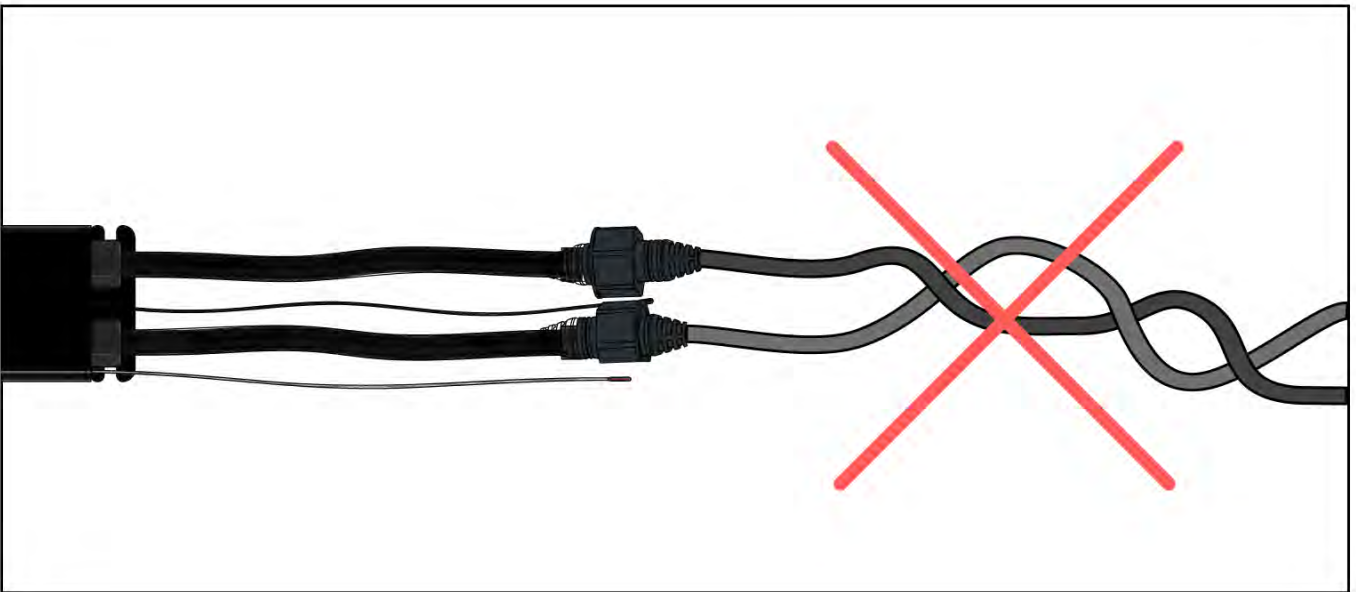
It's time to connect the motor and LED lights to the pergola control box.

Follow the instruction in the assembly manual.



30

| | | |
|---|--|--|
|  <p>PERGOLUX CONTROL BOX</p> | S4 | PN-200002683 5x |
| <p>! Keep the Matter Antenna wire free and do not tie them with LED and Motor wire</p> |  | PN-200002684 10x |
| | |  |



31



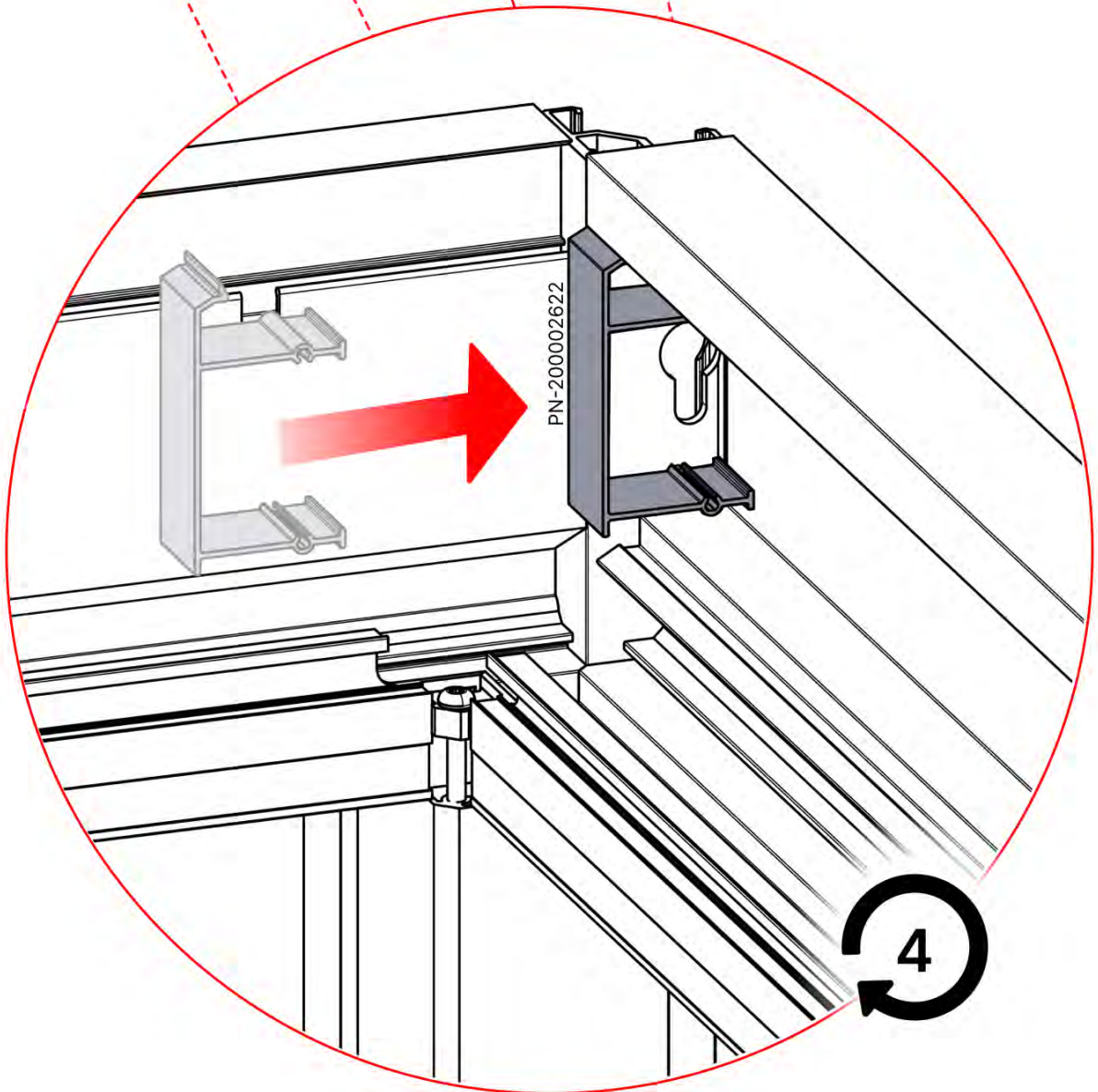
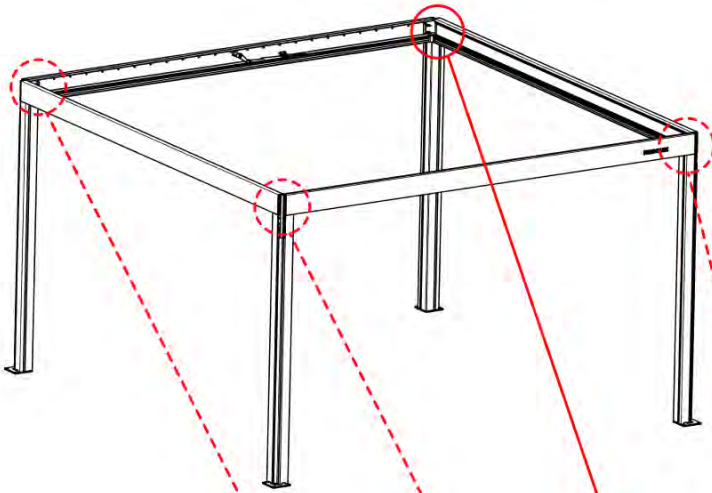
4

ANTHRACITE: B233
WHITE: B241
BLACK: B237



PN-200002622

4x



32



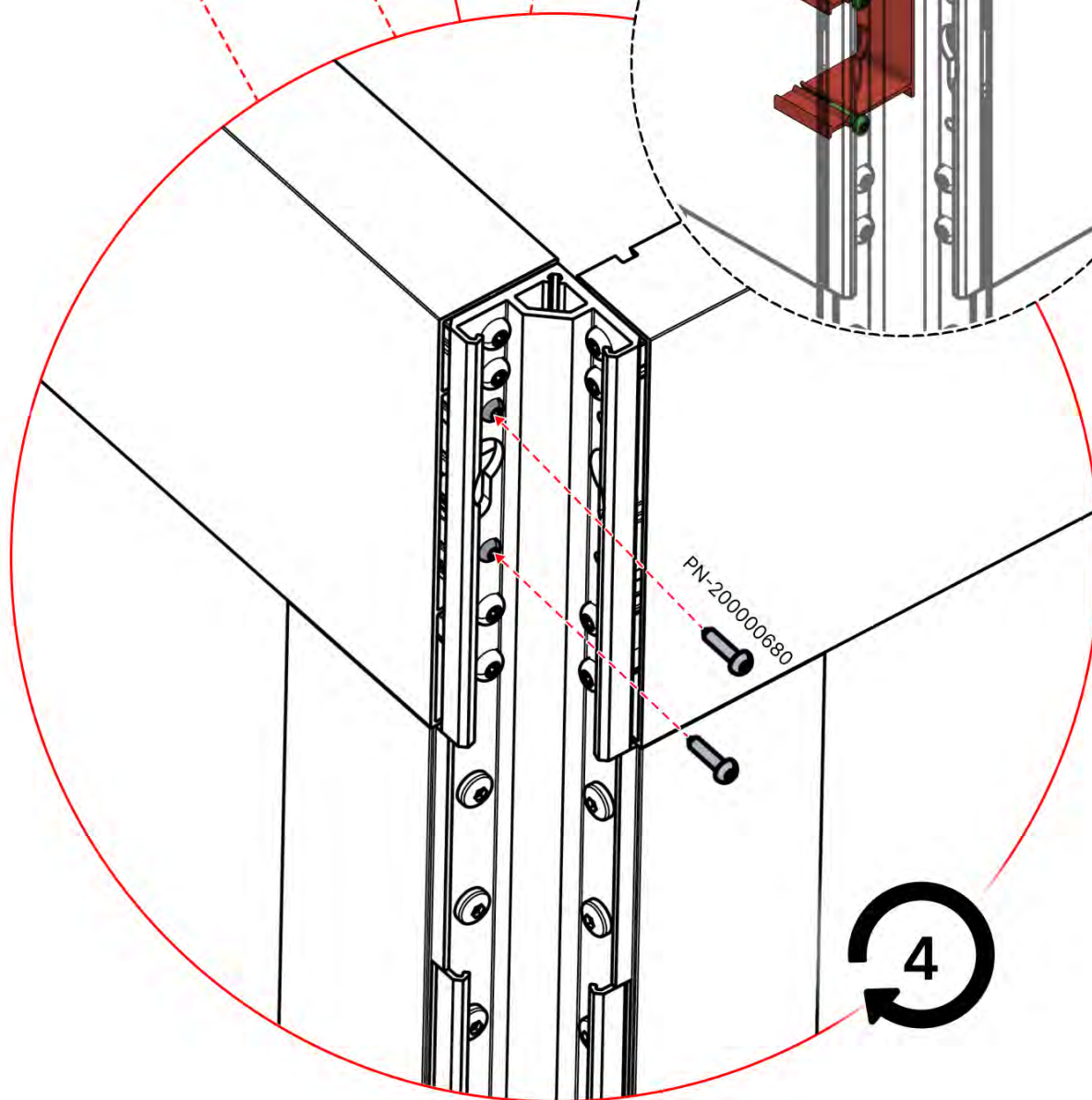
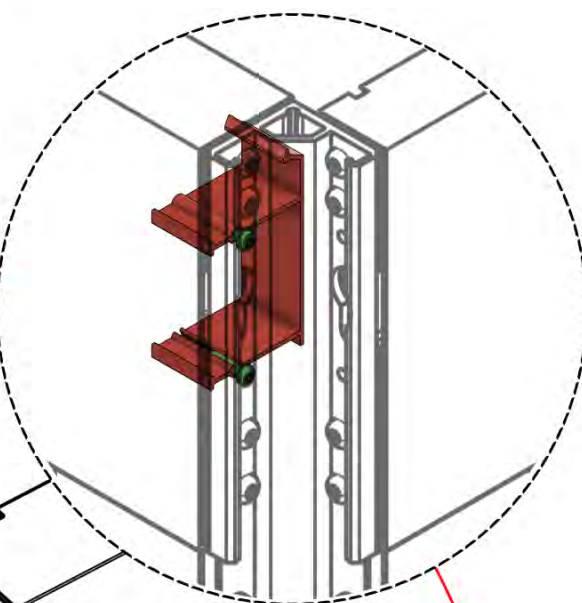
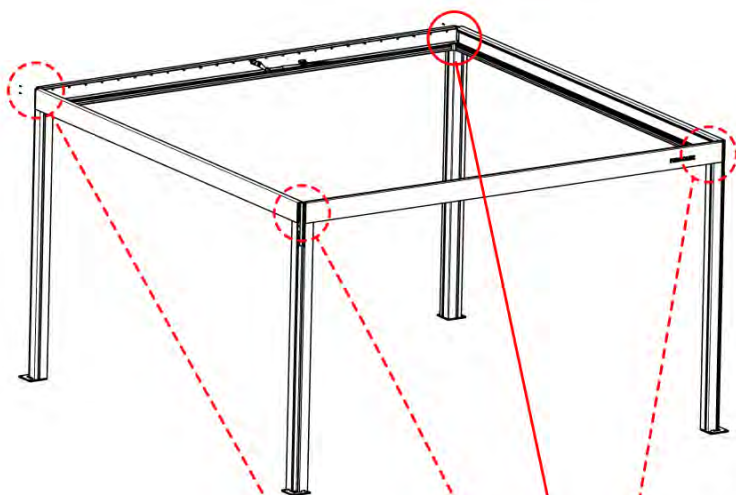
4

ANTHRACITE: B233
WHITE: B241
BLACK: B237



PN-200000680

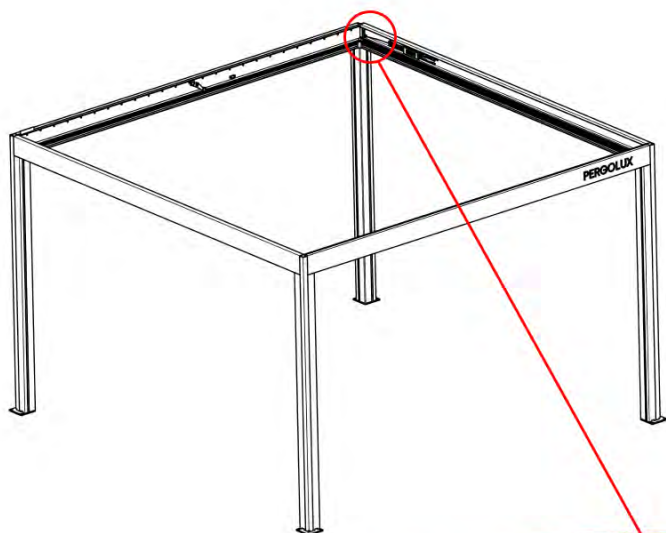
8x




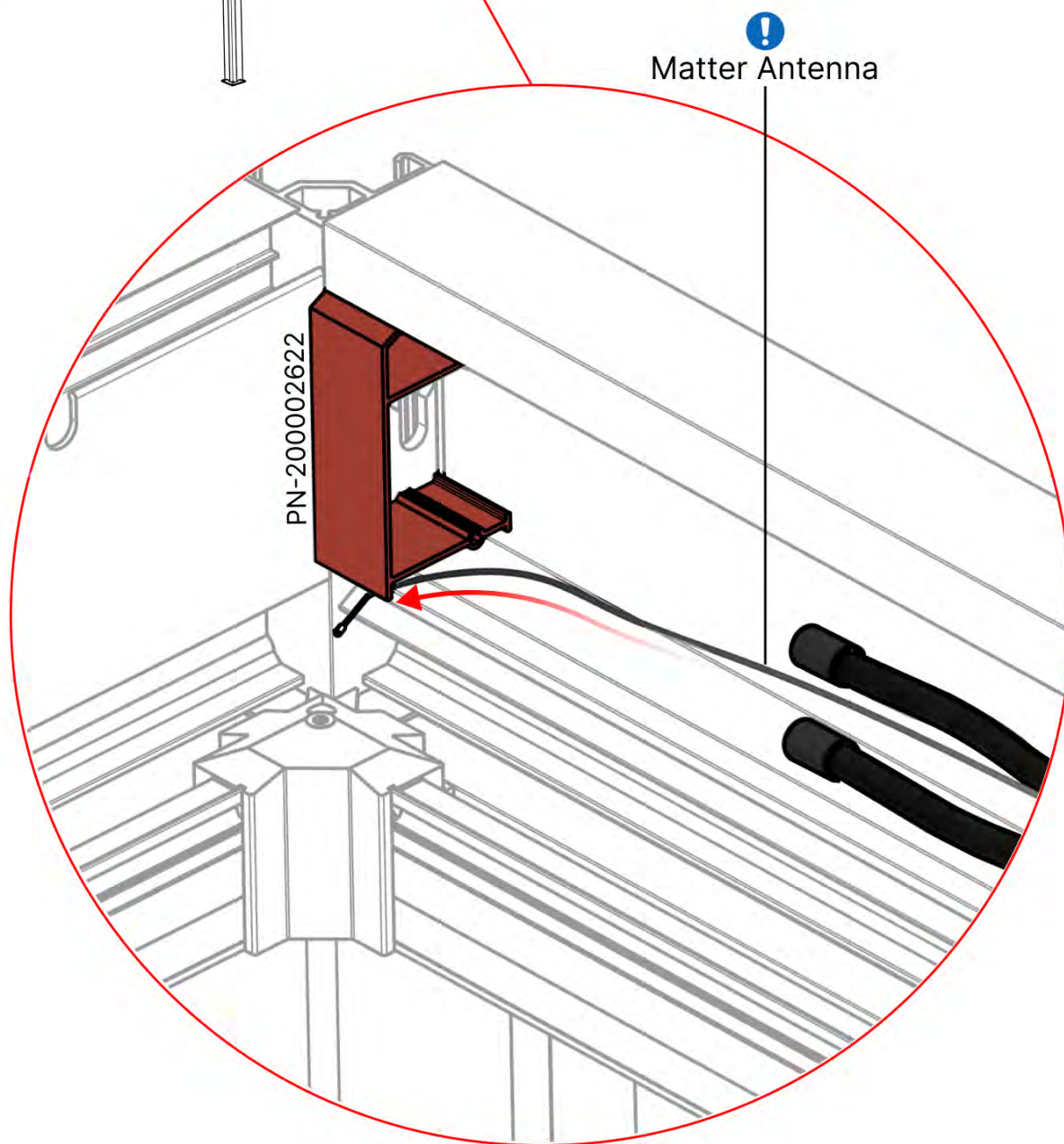
PN-200000680

4

33

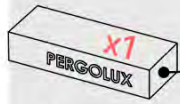



Route the Matter
Antenna and place it
below the highlighted
part(PN-200002622).



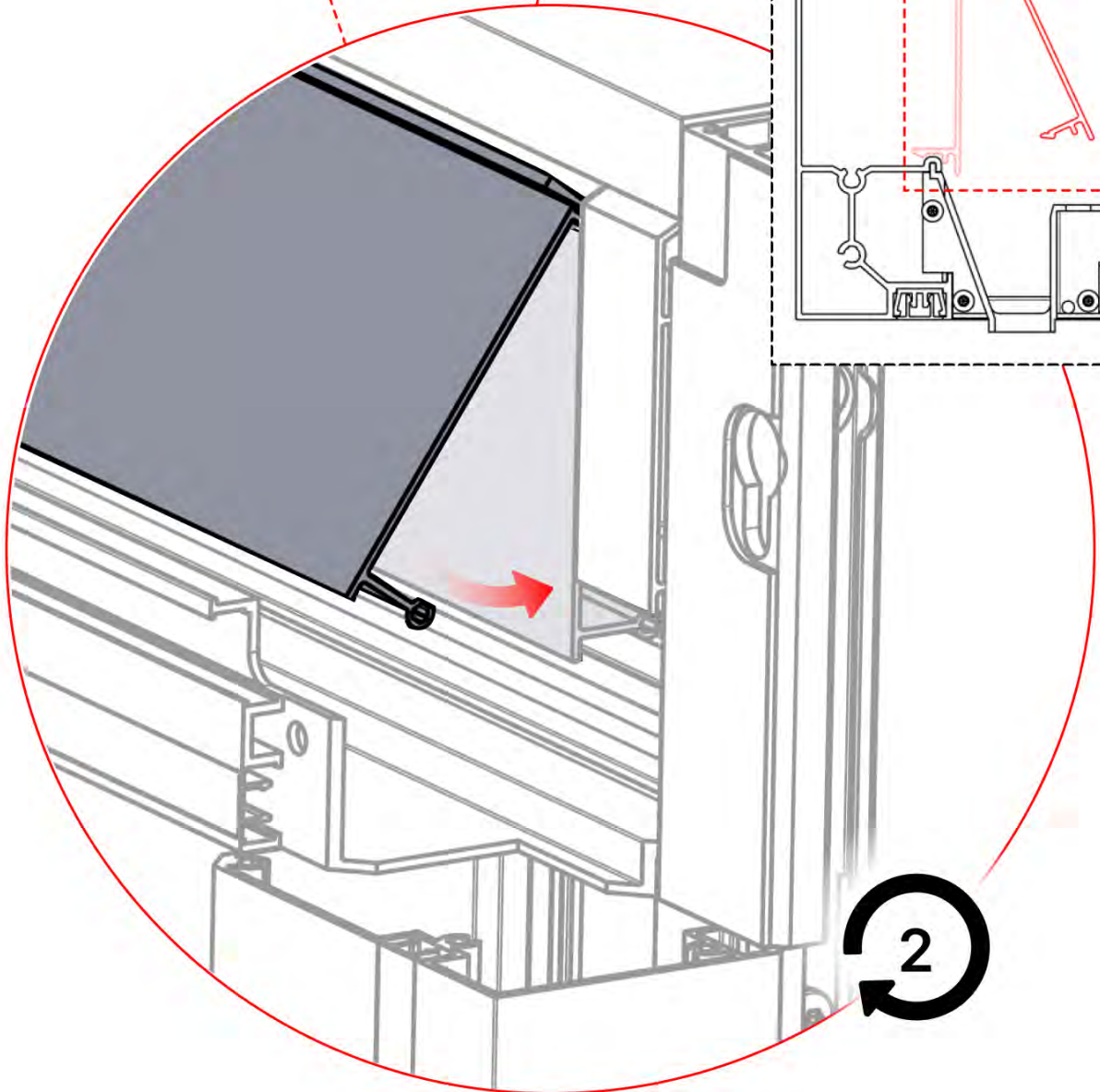
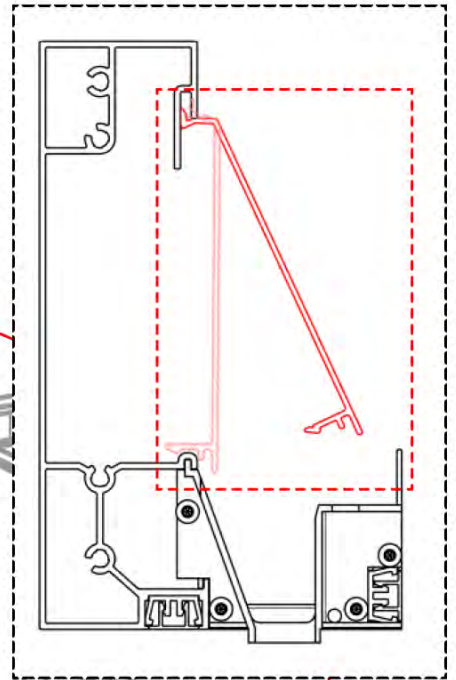
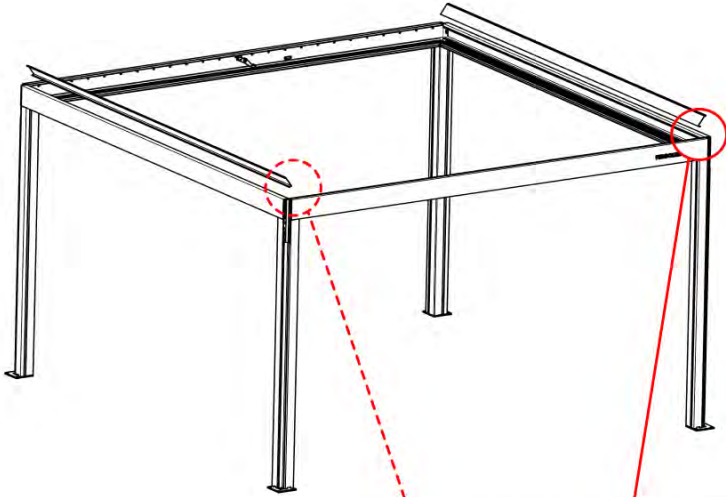
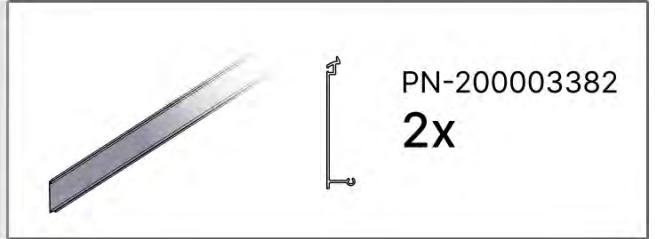

Matter Antenna

34

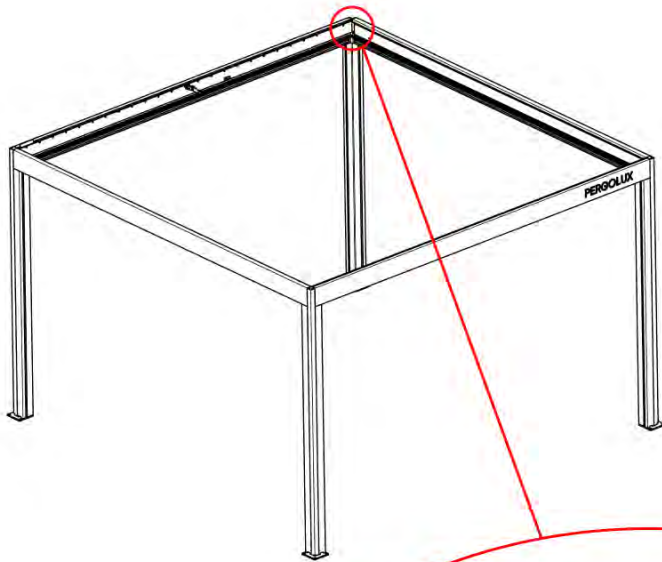


4

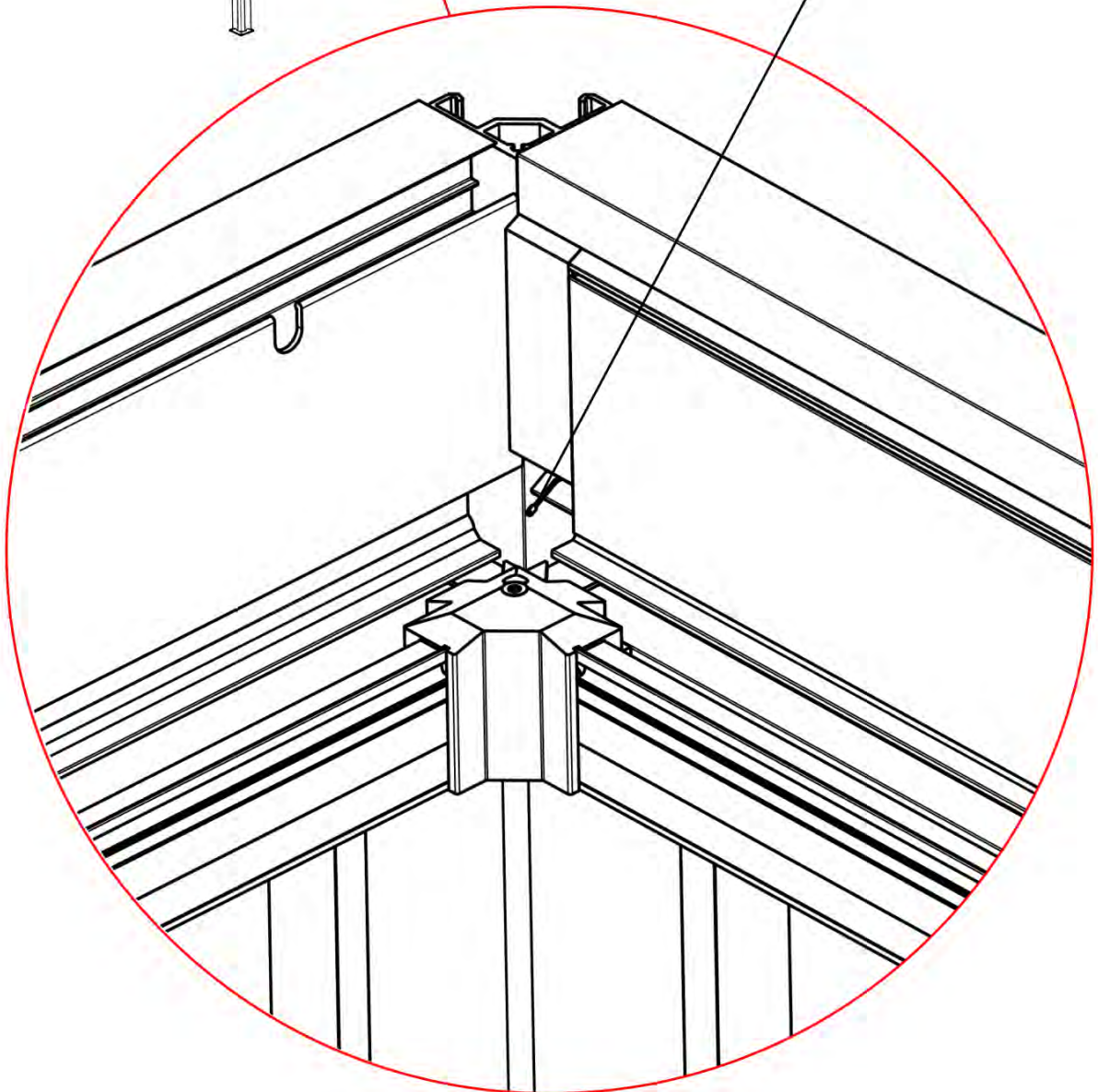
ANTHRACITE: B233
WHITE: B241
BLACK: B237



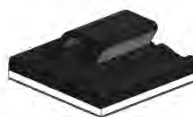
INFORMATION



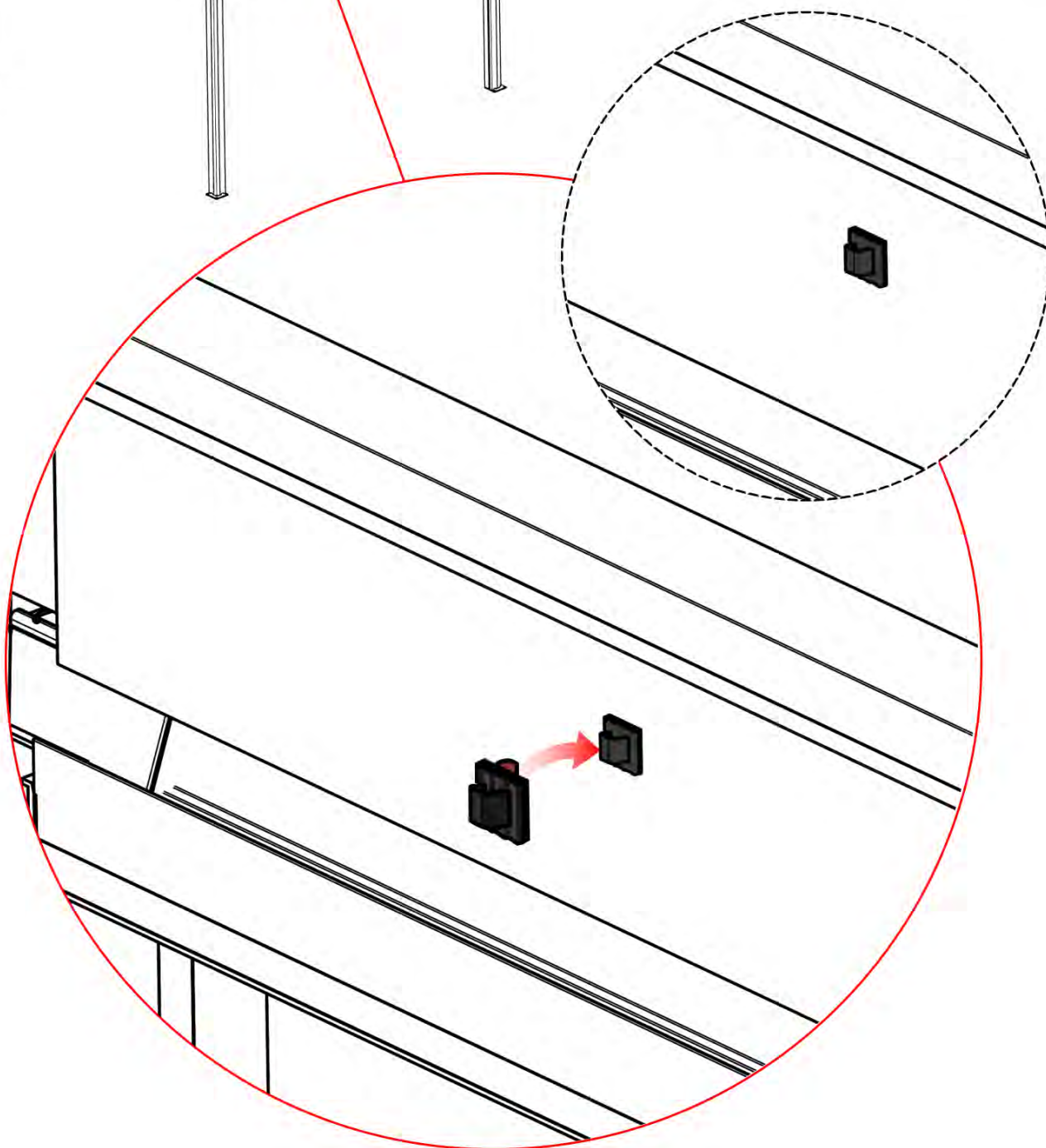
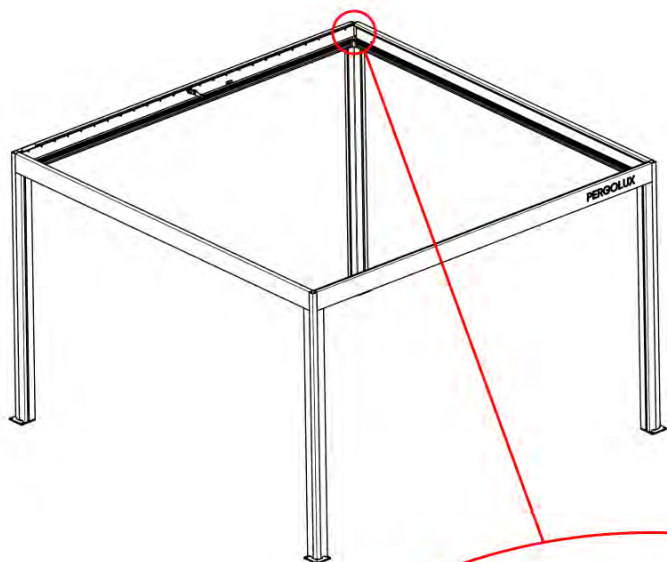
Matter Antenna



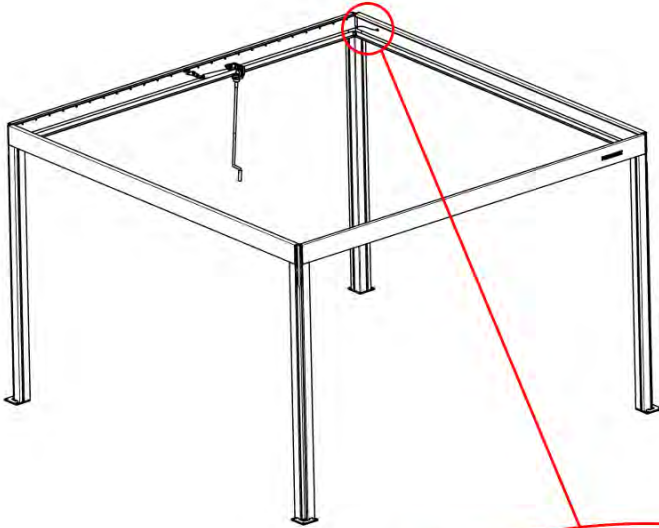
35



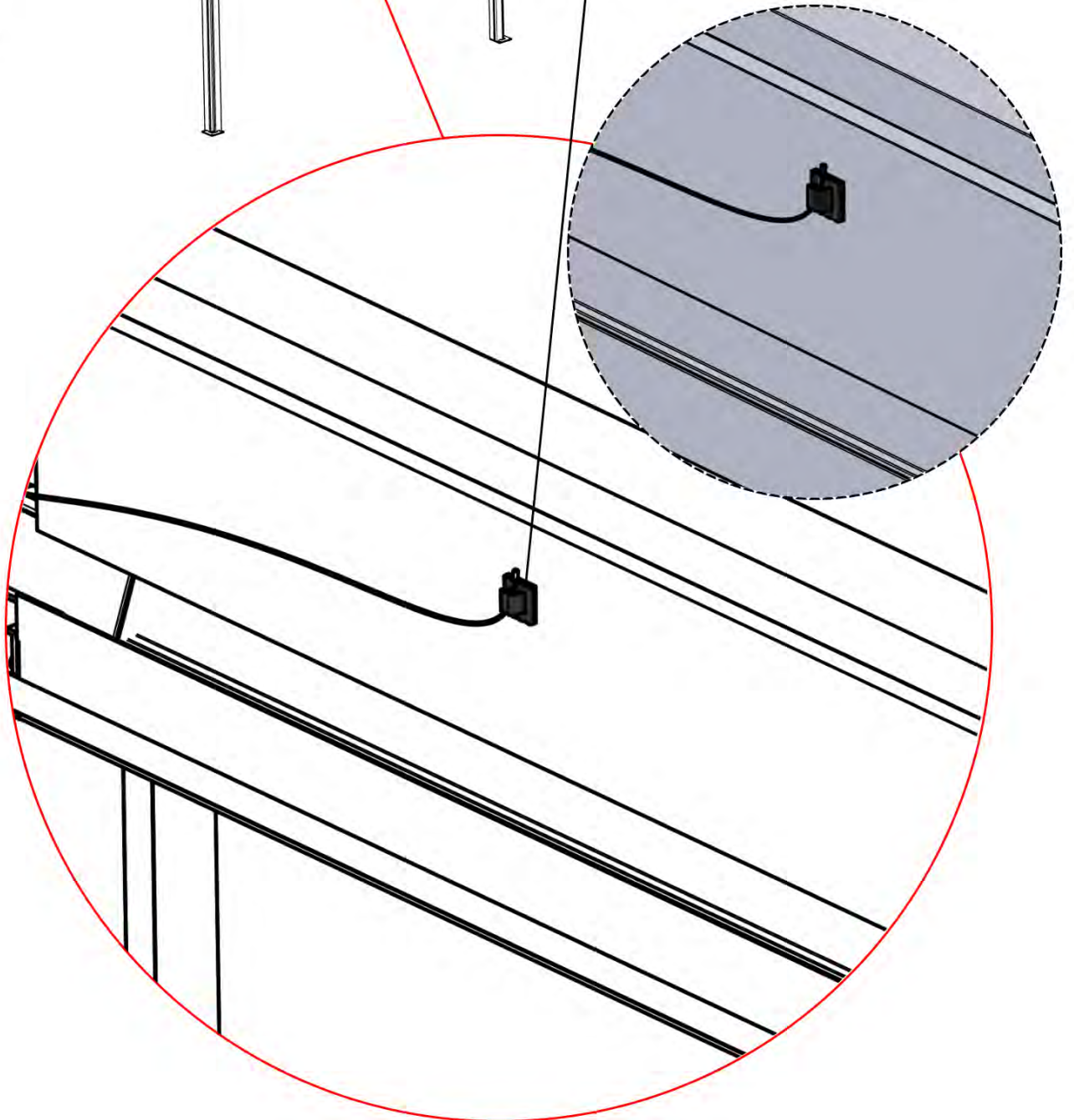
Matter Antenna
1x



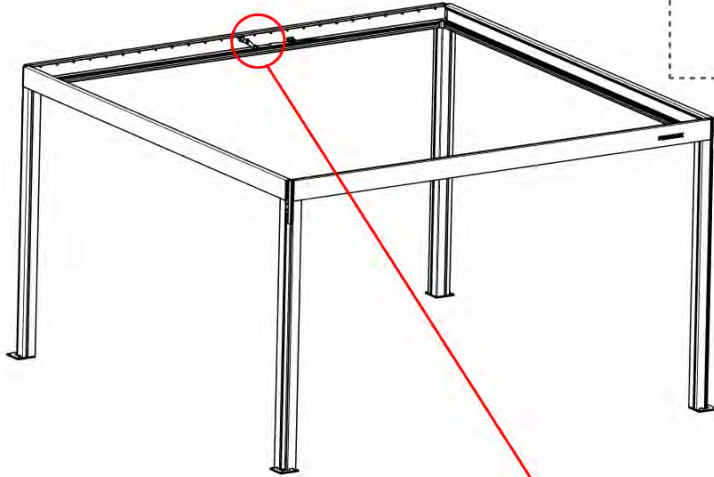
36



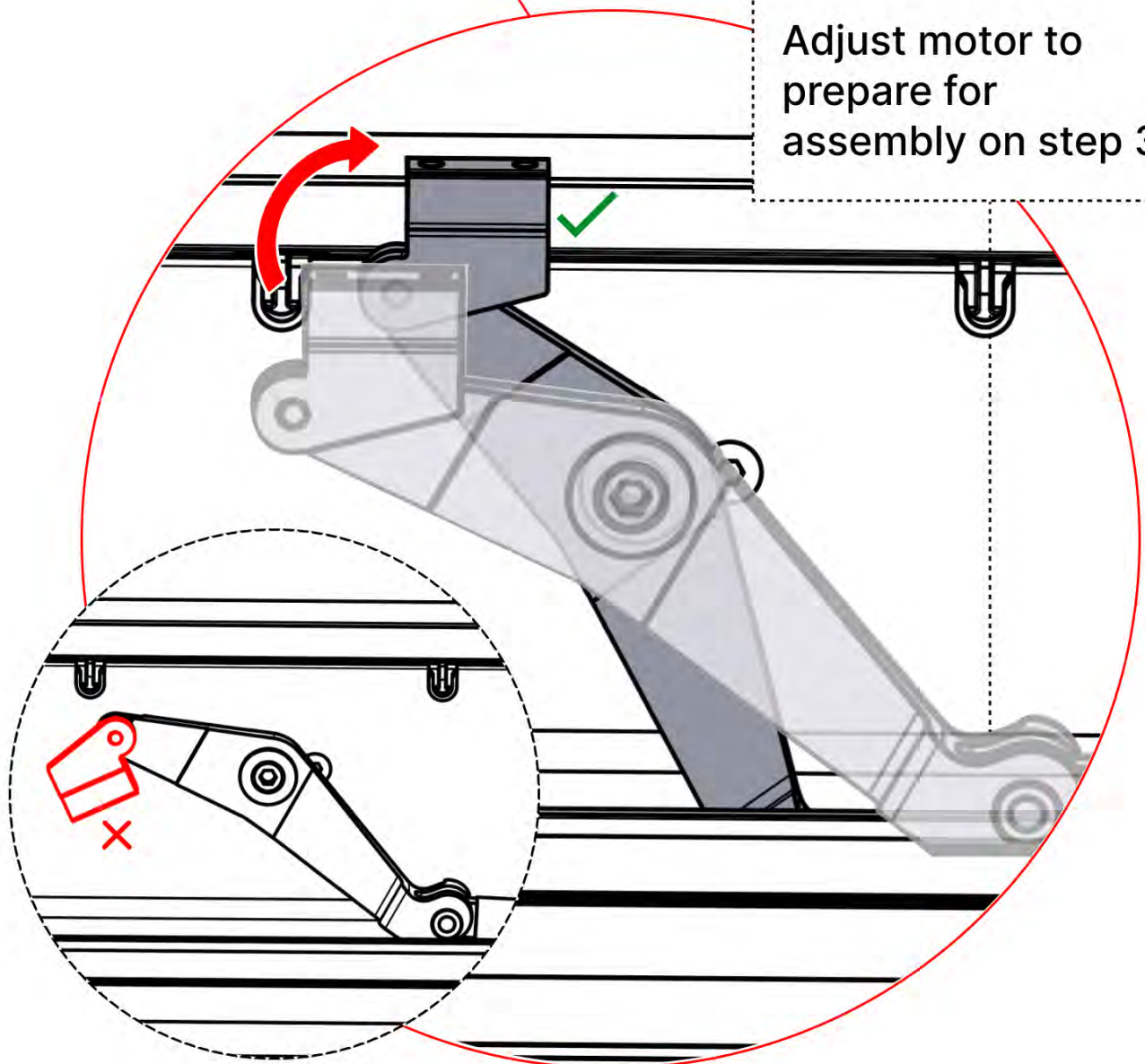
Matter Antenna



37



Adjust motor to prepare for assembly on step 38

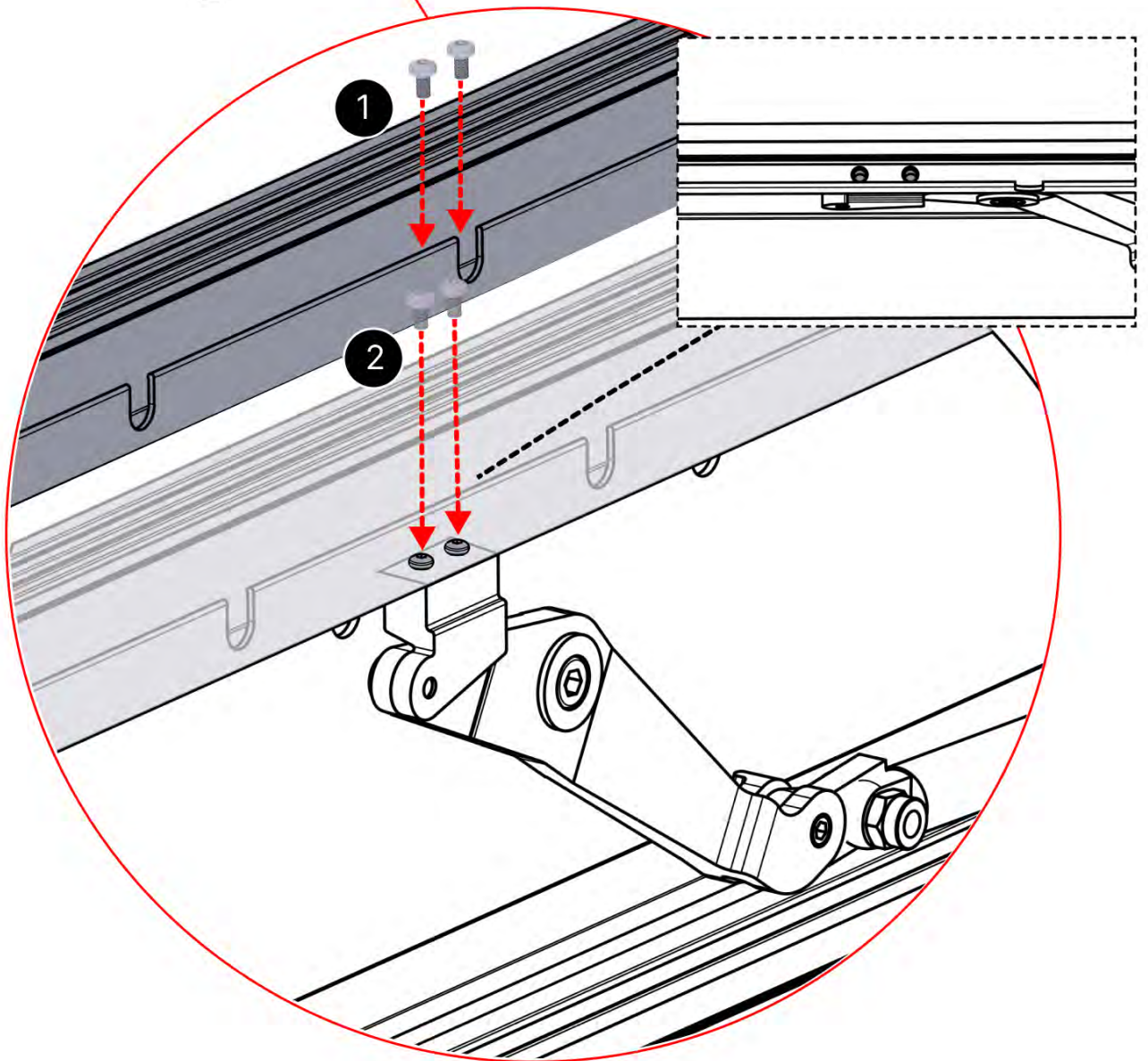
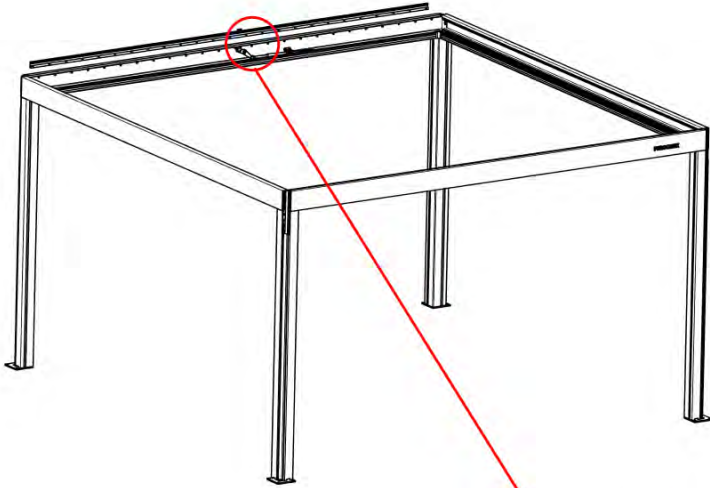
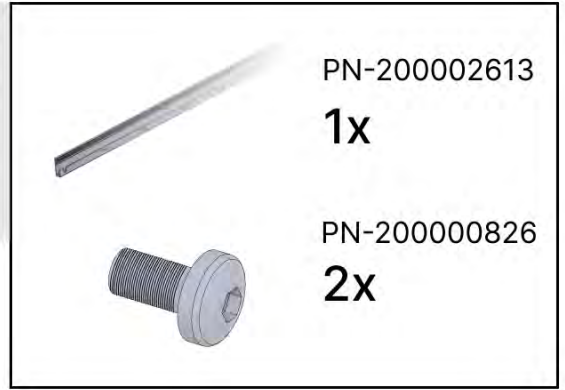


38

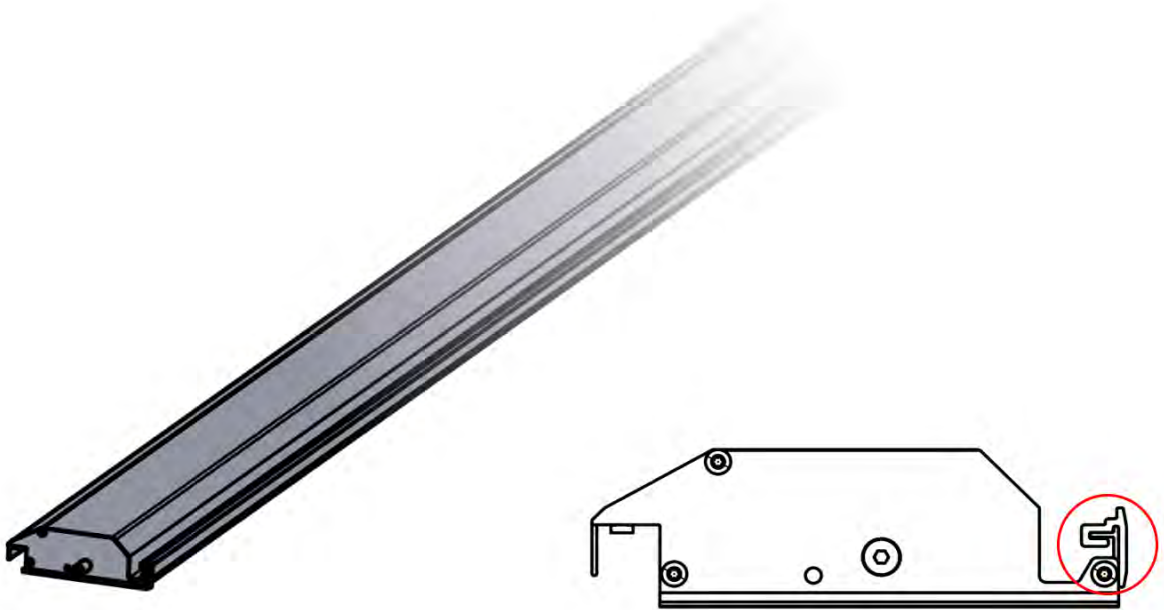



4

ANTHRACITE: B233
WHITE: B241
BLACK: B237



ITEMS IN BOX

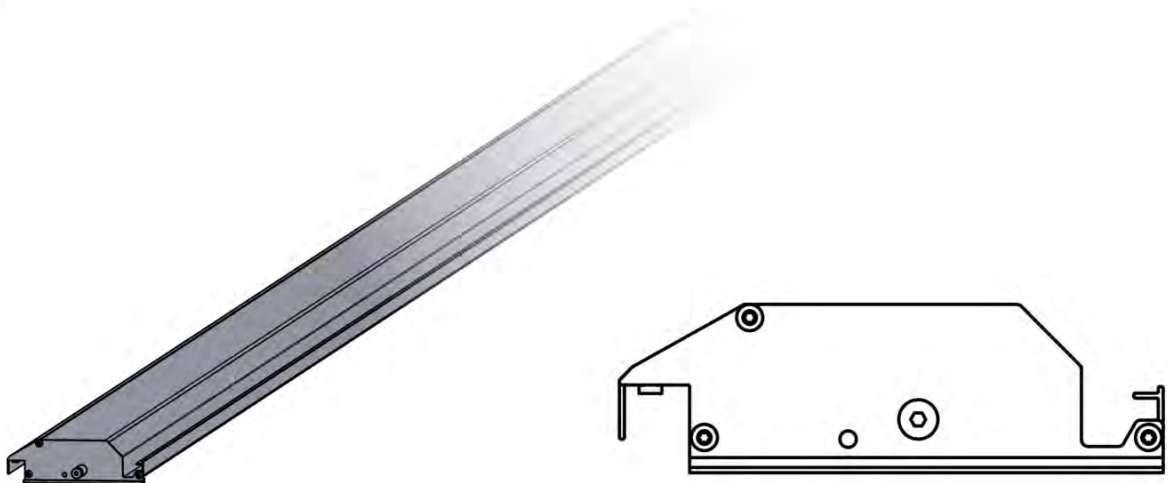




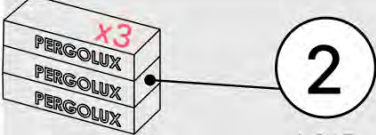
ANTHRACITE: L227
WHITE: L231
BLACK: L229

PLR 150 G2 PRO LOUVER END FS 4M
PACKAGE
PN-200002645

1x



Standard



ANTHRACITE: L215
WHITE: L219
BLACK: L217

PLR 150 G2 PRO LOUVER STD FS 4M
PACKAGE
PN-200002629

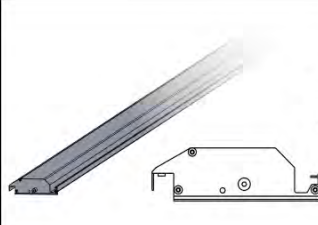
24x

39

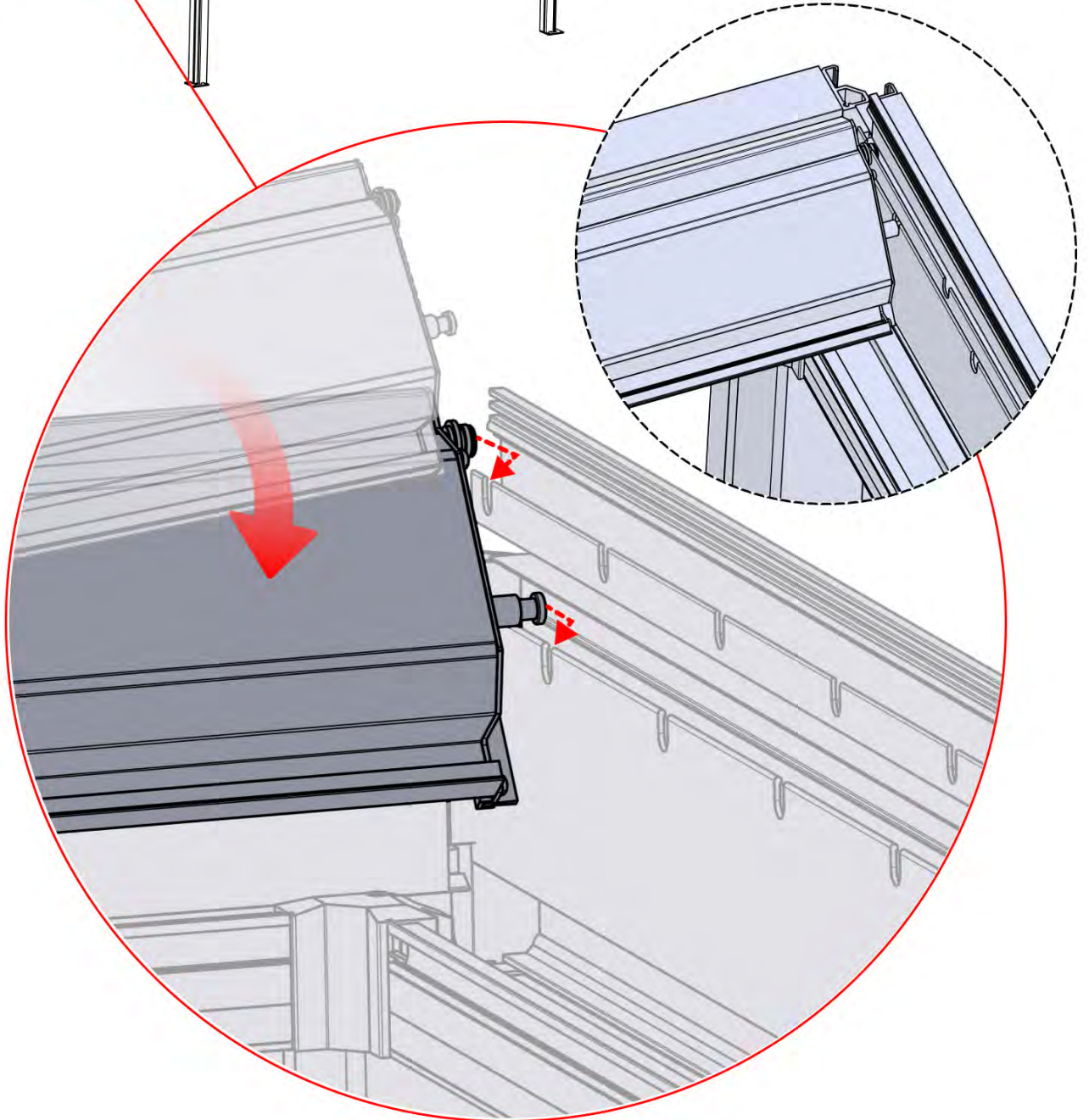
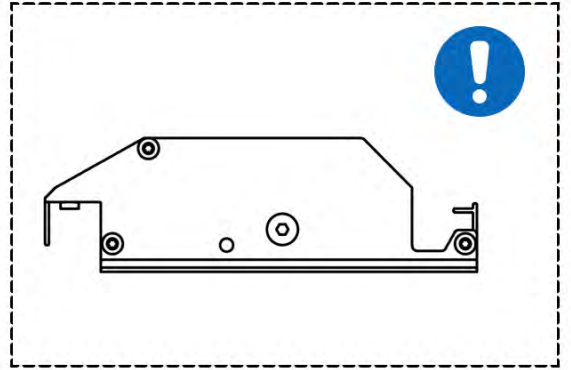
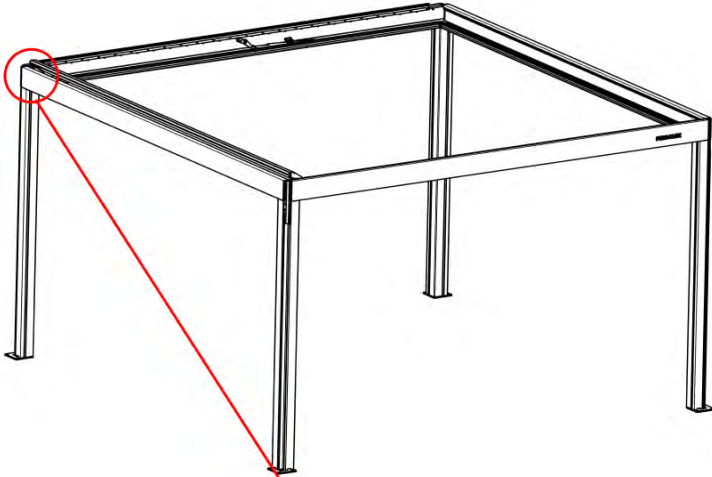
x3
PERGOLUX
PERGOLUX
PERGOLUX

2

ANTHRACITE: L215
WHITE: L219
BLACK: L217



PN-200002629
1x



40

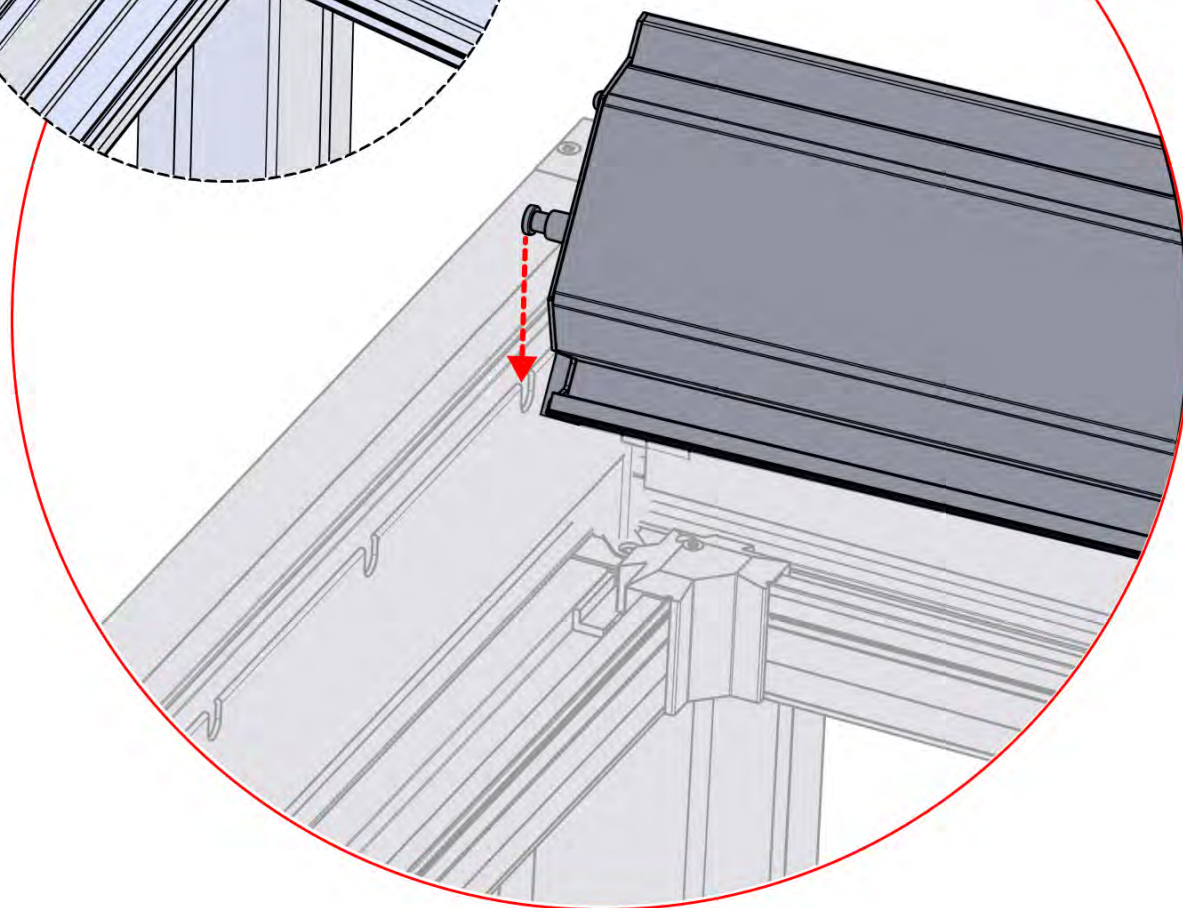
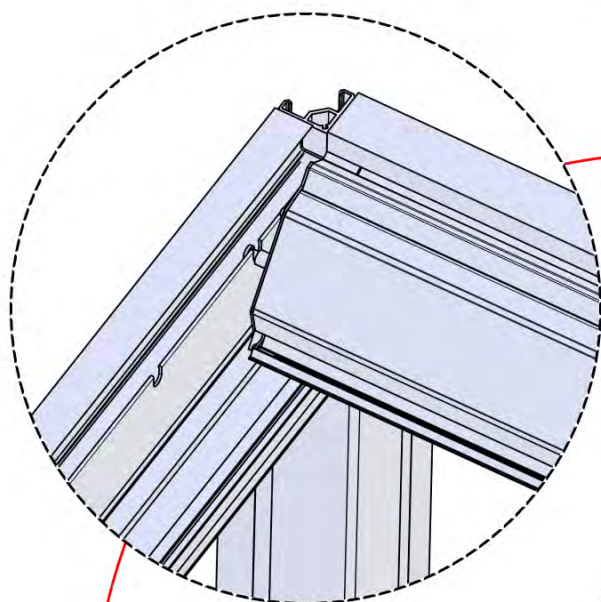
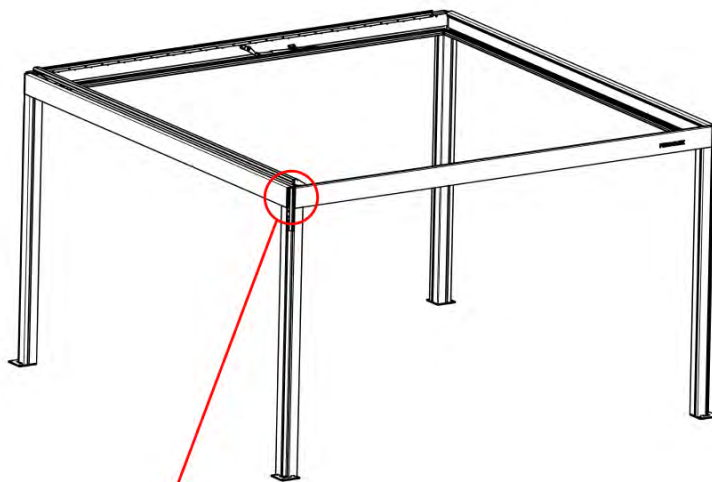
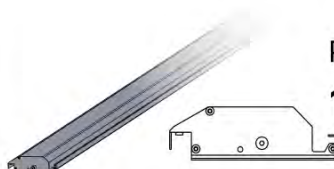
x3
PERGOLUX
PERGOLUX
PERGOLUX

2

ANTHRACITE: L215
WHITE: L219
BLACK: L217

PN-200002629

1x

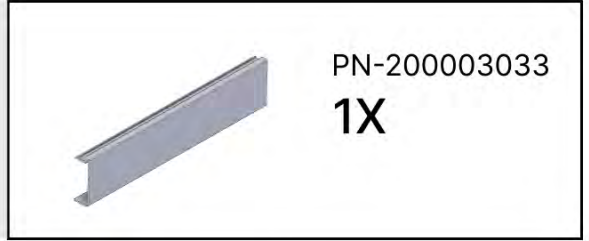


41

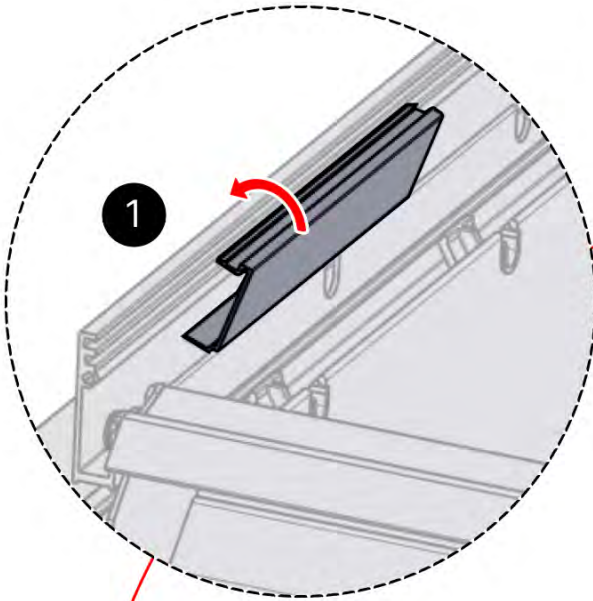
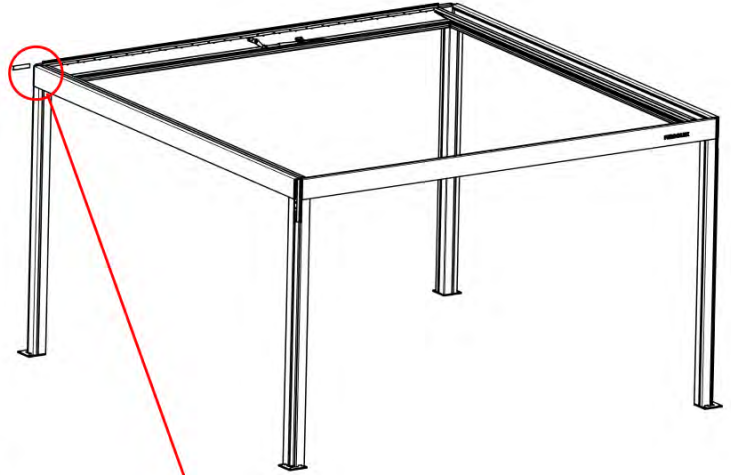


4

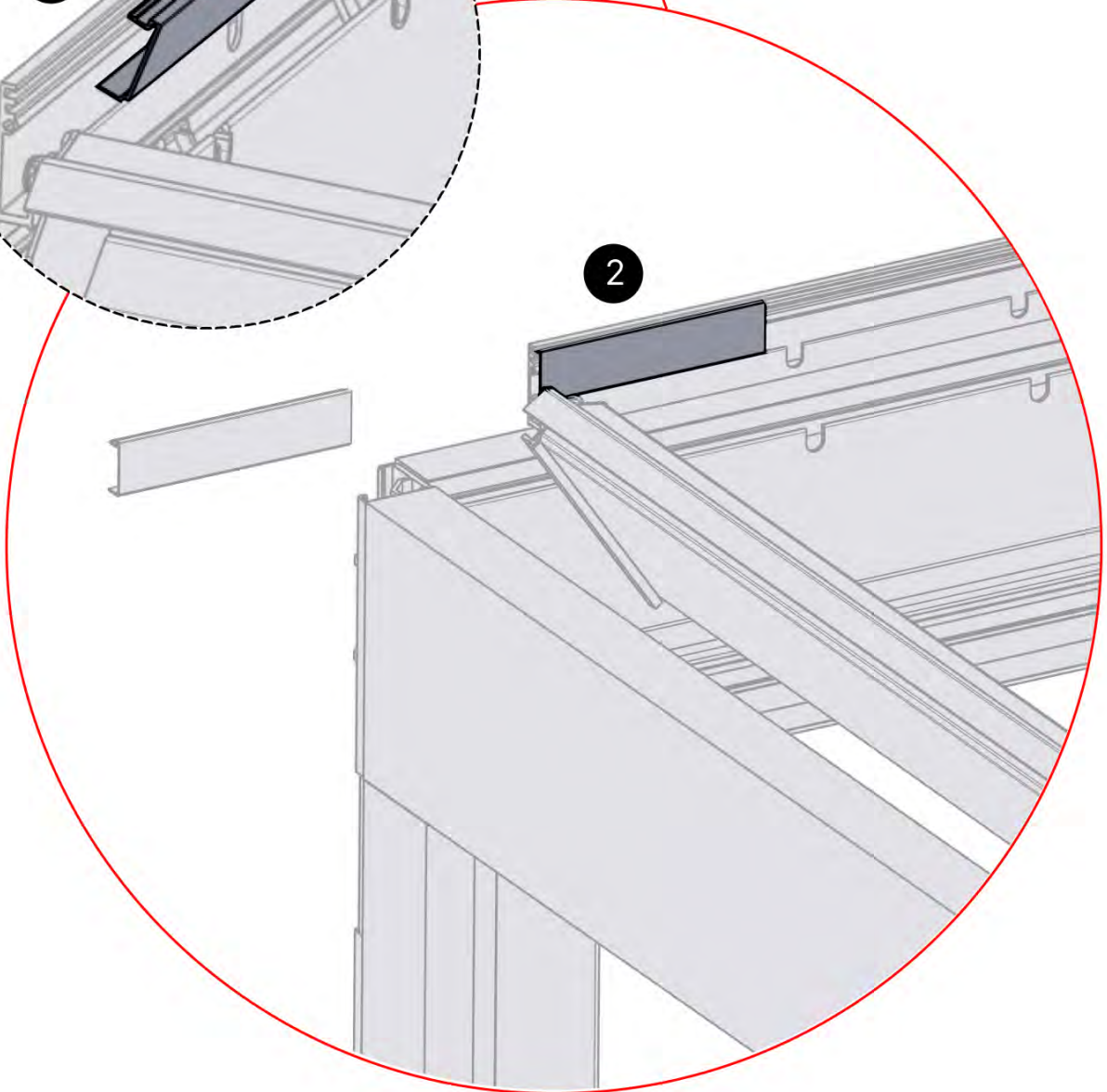
ANTHRACITE: B233
WHITE: B241
BLACK: B237



PN-200003033
1X



1



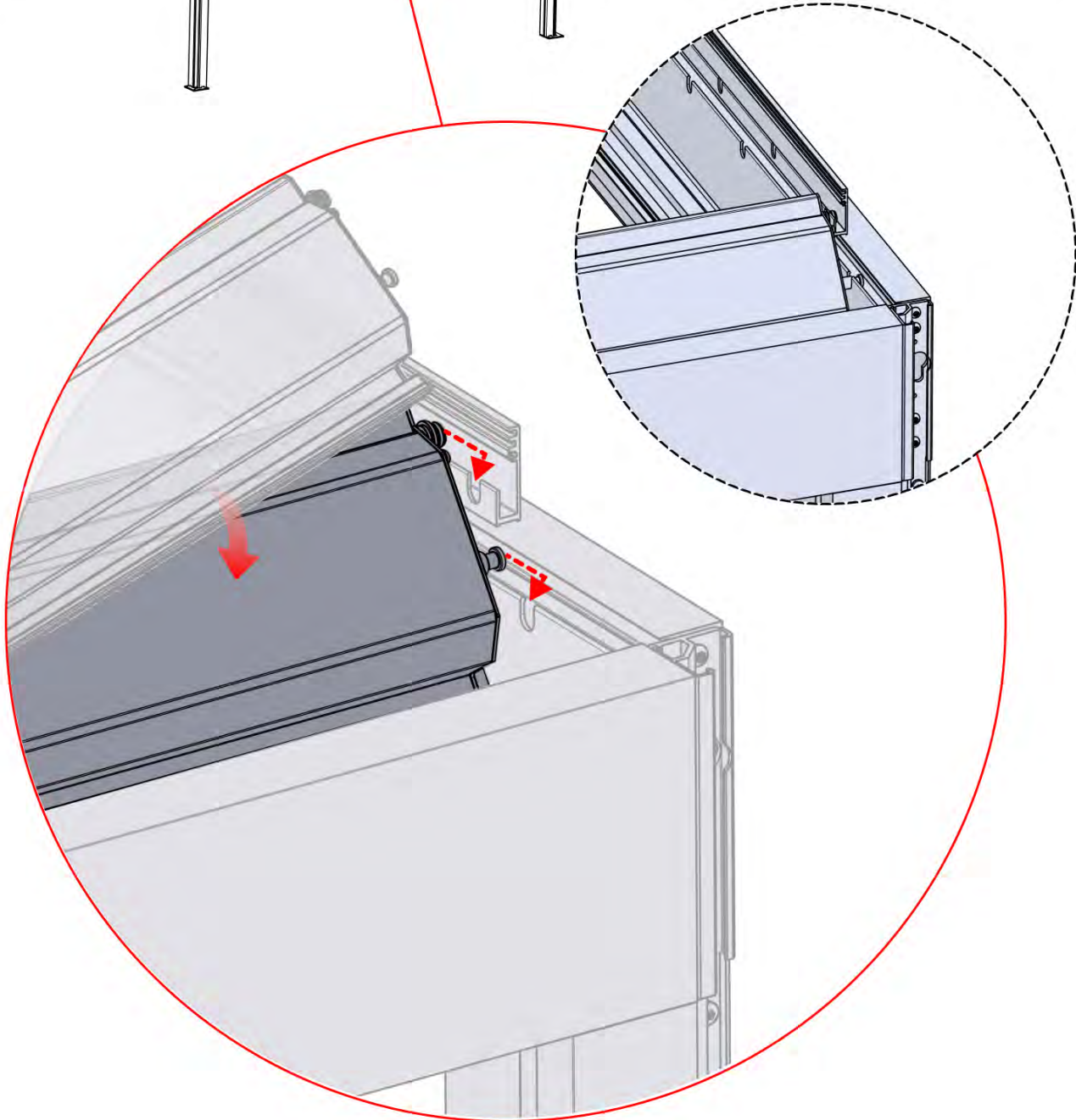
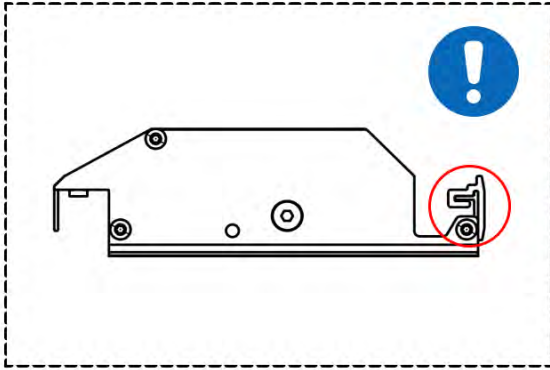
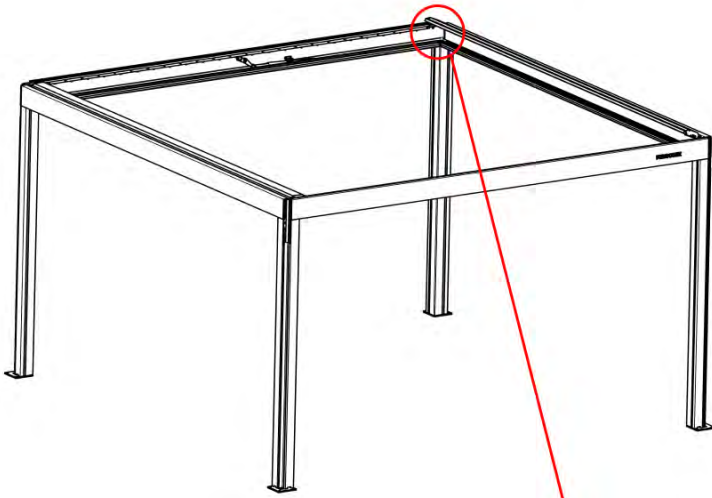
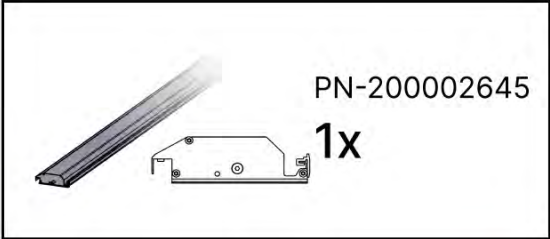
2

42

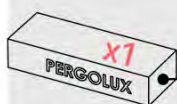


4

ANTHRACITE: L227
WHITE: L231
BLACK: L229

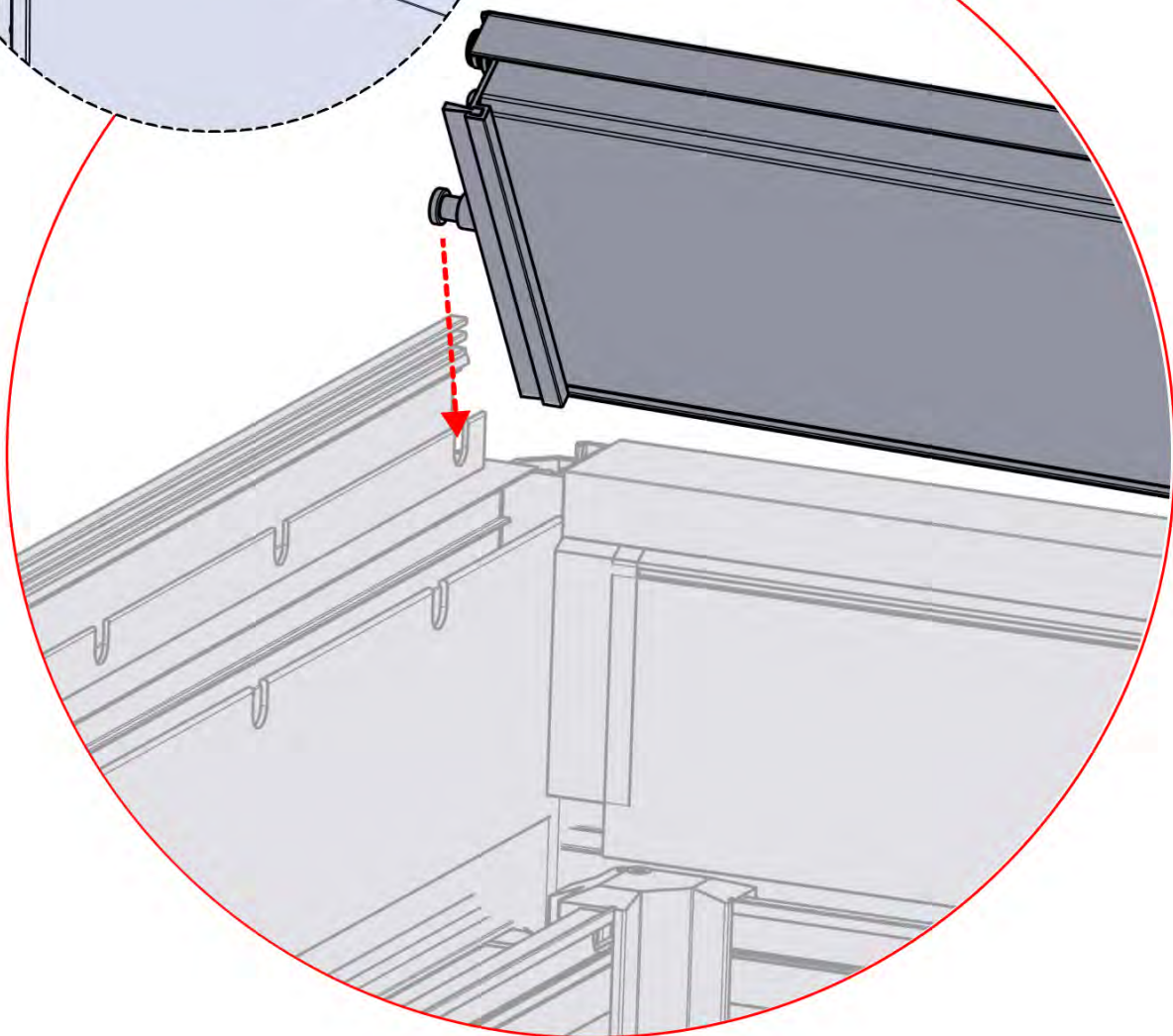
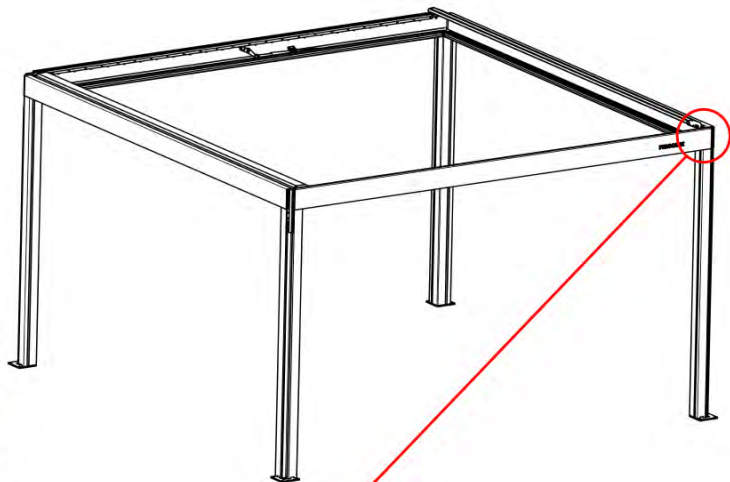
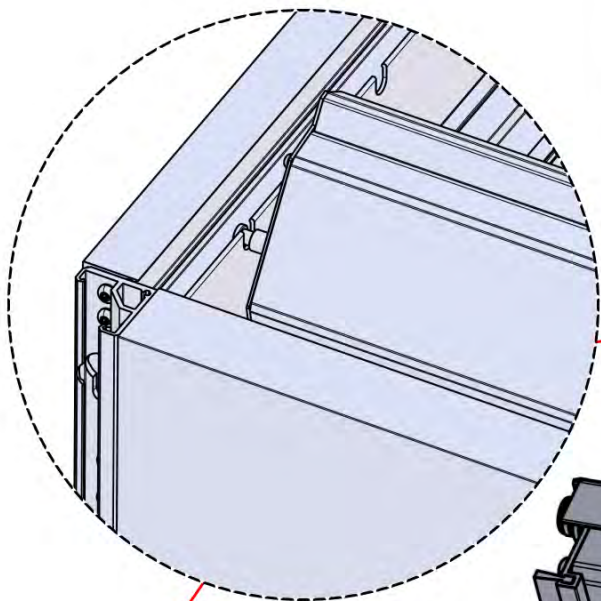
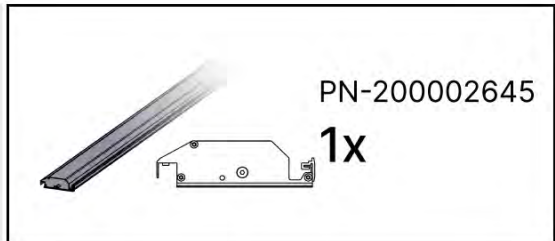


43



3

ANTHRACITE: L227
WHITE: L231
BLACK: L229

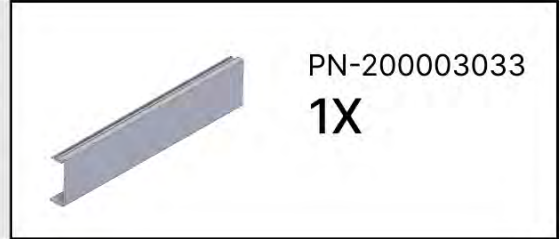


44

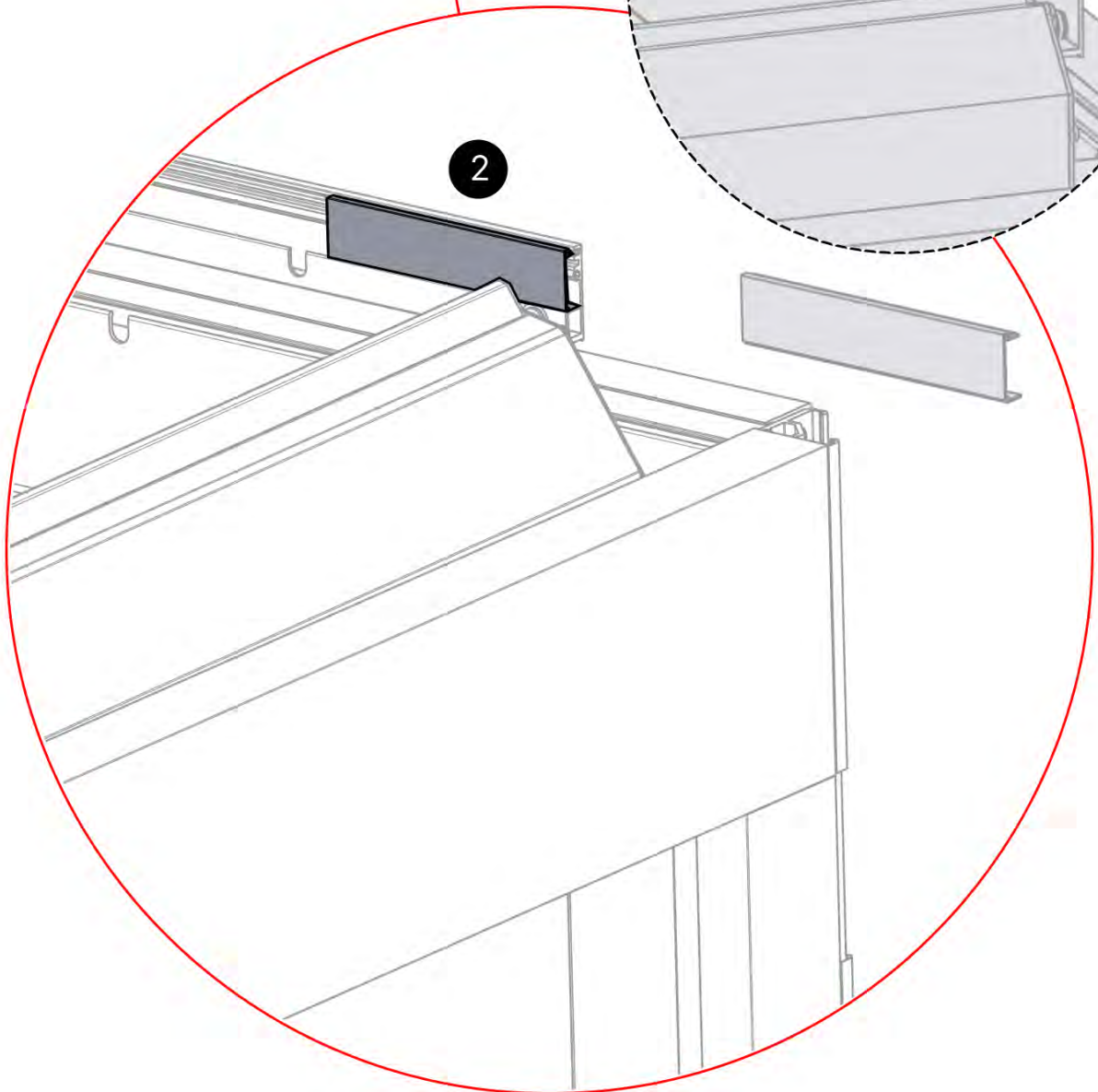
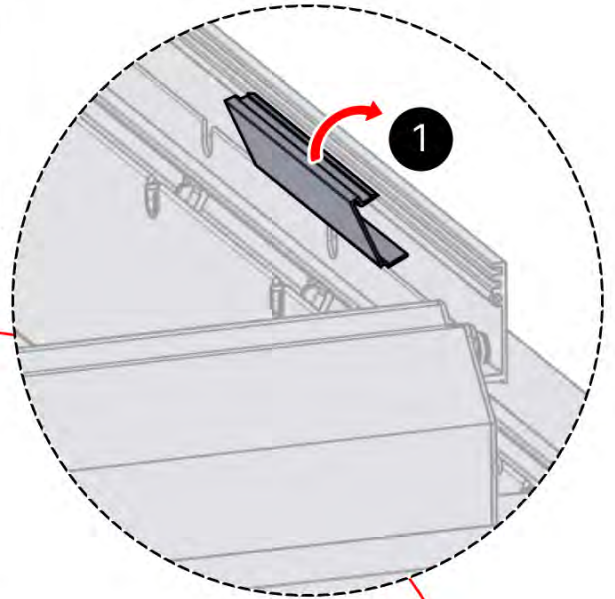
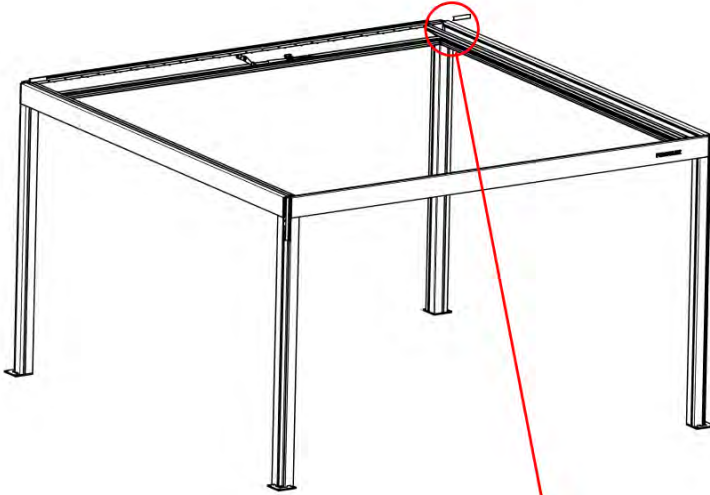


4

ANTHRACITE: B233
WHITE: B241
BLACK: B237



PN-200003033
1X



45



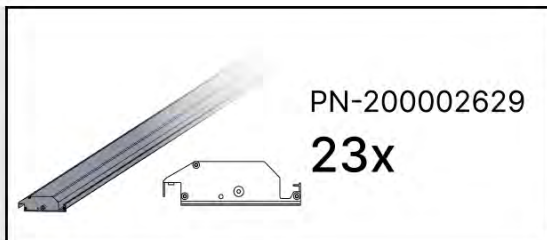
3

ANTHRACITE: L227
WHITE: L231
BLACK: L229



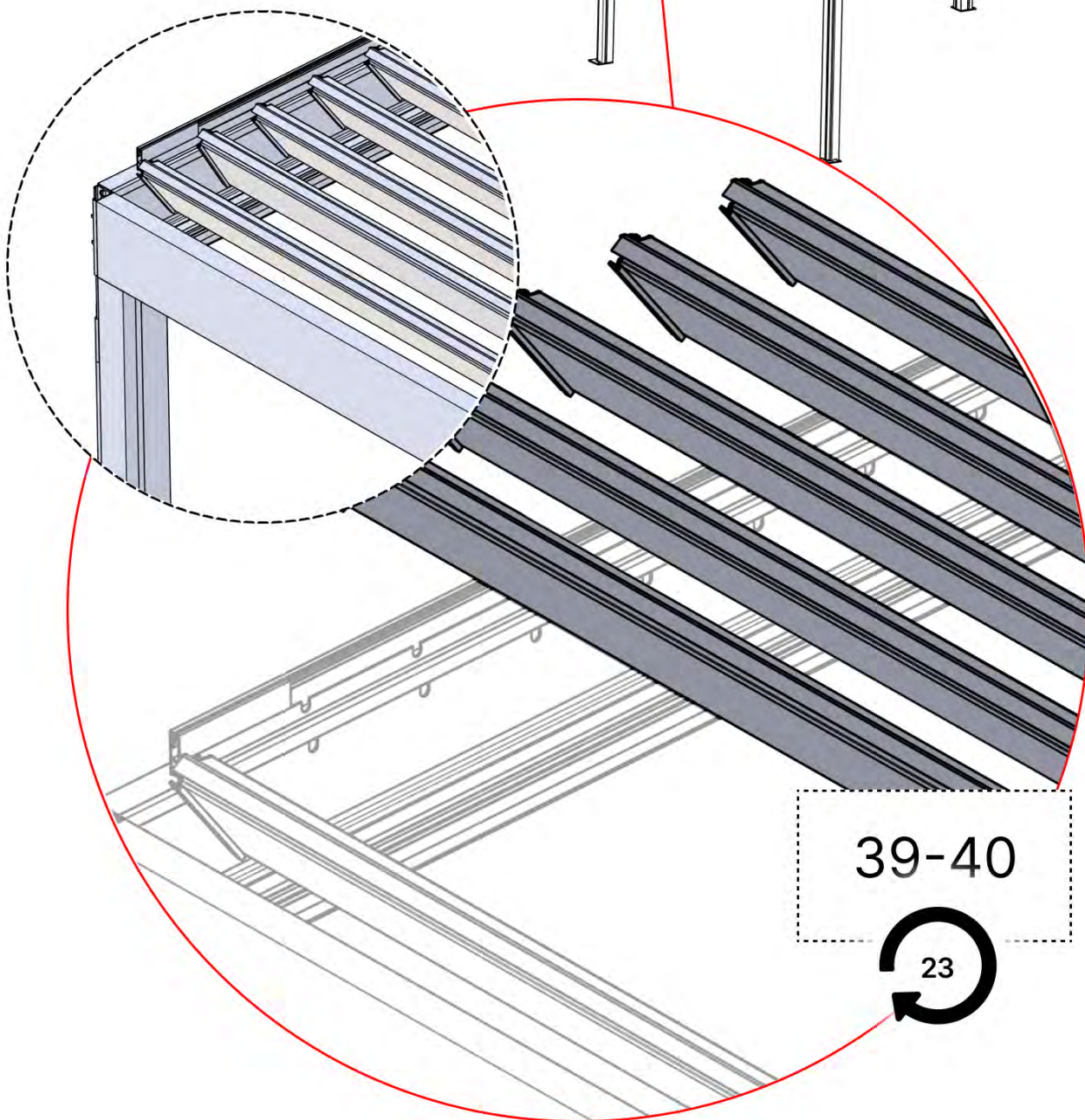
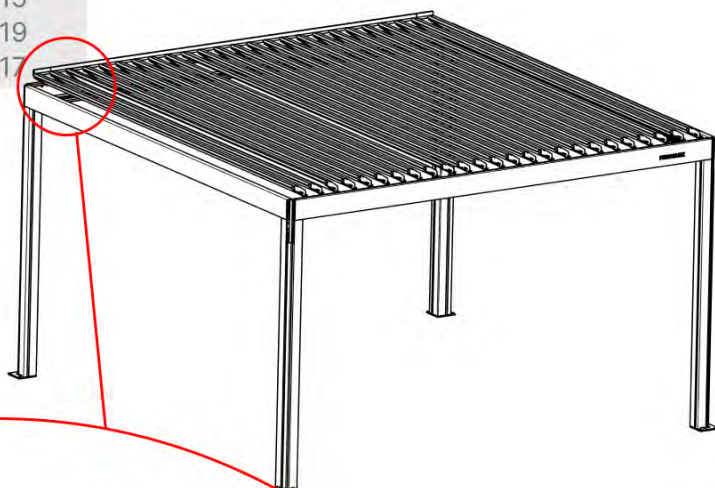
2

ANTHRACITE: L215
WHITE: L219
BLACK: L217



PN-200002629

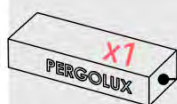
23x



39-40

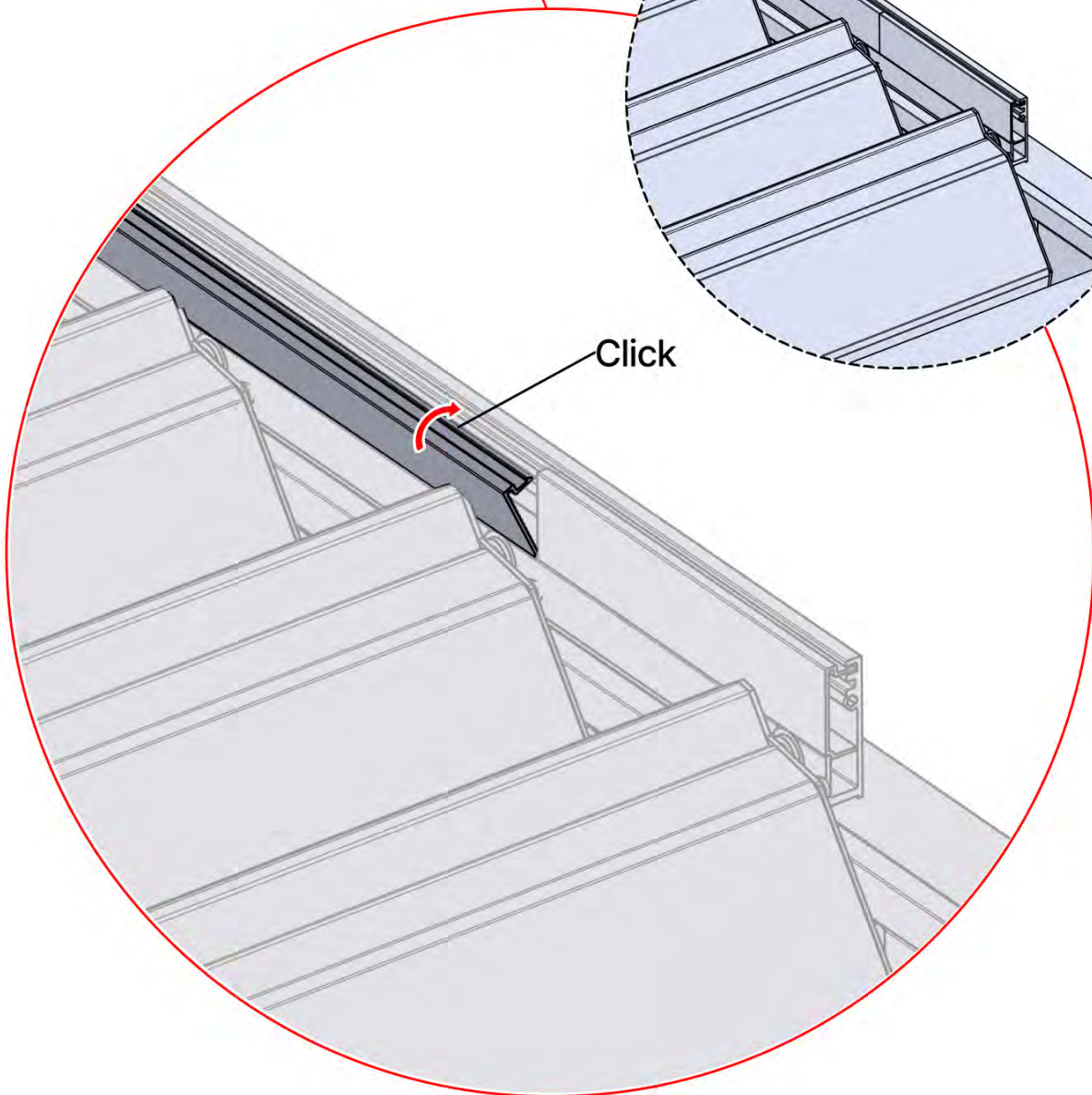
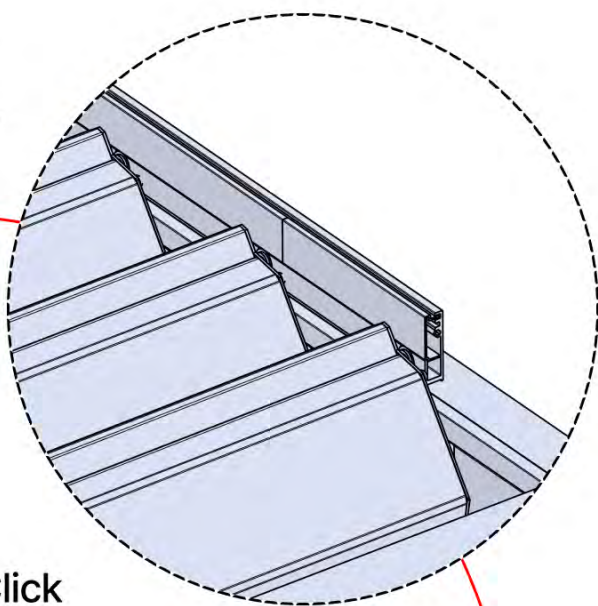
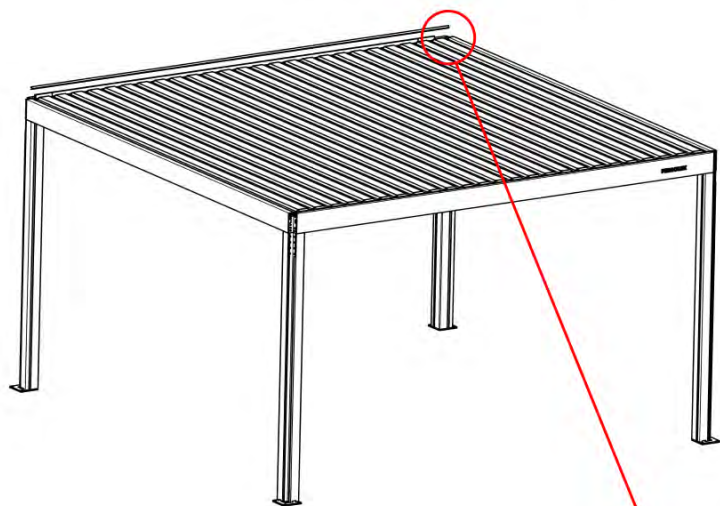
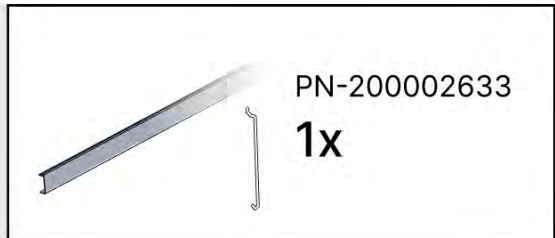
23

46

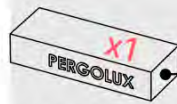


4

ANTHRACITE: B233
WHITE: B241
BLACK: B237

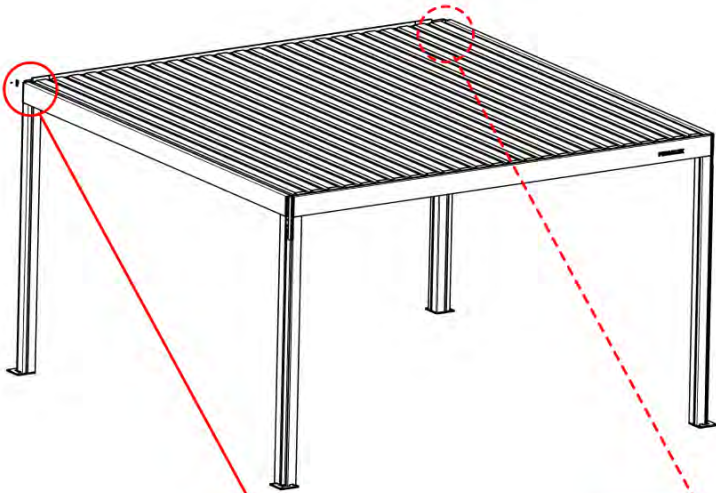


47



4

ANTHRACITE: B233
WHITE: B241
BLACK: B237



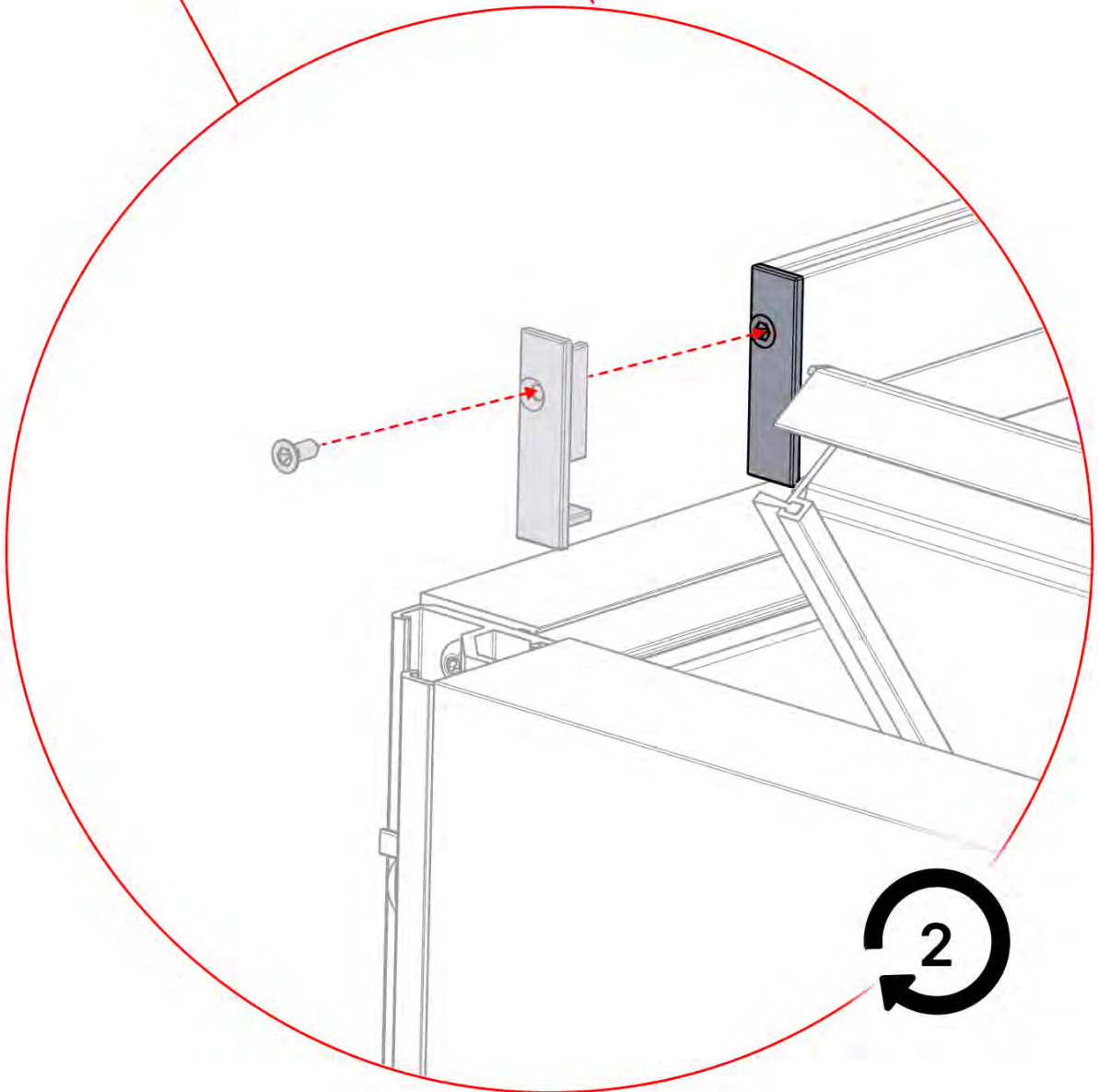
PN-200003030
1x



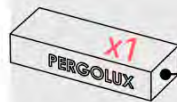
PN-200003031
1x



PN-200001207
1x

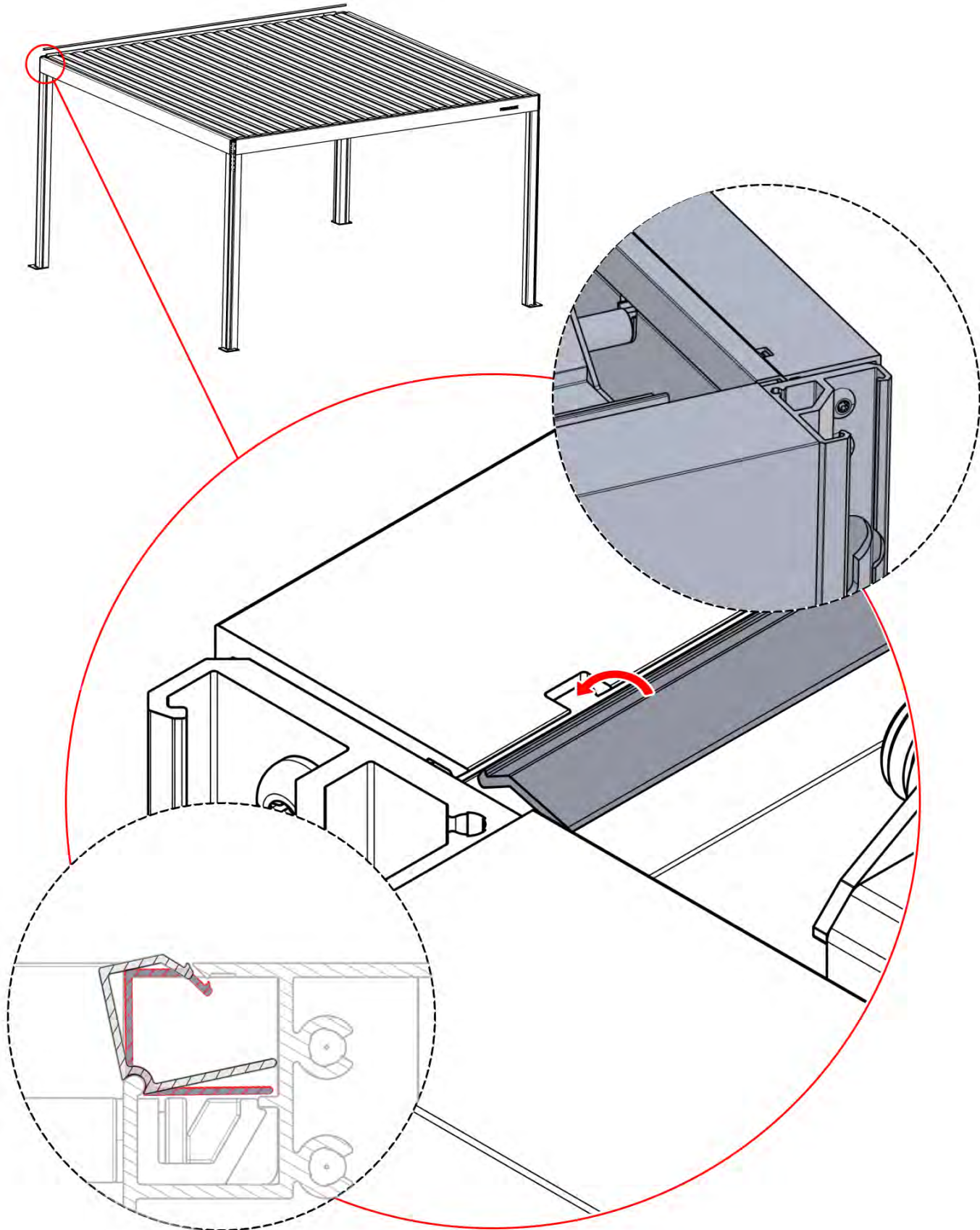
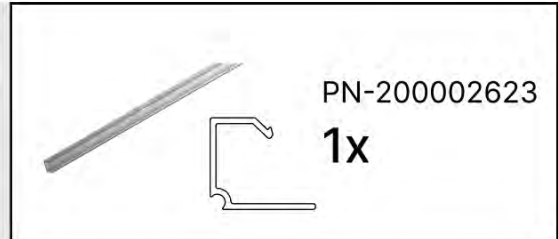


48

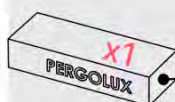


4

ANTHRACITE: B233
WHITE: B241
BLACK: B237

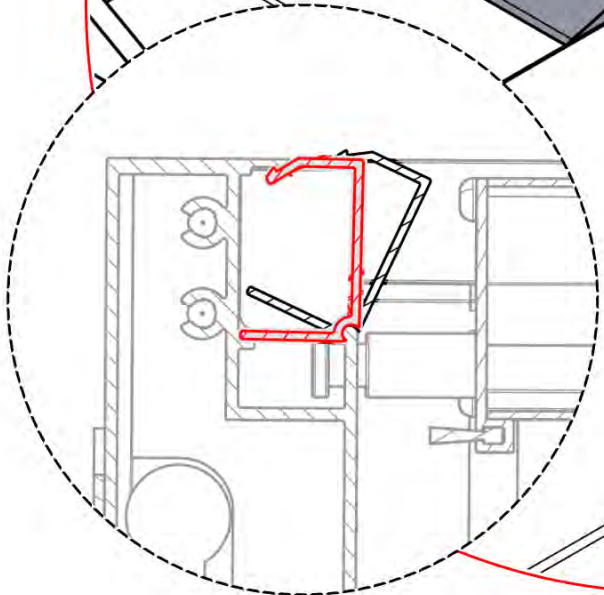
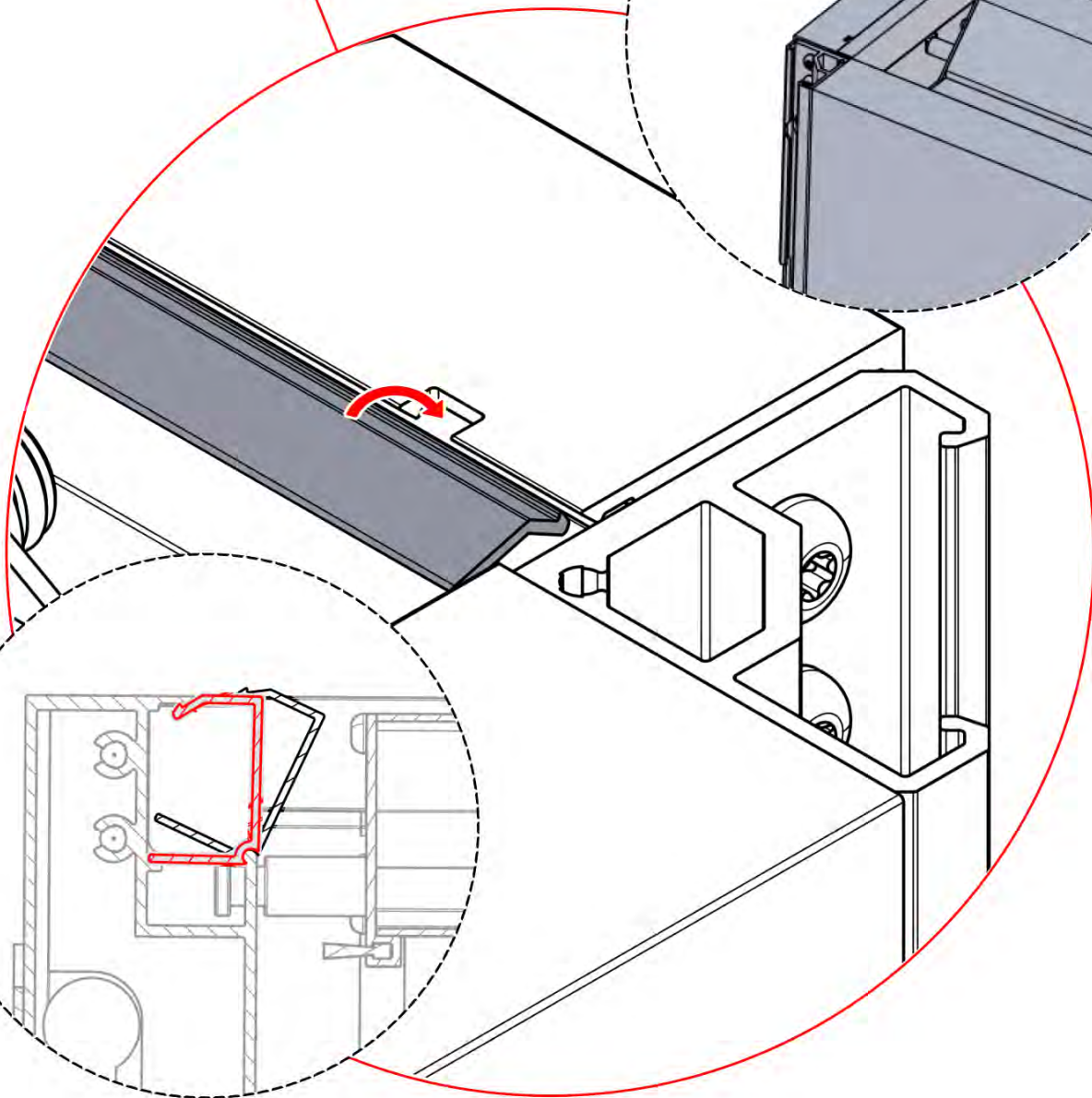
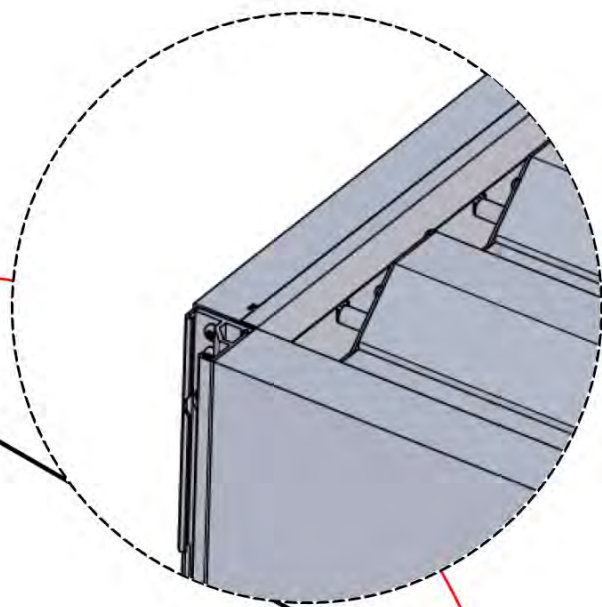
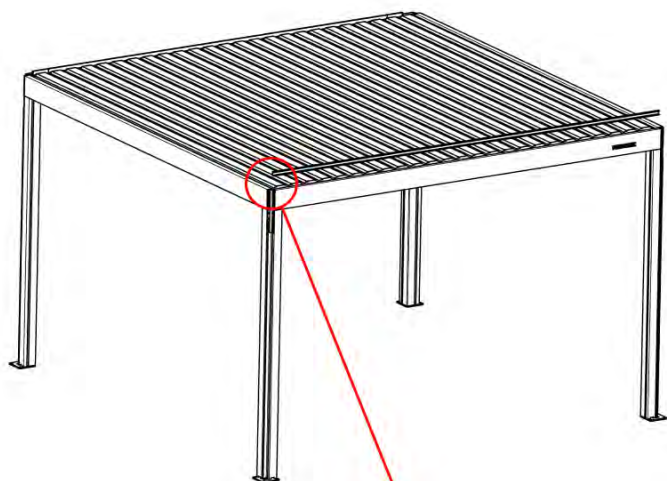
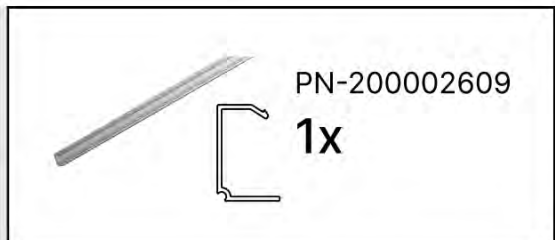


49



4

ANTHRACITE: B233
WHITE: B241
BLACK: B237




50


x2
PERGOLUX
PERGOLUX

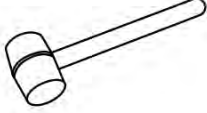
4


ANTHRACITE: C120
WHITE: C122
BLACK: C121

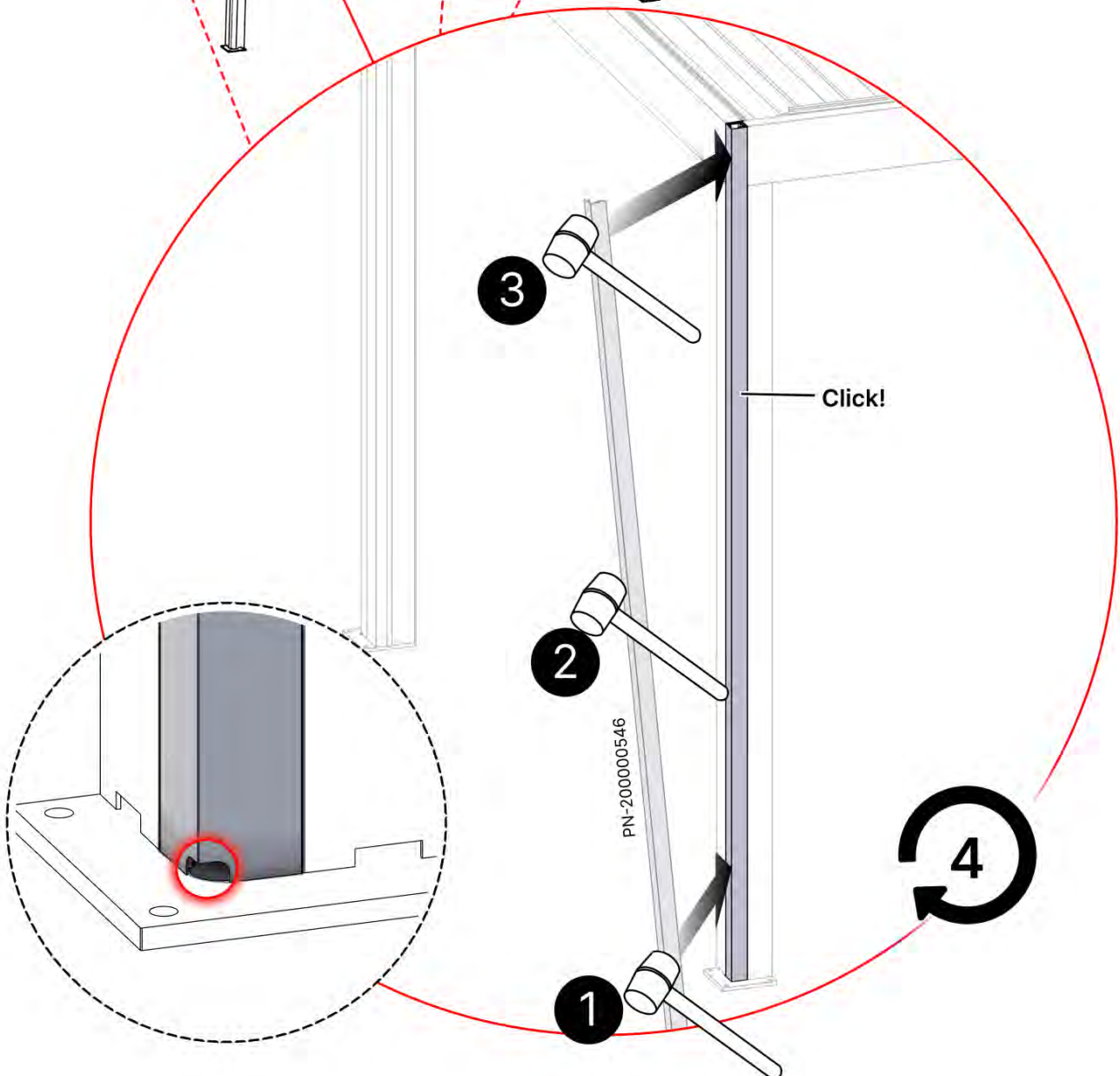
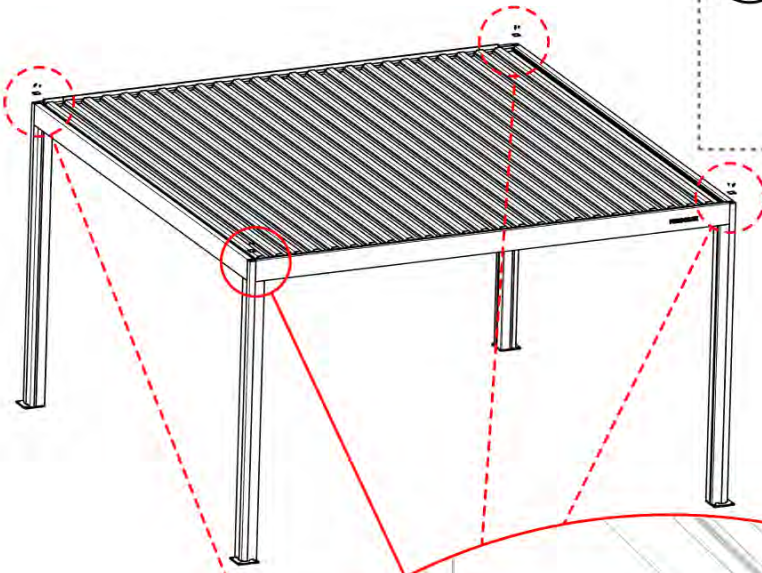
PN-200003386
2X









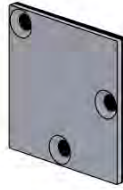


51



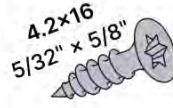
4

ANTHRACITE: B233
WHITE: B241
BLACK: B237



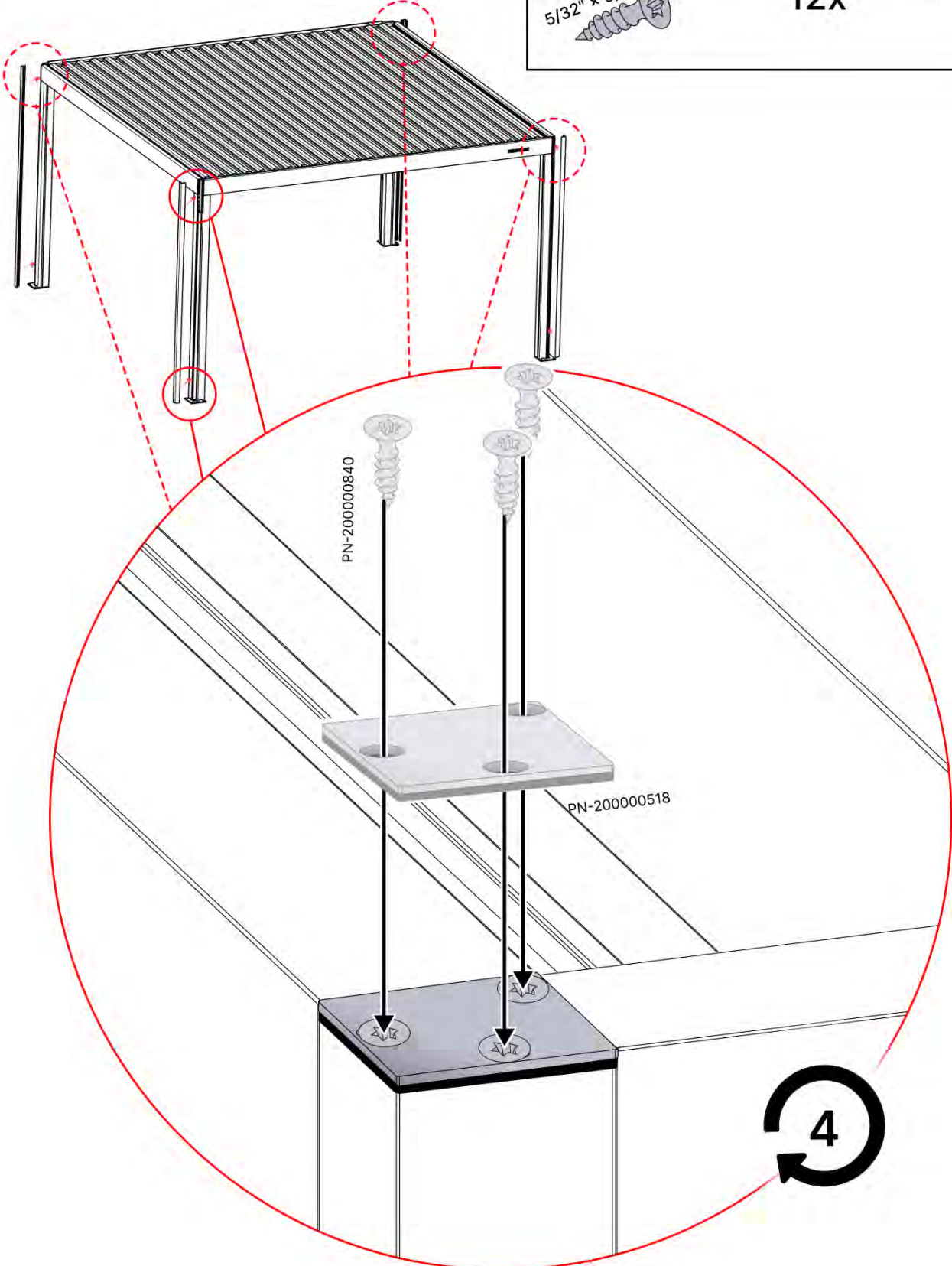
PN-200001514

4x

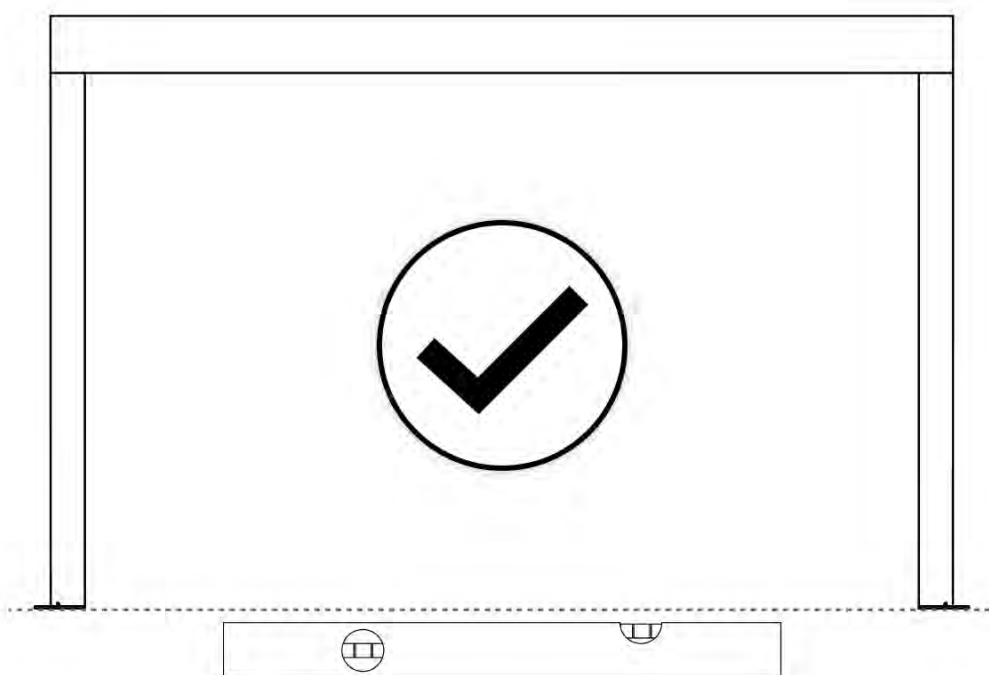
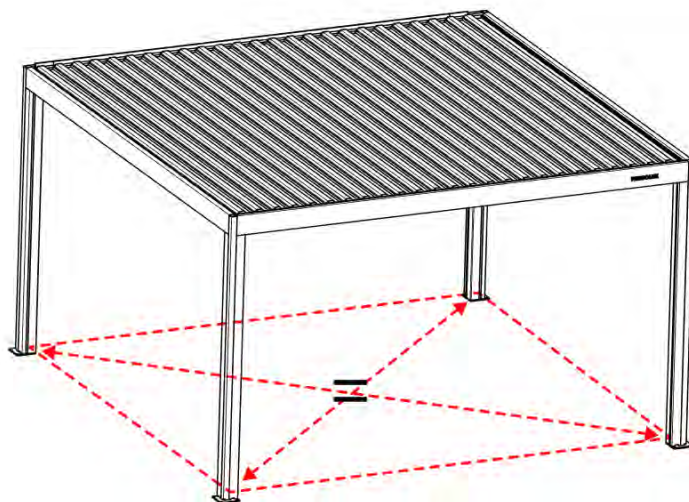
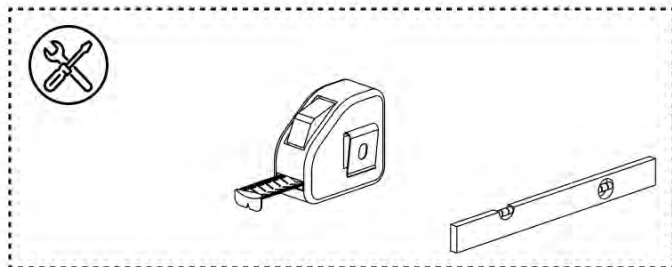


PN-200000840

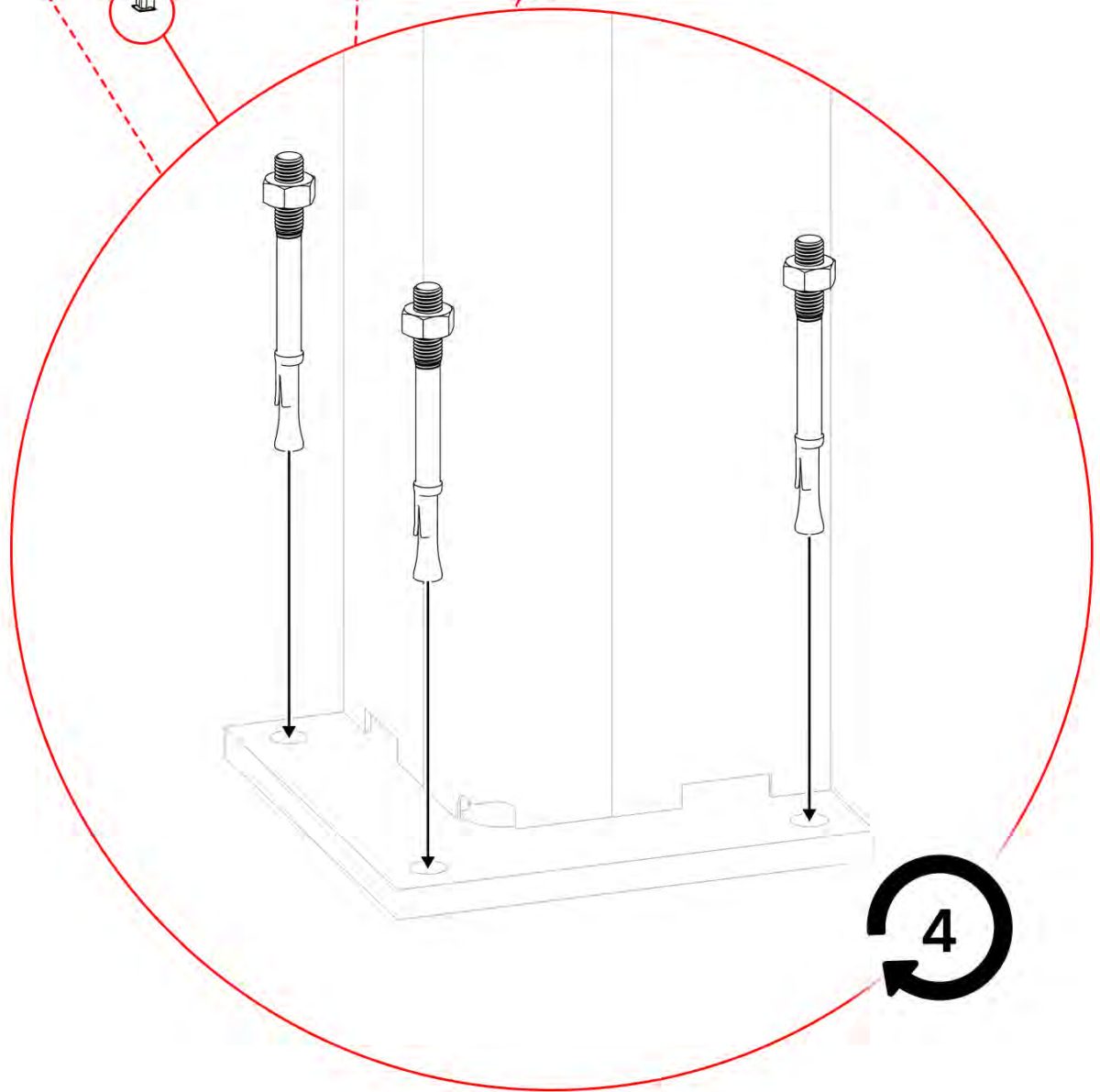
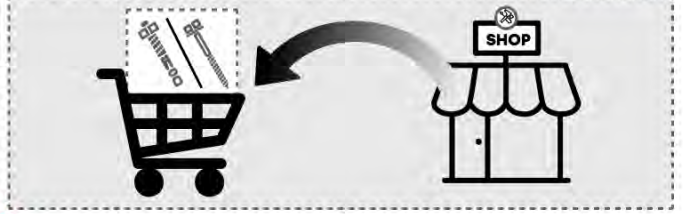
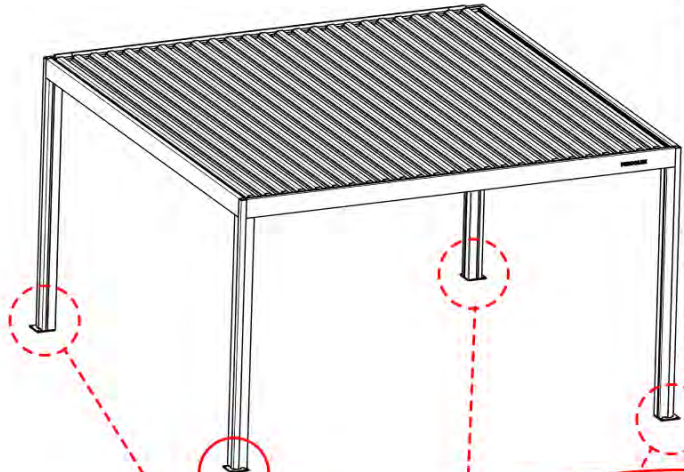
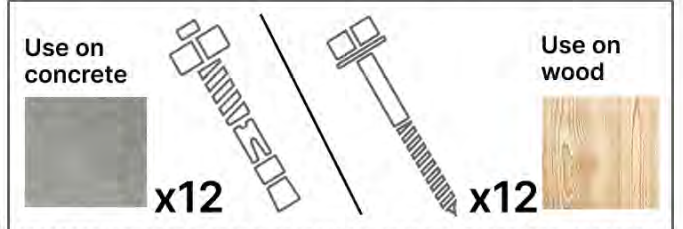
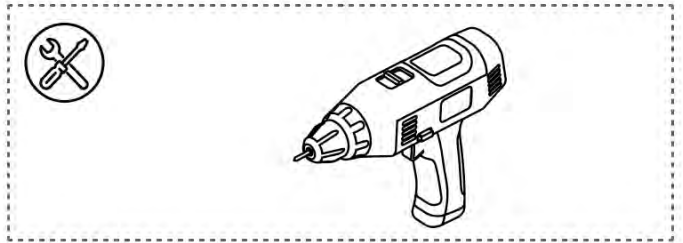
12x



52



53



PERGOLUX | PERGOLA PRO FREESTANDING S4

3 X 4 M / 10' x 13'

