

S4

# PERGOLA

## PRO



**3 × 5m / 13' x 16'**  
FREESTANDING

---

**PERGOLUX**

---



Designed and  
developed  
in Norway



Type Approved  
Regular  
Production  
Surveillance

[www.tuv.com](http://www.tuv.com)  
ID 1111293124

# INFORMATION



## INSTALLATION INSTRUCTIONS:

Ensure all parts are present and undamaged before starting the assembly.

Secure to a solid foundation with the correct fasteners for your foundation.

(If applicable) Install motors and wiring as shown. Ensure the electrical components are powered off during installation.

Use the correct lifting and installation equipment.

### SAFETY WARNINGS:

Keep children and pets away during installation.

Do not operate the structure if parts are loose or improperly installed.

Ensure the structure is securely anchored to prevent accidents.

Do not insert fingers or any objects between the louvres.

### MAINTENANCE:

Regularly clean the aluminum structure to maintain its appearance and prevent the accumulation of dirt.

Also, make sure to clean the gutters regularly. Inspect moving parts for wear and lubricate as necessary.

Check anchor points periodically to ensure stability.



## INSTALLATIONSANLEITUNG:

Stellen Sie sicher, dass alle Teile vorhanden und unbeschädigt sind, bevor Sie mit der Montage beginnen.

Befestigen Sie sie mit den richtigen Befestigungselementen für Ihr Fundament auf einem soliden Fundament.

(Falls zutreffend) Installieren Sie Motoren und Verkabelung wie gezeigt. Stellen Sie sicher, dass die elektrischen Teile während der Installation ausgeschaltet sind.

Verwenden Sie die richtige Hebe- und Installationsausrüstung.

### SICHERHEITSHINWEISE:

Halten Sie Kinder und Haustiere während der Installation fern.

Betreiben Sie die Struktur nicht, wenn Teile lose oder nicht richtig installiert sind.

Stellen Sie sicher, dass die Struktur sicher verankert ist, um Unfälle zu vermeiden.

Stecken Sie keine Finger oder andere Gegenstände zwischen die Lamellen.

### WARTUNG:

Reinigen Sie die Aluminiumstruktur regelmäßig, um ihr Aussehen zu erhalten und die Ansammlung von Schmutz zu verhindern.

Reinigen Sie auch die Dachrinnen regelmäßig. Überprüfen Sie bewegliche Teile auf Verschleiß und schmieren Sie sie bei Bedarf.

Überprüfen Sie die Ankerpunkte regelmäßig, um die Stabilität sicherzustellen.



Pergolux International GmbH, 9 Goethestraße,  
36043 Fulda,  
Germany

25

DOP-SUN-FSWM-S2S3

EN 13561:2015

Pergolux Sundream S2/S3

External use in buildings and other  
construction works

Resistance to wind loads: Class 6 (EN 13561)

# SYMBOL EXPLANATION

---



Indicates the outside of the pergola structure.



This step may require extra force.



Indicates the inside of the pergola structure.



Key information to follow during installation.



Important! Be cautious when assembling or handling this part.



This item must be purchased separately.



Required tools for assembly.



Apply lubricant to make screw assembly easier.



Ensure grounding is connected before powering up.



Do not use a regular hammer, as it may cause damage.



Align slats according to sunlight direction for optimal shading.



AC Input



Repeat this step as many times as the number indicates



Motor



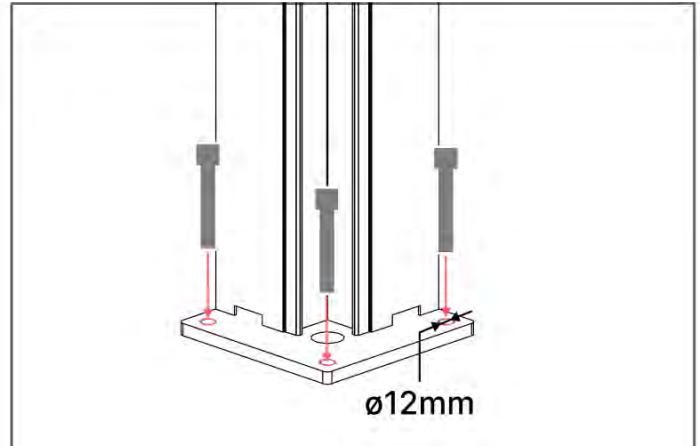
Turn around

# INFORMATION



PN-200000652

Use a high-quality, weather-resistant and mold-resistant adhesive and sealant to seal the corners of the pergola and prevent leakage. Look for products that are designed for outdoor use and provide a strong, long-lasting bond.



ø12mm

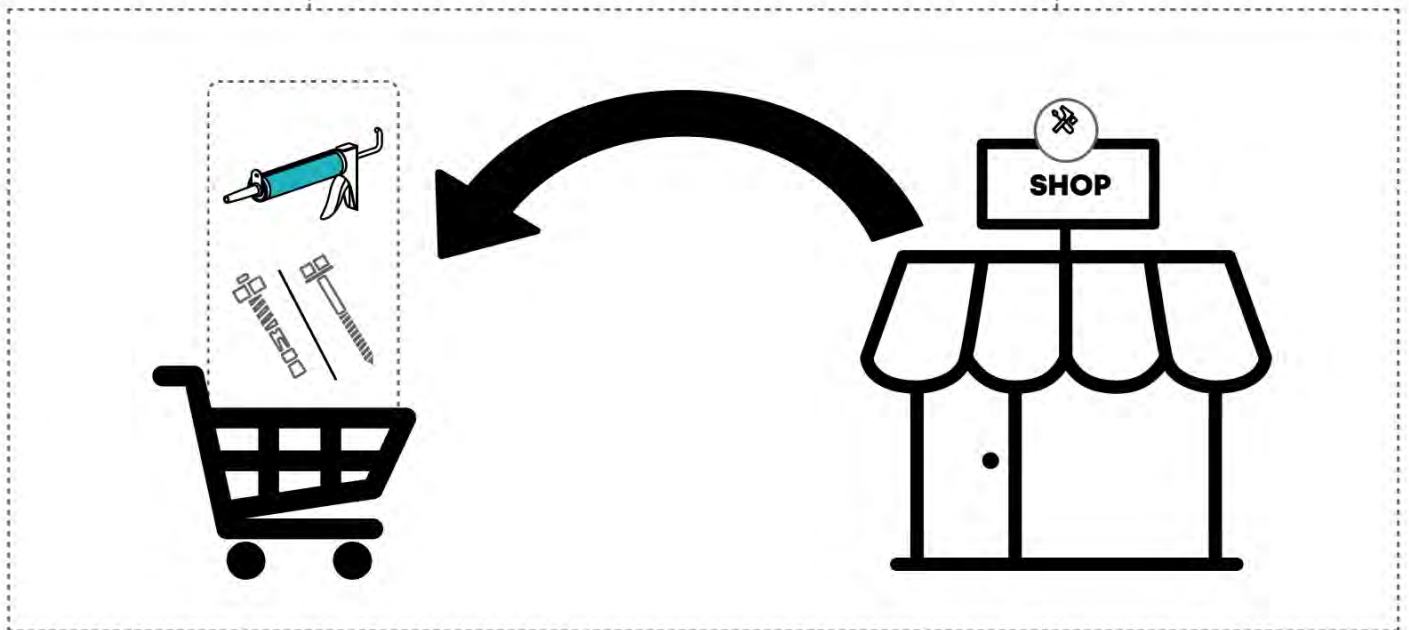
Use on concrete

Use on wood

x12

x12

You need to buy your needed screws to attach the pergola to the ground



SHOP

# INFORMATION

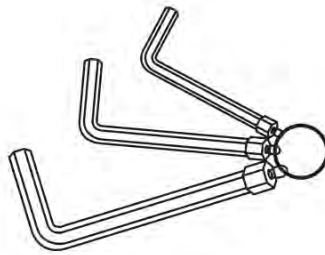
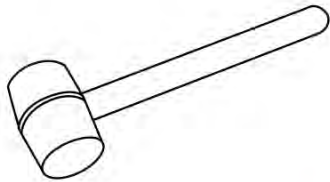
---

All screws from **PERGOLUX** are made of stainless steel, ensuring durability and resistance to rust. To prevent damage to screws, follow these guidelines:

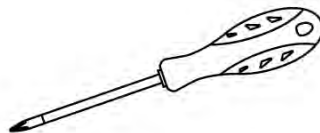
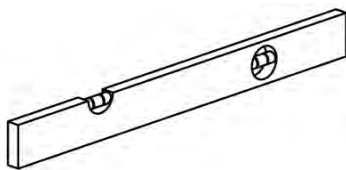
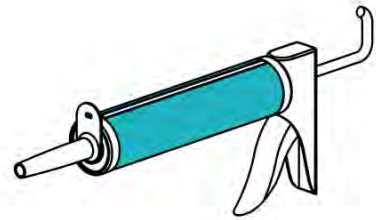
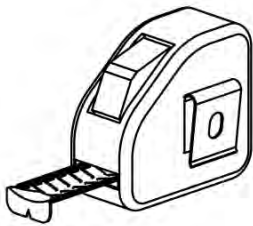
- **DO NOT OVERTIGHTEN:** Apply appropriate force to avoid stripping the threads.
- **CHOOSE THE CORRECT TOOL:** Use the proper screwdriver or bit to avoid damaging the screw head.
- **ENSURE PROPER USE:** With correct installation, screws will maintain their integrity and functionality over time.
- **USE LUBRICATION:** Apply lubricant to make screw assembly easier.



# INFORMATION



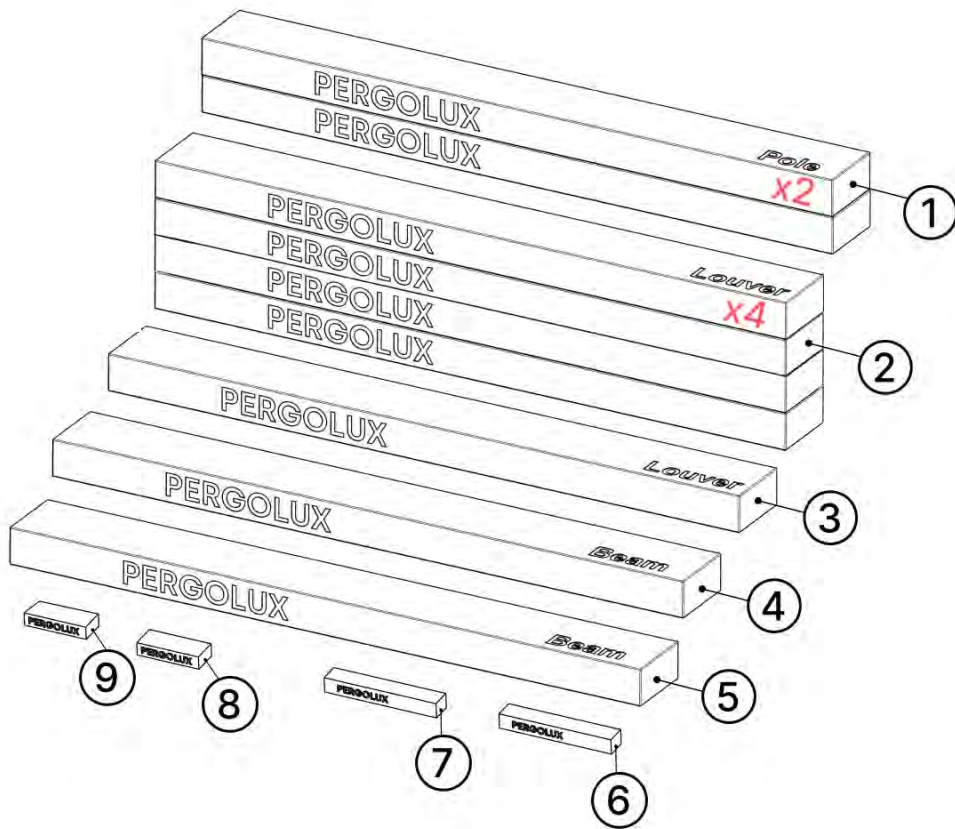
3mm, 4mm, 5mm



TX15, TX20, TX25, TX30

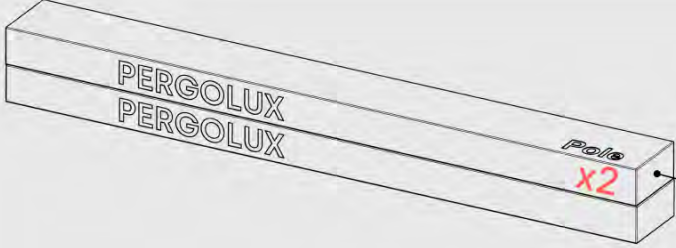


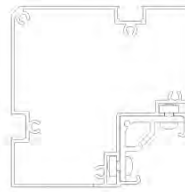
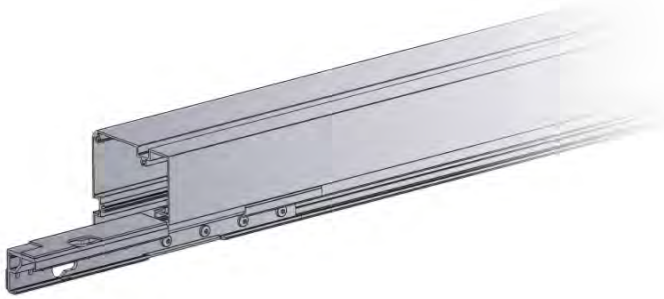
# PACKAGE OVERVIEW



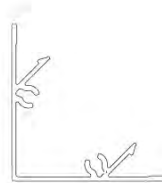
ORDER	ANTHRACITE	WHITE	BLACK
①	C120	C122	C121
②	L215	L219	L217
③	L227	L231	L229
④	B234	B242	B238
⑤	B256	B260	B258
⑥	WHITE / RGB LED		
⑦	MOTOR		
⑧	CONTROL BOX		
⑨	POWER CABLE		

# ITEMS IN BOX

	ANTHRACITE	WHITE	BLACK
	<b>1</b> C120	C122	C121



PN-200002606  
**4x**

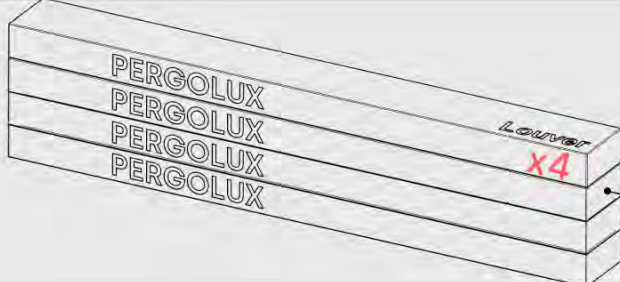


PN-200003386  
**4x**

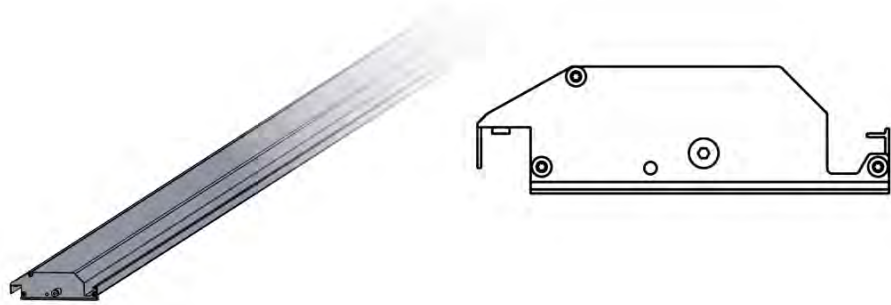


PN-200002614  
**2x**

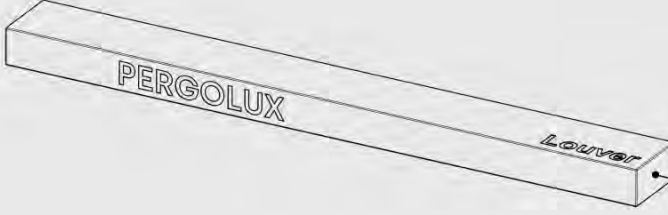
# ITEMS IN BOX



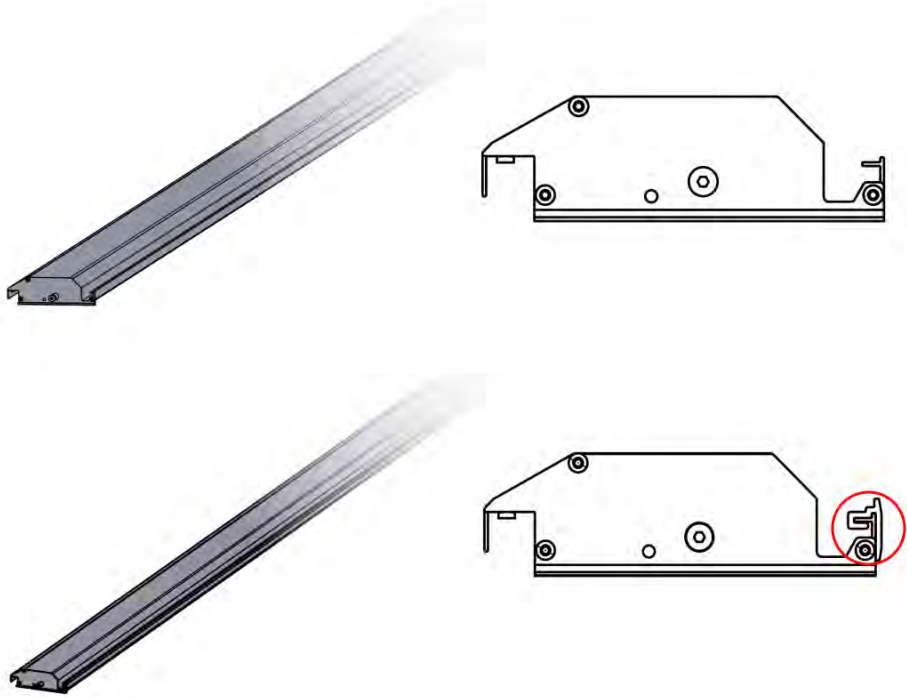
	ANTHRACITE	WHITE	BLACK
	L215	L219	L217



PN-200002629  
**6x**




	ANTHRACITE	WHITE	BLACK
	L227	L231	L229

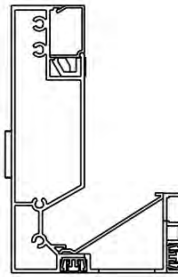


PN-200002629  
**6x**

PN-200002645  
**1x**

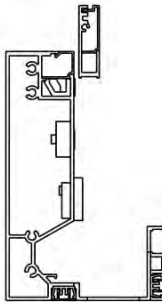
# ITEMS IN BOX

	ANTHRACITE	WHITE	BLACK
	<b>4</b> B234	B242	B238



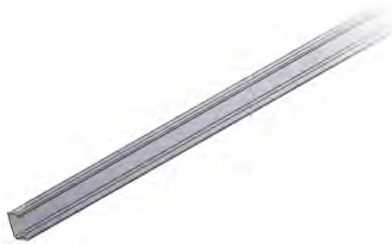
PN-200003354

**1x**



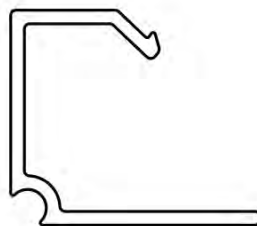
PN-200002860

**1x**



Premounted  
PN-200002974

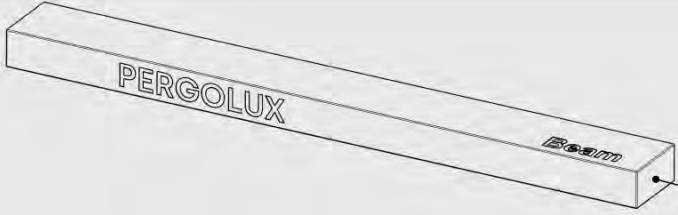
**1x**

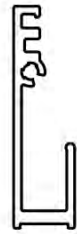


Premounted  
PN-200002861

**1x**

# ITEMS IN BOX

	ANTHRACITE	WHITE	BLACK
	<b>4</b> B234	B242	B238



PN-200002973  
**1x**



**Premounted**  
PN-200002972  
**1x**

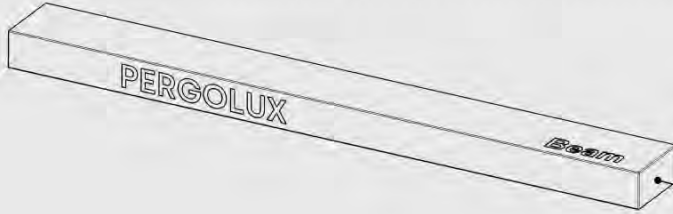


**Premounted**  
PN-200003381  
**1x**

# ITEMS IN BOX



Note: If accessory bags lack part number stickers, refer to the manual for identification.



ANTHRACITE    WHITE    BLACK

**4**

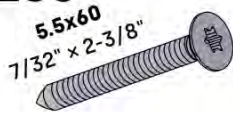
B234

B242

B238



PN-20000  
**3280**



PN-200000560  
**20x**



PN-20000  
**3320**



PN-200000826  
**2x**



PN-20000  
**3282**



PN-200001514  
**4x**



PN-20000  
**3276**



PN-200002618  
**4x**



PN-200000840  
**12x**



PN-200000571  
**4x**



PN-20000  
**3278**



PN-200003031  
**1x**



PN-200003033  
**2x**



PN-200003030  
**1x**



PN-200001207  
**2x**



PN-20000  
**3279**



PN-200000568  
**32x**



PN-20000  
**3379**



PN-200000960  
**4x**



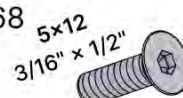
PN-20000  
**3285**



PN-200000507  
**4x**



PN-200000568  
**4x**

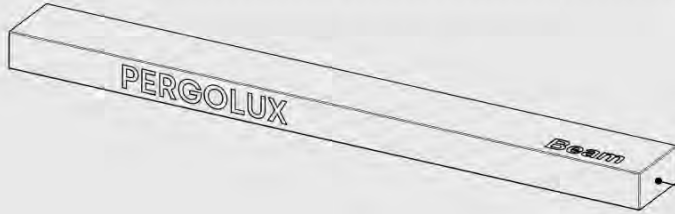


PN-200000569  
**8x**

# ITEMS IN BOX



Note: If accessory bags lack part number stickers, refer to the manual for identification.



ANTHRACITE      WHITE      BLACK

**4**

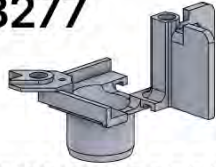
B234

B242

B238



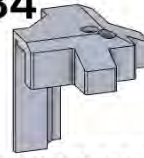
PN-20000  
**3277**



PN-200002617  
**4x**



PN-20000  
**3284**



PN-200002625  
**4x**



PN-20000  
**3371**



PN-200003372  
**1x**



PN-200001946  
**1x**



PN-200000502  
**1x**



PN-200003373  
**1x**



PN-200000561  
**1x**



PN-20000  
**3281**



PN-200002622  
**4x**




PN-200000680  
**8x**

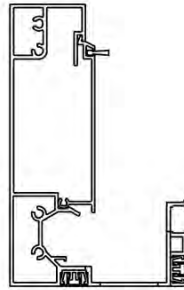
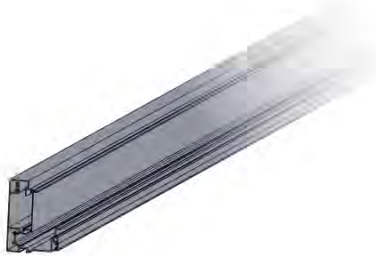


PN-200003209  
**1x**

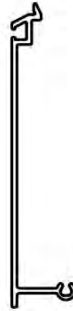
# ITEMS IN BOX



	ANTHRACITE	WHITE	BLACK
	B256	B260	B258

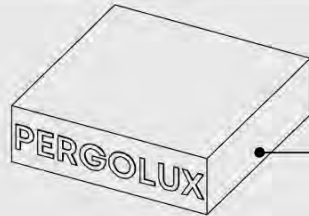


PN-200003290  
**2x**



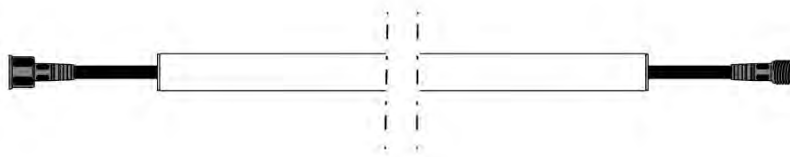
Premounted  
PN-200003554  
**2x**

# ITEMS IN BOX



6

WHITE / RGB LED



LED light strip

4x



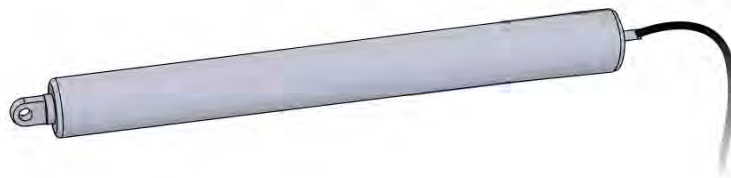
Y cable

1x



7

ELECTRIC MOTOR



Electric motor  
PN-200001562

1x



PN-200001623

1x



PN-200001624

1x



PN-200001625

2x

# ITEMS IN BOX

S4



8

CONTROL BOX



Control box

1x



PN-200002756

1x



Matter antenna clip

1x



PN-200002754

1x



PN-200002684

10x



PN-200002758

1x



PN-200002683

5x



PN-200002753

2x



QR-code

1x



PN-200002759

2x



3M tape

1x



PN-200002757

1x

# ITEMS IN BOX



9

POWER CABLE



Power cable

**1x**

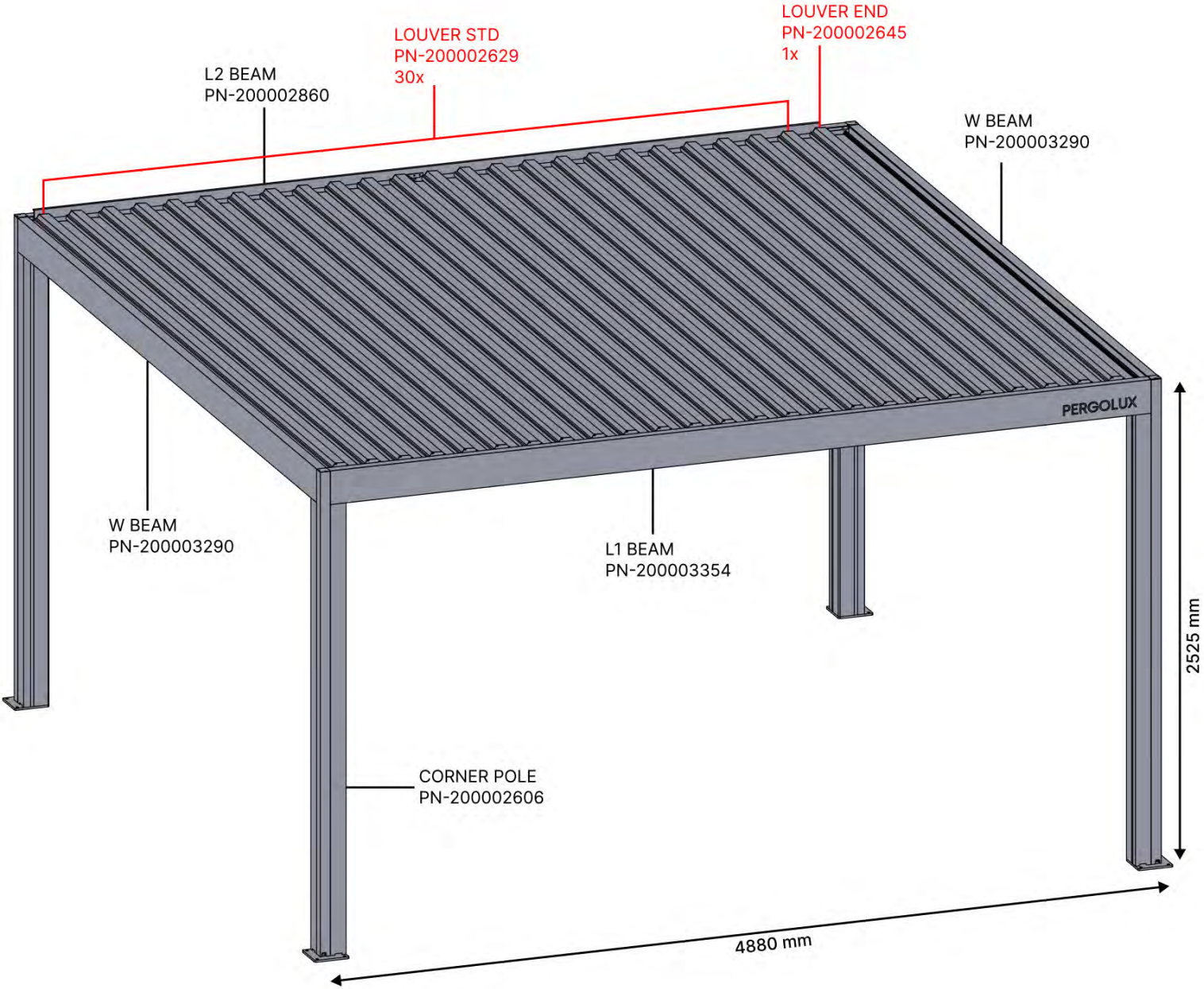


**All electric parts should be tested before installation.**

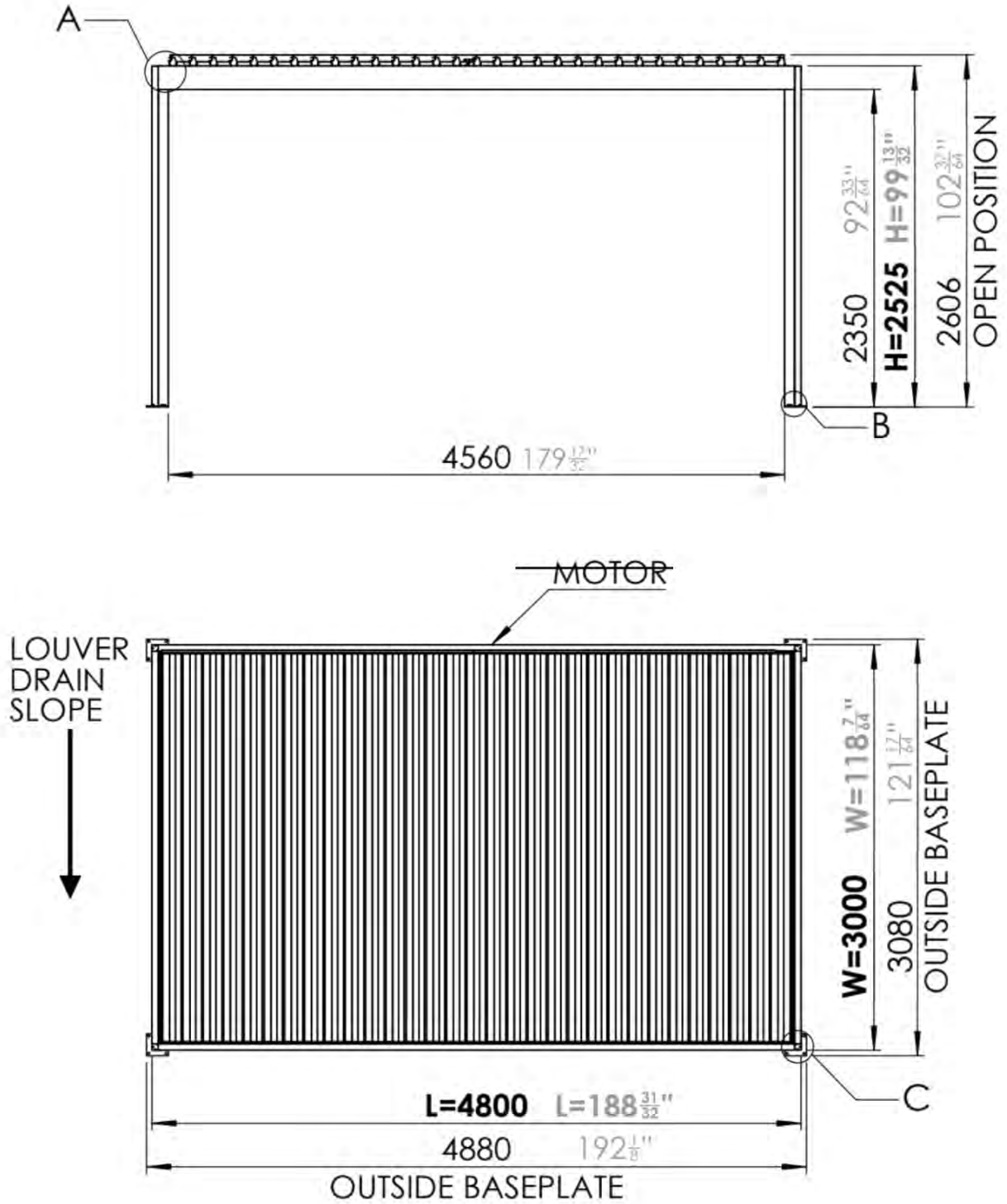
**LEDs + Motor (and heater) should be connected to the Control box and programmed to ensure functionality.**

**Matter + Smart home can be connected at anytime by simply scanning the QR code provided**

3 x 5 M / 10' x 16'



3 × 5 M / 10' x 16'



# 01

## Are you installing a screen, slat wall or glass wall?

It is recommended to remove these Snapfit covers and clips now before installing the pergola.

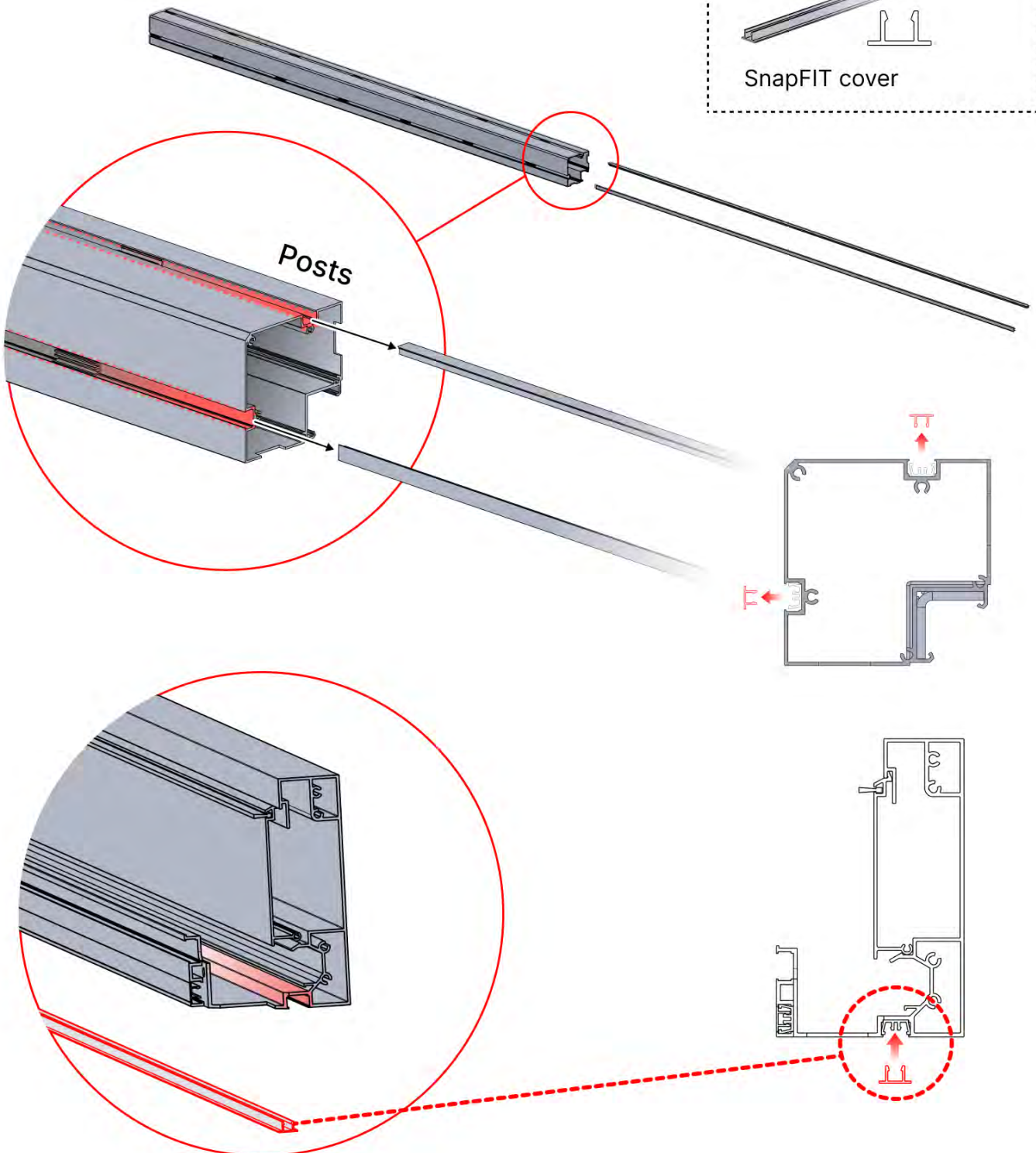
### Cover and clips



PN-200000512  
SnapFIT cover clip



SnapFIT cover



# 02

## Are you installing a heater, fan or LED lights?

It is recommended to remove both snap-fit covers from the beam now.

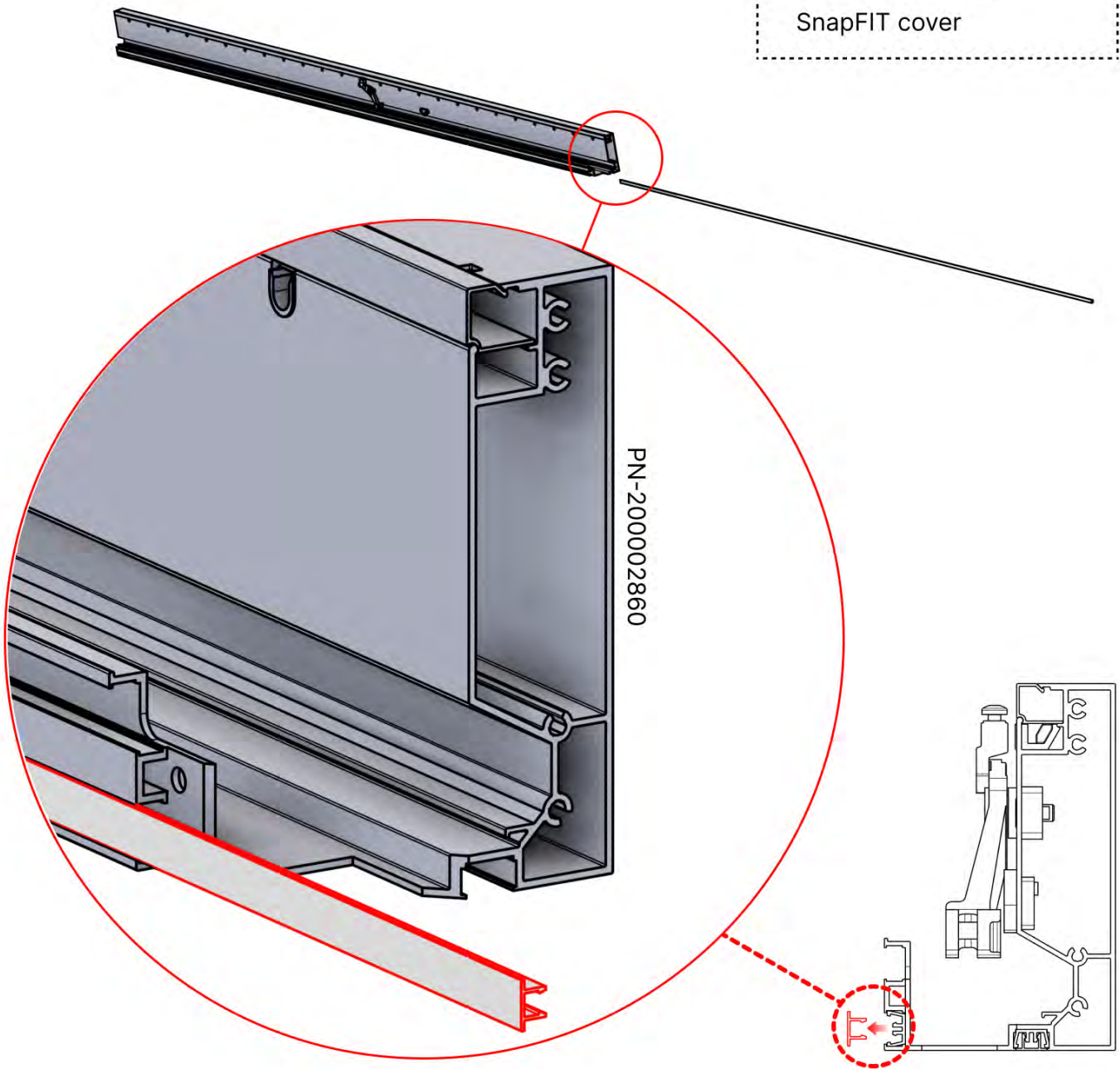
### Cover and clips



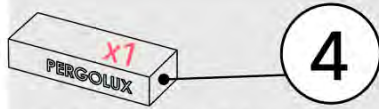
PN-200000512  
SnapFIT COVER CLIP



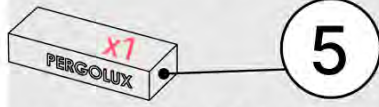
SnapFIT cover



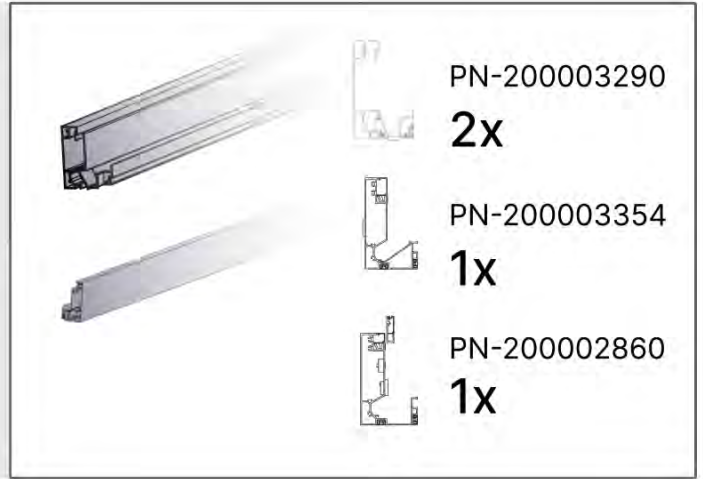
# 03



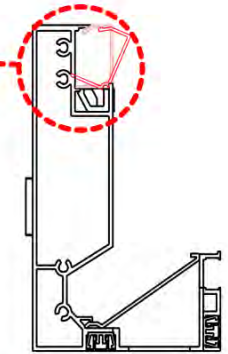
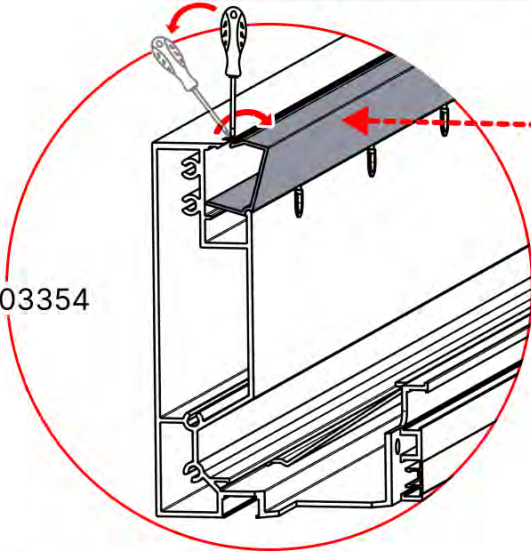
ANTHRACITE: B234  
WHITE: B242  
BLACK: B238



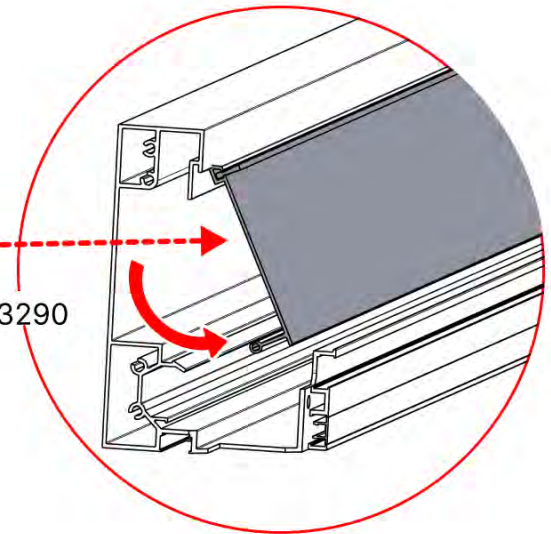
ANTHRACITE: B256  
WHITE: B260  
BLACK: B258



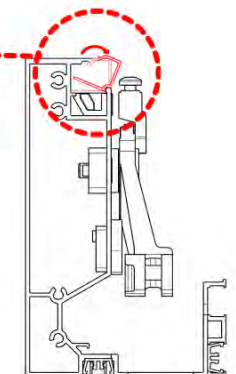
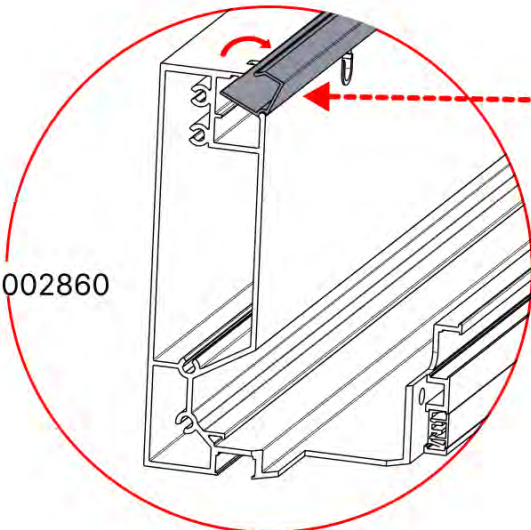
PN-200003354



PN-200003290



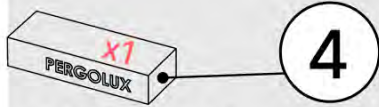
PN-200002860



# 04



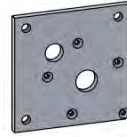
ANTHRACITE: C120  
WHITE: C122  
BLACK: C121



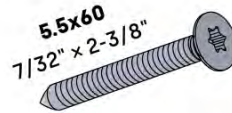
ANTHRACITE: B234  
WHITE: B242  
BLACK: B238



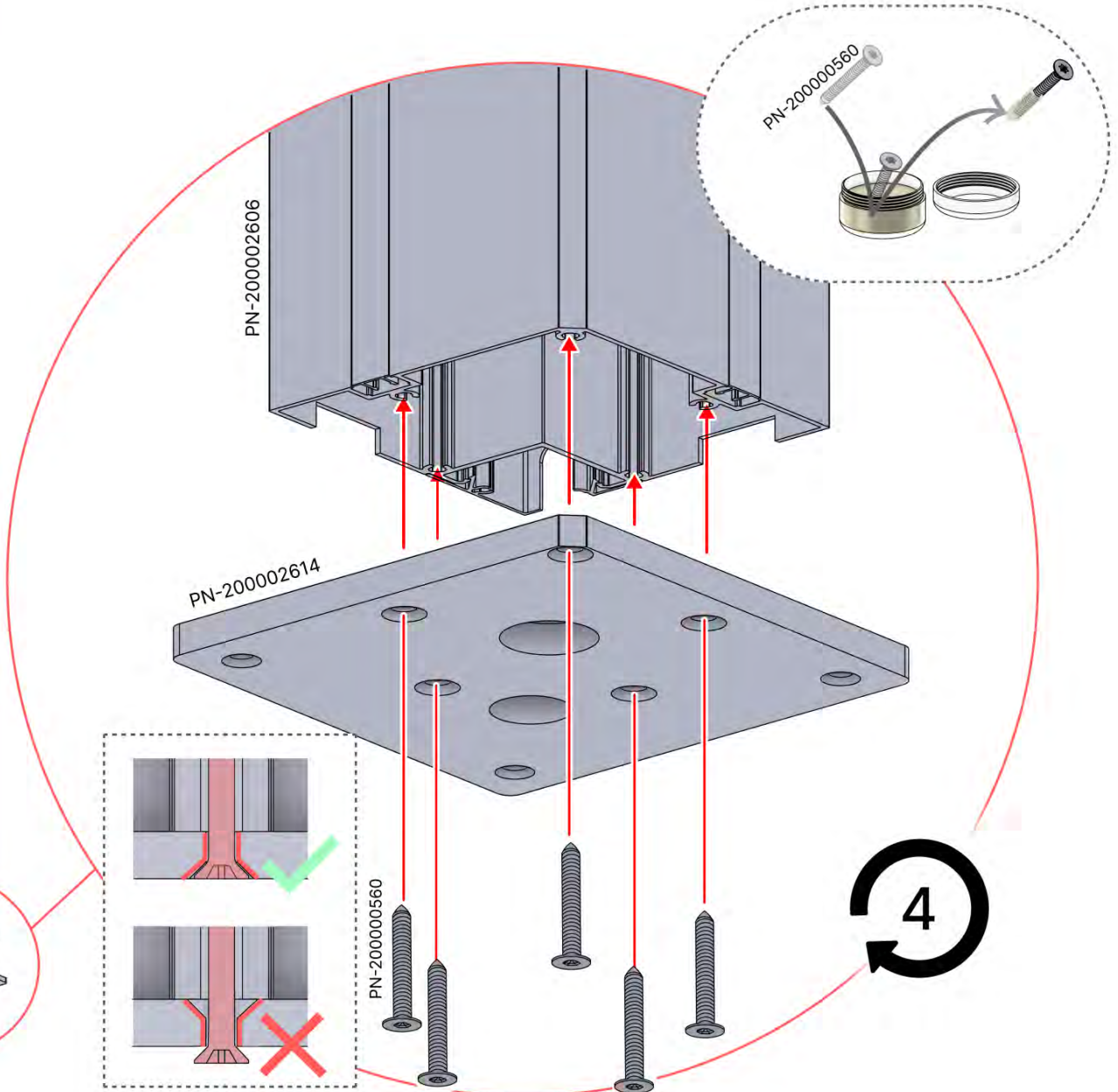
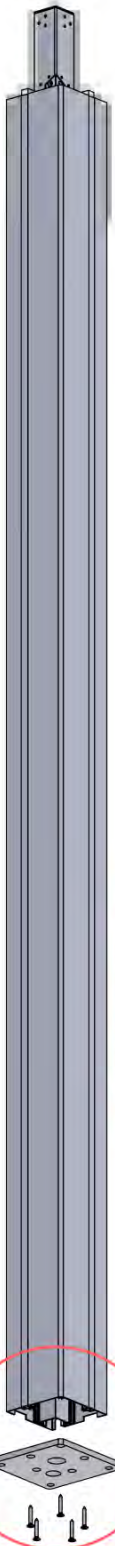
PN-200002606  
**4x**



PN-200002614  
**4x**



PN-200000560  
**20x**



# 05

**x2**  
PERGOLUX  
PERGOLUX

**1**

ANTHRACITE: C120  
WHITE: C122  
BLACK: C121

**x7**  
PERGOLUX

**4**

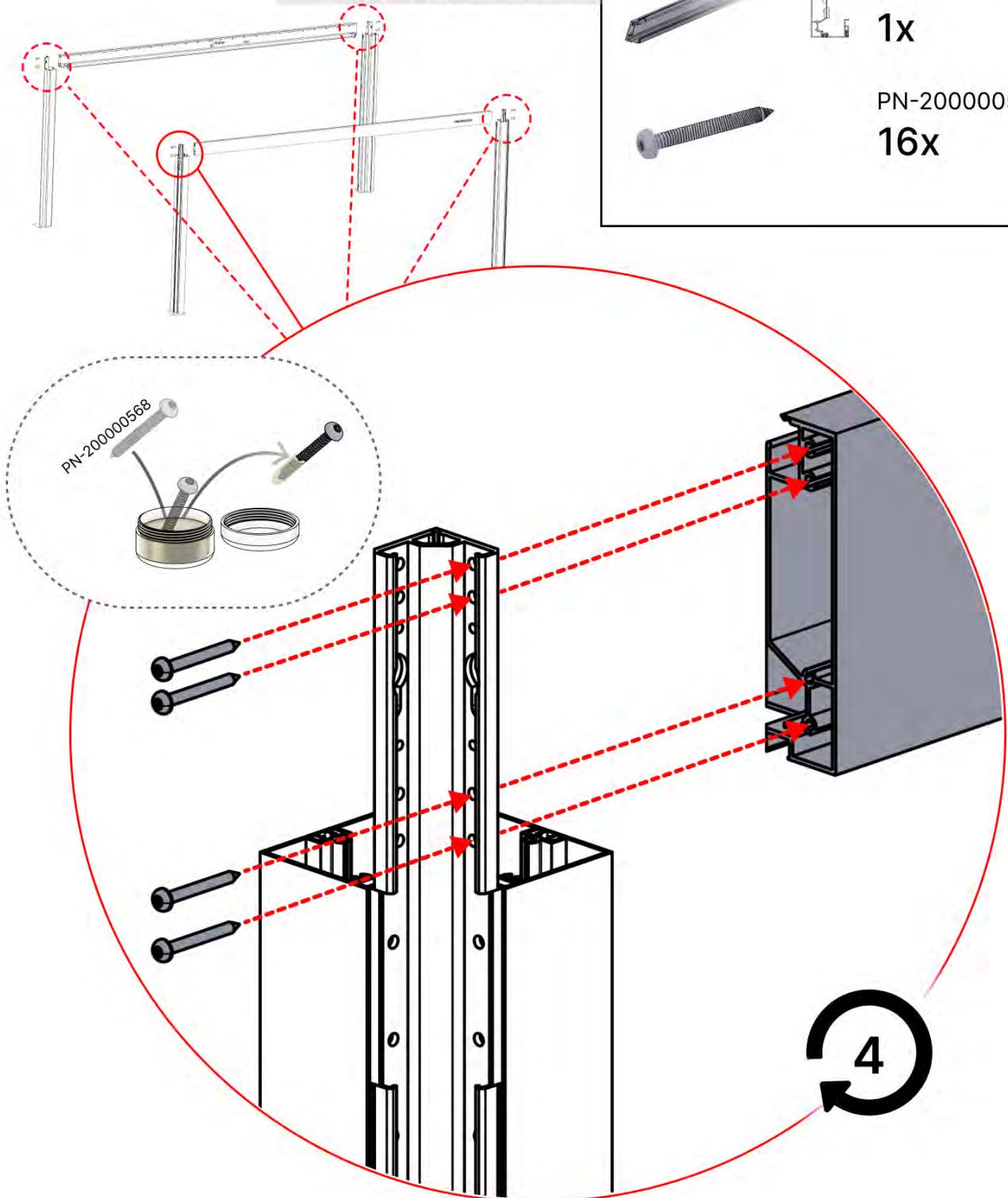
ANTHRACITE: B234  
WHITE: B242  
BLACK: B238

PN-200002606  
**4x**

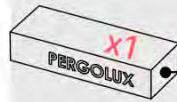
PN-200003354  
**1x**

PN-200002860  
**1x**

PN-200000568  
**16x**

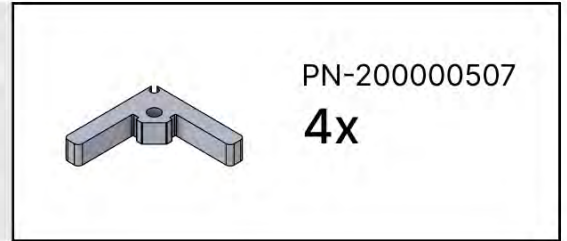


# 06



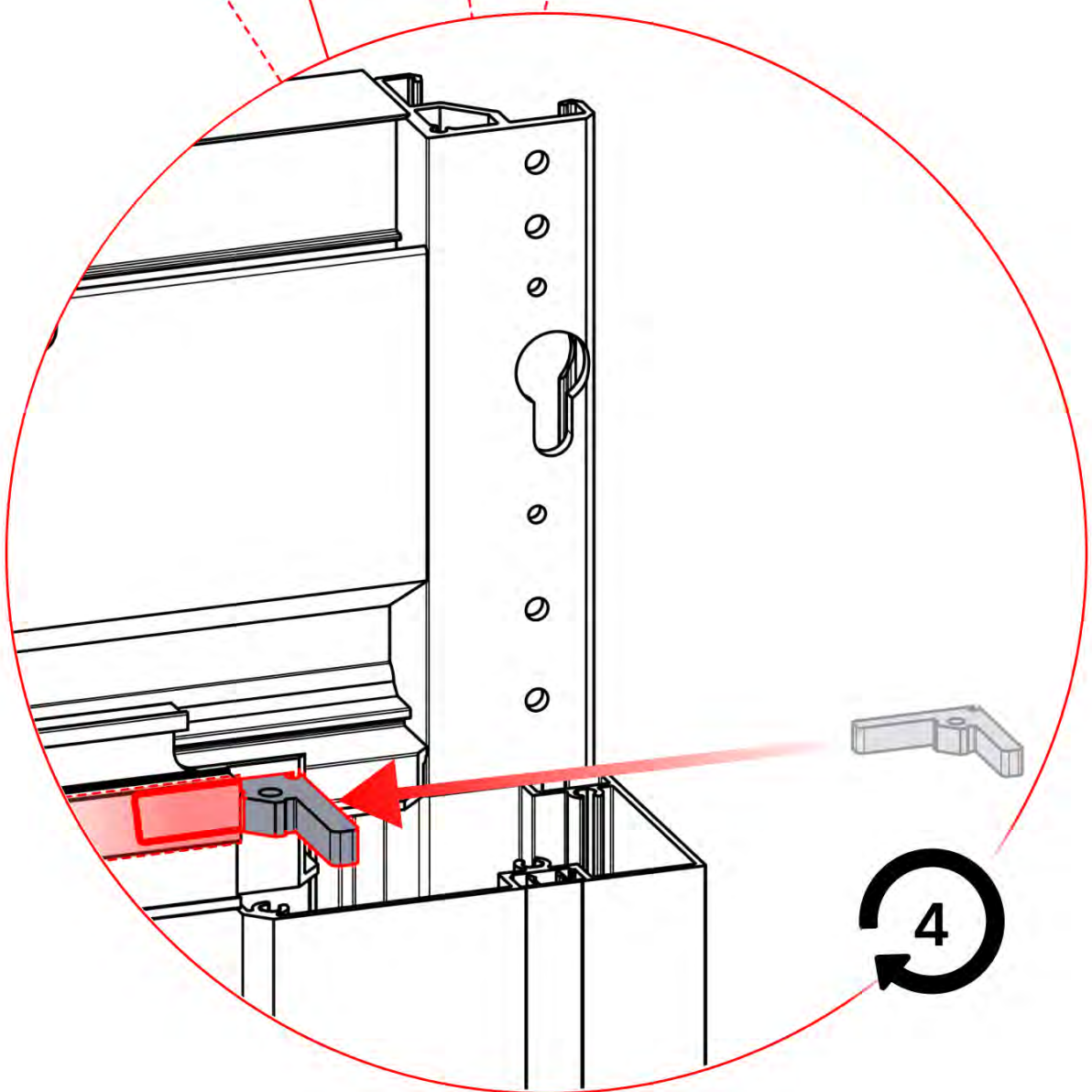
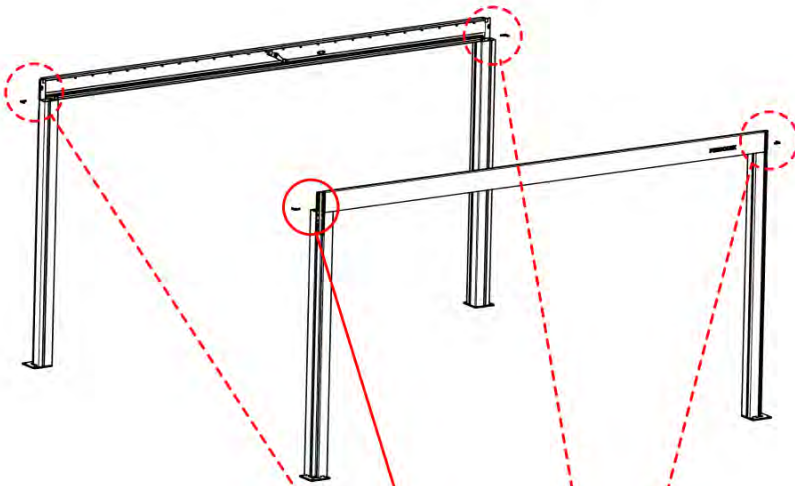
4

ANTHRACITE: B234  
WHITE: B242  
BLACK: B238

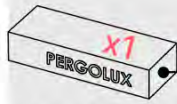


PN-200000507

4x

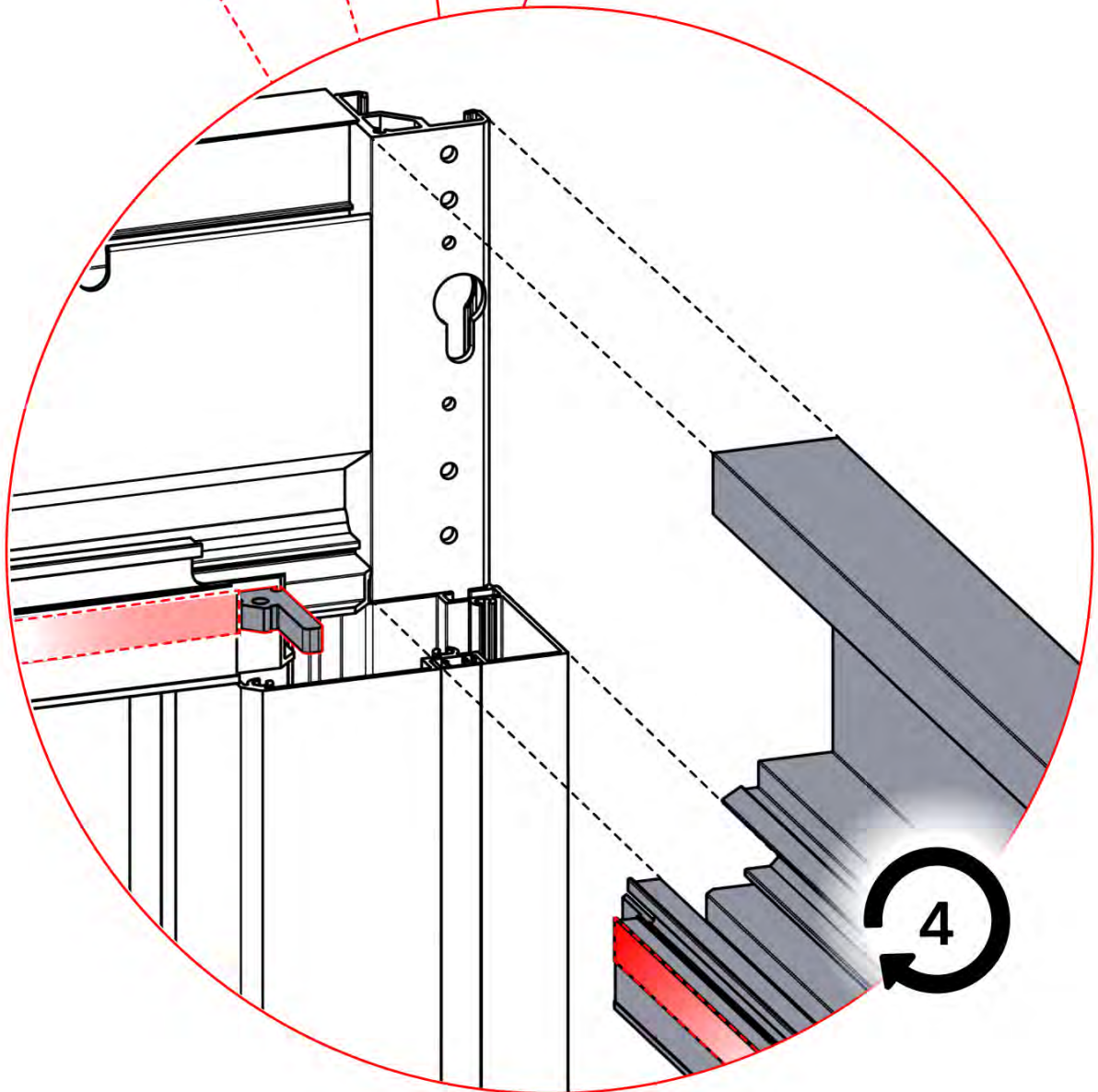
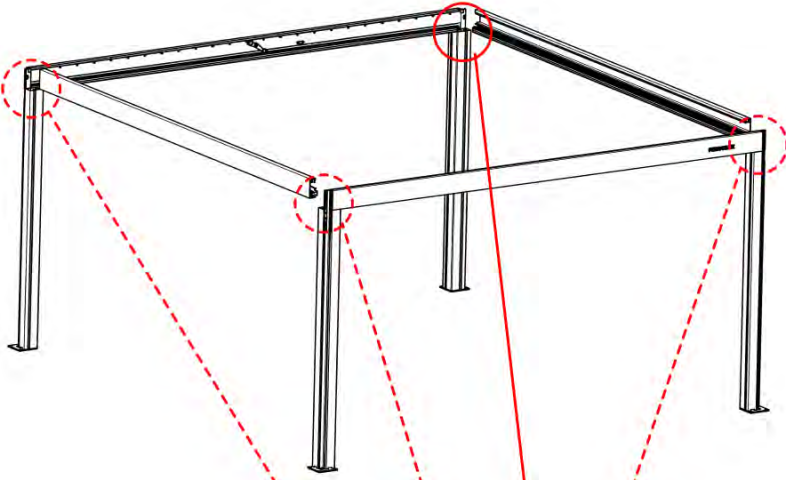
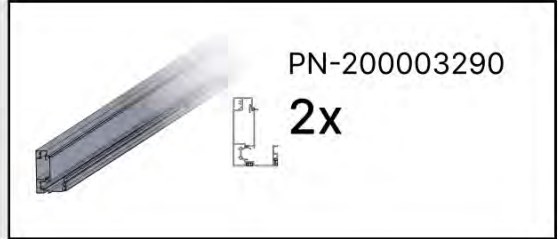


# 07

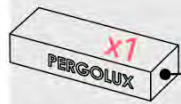


5

ANTHRACITE: B256  
WHITE: B260  
BLACK: B258

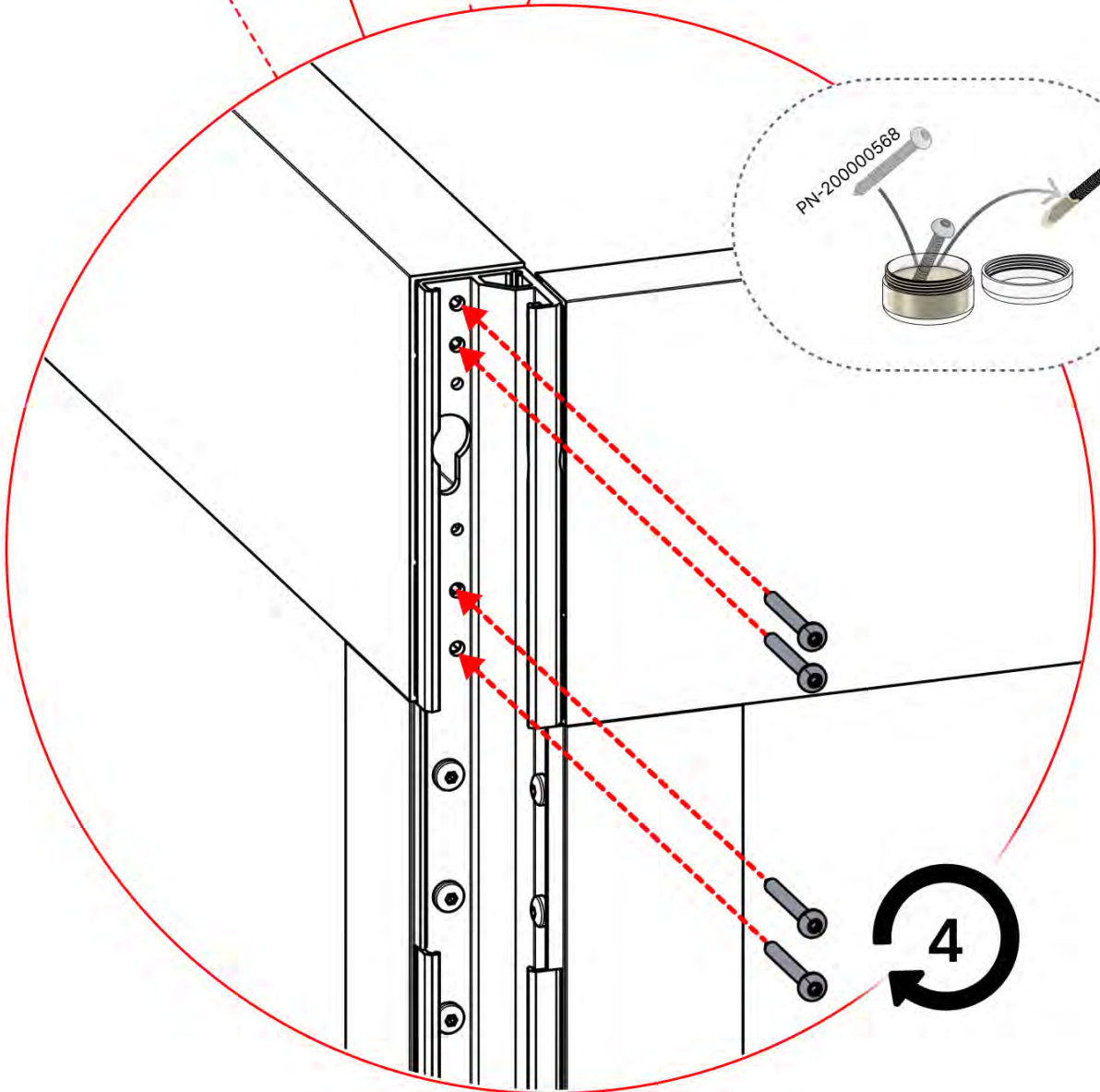
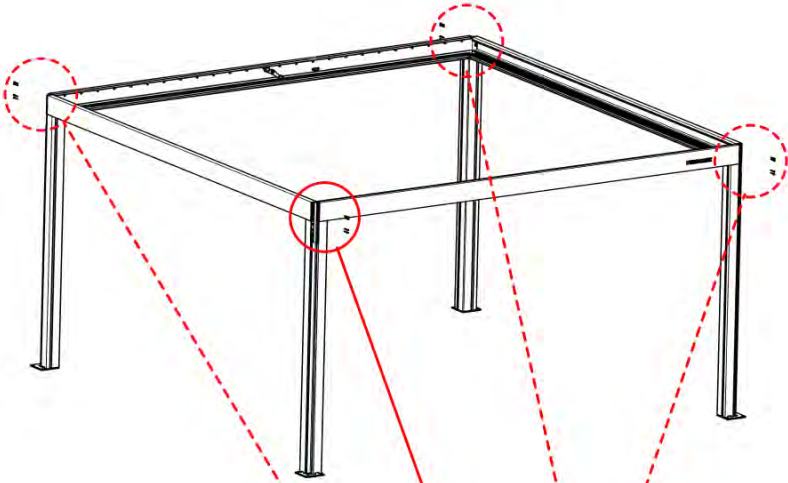


# 08



4

ANTHRACITE: B234  
WHITE: B242  
BLACK: B238



# 09



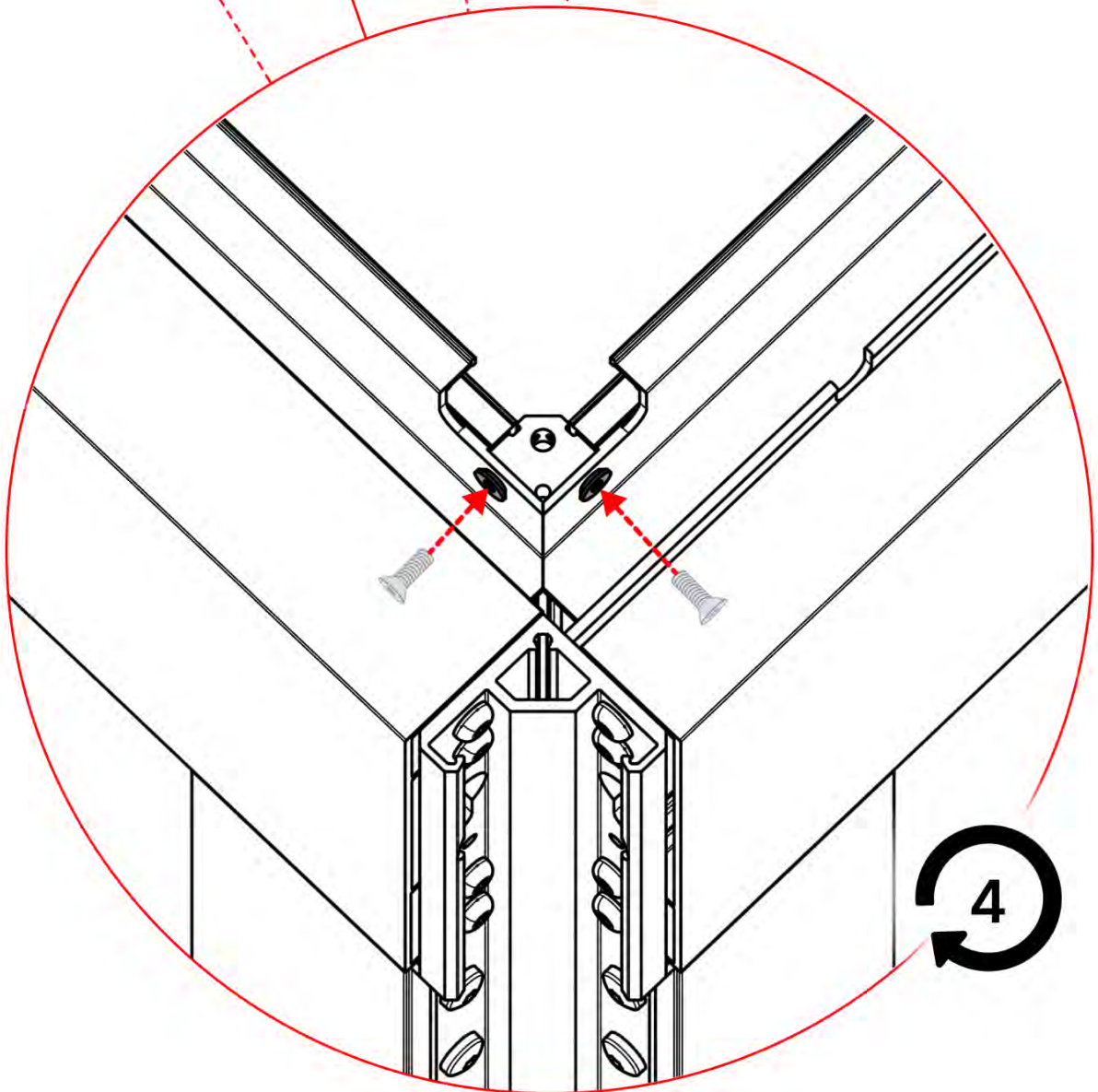
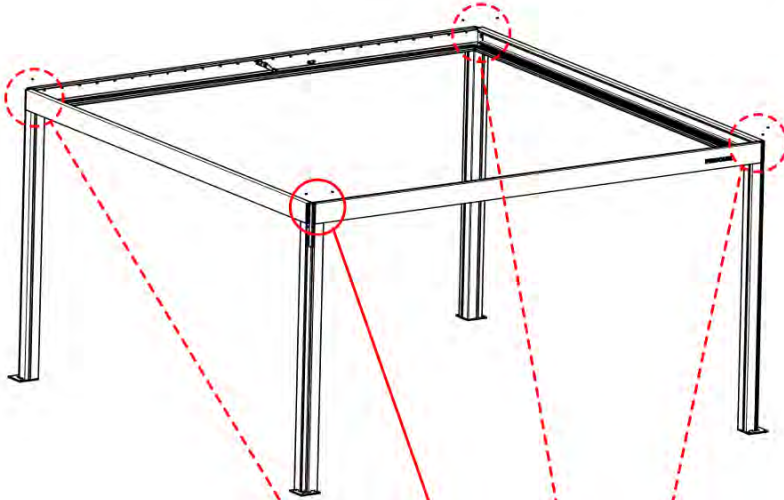
4

ANTHRACITE: B234  
WHITE: B242  
BLACK: B238



PN-200000569

8x



4

# 10



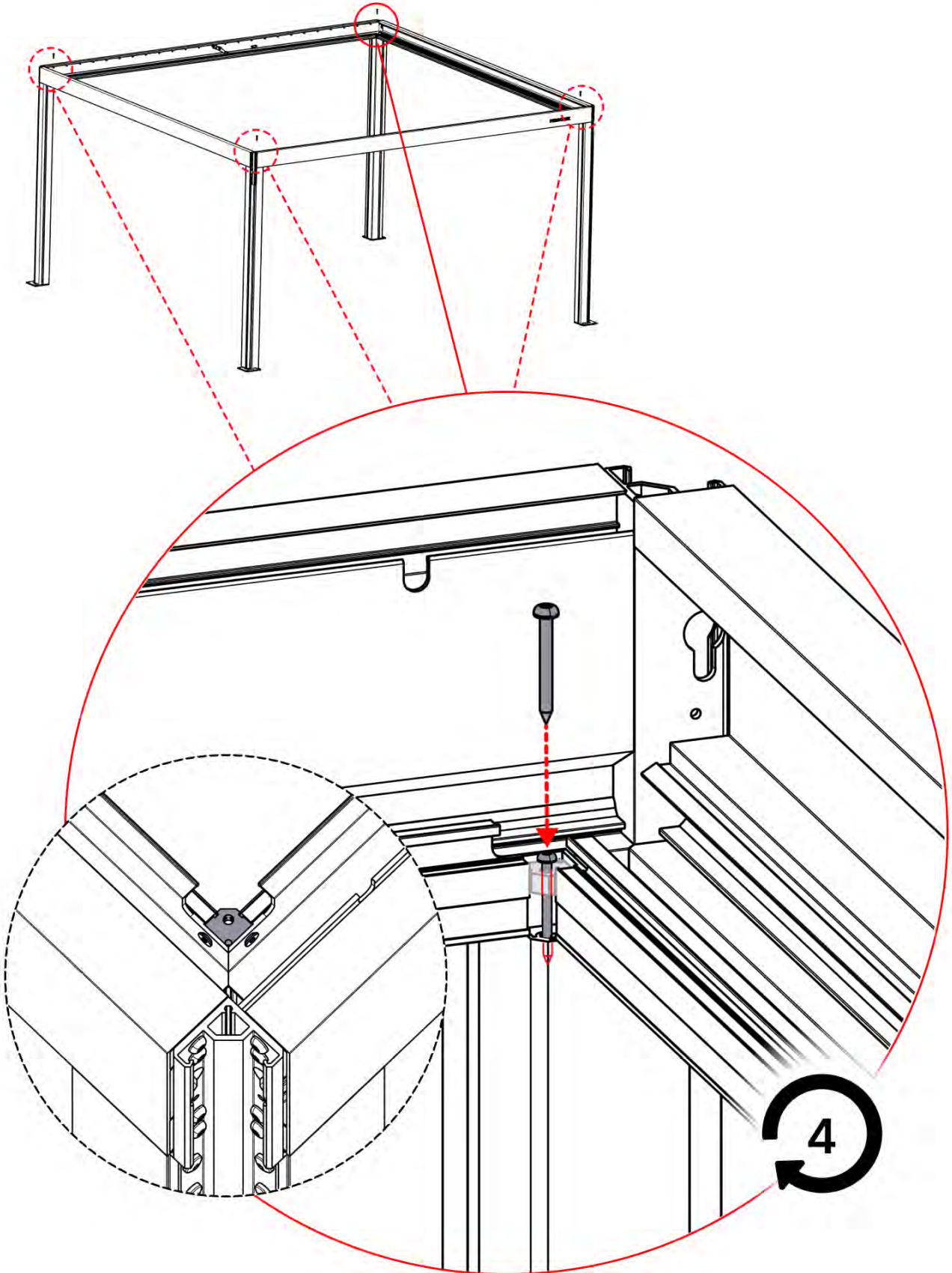
4

ANTHRACITE: B234  
WHITE: B242  
BLACK: B238



PN-200000960

4x

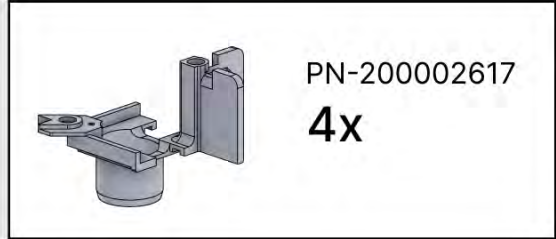


# 11



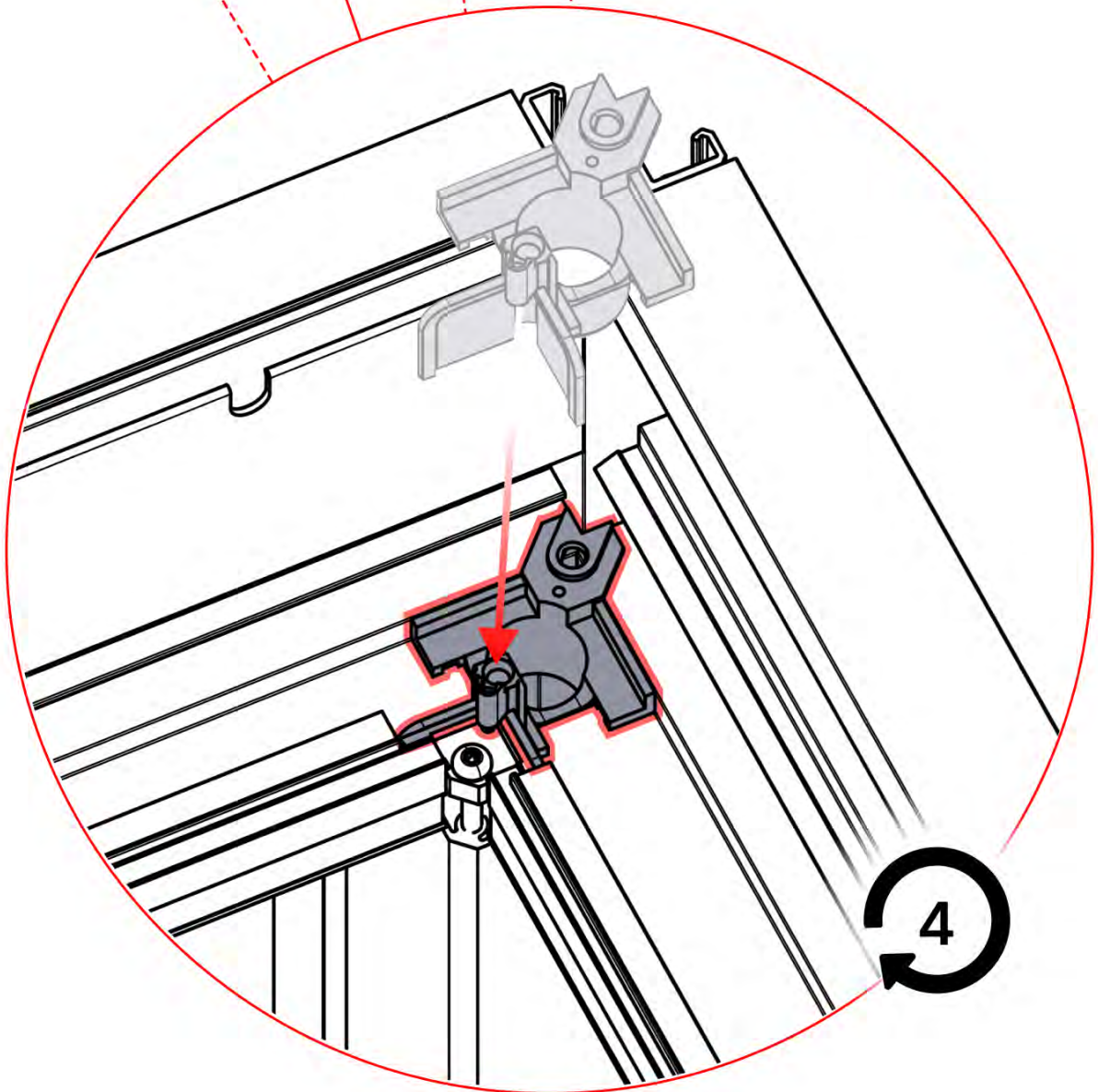
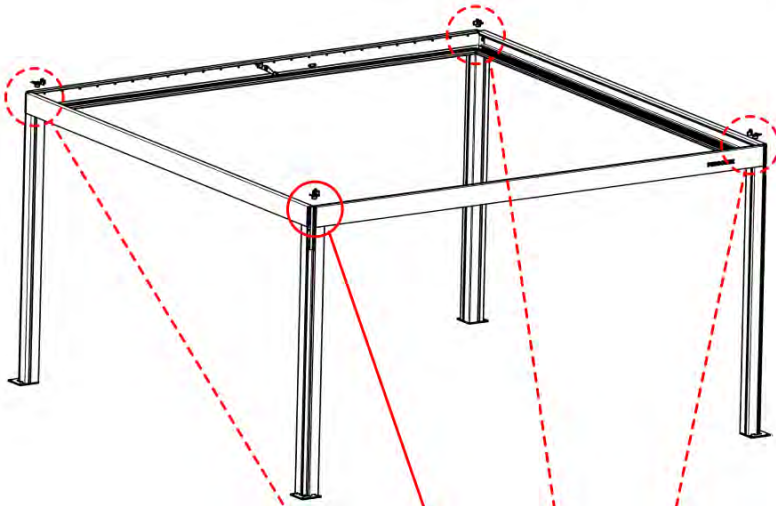
4

ANTHRACITE: B234  
WHITE: B242  
BLACK: B238



PN-200002617

4x



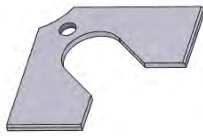
# 12

**x1**  
PERGOLUX

**4**

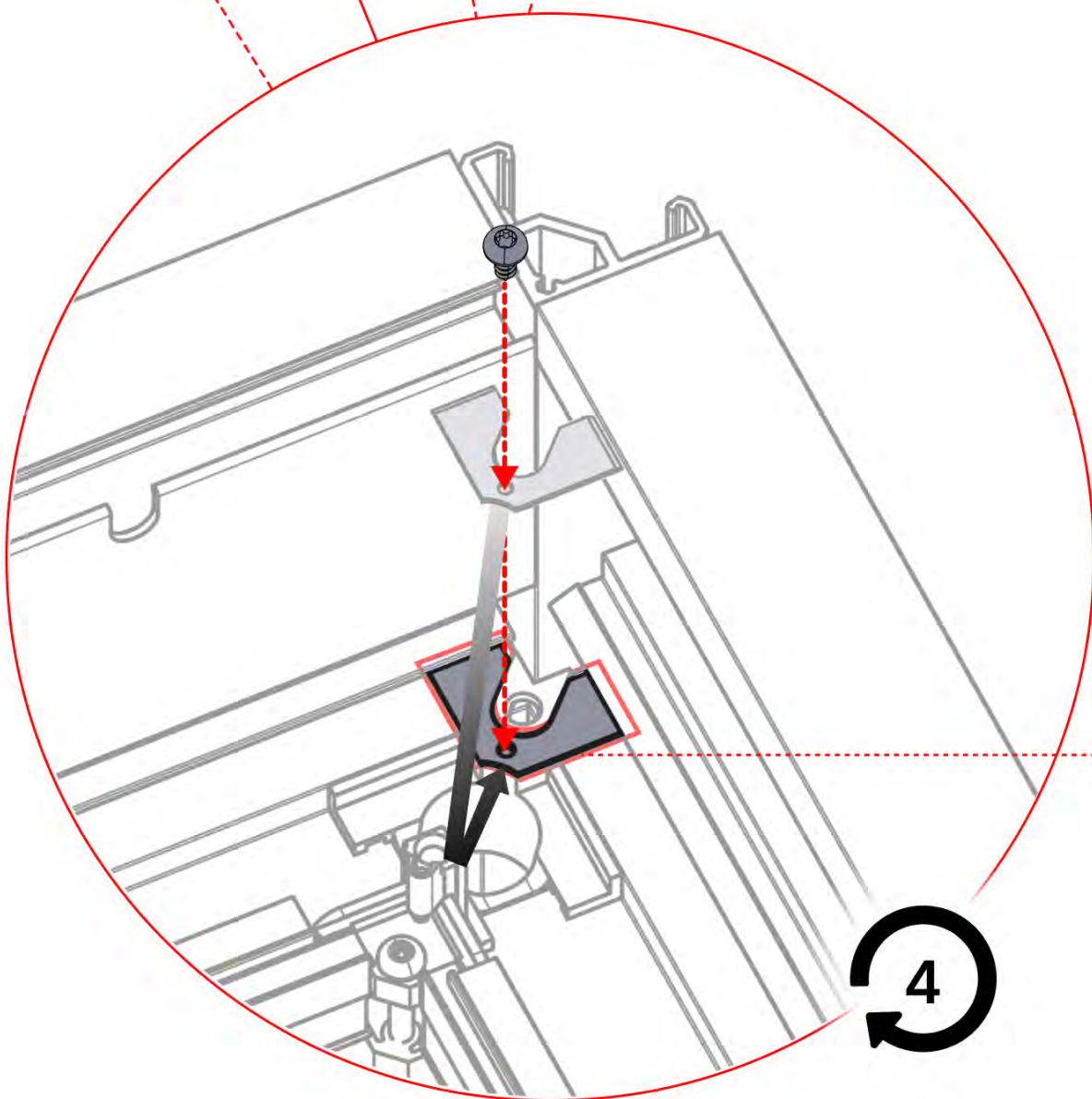
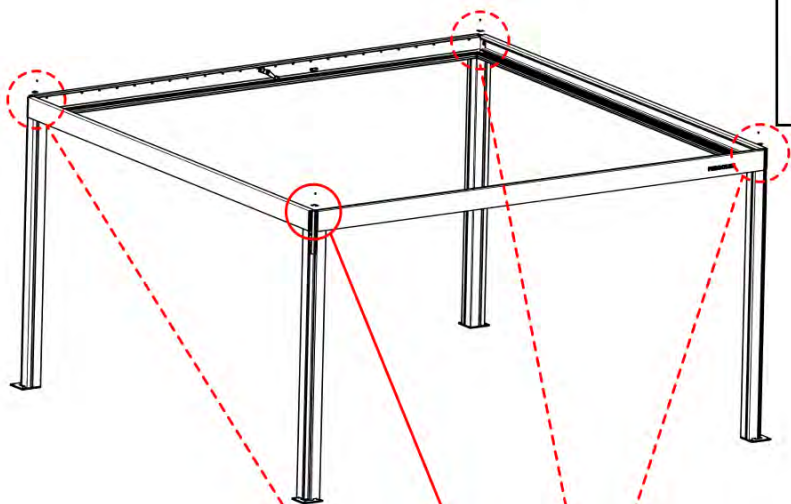

ANTHRACITE: B234  
WHITE: B242  
BLACK: B238

PN-200002618  
**4x**



PN-200000571  
**4x**

3.5x8  
6 x 5/16"

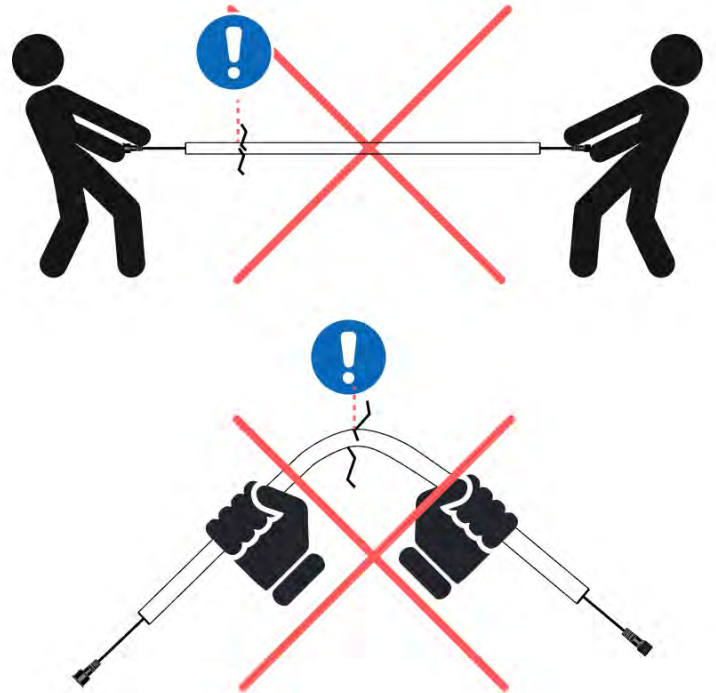


# IMPORTANT INFORMATION

---

## Handle with care.

When installing the light strip, do not pull or bend the wires on both sides with force, as this may cause the solder joints to fall off.



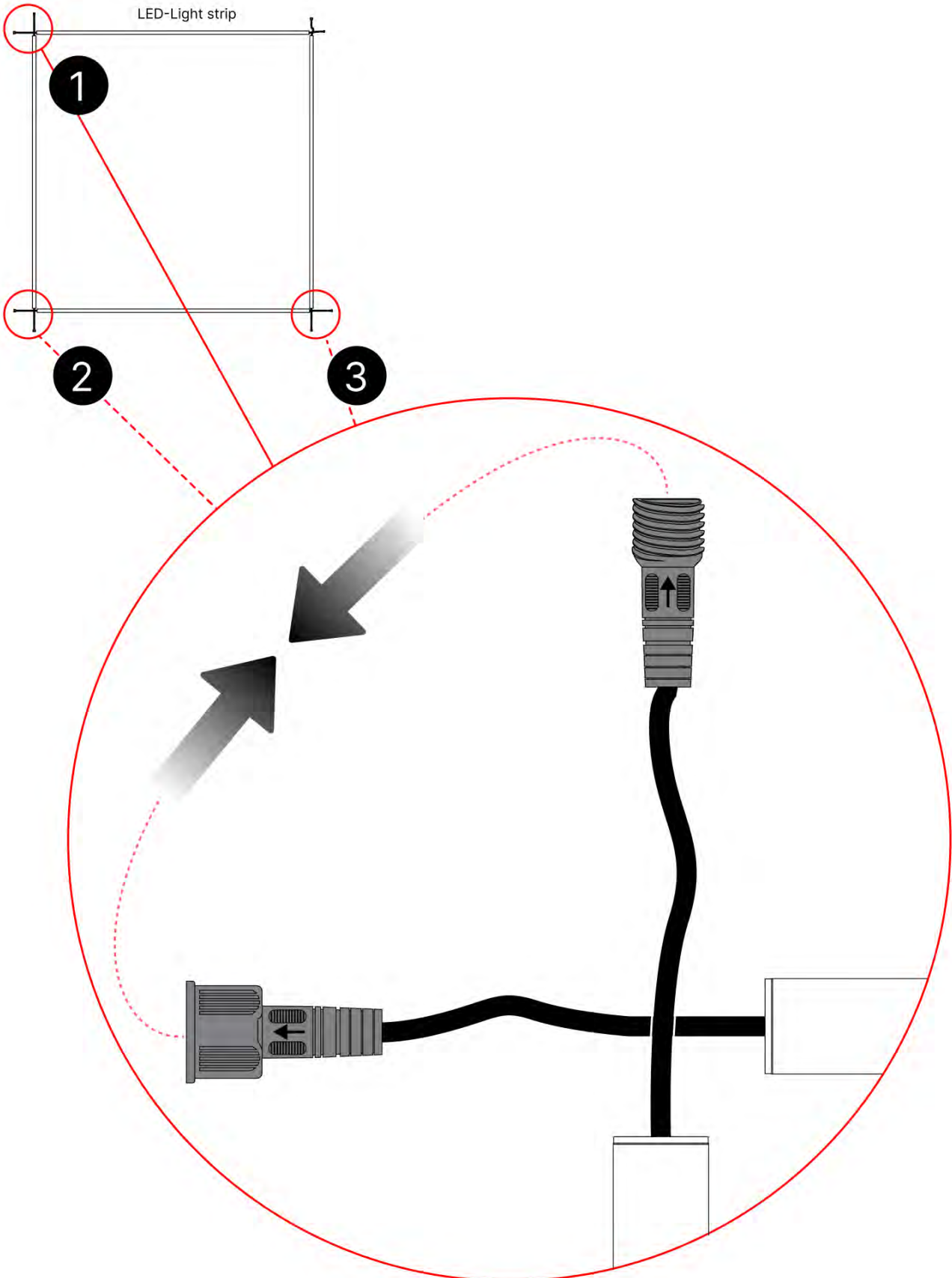
---

**Important! Please watch all the videos before starting the assembly.**

The videos contain important information relevant to the assembly process.

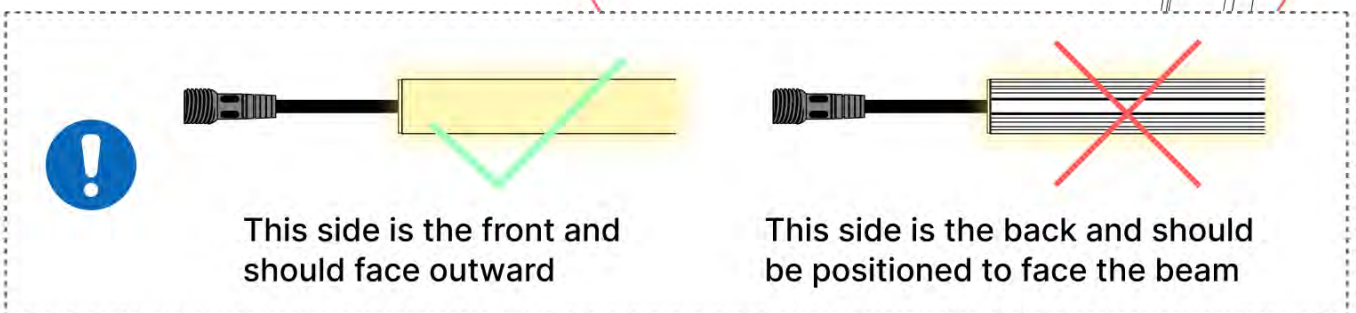
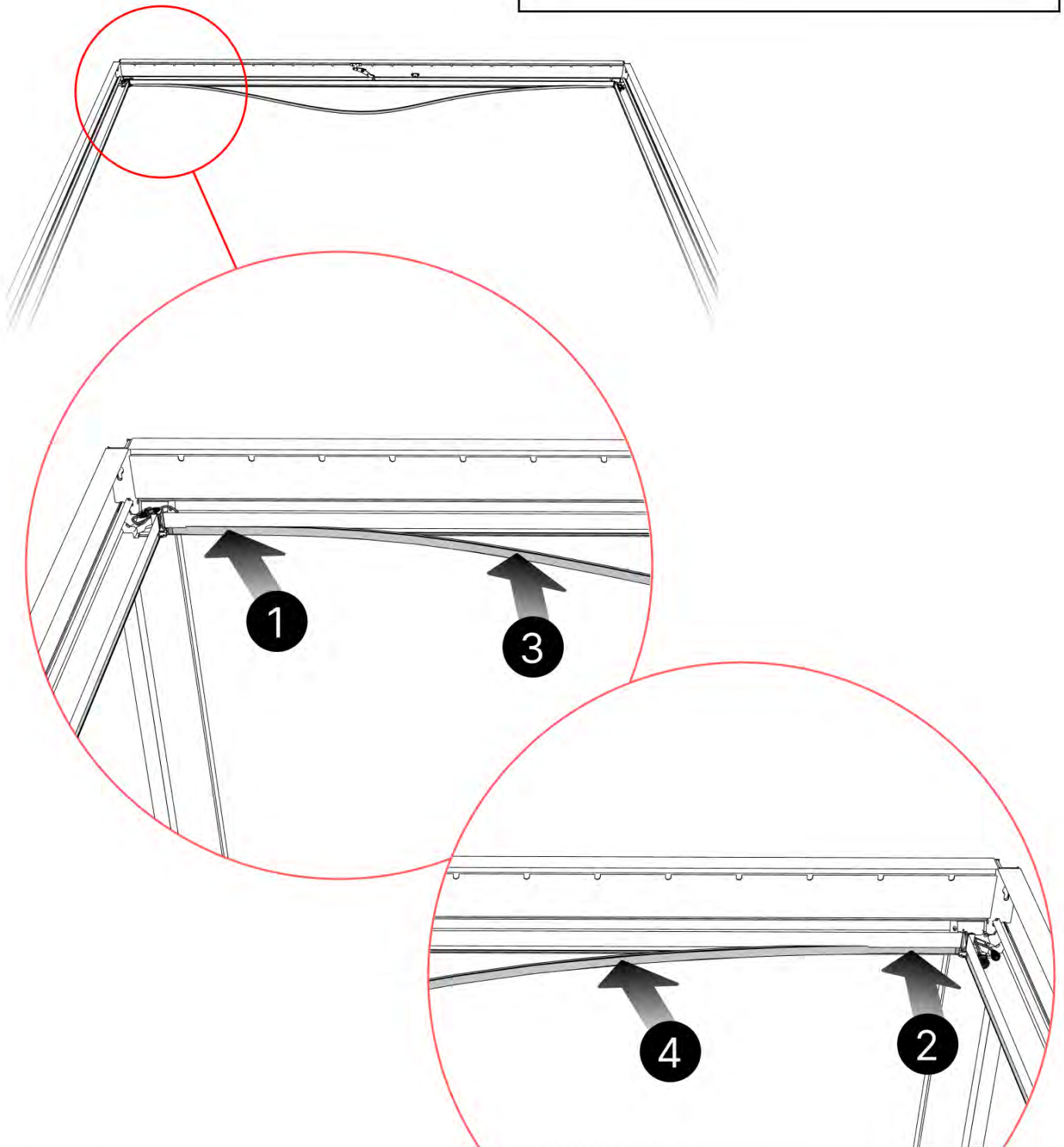
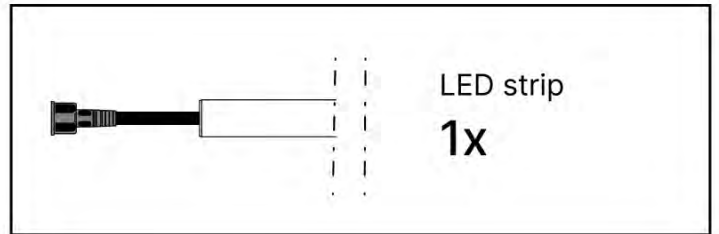


# INFORMATION

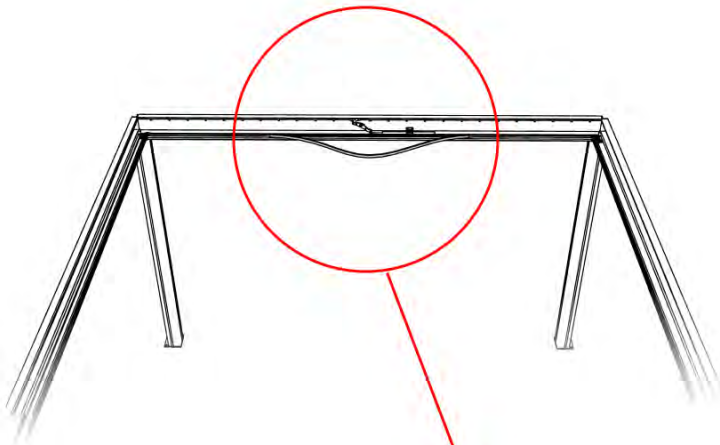




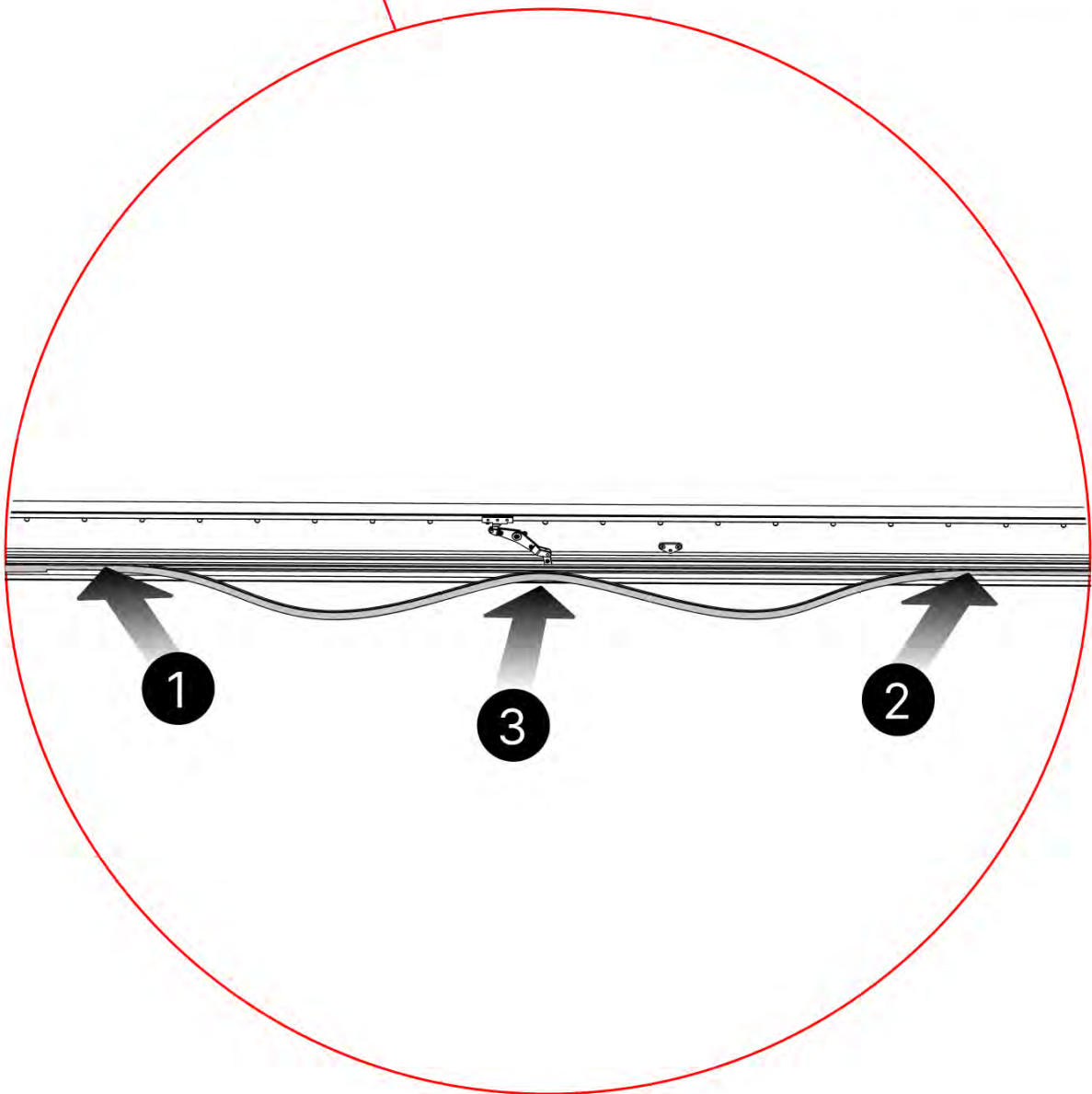
# 13



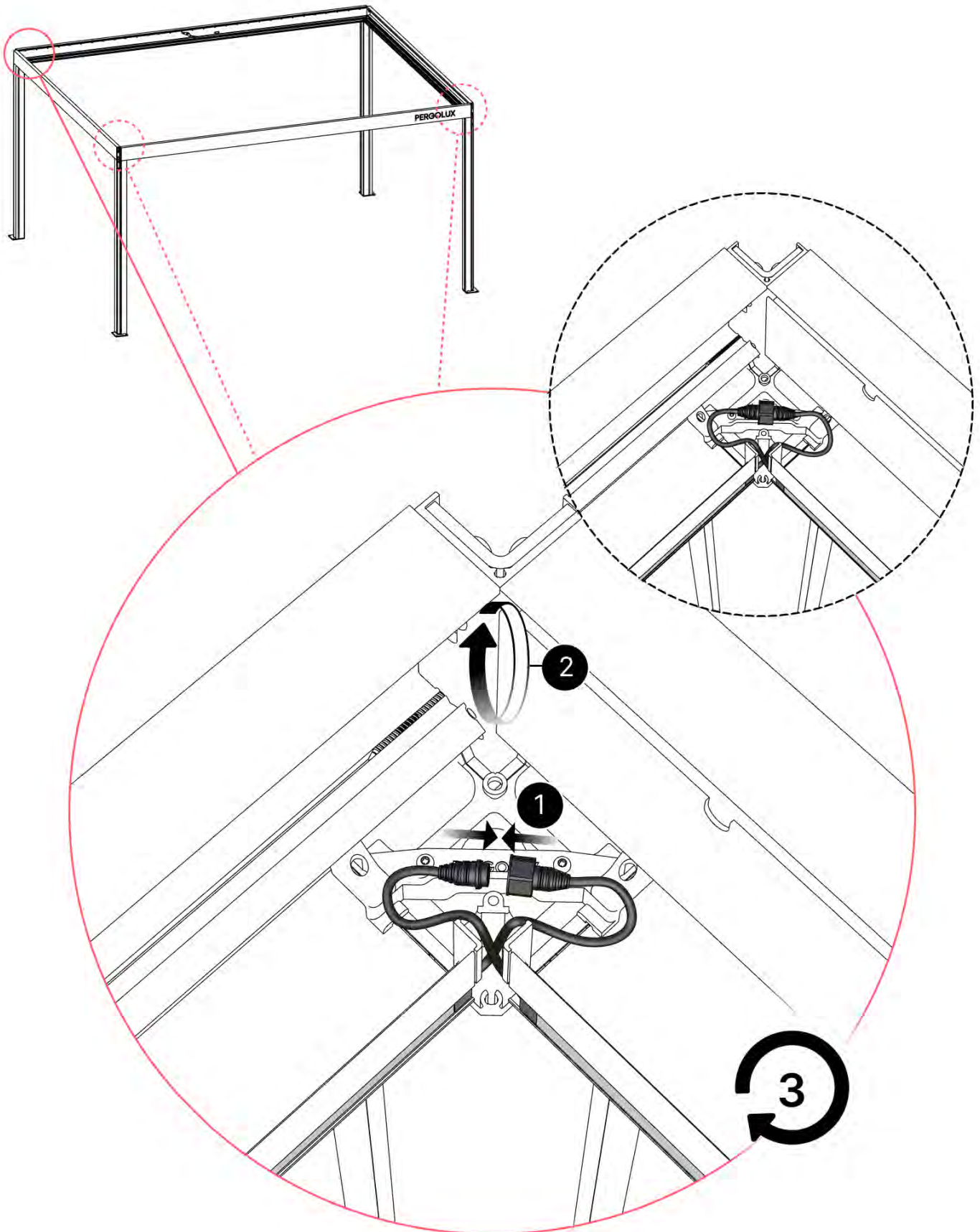
# 14



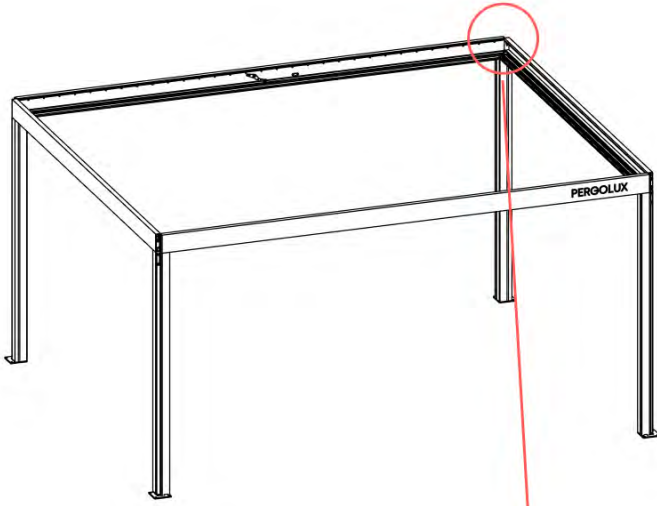
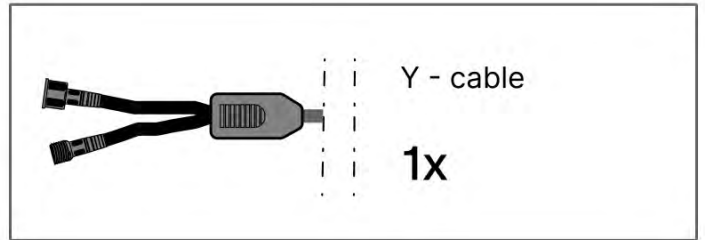
**Tip:** For a smoother LED installation, spray the track with soapy water before mounting.



# 15



# 16

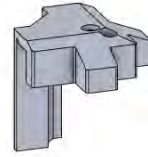


# 17



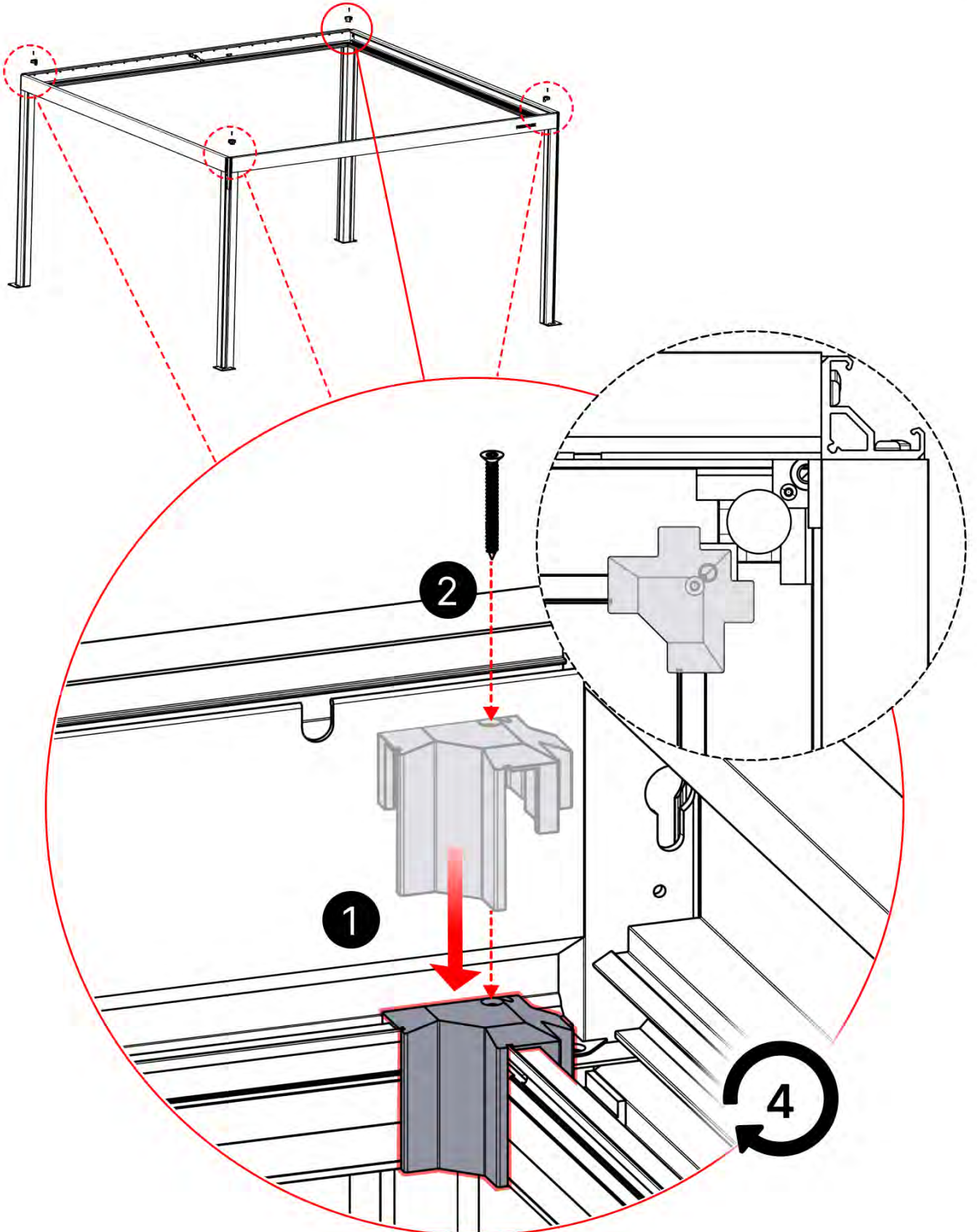
4

ANTHRACITE: B234  
WHITE: B242  
BLACK: B238

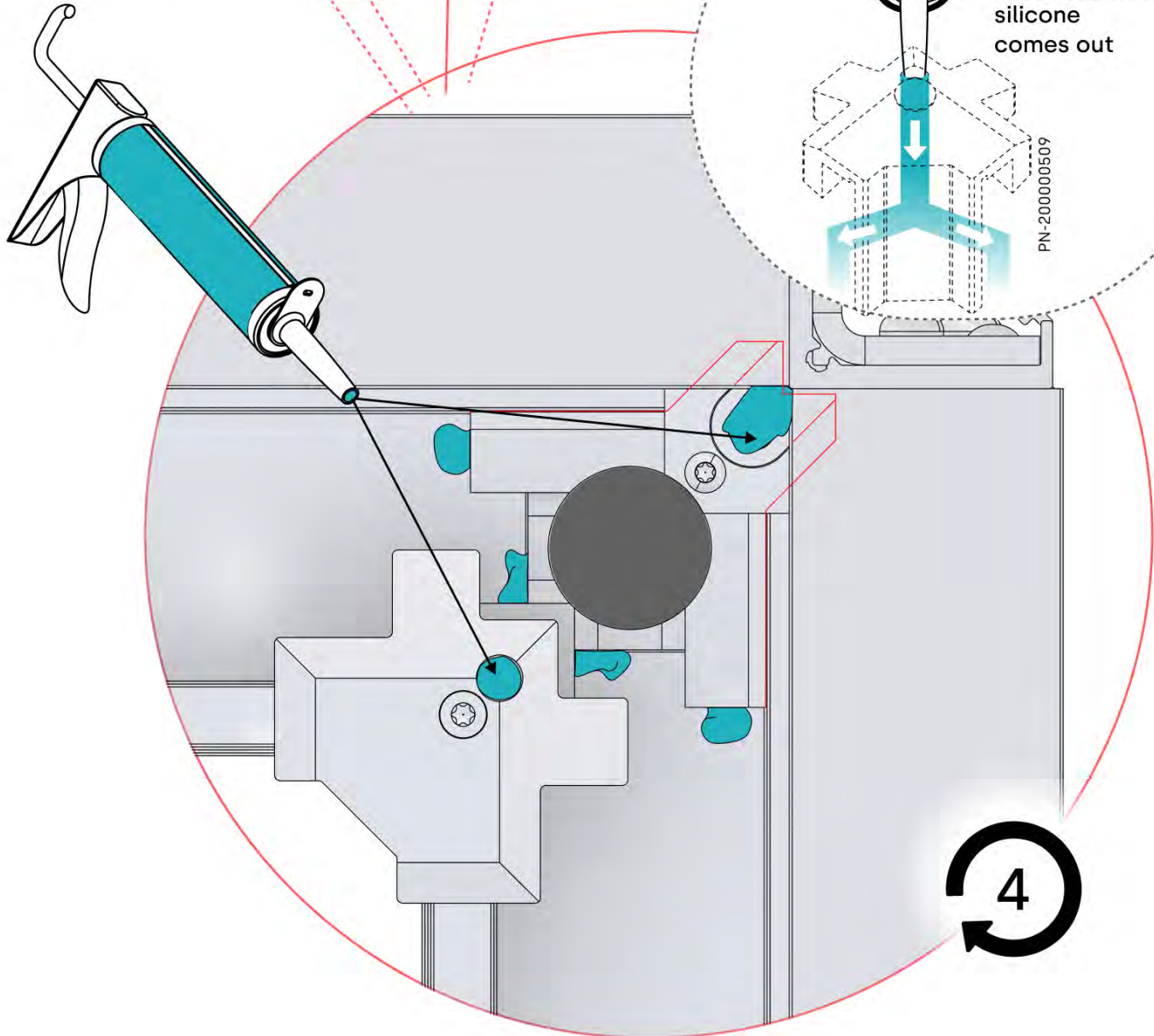
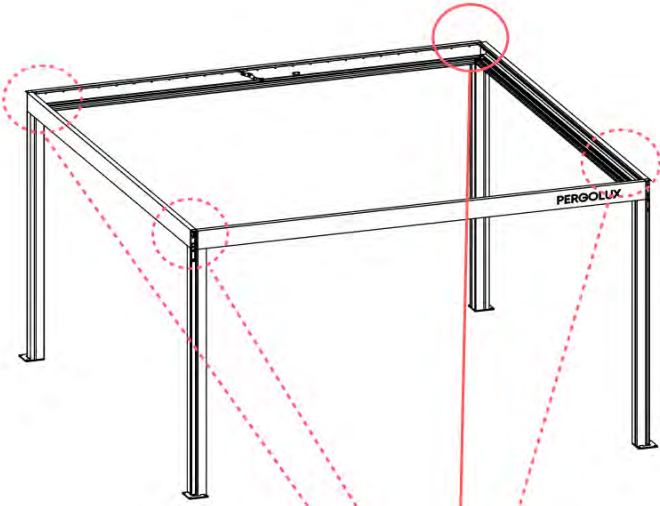


PN-200002625

4x

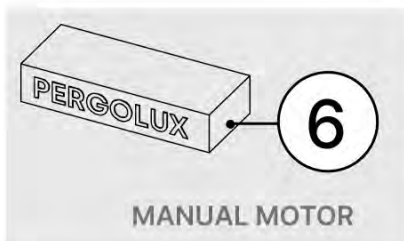


# 18



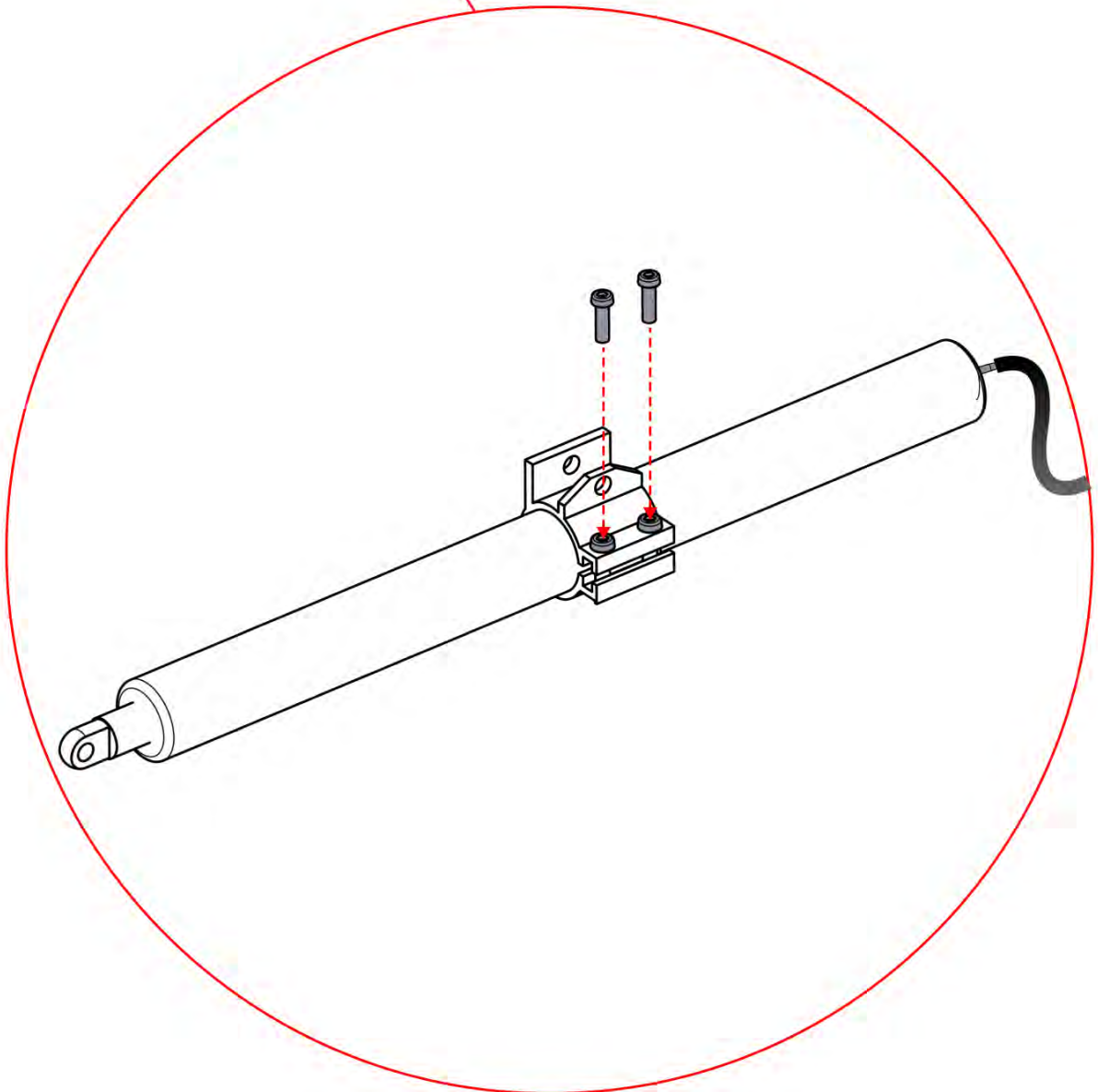
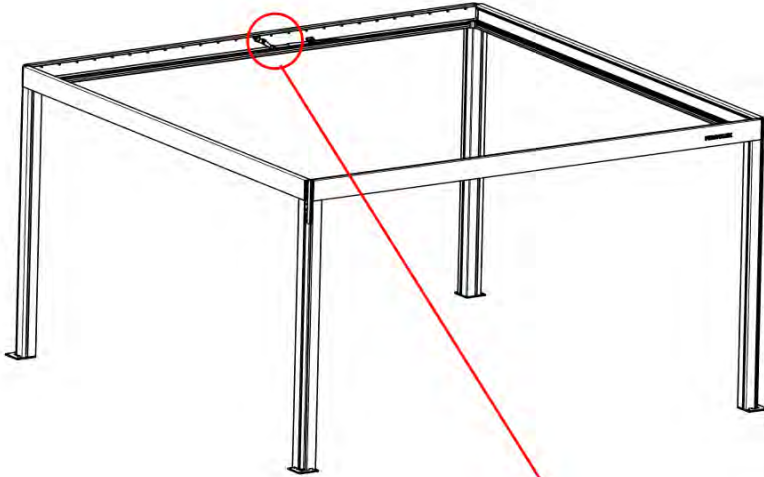
4

# 19

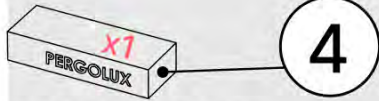


# 20

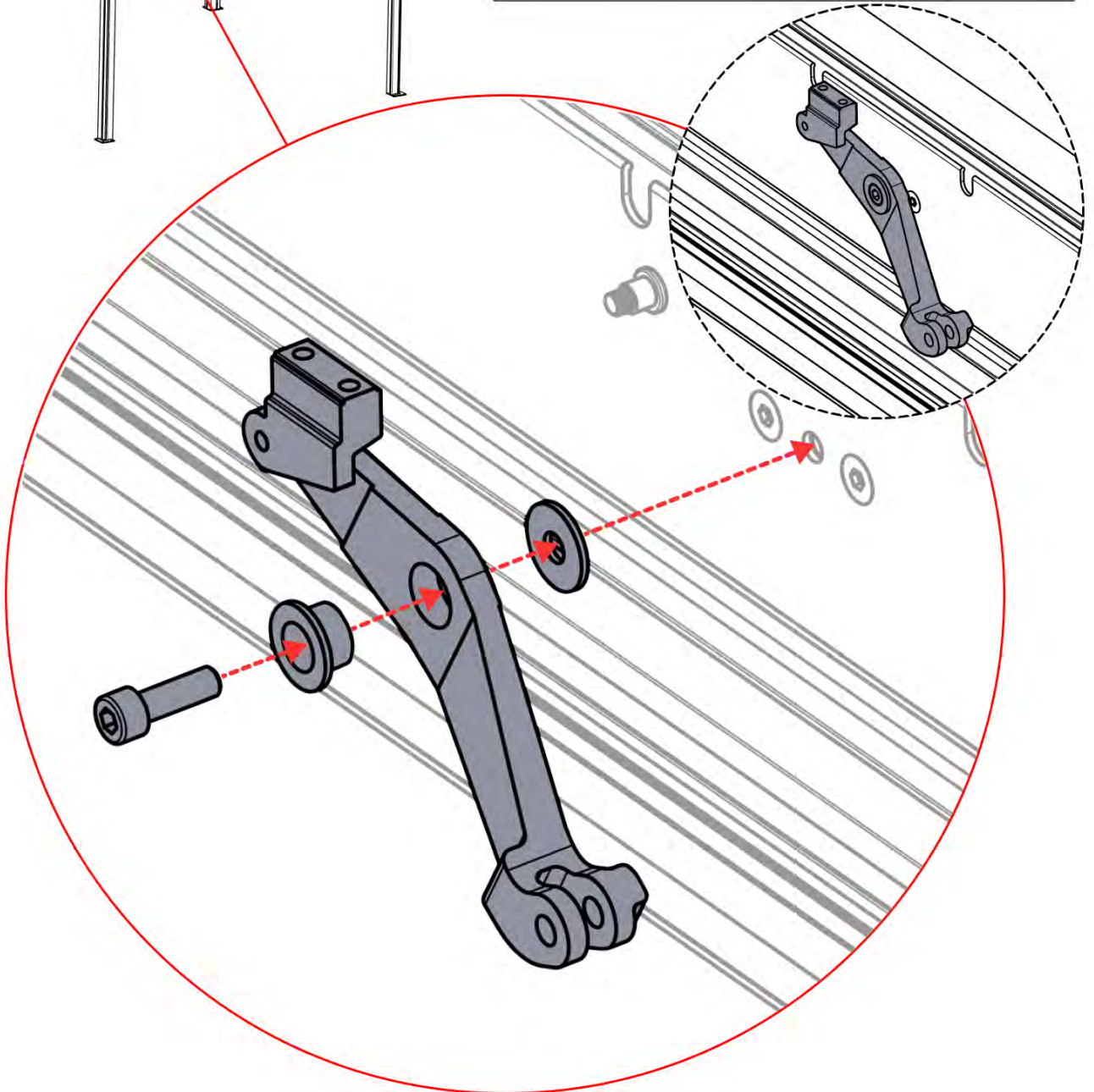
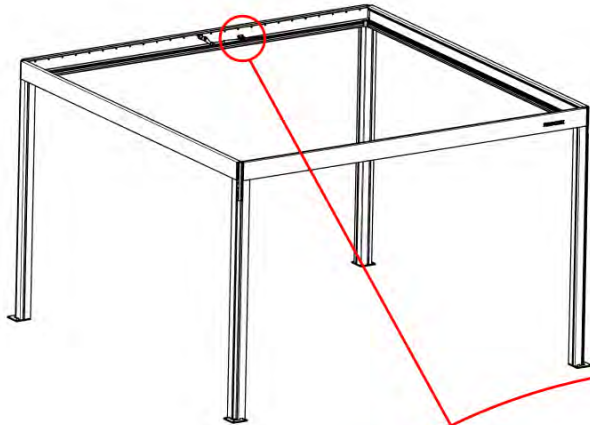
			PN-200001625 2x
ANTHRACITE: B234 WHITE: B242 BLACK: B238			



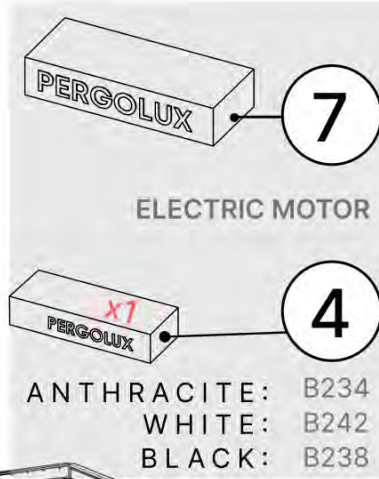
# 21




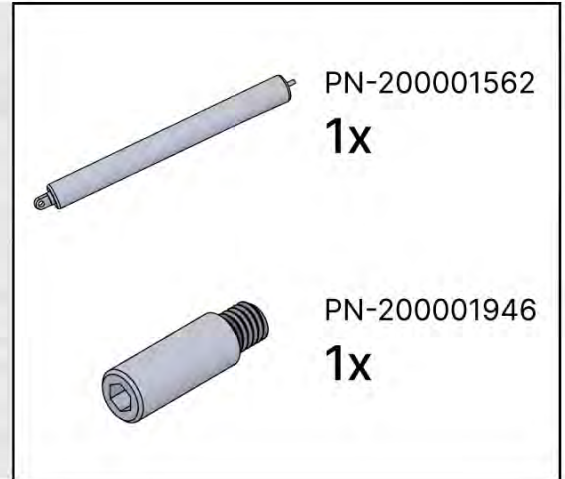
ANTHRACITE: B233  
WHITE: B241  
BLACK: B237




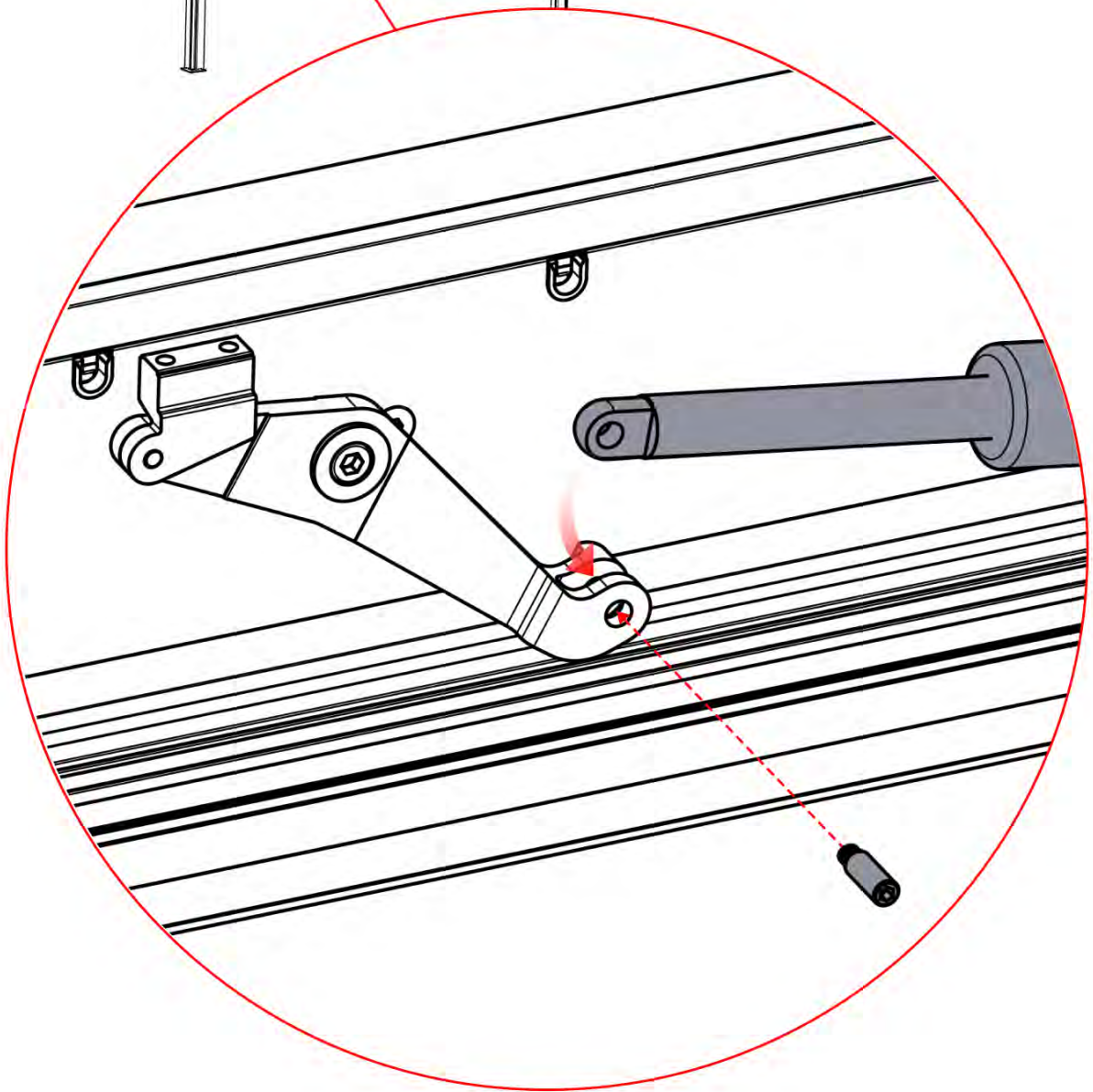
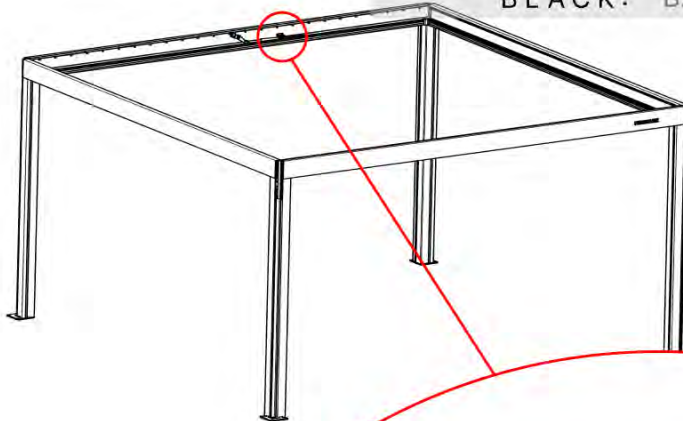
# 22

 **7**  
ELECTRIC MOTOR

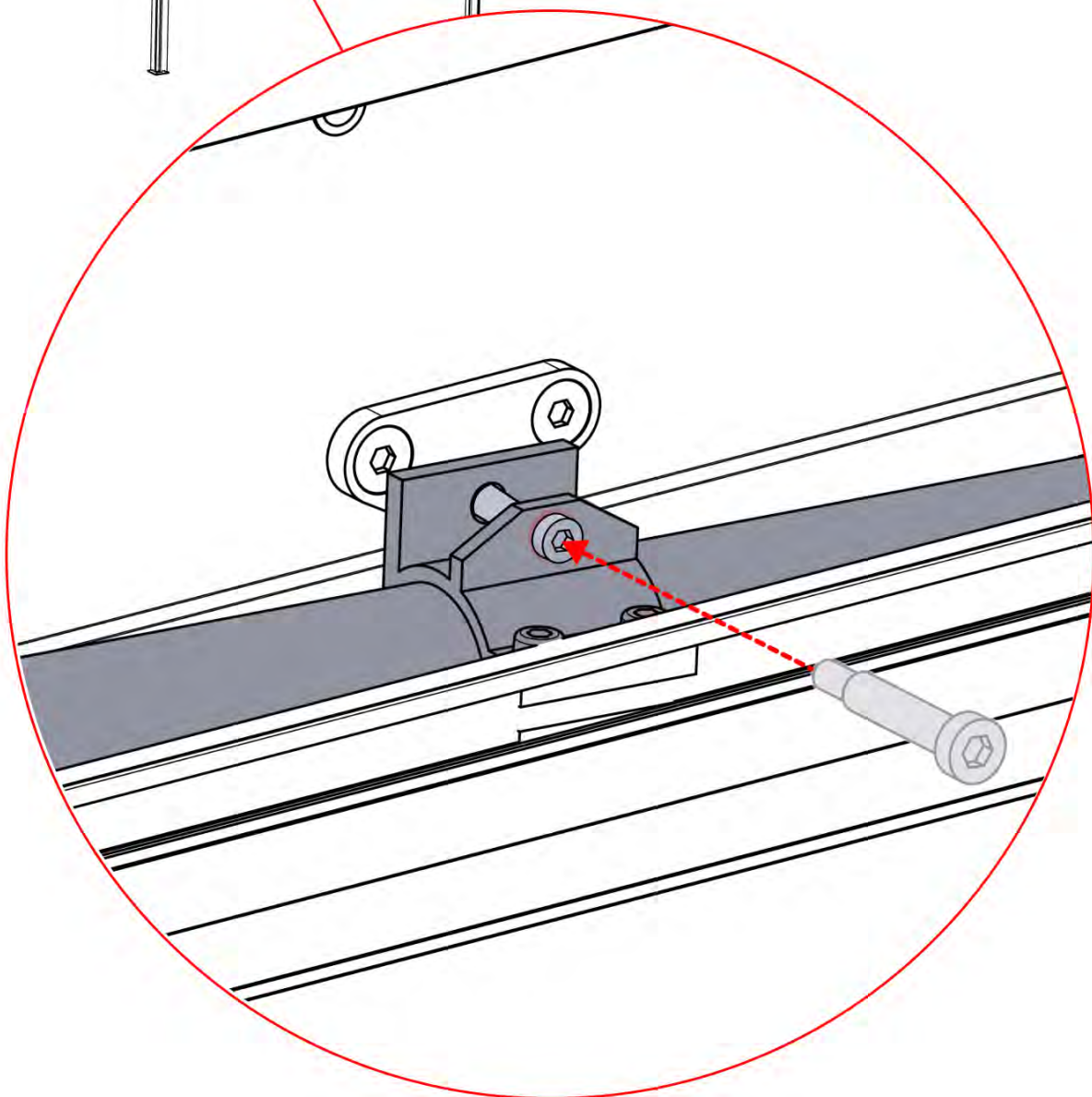
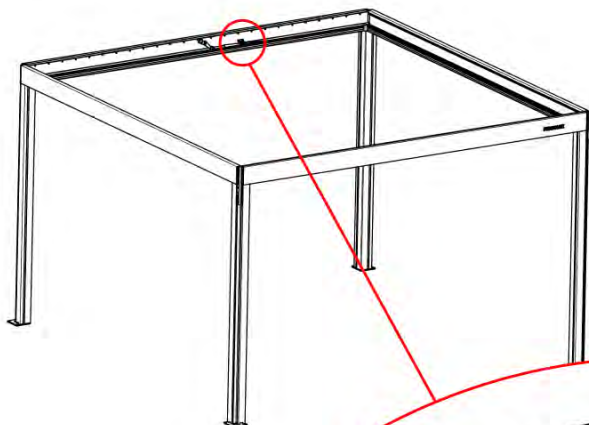
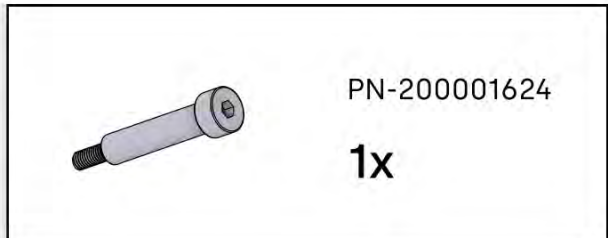
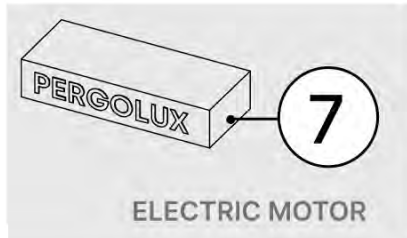
 **4**  
ANTHRACITE: B234  
WHITE: B242  
BLACK: B238

 PN-200001562  
**1x**

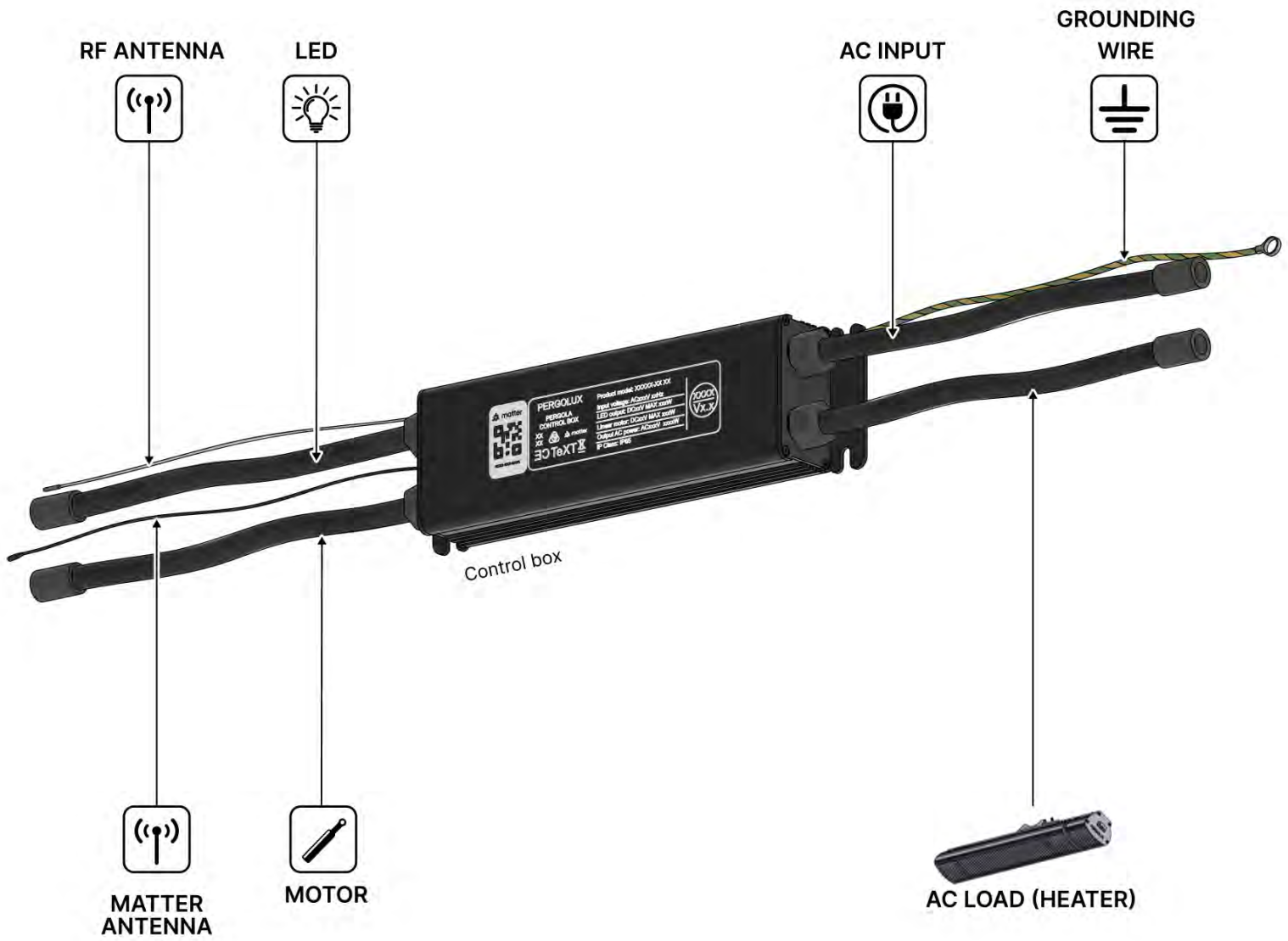
 PN-200001946  
**1x**



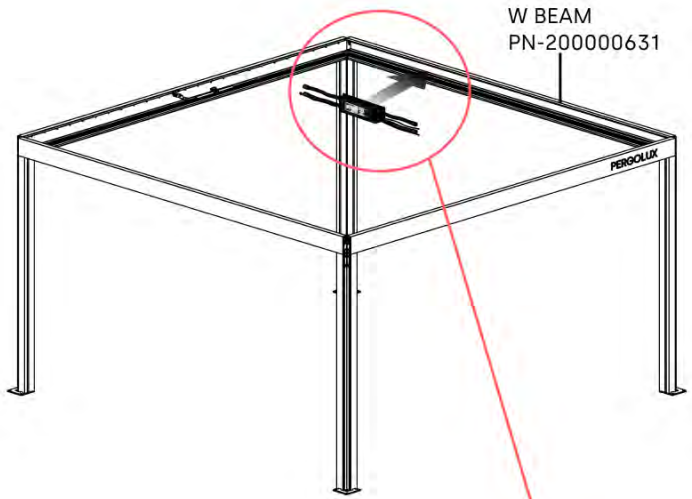
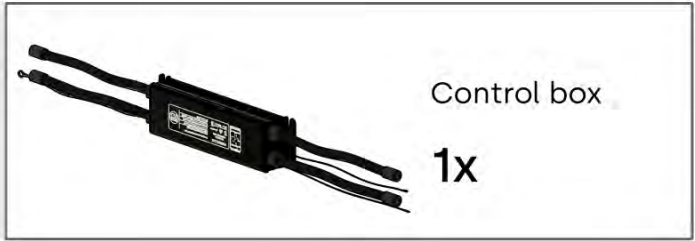
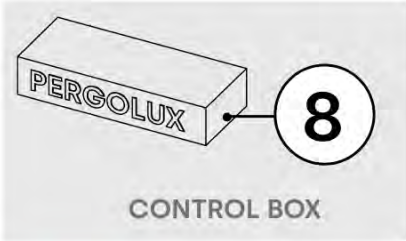
# 23



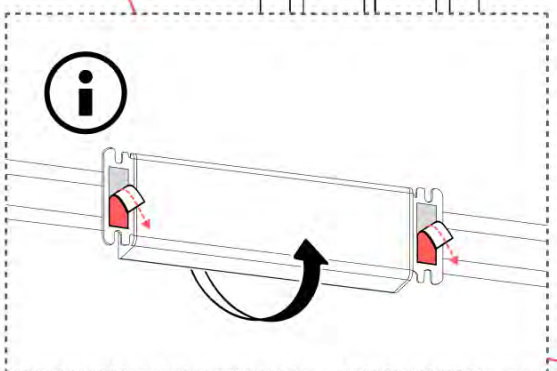
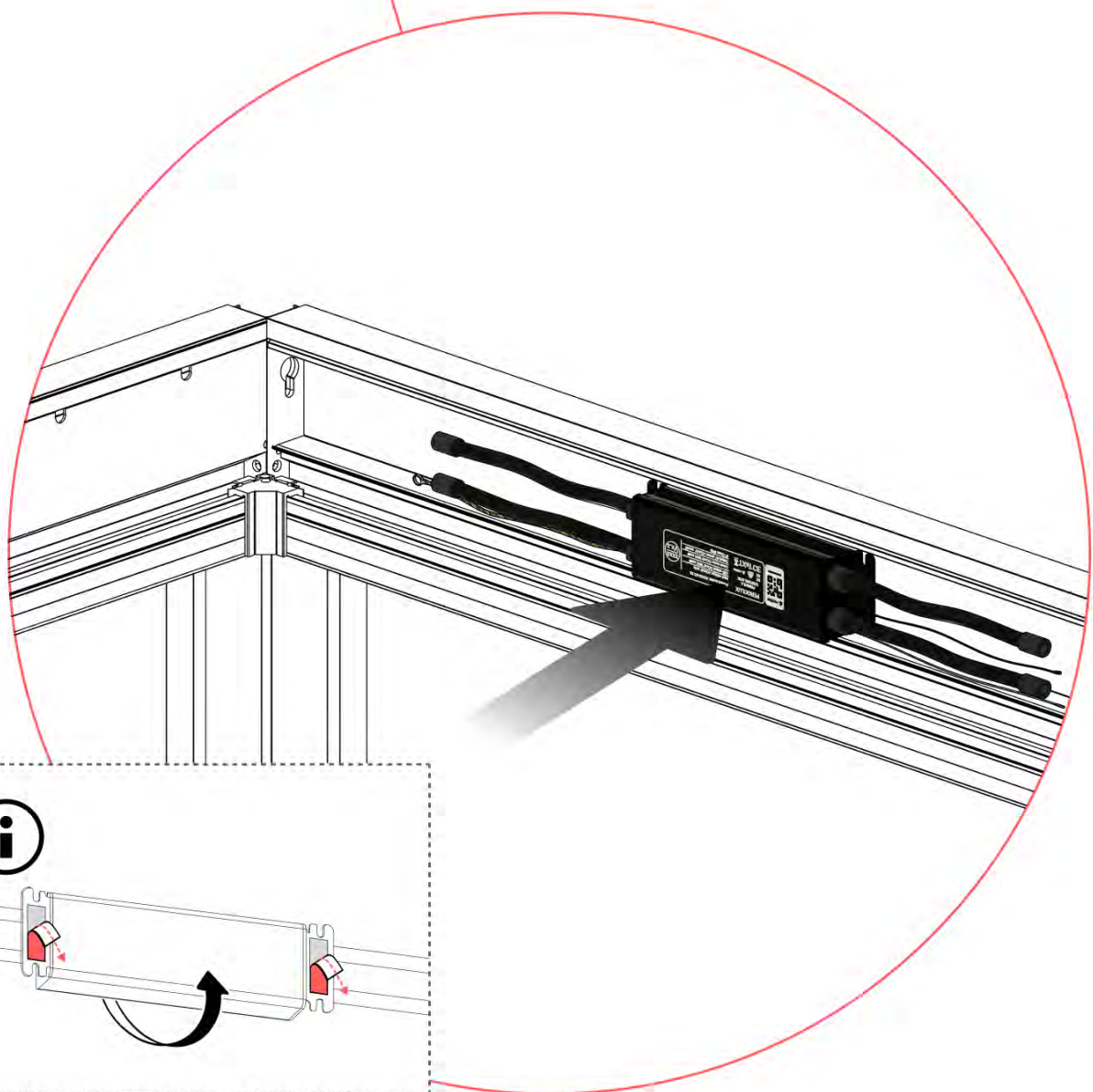
# INPUTS AND OUTPUTS



# 24



**!**  
Control Box can be installed on Preferred W BEAM



# 25



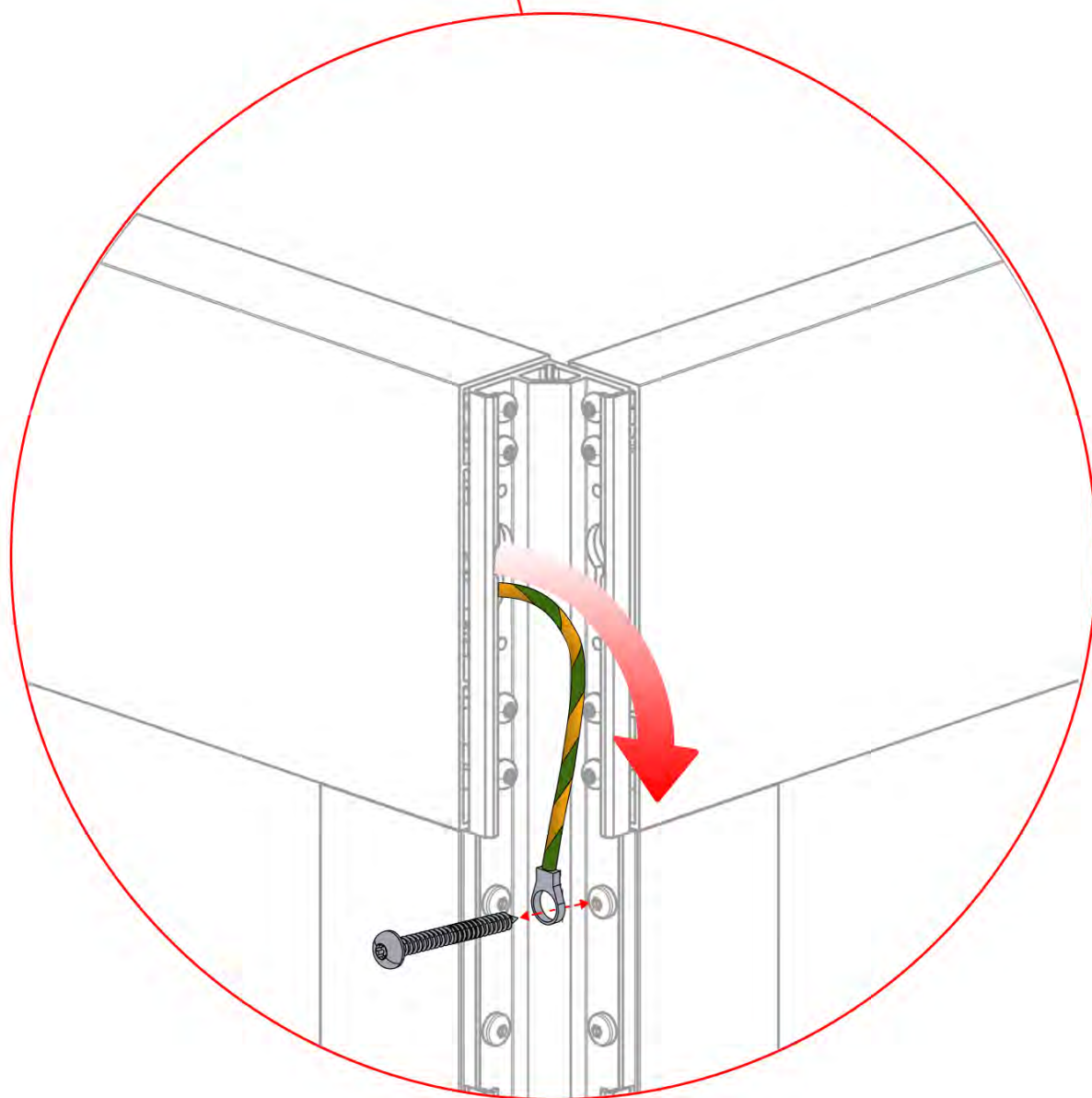
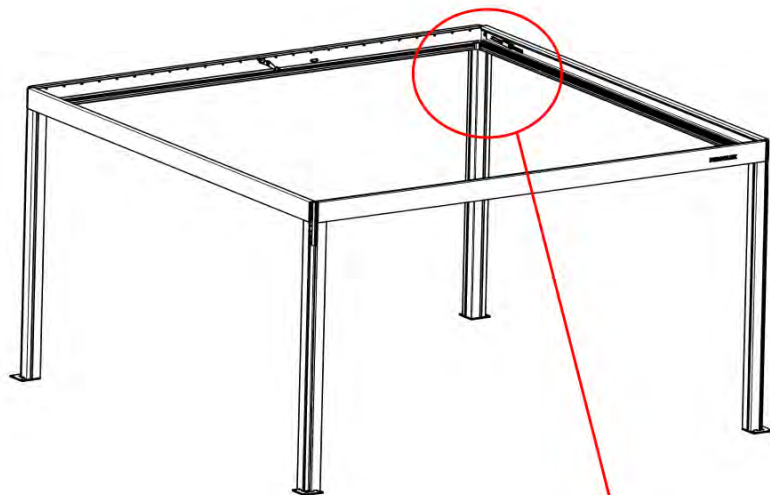
4

ANTHRACITE: B234  
WHITE: B242  
BLACK: B238

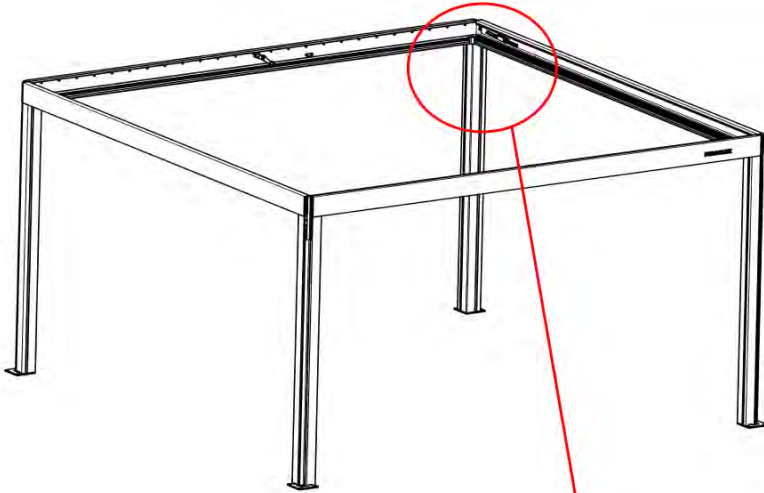
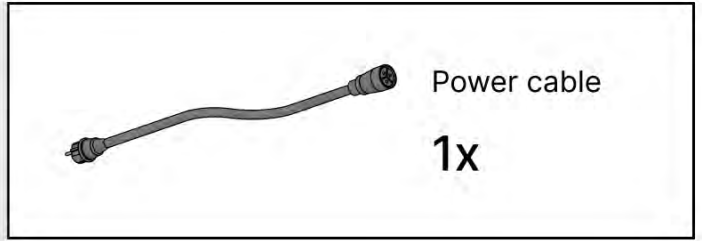
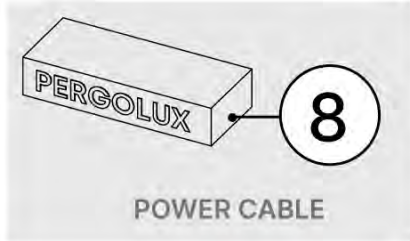


PN-200000568

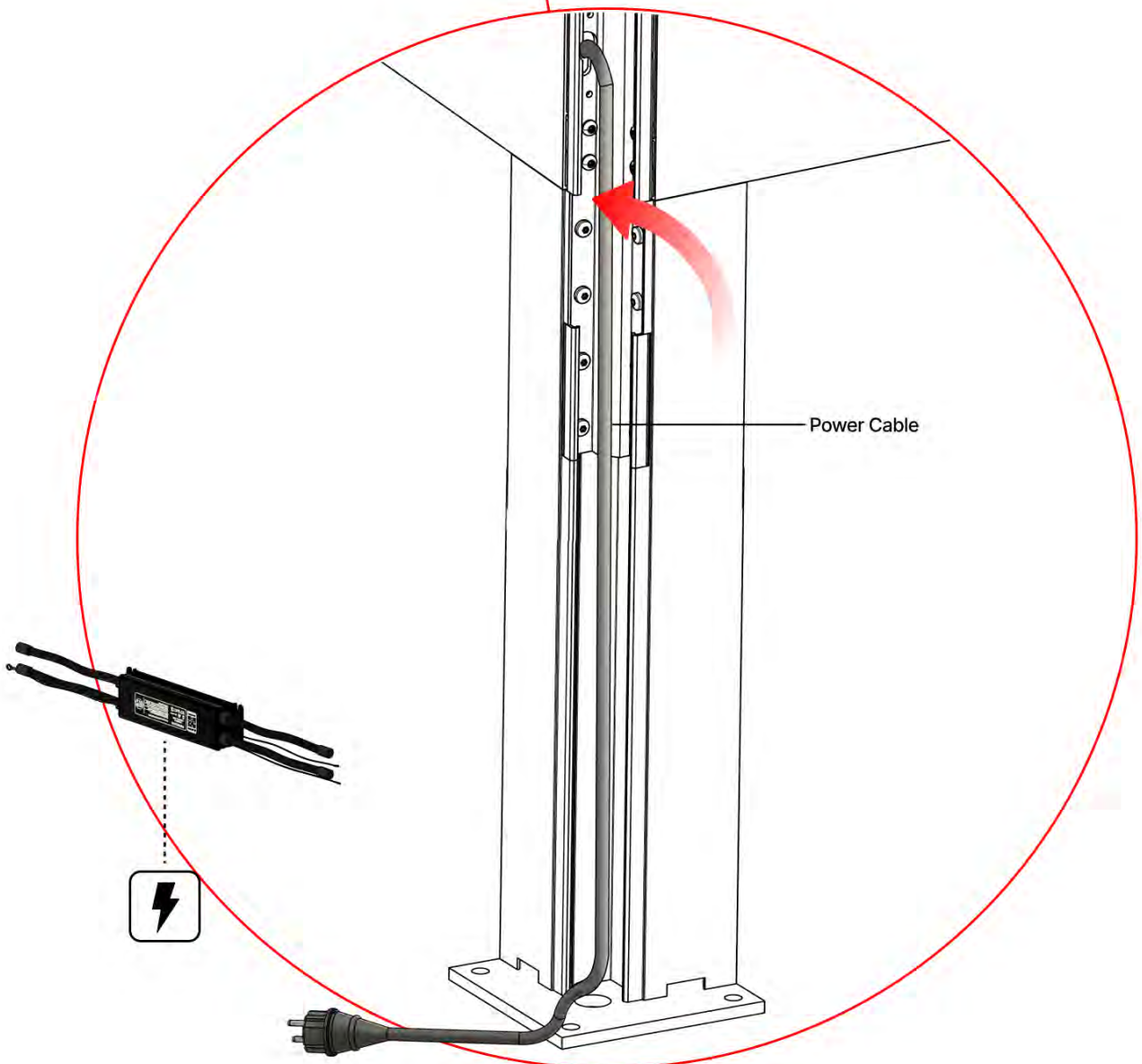
1x



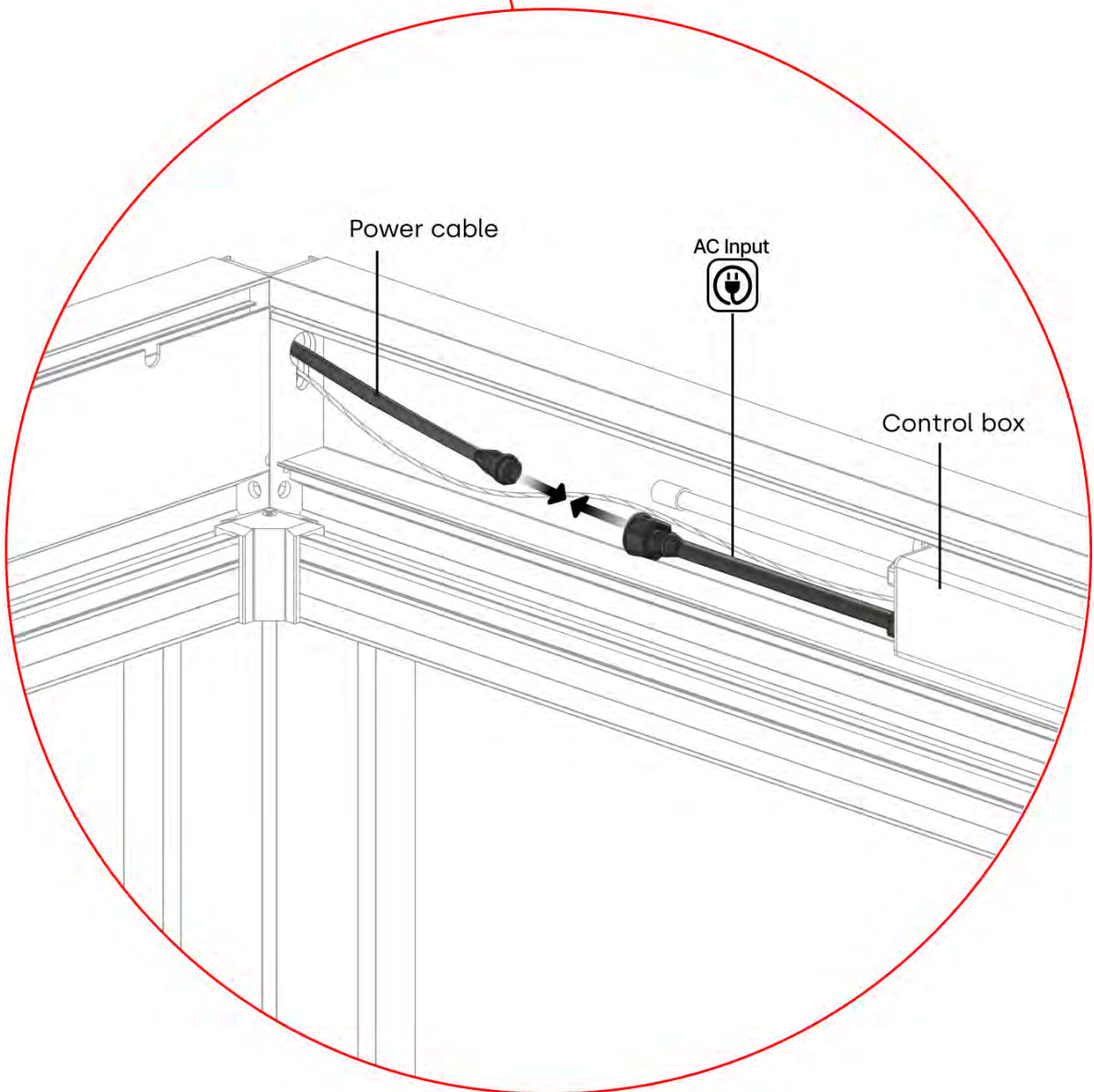
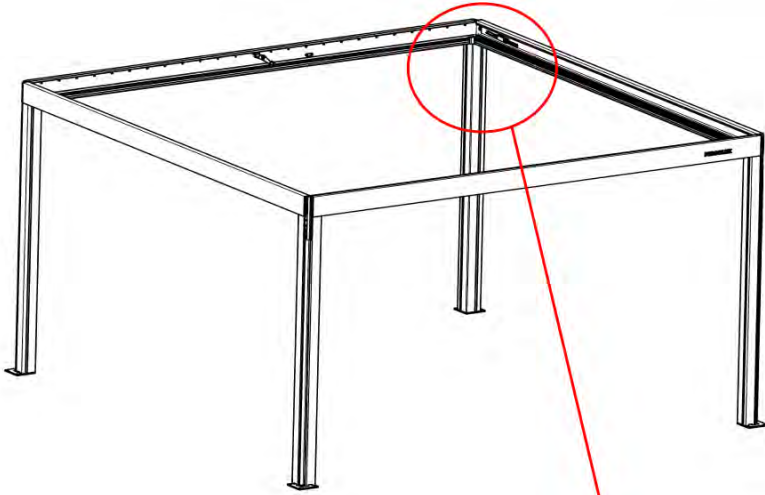
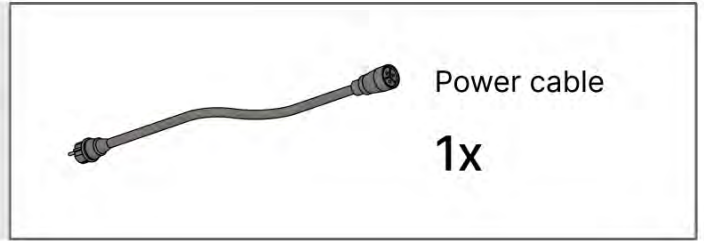
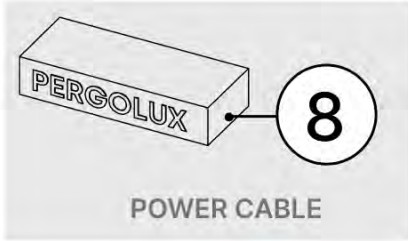
# 26



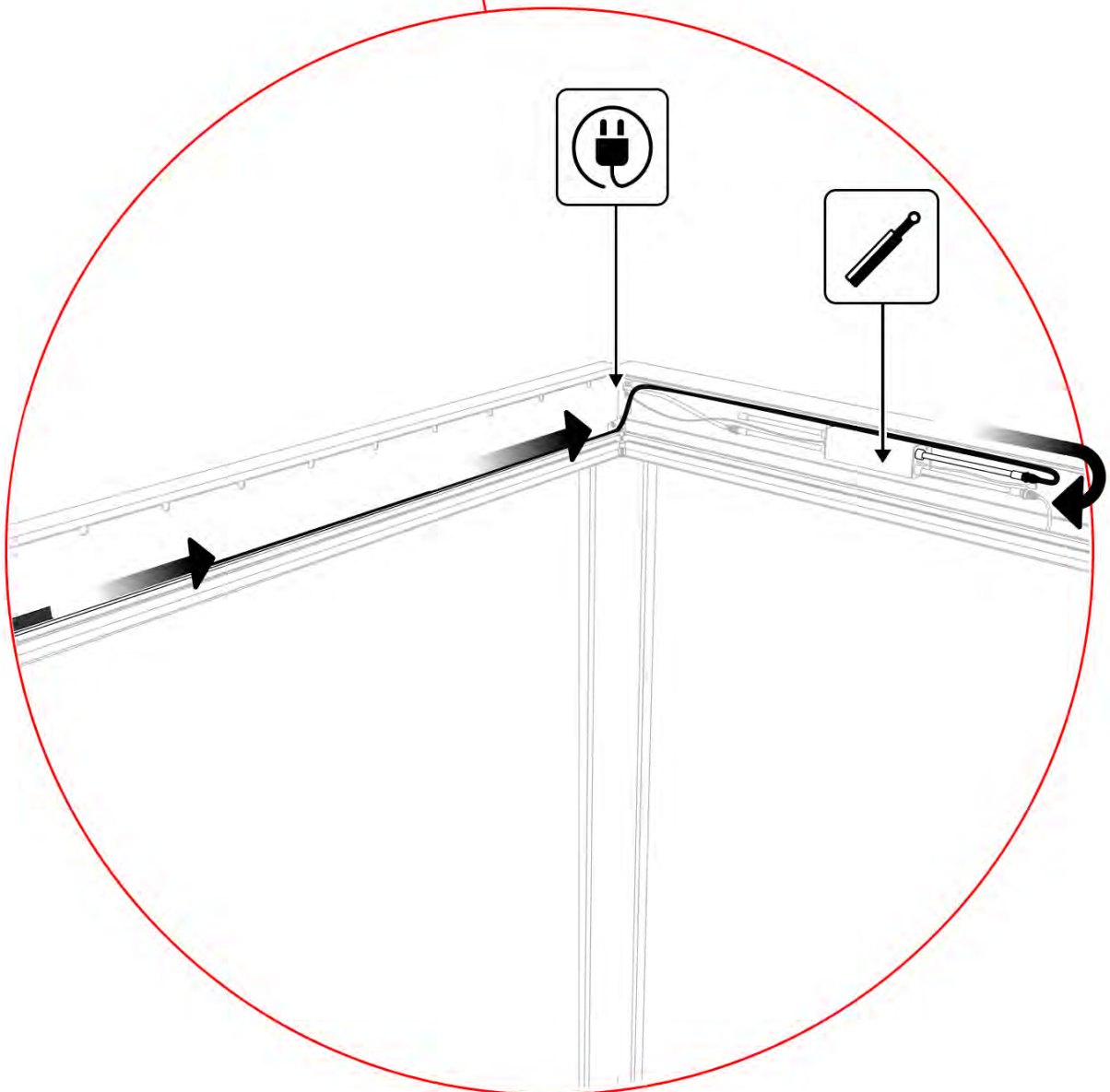
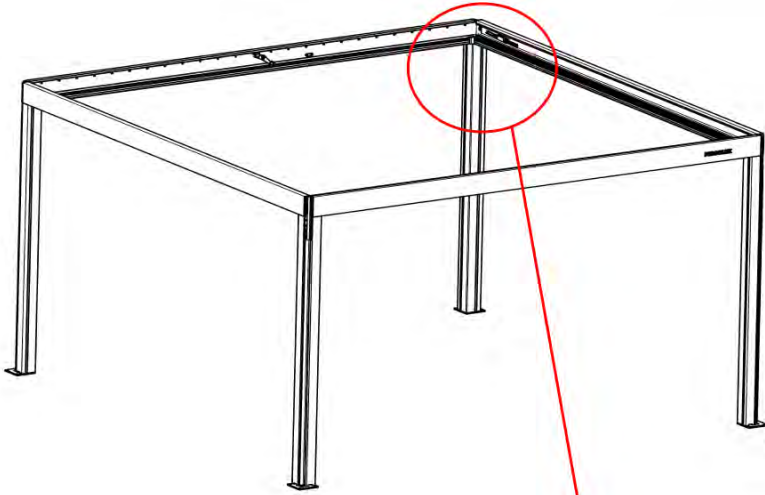
**!**  
Power Cable can be  
routed through all  
the Poles.



# 27



# 28

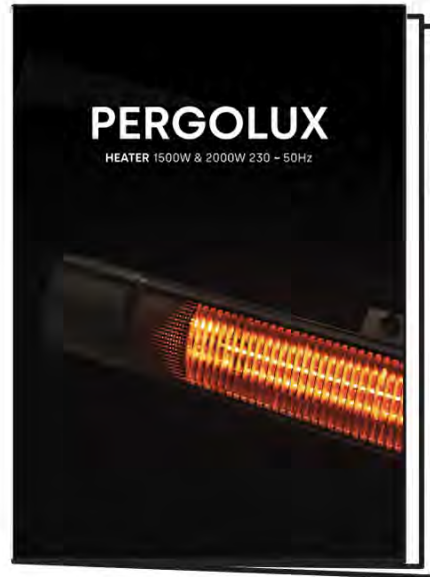


# 29

1

If you are going to install a heater, do it now.

Follow the instructions in the heater assembly manual.



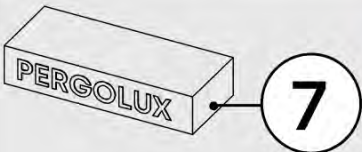


2

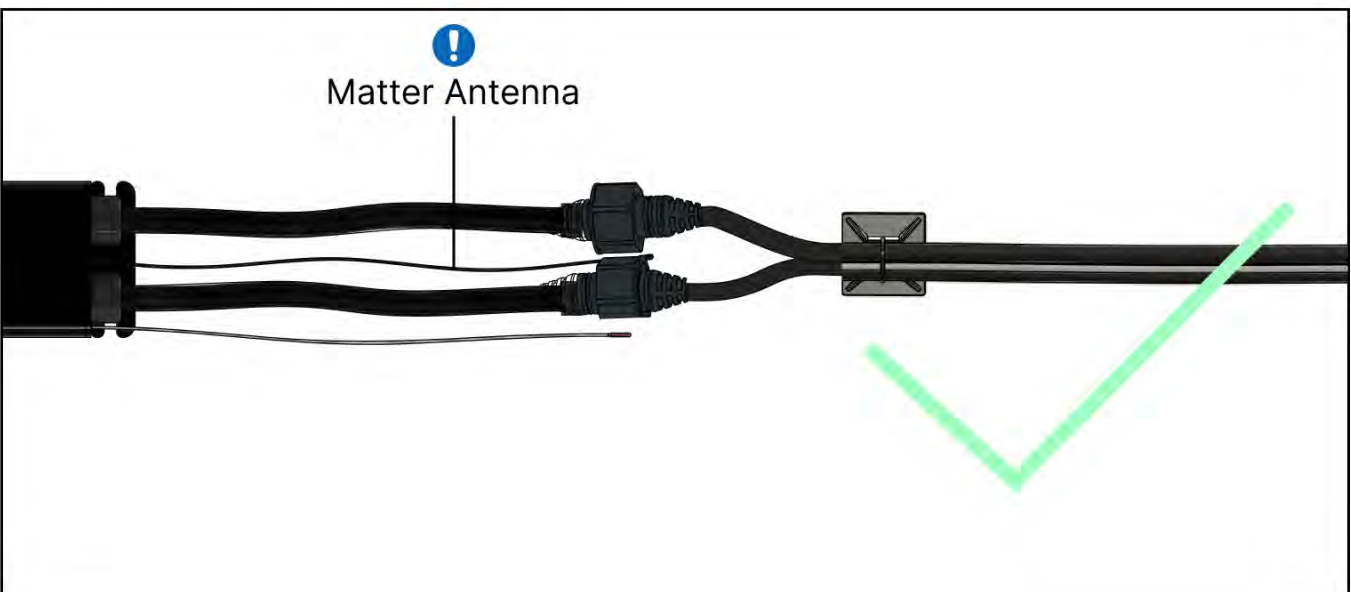
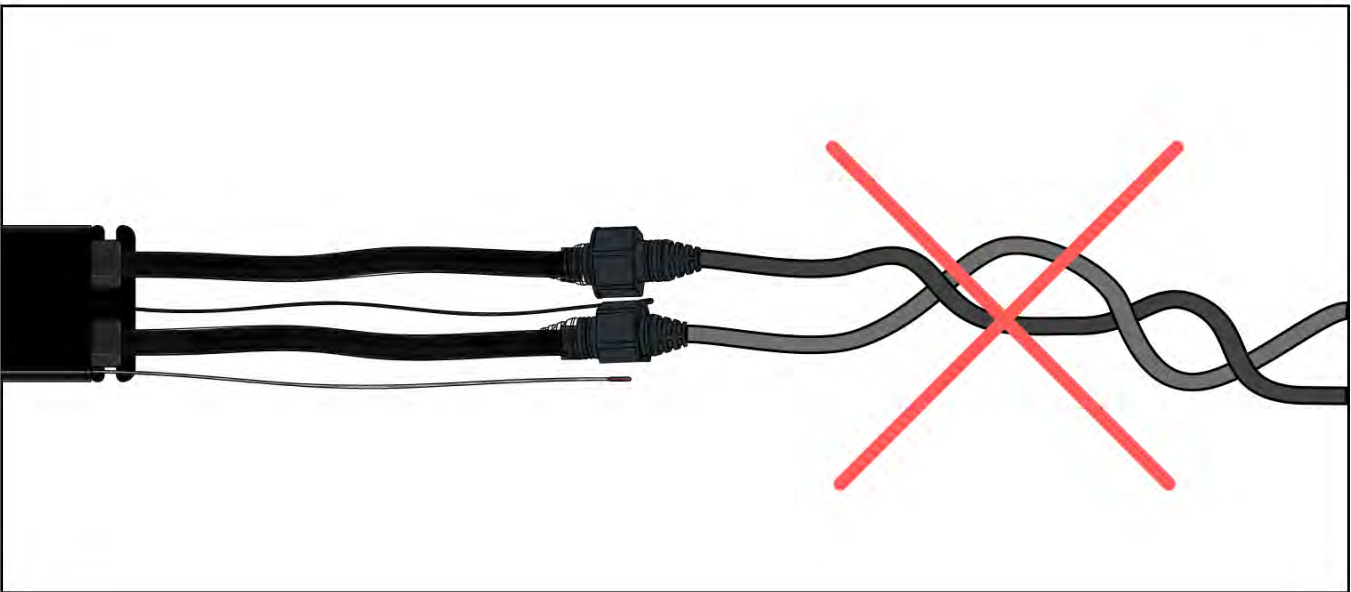
It's time to connect the motor and LED lights to the pergola control box.

Follow the instruction in the assembly manual.



# 30

 <p>PERGOLUX CONTROL BOX</p>	<b>S4</b>	PN-200002683 <b>5x</b>
<p><b>!</b> Keep the Matter Antenna wire free and do not tie them with LED and Motor wire</p>		PN-200002684 <b>10x</b>
		



# 31



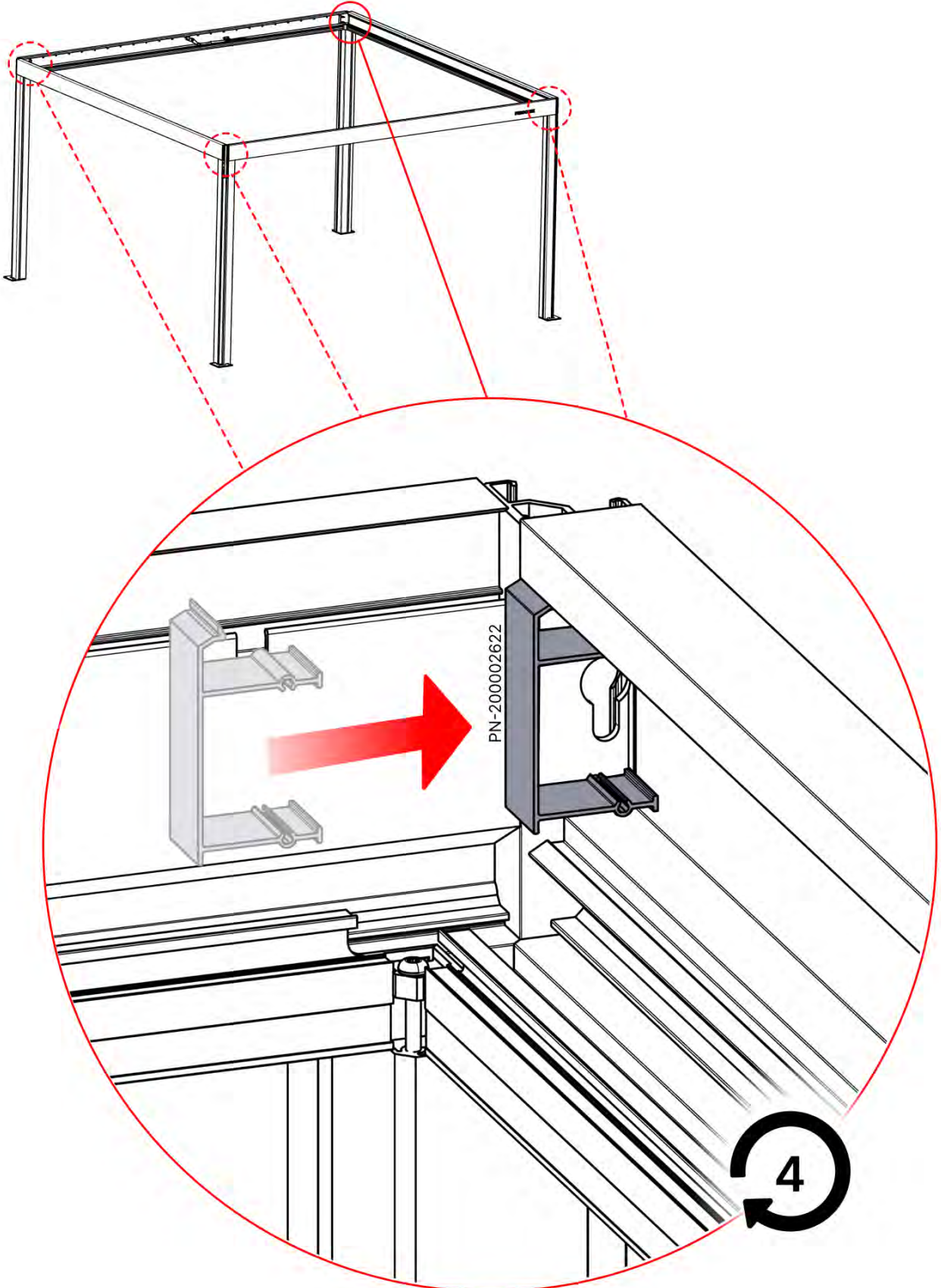
4

ANTHRACITE: B234  
WHITE: B242  
BLACK: B238



PN-200002622

4x



# 32



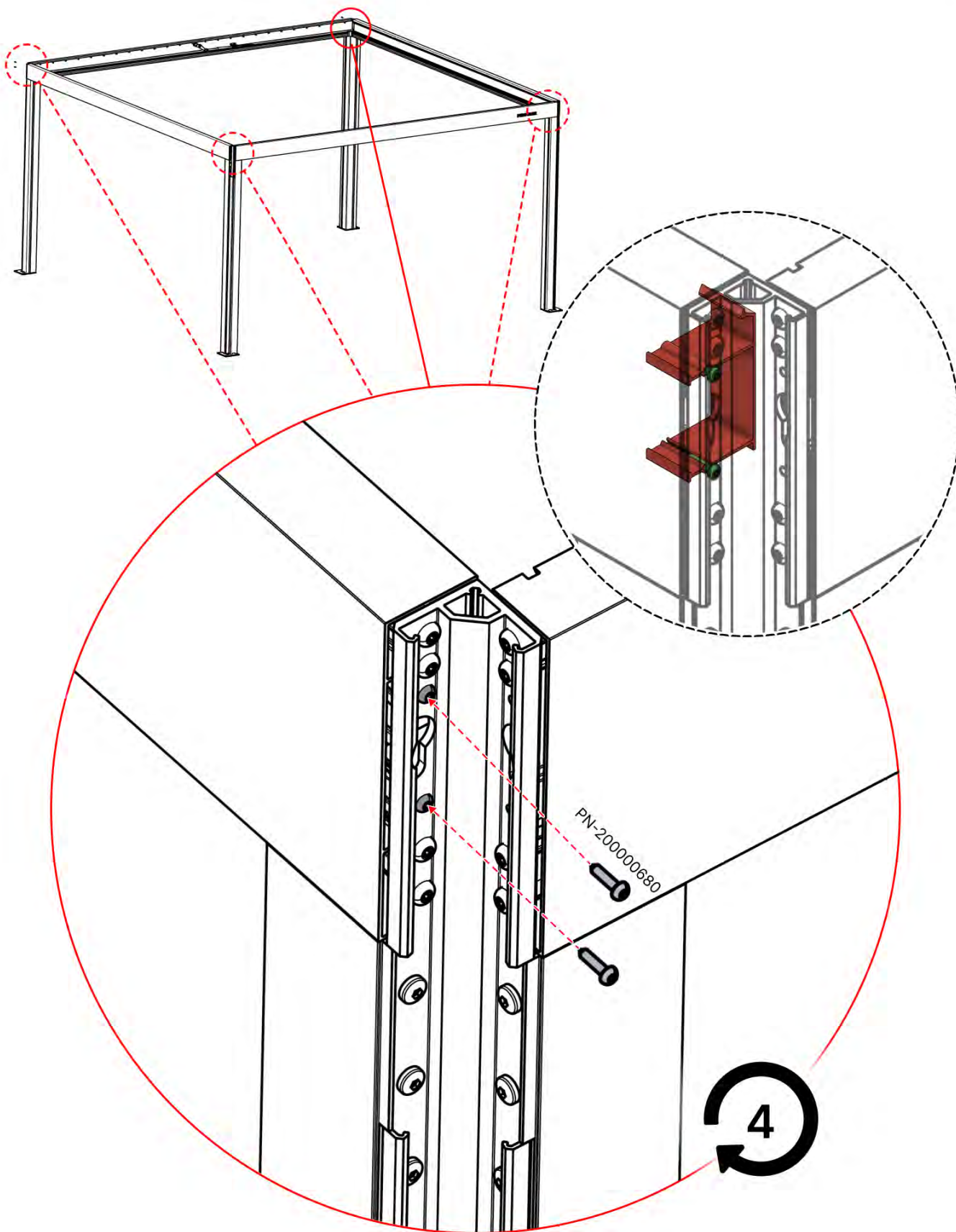
4

ANTHRACITE: B234  
WHITE: B242  
BLACK: B238

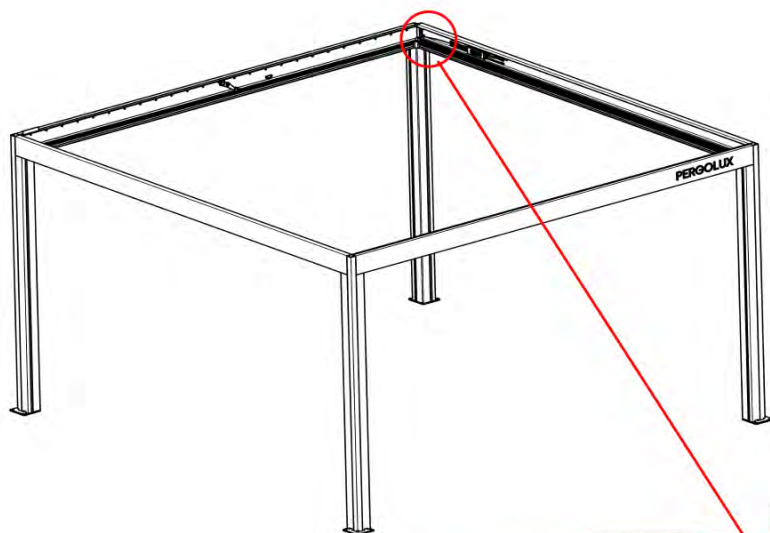


PN-200000680

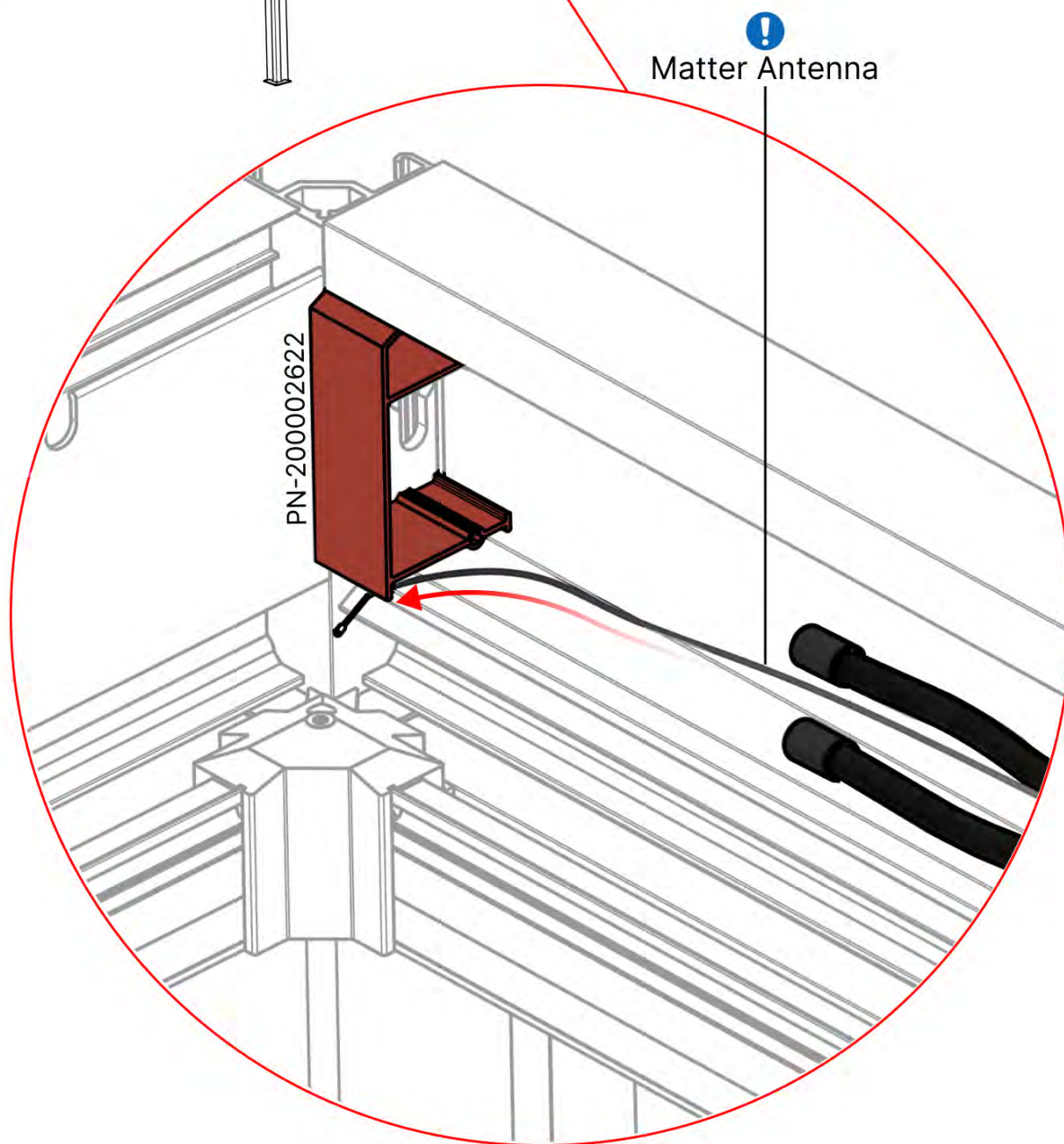
8x



# 33



**!**  
Route the Matter  
Antenna and place it  
below the highlighted  
part(PN-200002622).

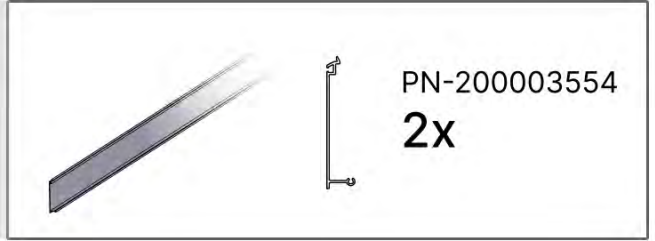


# 34

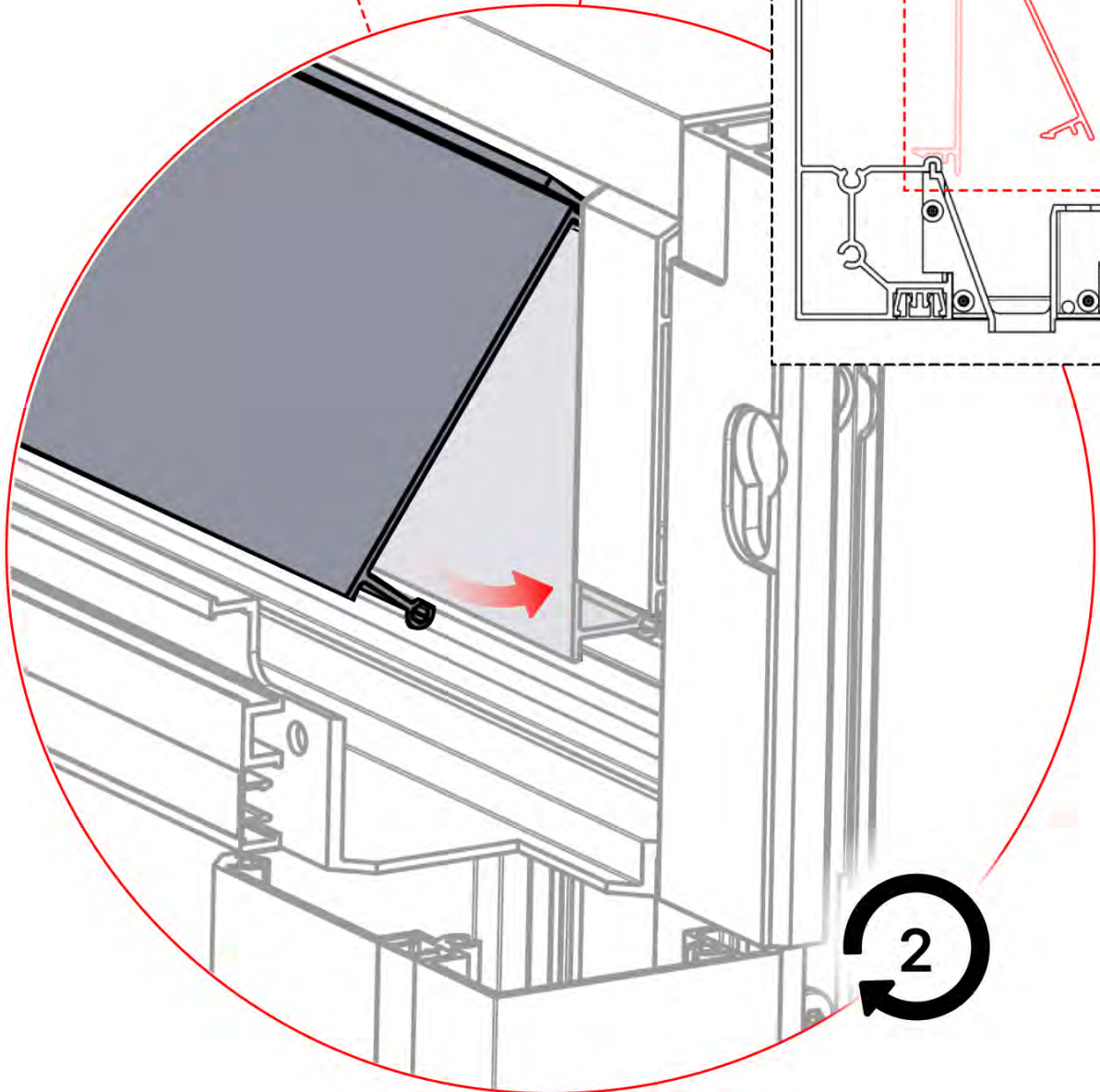
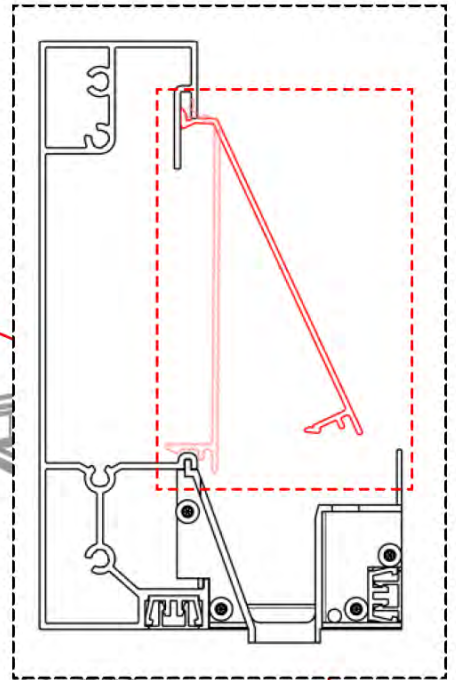
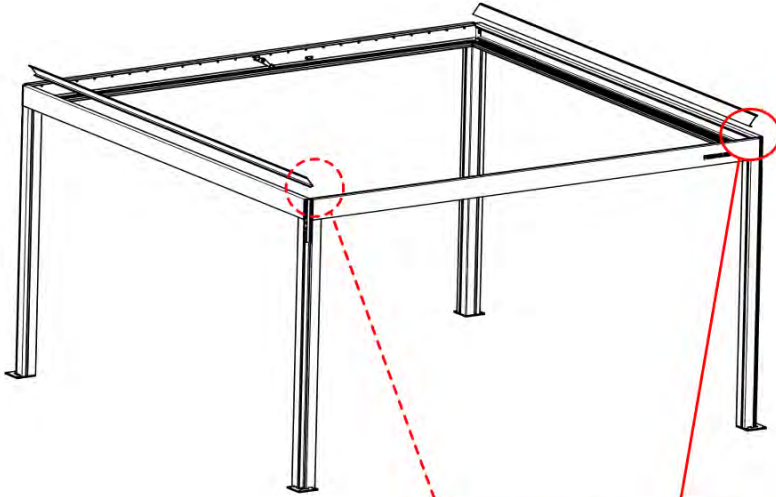


5

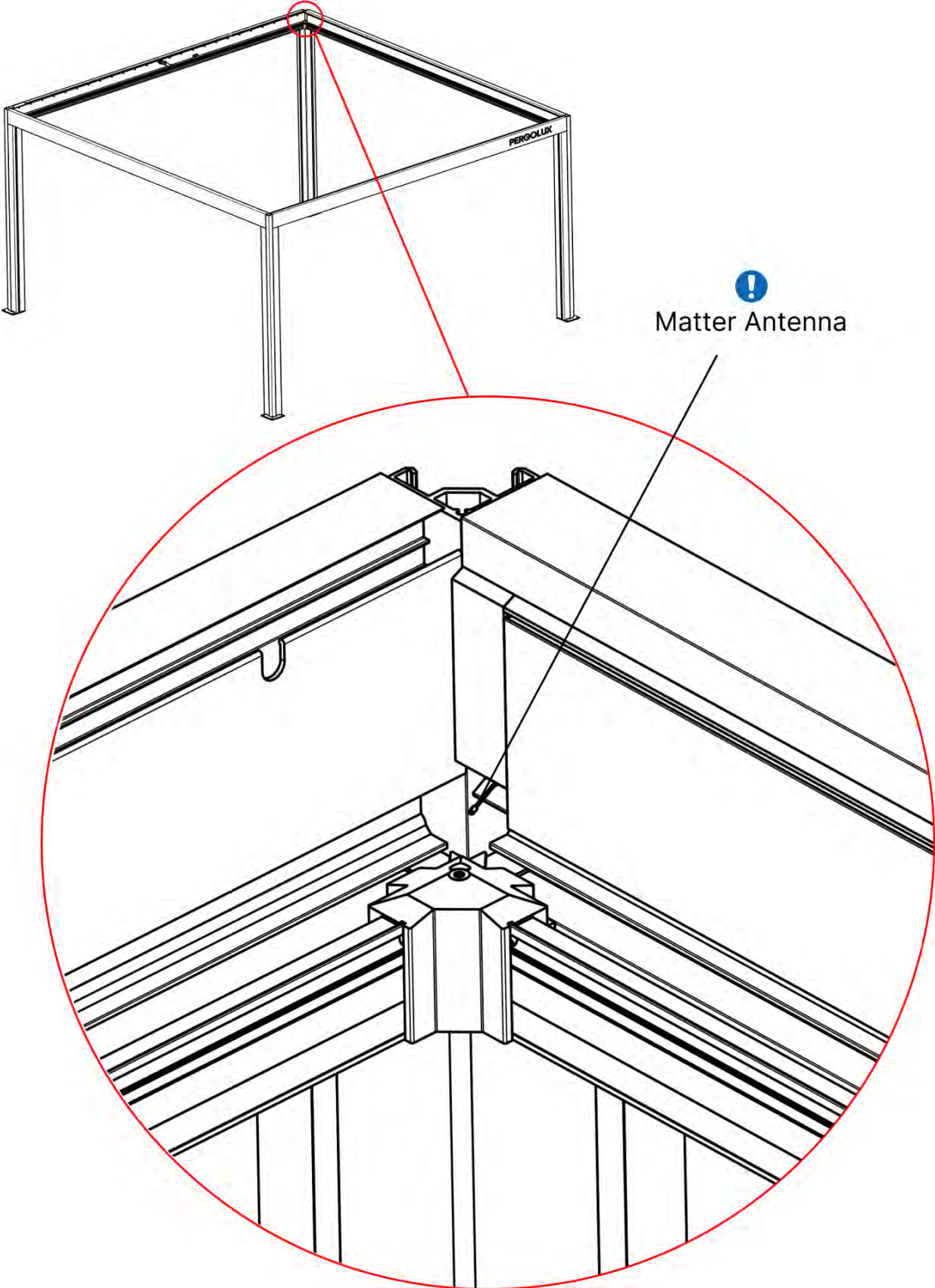
ANTHRACITE: B256  
WHITE: B260  
BLACK: B258



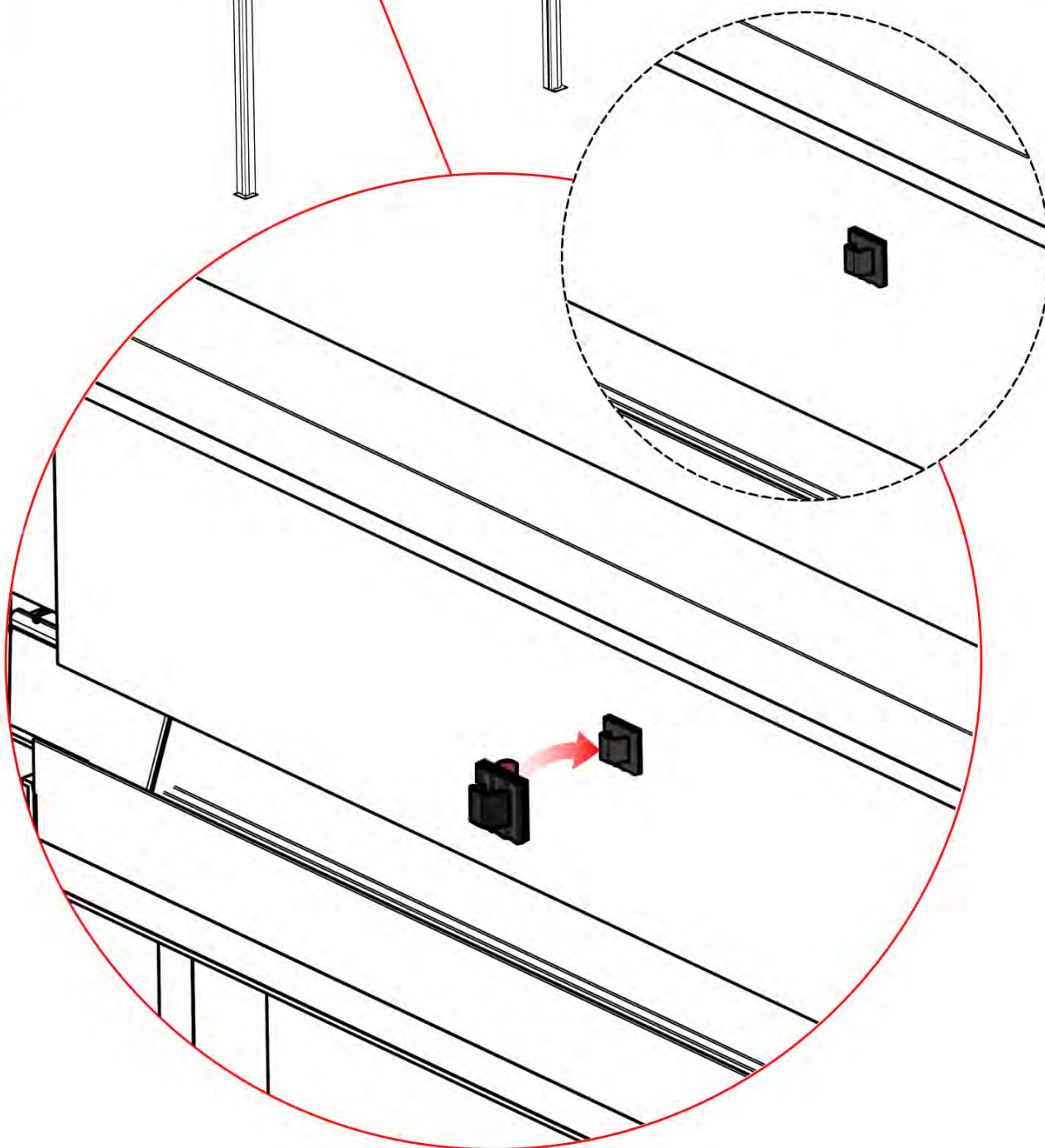
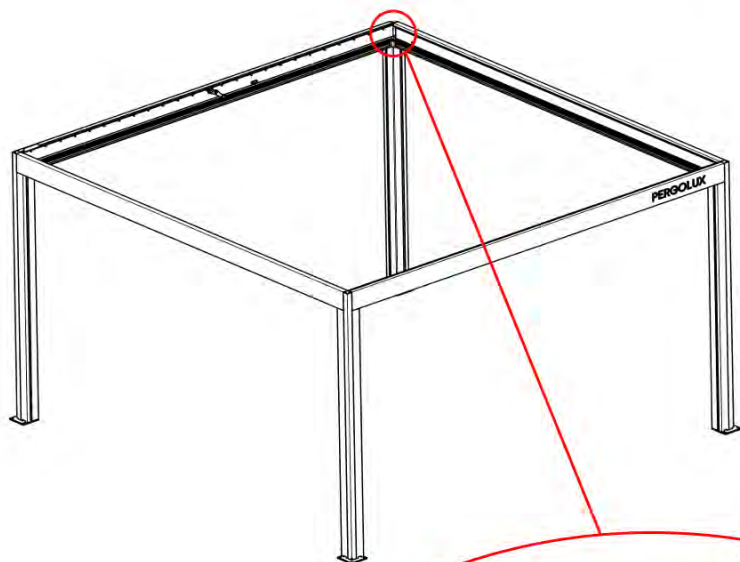
PN-200003554  
2x



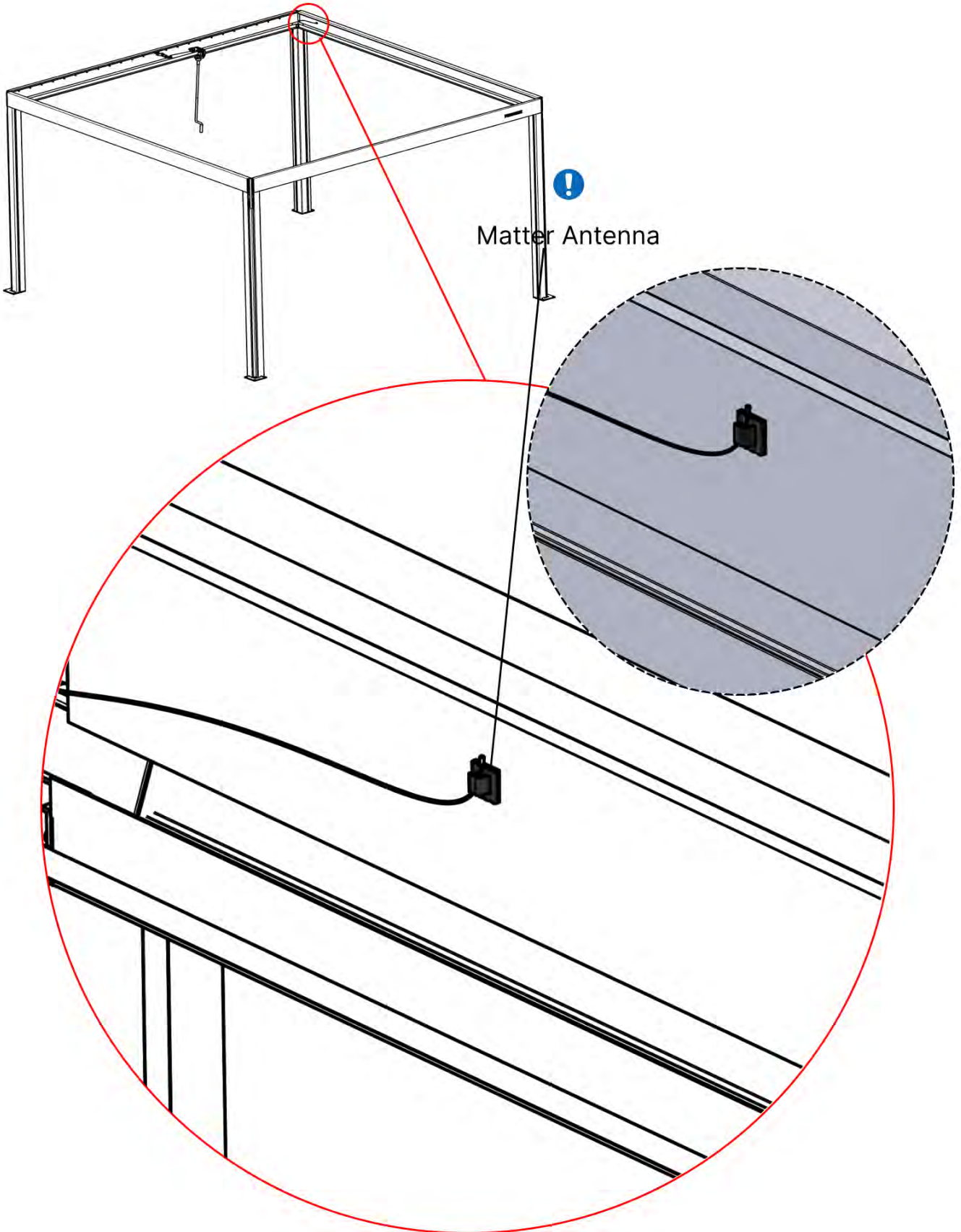
# INFORMATION



# 35



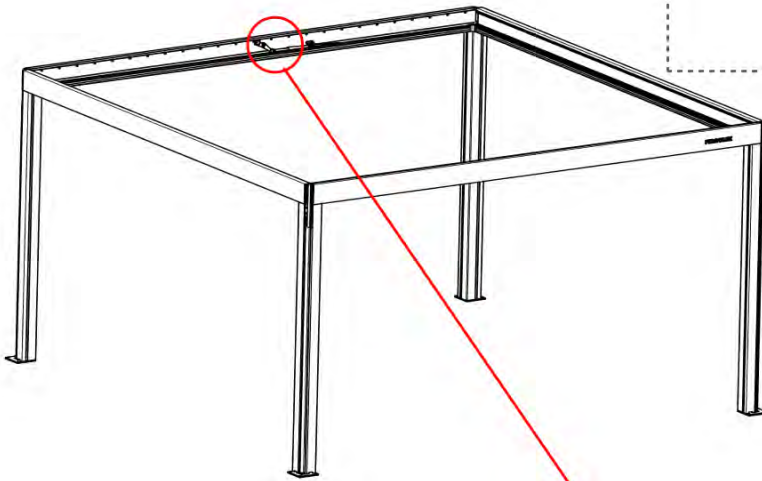
# 36



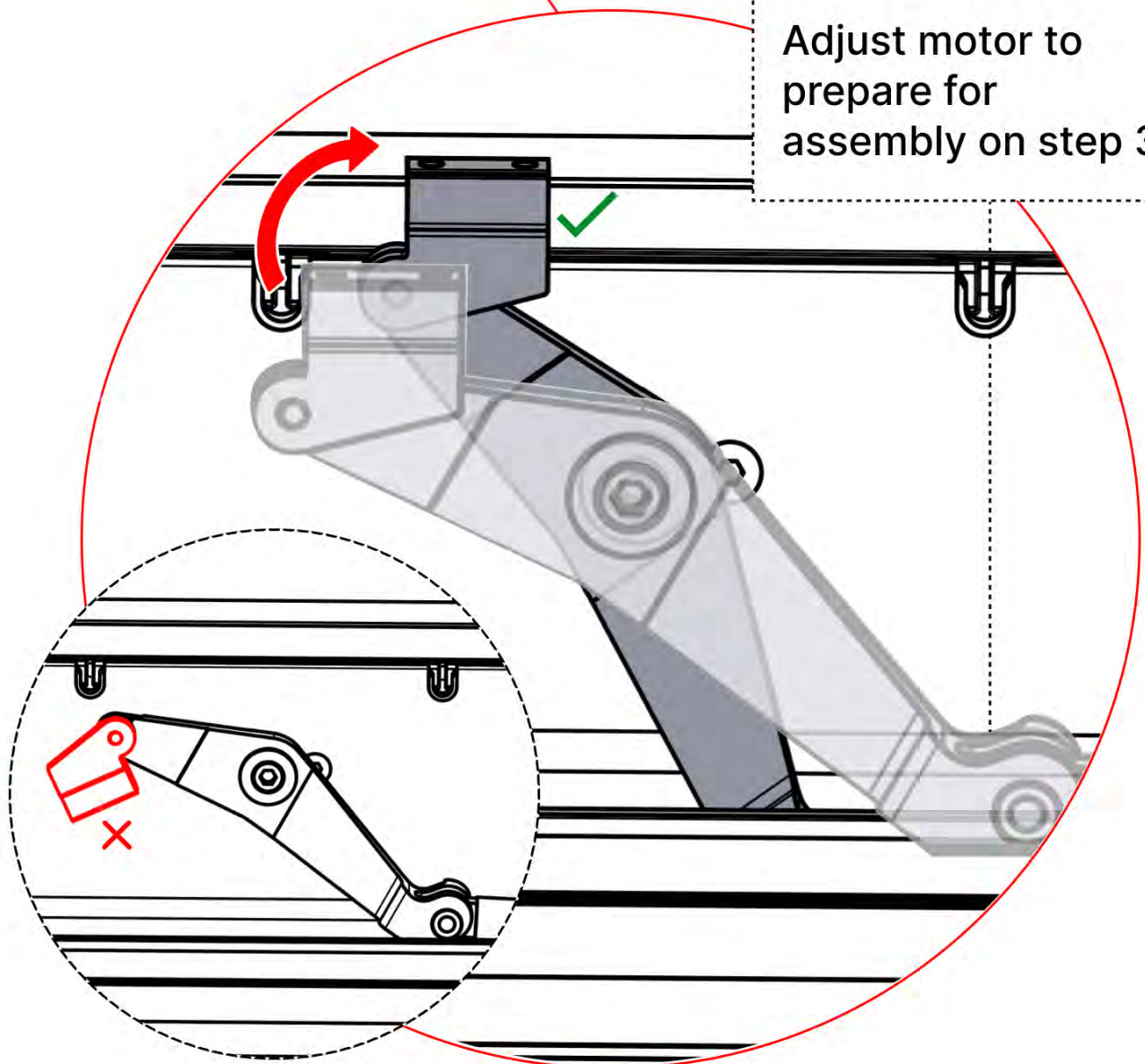
# 37



Remote  
Controller



Adjust motor to  
prepare for  
assembly on step 38

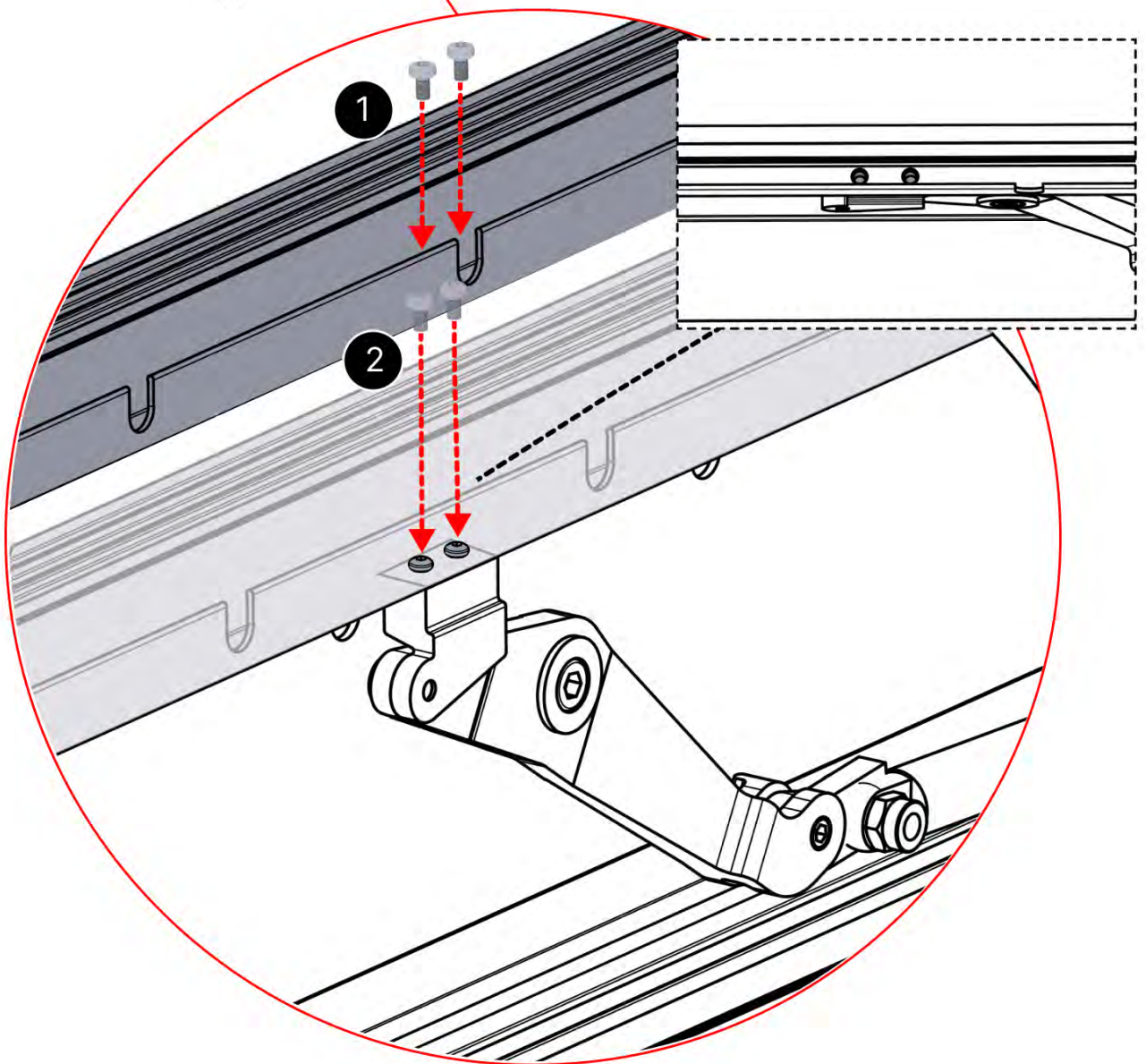
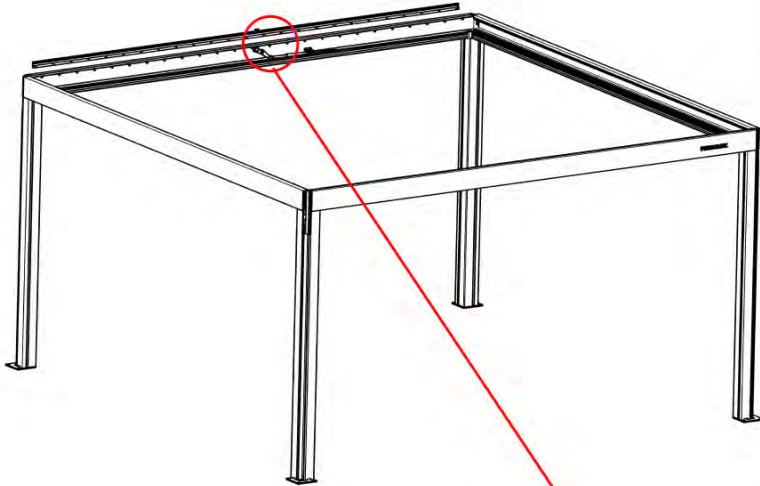


# 38

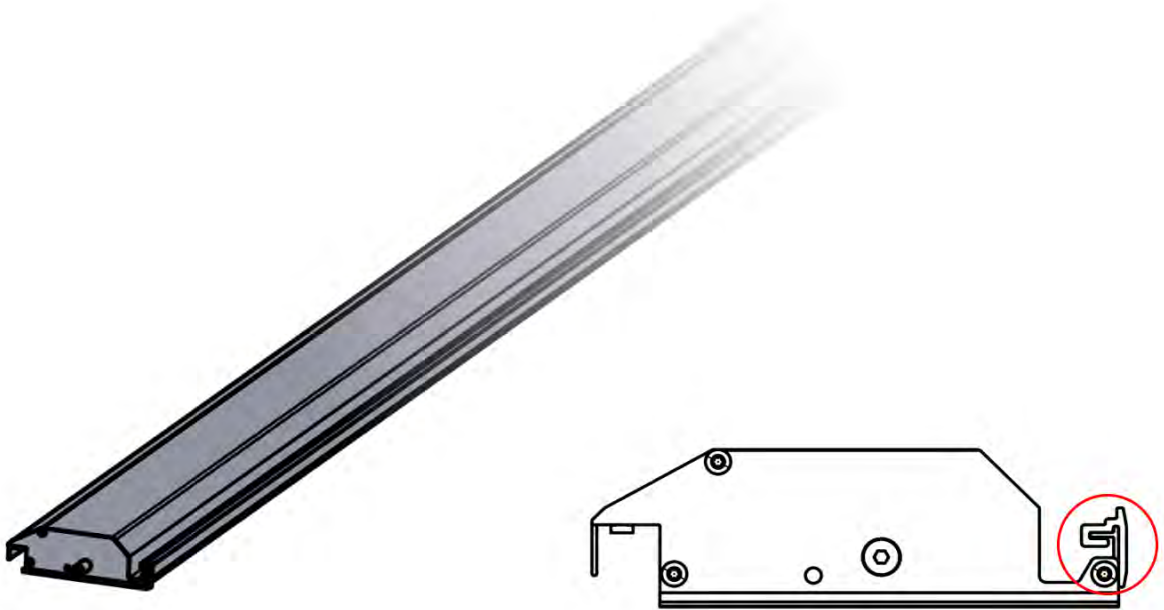


4

ANTHRACITE: B234  
WHITE: B242  
BLACK: B238



# ITEMS IN BOX



**x7**  
PERGOLUX

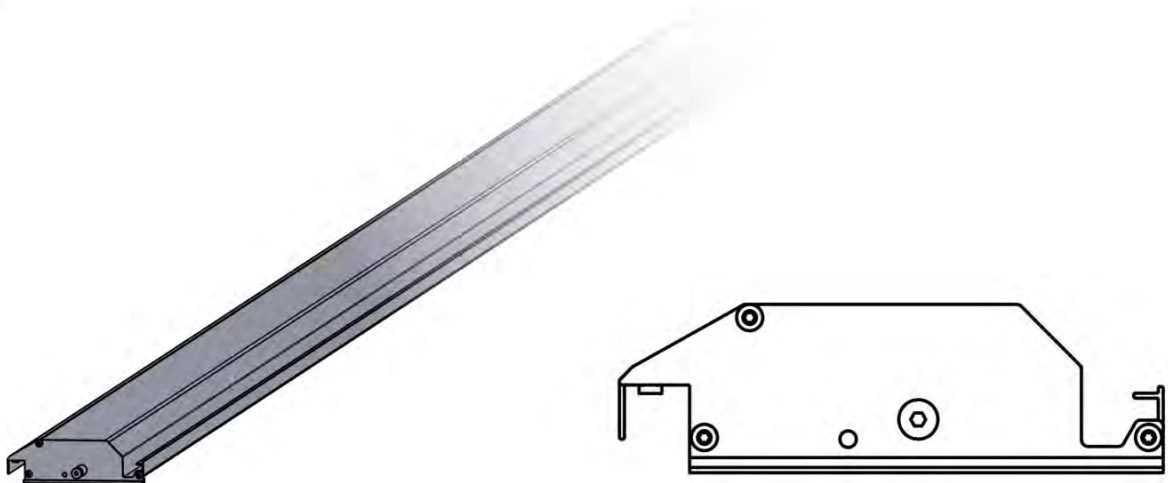
**3**

ANTHRACITE: L227  
WHITE: L231  
BLACK: L229

PLR 150 G2 PRO LOUVER END FS 4M  
PACKAGE

PN-200002645

**1x**



**x4**  
PERGOLUX  
PERGOLUX  
PERGOLUX  
PERGOLUX

**2**

ANTHRACITE: L215  
WHITE: L219  
BLACK: L217

**Standard**

PLR 150 G2 PRO LOUVER STD FS 4M  
PACKAGE

PN-200002629

**30x**

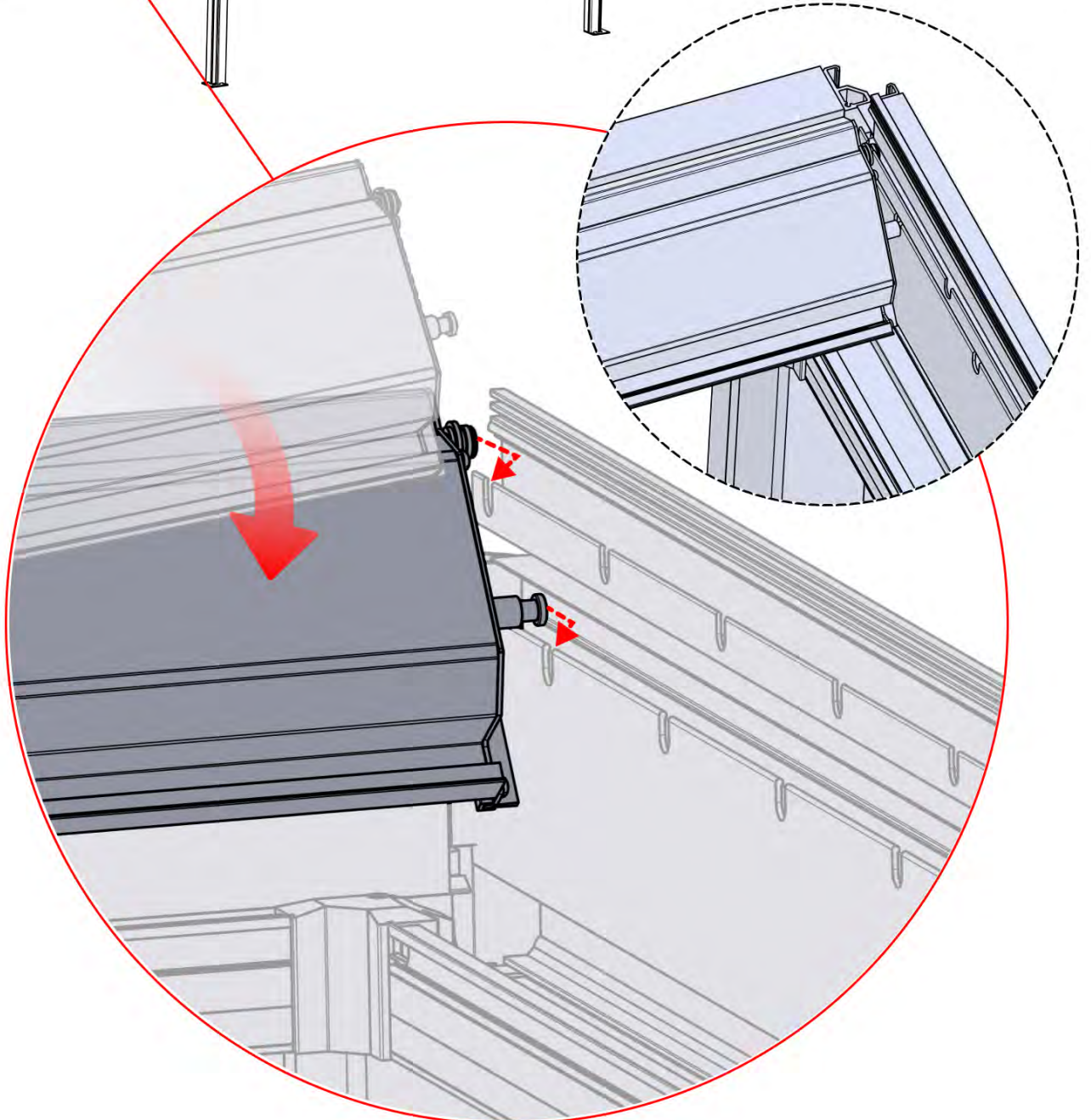
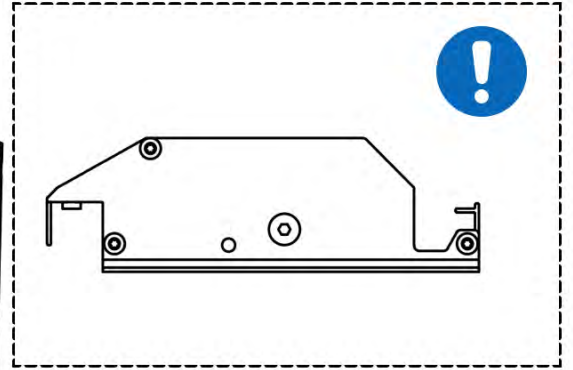
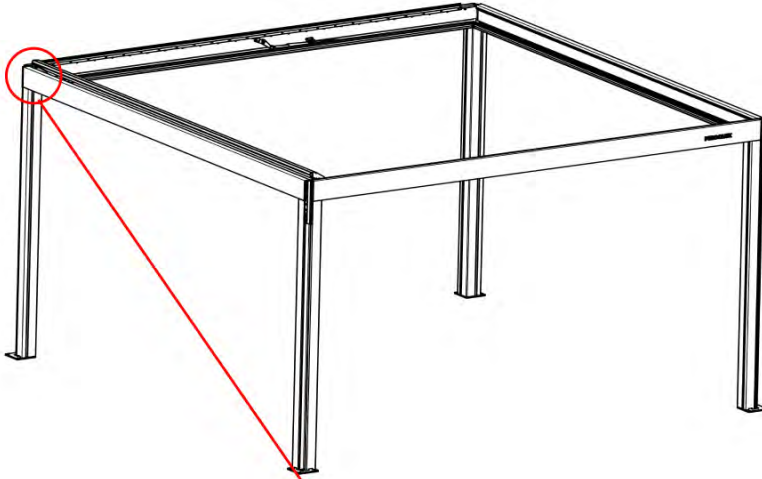
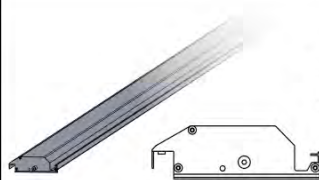
# 39

**x4**  
PERGOLUX  
PERGOLUX  
PERGOLUX  
PERGOLUX

**2**

ANTHRACITE: L215  
WHITE: L219  
BLACK: L217

PN-200002629  
**1x**

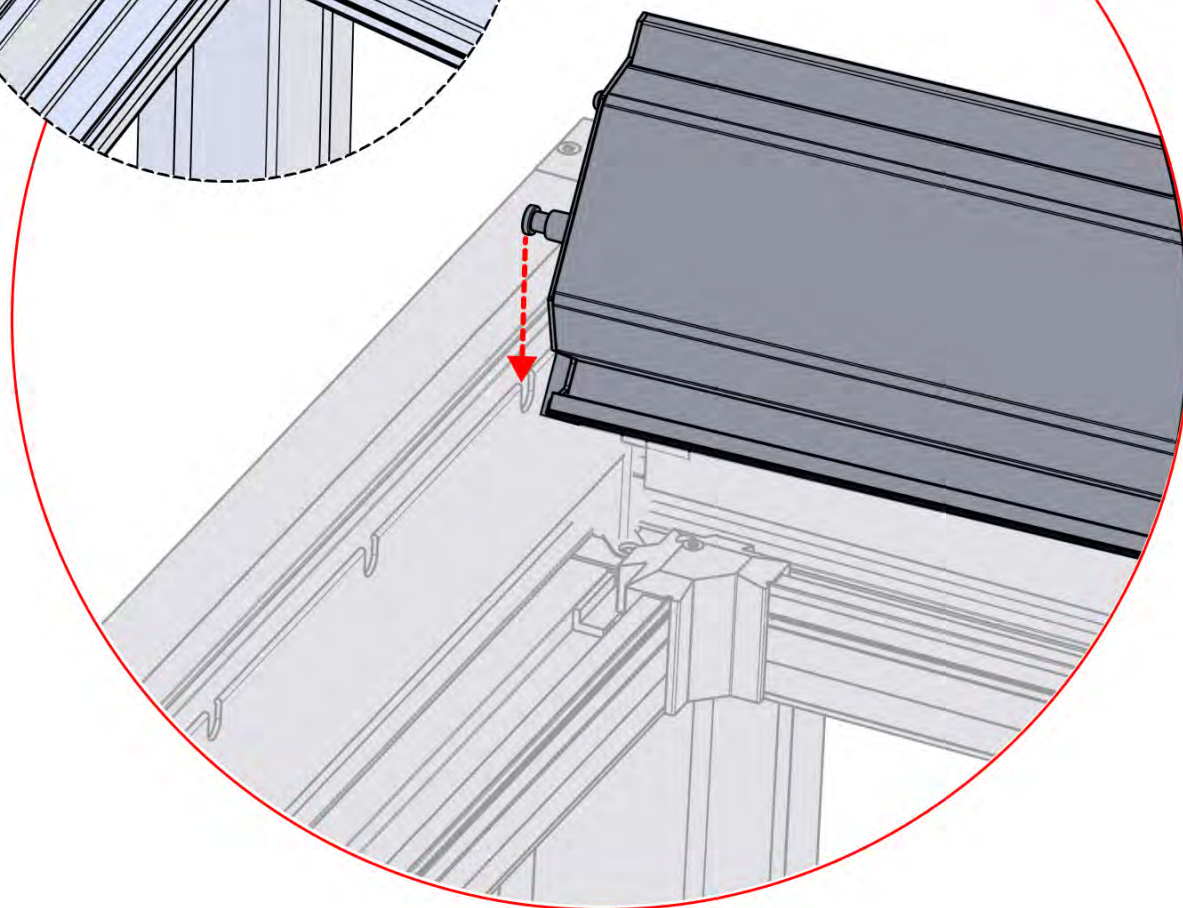
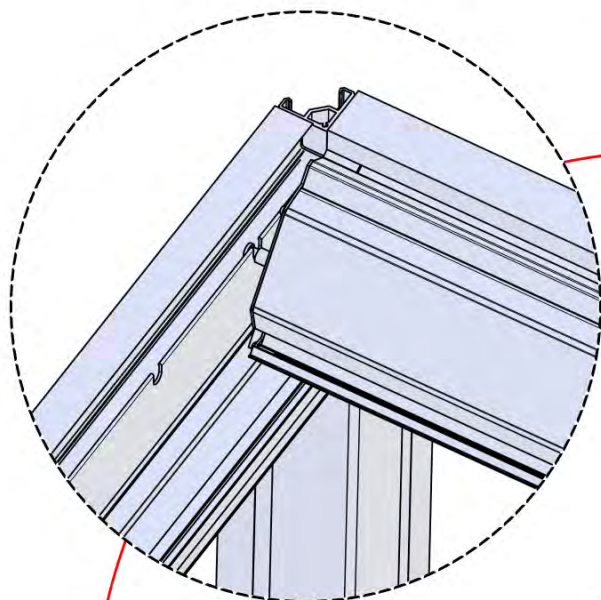
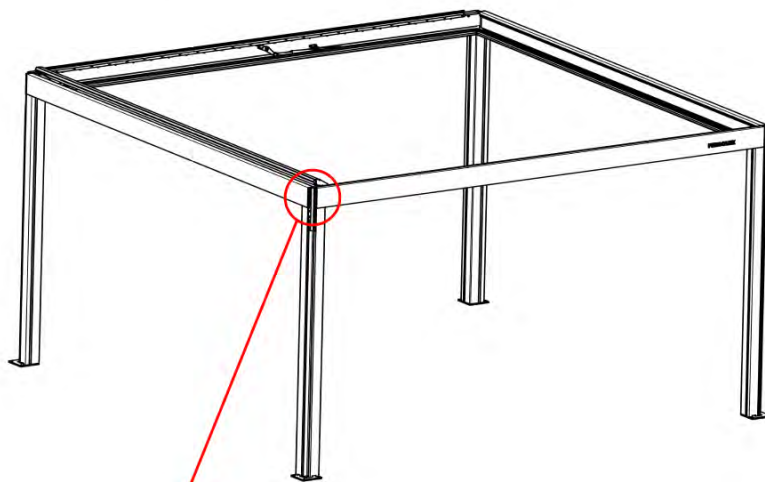
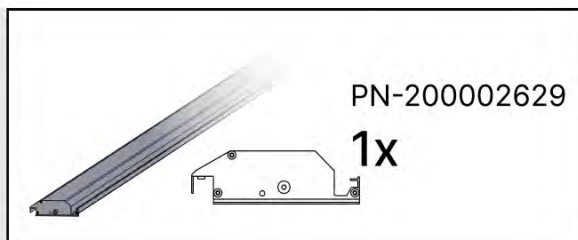


# 40



2

ANTHRACITE: L215  
WHITE: L219  
BLACK: L217

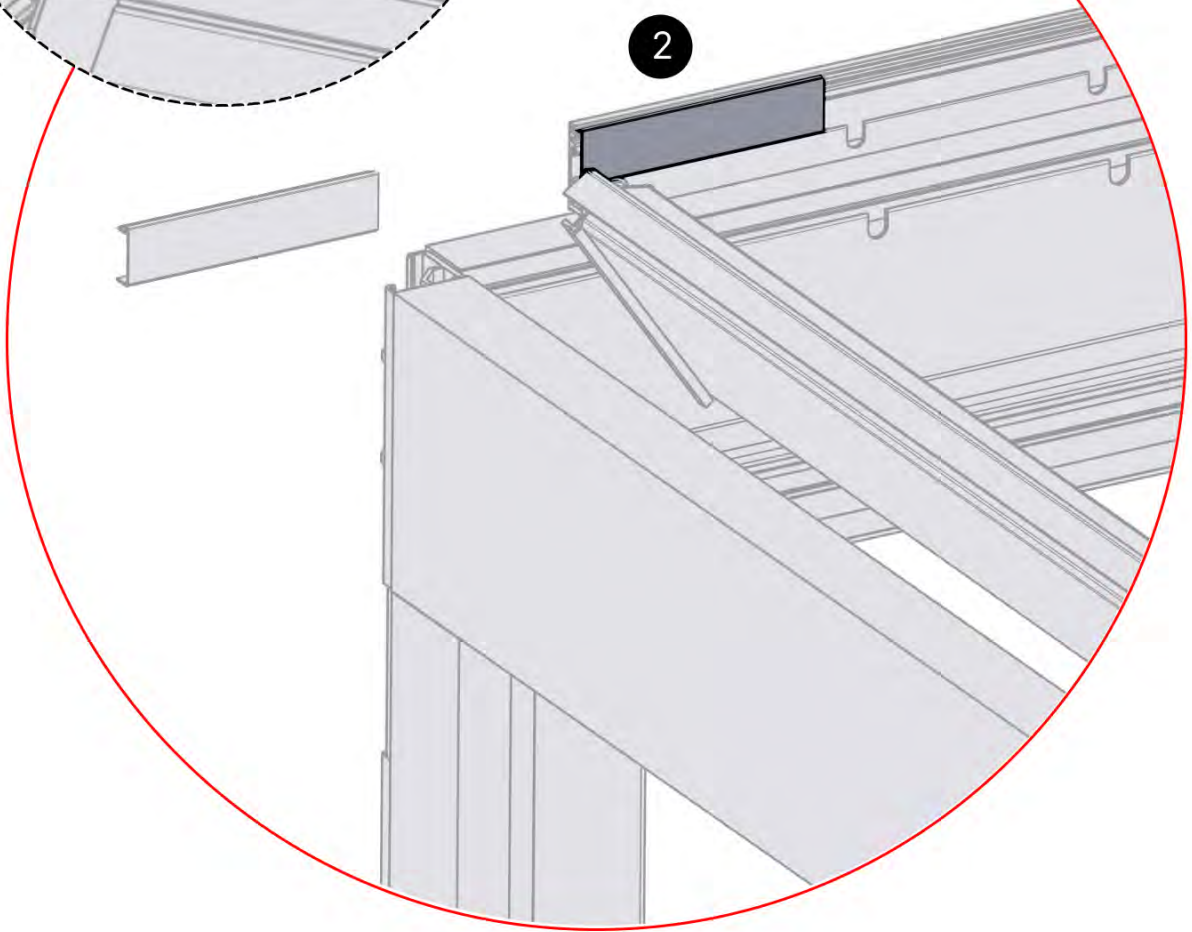
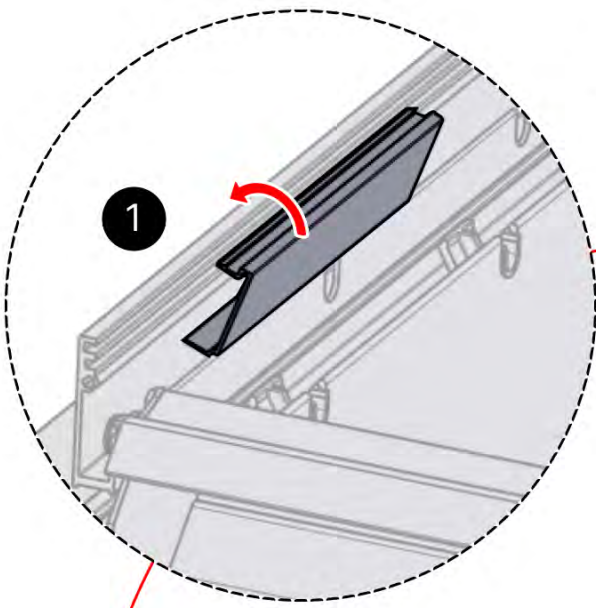
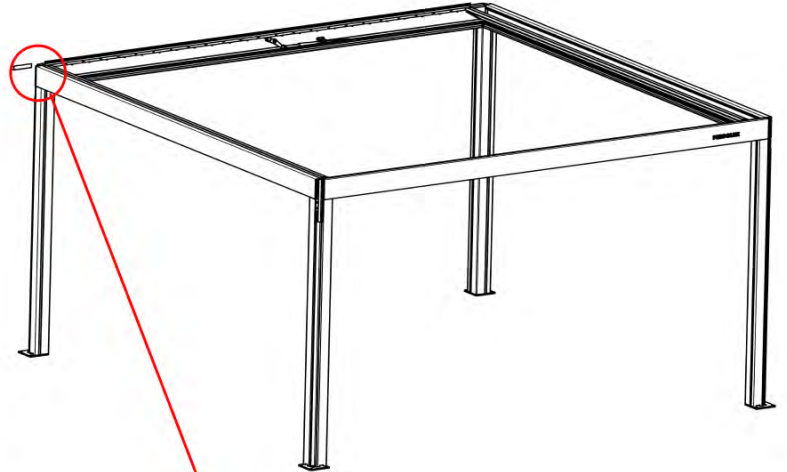
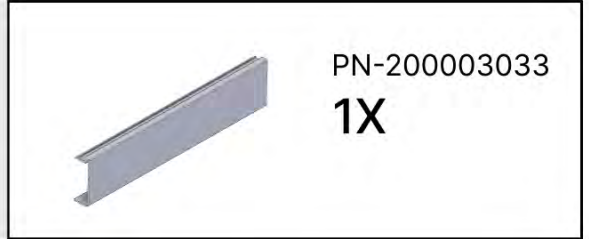


# 41

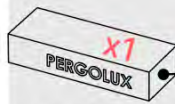


4

ANTHRACITE: B234  
WHITE: B242  
BLACK: B238

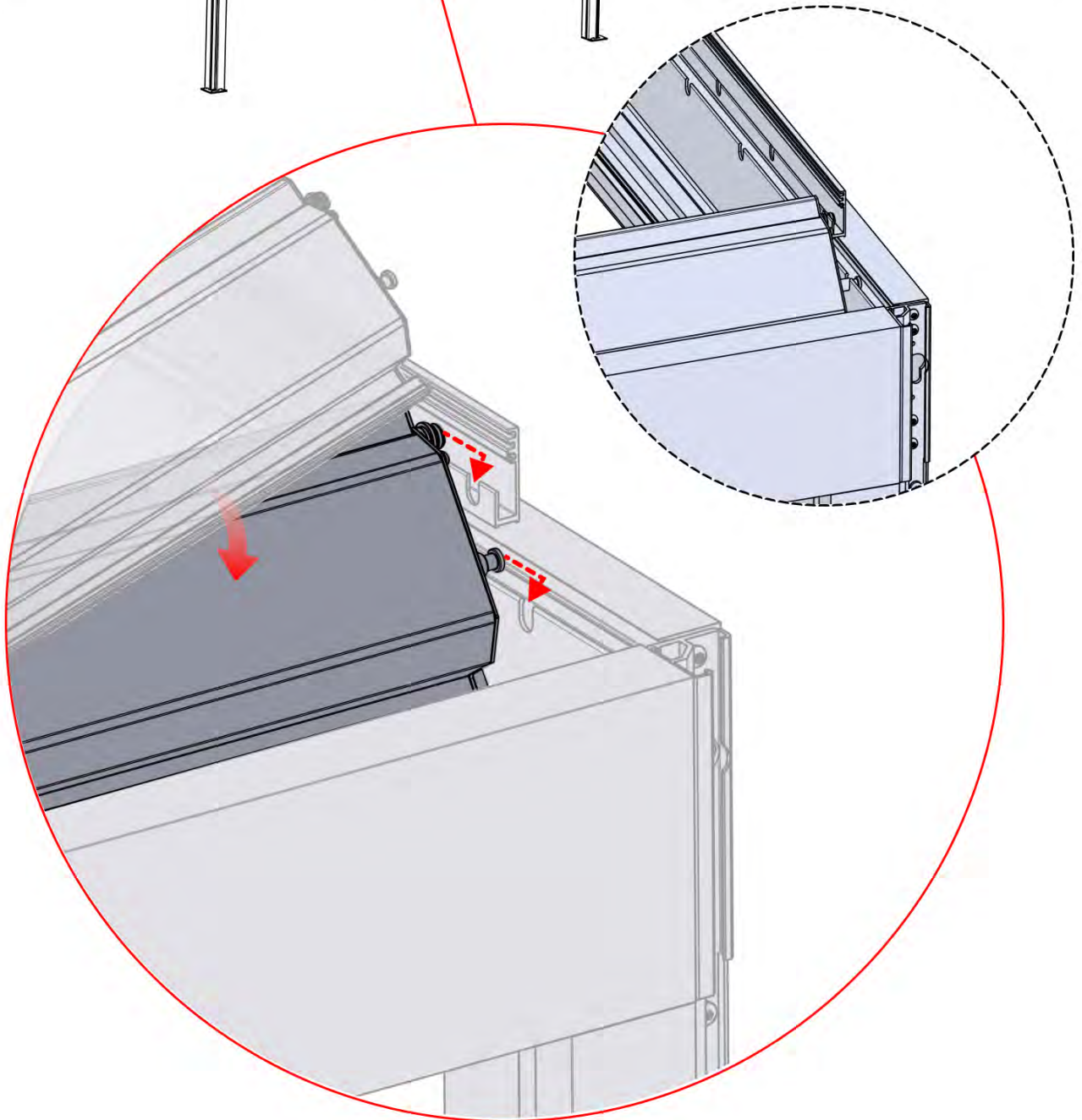
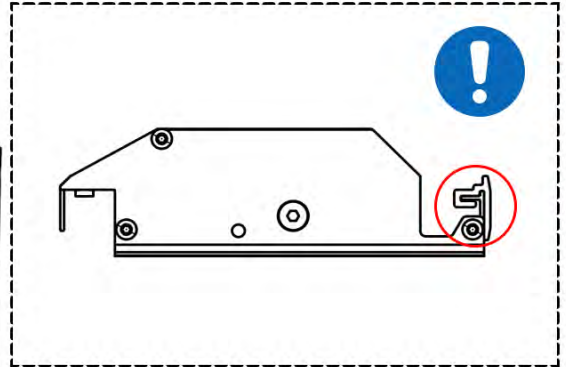
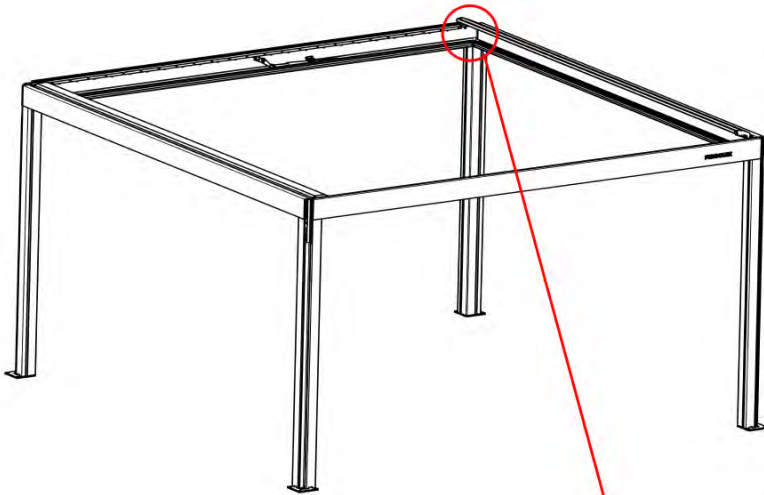
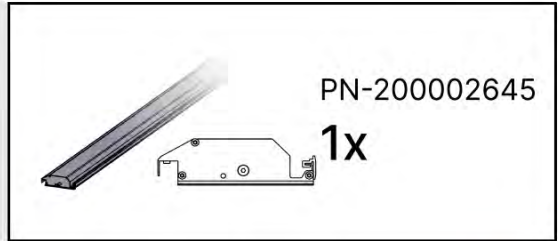


# 42

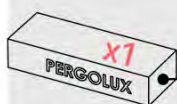


3

ANTHRACITE: L227  
WHITE: L231  
BLACK: L229

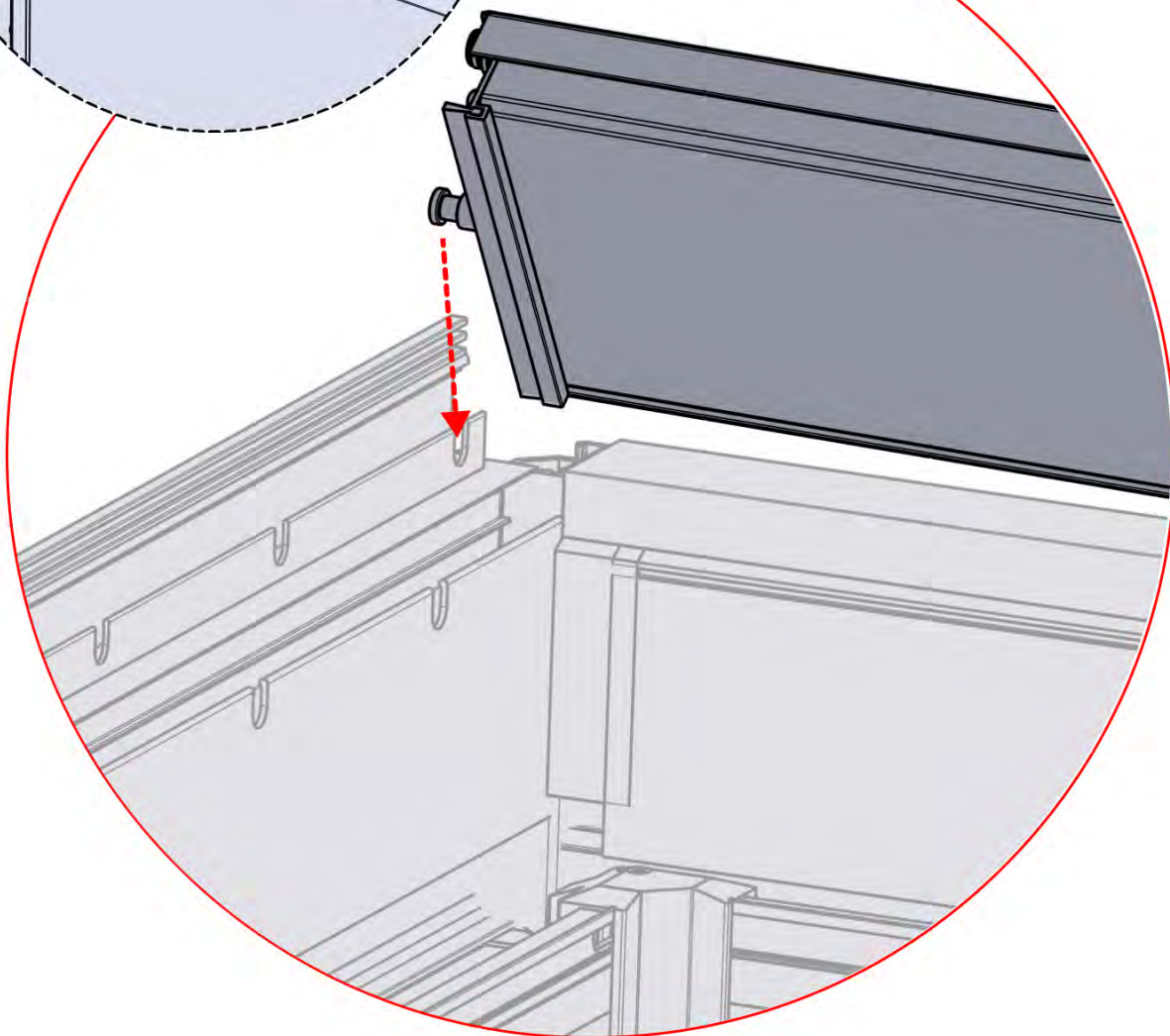
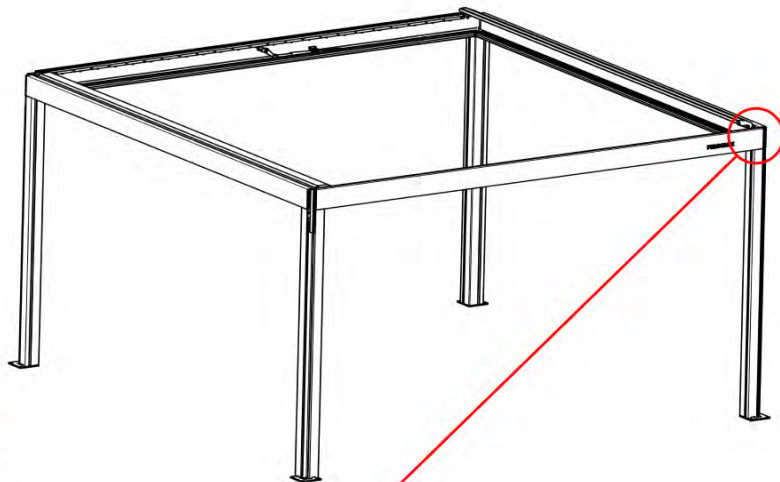
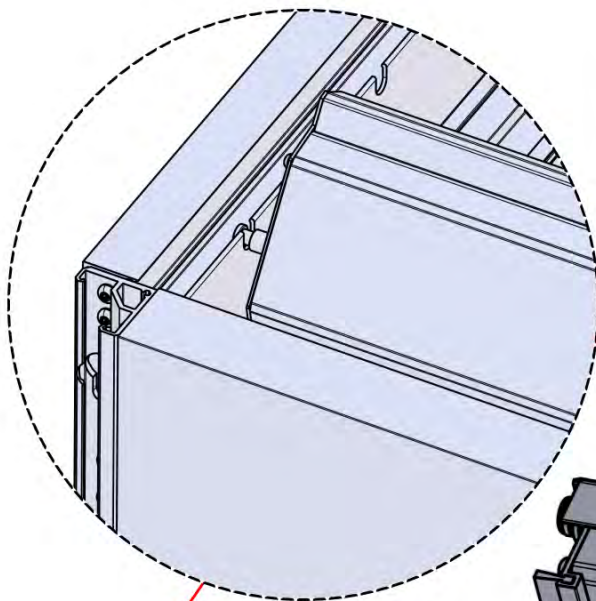
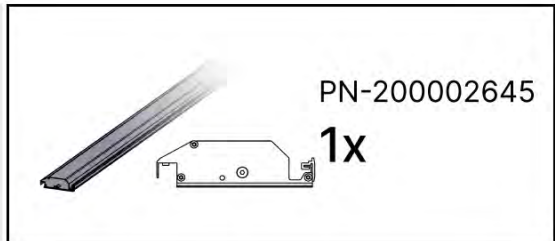


# 43



3

ANTHRACITE: L227  
WHITE: L231  
BLACK: L229

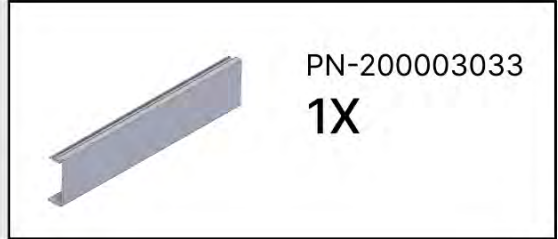


# 44

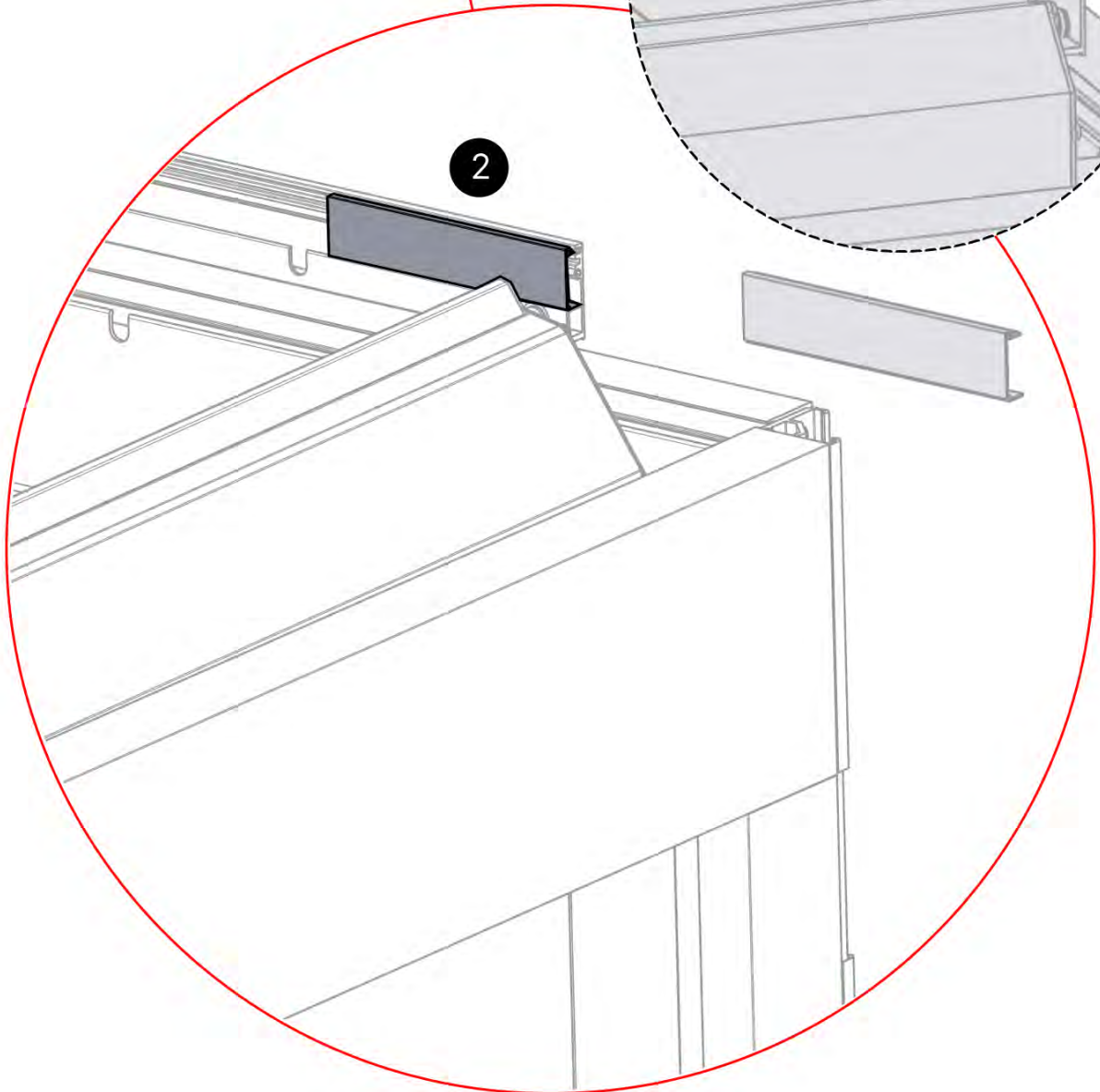
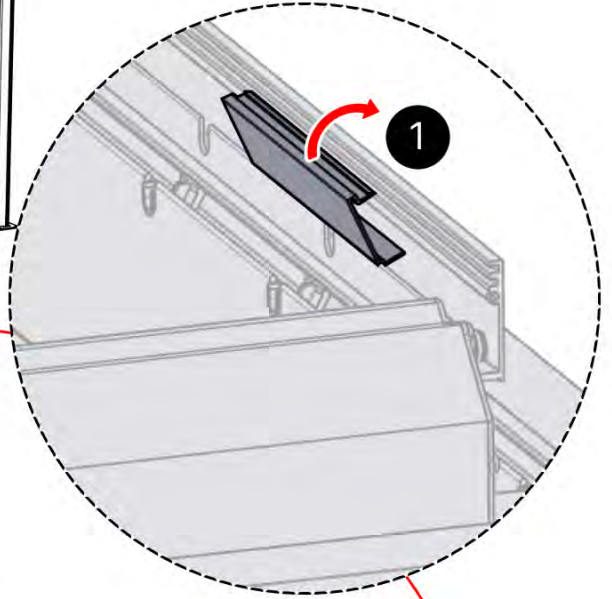
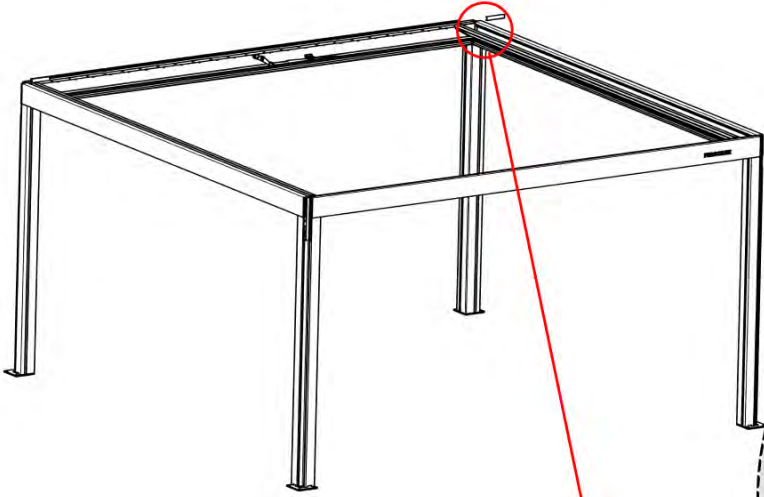


4

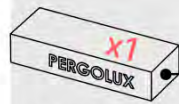
ANTHRACITE: B234  
WHITE: B242  
BLACK: B238



PN-200003033  
1X

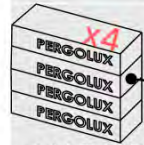


# 45



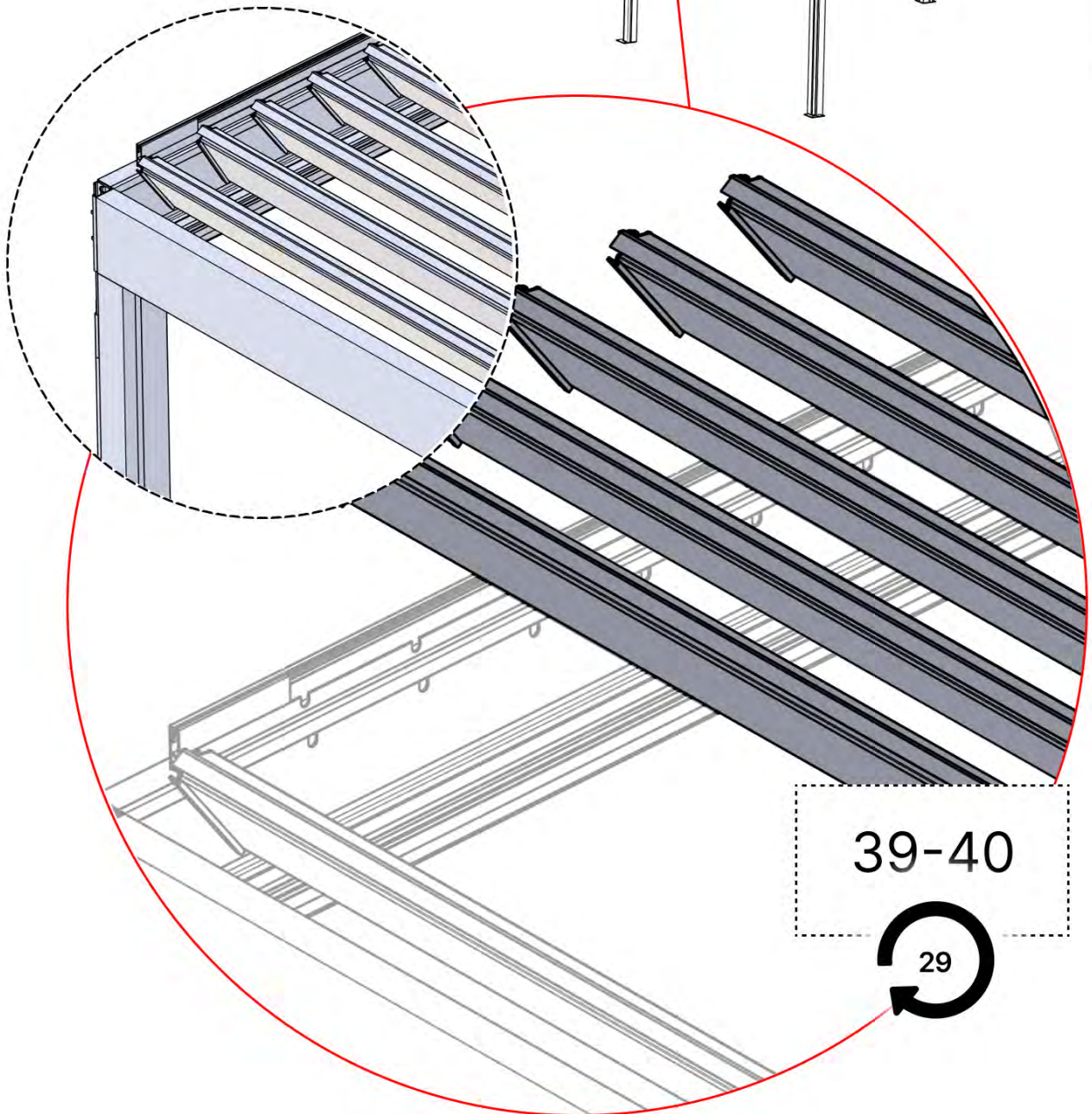
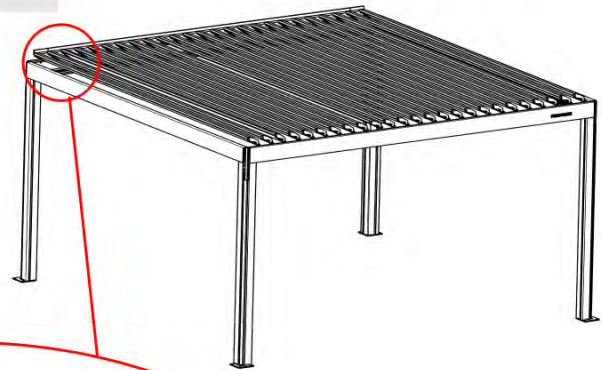
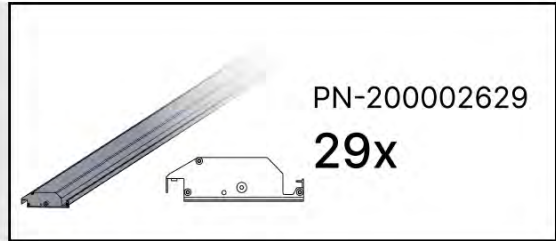
3

ANTHRACITE: L227  
WHITE: L231  
BLACK: L229

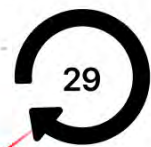


2

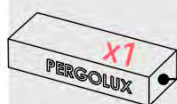
ANTHRACITE: L215  
WHITE: L219  
BLACK: L217



39-40

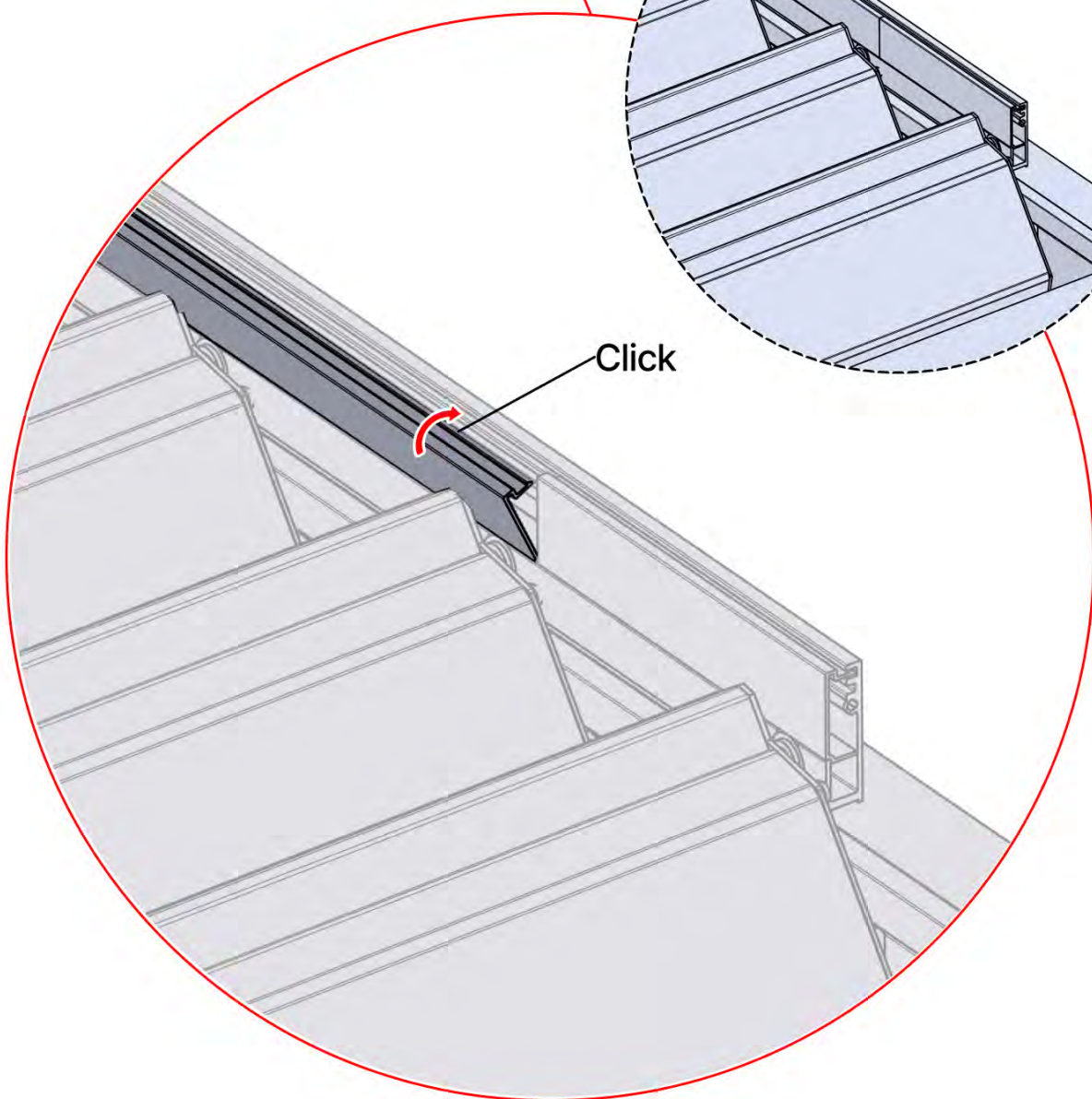
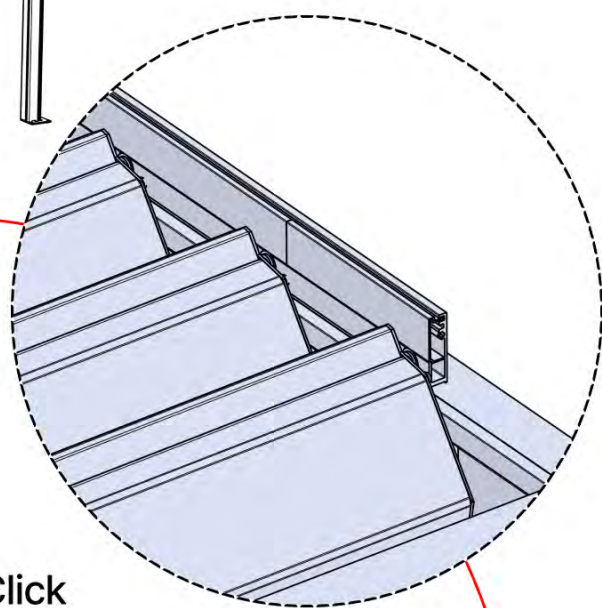
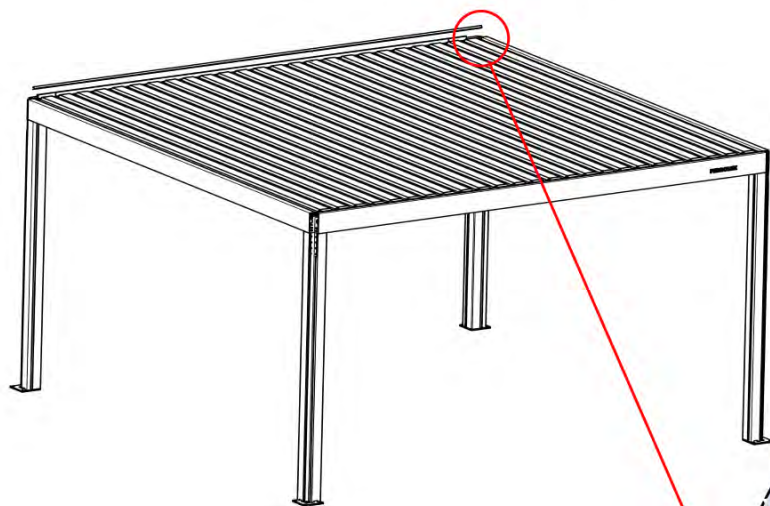
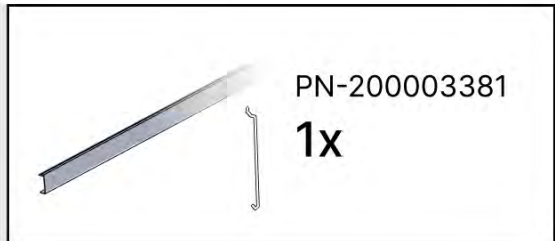


# 46

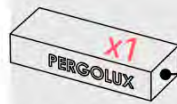


4

ANTHRACITE: B234  
WHITE: B242  
BLACK: B238

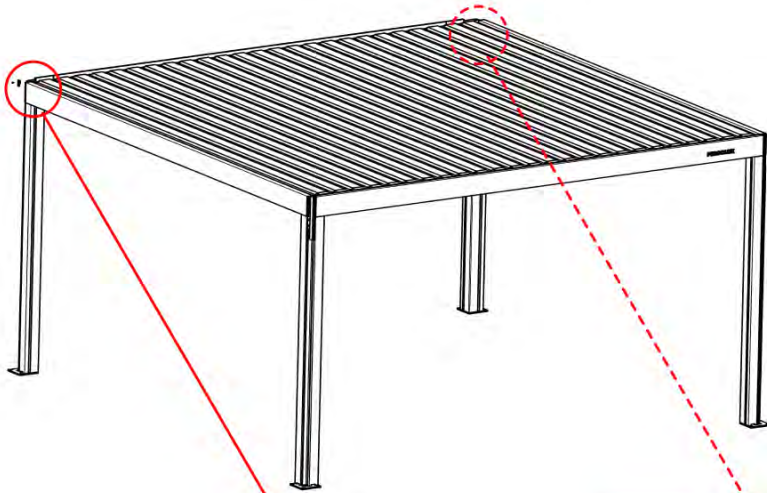


# 47



4

ANTHRACITE: B234  
WHITE: B242  
BLACK: B238



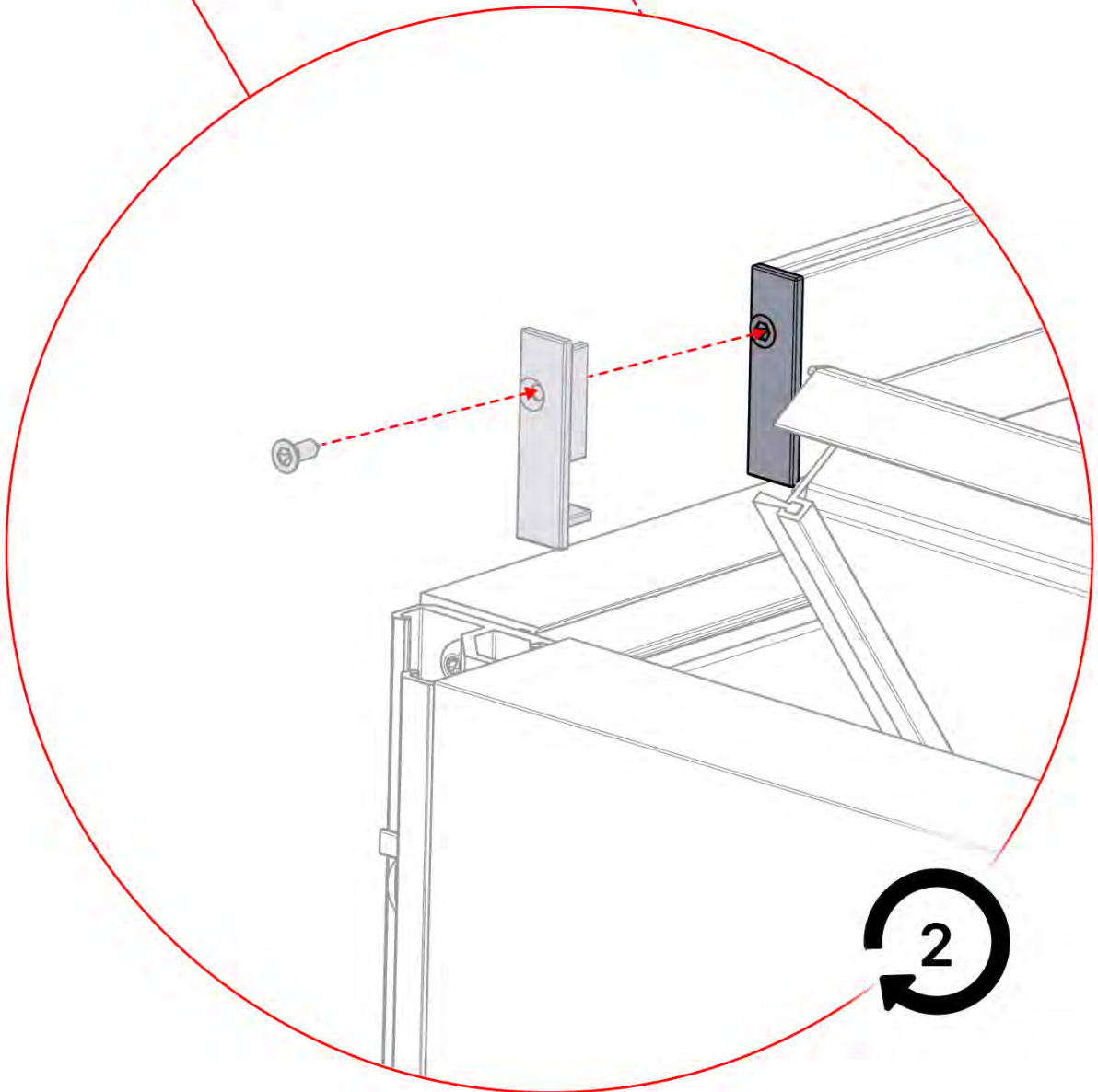
PN-200003030  
1x



PN-200003031  
1x



PN-200001207  
1x

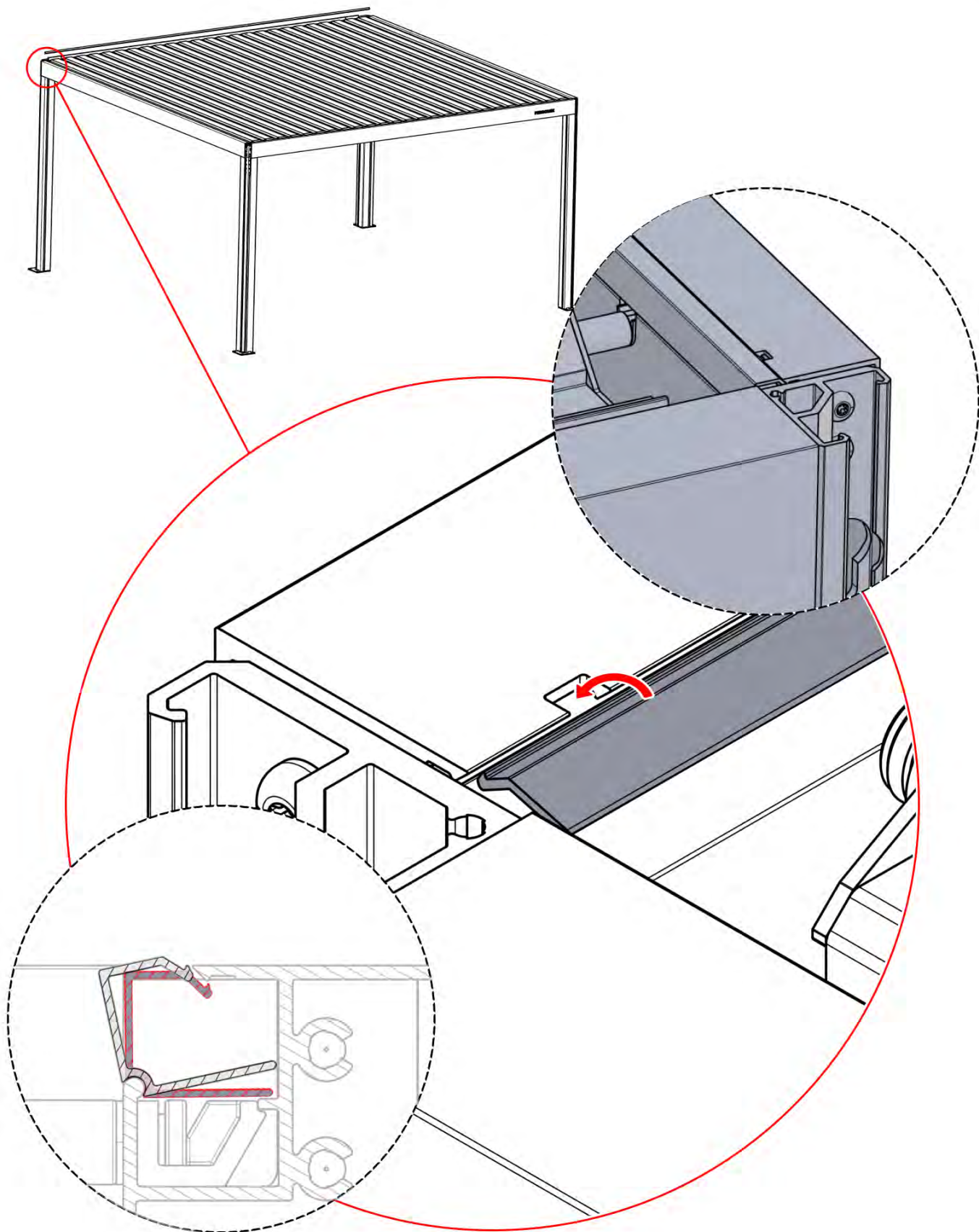
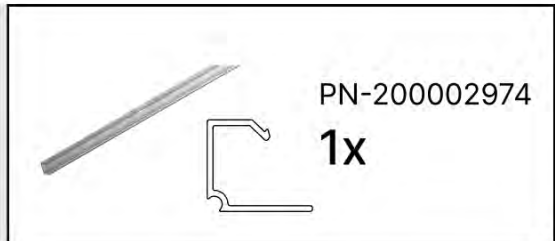


# 48



4

ANTHRACITE: B234  
WHITE: B242  
BLACK: B238

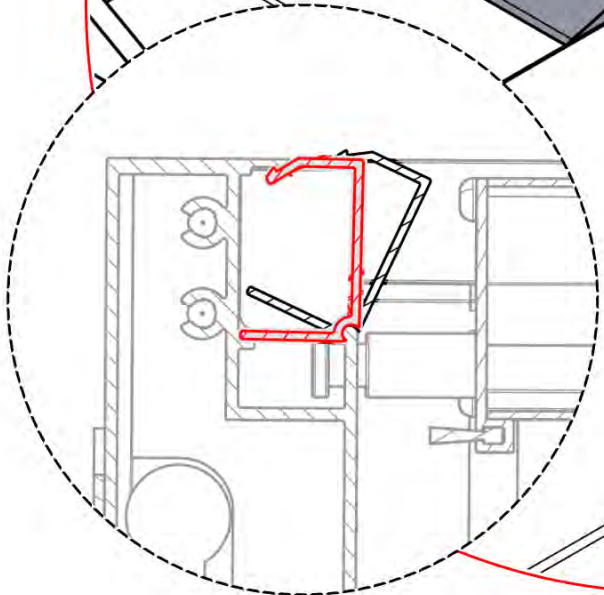
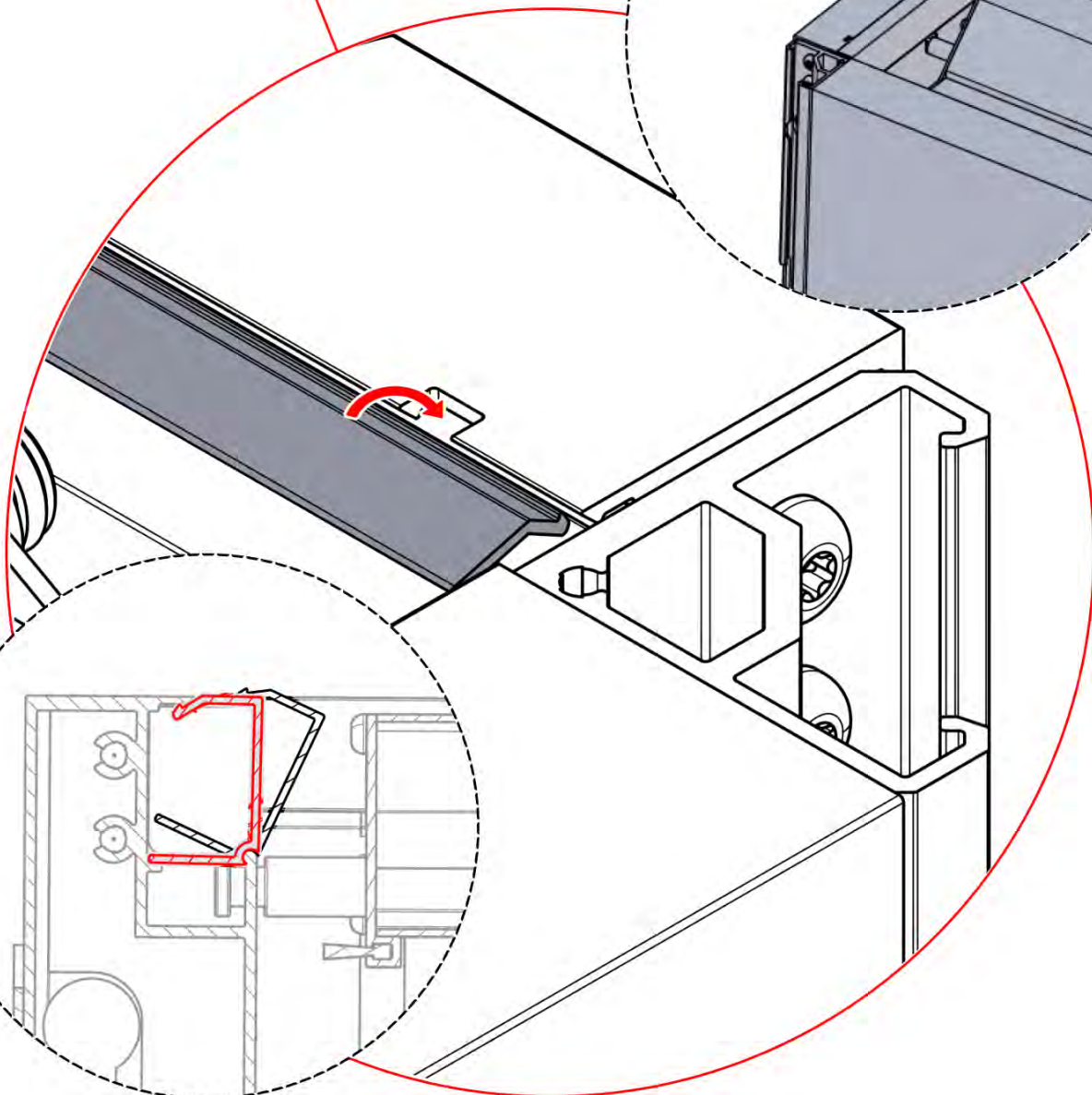
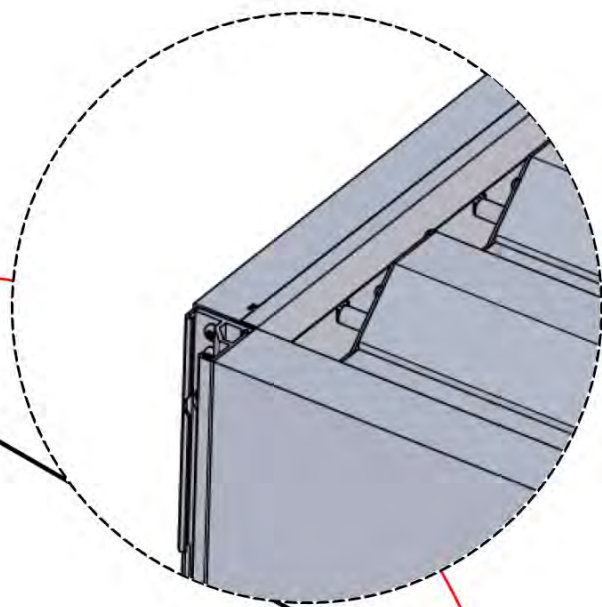
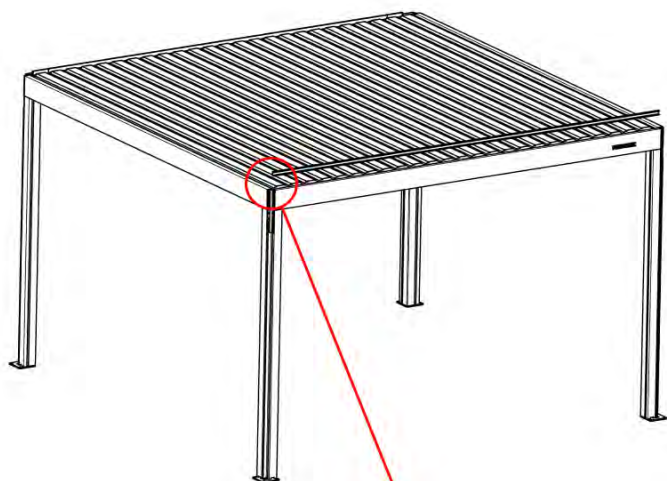
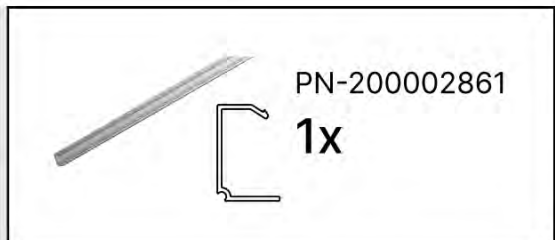


# 49



4

ANTHRACITE: B234  
WHITE: B242  
BLACK: B238




# 50


**x2**  
PERGOLUX  
PERGOLUX

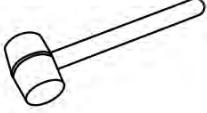
**1**


ANTHRACITE: C120  
WHITE: C122  
BLACK: C121

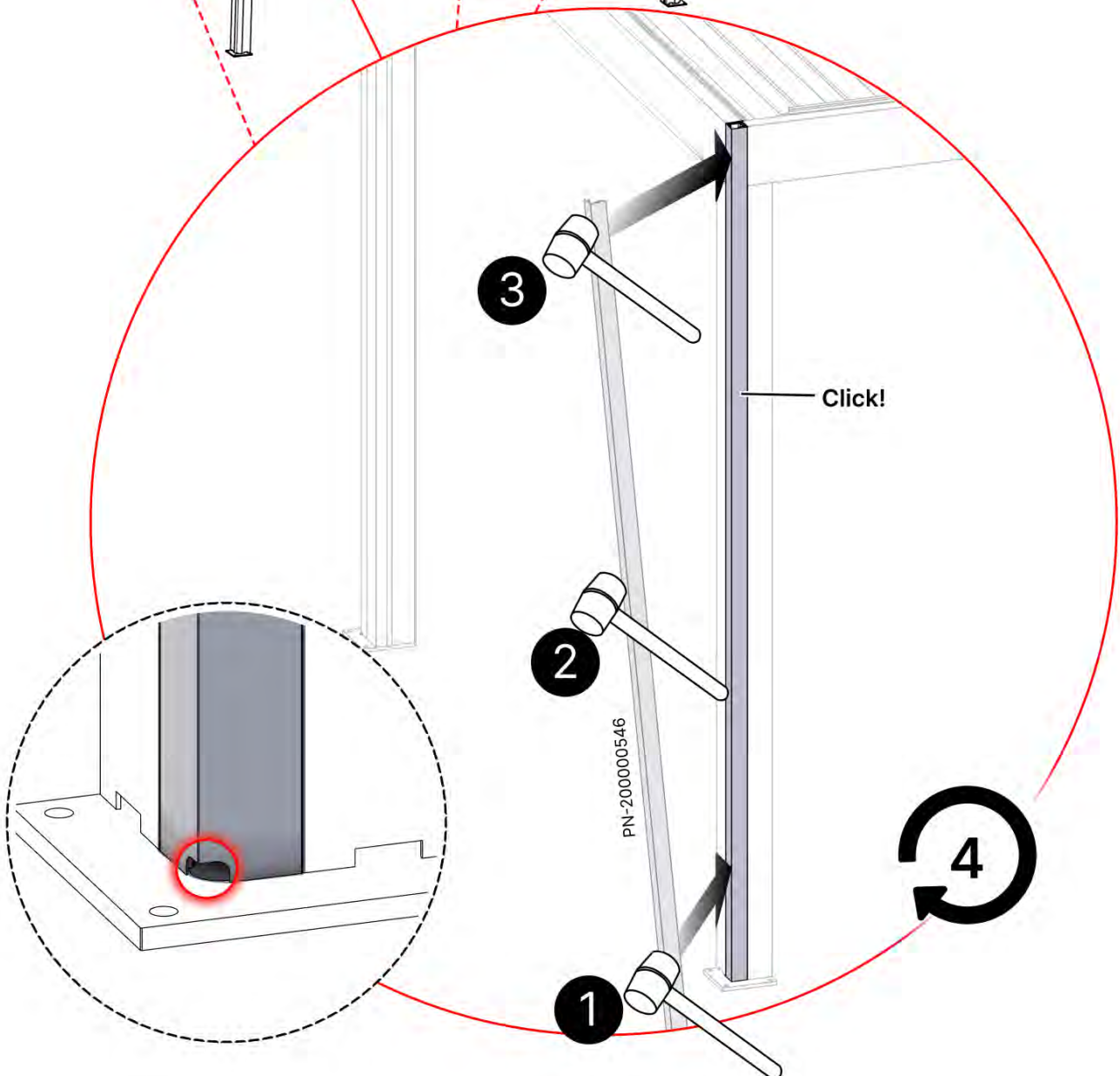
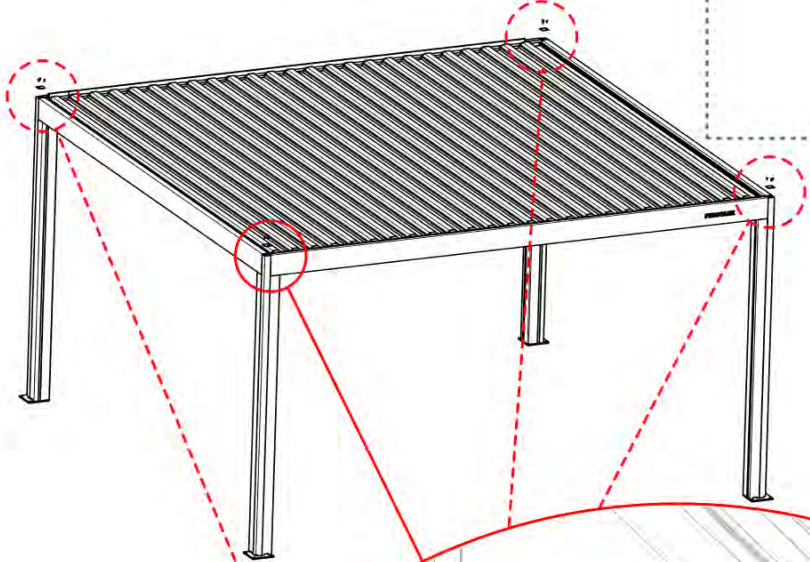
PN-200003386  
**2X**









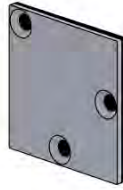


# 51



4

ANTHRACITE: B234  
WHITE: B242  
BLACK: B238

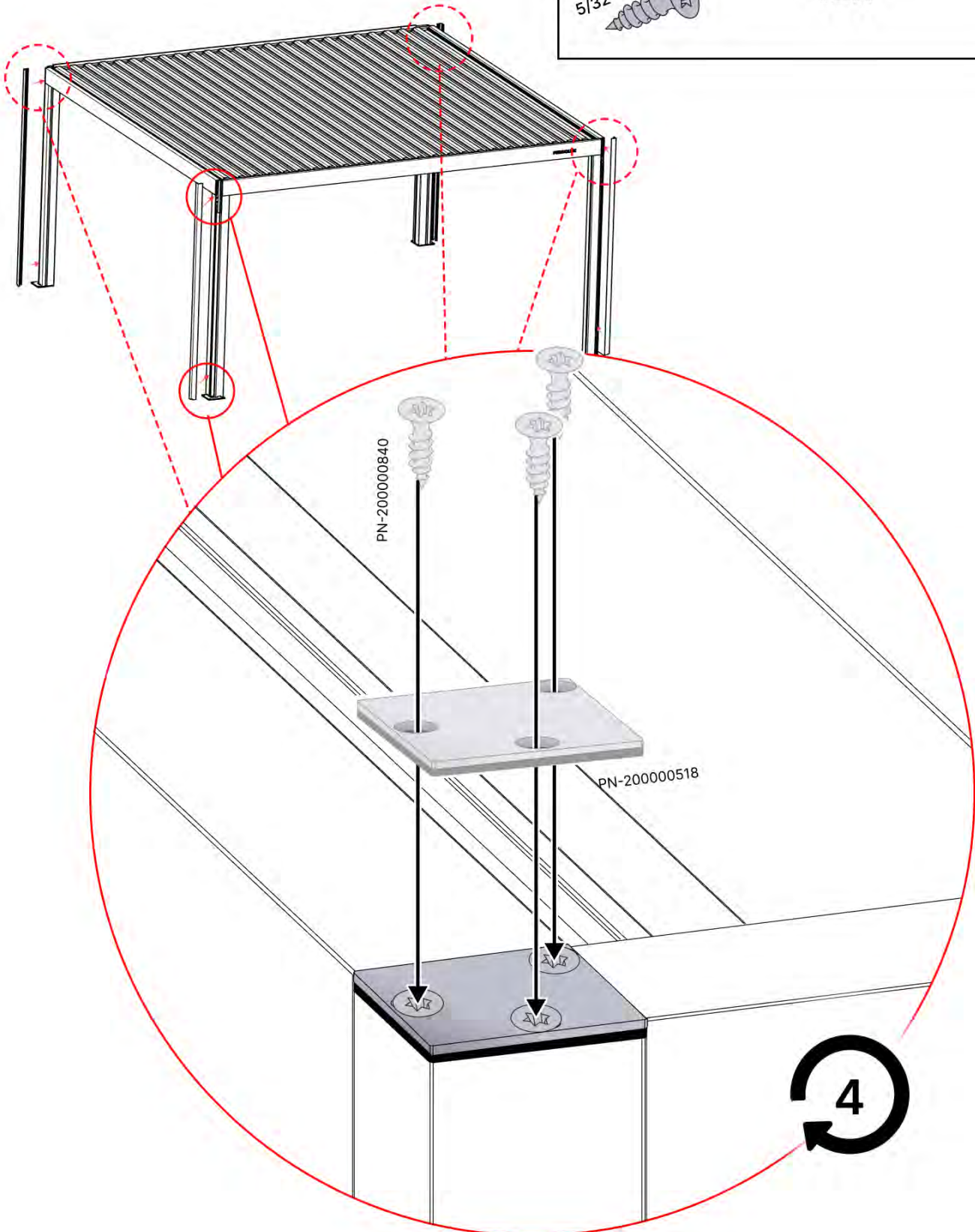
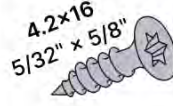


PN-200001514

4x

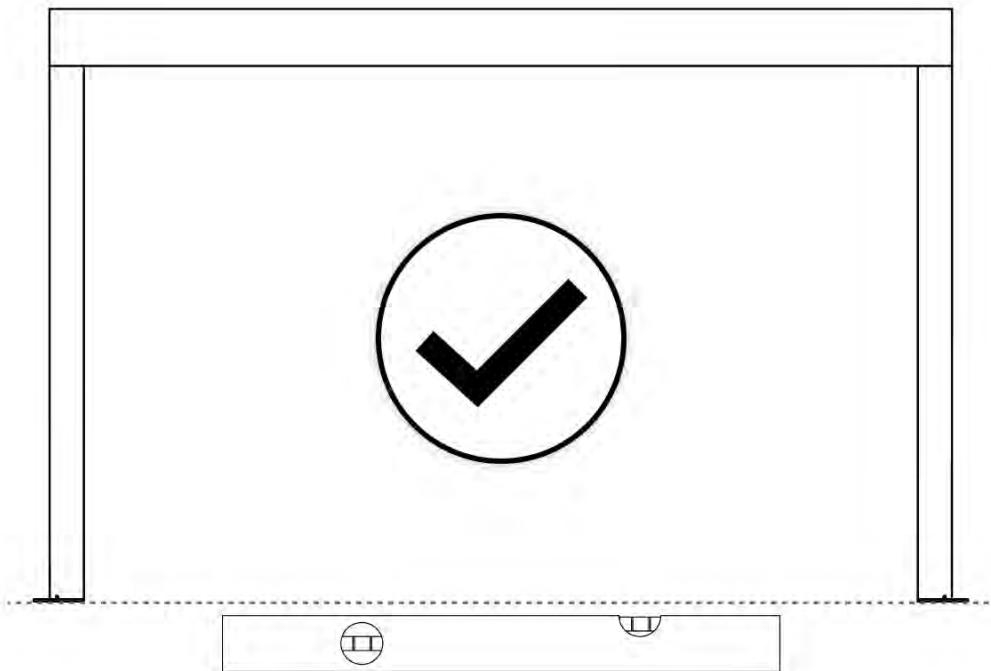
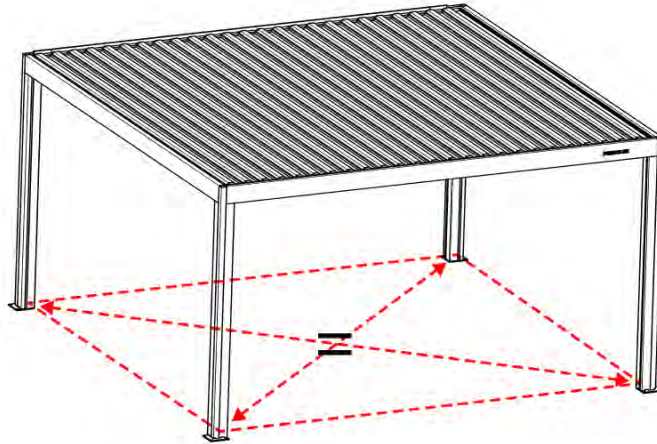
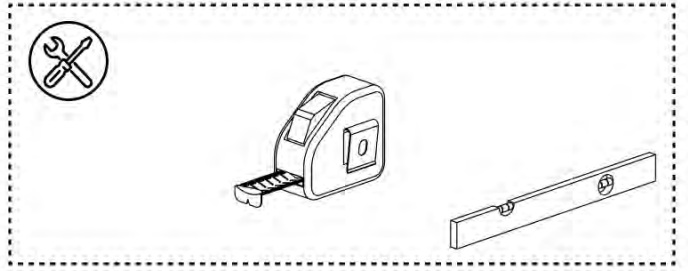
PN-200000840

12x

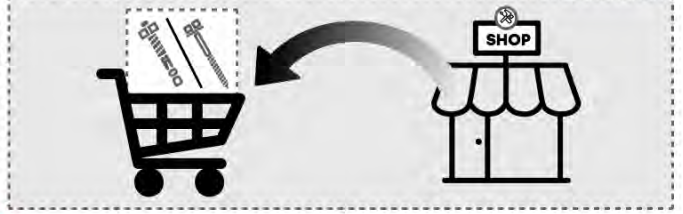
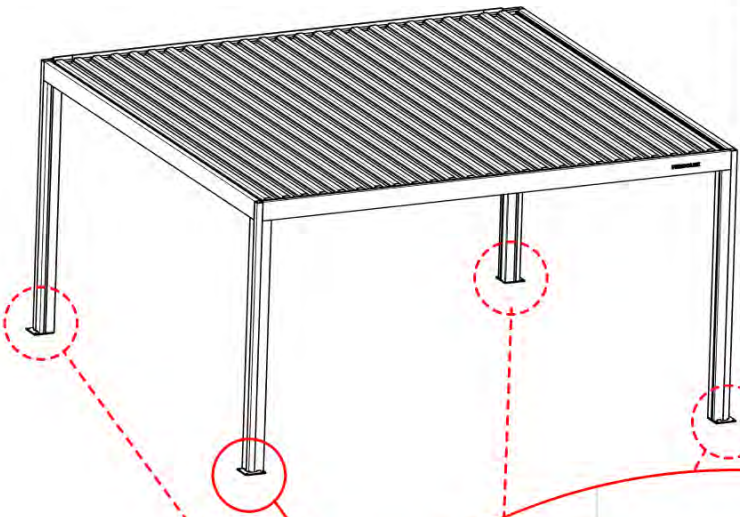
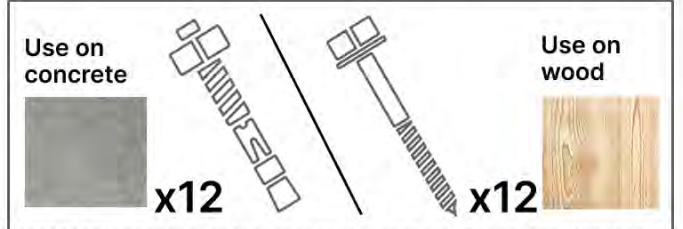
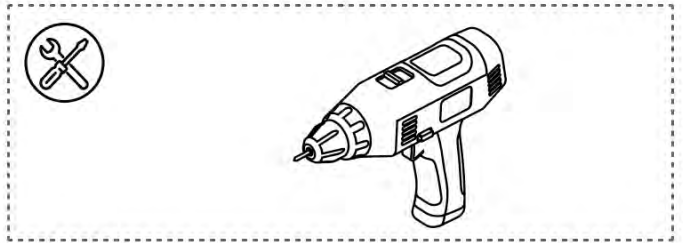


4

# 52



# 53



PERGOLUX | PERGOLA PRO FREESTANDING S4

3 X 5 M / 13' x 16'

