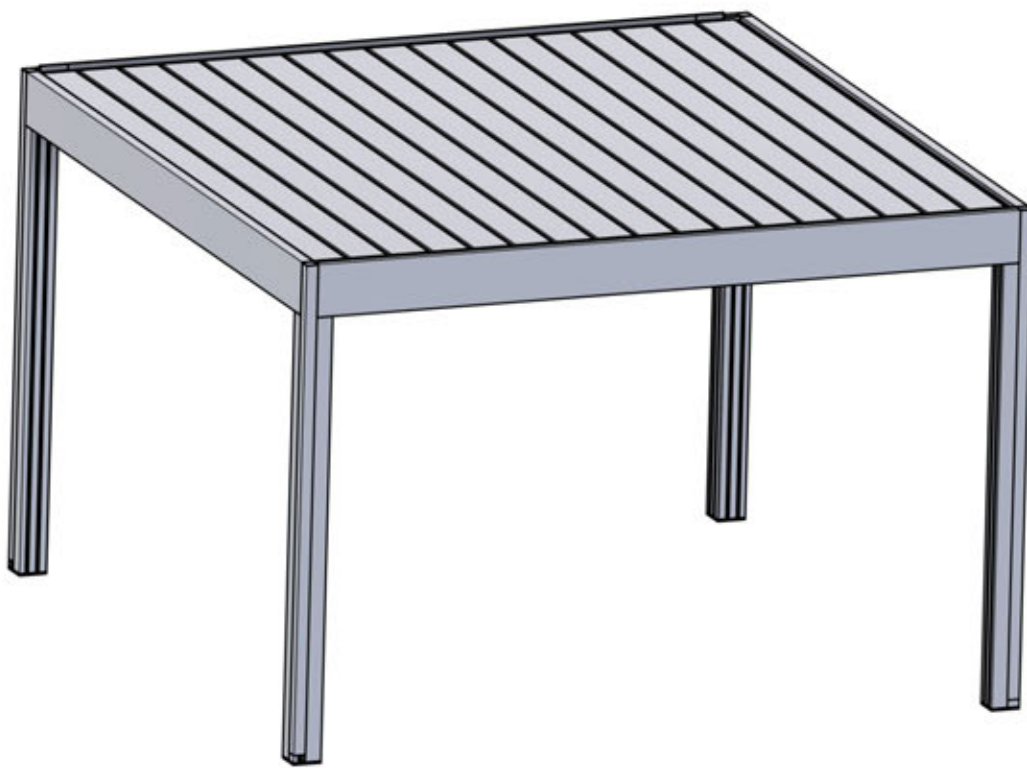


S4

PERGOLA

PRO MAX



4x4m/13'x13'
FREESTANDING

PERGOLUX



S4 PERGOLUX | PERGOLA PRO MAX FREESTANDING INFORMATION



INSTALLATION INSTRUCTIONS:

Ensure all parts are present and undamaged before starting the assembly.

Secure to a solid foundation with the correct fasteners for your foundation.

(If applicable) Install motors and wiring as shown. Ensure the electrical components are powered off during installation.

Use the correct lifting and installation equipment.

SAFETY WARNINGS:

Keep children and pets away during installation.

Do not operate the structure if parts are loose or improperly installed.

Ensure the structure is securely anchored to prevent accidents.

Do not insert fingers or any objects between the louvres.

MAINTENANCE:

Regularly clean the aluminum structure to maintain its appearance and prevent the accumulation of dirt.

Also, make sure to clean the gutters regularly. Inspect moving parts for wear and lubricate as necessary.

Check anchor points periodically to ensure stability.



INSTALLATIONSANLEITUNG:

Stellen Sie sicher, dass alle Teile vorhanden und unbeschädigt sind, bevor Sie mit der Montage beginnen.

Befestigen Sie sie mit den richtigen Befestigungselementen für Ihr Fundament auf einem soliden Fundament.

(Falls zutreffend) Installieren Sie Motoren und Verkabelung wie gezeigt. Stellen Sie sicher, dass die elektrischen Teile während der Installation ausgeschaltet sind.

Verwenden Sie die richtige Hebe- und Installationsausrüstung.

SICHERHEITSHINWEISE:

Halten Sie Kinder und Haustiere während der Installation fern.

Betreiben Sie die Struktur nicht, wenn Teile lose oder nicht richtig installiert sind.

Stellen Sie sicher, dass die Struktur sicher verankert ist, um Unfälle zu vermeiden.

Stecken Sie keine Finger oder andere Gegenstände zwischen die Lamellen.

WARTUNG:

Reinigen Sie die Aluminiumstruktur regelmäßig, um ihr Aussehen zu erhalten und die Ansammlung von Schmutz zu verhindern.

Reinigen Sie auch die Dachrinnen regelmäßig. Überprüfen Sie bewegliche Teile auf Verschleiß und schmieren Sie sie bei Bedarf.

Überprüfen Sie die Ankerpunkte regelmäßig, um die Stabilität sicherzustellen.



Pergolux GmbH, 9 Goethestraße,
36043 Fulda,
Germany

26

DOP-MAX-FSWM-S4

EN 13561:2015

Pergolux Pergola PRO MAX S4
External use in buildings and other
construction works

Resistance to wind loads: Class6(EN13561)

SYMBOL EXPLANATION



Indicates the outside of the pergola structure.



This step may require extra force.



Indicates the inside of the pergola structure.



Key information to follow during installation.



Important! Be cautious when assembling or handling this part.



This item must be purchased separately.



Required tools for assembly.



Apply lubricant to make screw assembly easier.



Ensure grounding is connected before powering up.



Do not use a regular hammer, as it may cause damage.



Align slats according to sunlight direction for optimal shading.



AC Input



Repeat this step as many times as the number indicates

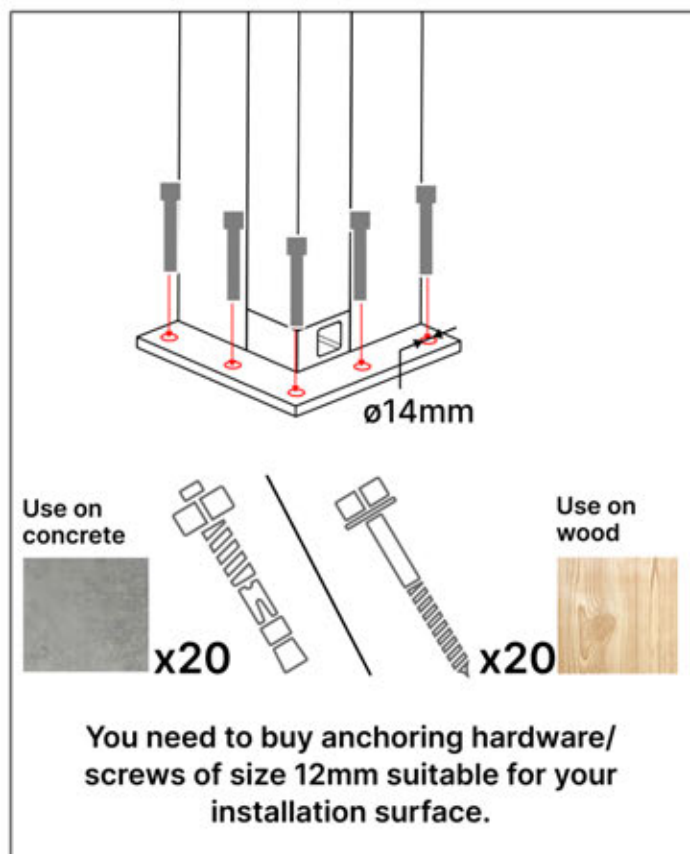


Motor



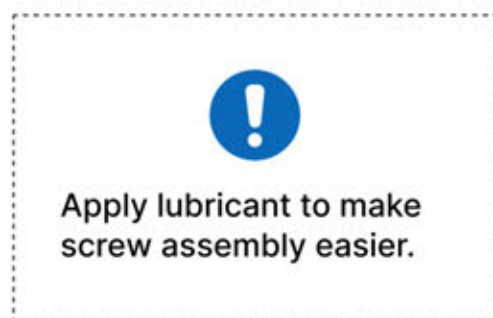
Turn around

INFORMATION

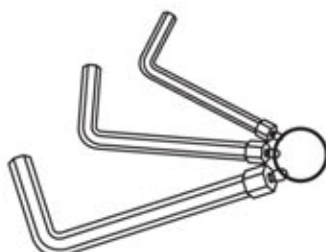
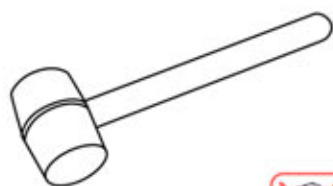


All screws from **PERGOLUX** are made of stainless steel, ensuring durability and resistance to rust. To prevent damage to screws, follow these guidelines:

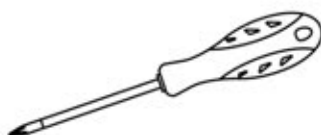
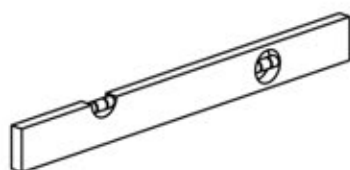
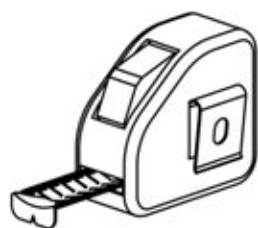
- **DO NOT OVERTIGHTEN:** Apply appropriate force to avoid stripping the threads.
- **CHOOSE THE CORRECT TOOL:** Use the proper screwdriver or bit to avoid damaging the screw head.
- **ENSURE PROPER USE:** With correct installation, screws will maintain their integrity and functionality over time.
- **USE LUBRICATION:** Apply lubricant to make screw assembly easier.



INFORMATION

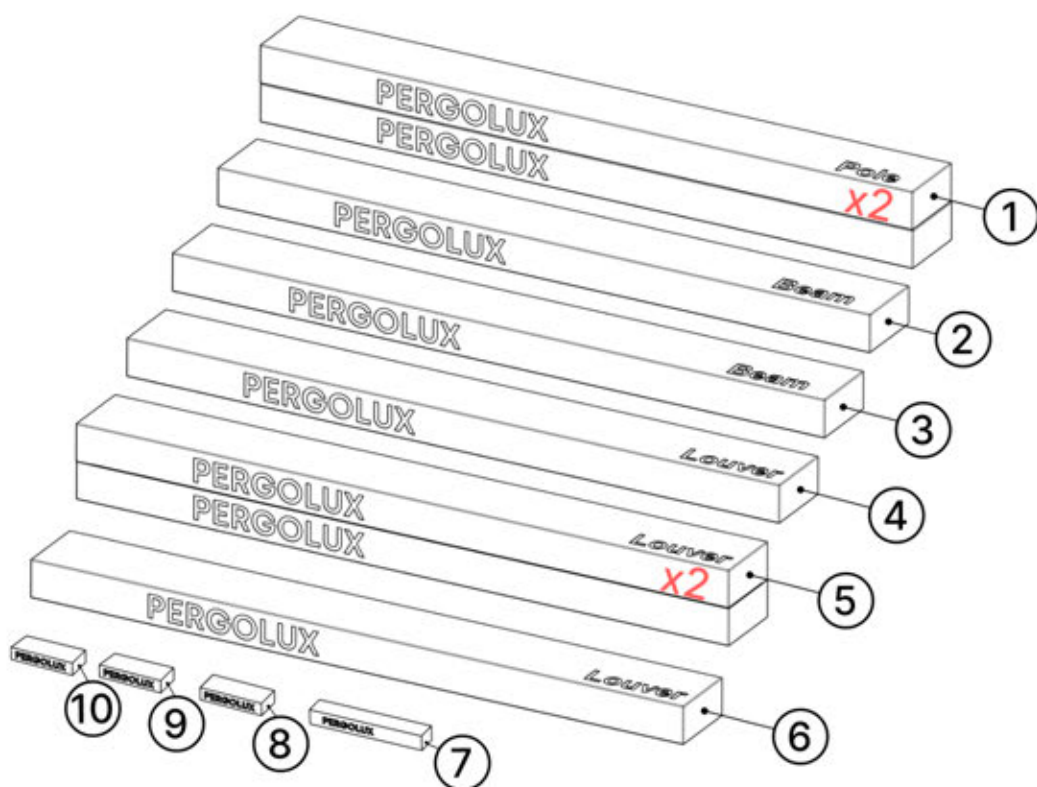


3mm, 4mm, 5mm



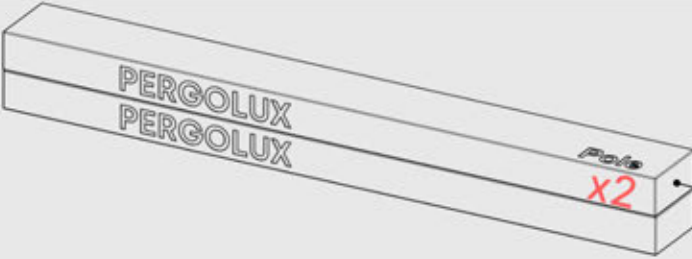
TX15, TX20, TX25, TX30

PACKAGE OVERVIEW

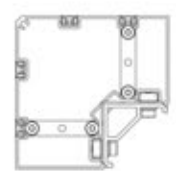


ORDER	ANTHRACITE	WHITE	BLACK
①	C126	C127	C128
②	B284	B288	B292
③	B308	B310	B312
④	L264	L268	L266
⑤	L252	L256	L254
⑥	L240	L244	L242
⑦	ELECTRIC MOTOR		
⑧	CONTROL BOX		
⑨	POWER CABLE		
⑩	LED BOX		

ITEMS IN BOX

	ANTHRACITE	WHITE	BLACK
	C126	C127	C128

1



PN-200002467
4x



PN-200002301
4x









PN-200003584
4x




PN-200002299
4x


ITEMS IN BOX

	ANTHRACITE	WHITE	BLACK
	B284	B288	B292
			PN-200003491 1x
			PN-200003490 1x
			PN-200002347 2x
			PN-200002350 1x
			PN-200002357 1x






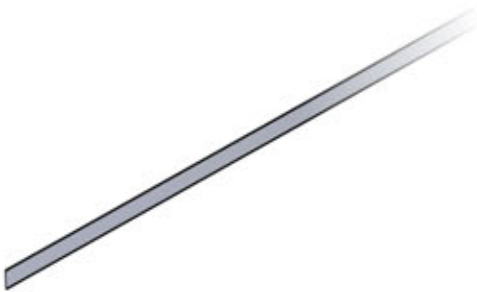
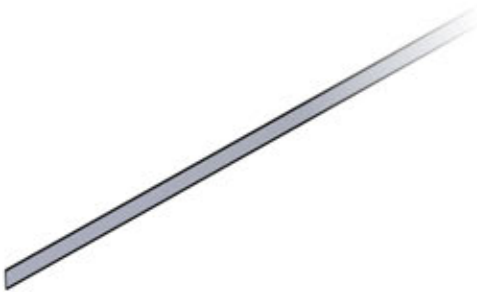



ITEMS IN BOX

	ANTHRACITE	WHITE	BLACK
	B284	B288	B292


2

		PN-200002360 1x
		PN-200002348 1x
		PN-200002323 2x

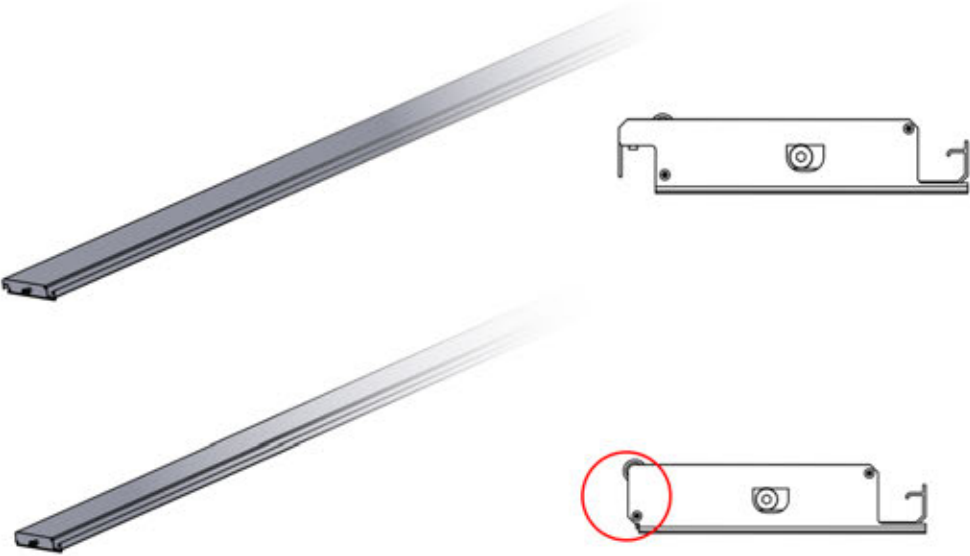
ITEMS IN BOX

	ANTHRACITE	WHITE	BLACK
	B308	B310	B312
			
 			PN-200003486 2x
 			PN-200002347 2x
 			Premounted PN-200002352 2x
 			PN-200002323 2x

ITEMS IN BOX




	ANTHRACITE	WHITE	BLACK
	L264	L268	L266

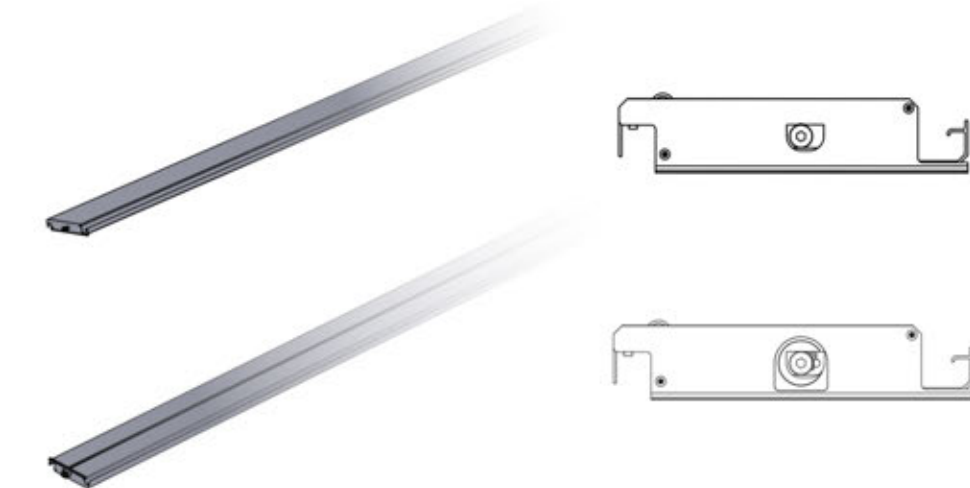


Standard = **(S)**
 PN-200002366
4x

End = **(E)**
 PN-200002362
1x




	ANTHRACITE	WHITE	BLACK
	L252	L256	L254

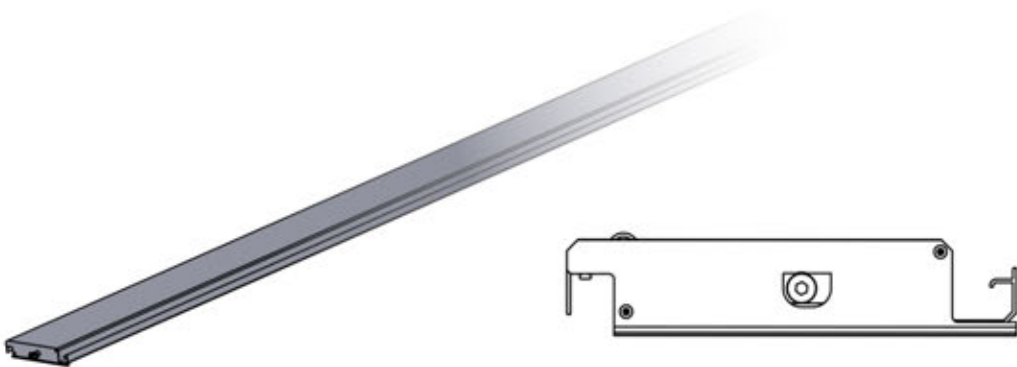


Standard = **(S)**
 PN-200002366
4x

LED = **(L)**
 PN-200002364
4x

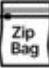
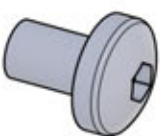

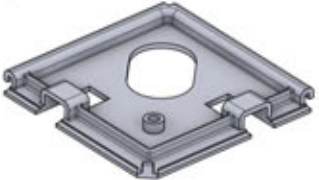
ITEMS IN BOX

	ANTHRACITE	WHITE	BLACK
	6	L240	L244

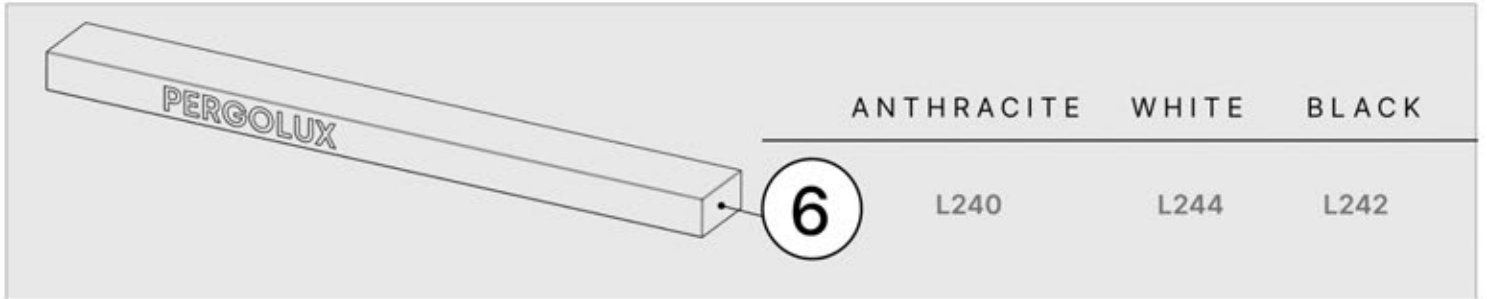


Standard = **S**
 PN-200002366
4x

 PN-20000 3278  150mm	PN-200003033 2x		PN-200003031 1x
	PN-200003030 1x	 4.2x12	PN-200001207 2x

 PN-20000 3755 	PN-200000655 8x	 PN-20000 3758 	PN-200002284 4x
--	---------------------------	---	---------------------------

ITEMS IN BOX



Zip Bag
PN-20000
3757



PN-200002282
4x



PN-200002298
4x



PN-200000832
4x

Zip Bag
PN-20000
3496



PN-200002289
4x

Zip Bag
PN-20000
3756



PN-200000958
4x

Zip Bag
PN-20000
3750



PN-200003051
8x



PN-200003050
8x



PN-200003049
8x

Zip Bag
PN-20000
3759

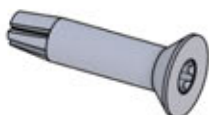


PN-200002291
4x

Zip Bag
PN-20000
3497



PN-200002329
4x

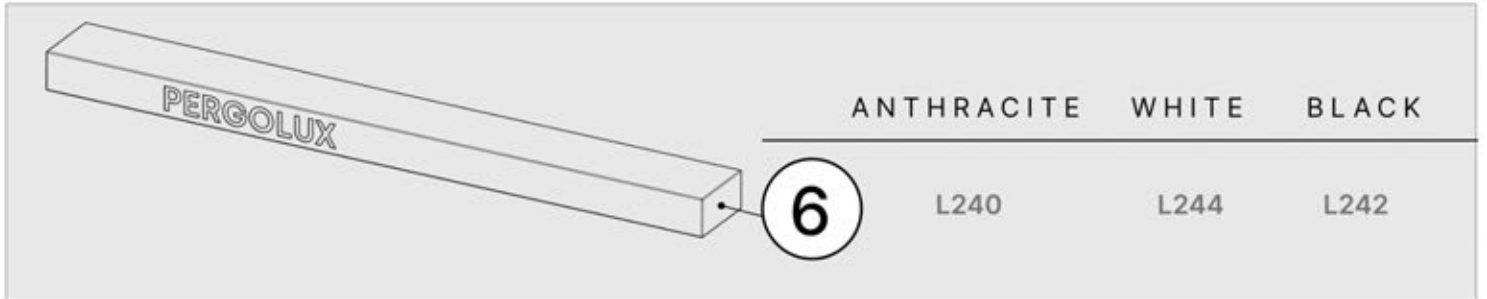












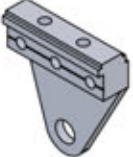

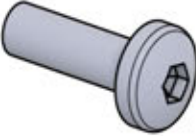


PN-200002318
12x




PN-200000852
8x

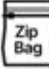


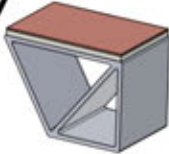
ITEMS IN BOX

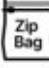


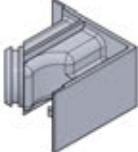


 	PN-200002355 1x		PN-200002333 1x
	PN-200002328 2x		PN-200002327 1x
	PN-200003500 1x		PN-200002324 1x
	PN-200002321 1x		PN-200002330 1x
	PN-200002325 1x		PN-200002340 1x
	PN-200002341 3x		PN-200000832 4x
	PN-200002326 1x		PN-200002134 2x

ITEMS IN BOX

	ANTHRACITE	WHITE	BLACK
	L240	L244	L242

 PN-20000 3495	 PN-200002311 40x	 PN-20000 3767	 PN-200002286 8x
---	--	---	--

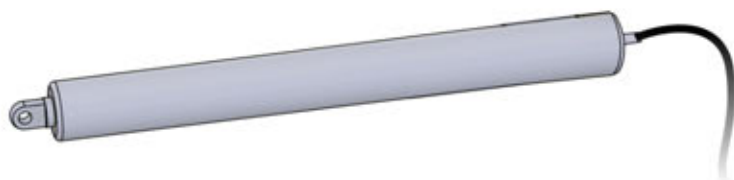
 PN-20000 3768	 PN-200002911 4x	 PN-200002297 4x
	 PN-200002303 4x	

ITEMS IN BOX



7

ELECTRIC MOTOR



Electric motor
PN-200001562
1x



PN-200003773

1x



PN-200001624

1x



PN-200001625

2x

ITEMS IN BOX



8

CONTROL BOX



Control box

1x



PN-200002756

1x



Matter antenna clip

1x



PN-200002754

1x



PN-200002684

10x



PN-200002758

1x



PN-200002683

5x



PN-200002753

2x



QR-code

1x



PN-200002759

2x



3M tape

1x



PN-200002757

1x

ITEMS IN BOX



9

POWER CABLE



PN-200003781

1x



10

LED BOX

Zip Bag
PN-20000
3825



LED STRIP

4x



4 LED HARNESS

1x



All electric parts should be tested before installation.

LEDs + Motor (and heater) should be connected to the Control box and programmed to ensure functionality.

Matter + Smart home can be connected at anytime by simply scanning the QR code provided

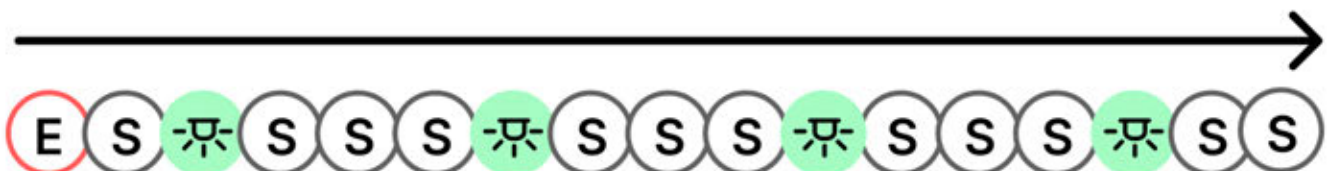
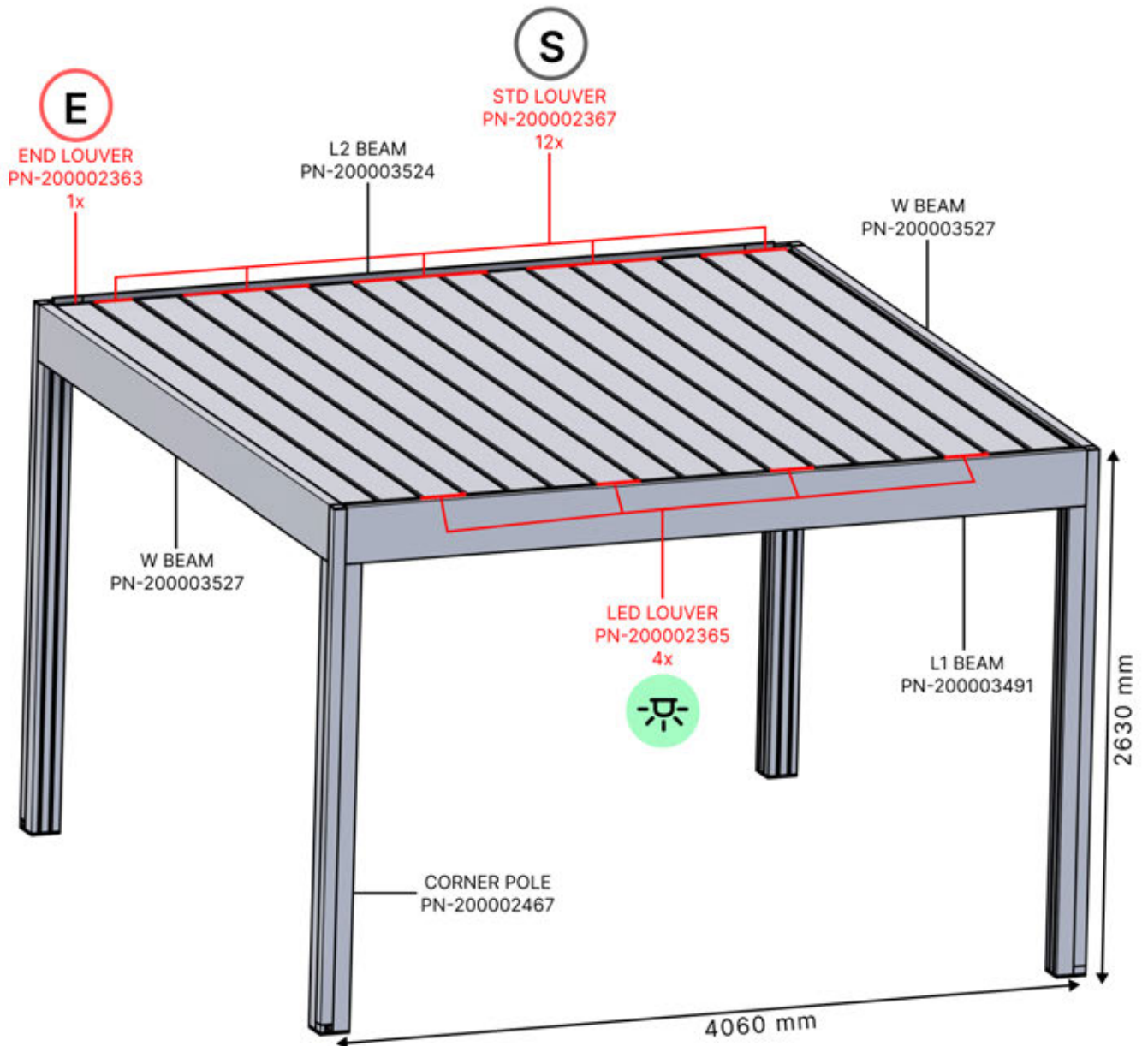


CONTROL BOX

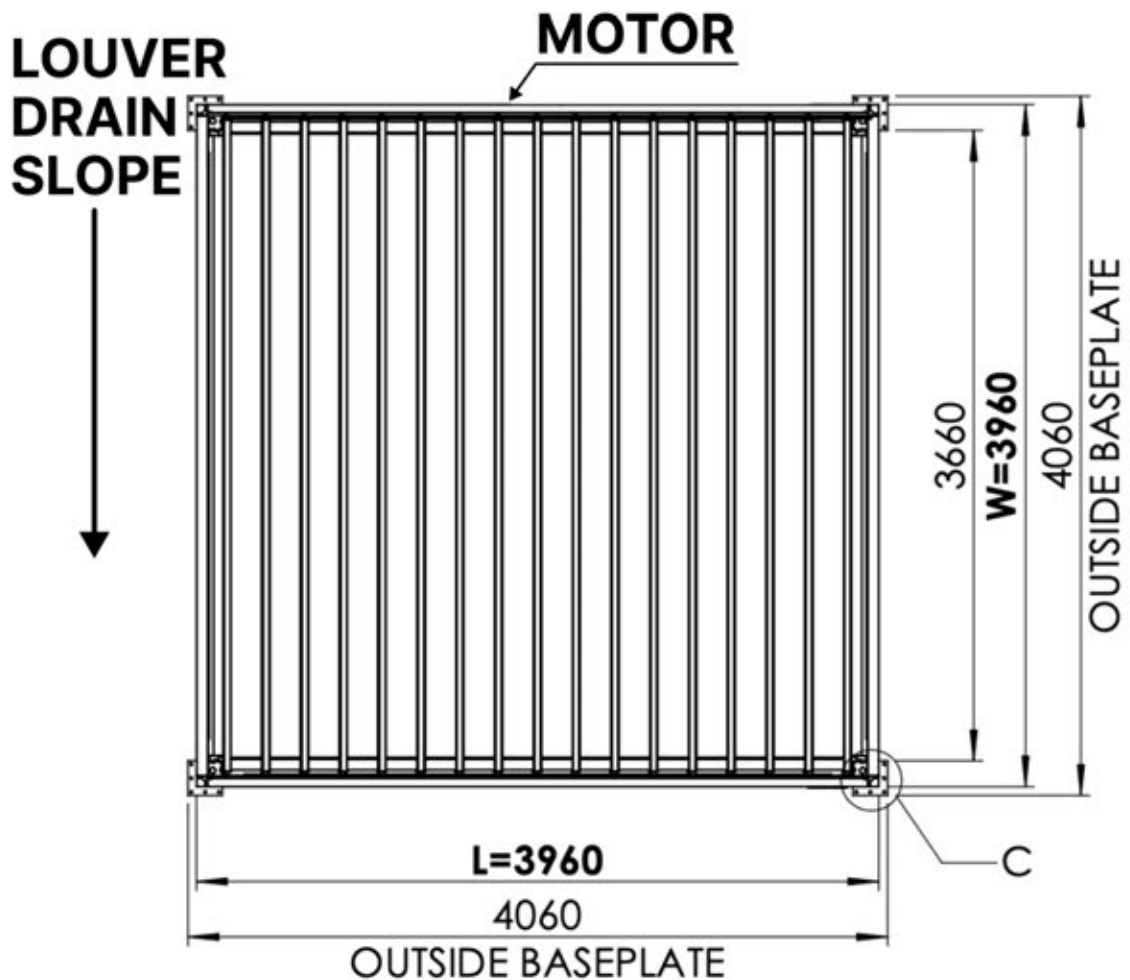
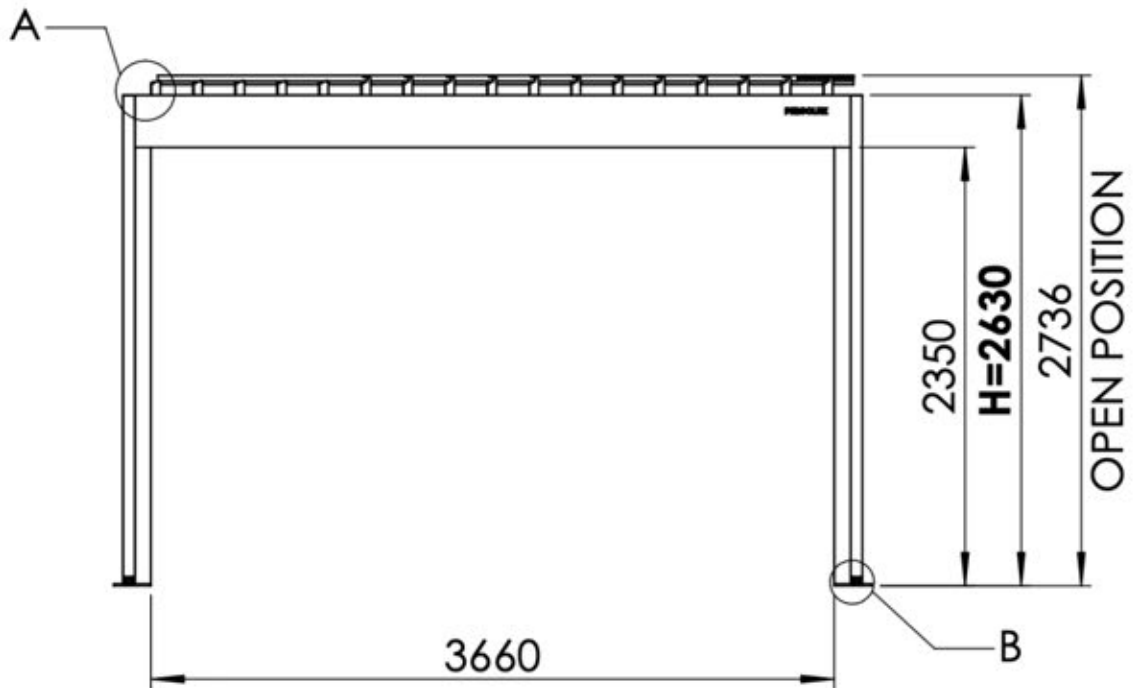
[View Manual](#)

S4 PERGOLUX | PERGOLA PRO MAX FREESTANDING

4 x 4 m / 13' x 13'



4 × 4 m / 13' x 13'



INFORMATION

Are you installing a screen, slat wall or glass wall?

It is recommended to remove these Snapfit covers and clips now before installing the pergola.

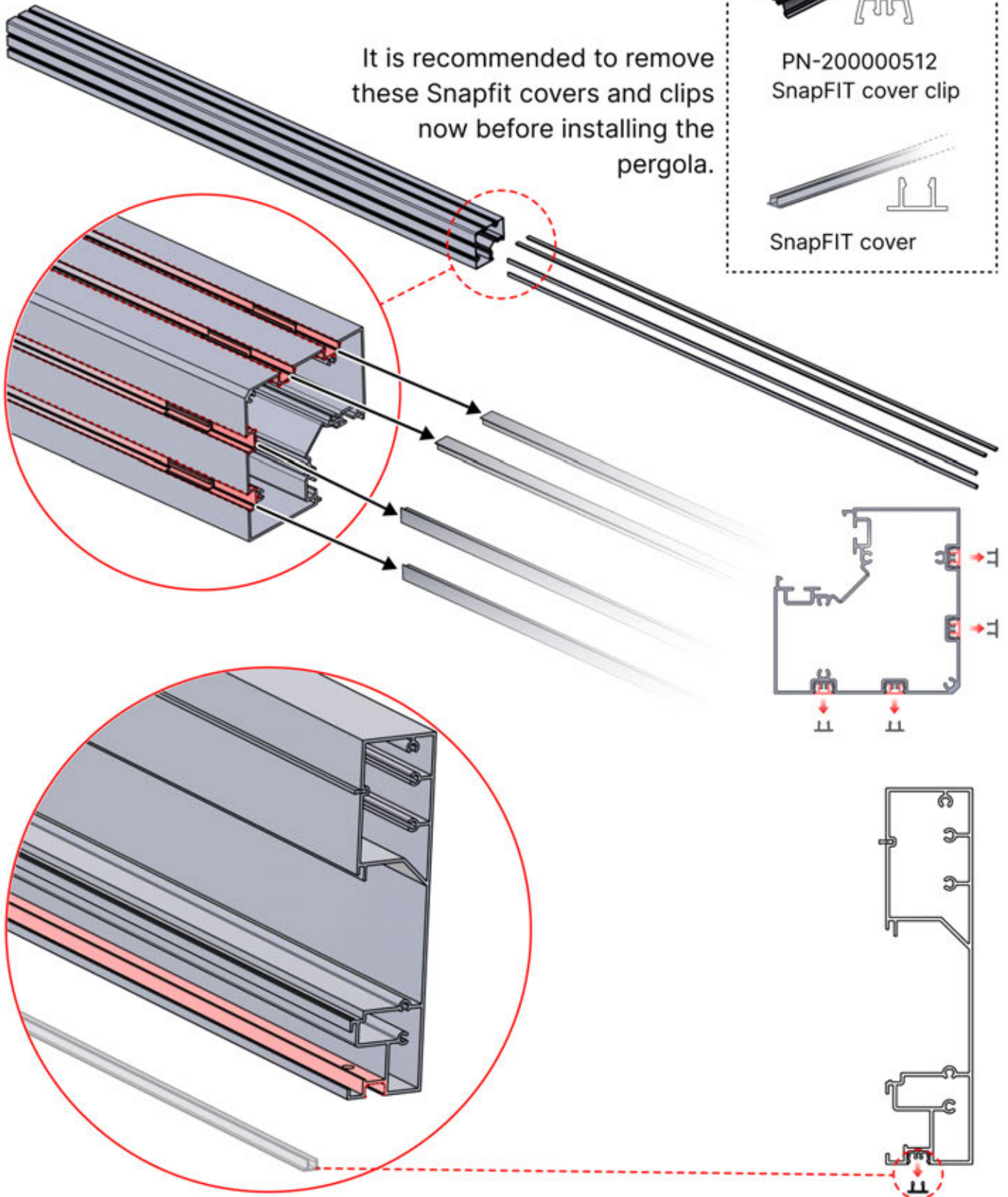
Cover and clips



PN-200000512
SnapFIT cover clip



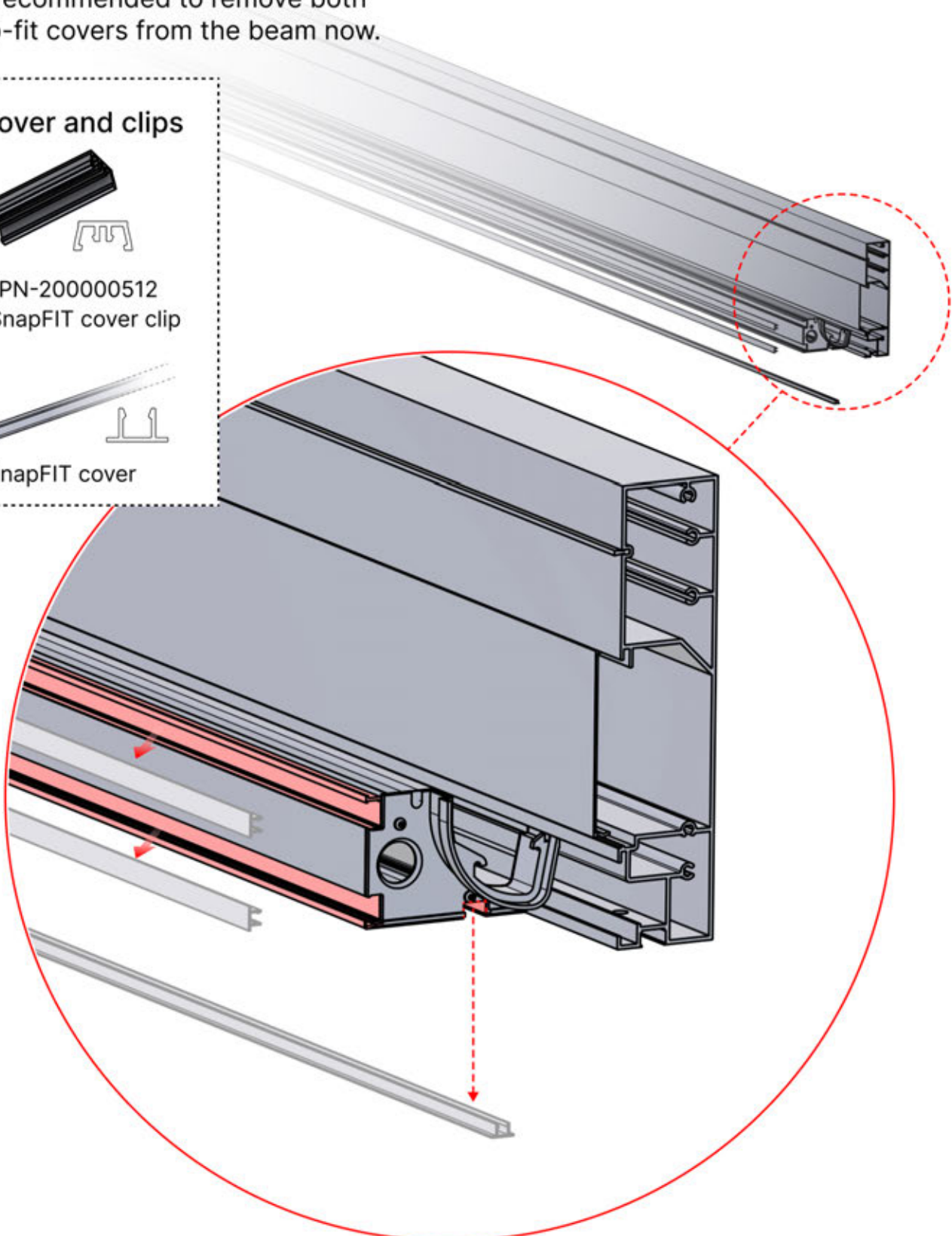
SnapFIT cover



INFORMATION

Are you installing a heater or fan ?

It is recommended to remove both snap-fit covers from the beam now.



INFORMATION

x1
PERGOLUX

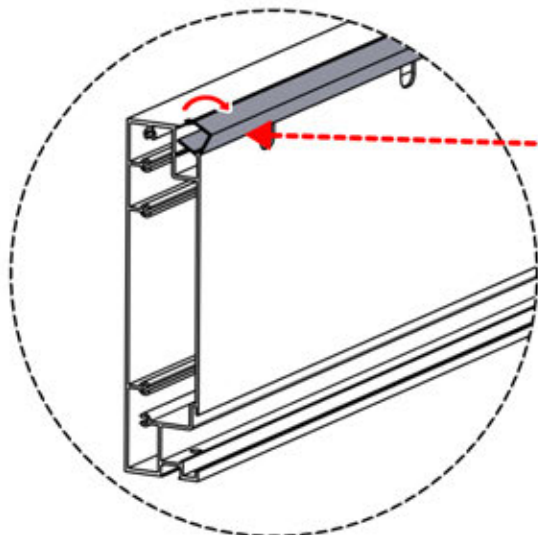
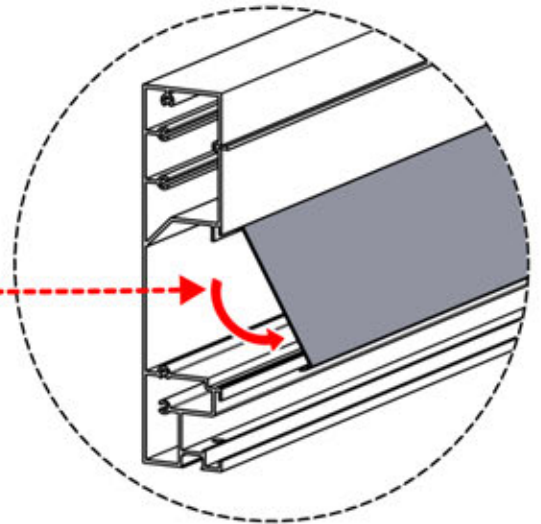
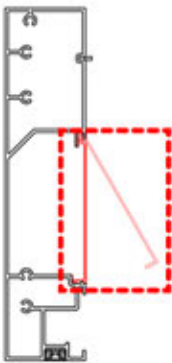
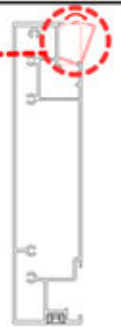
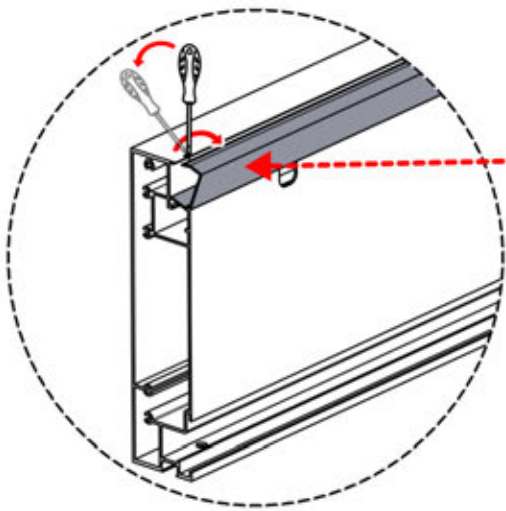
2

ANTHRACITE: B284
WHITE: B288
BLACK: B292


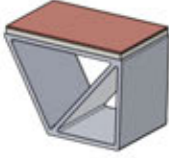
PN-200003490
1x

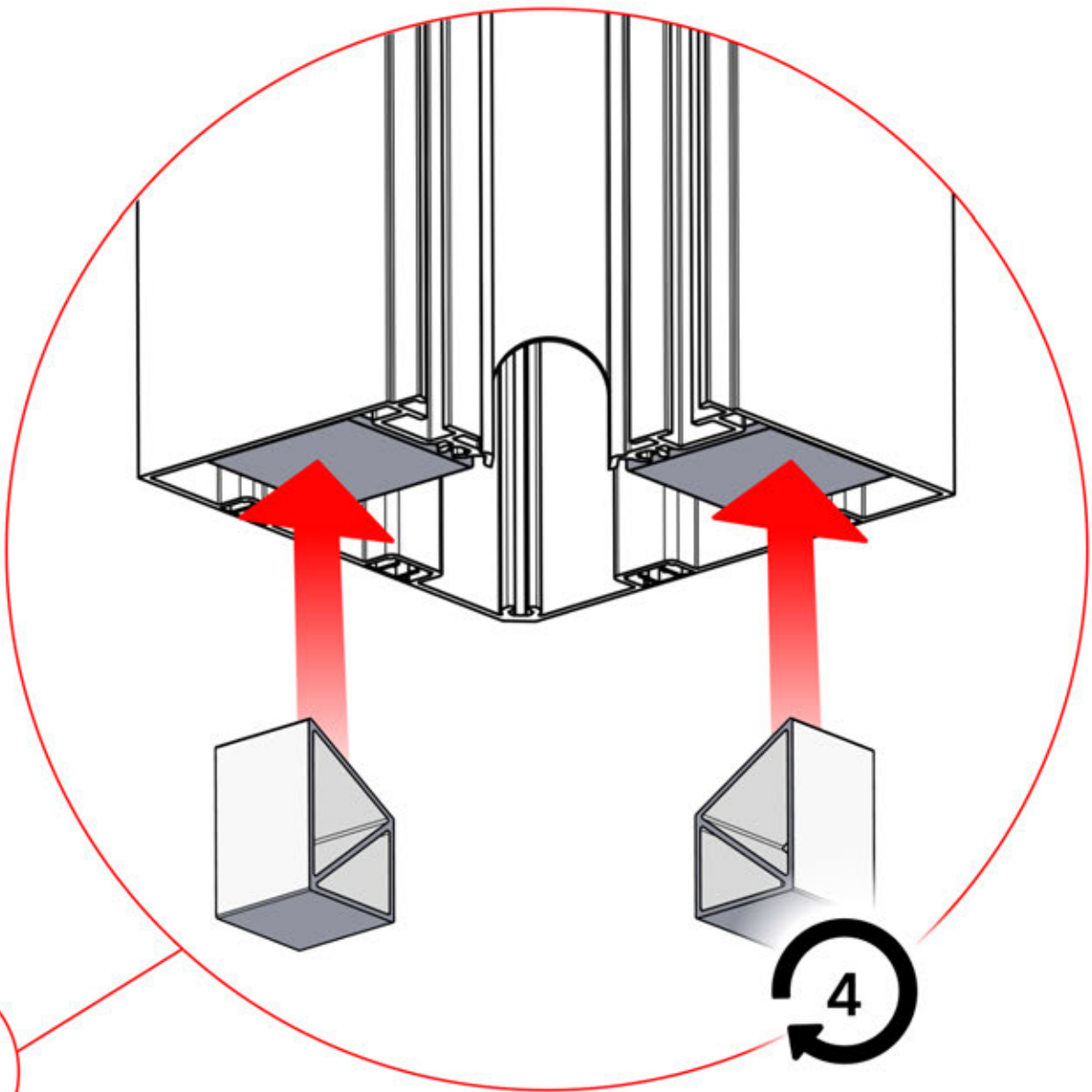
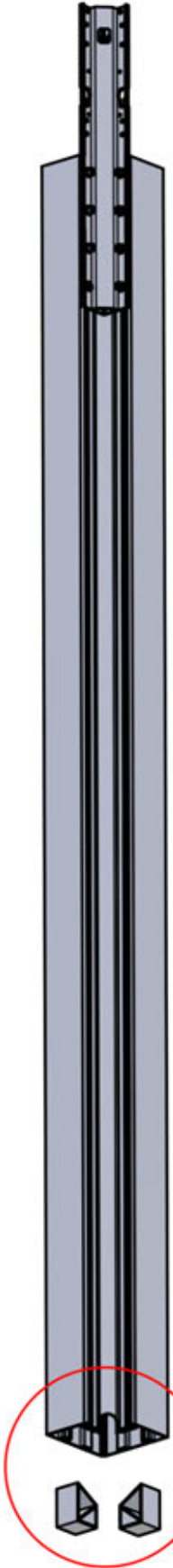
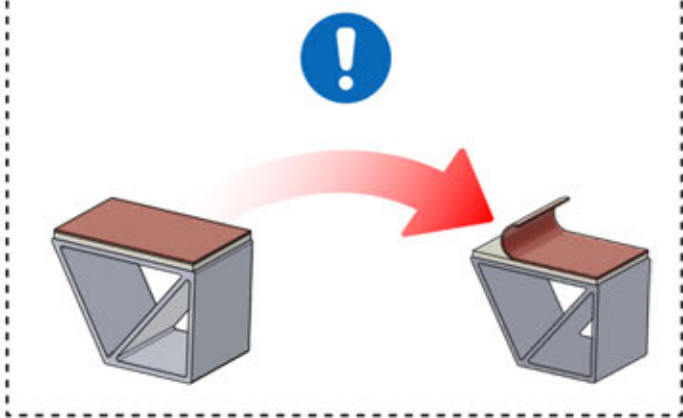
PN-200003486
2x

PN-200003491
1x



01

	6		PN-200002286
ANTHRACITE:	L240		8x
WHITE:	L244		
BLACK:	L242		



02

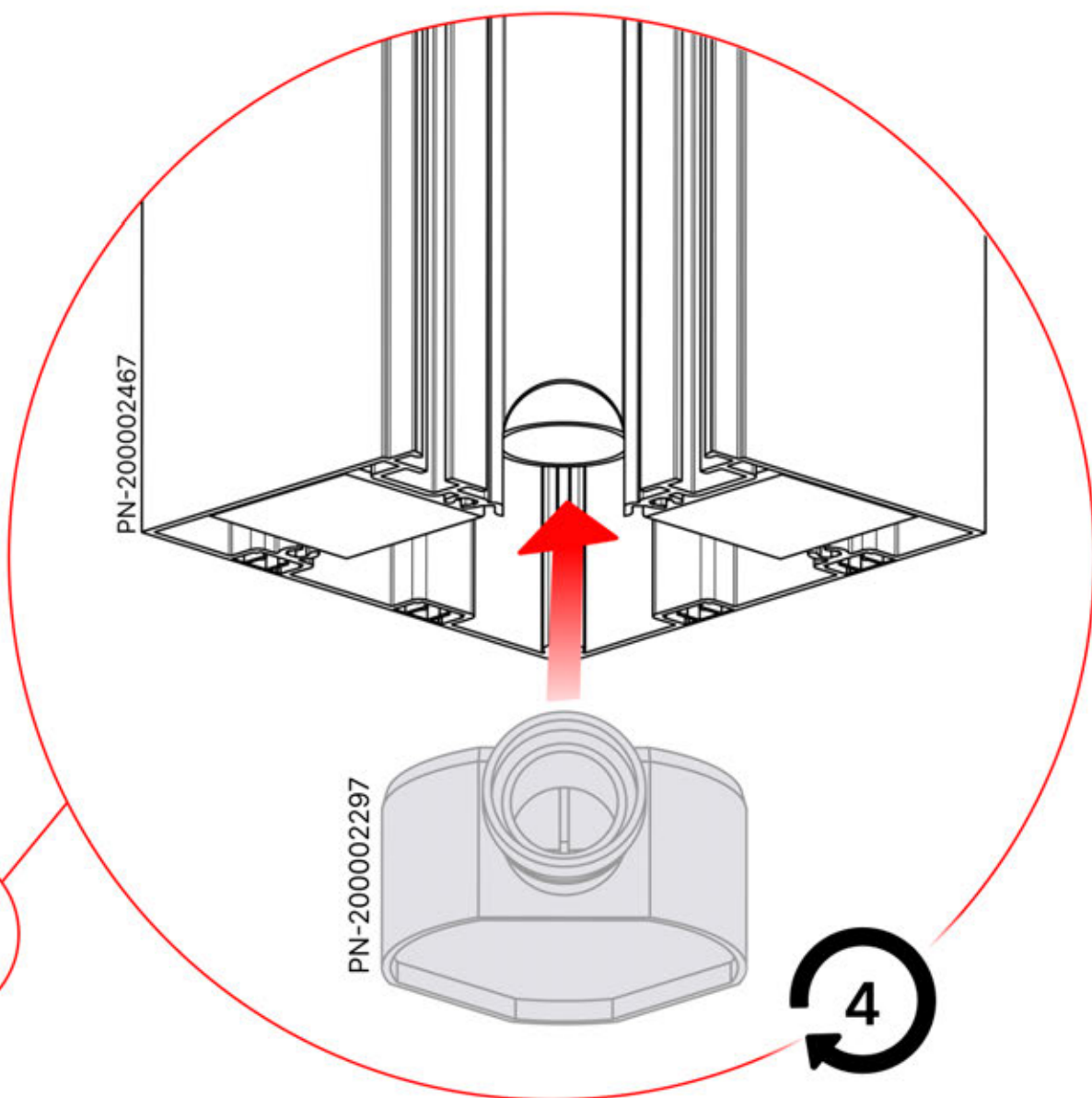
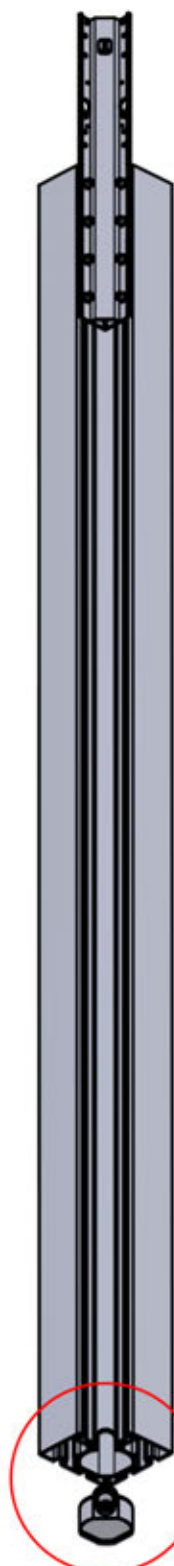
x2
PERGOLUX
PERGOLUX

1

ANTHRACITE: C126
WHITE: C127
BLACK: C128

PN-200002467
4x

PN-200002297
4x



03

x2
PERGOLUX
PERGOLUX


1

ANTHRACITE: C126
WHITE: C127
BLACK: C128


x1
PERGOLUX

6

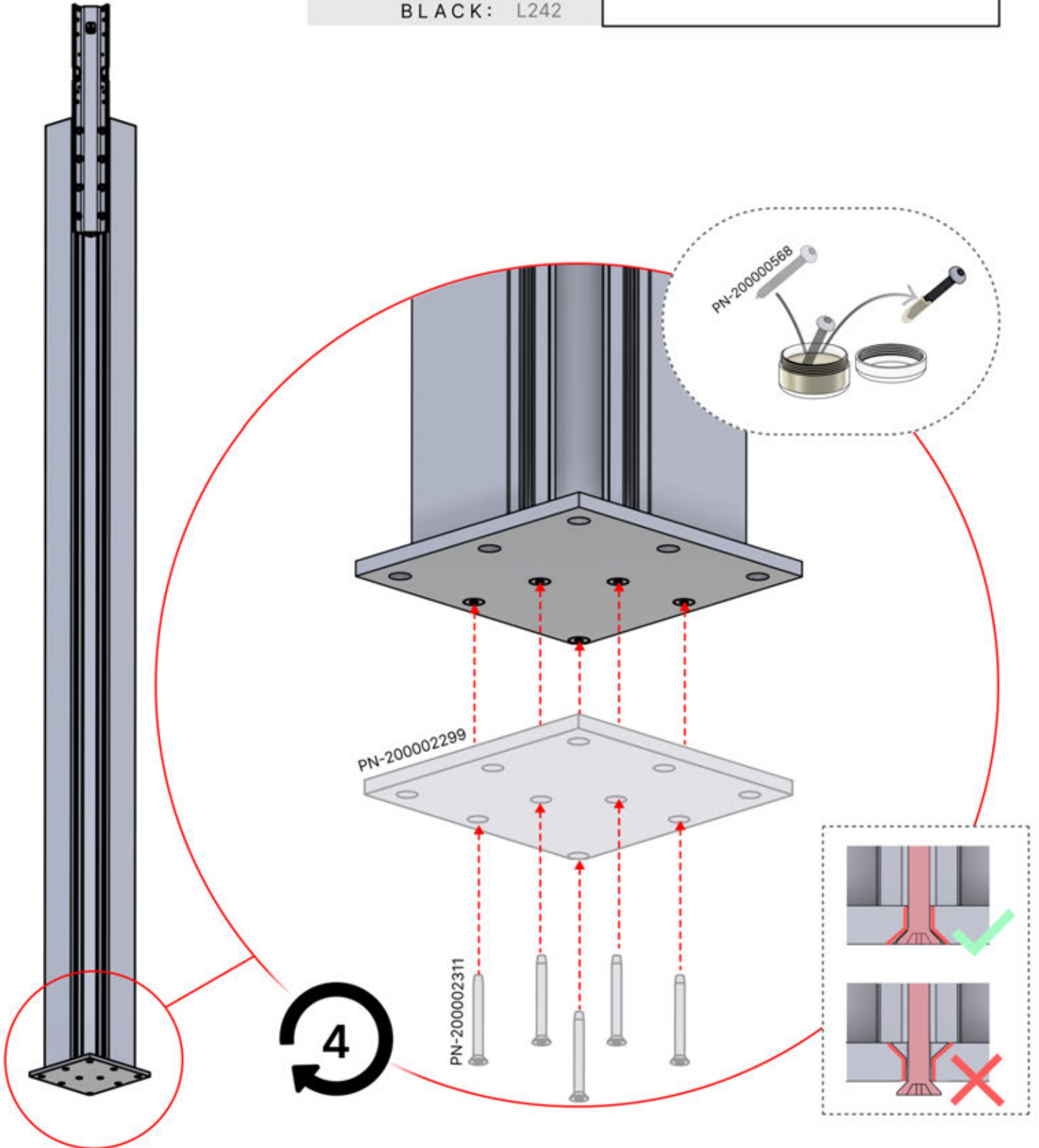
ANTHRACITE: L240
WHITE: L244
BLACK: L242



PN-200002299
4x



PN-200002311
20x



04

3

x1
PERGOLUX

ANTHRACITE: B308
WHITE: B310
BLACK: B312

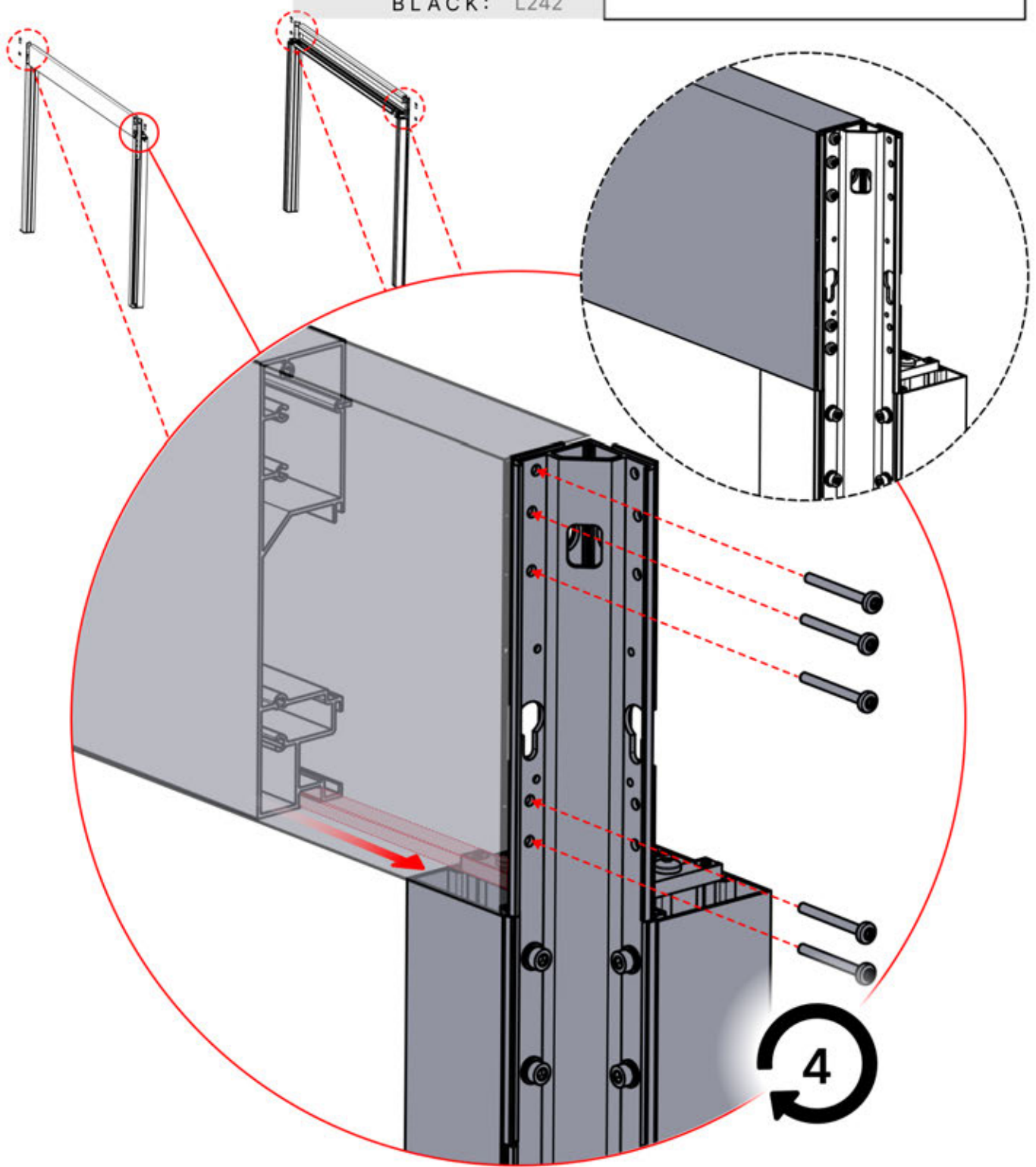
6

x1
PERGOLUX

ANTHRACITE: L240
WHITE: L244
BLACK: L242

PN-200003486
2x

PN-200002311
20x



05

2

x7
PERGOLUX

ANTHRACITE: B284
WHITE: B288
BLACK: B292

6

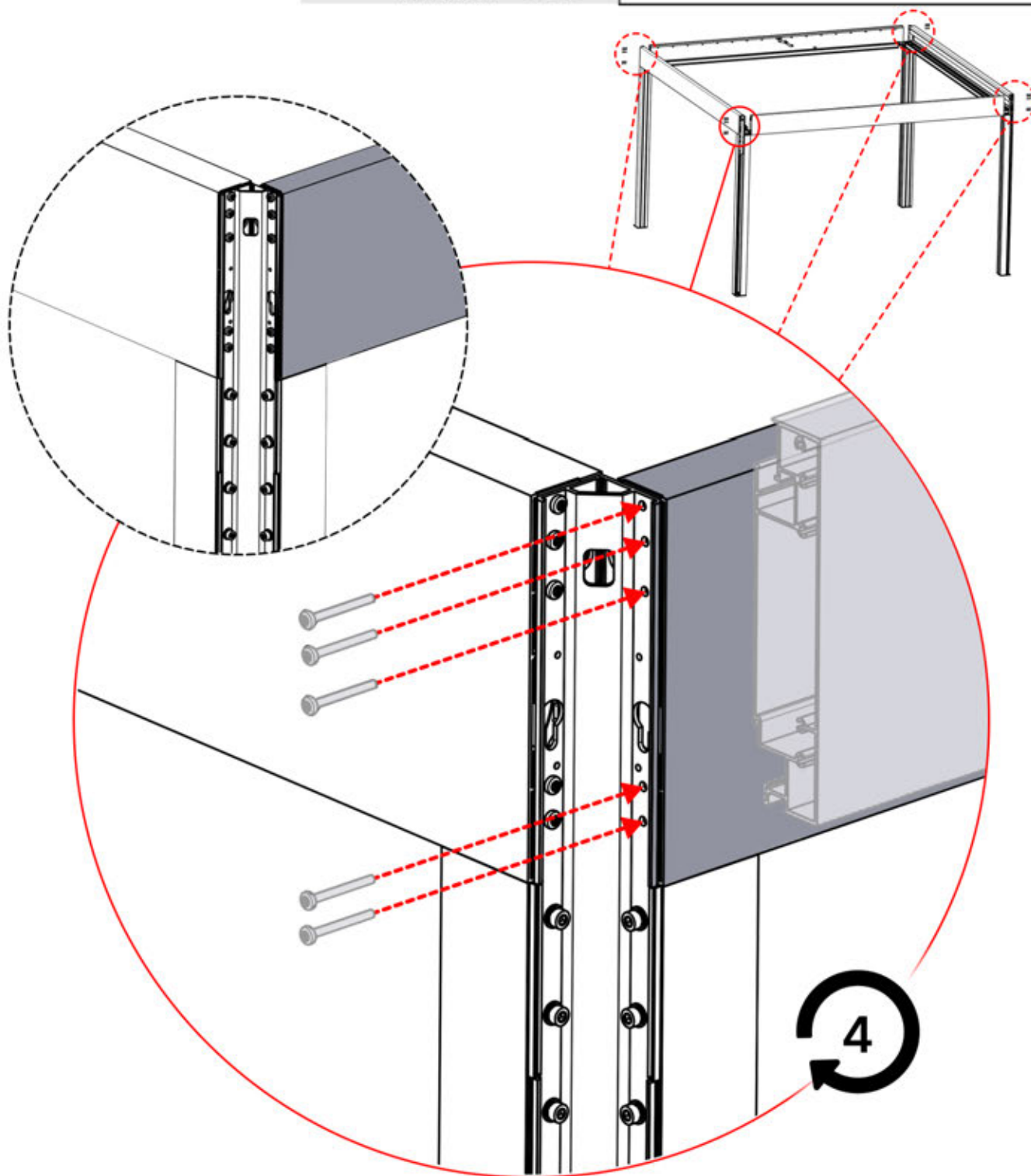
x7
PERGOLUX

ANTHRACITE: L240
WHITE: L244
BLACK: L242


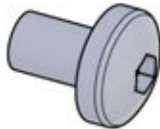
PN-200003491
1x

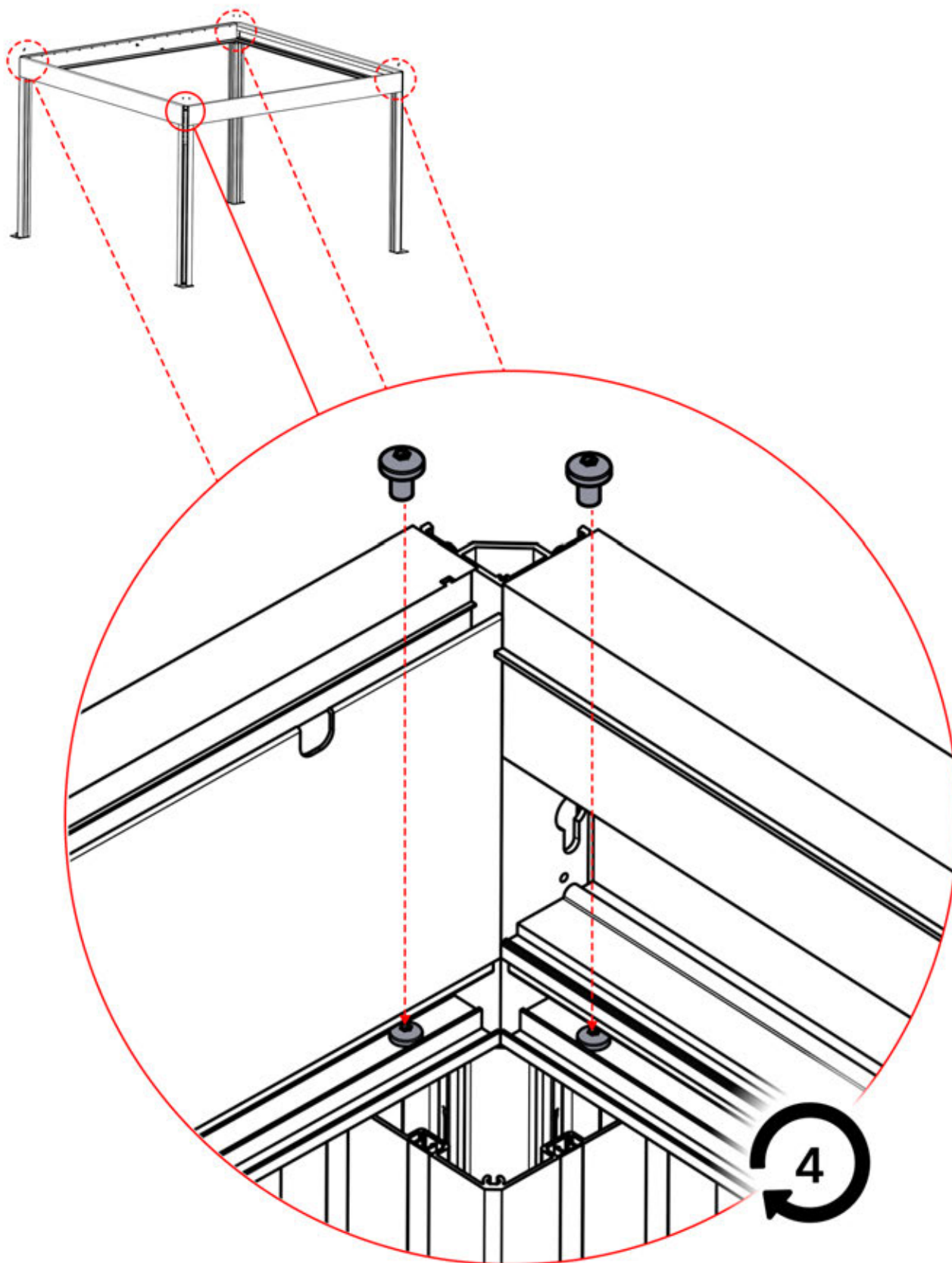
PN-200003490
1x

PN-200002311
20x



06

 <p>x7 PERGOLUX</p>	6		PN-20000655 8x
ANTHRACITE: L240 WHITE: L244 BLACK: L242			



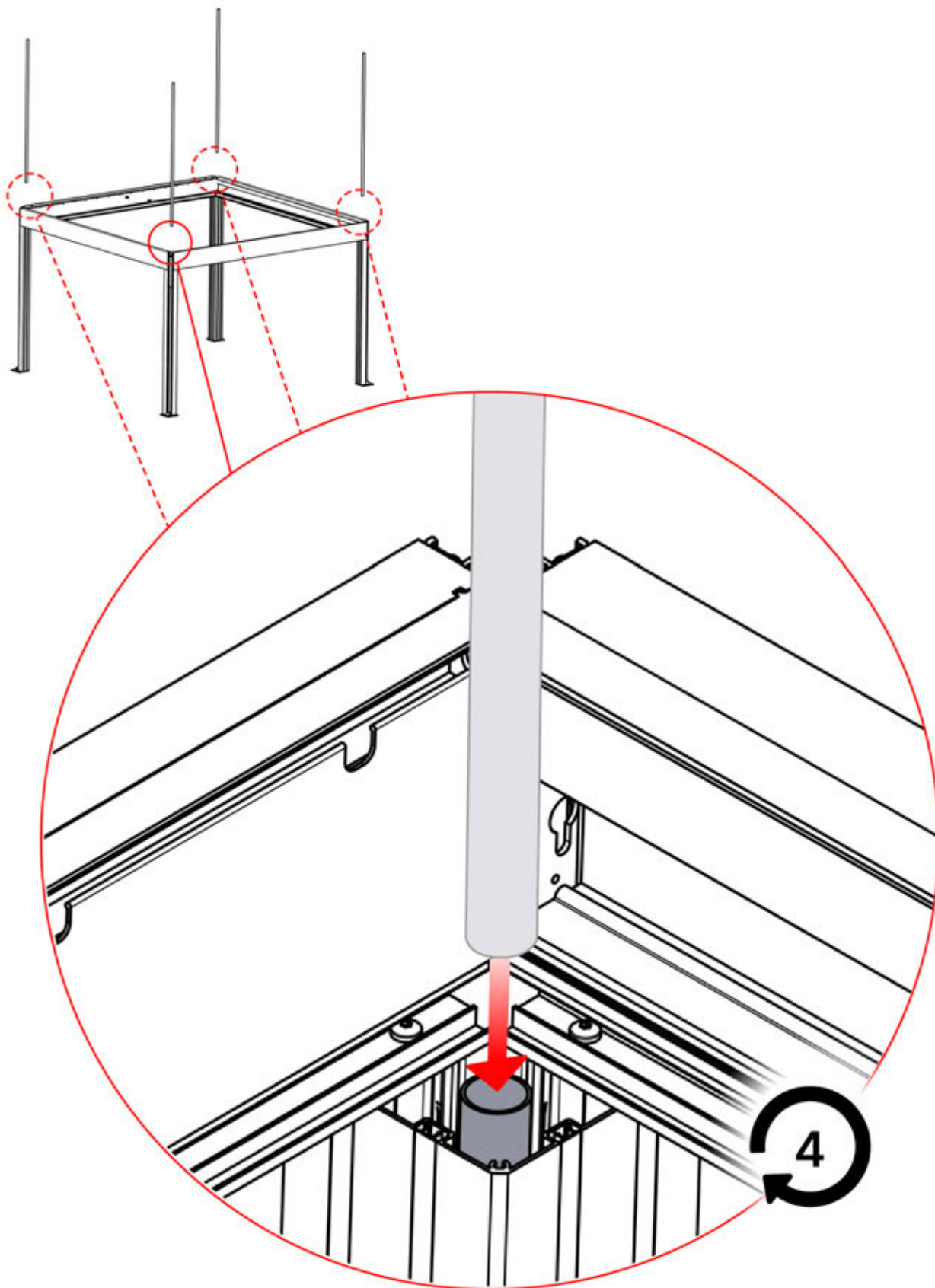

07

x2
PERGOLUX
PERGOLUX

1

ANTHRACITE: C126
WHITE: C127
BLACK: C128

PN-200003584
4x



08

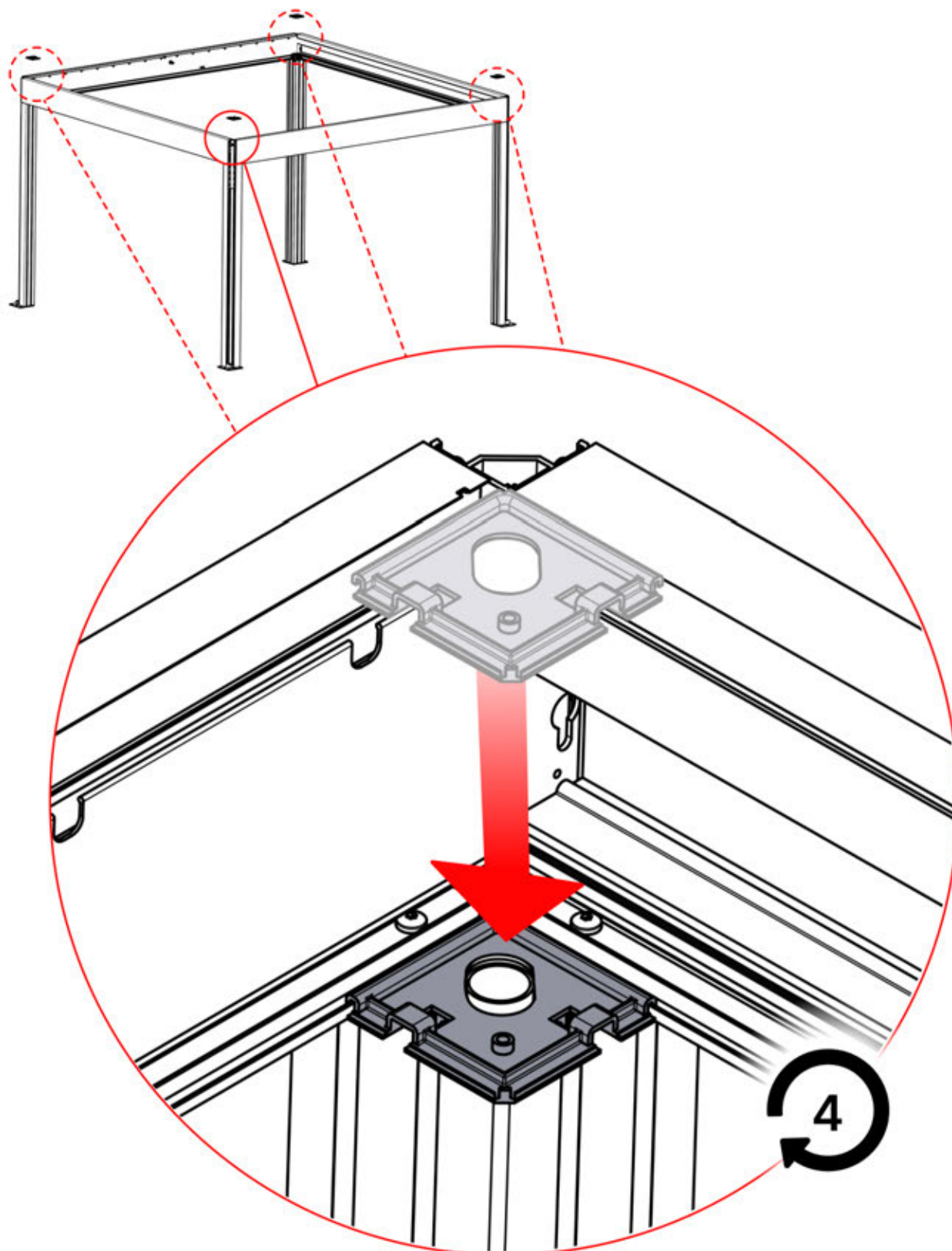
x1
PERGOLUX

6

ANTHRACITE: L240
WHITE: L244
BLACK: L242



PN-200002284
4x



09



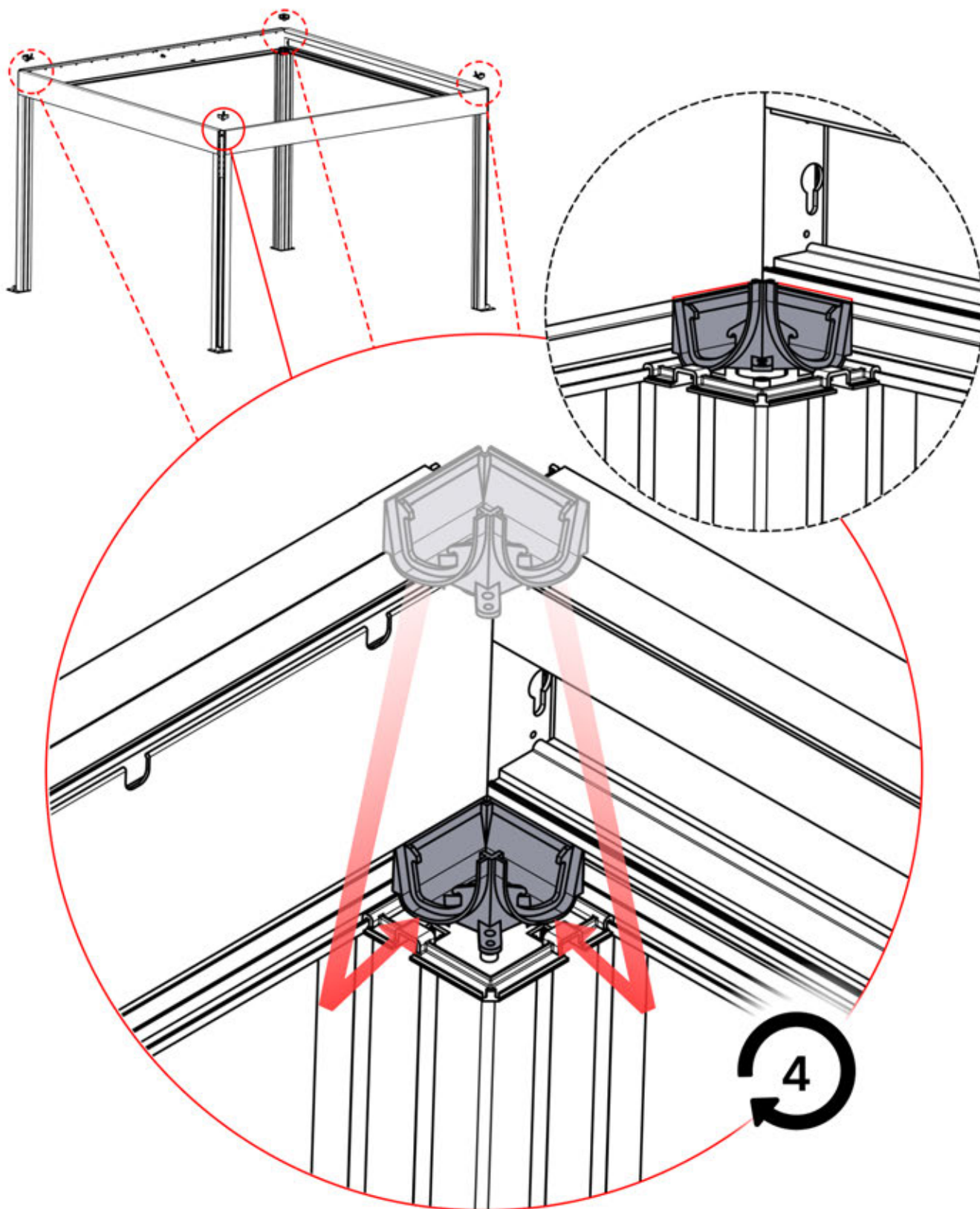
6

ANTHRACITE: L240
WHITE: L244
BLACK: L242



PN-200002298

4x



10



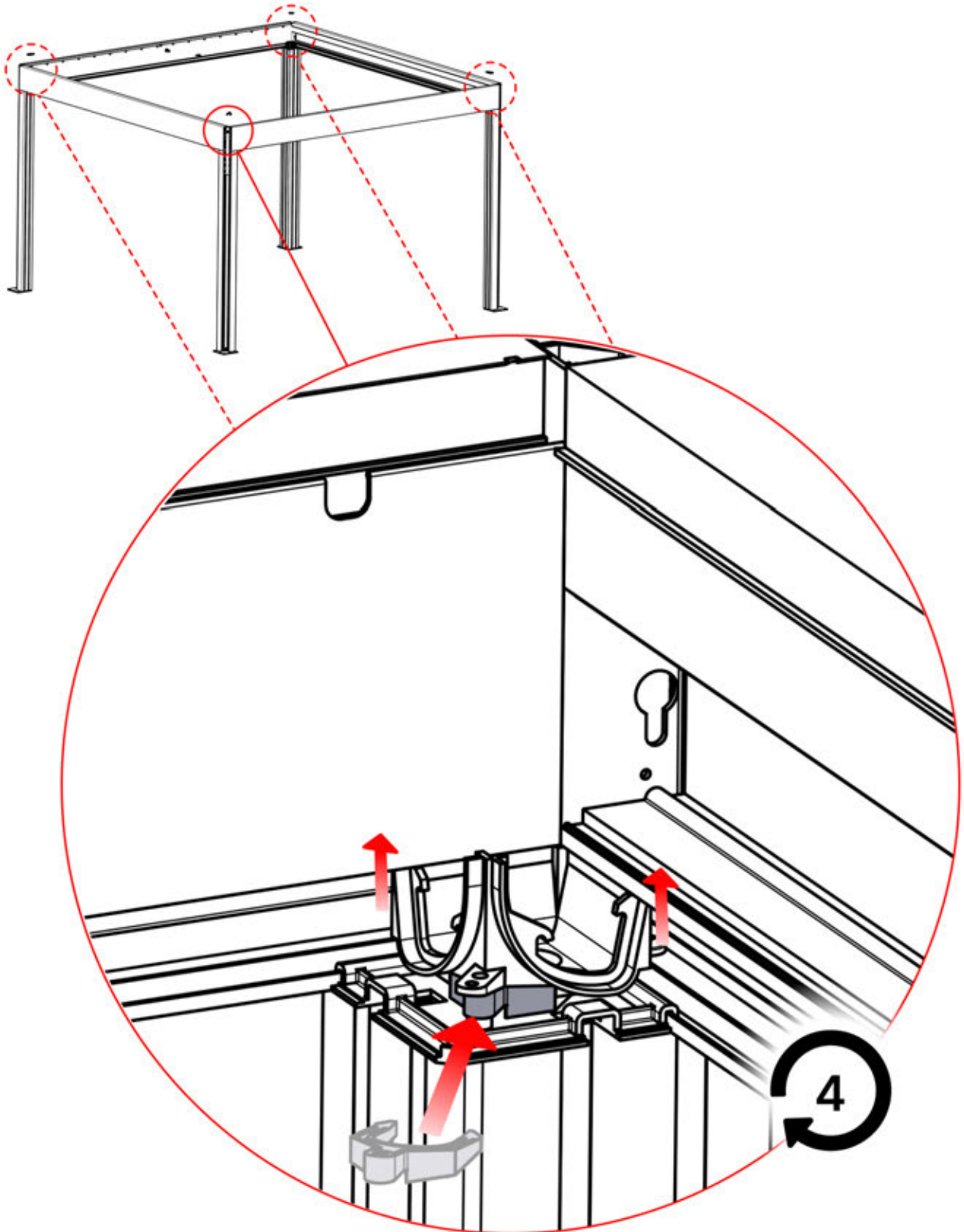
6

ANTHRACITE: L240
WHITE: L244
BLACK: L242



PN-200002282

4x



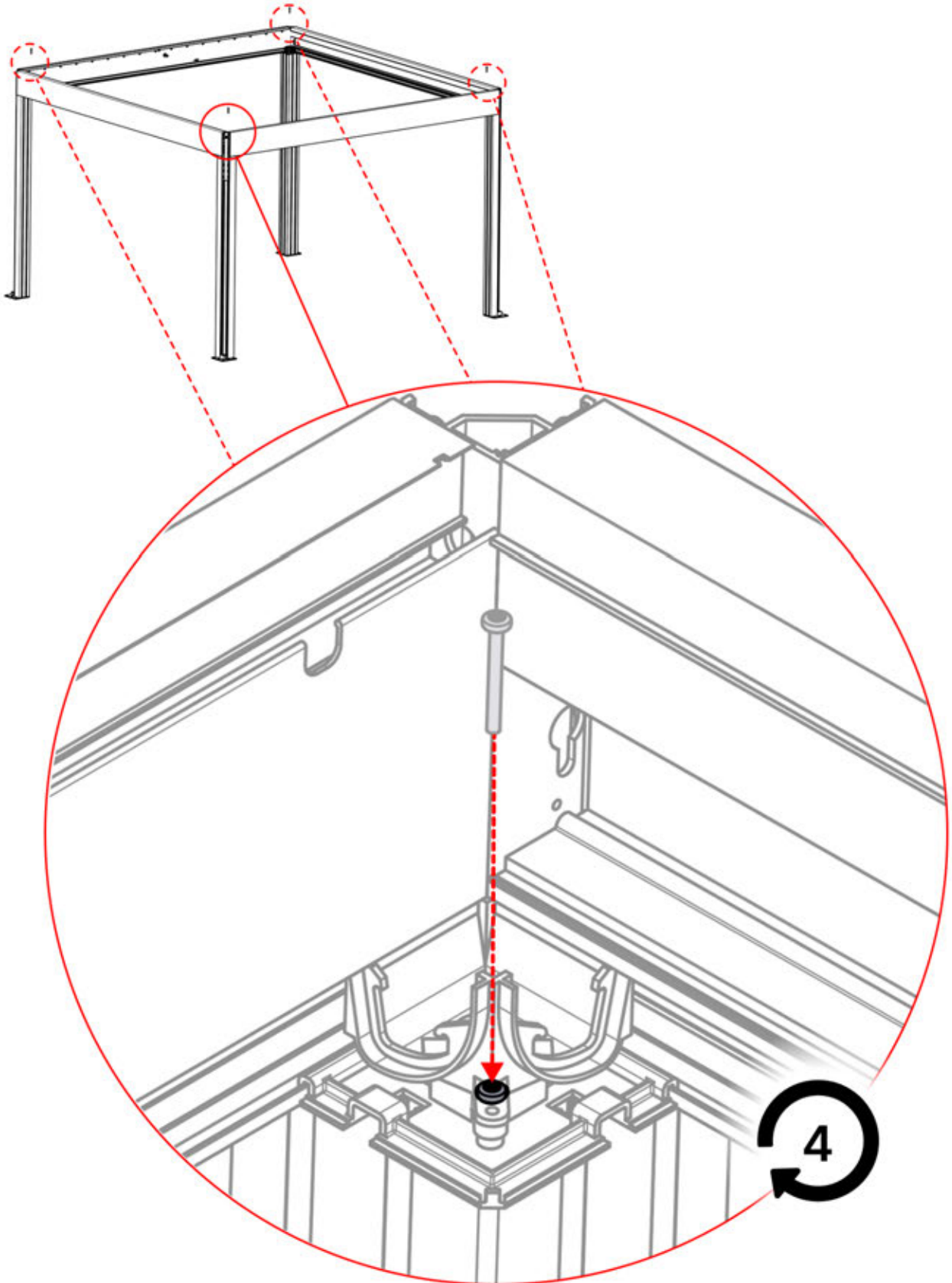
11

x7
PERGOLUX

6

ANTHRACITE: L240
WHITE: L244
BLACK: L242

PN-200002311
4x



12

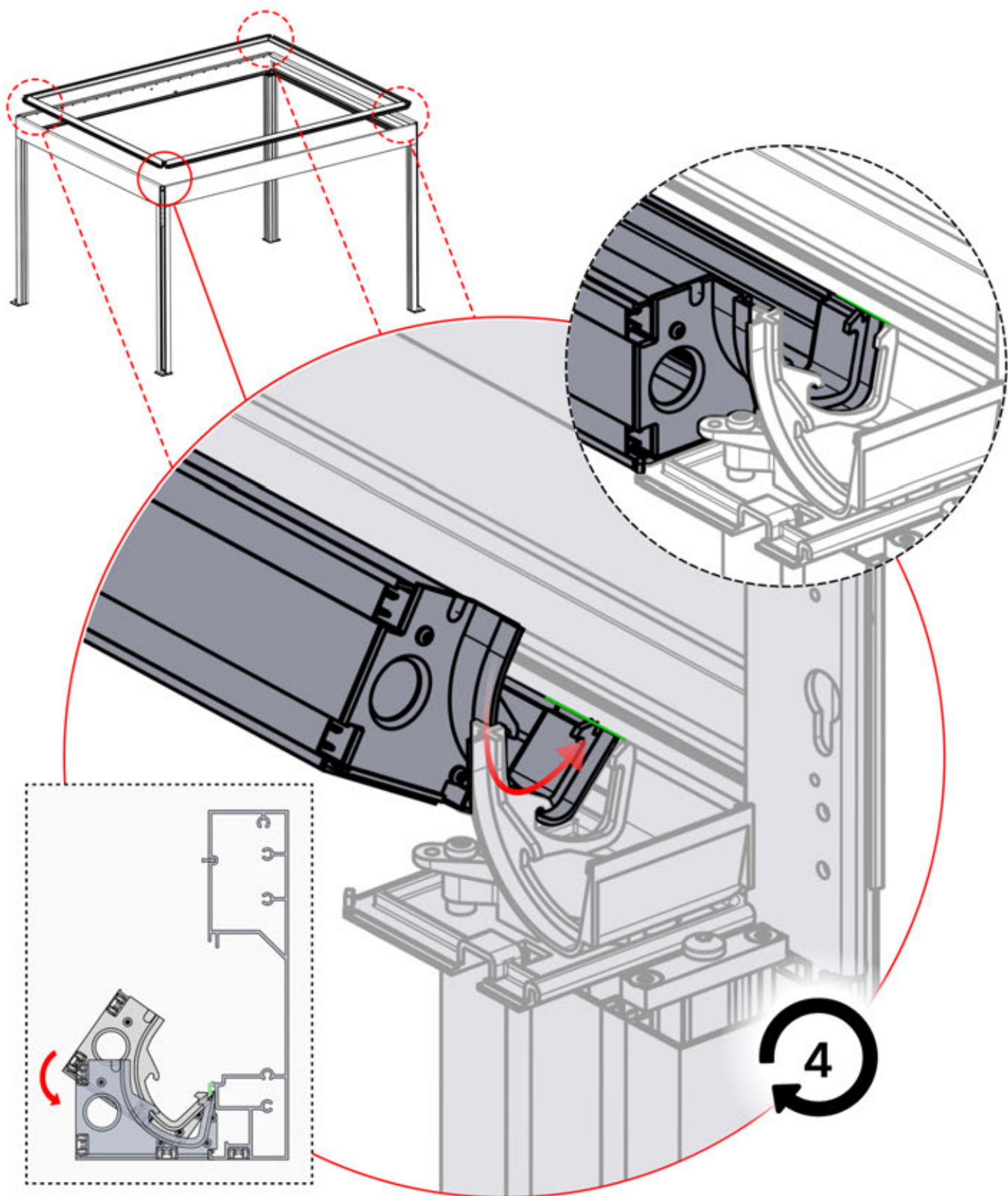
x1
PERGOLUX

2

ANTHRACITE: B284
WHITE: B288
BLACK: B292

PN-200002347

4x



13

3

x7
PERGOLUX

ANTHRACITE: B308
WHITE: B310
BLACK: B312

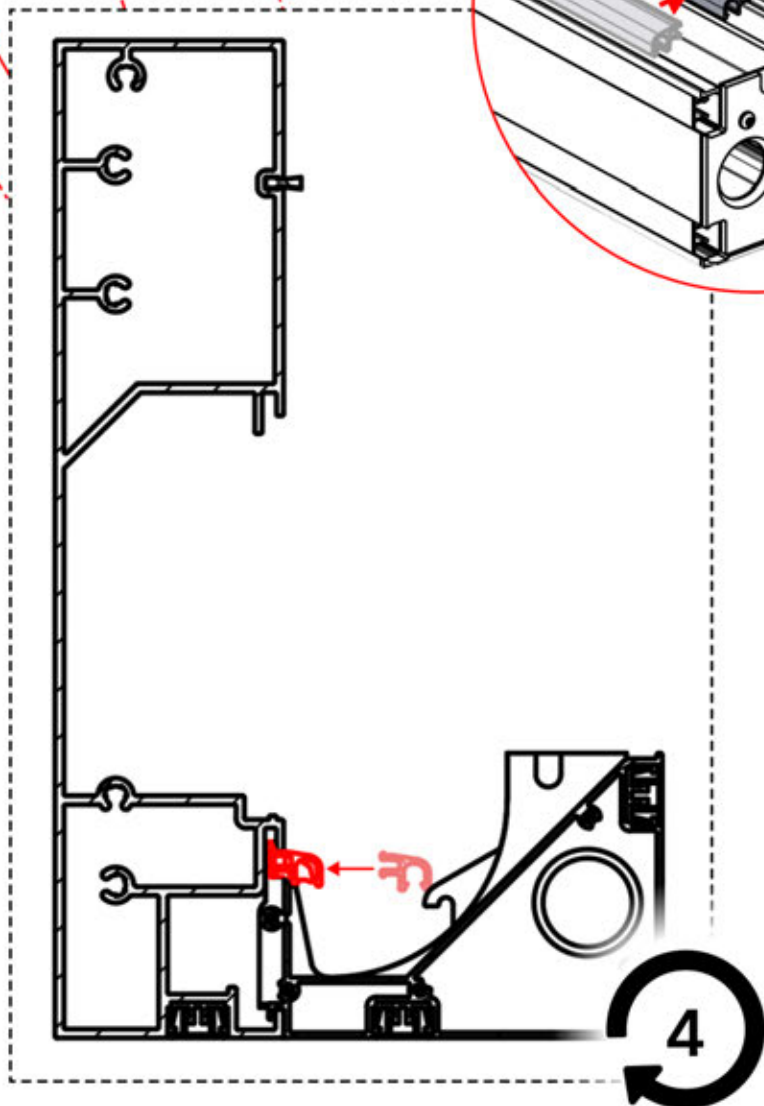
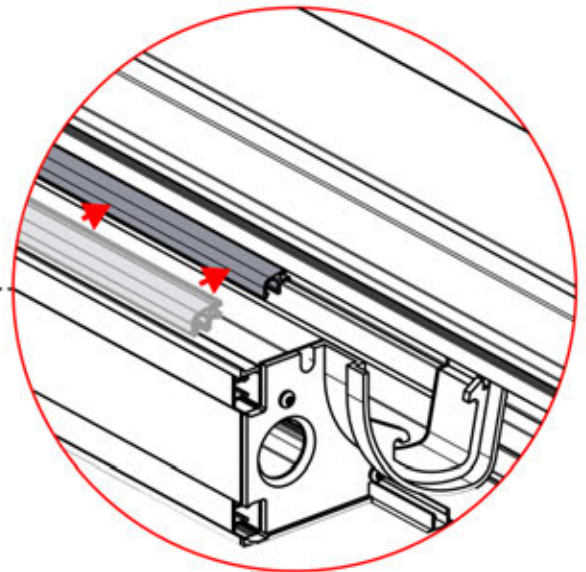
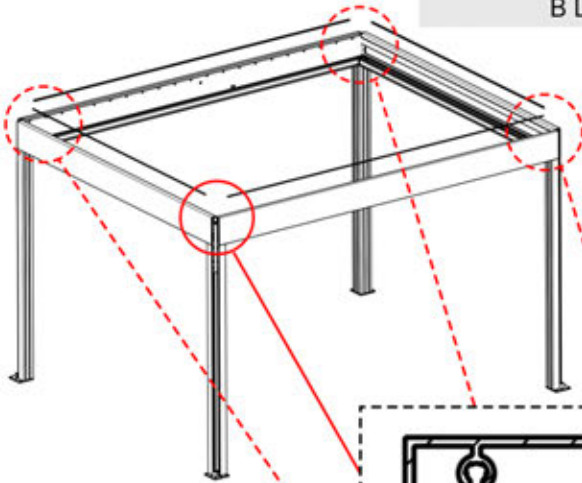
2

x7
PERGOLUX

ANTHRACITE: B284
WHITE: B288
BLACK: B292

PN-200002323
2x

PN-200002323
2x



INFORMATION



Apply grease to part



6

ANTHRACITE: L240
WHITE: L244
BLACK: L242



PN-200003051

8x



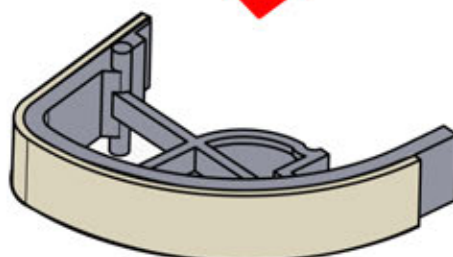
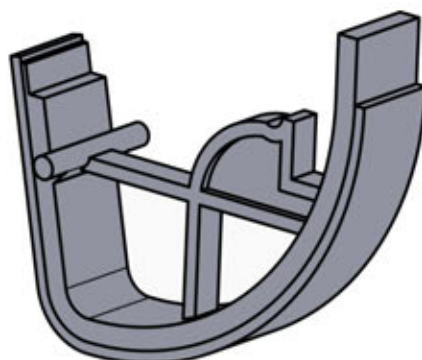
PN-200003049

8x



PN-200003050

8x



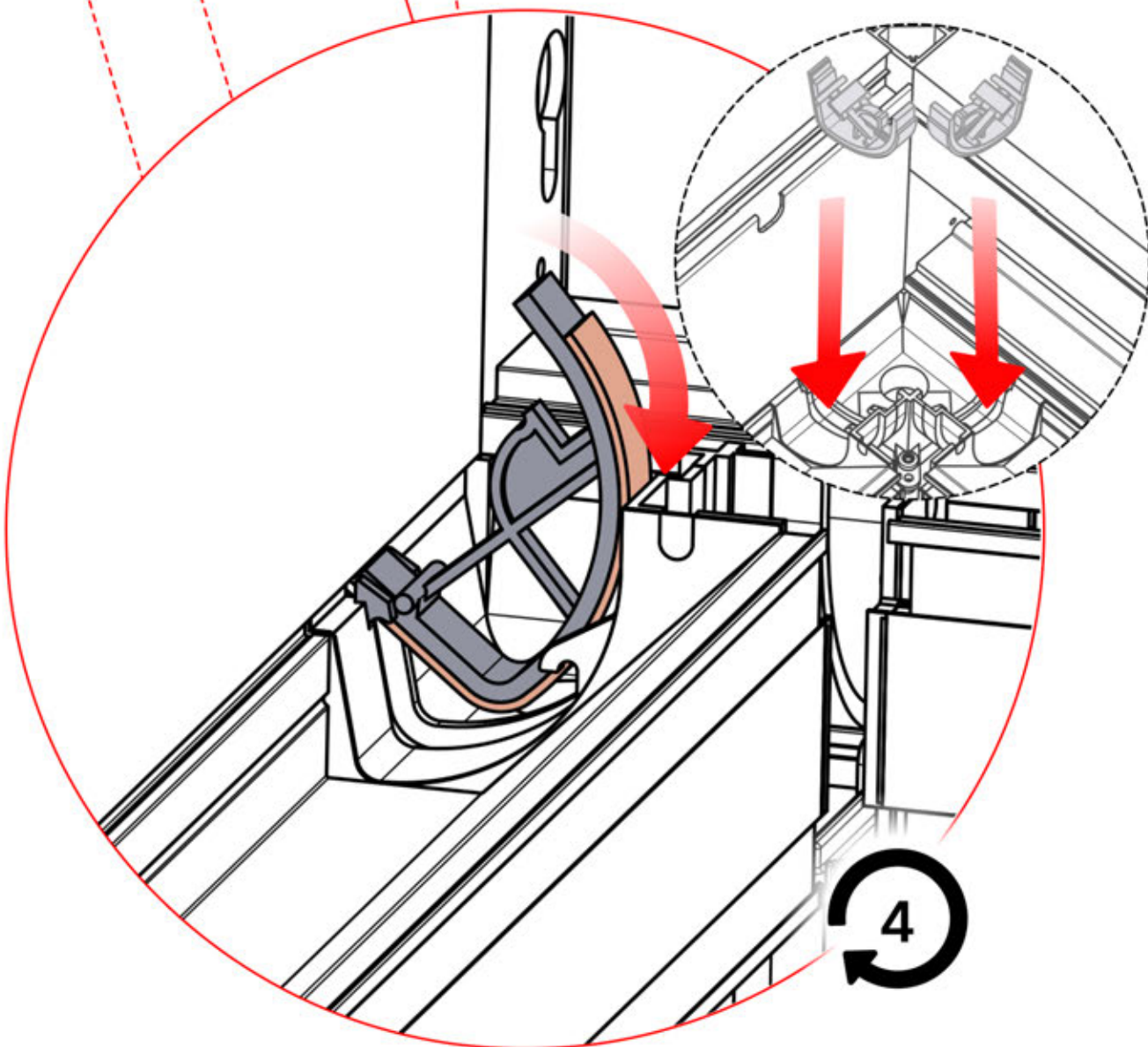
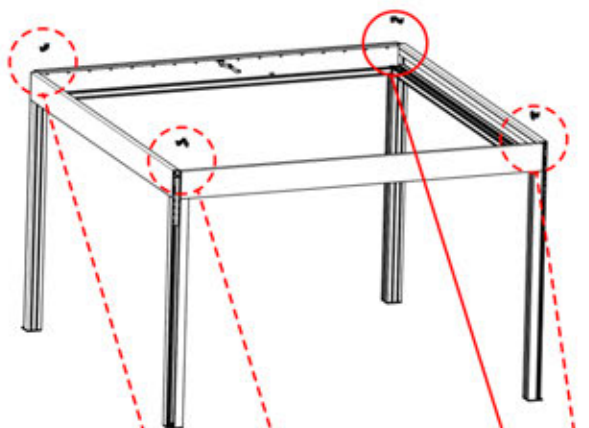
14



6

ANTHRACITE: L240
WHITE: L244
BLACK: L242

	PN-200003051 8x
	PN-200003049 8x
	PN-200003050 8x



15



6

ANTHRACITE: L240
WHITE: L244
BLACK: L242



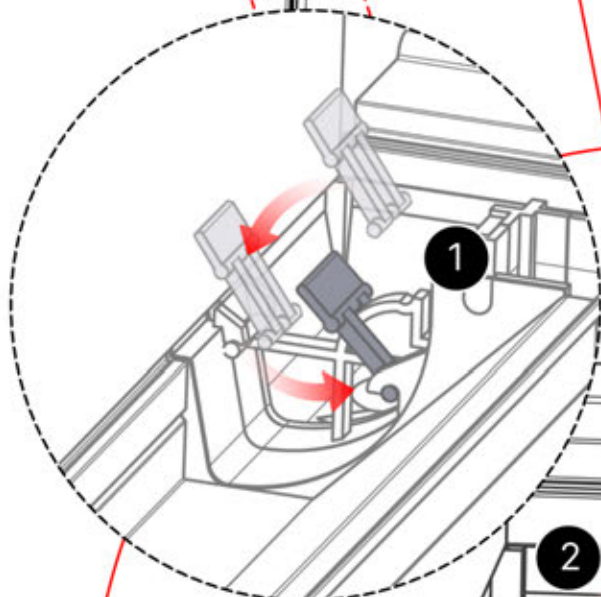
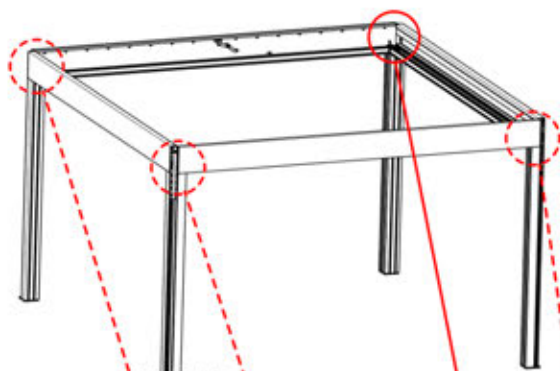
PN-200003051
8x



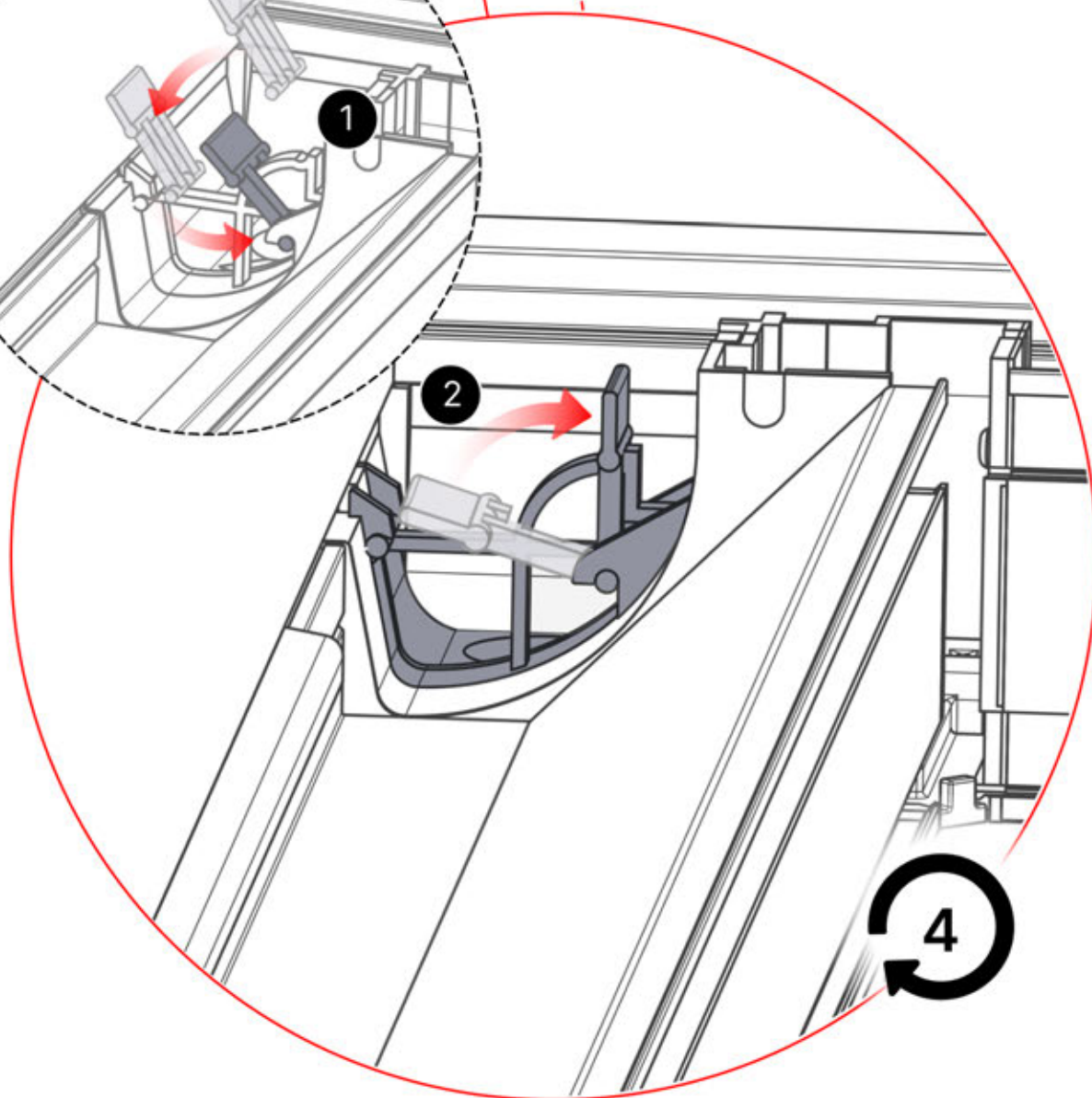
PN-200003049
8x



PN-200003050
8x



1



2




4


16

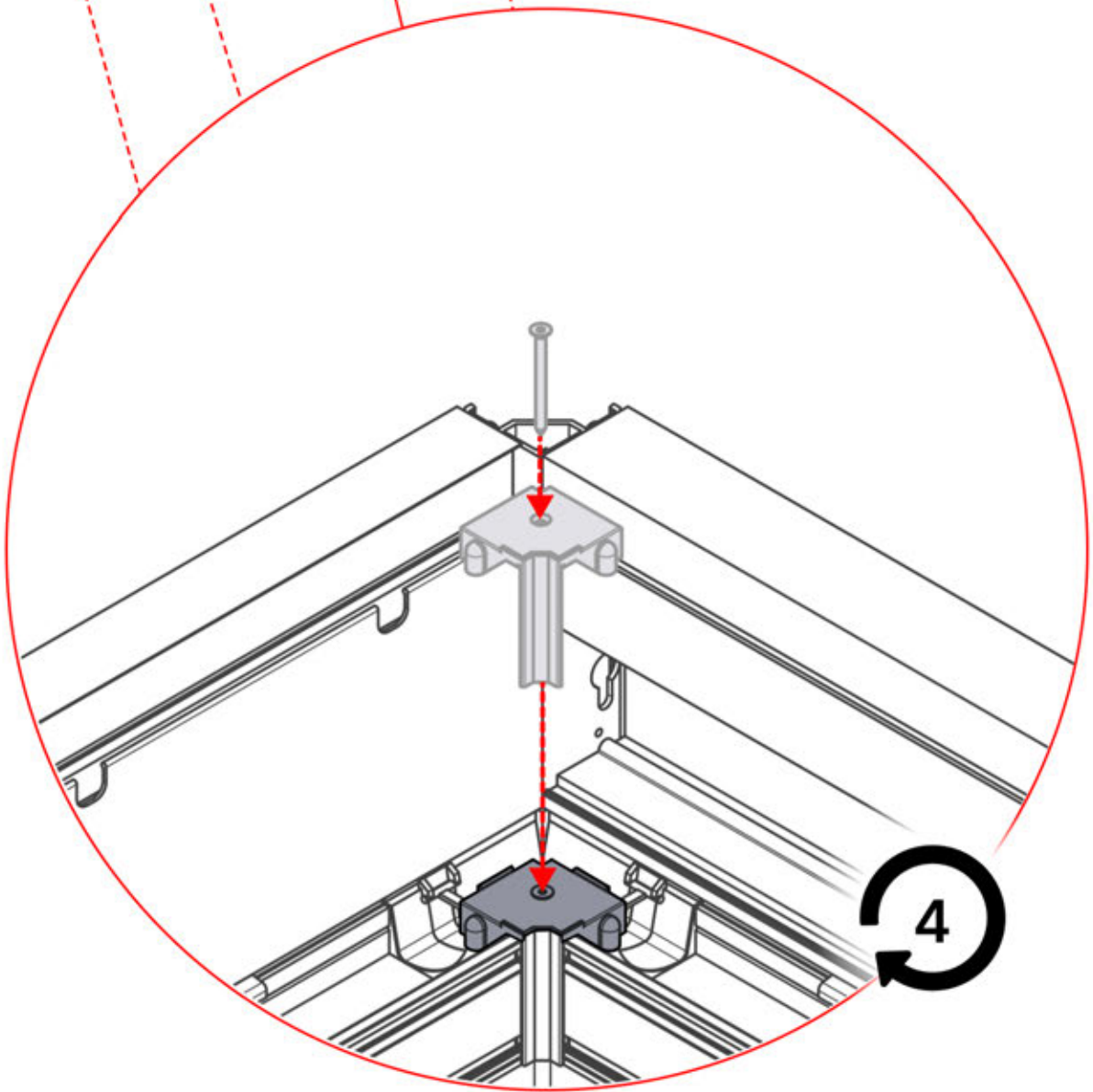
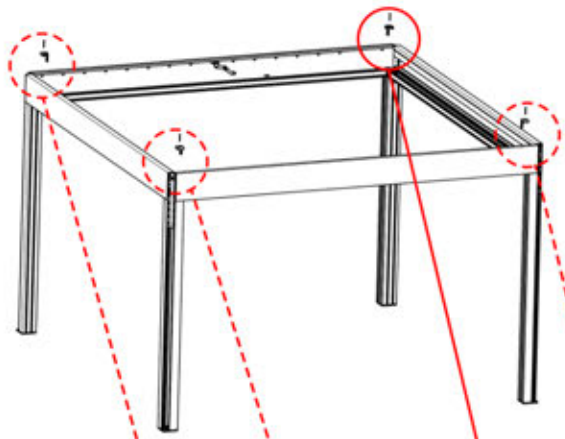
x7
PERGOLUX

6

ANTHRACITE: L240
WHITE: L244
BLACK: L242

 PN-200002289
4x

 5.5 x 70
PN-200000958
4x



17

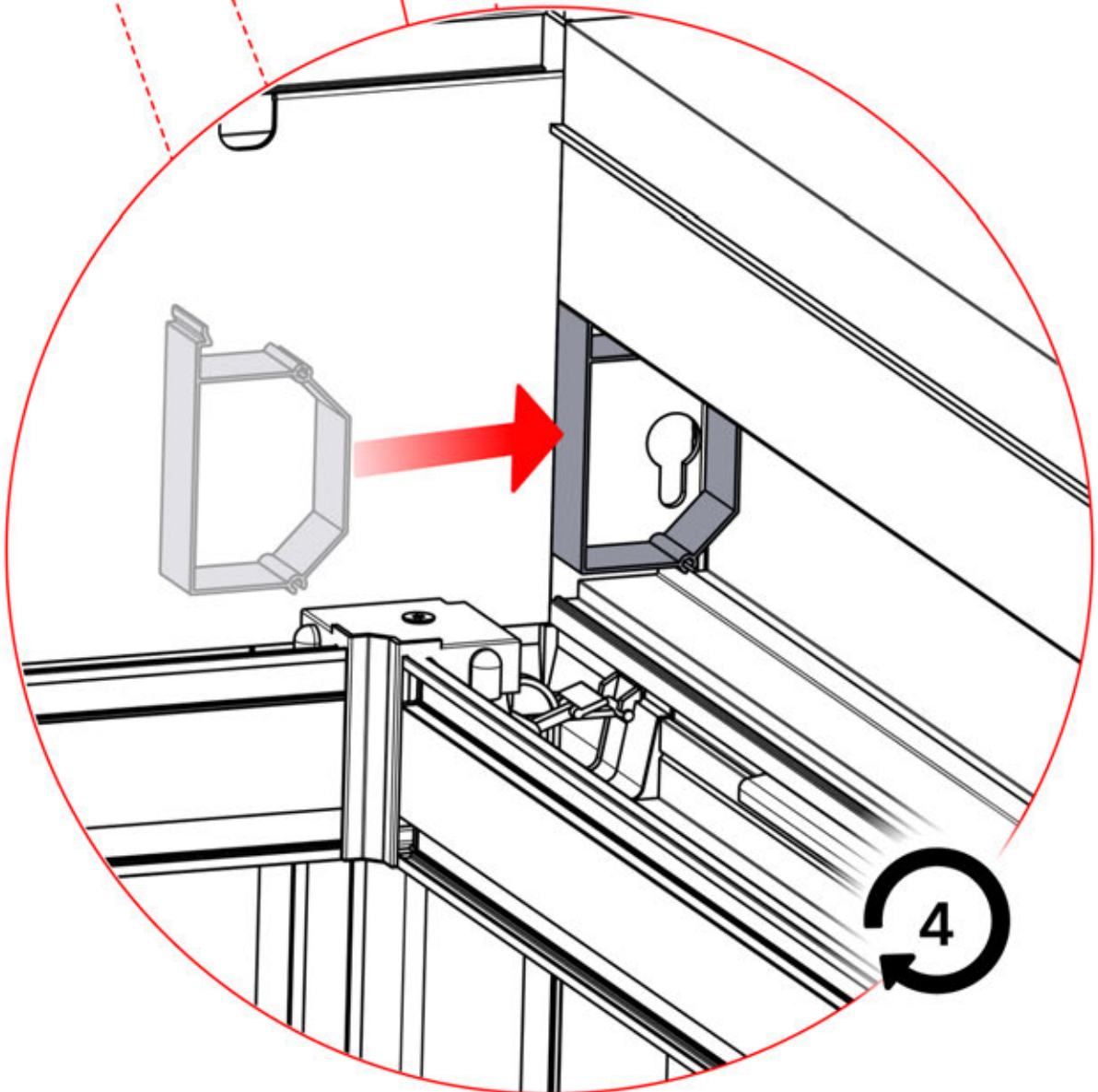
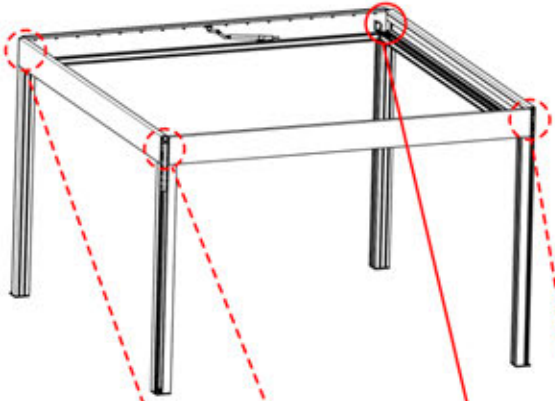


6

ANTHRACITE: L240
WHITE: L244
BLACK: L242



PN-200002329
4x




18

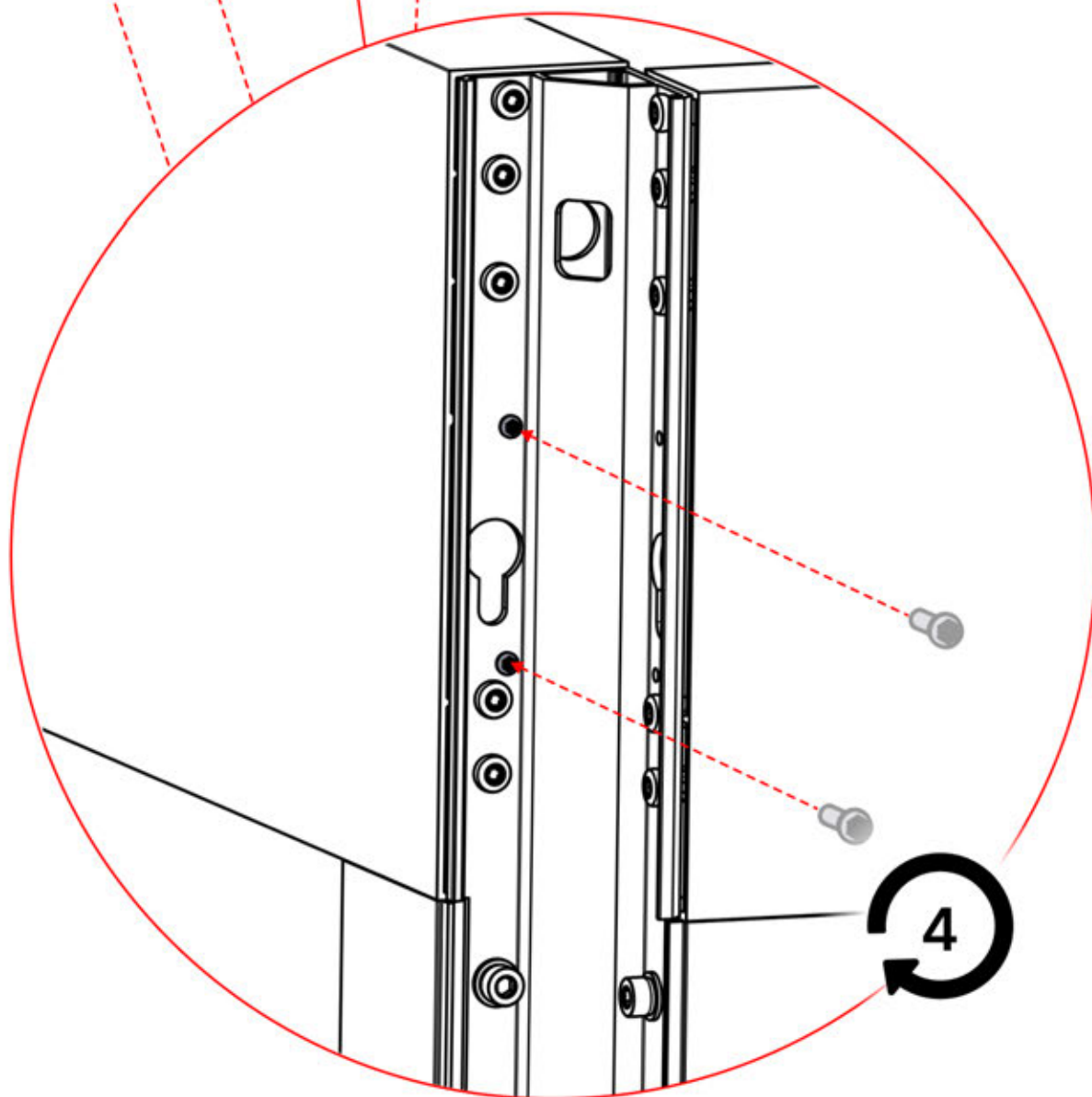
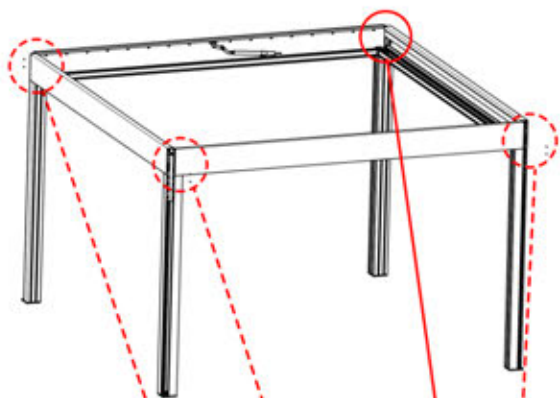
x7
PERGOLUX

6

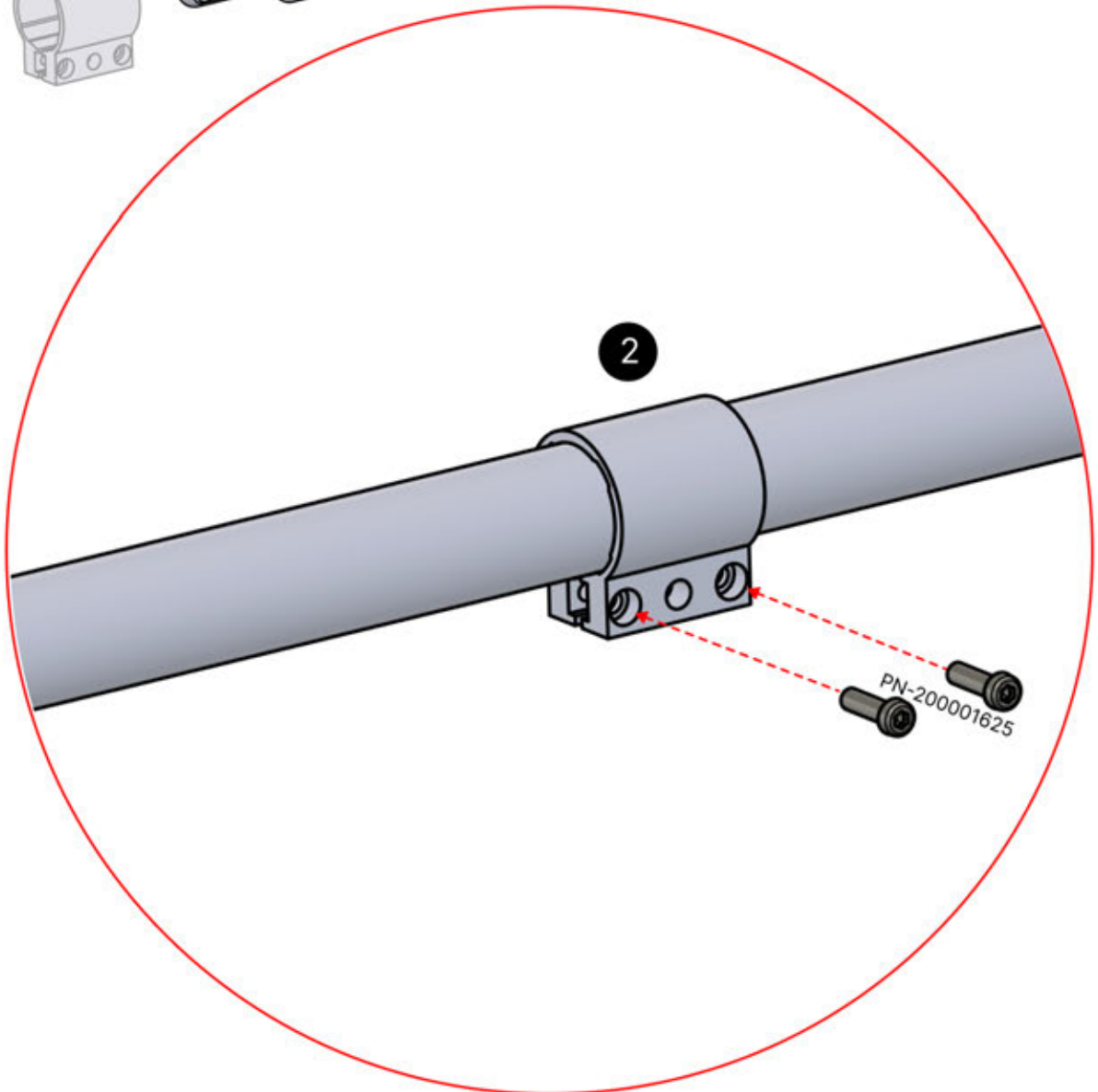
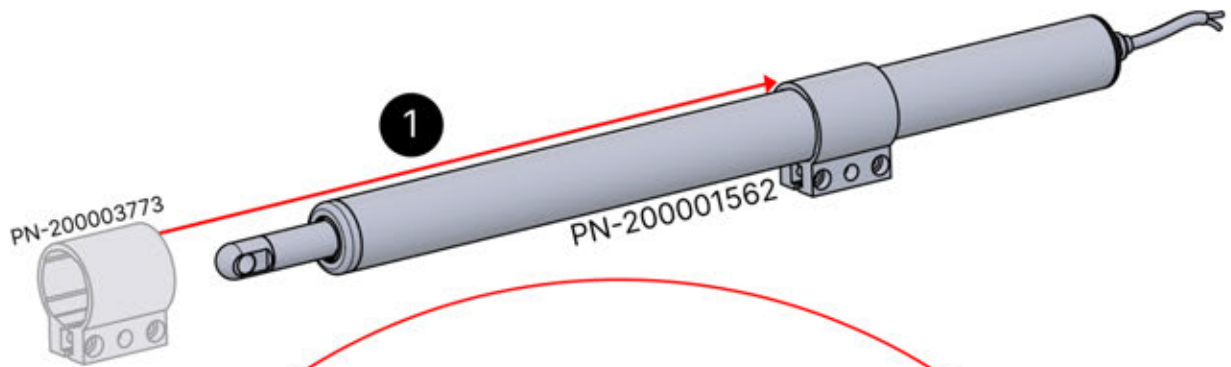
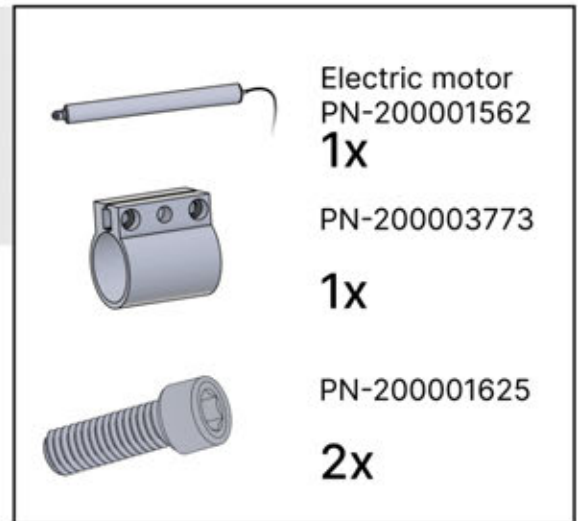
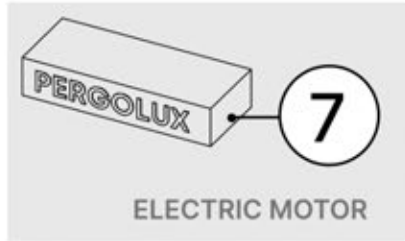
ANTHRACITE: L240
WHITE: L244
BLACK: L242



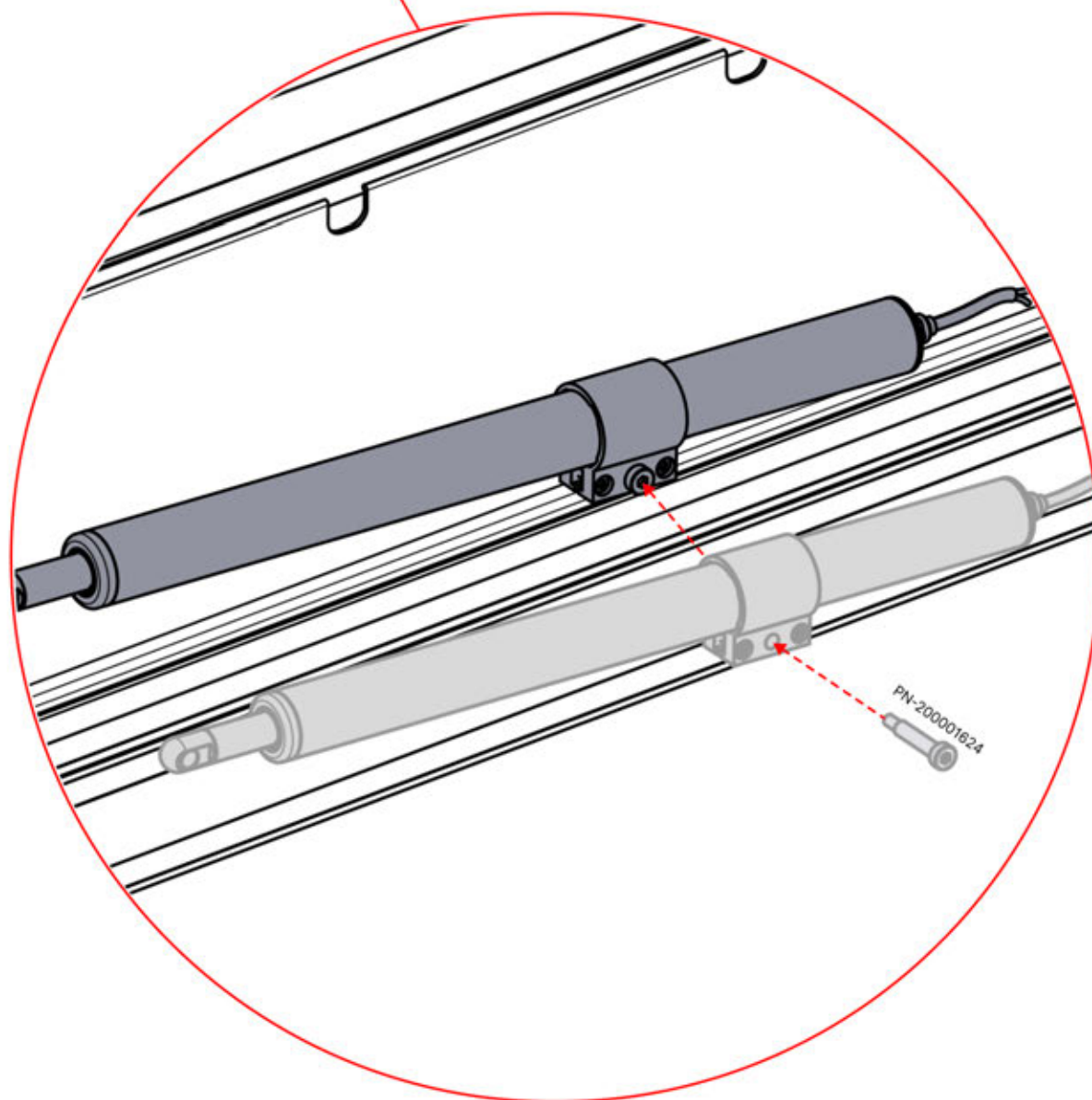
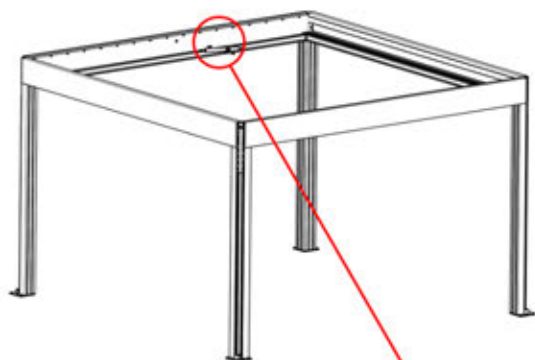
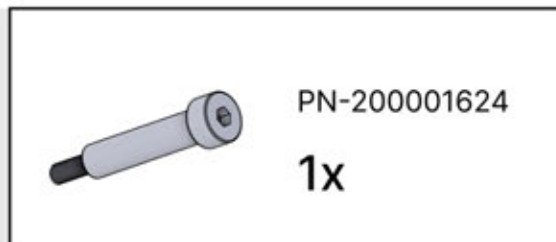
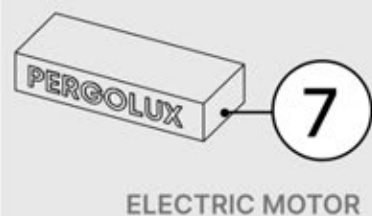
PN-200000852
8x












191

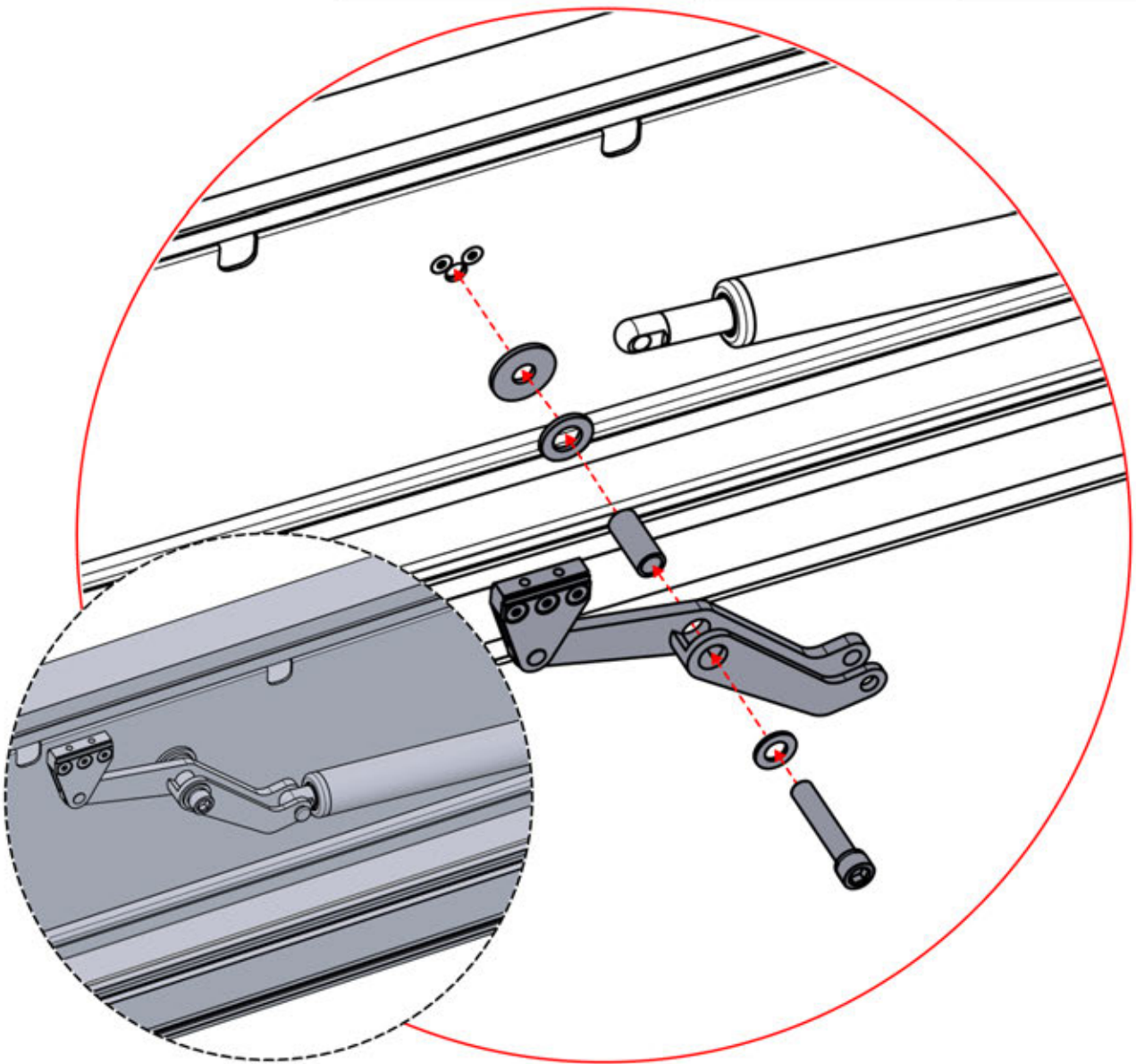


20

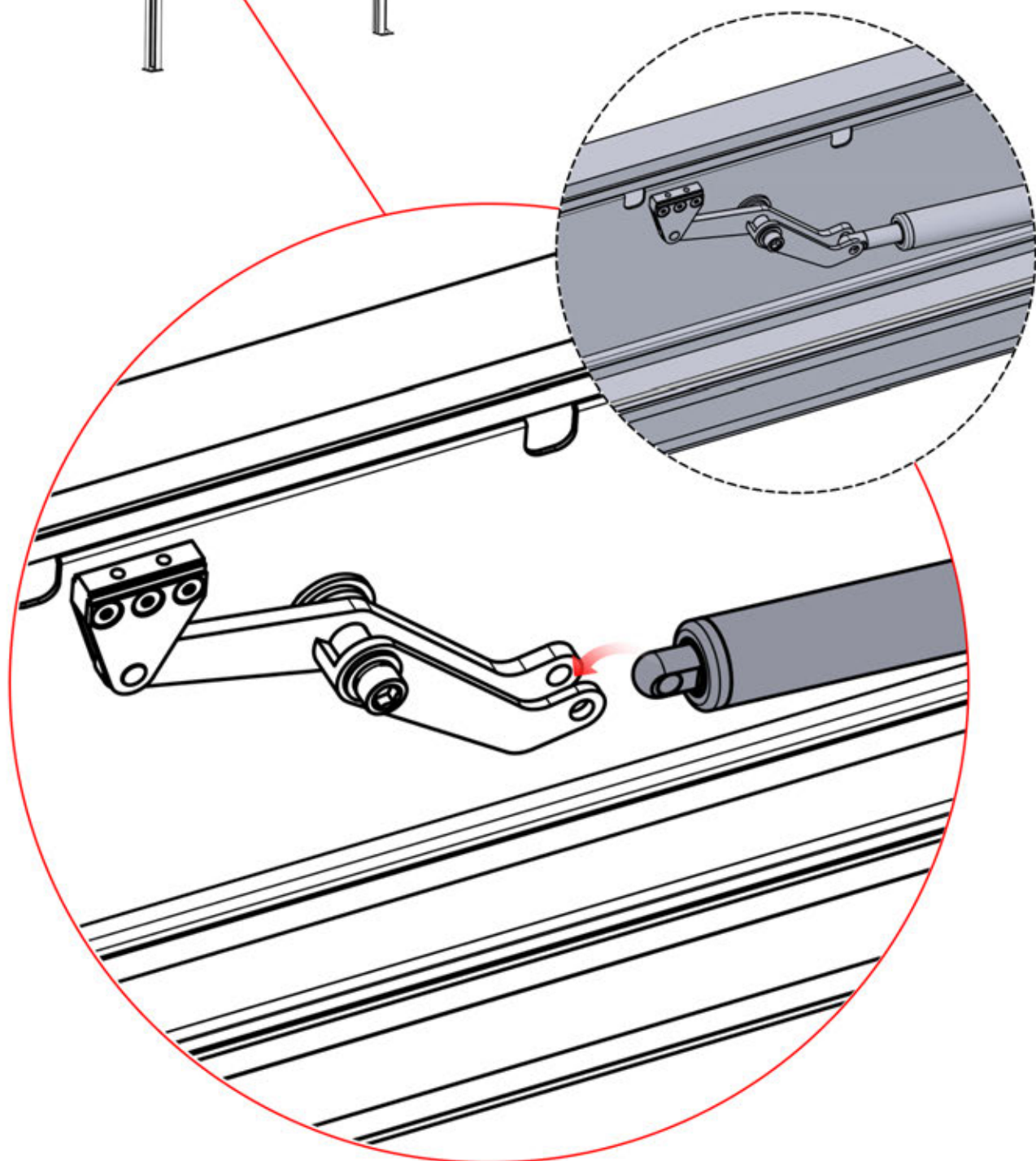
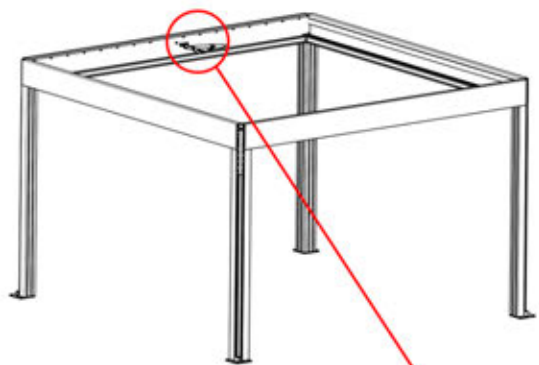


21

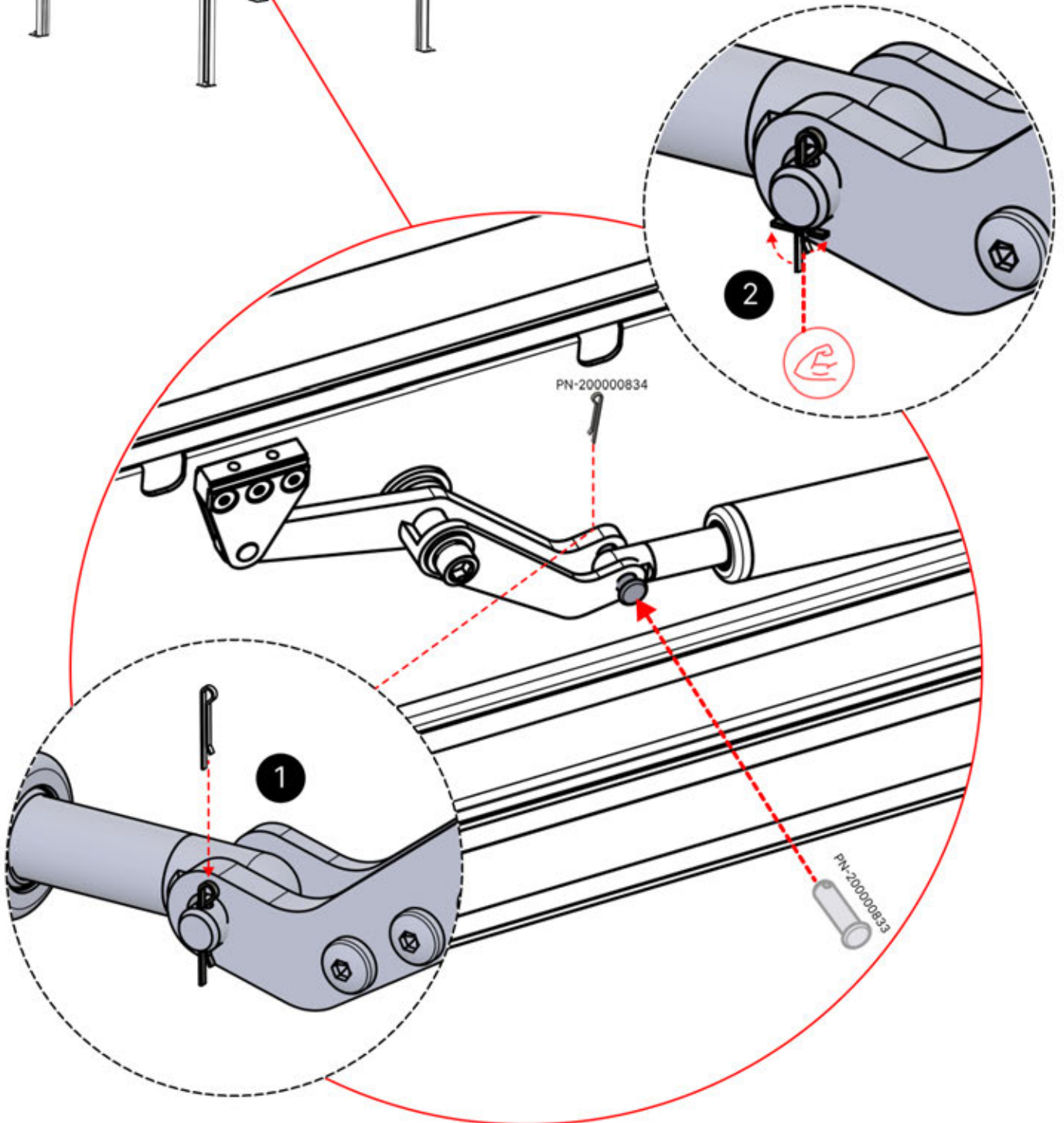
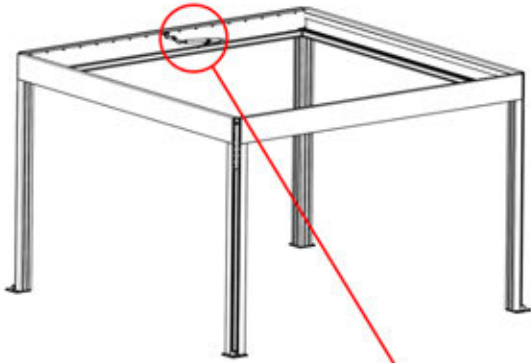
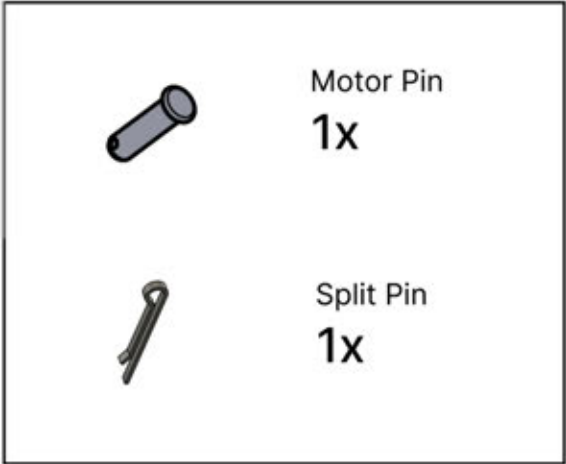
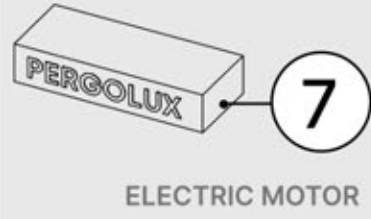
 <p>ANTHRACITE: L240 WHITE: L244 BLACK: L242</p>	 <p>PN-200002326 1x</p>
 <p>PN-200003500 1x</p>	 <p>PN-200002328 2x</p>
 <p>PN-200002330 1x</p>	 <p>PN-200002327 1x</p>
 <p>PN-200002324 1x</p>	 <p>PN-200002333 1x</p>
	 <p>PN-200002355 1x</p>



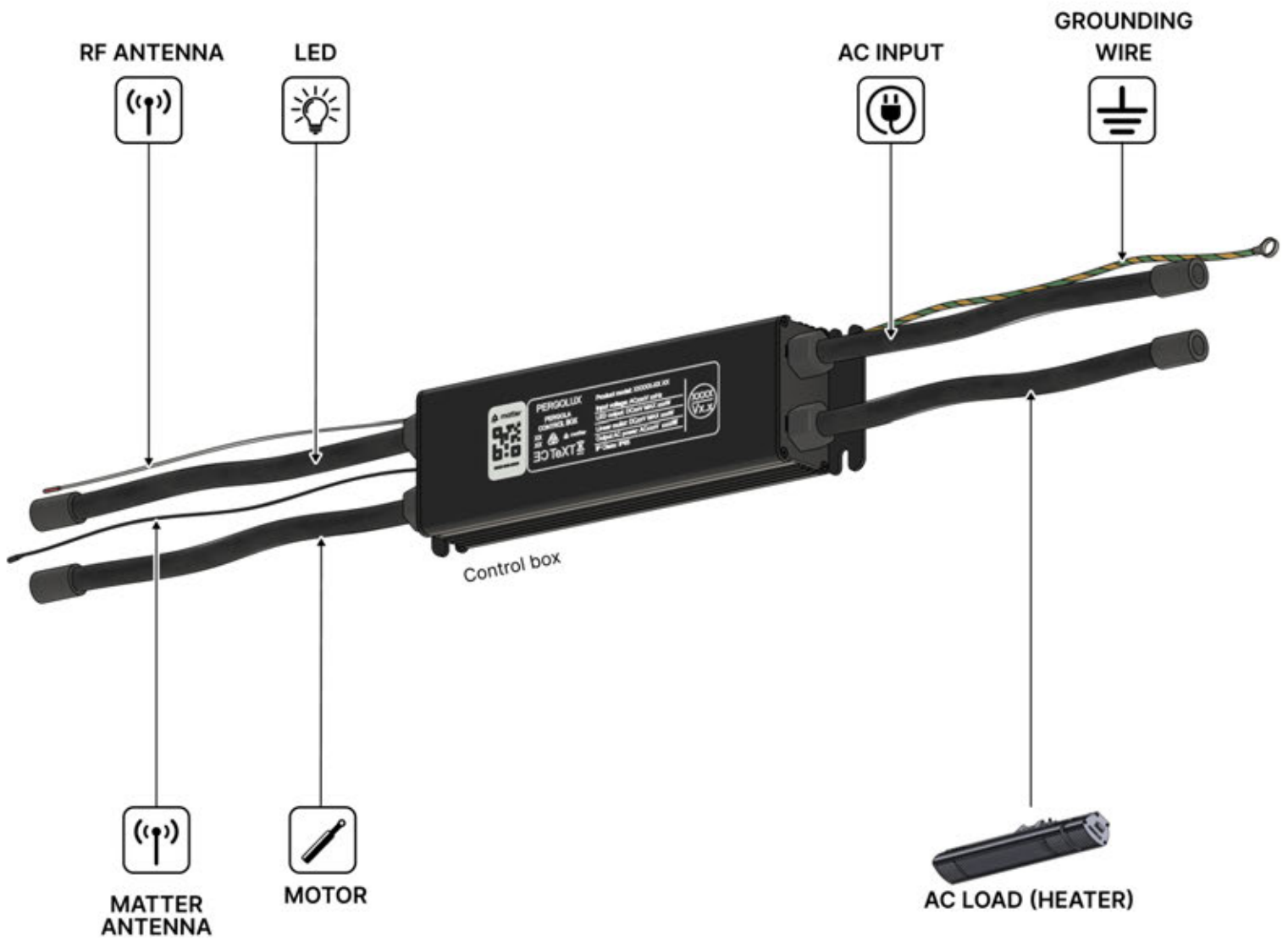
22



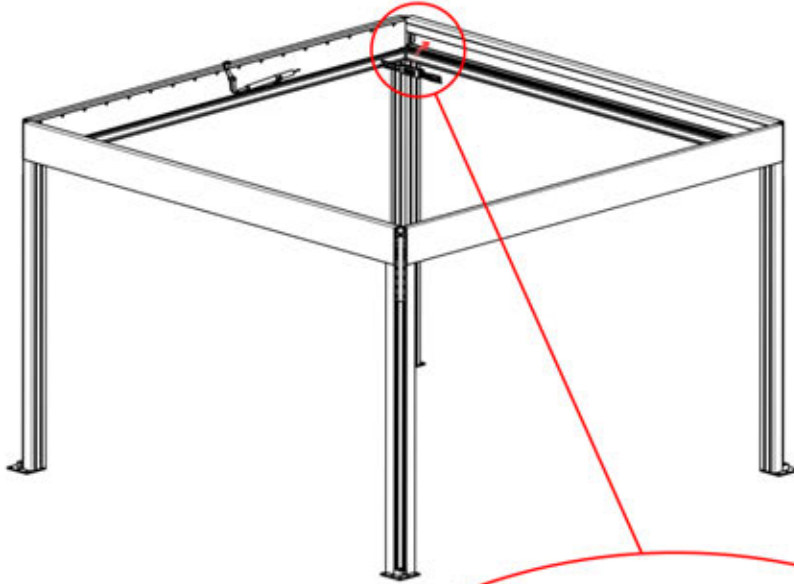
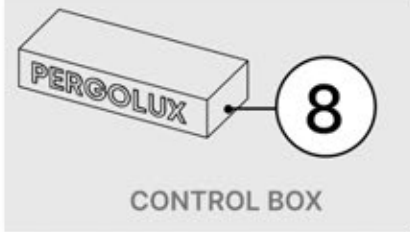
23



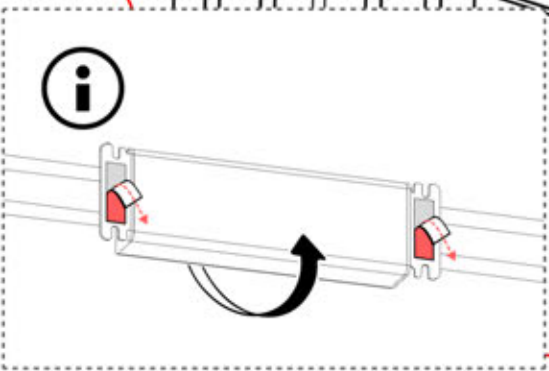
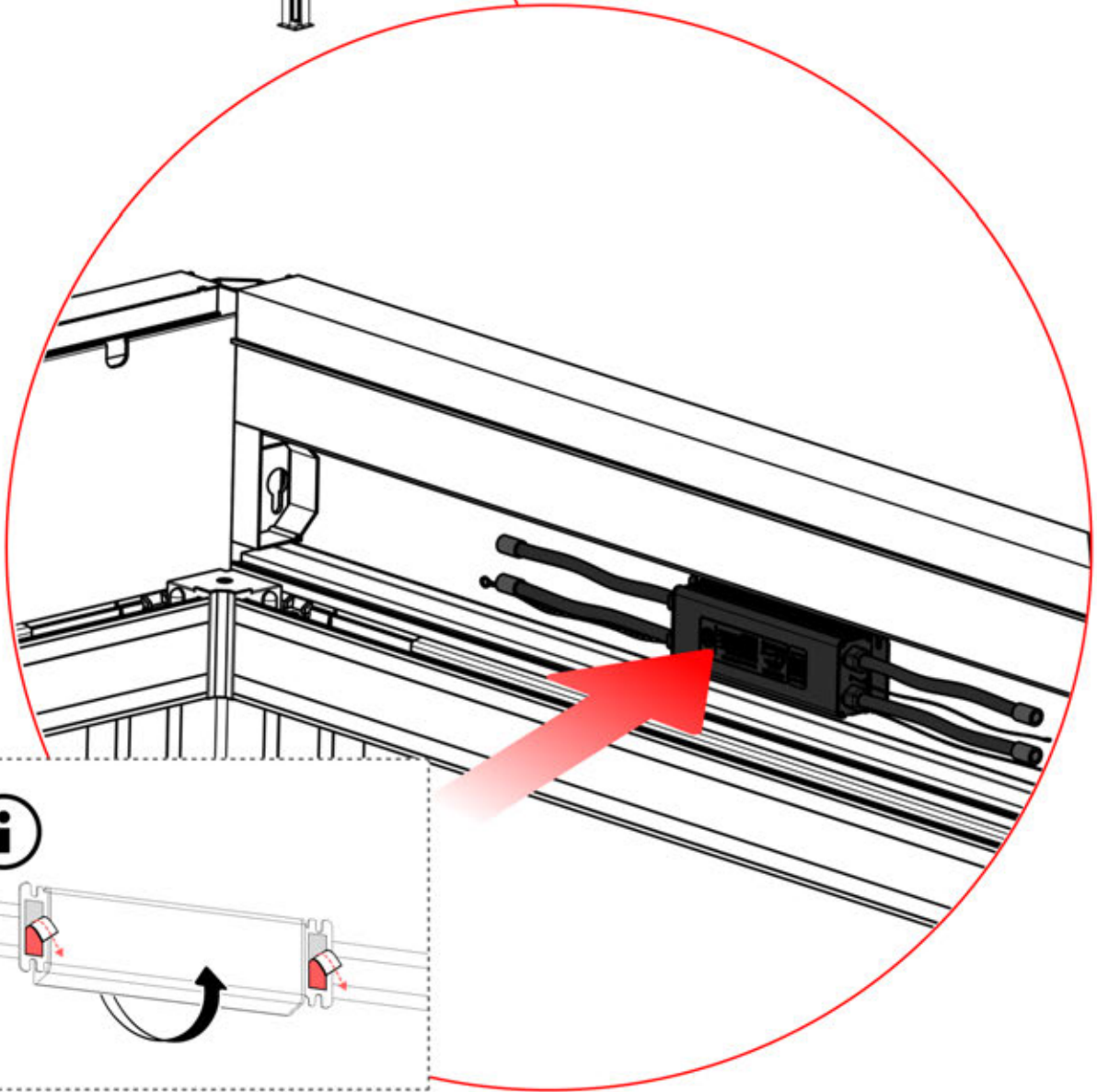
INPUTS AND OUTPUTS




24





!
Control Box can be
installed on
Preferred W BEAM

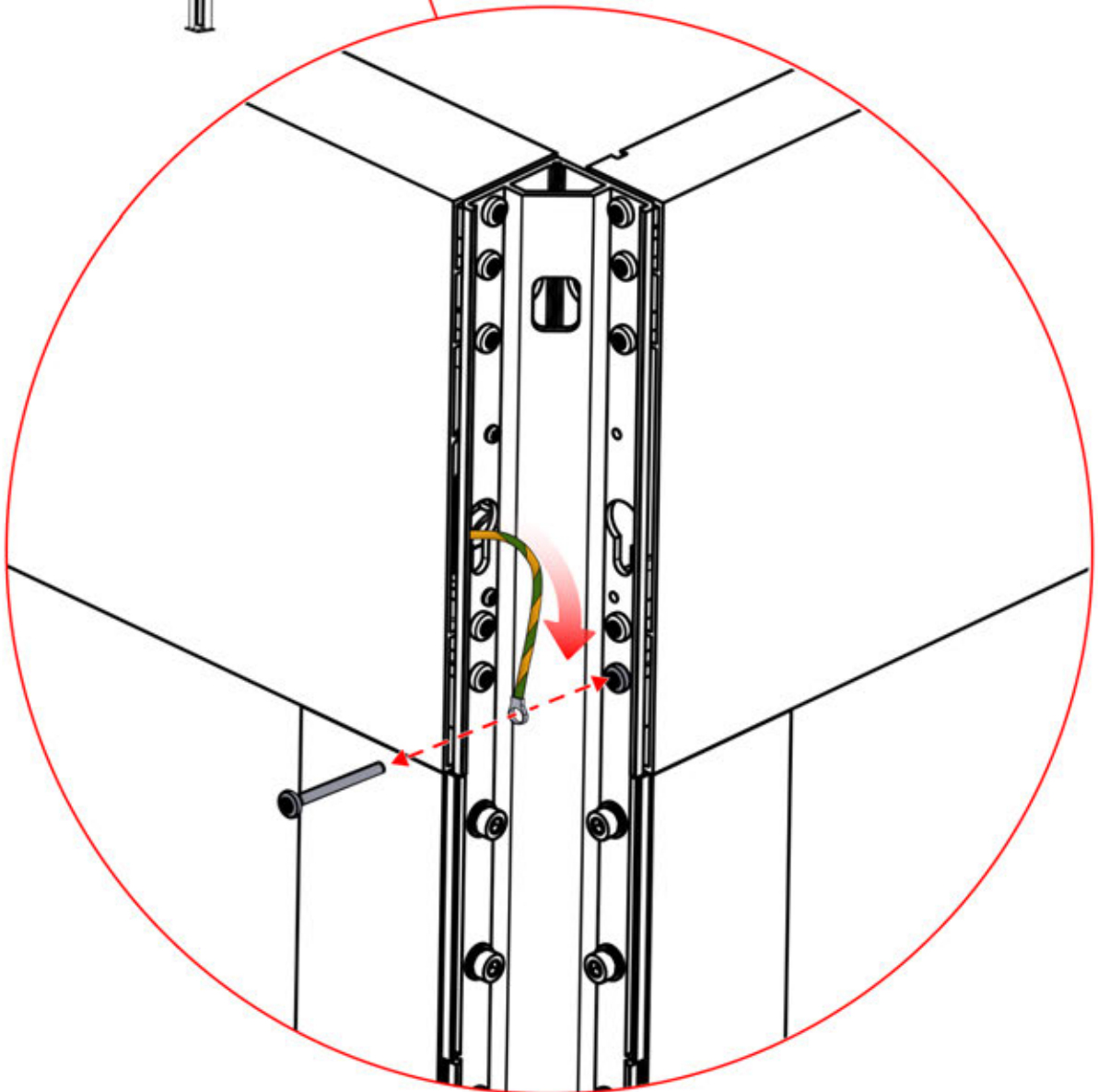
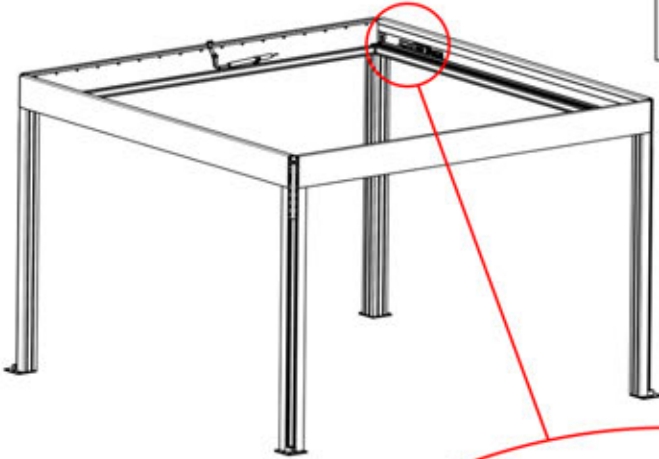


25

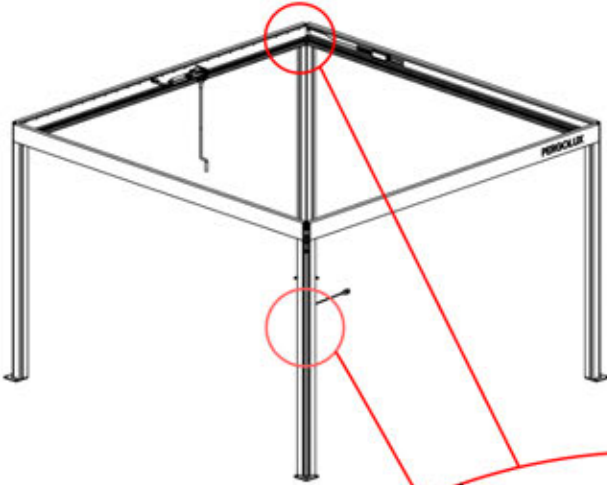
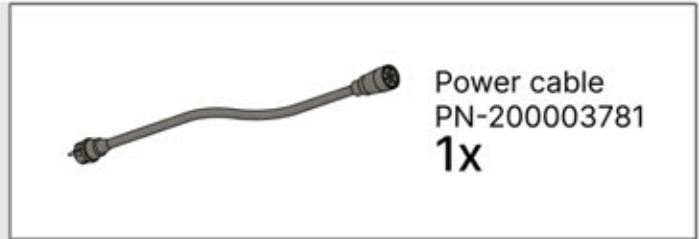
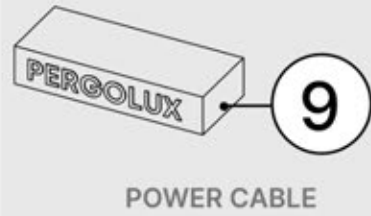
 Connect grounding wire before connecting to power!



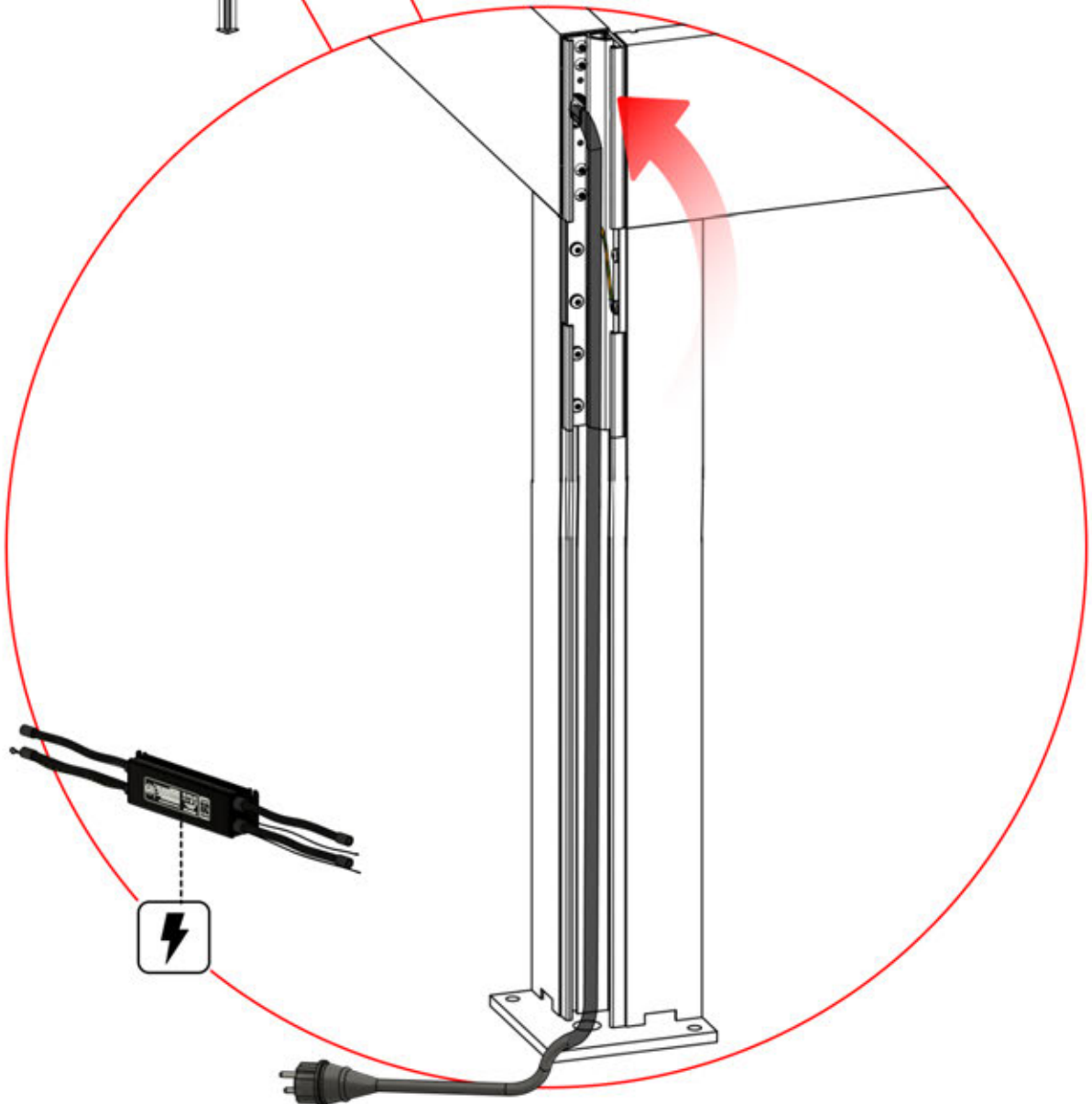
 GROUNDING



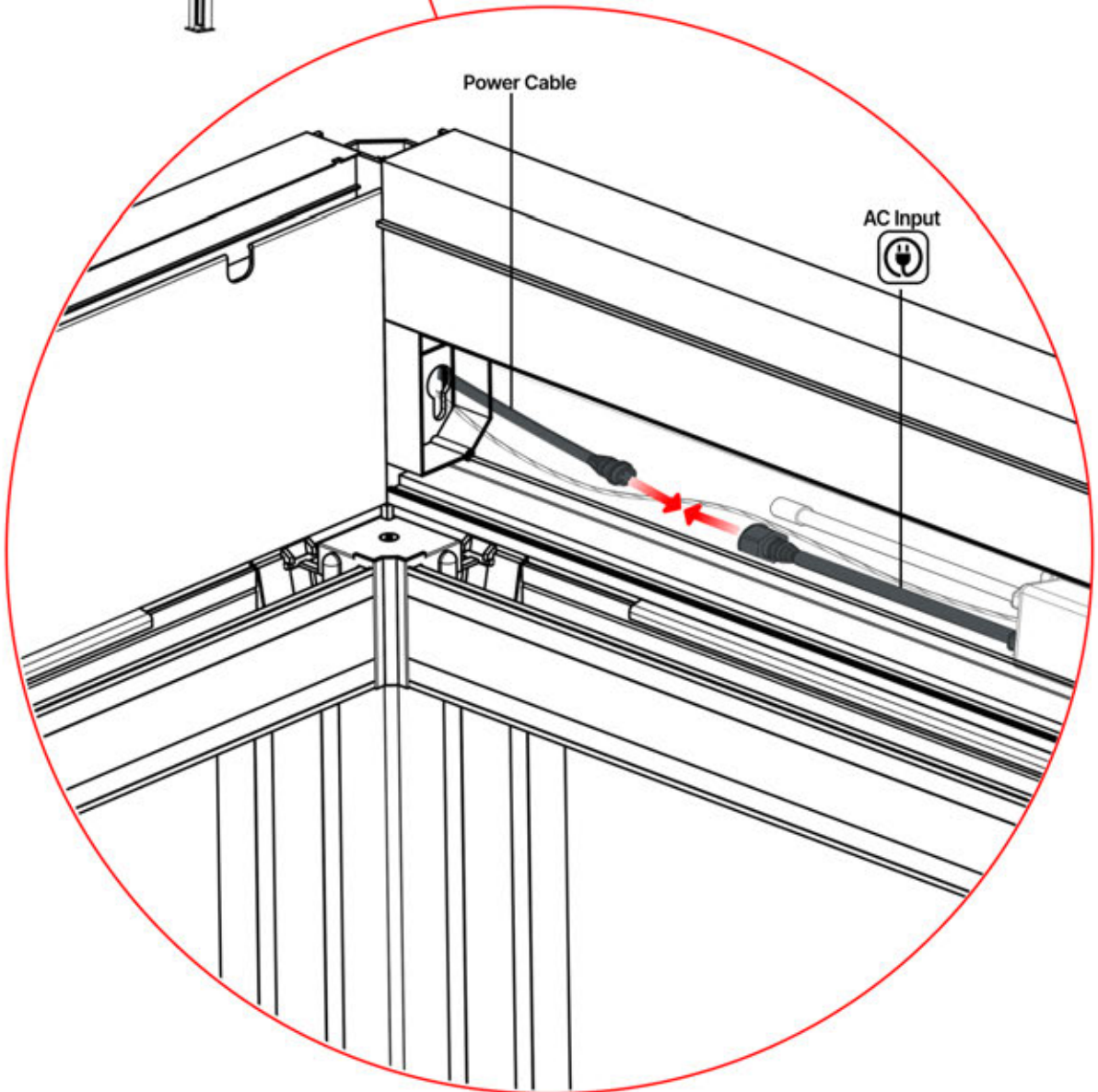
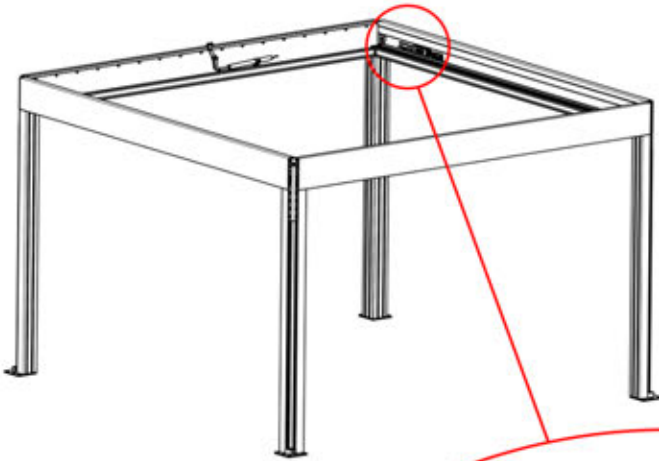
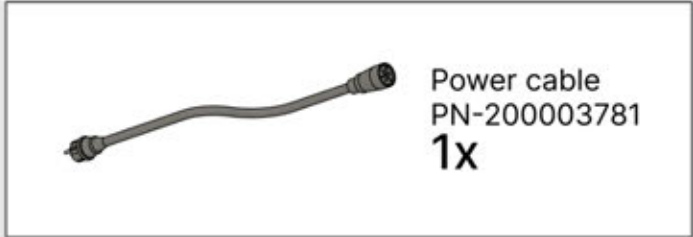
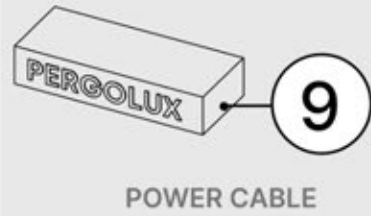
26



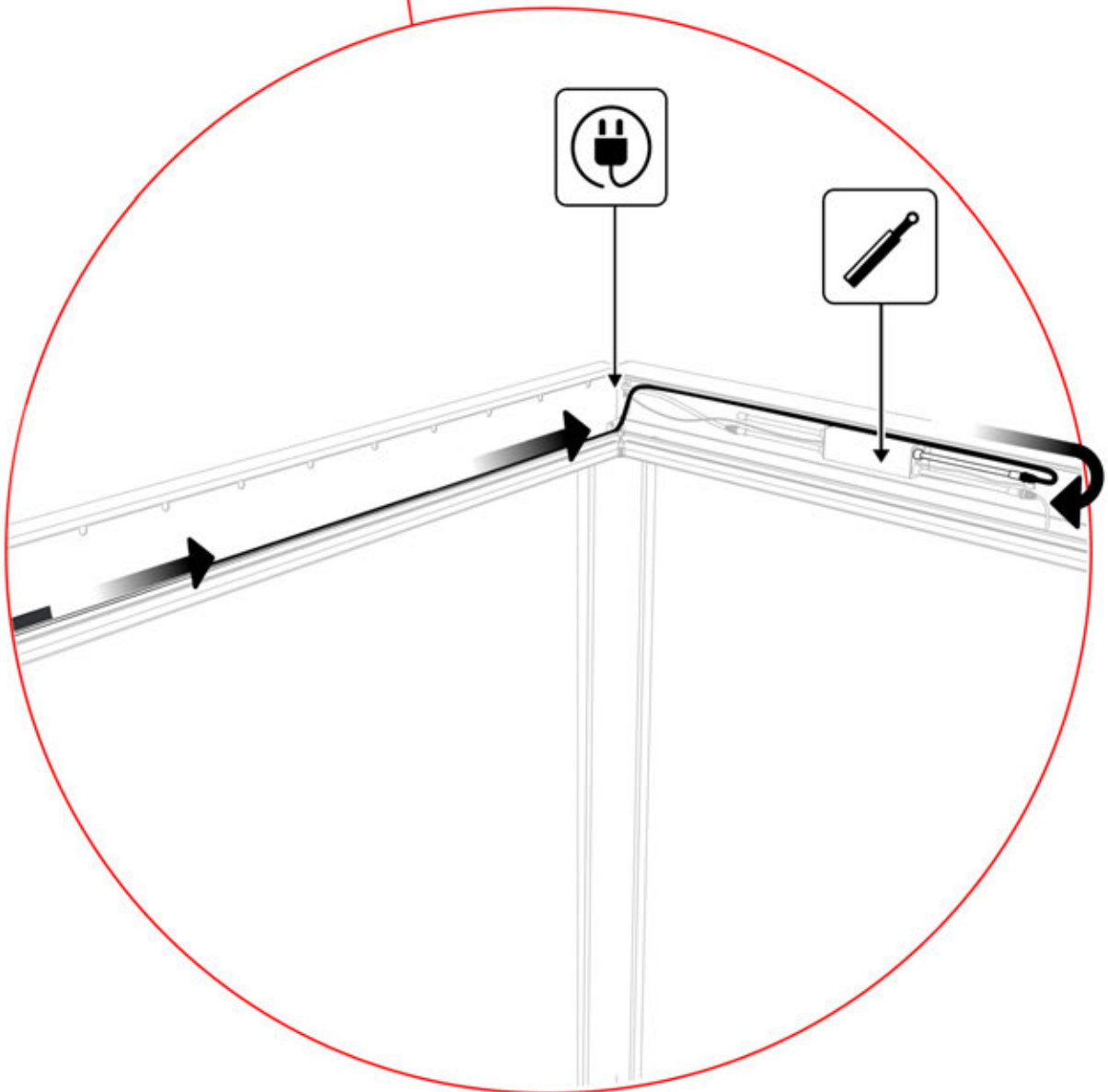
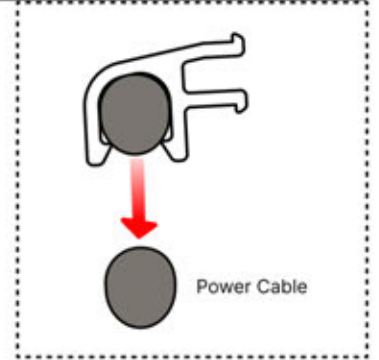
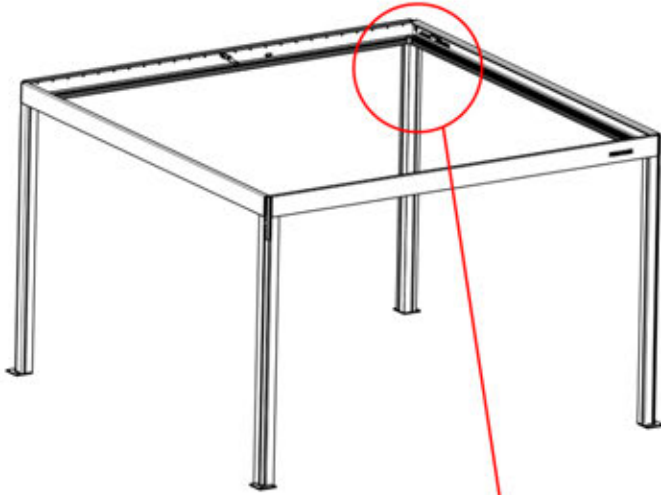
!
Power Cable can be
routed through all
the Poles.



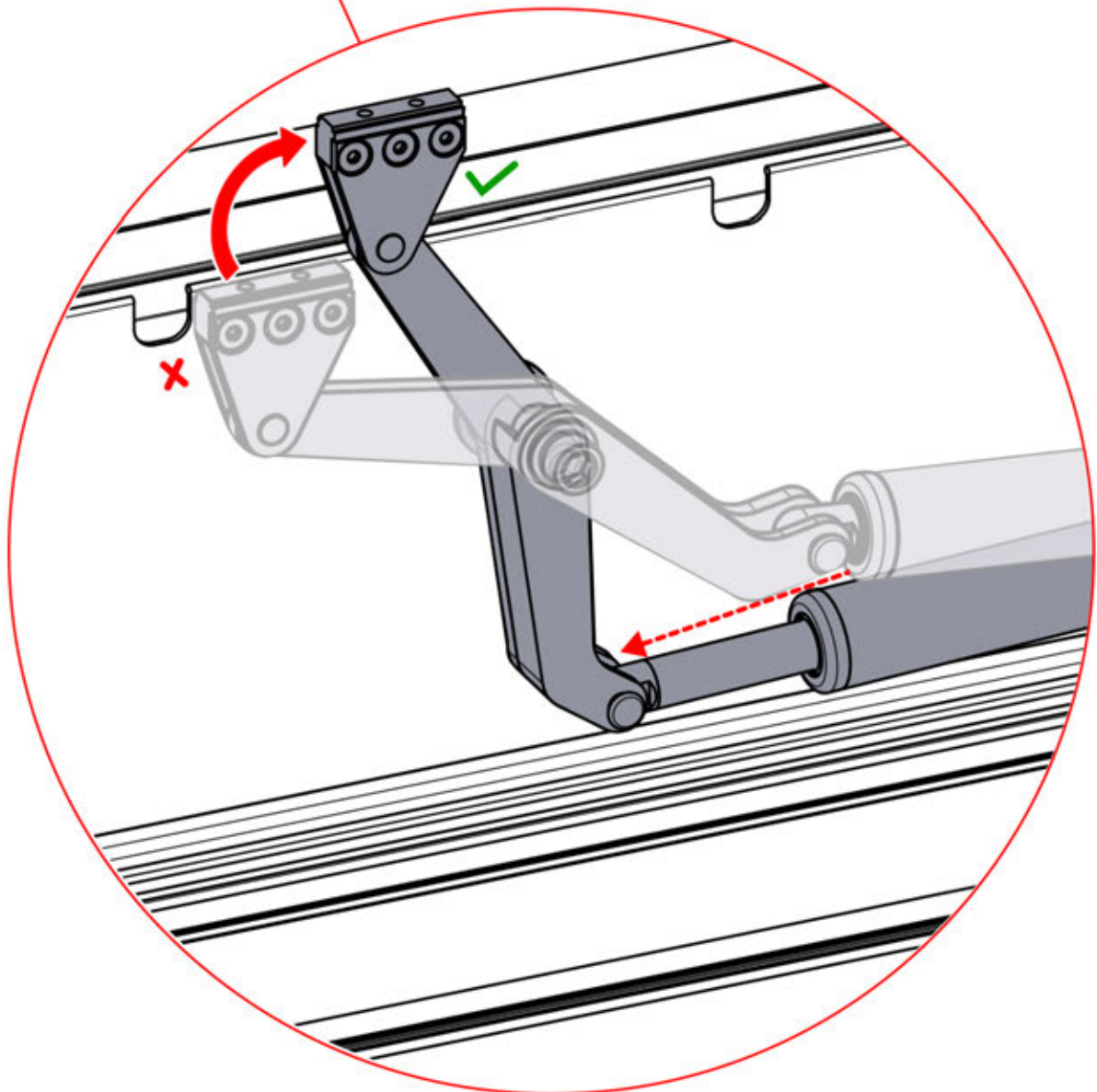
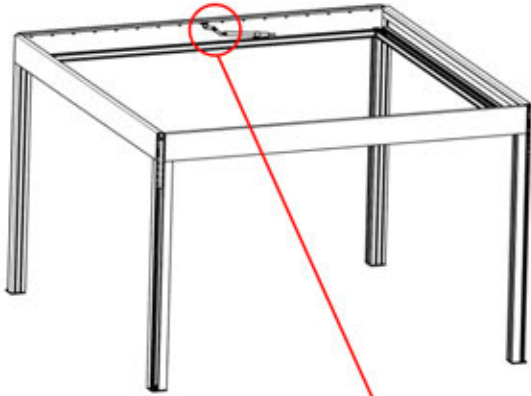
27



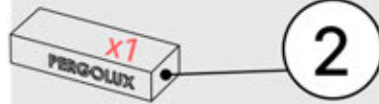
28



29



30



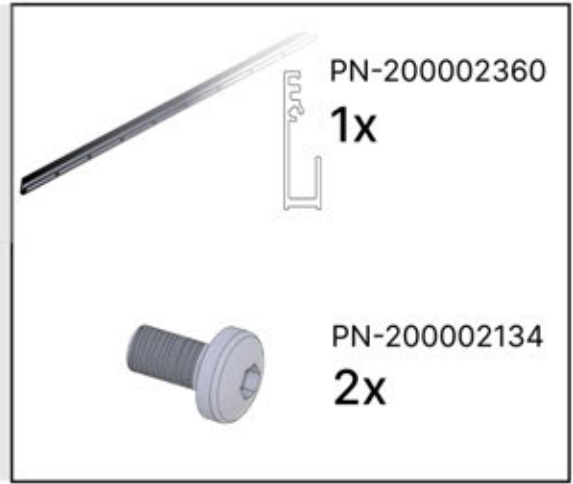
2

ANTHRACITE: B284
WHITE: B288
BLACK: B292



6

ANTHRACITE: L240
WHITE: L244
BLACK: L242

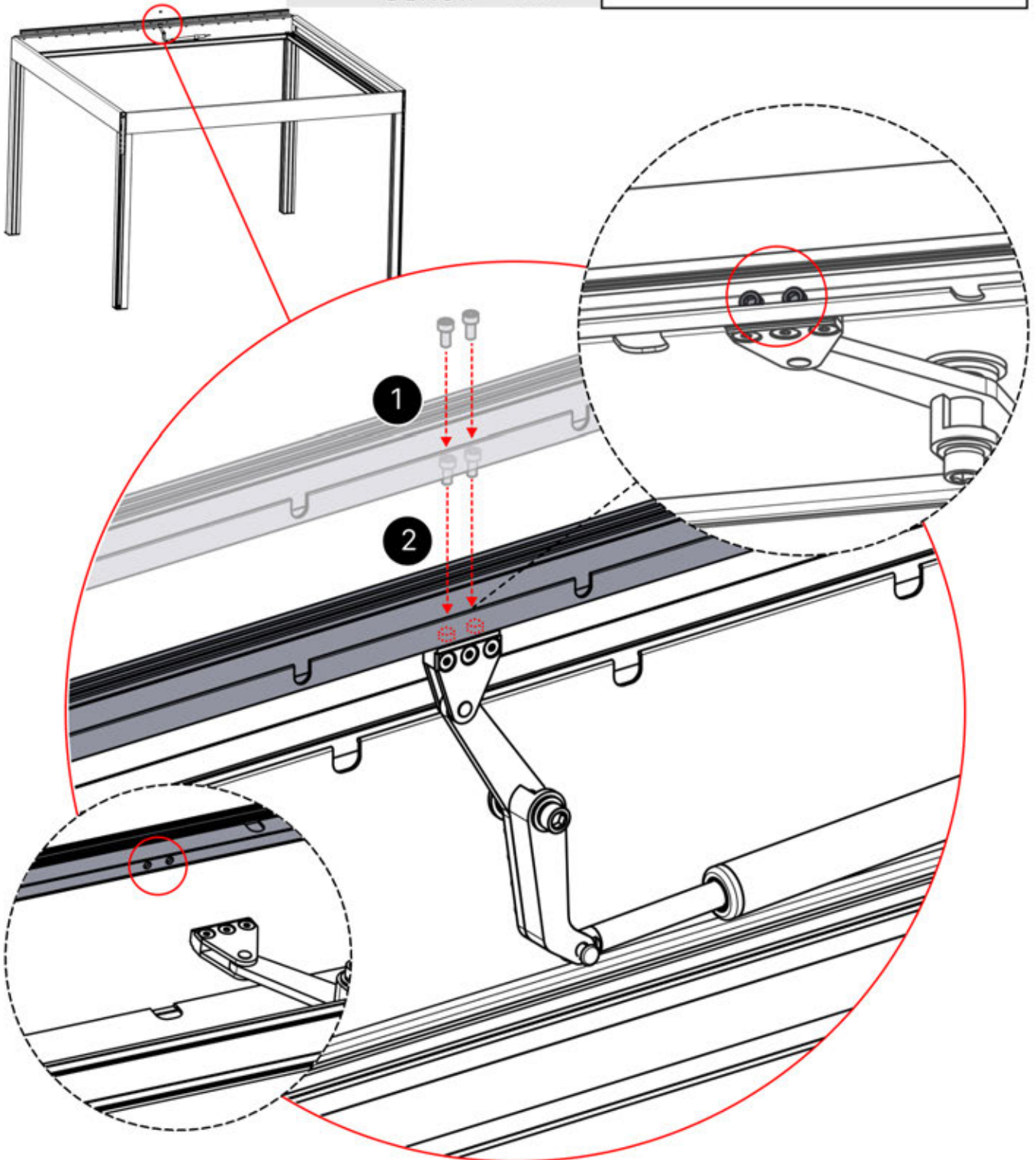


PN-200002360

1x

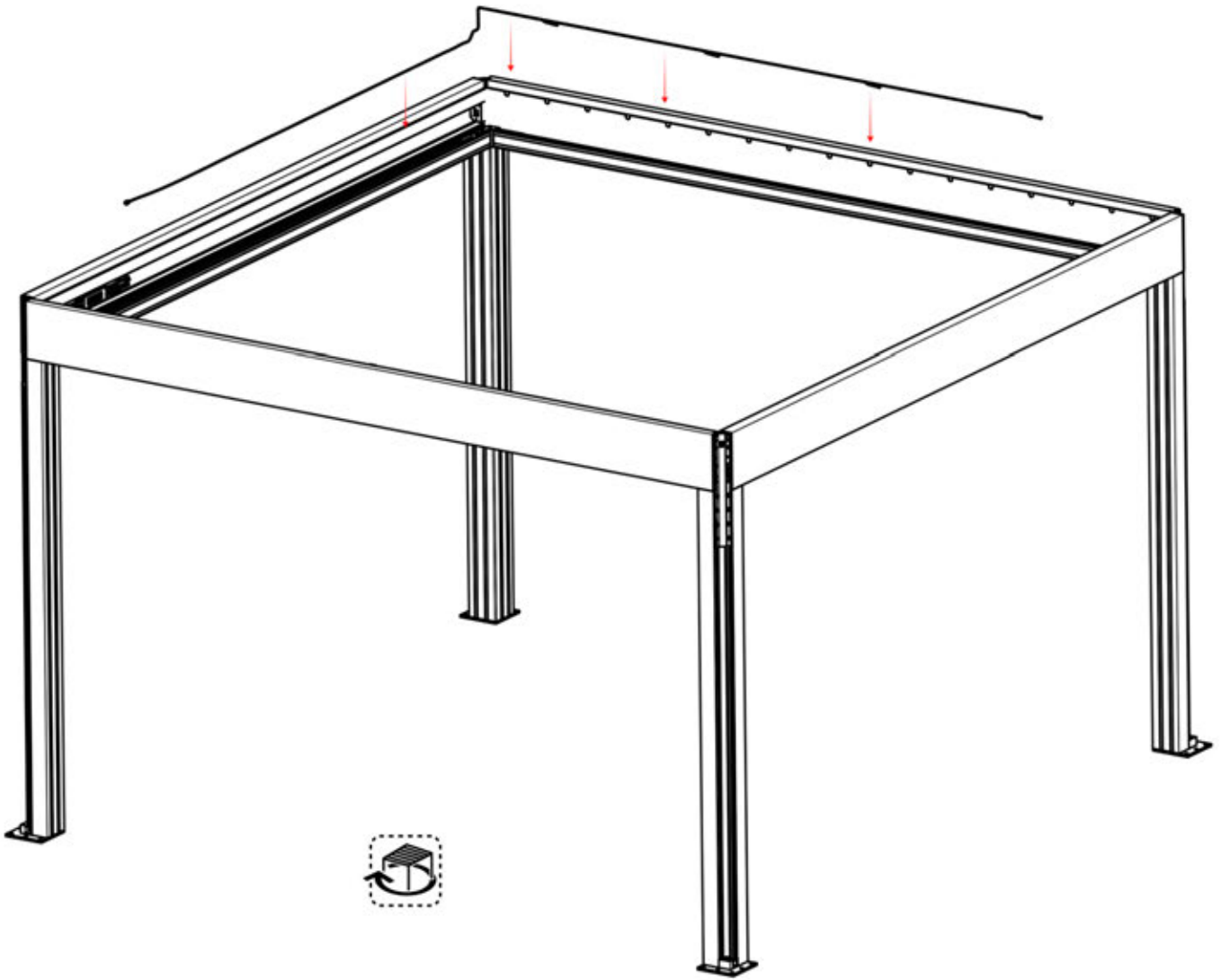
PN-200002134

2x

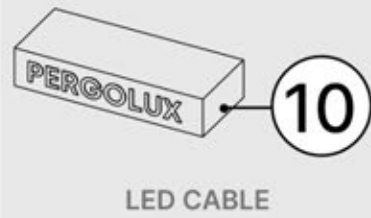


31

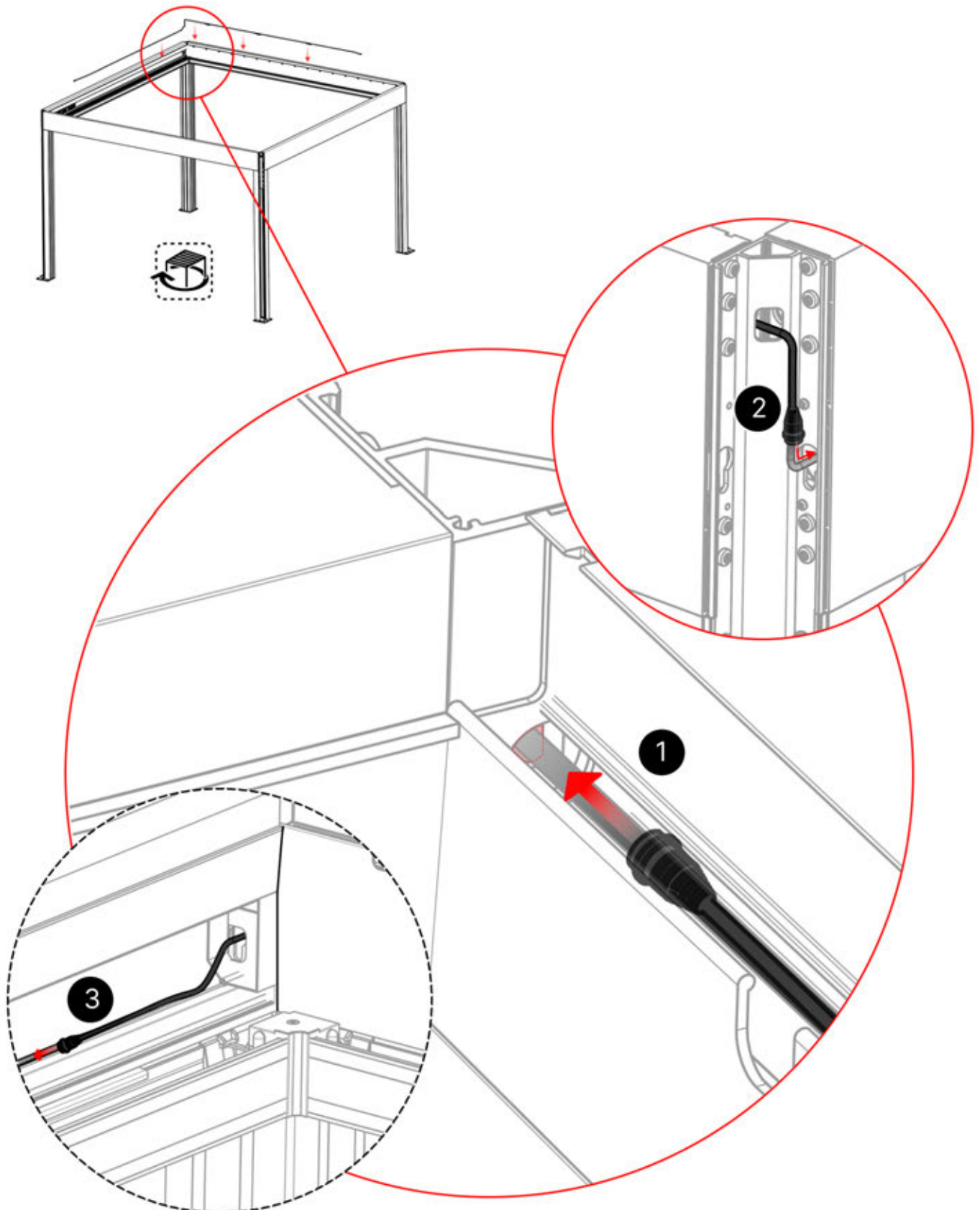
 <p>PERGOLUX LED CABLE</p> <p>10</p>	 <p>4 LED HARNESS</p>
---	---



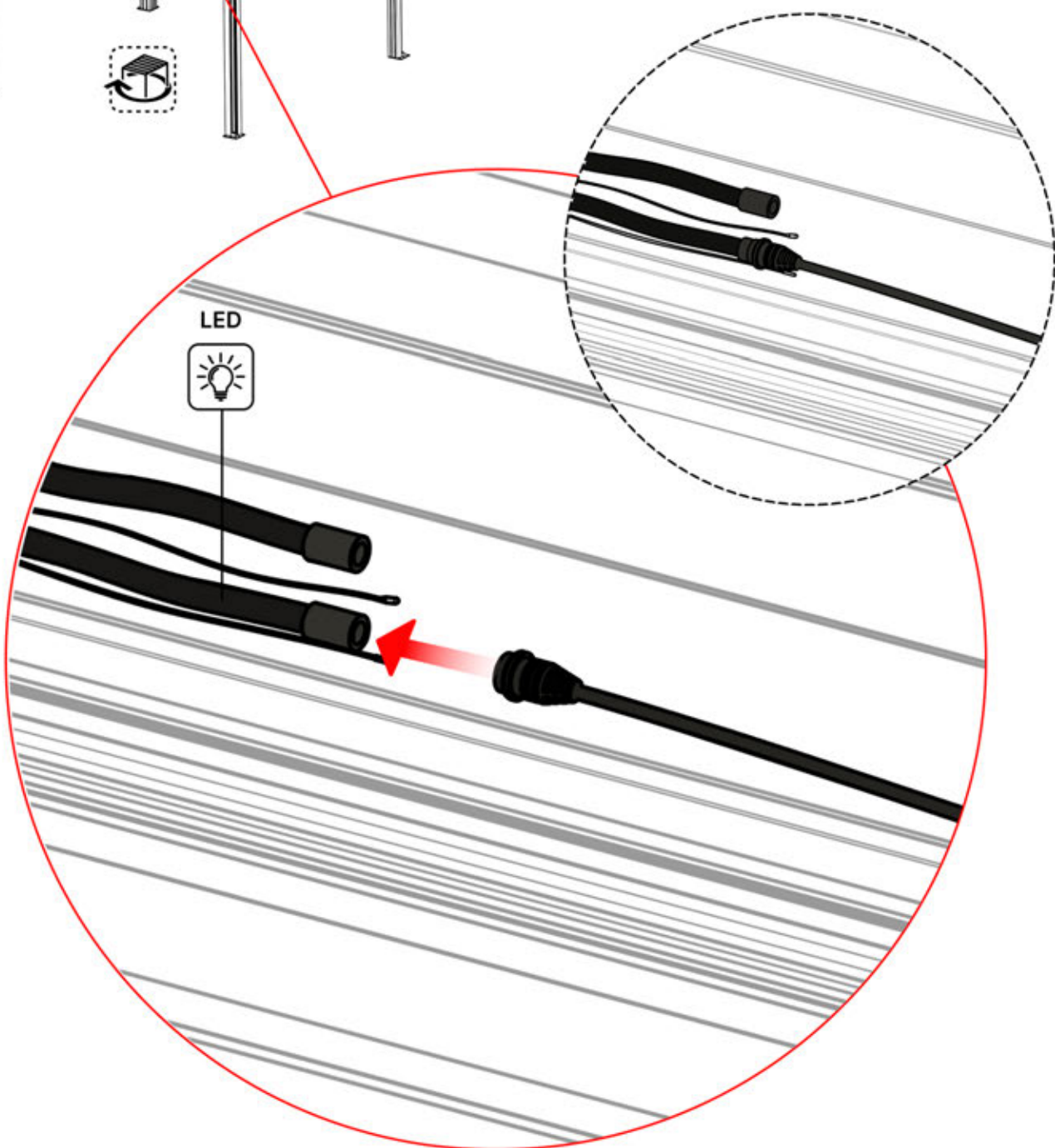
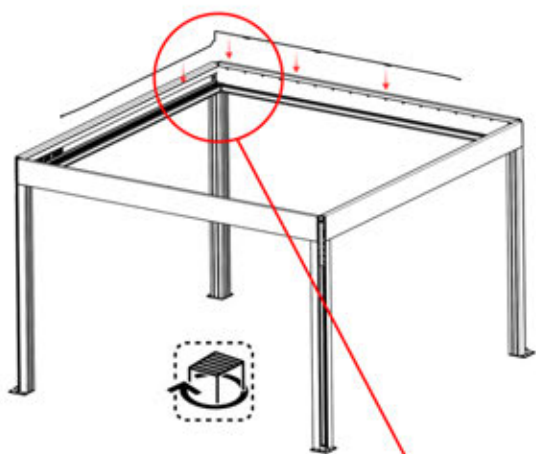
32



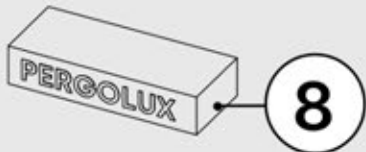

4 LED HARNESS

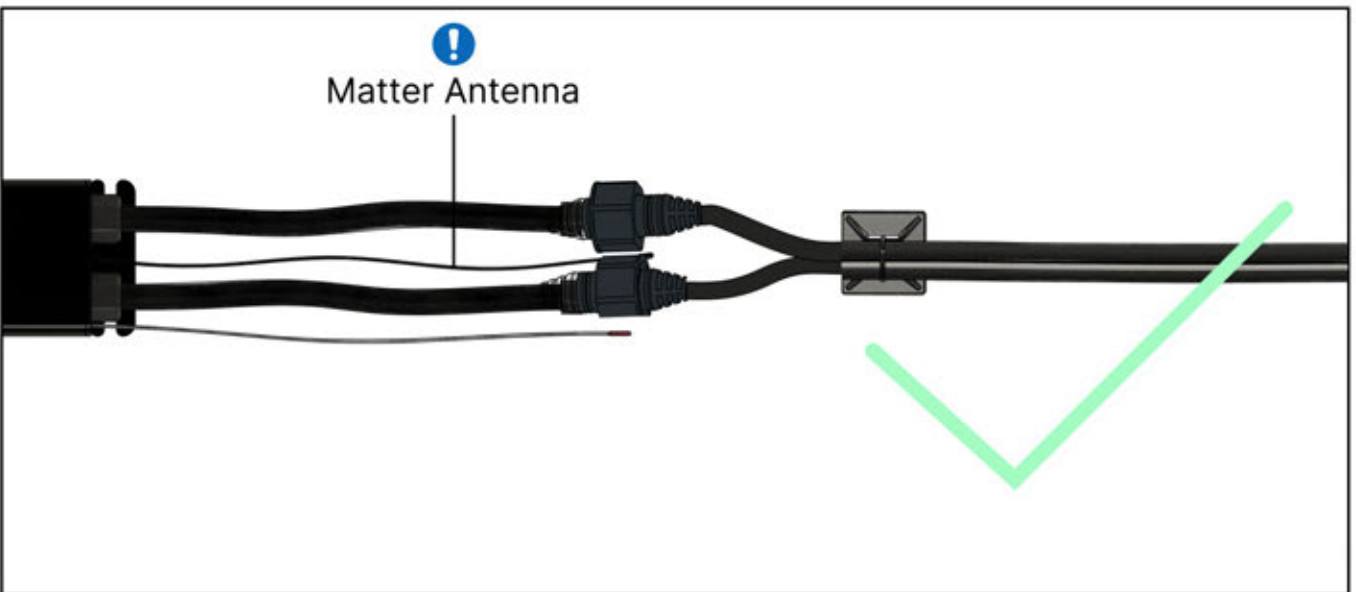
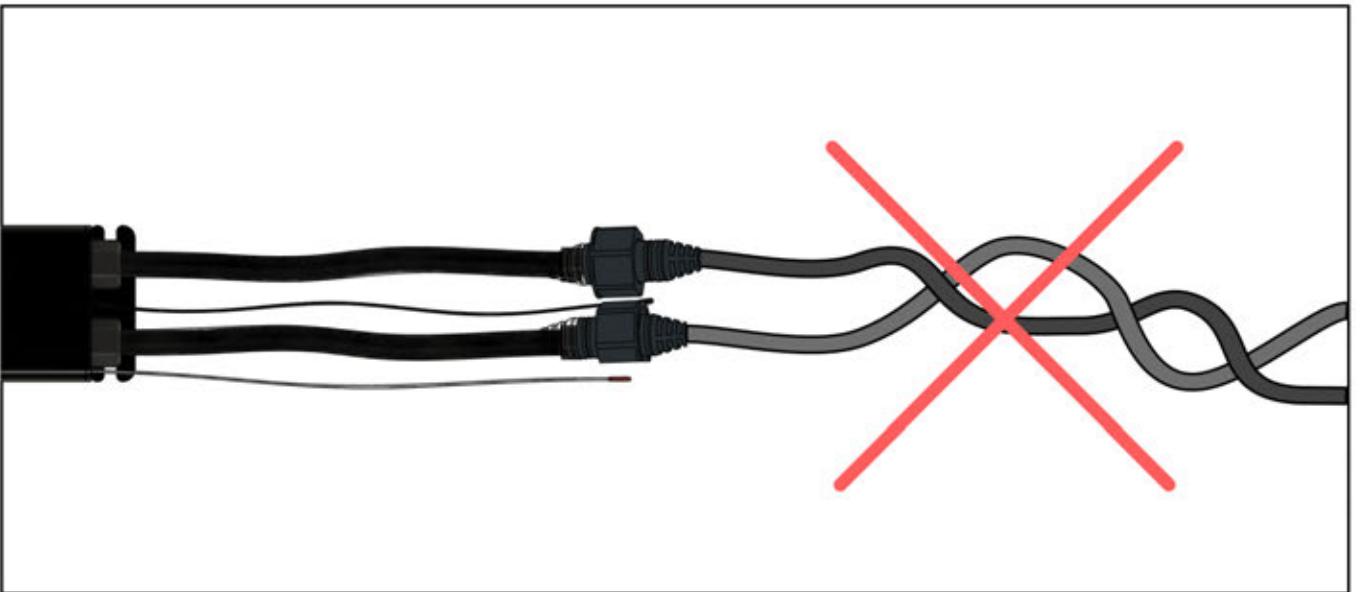


33

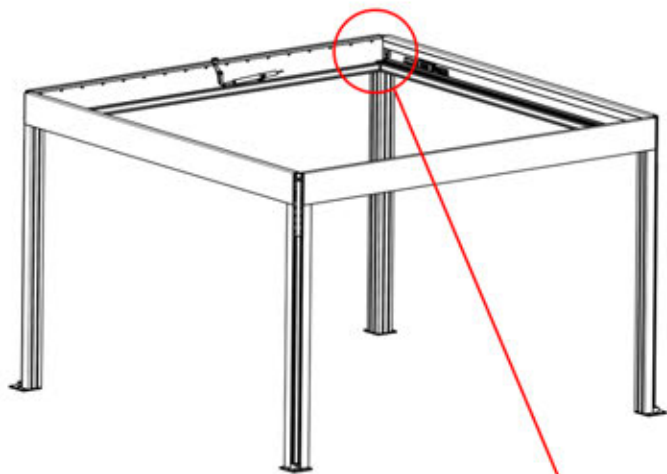



34

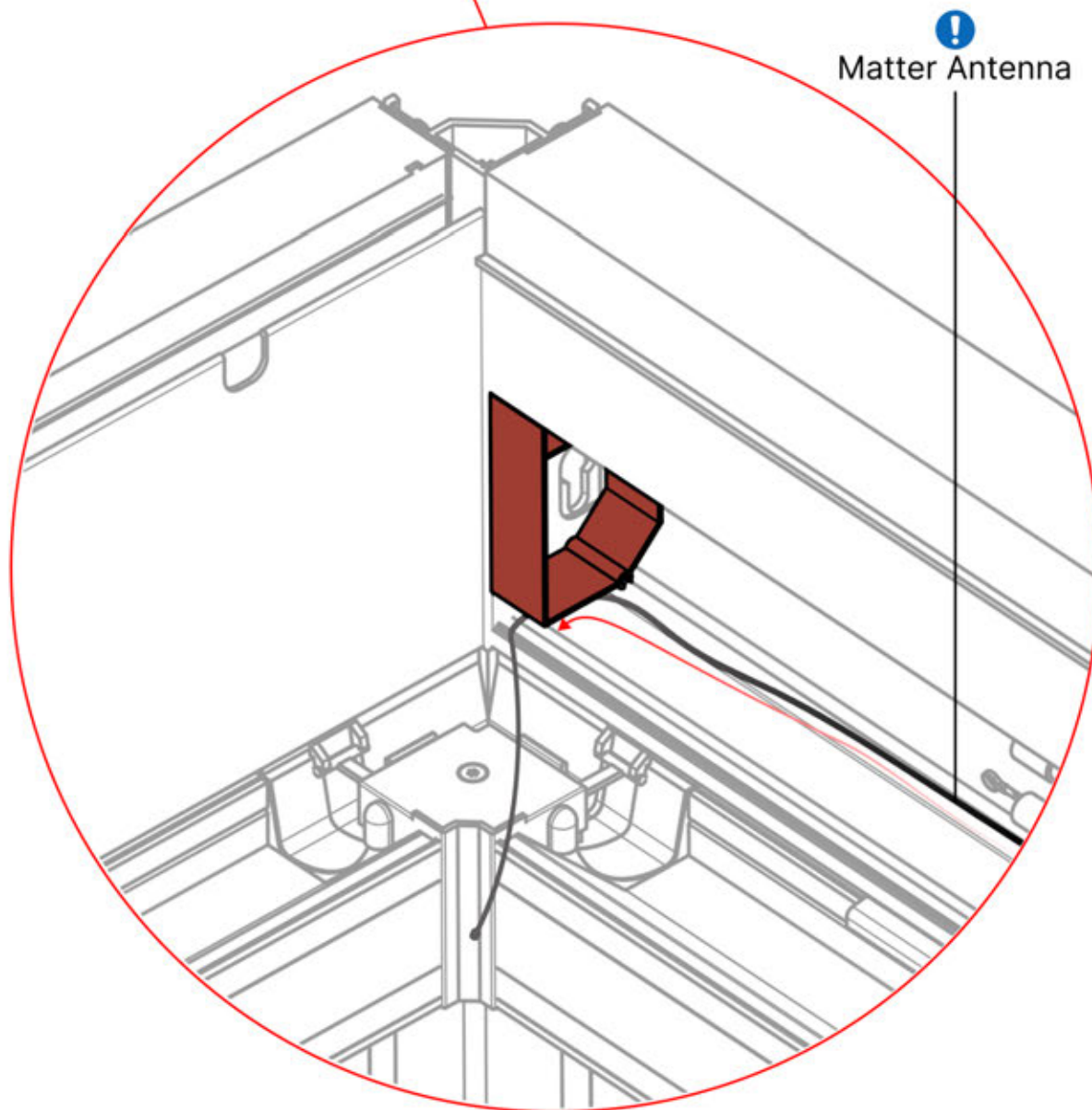
 <p>CONTROL BOX</p>	S4	PN-200002683 5x
<p>⚠ Keep the Matter Antenna wire free and do not tie them with LED and Motor wire</p>		PN-200002684 10x



35




Route the Matter
Antenna and place it
below the highlighted
part(PN-200002329).




36

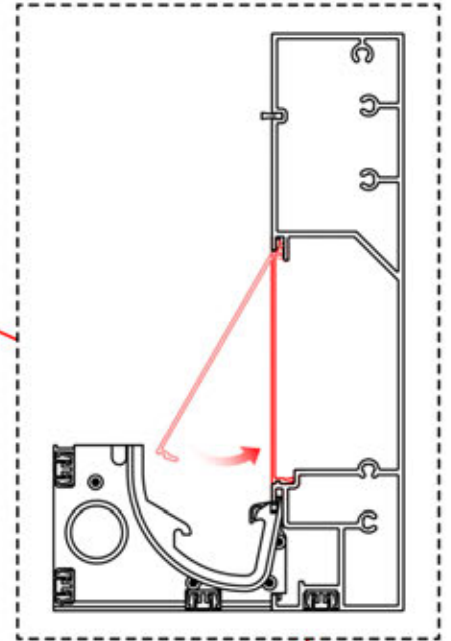
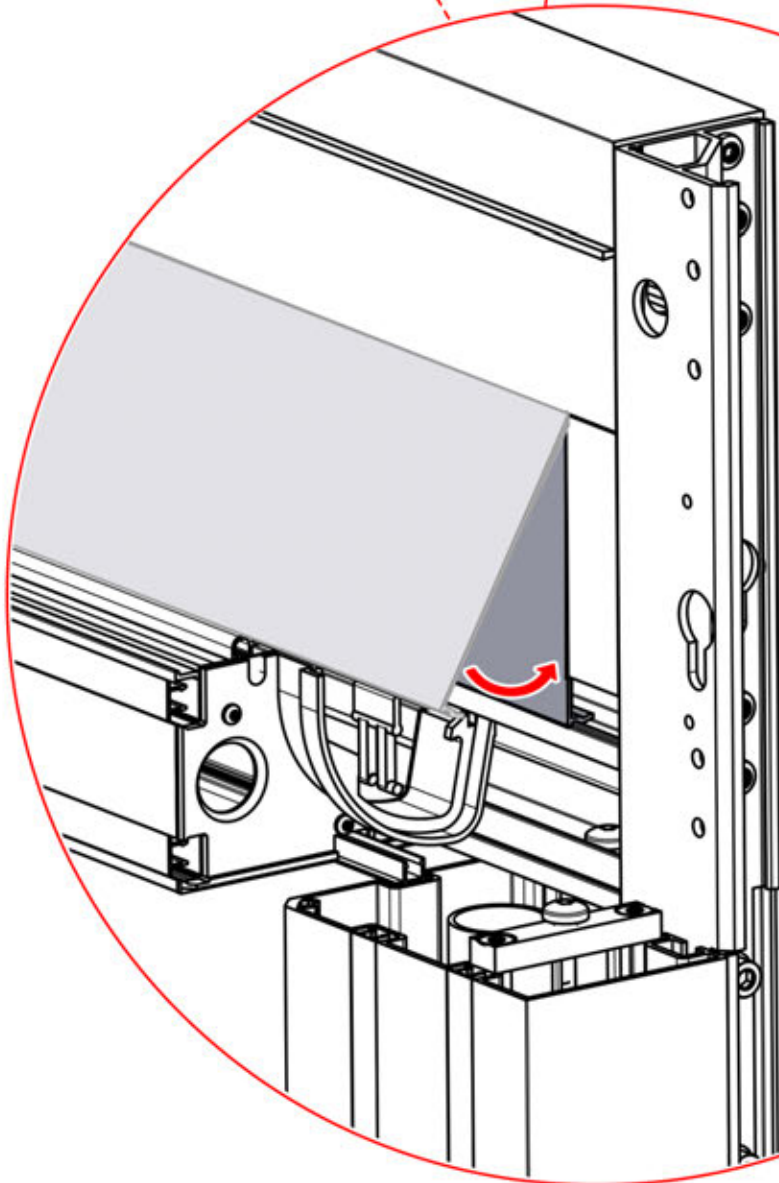
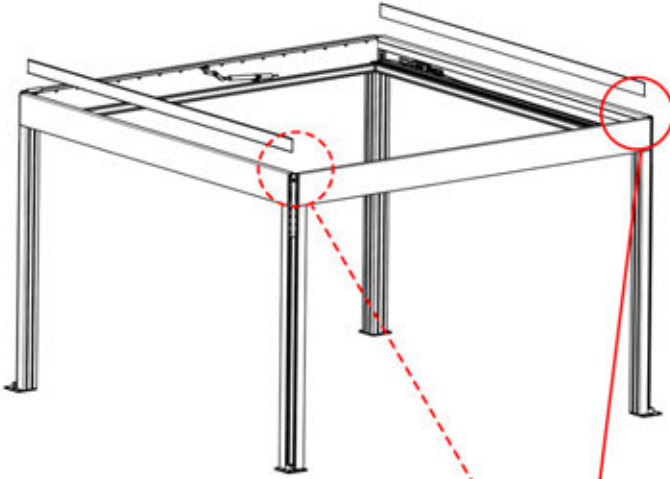
x1
PERGOLUX

3

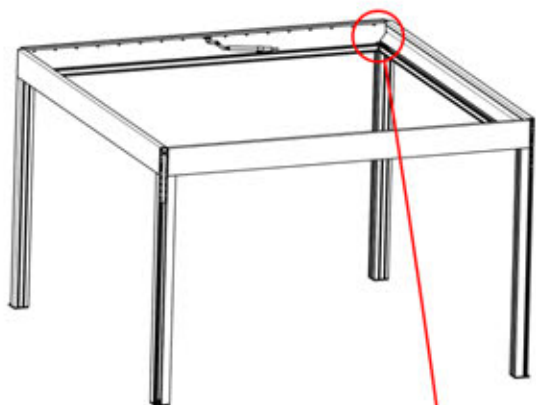
ANTHRACITE: B308
WHITE: B310
BLACK: B312



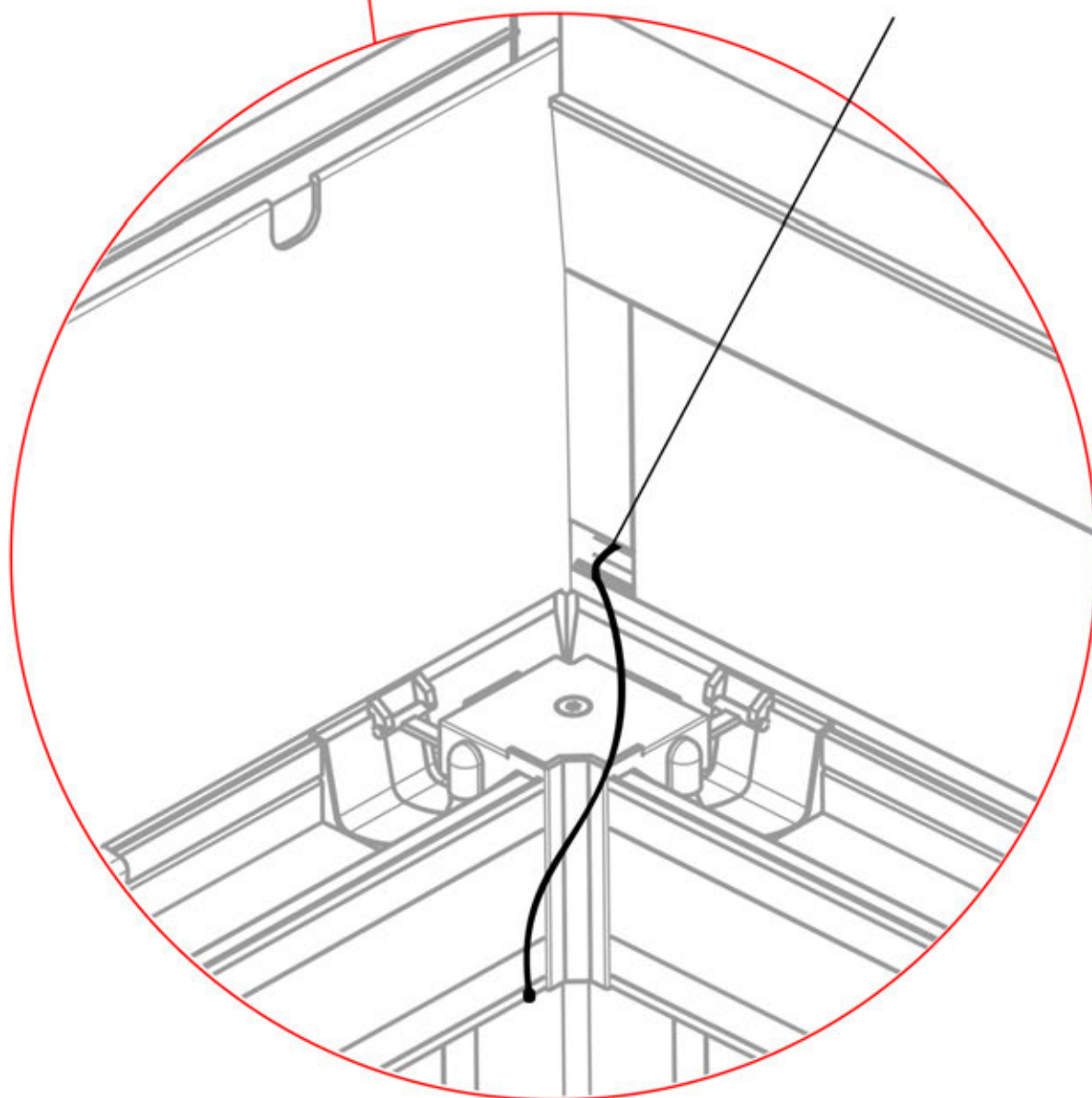
PN-200002352
2x



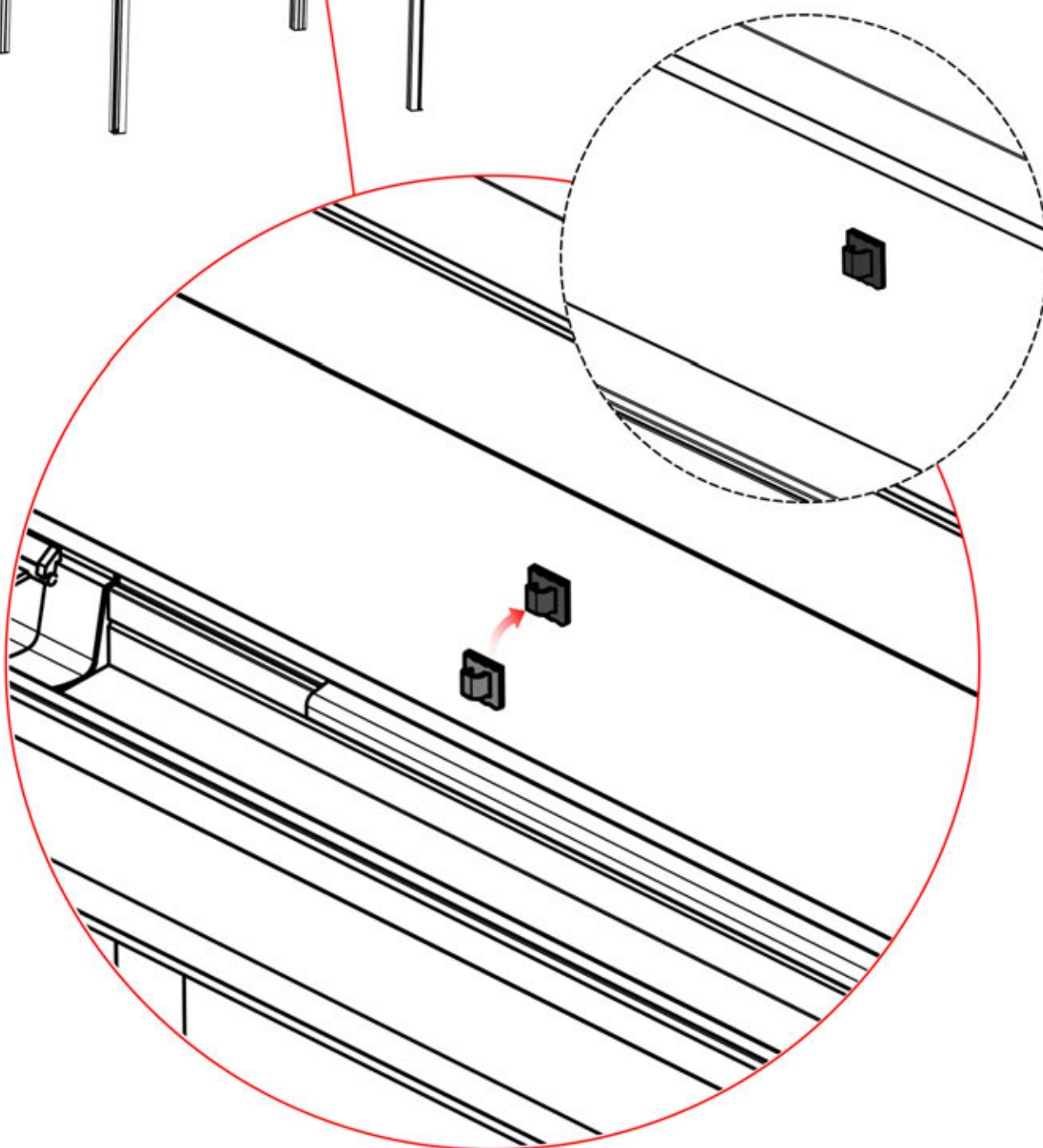
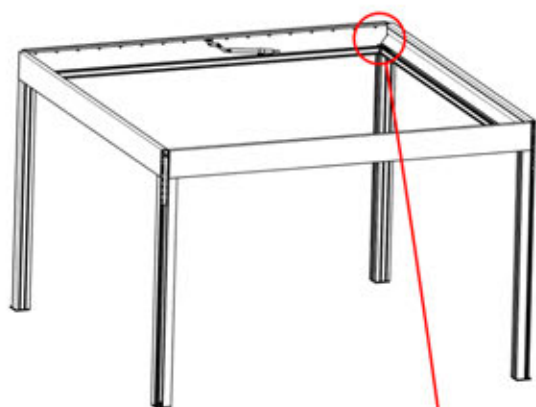
INFORMATION

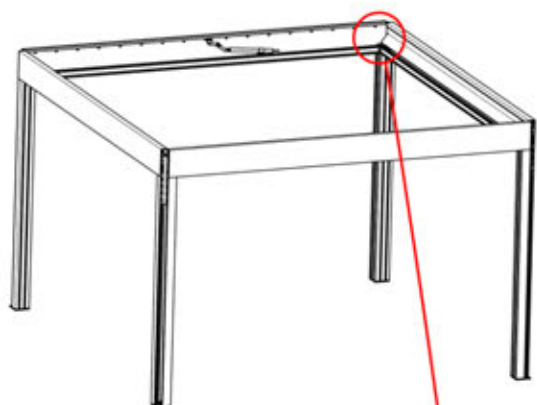


!
Matter Antenna

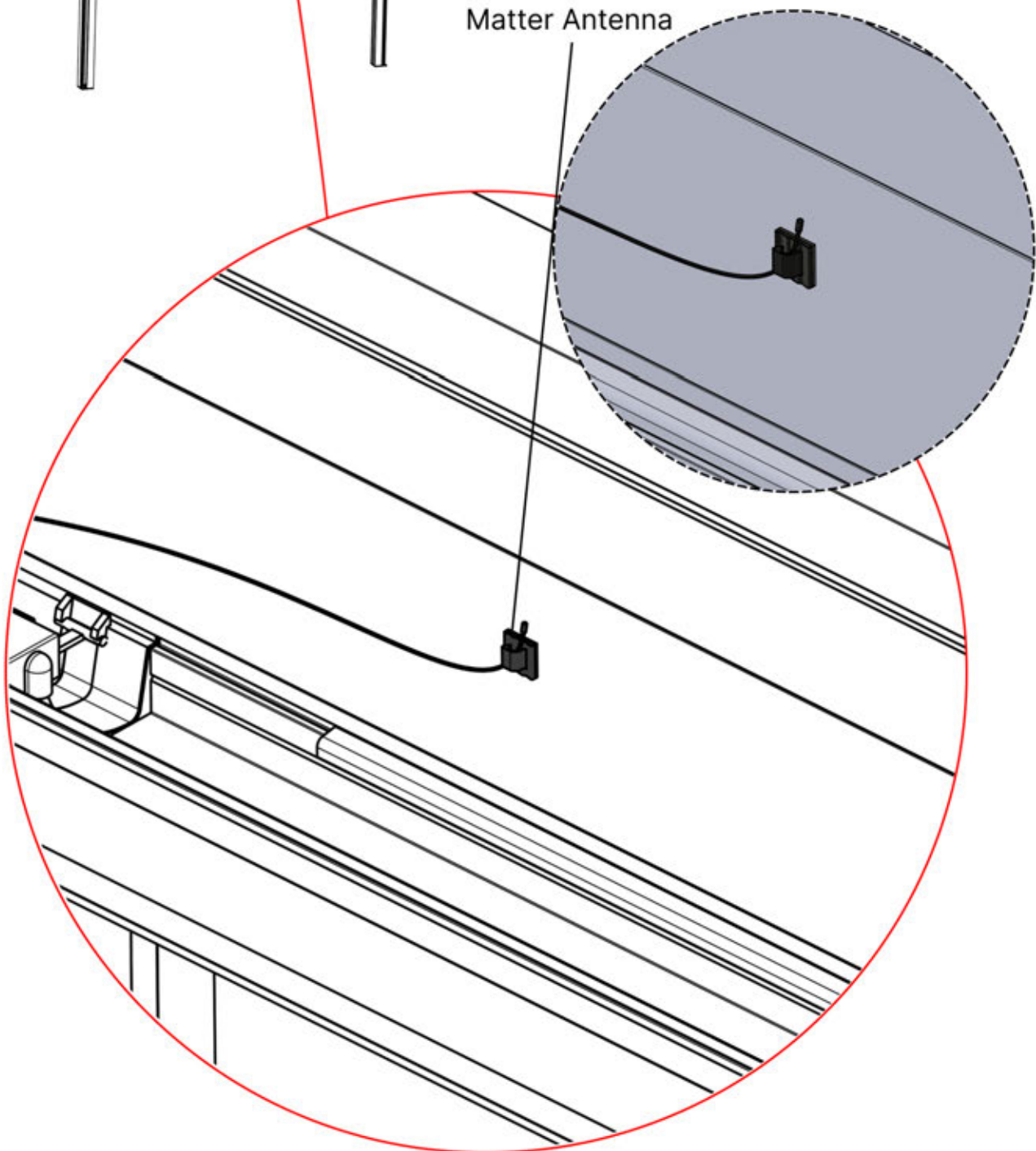


37





Matter Antenna





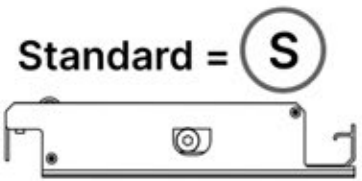
PERGOLUX PRO MAX 4x4

PN-200002366



L240
L244
L242

12x

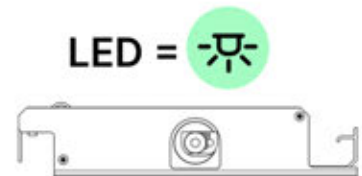


PN-200002364



L252
L256
L254

4x

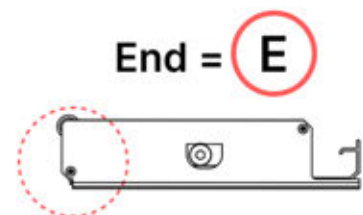


PN-200002362



L264
L268
L266

1x



39

x2
FERGOLUX
FERGOLUX

5

ANTHRACITE: L252
WHITE: L256
BLACK: L254

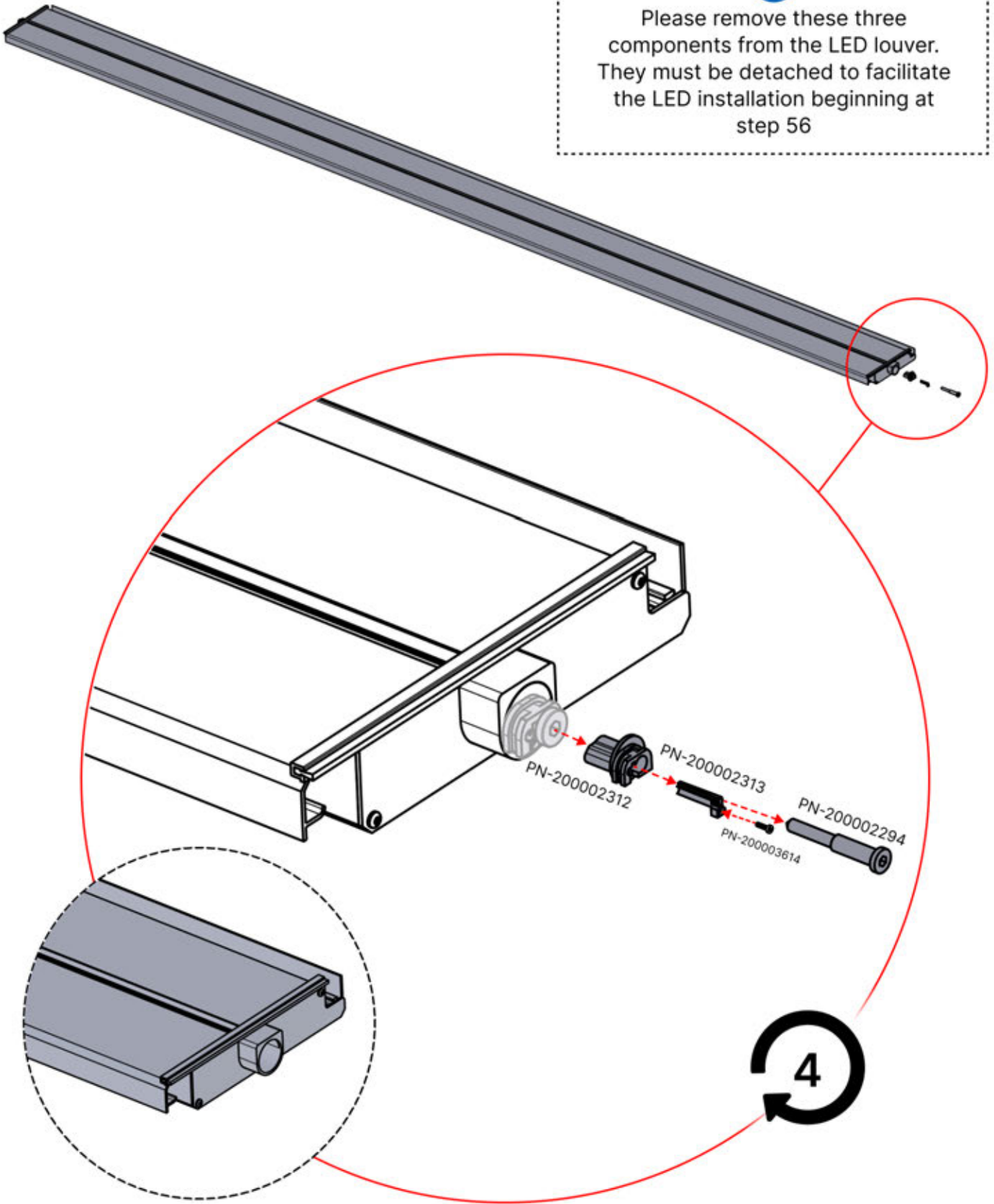


PN-200002364
4x





Please remove these three components from the LED louver. They must be detached to facilitate the LED installation beginning at step 56




40

x2
FERGOLUX
FERGOLUX

5

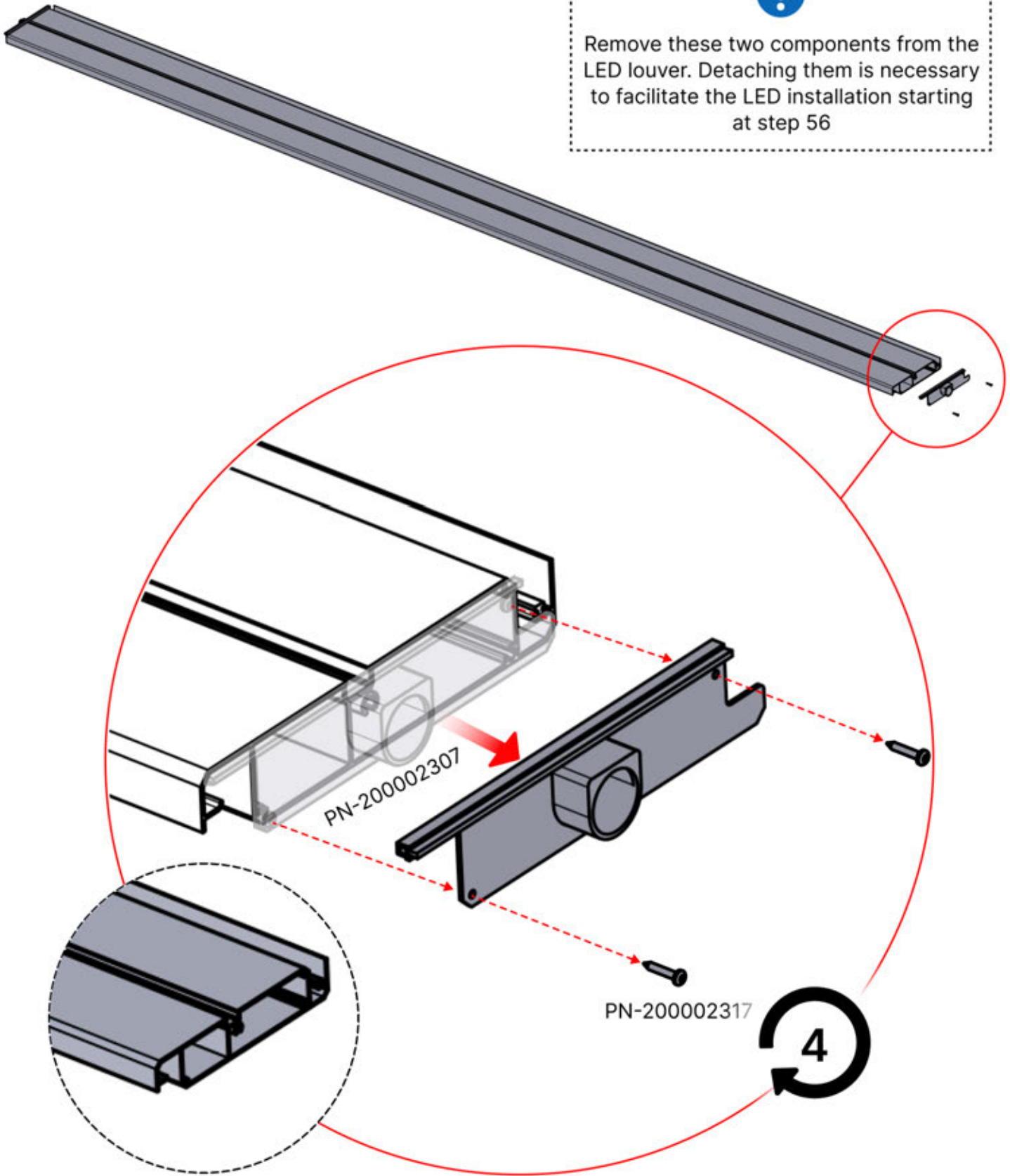
ANTHRACITE: L252
WHITE: L256
BLACK: L254

 PN-200002364
4x





Remove these two components from the LED louver. Detaching them is necessary to facilitate the LED installation starting at step 56



41

x2
PERGOLUX
PERGOLUX


5

ANTHRACITE: L252
WHITE: L256
BLACK: L254

PERGOLUX

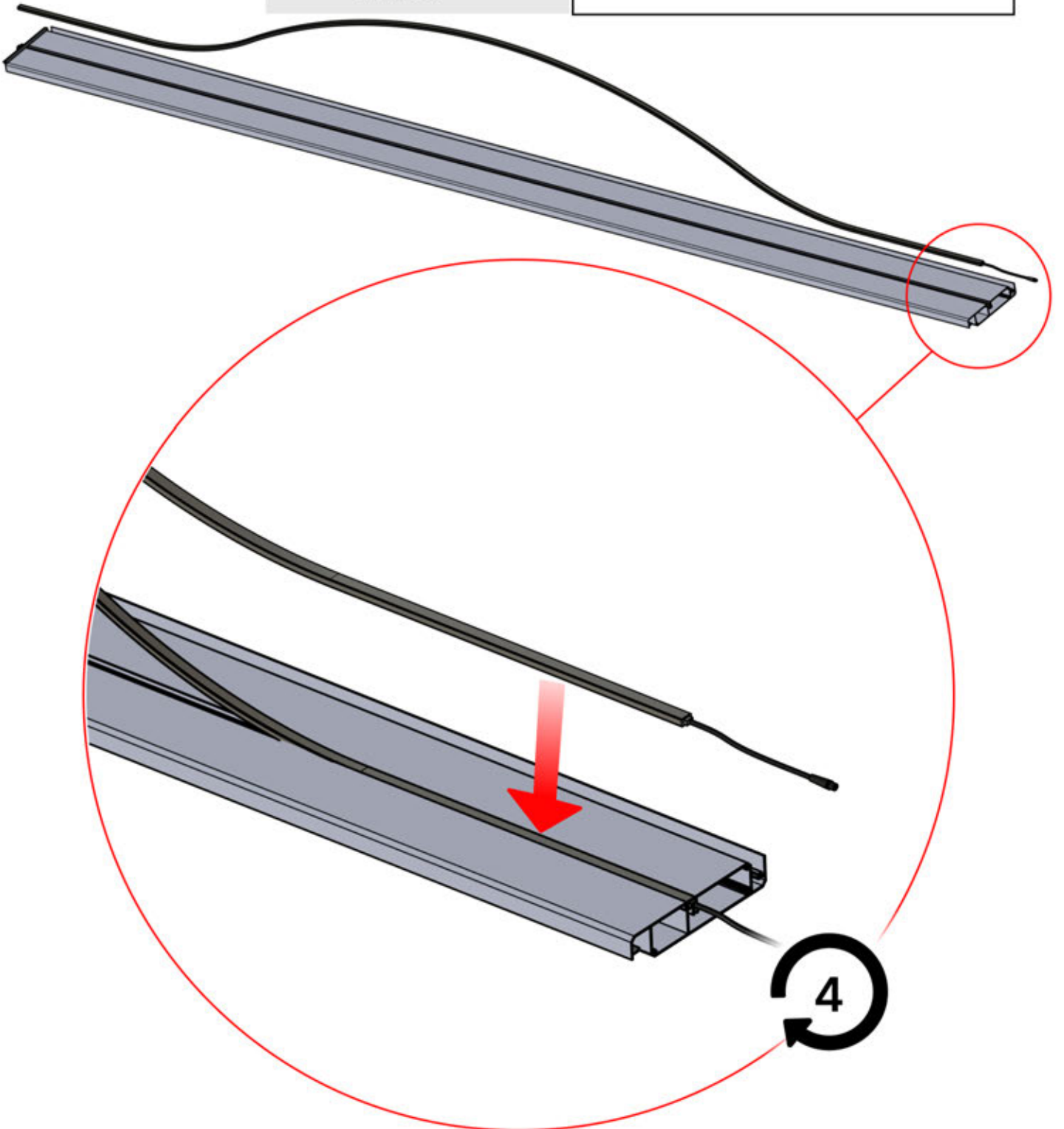
10

LED BOX

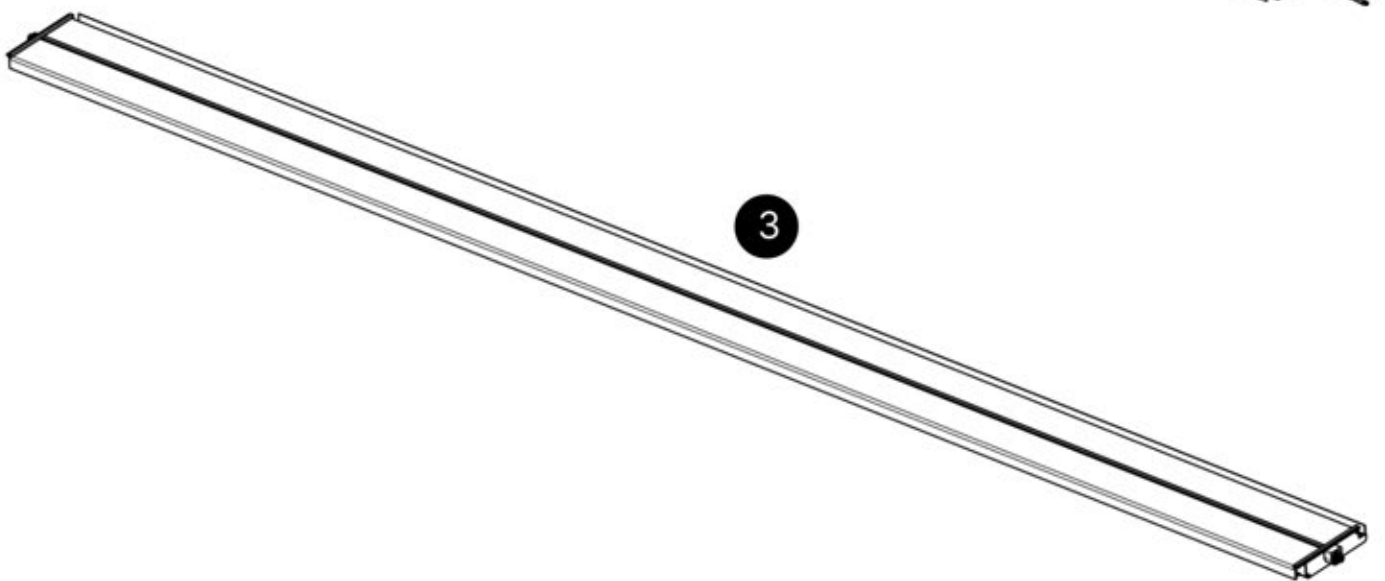
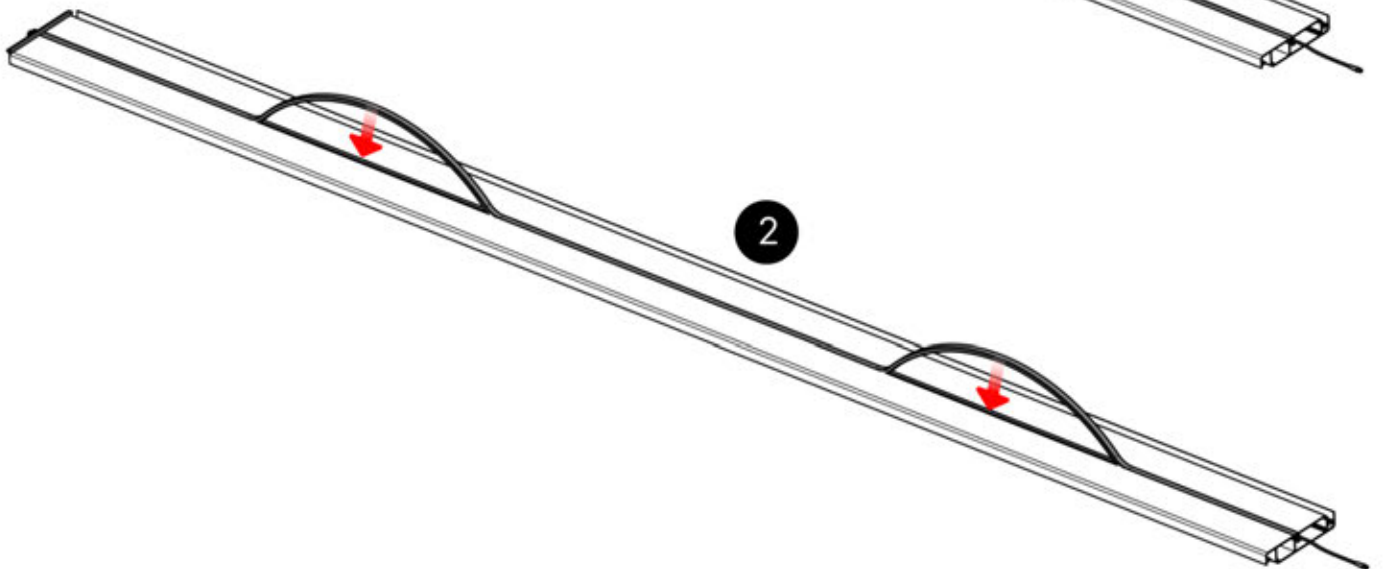
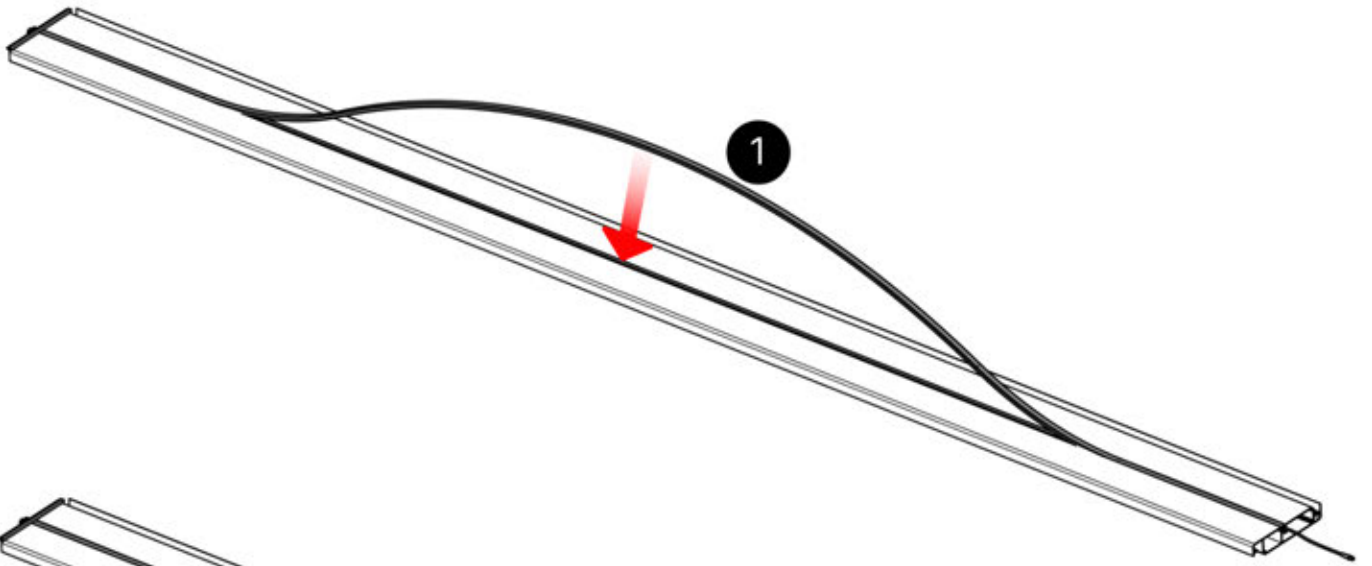


PN-200002364
4x

LED STRIP
4x



42




43

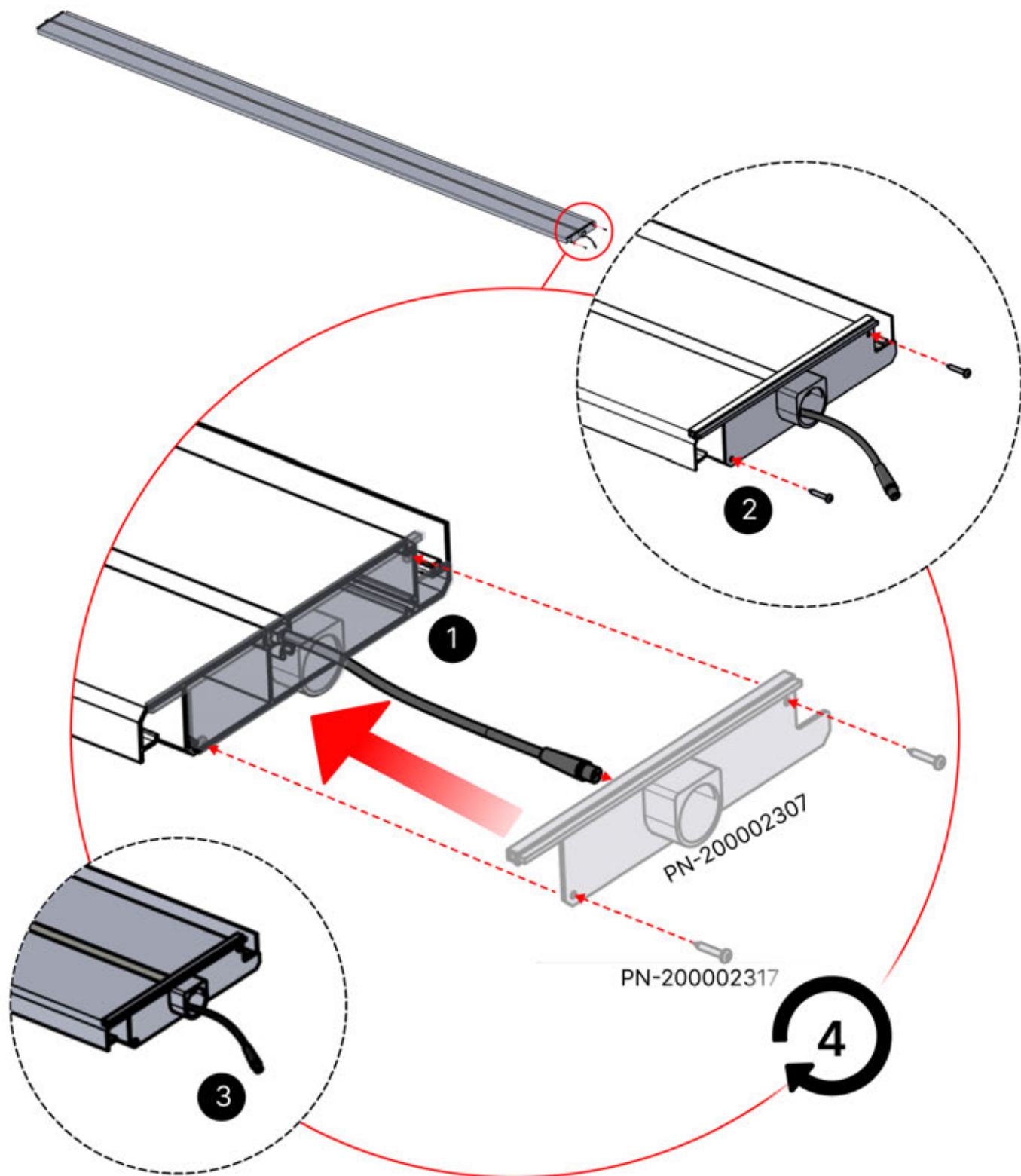

x2
FERGOLUX
FERGOLUX

5

ANTHRACITE: L252
WHITE: L256
BLACK: L254



PN-200002364
4x



44


x2
FERGOLUX
FERGOLUX

5

ANTHRACITE: L252
WHITE: L256
BLACK: L254

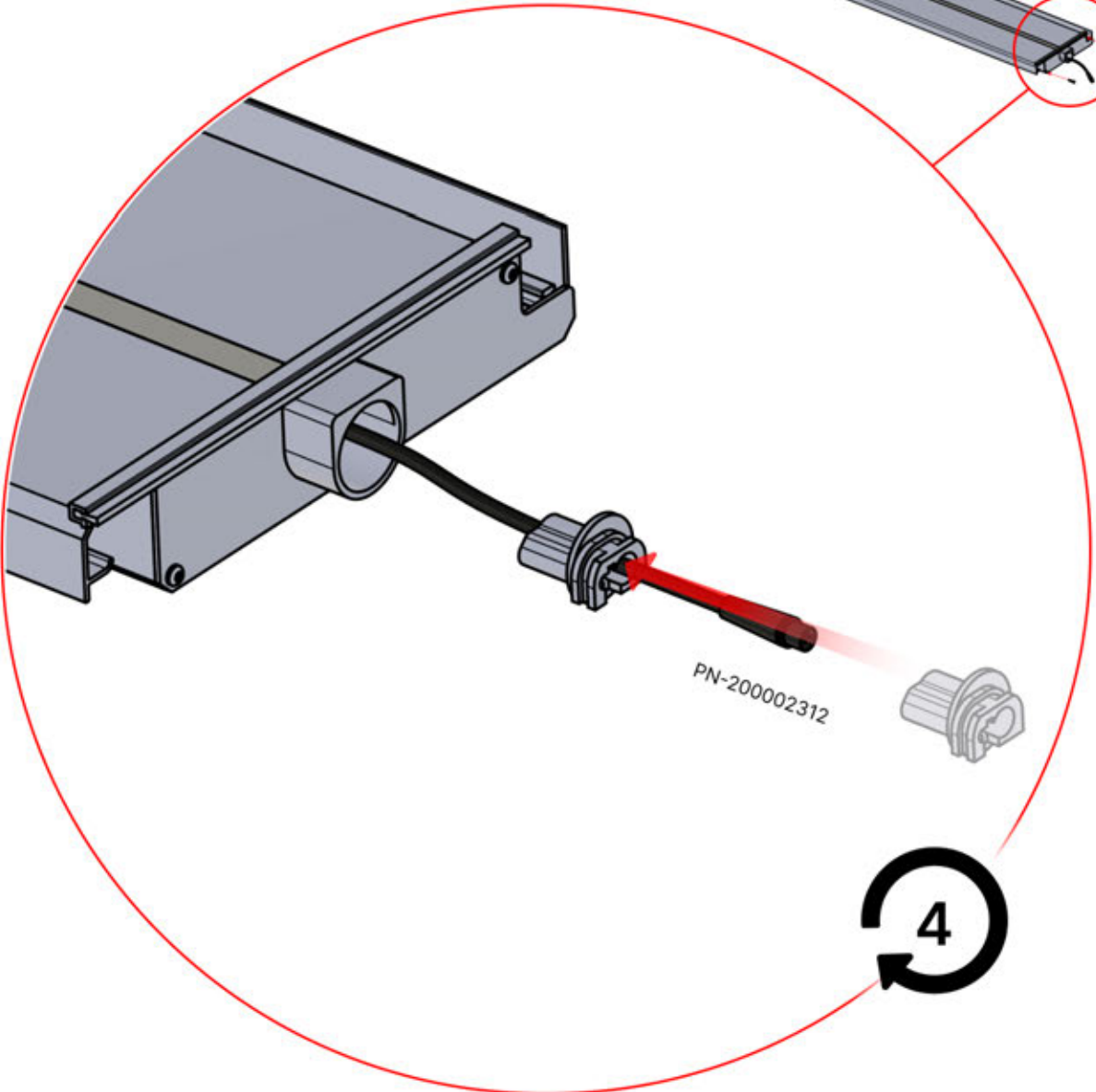
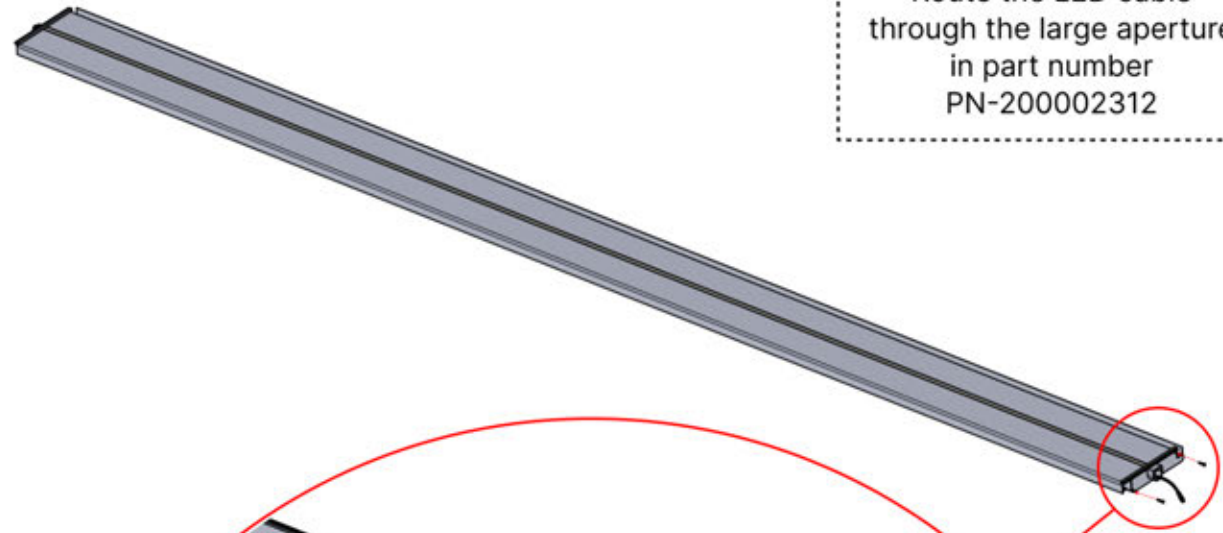


PN-200002364
4x





Route the LED cable through the large aperture in part number PN-200002312




45


x2
FERGOLUX
FERGOLUX


5

ANTHRACITE: L252
WHITE: L256
BLACK: L254

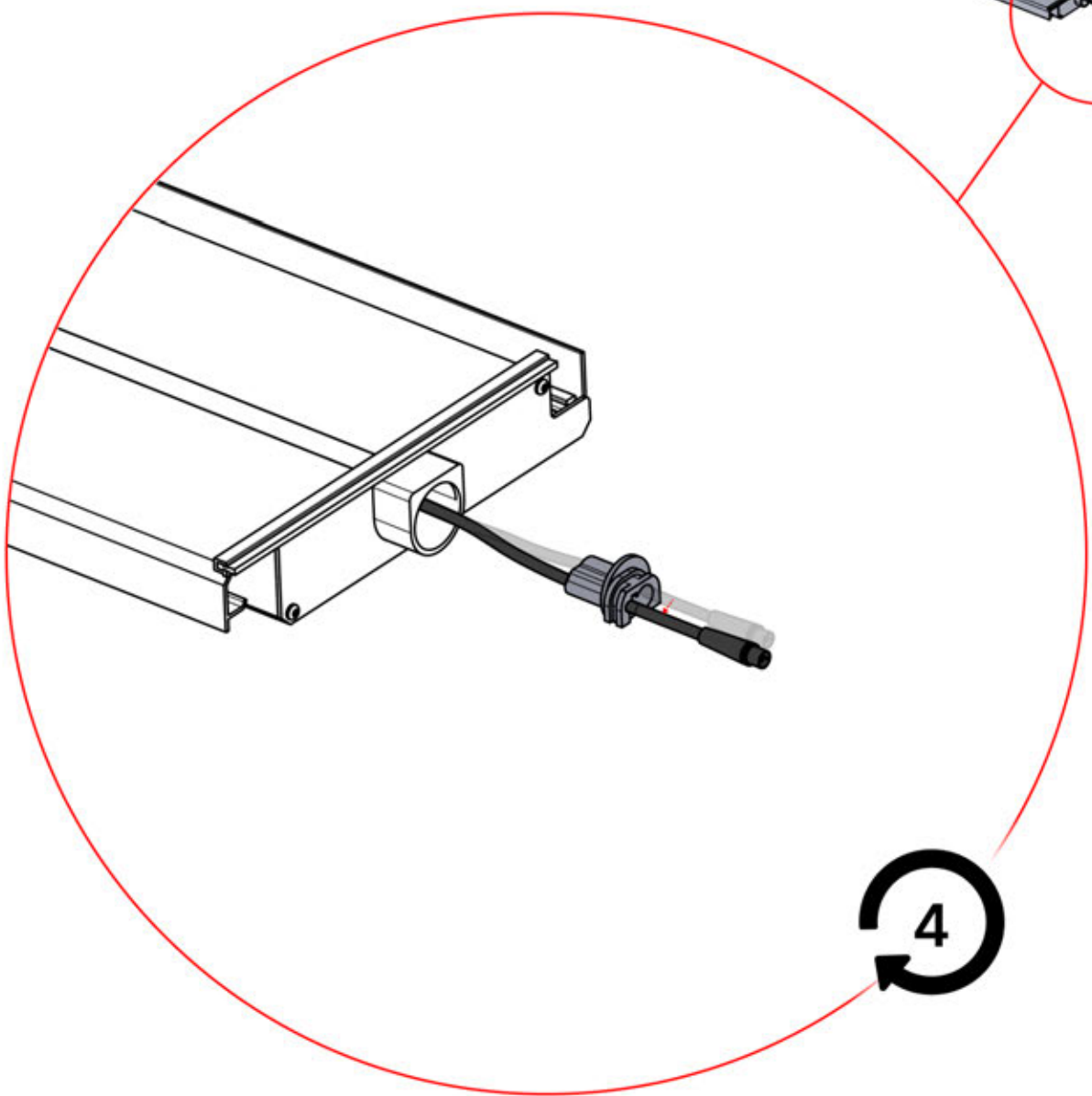
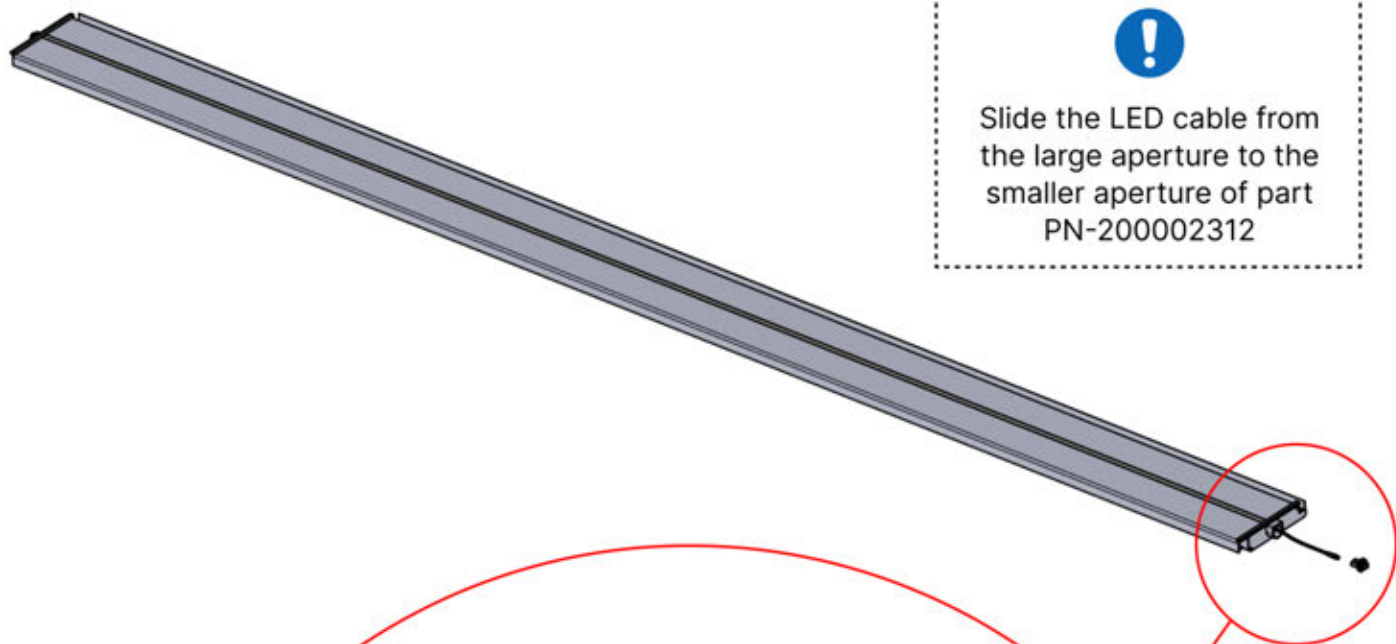


PN-200002364
4x





Slide the LED cable from the large aperture to the smaller aperture of part PN-200002312




4


46


x2
FERGOLUX
FERGOLUX

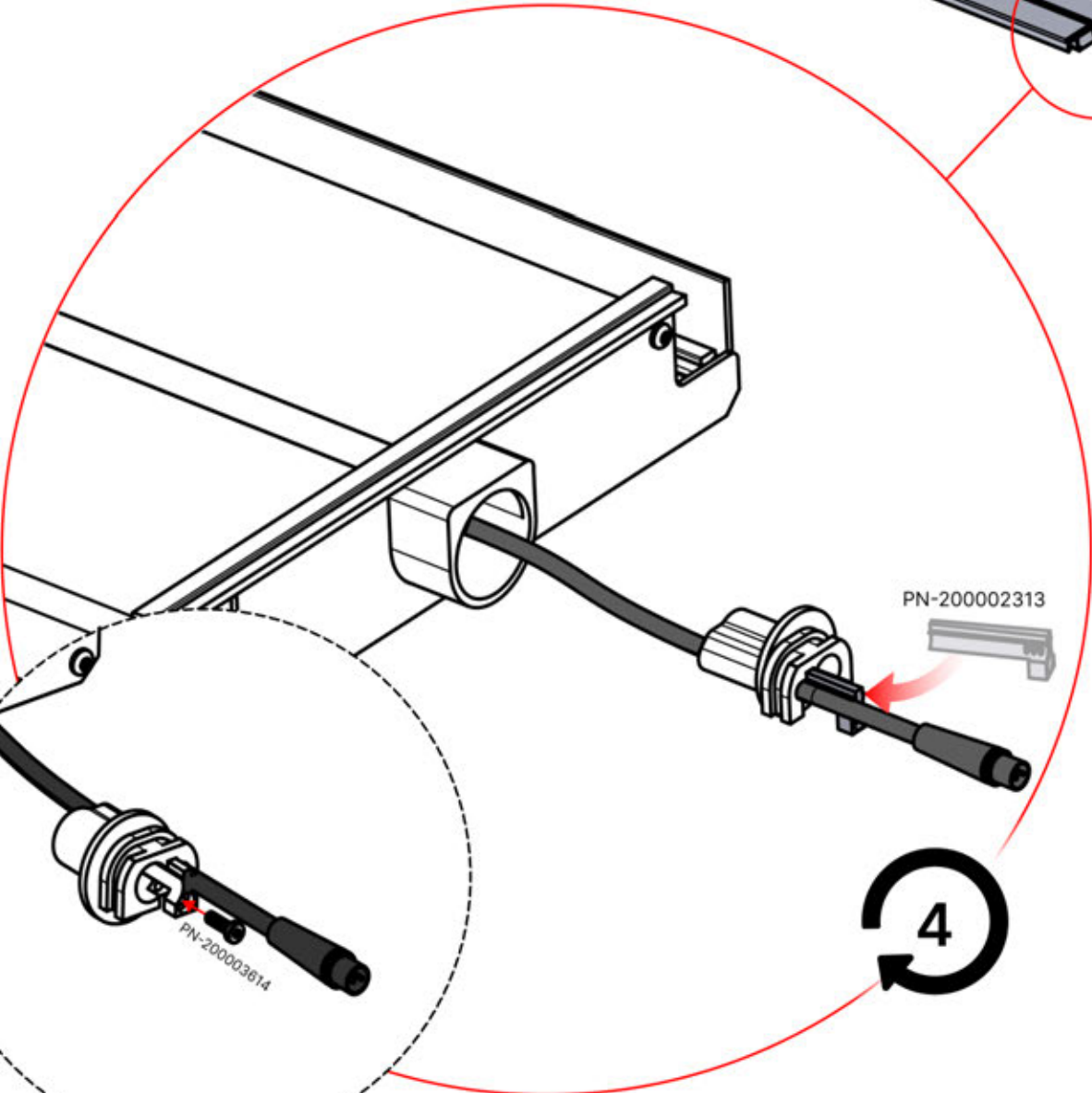
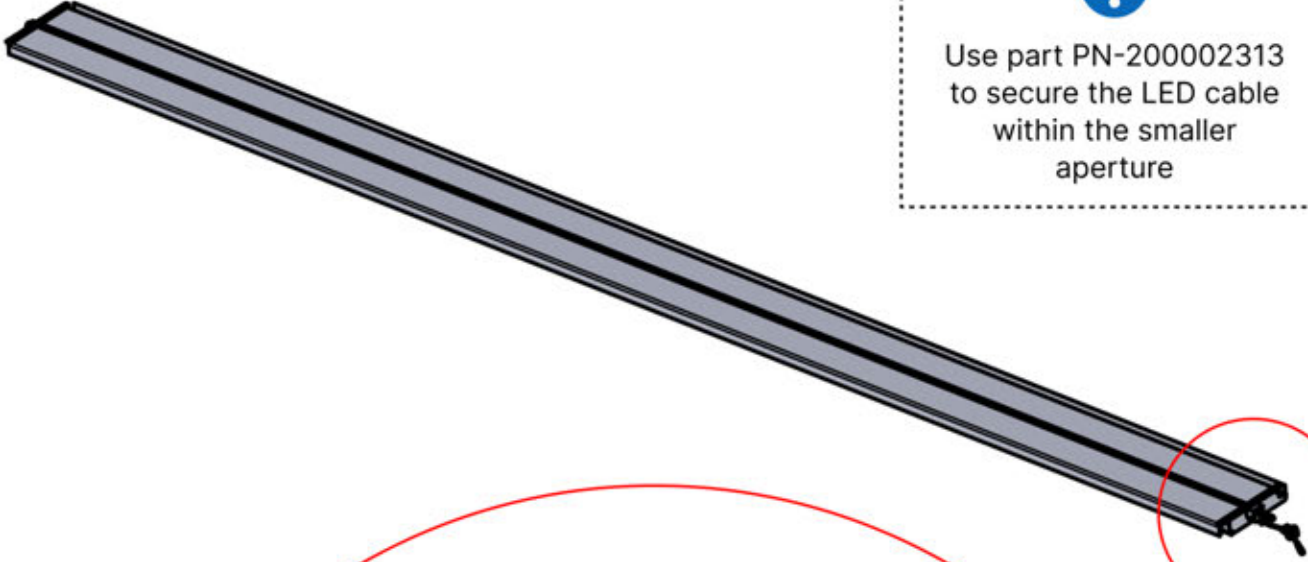
5

ANTHRACITE: L252
WHITE: L256
BLACK: L254

 PN-200002364
4x

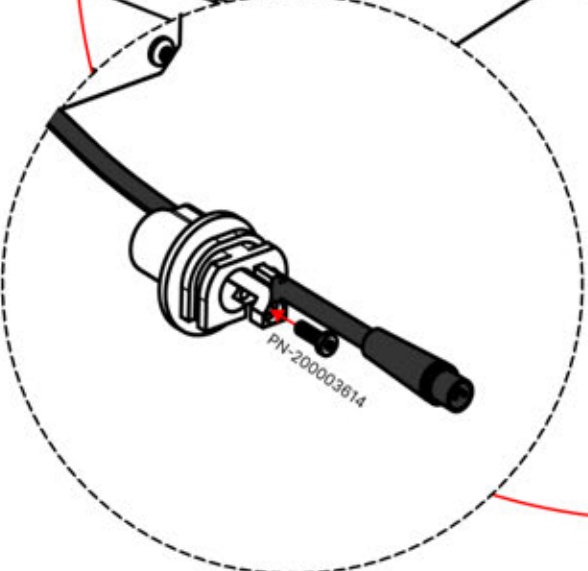



Use part PN-200002313
to secure the LED cable
within the smaller
aperture



PN-200002313

4




PN-200003614

47

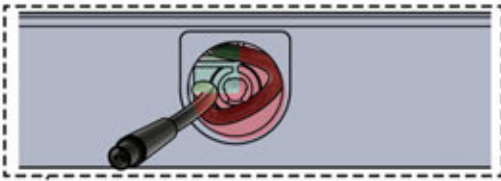
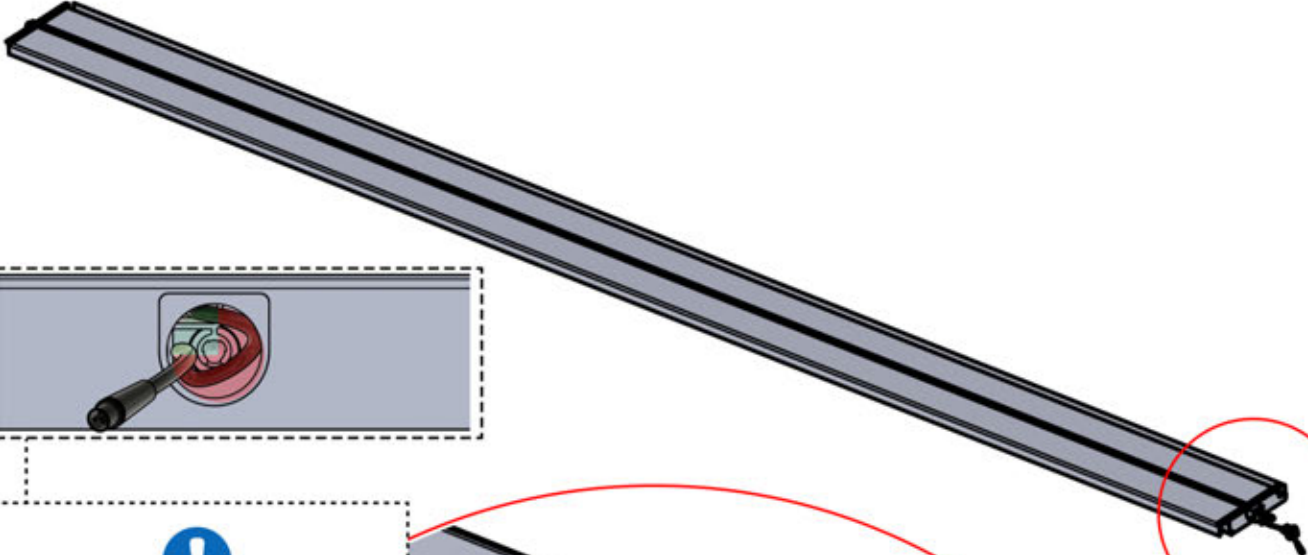

x2
FERGOLUX
FERGOLUX


5

ANTHRACITE: L252
WHITE: L256
BLACK: L254

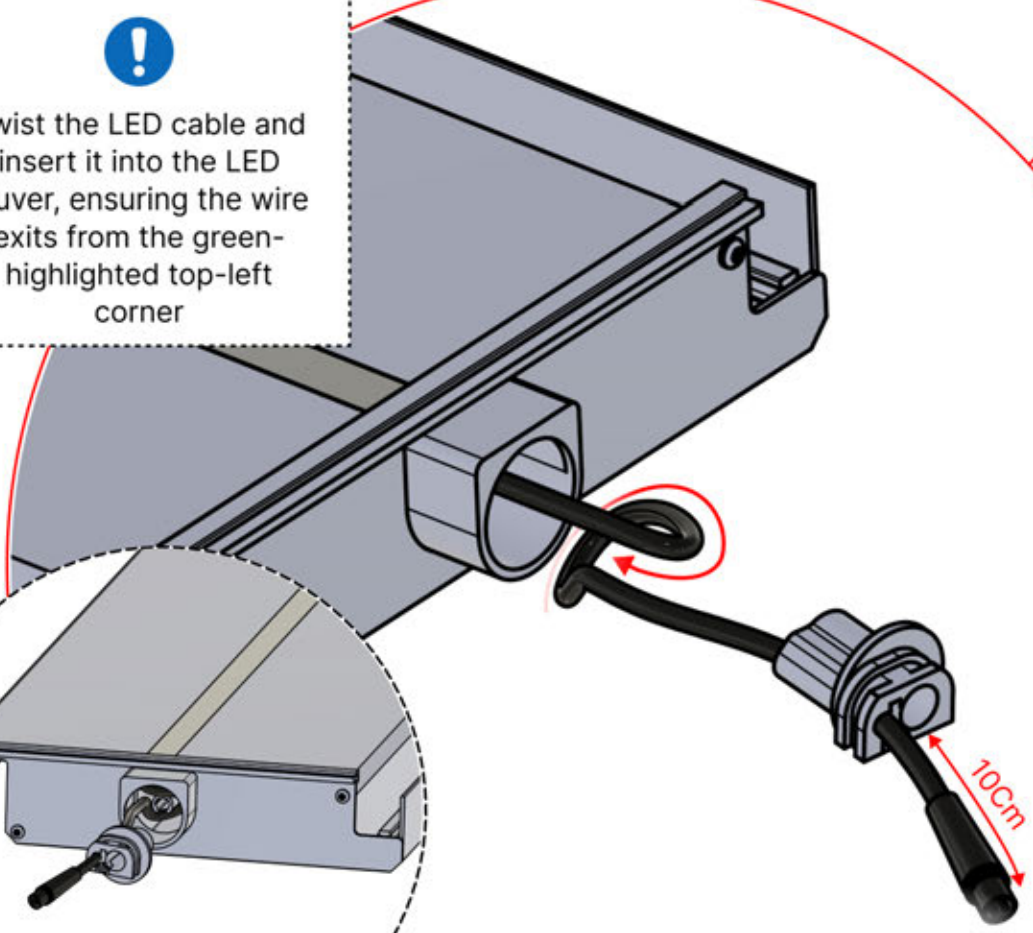


PN-200002364
4x





Twist the LED cable and insert it into the LED louver, ensuring the wire exits from the green-highlighted top-left corner




4

48

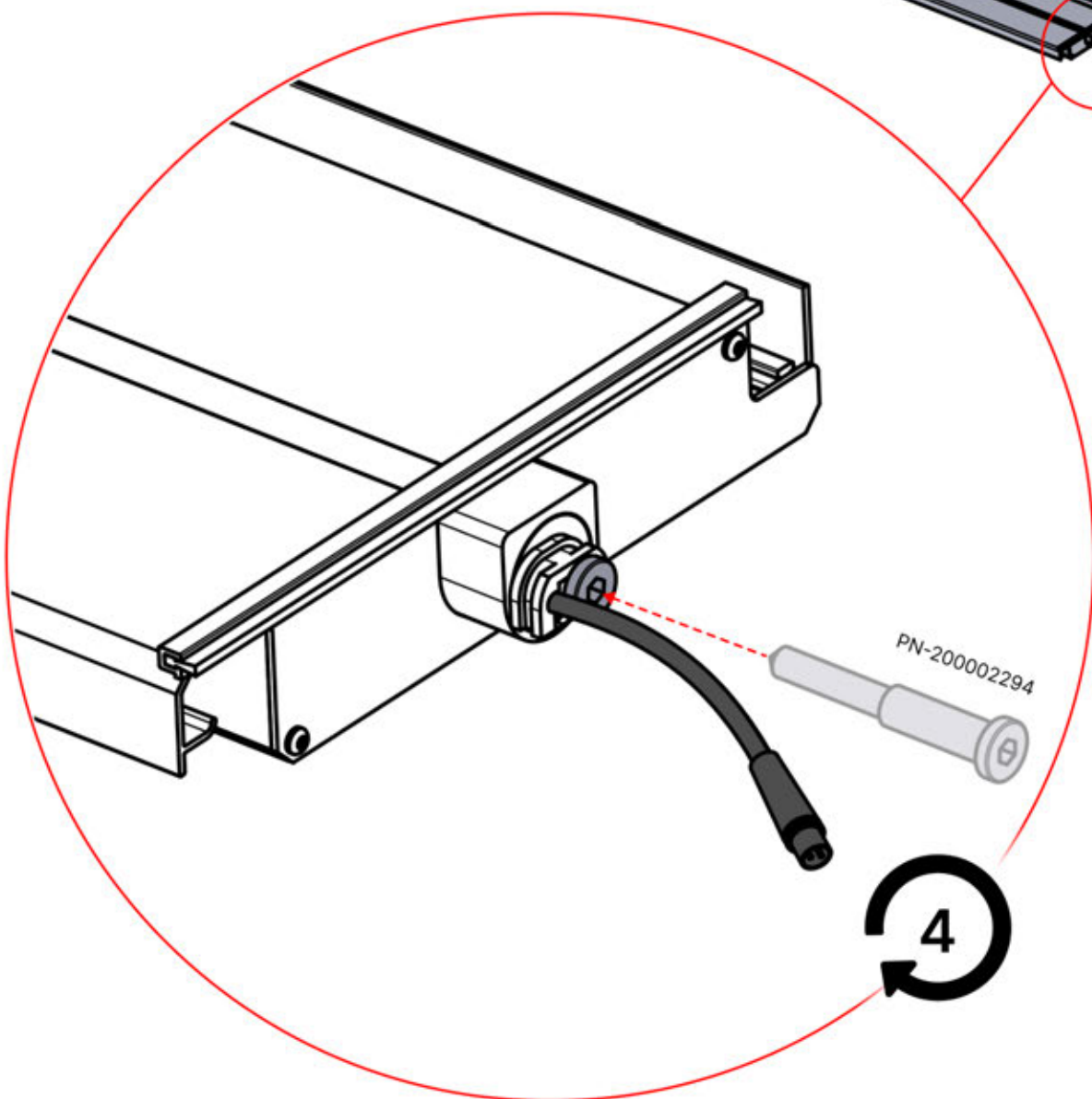
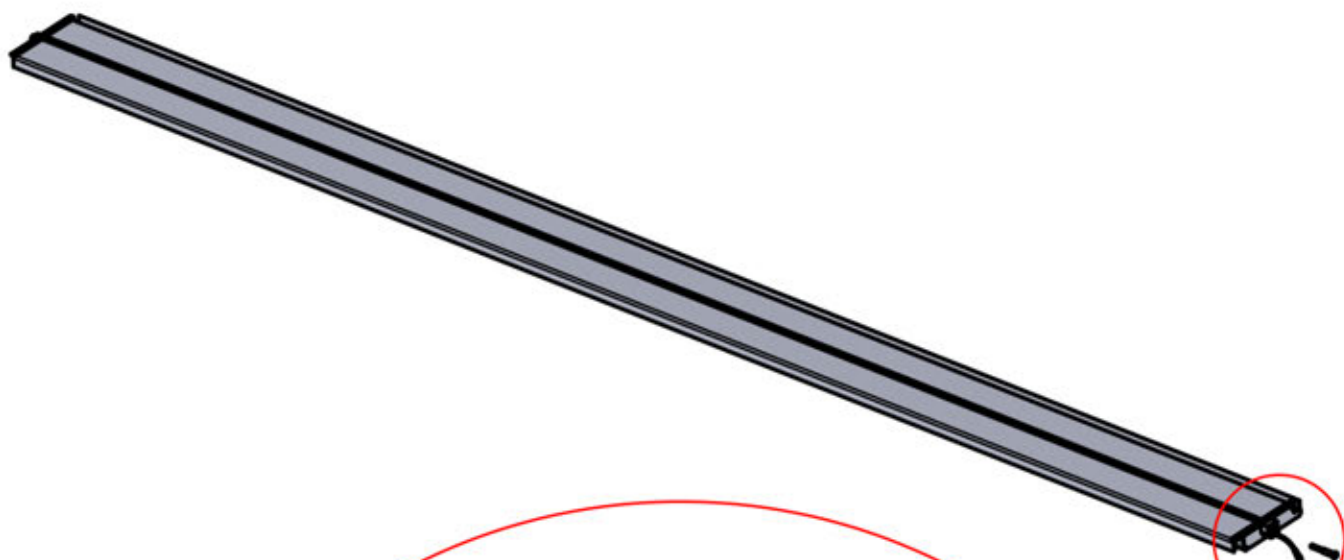

x2
FERGOLUX
FERGOLUX

5










ANTHRACITE: L252
WHITE: L256
BLACK: L254

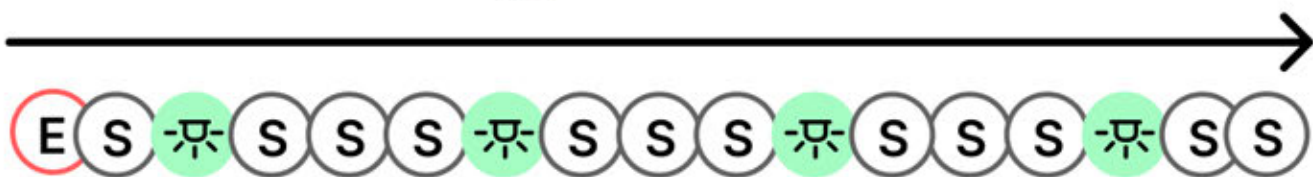
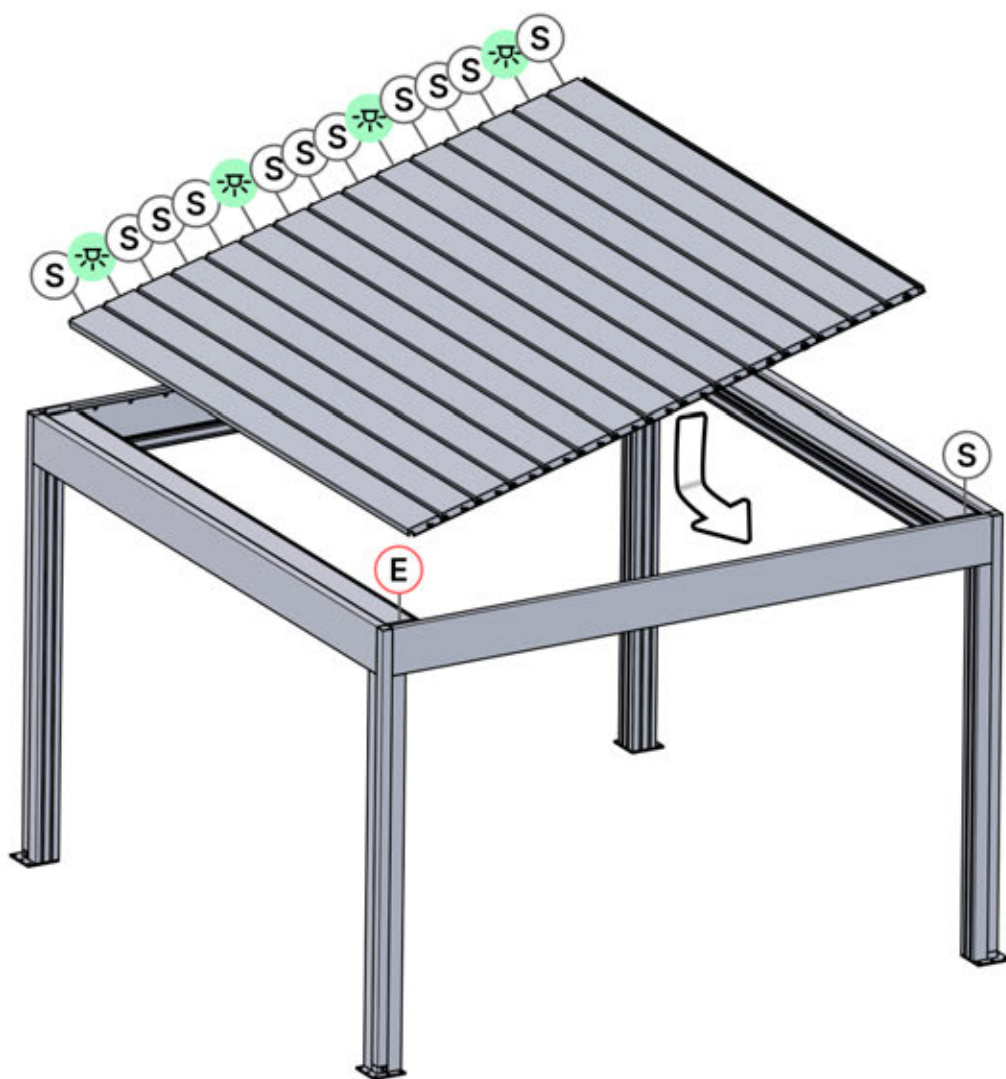


PN-200002364
4x



49

 S	 -	 E
 PN-200002366  L240 L244 L242 12x	 PN-200002364  L252 L256 L254 4x	 PN-200002362  L264 L268 L266 1x



50

x7
PERGOLUX

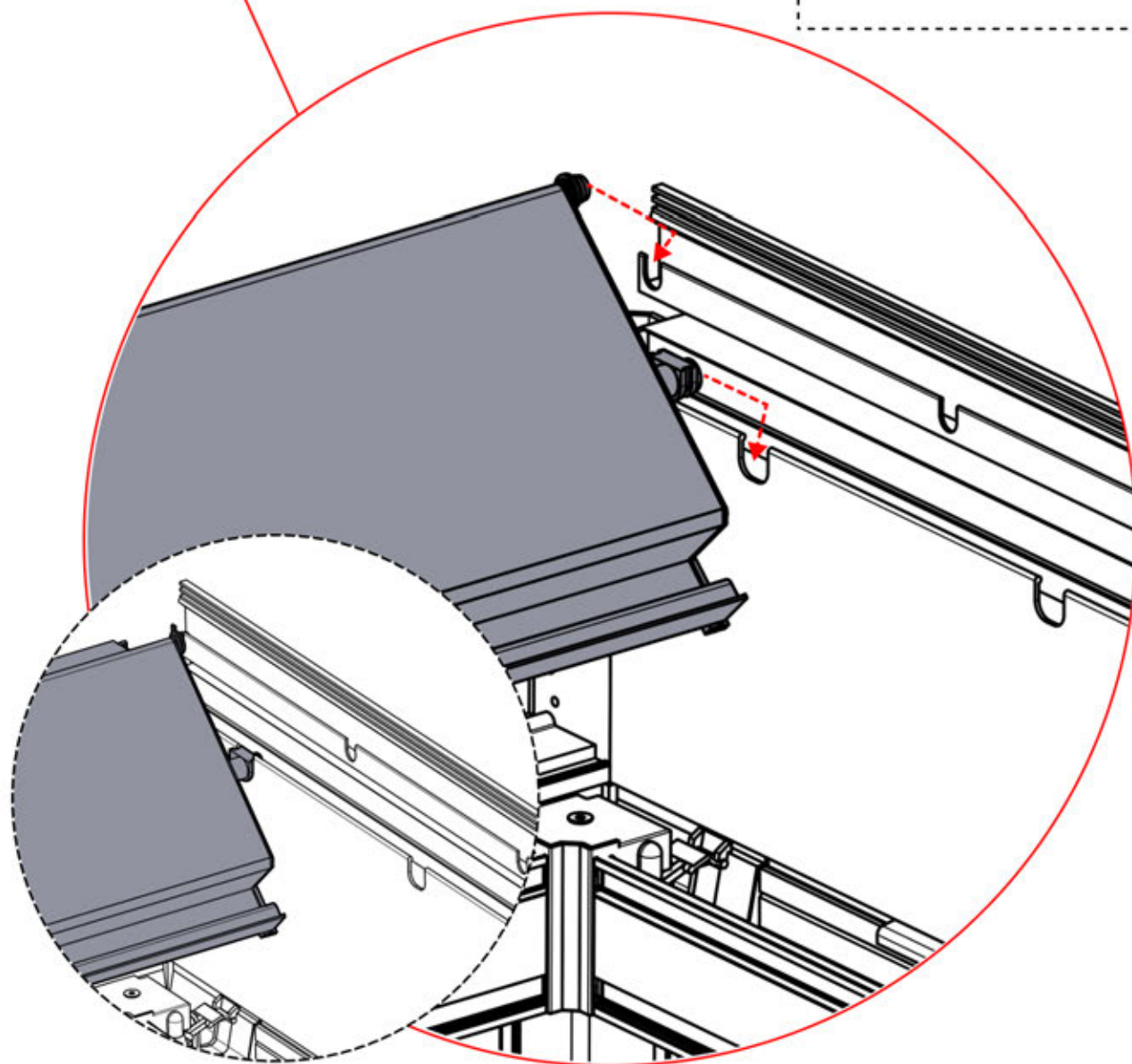
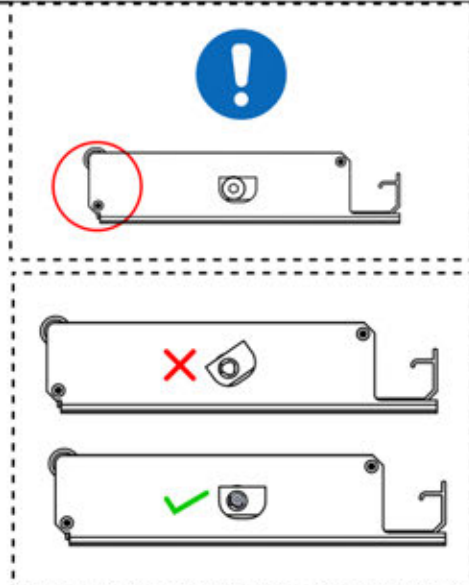
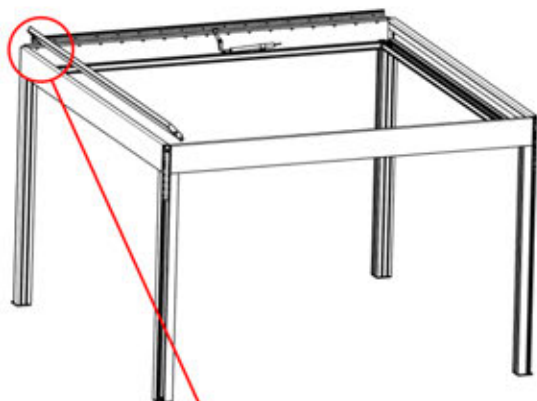
4

ANTHRACITE: L264
WHITE: L268
BLACK: L266

E

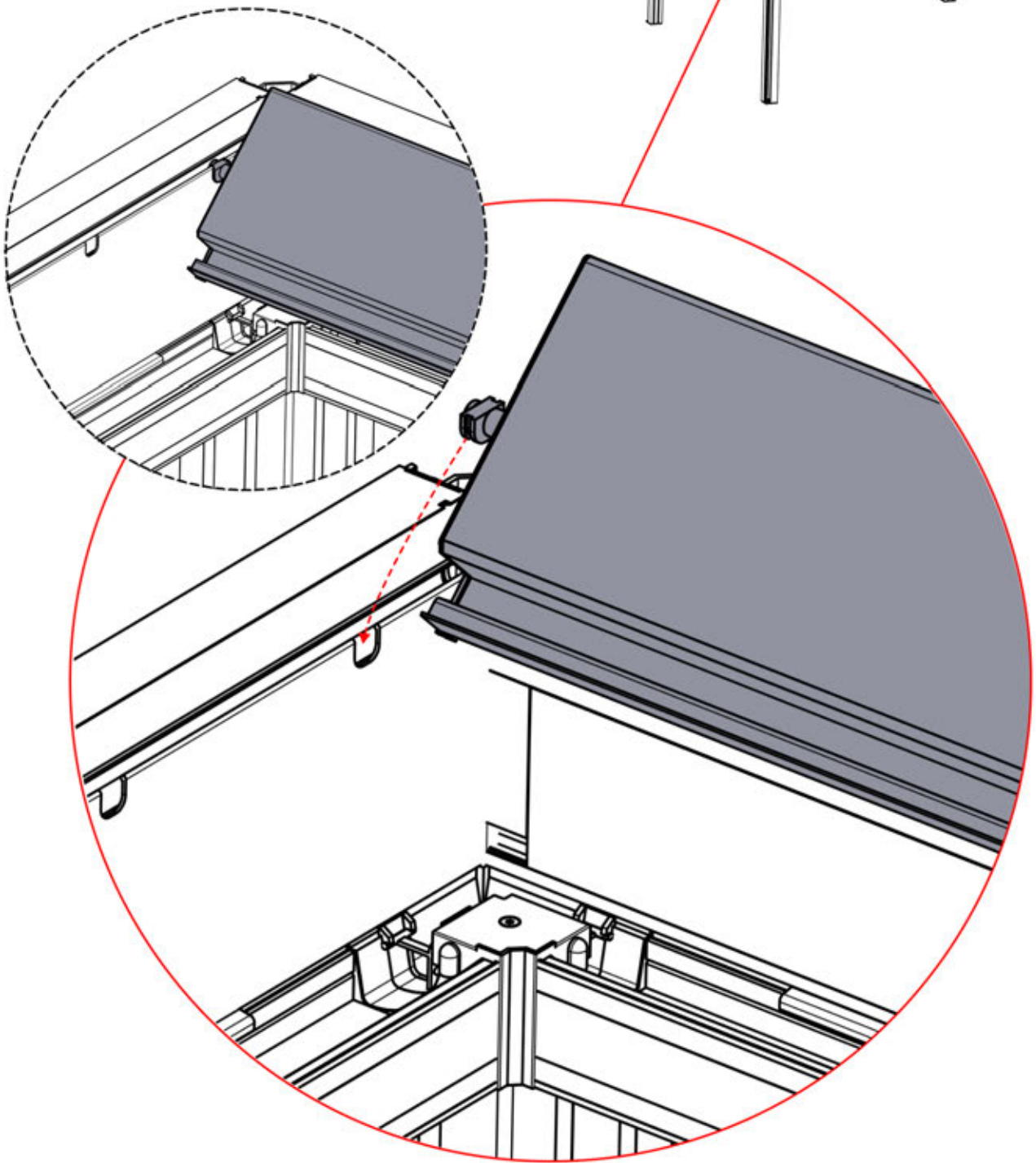
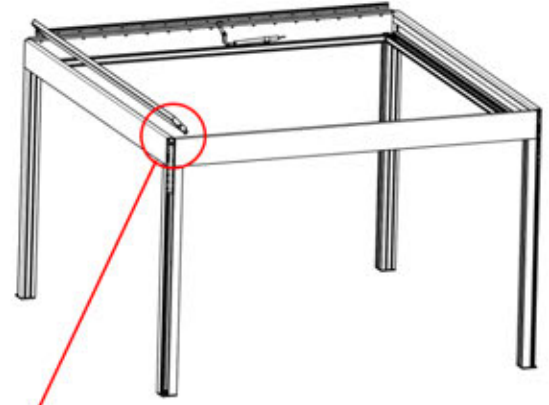
PN-200002362

1x



51

	4	 1x PN-200002362
ANTHRACITE:	L264	
WHITE:	L268	
BLACK:	L266	

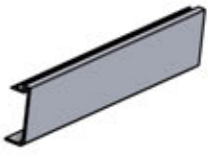


52

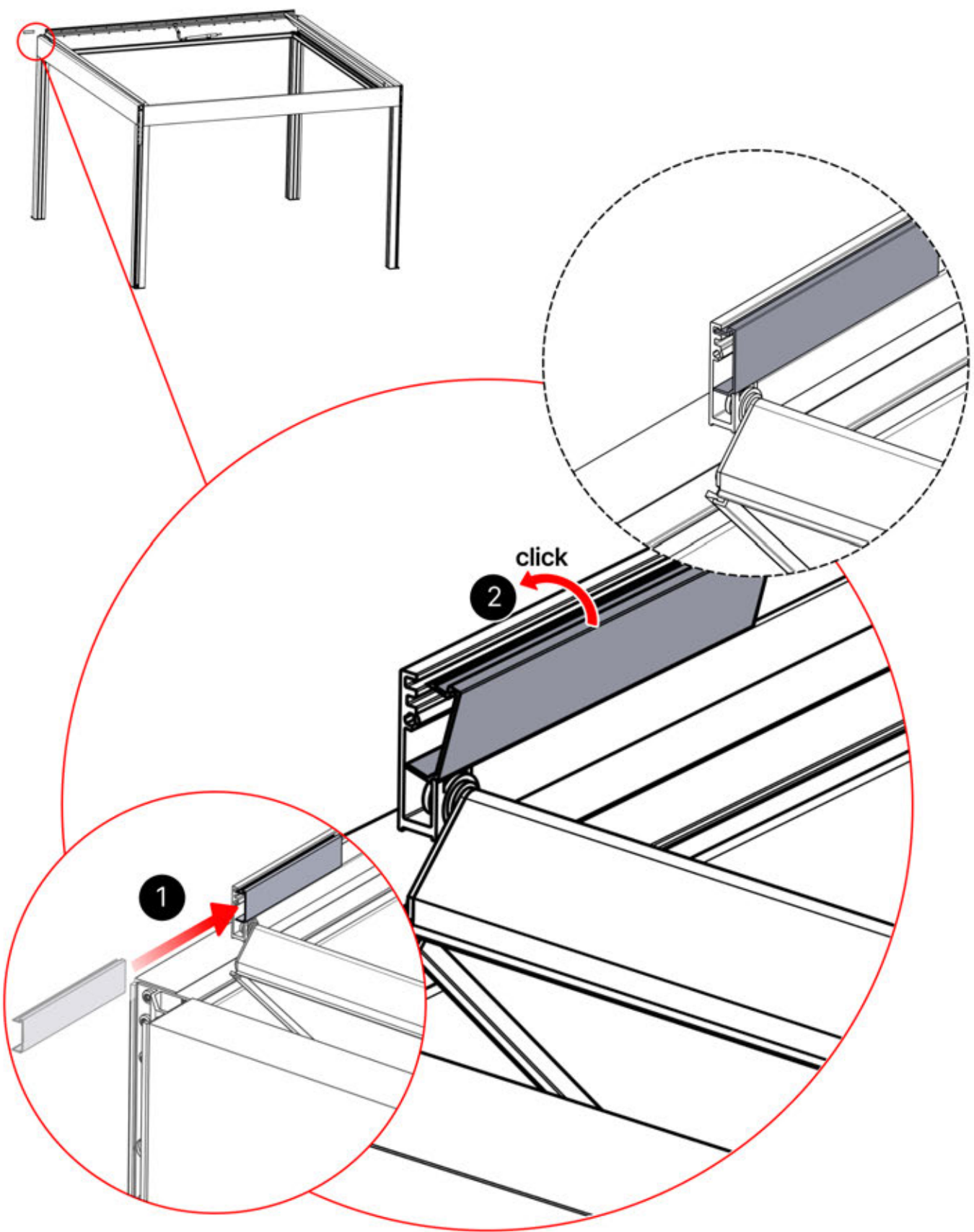
x1
FERGOLUX

6

ANTHRACITE: L240
WHITE: L244
BLACK: L242



PN-200003033
1X



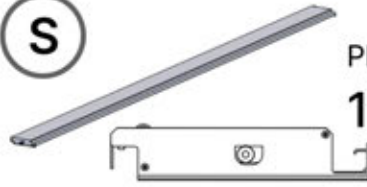
53



6

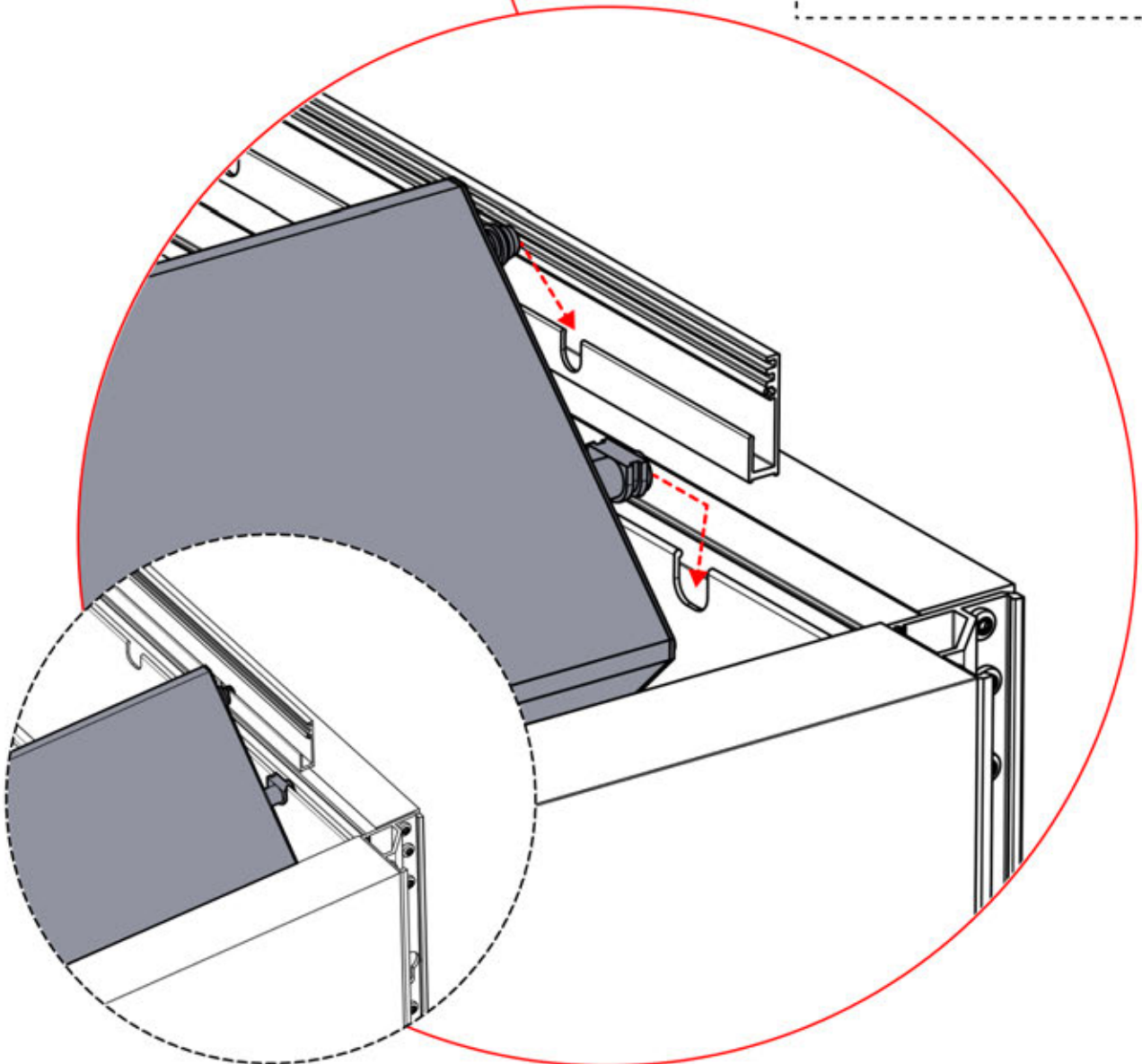
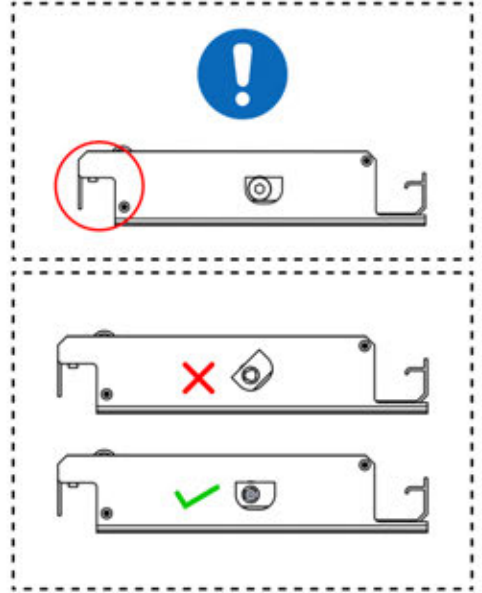
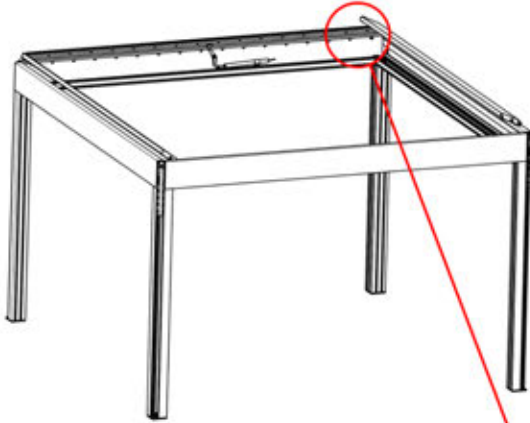
ANTHRACITE: L240
WHITE: L244
BLACK: L242

S



PN-200002366

1x



54

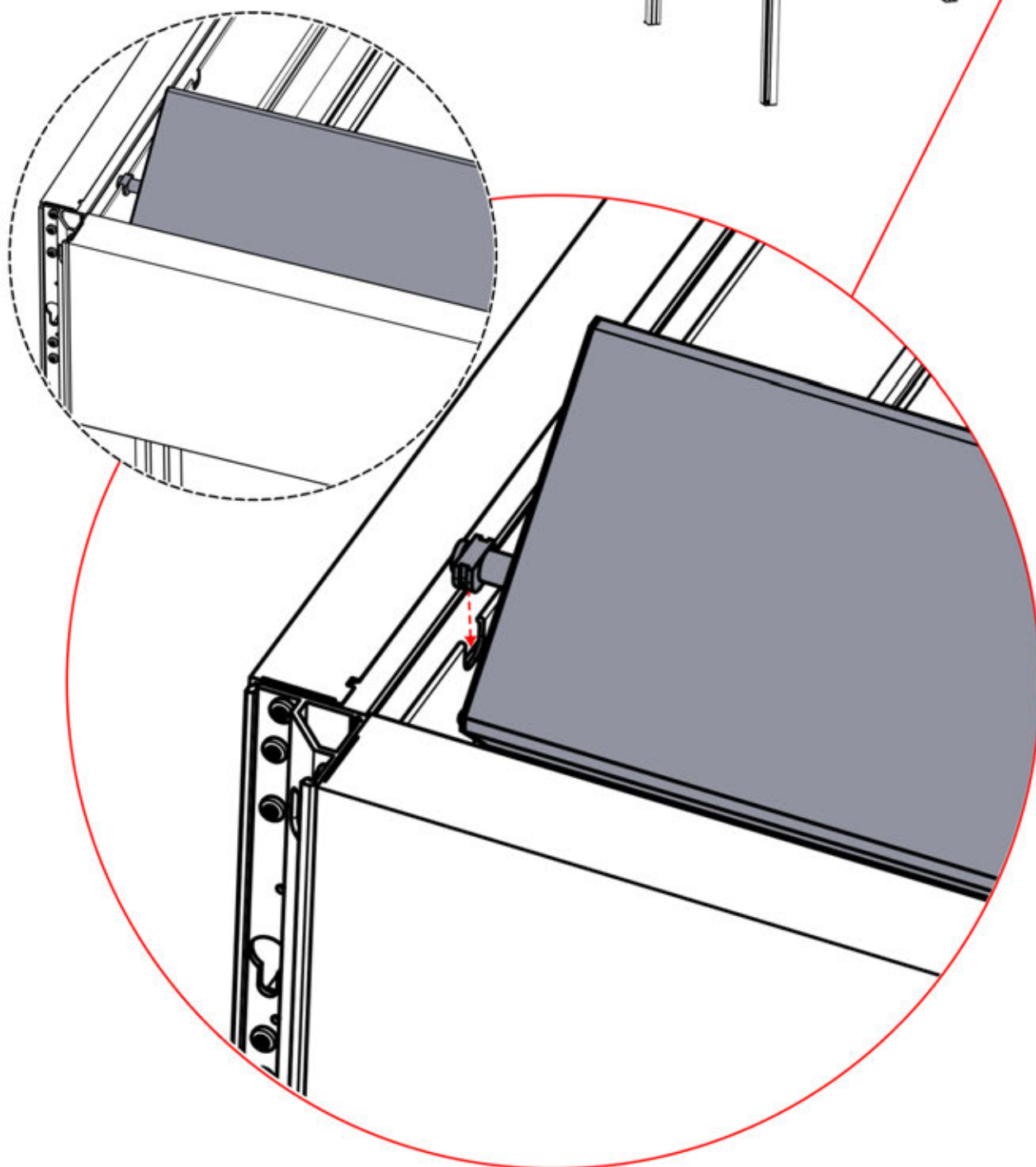
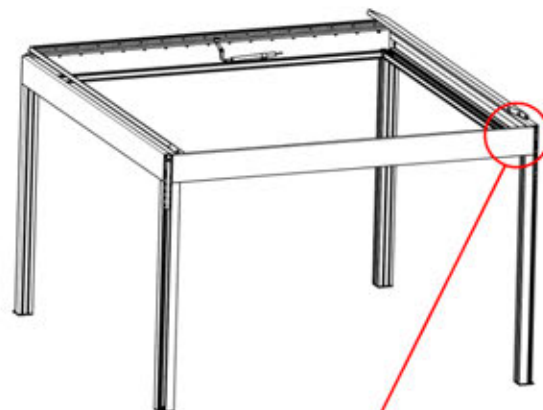
x1
PERGOLUX

6

ANTHRACITE: L240
WHITE: L244
BLACK: L242

S

PN-200002366
1x

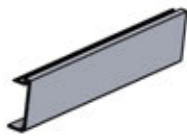


55

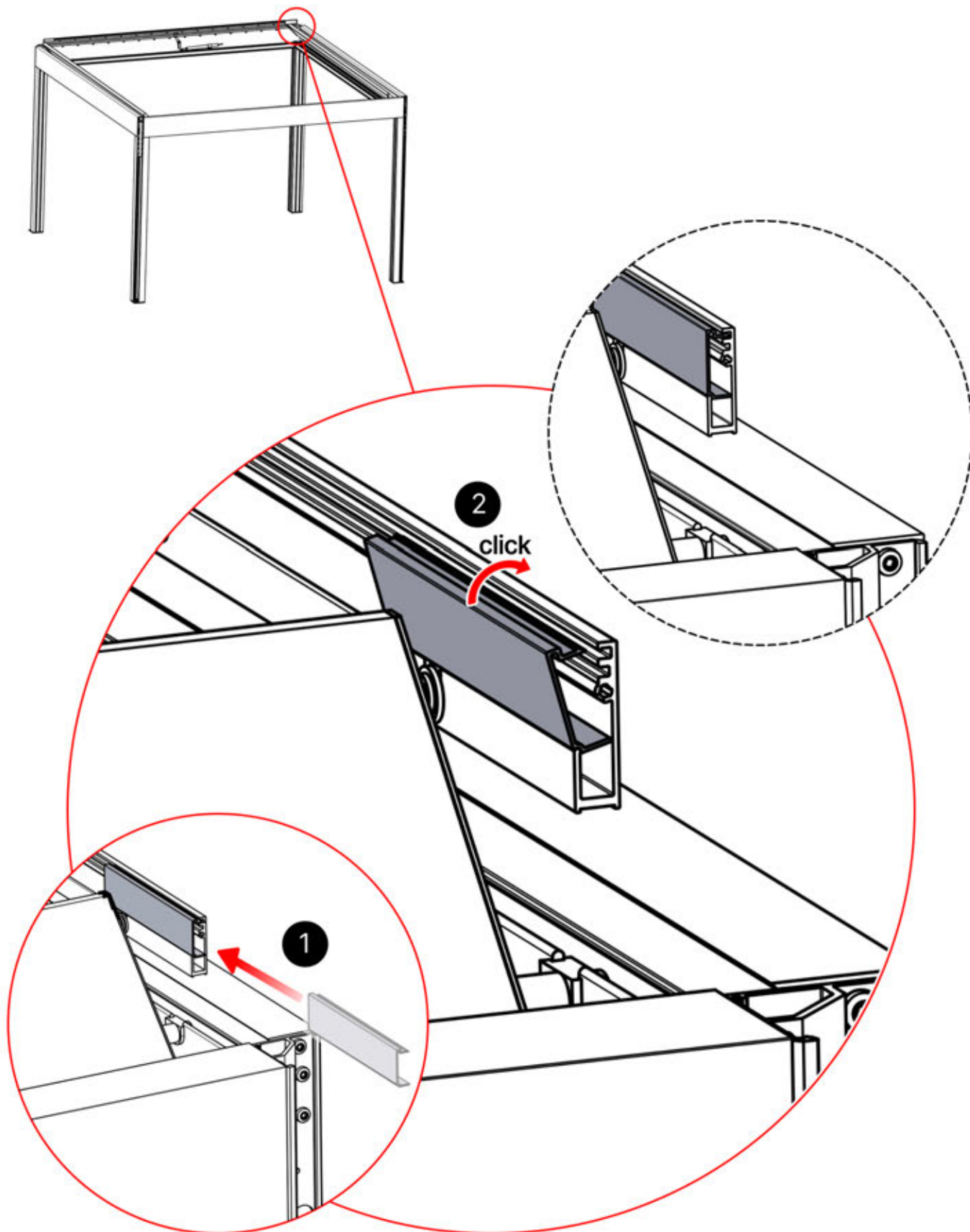
x1
FERGOLUX

6

ANTHRACITE: L240
WHITE: L244
BLACK: L242



PN-200003033
1X




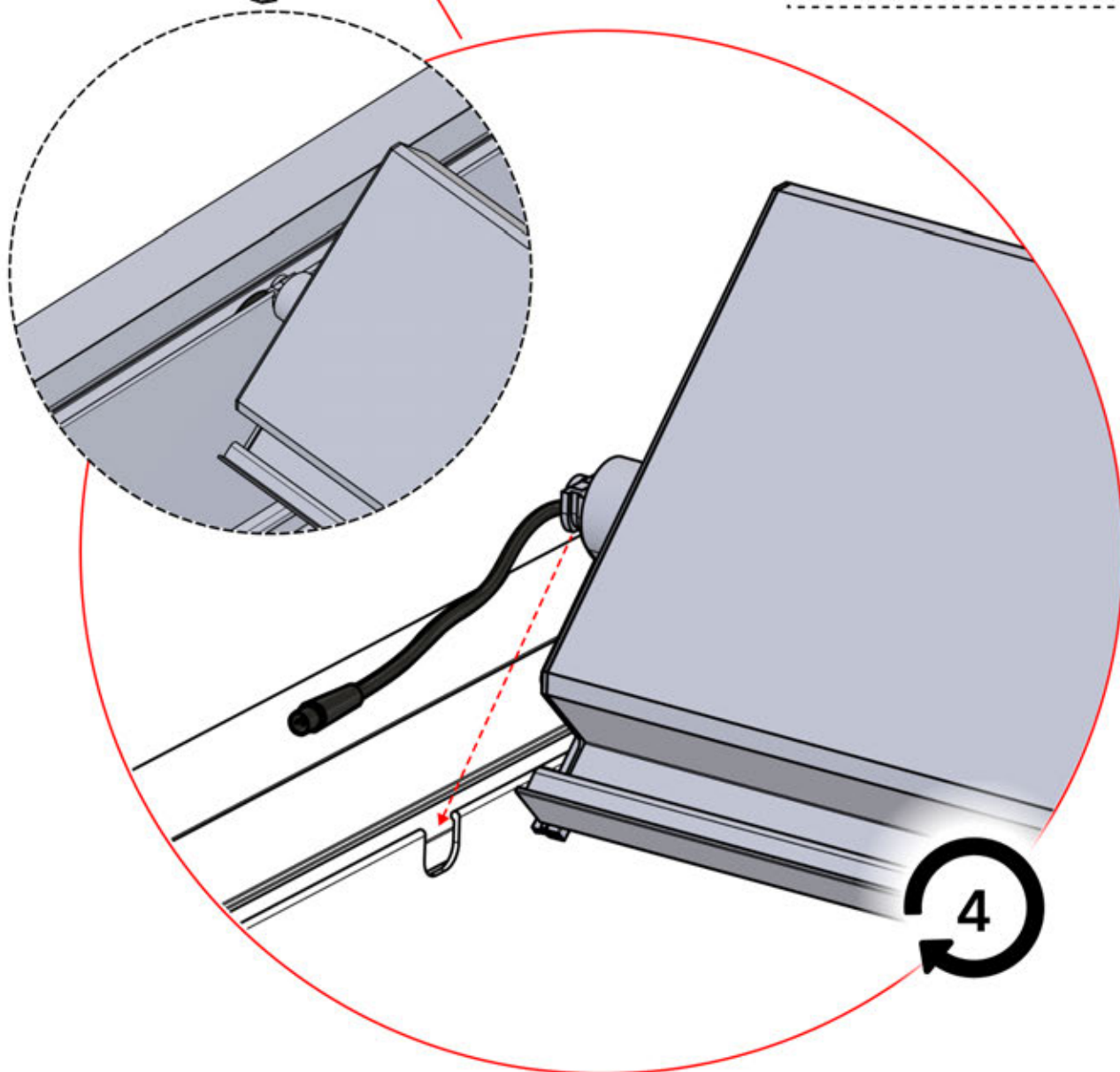
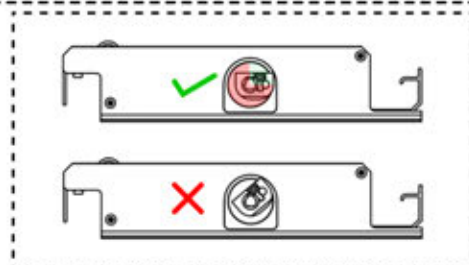
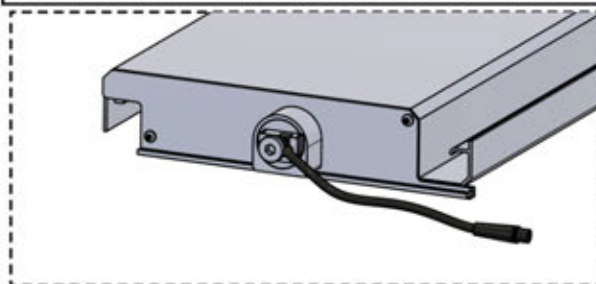
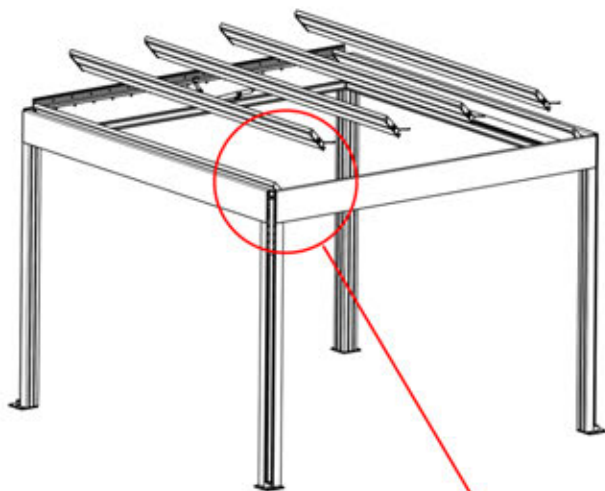

56

x2
PERGOLUX
PERGOLUX

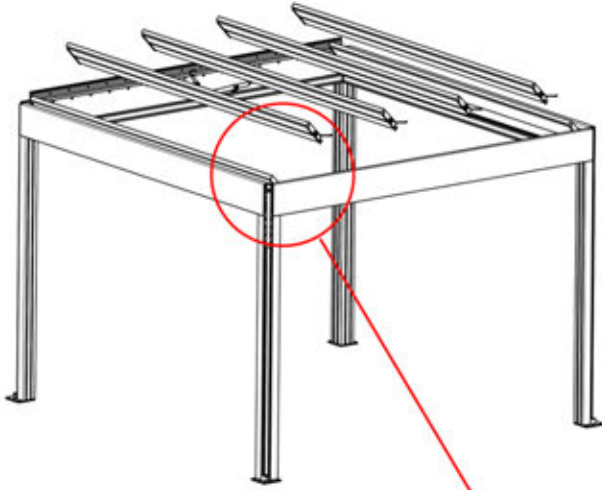
5

ANTHRACITE: L252
WHITE: L256
BLACK: L254

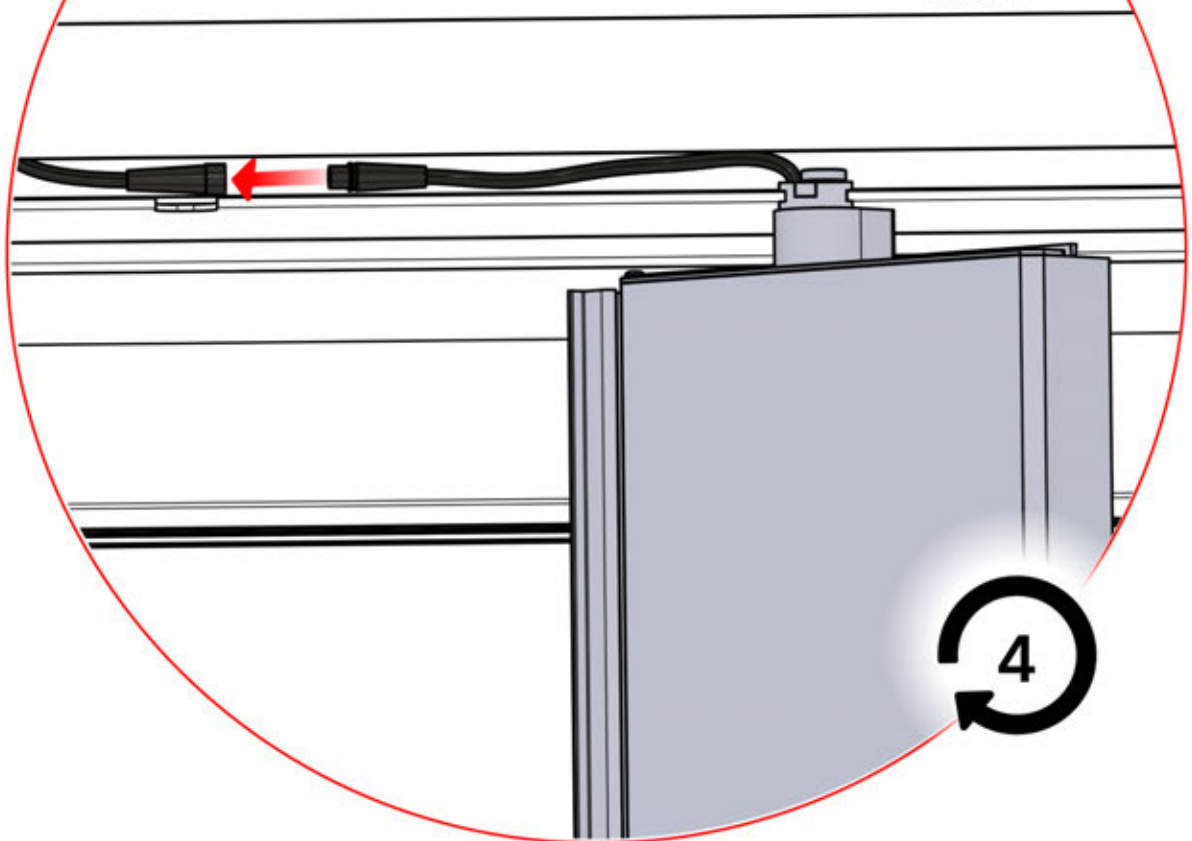
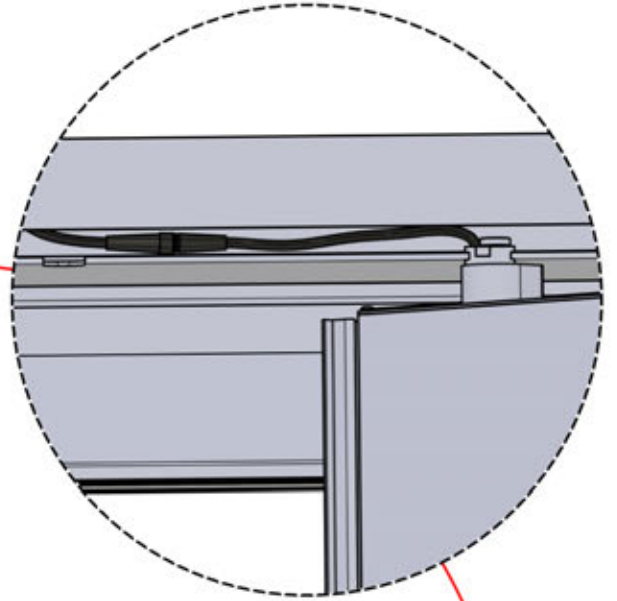
 PN-200002364
4x



57




Connect the LED
cable to the 4-pin LED
wire




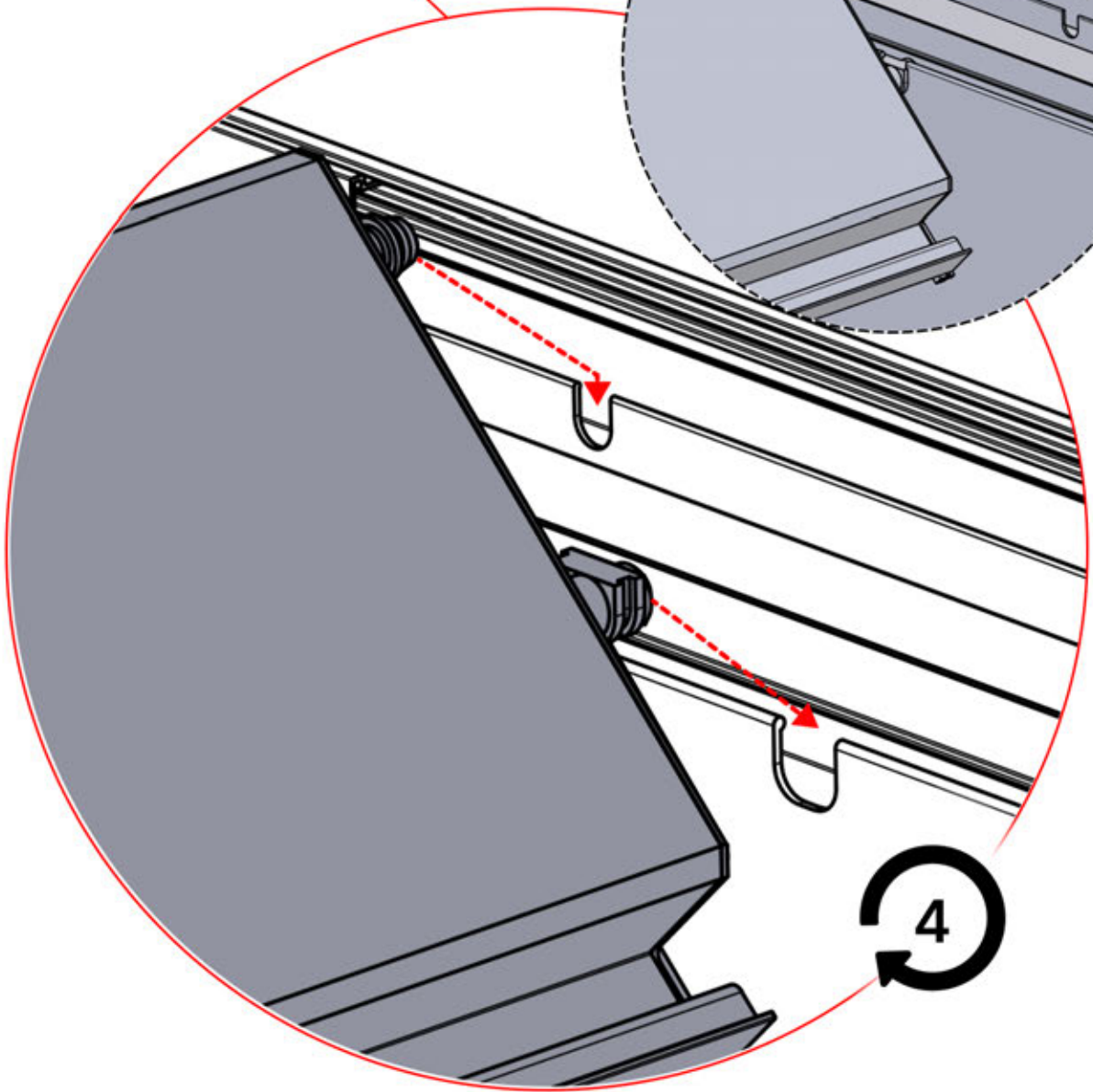
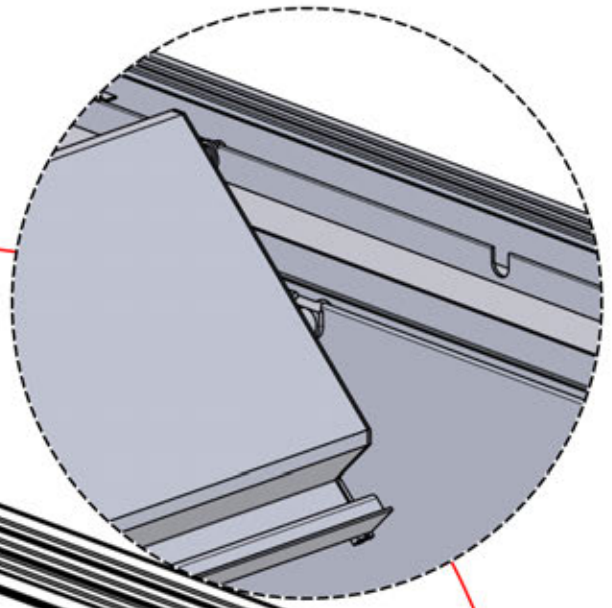
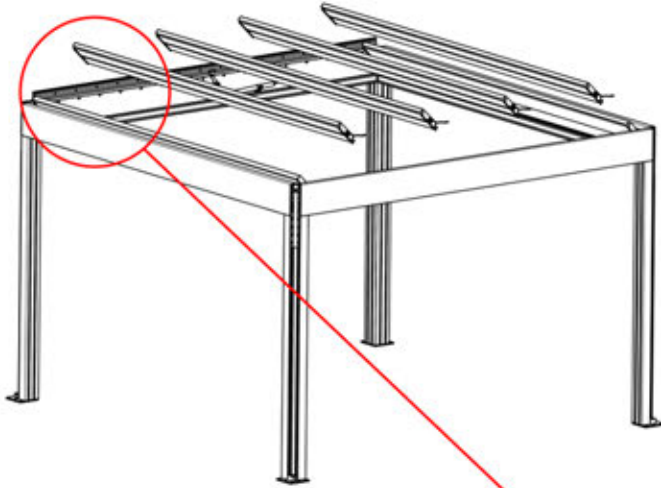

58

x2
PERGOLUX
PERGOLUX


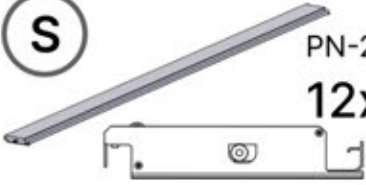


5

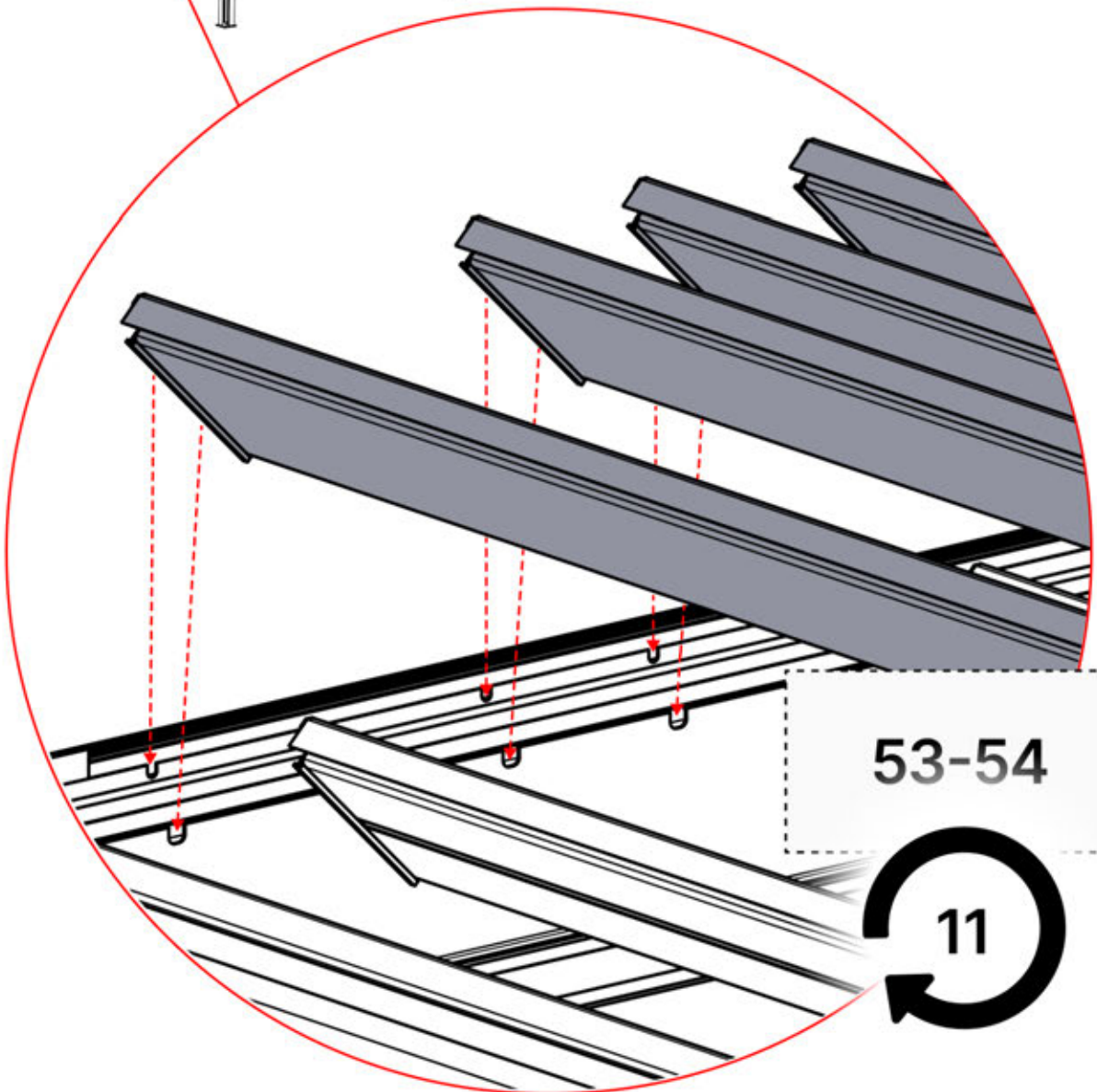
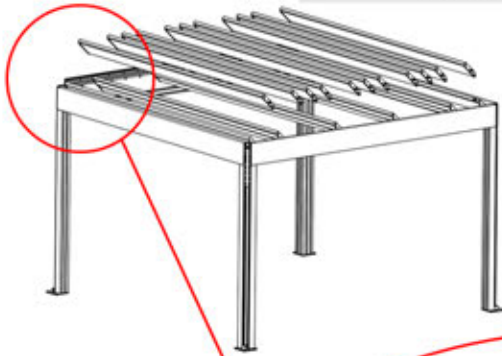
ANTHRACITE: L252
WHITE: L256
BLACK: L254

 PN-200002364
4x



59

 <p>4</p> <p>ANTHRACITE: L264 WHITE: L268 BLACK: L266</p>	 <p>S</p> <p>PN-200002366 12x</p>
 <p>5</p> <p>ANTHRACITE: L252 WHITE: L256 BLACK: L254</p>	 <p>6</p> <p>ANTHRACITE: L240 WHITE: L244 BLACK: L242</p>



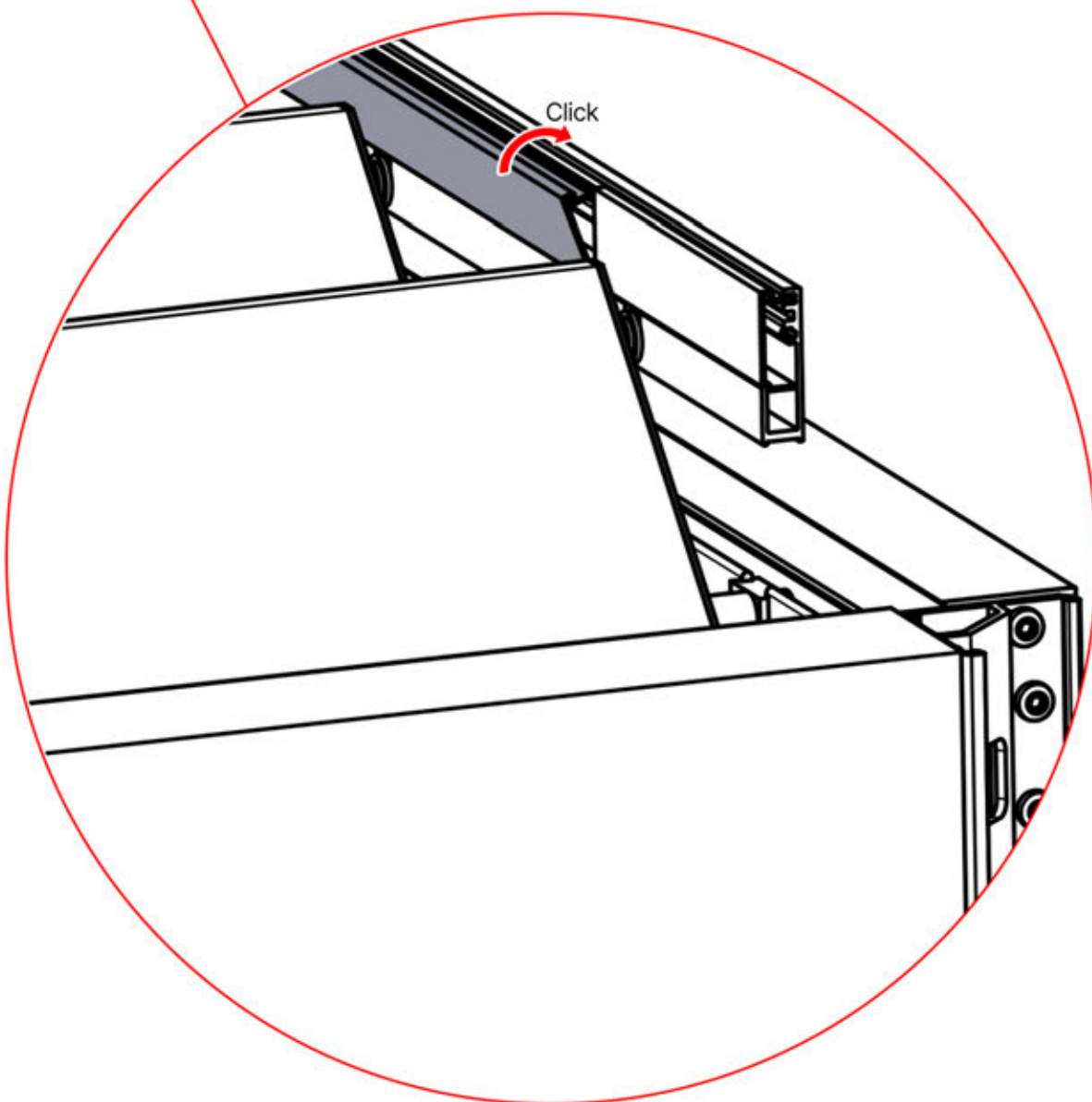
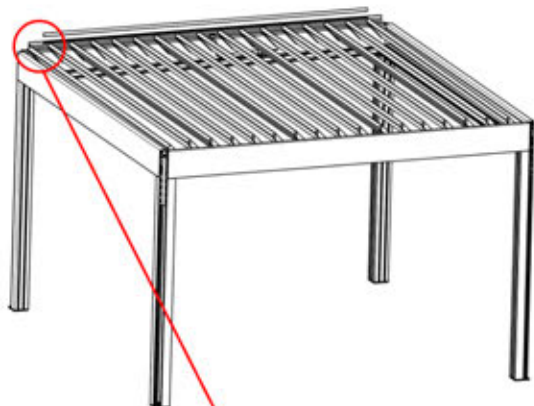

60

x1
PERGOLUX

2

ANTHRACITE: B284
WHITE: B288
BLACK: B292

PN-200002348
1x




61

x1
FERGOLUX

6

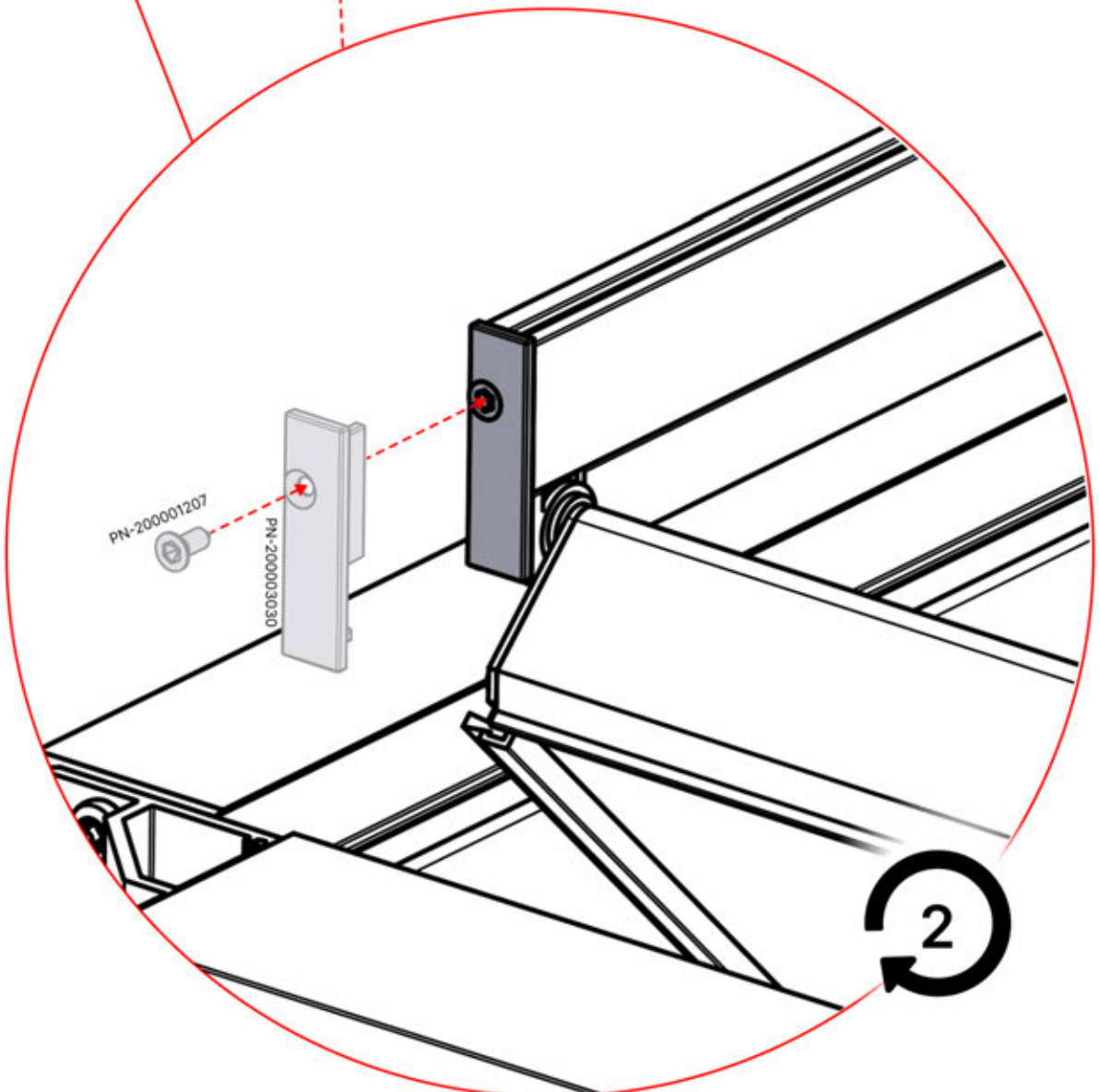
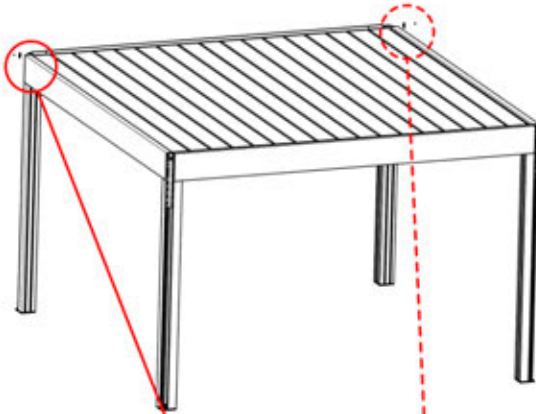
ANTHRACITE: L240
WHITE: L244
BLACK: L242



PN-200003030
1x

PN-200003031
1x

PN-200001207
2x



62

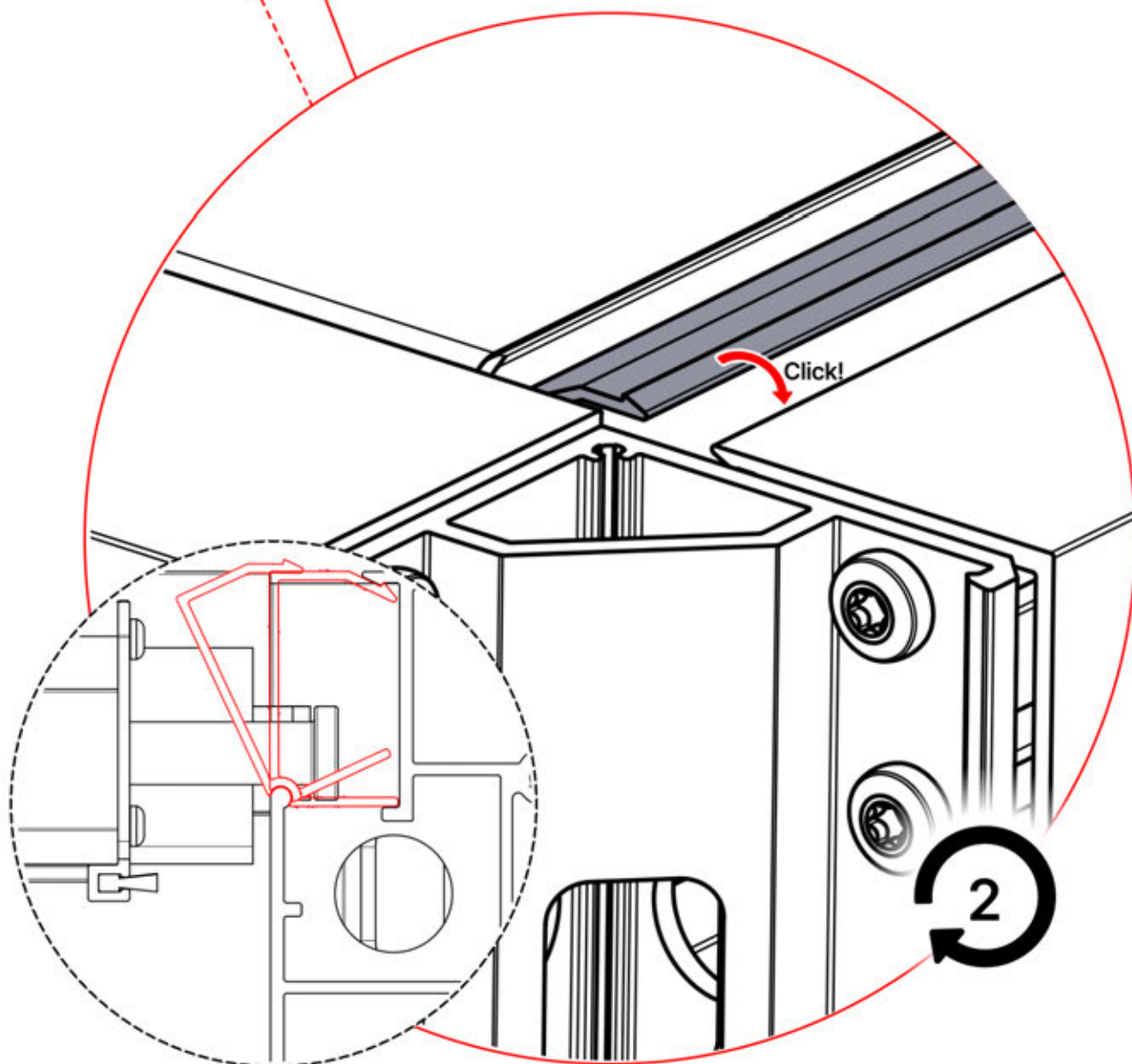
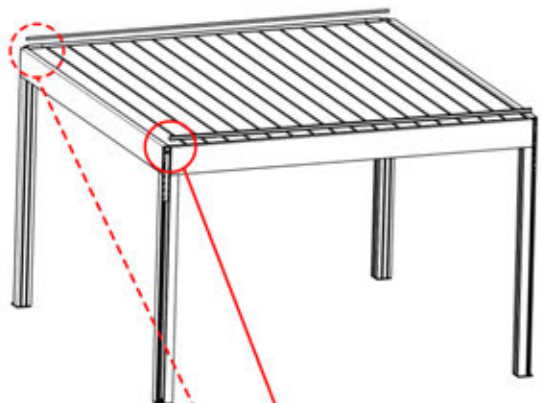
x1
PERGOLUX

2


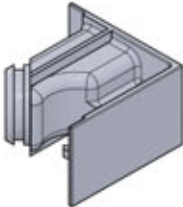
ANTHRACITE: B284
WHITE: B288
BLACK: B292

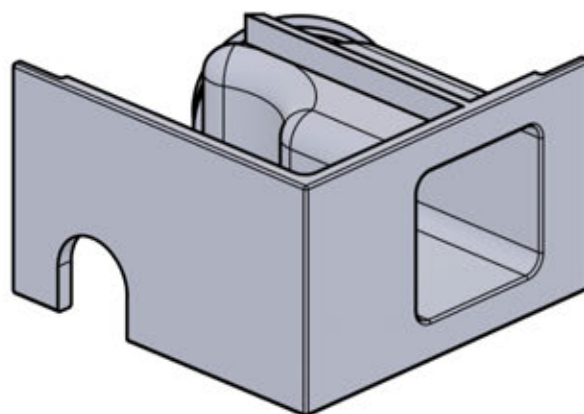
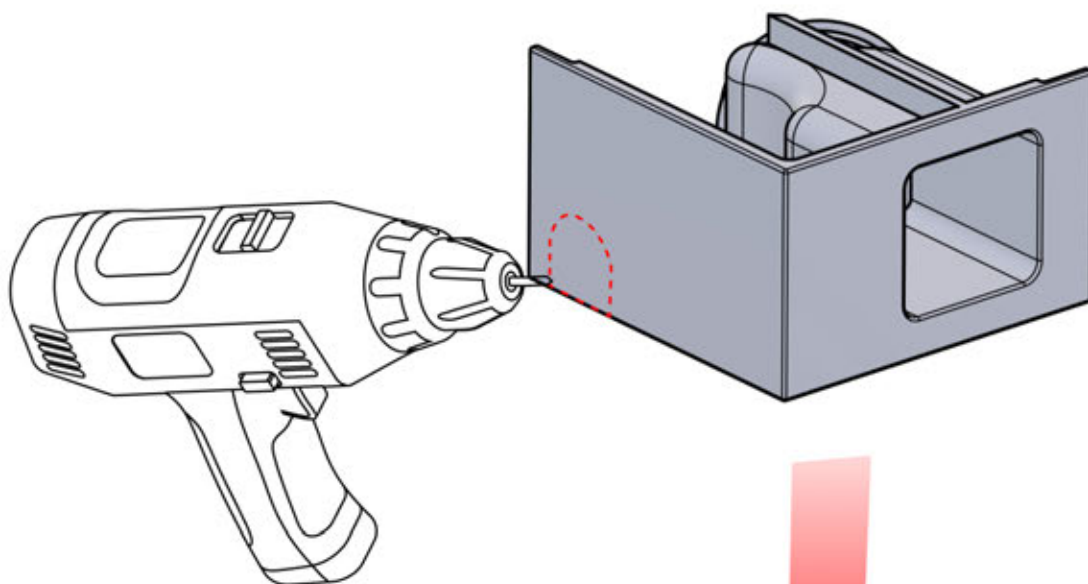
PN-200002350
1x

PN-200002357
1x



INFORMATION

	6		PN-200002303 4x
ANTHRACITE:	L240		
WHITE:	L244		
BLACK:	L242		



Select one of the four PN-200002303 parts and drill a 10 mm diameter hole to accommodate the power cable.

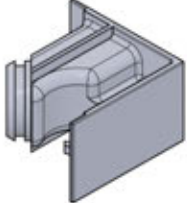
This specific part must be assembled to the corner pole as illustrated in step 64


63

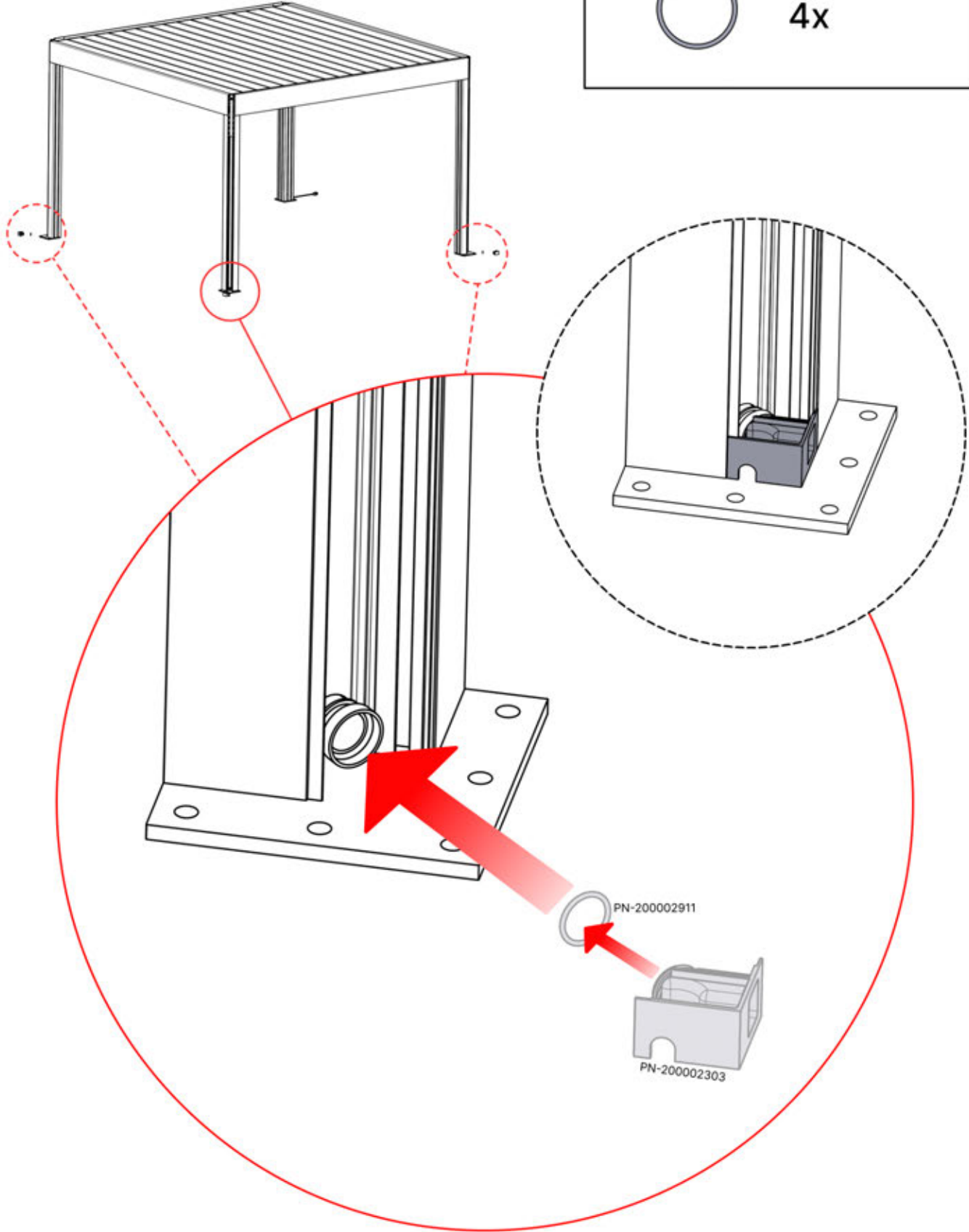
6

x7
PERGOLUX

ANTHRACITE: L240
WHITE: L244
BLACK: L242

 PN-200002303
4x

 PN-200002911
4x

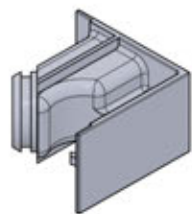


64


x7
PERGOLUX

6

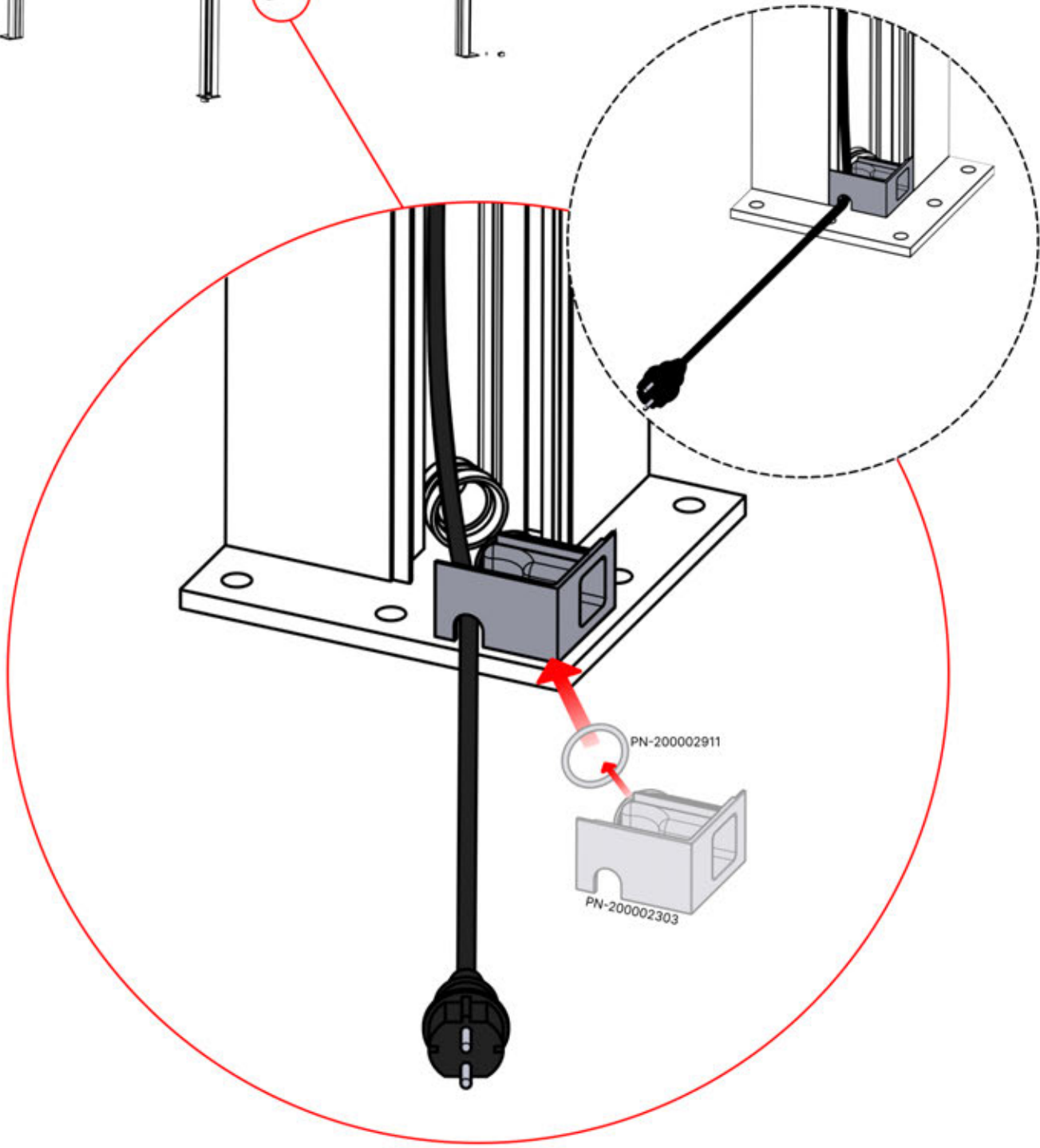
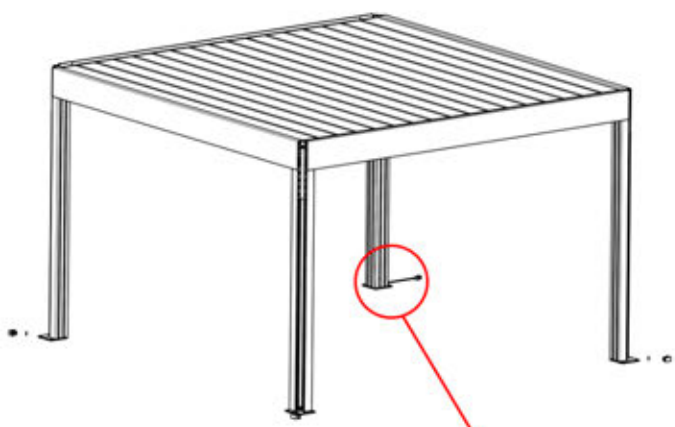
ANTHRACITE: L240
WHITE: L244
BLACK: L242



PN-200002303
4x



PN-200002911
4x




65




x2
FERGOLUX
FERGOLUX

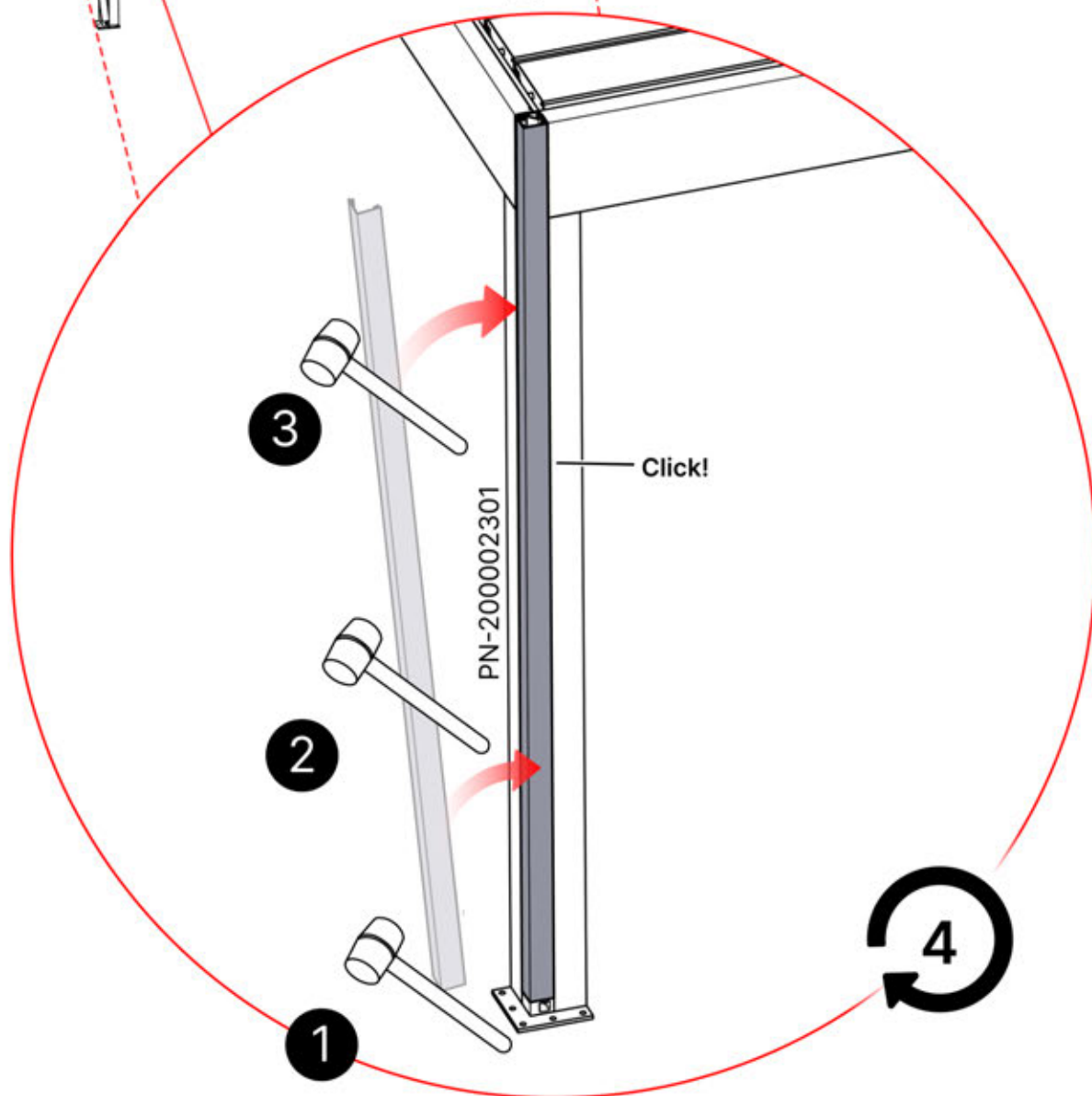
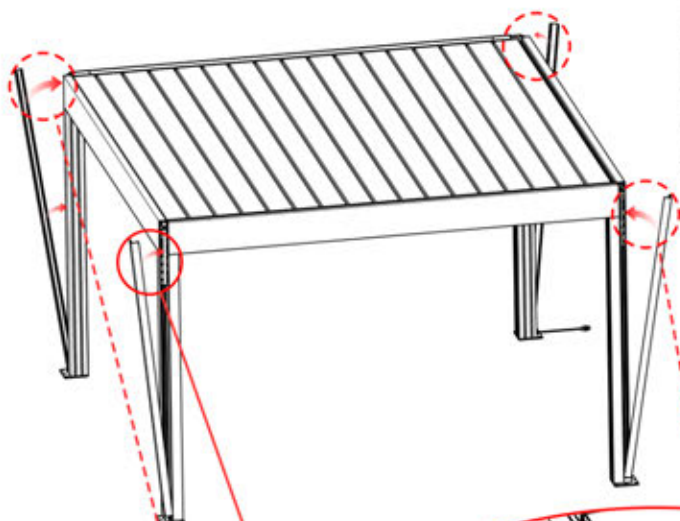
1

ANTHRACITE: C126
WHITE: C127
BLACK: C128

PN-200002301
4x





3

2

1

4

Click!


PN-200002301

66

x7
PERGOLUX

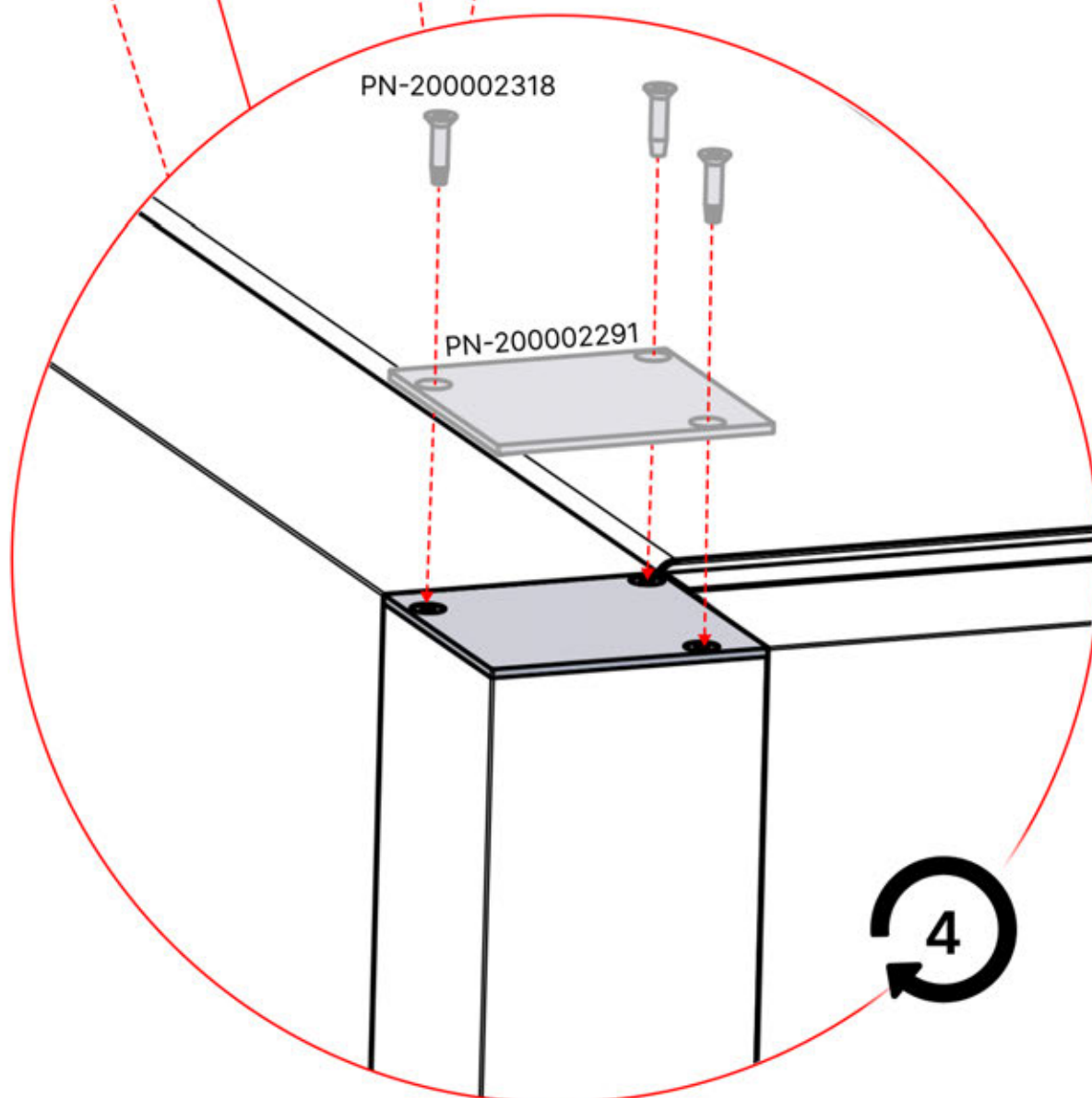
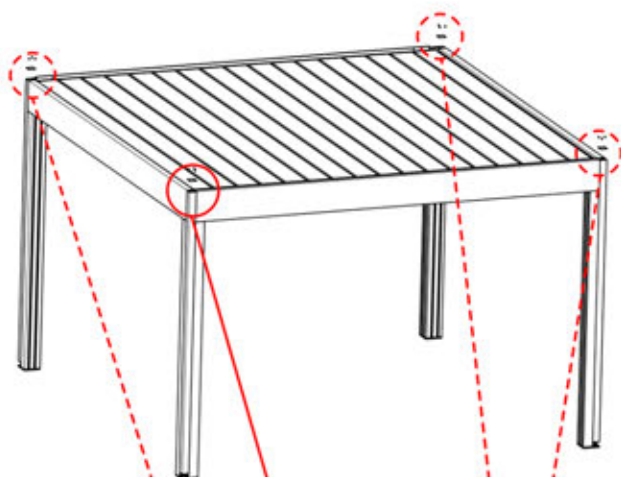
6

ANTHRACITE: L240
WHITE: L244
BLACK: L242

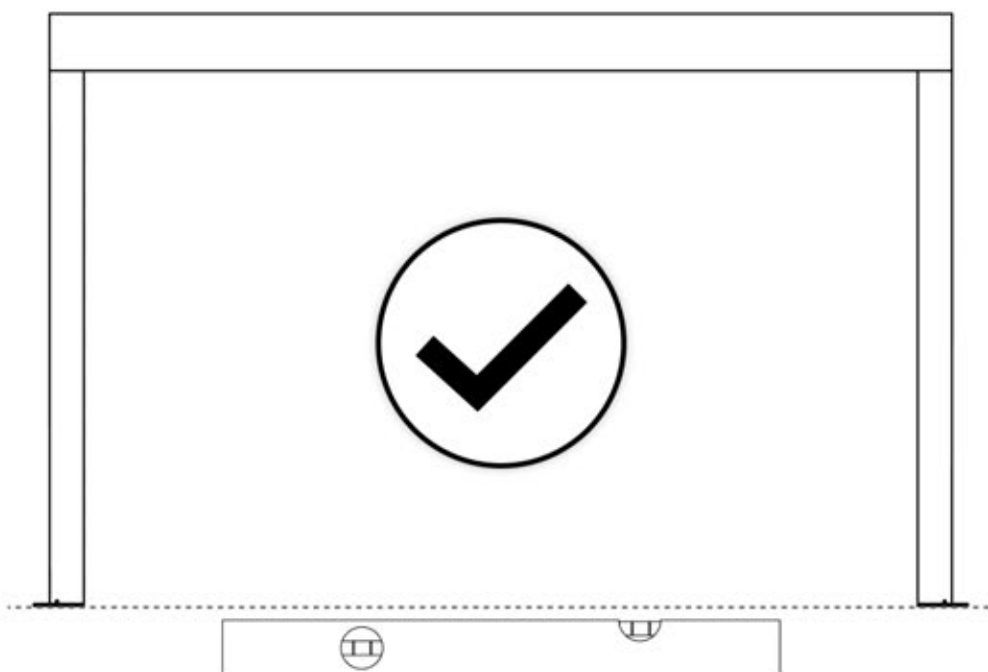
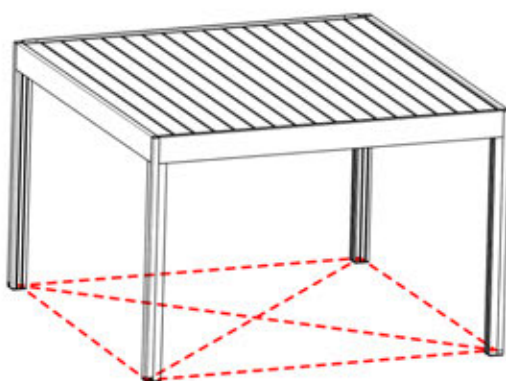
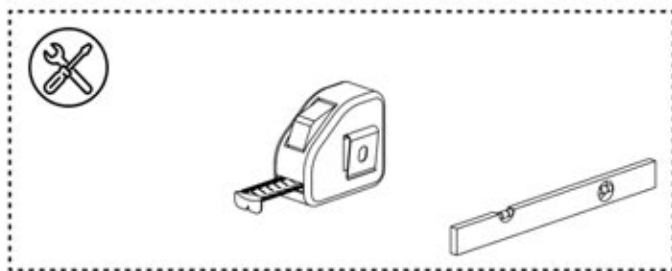


PN-200002291
4x

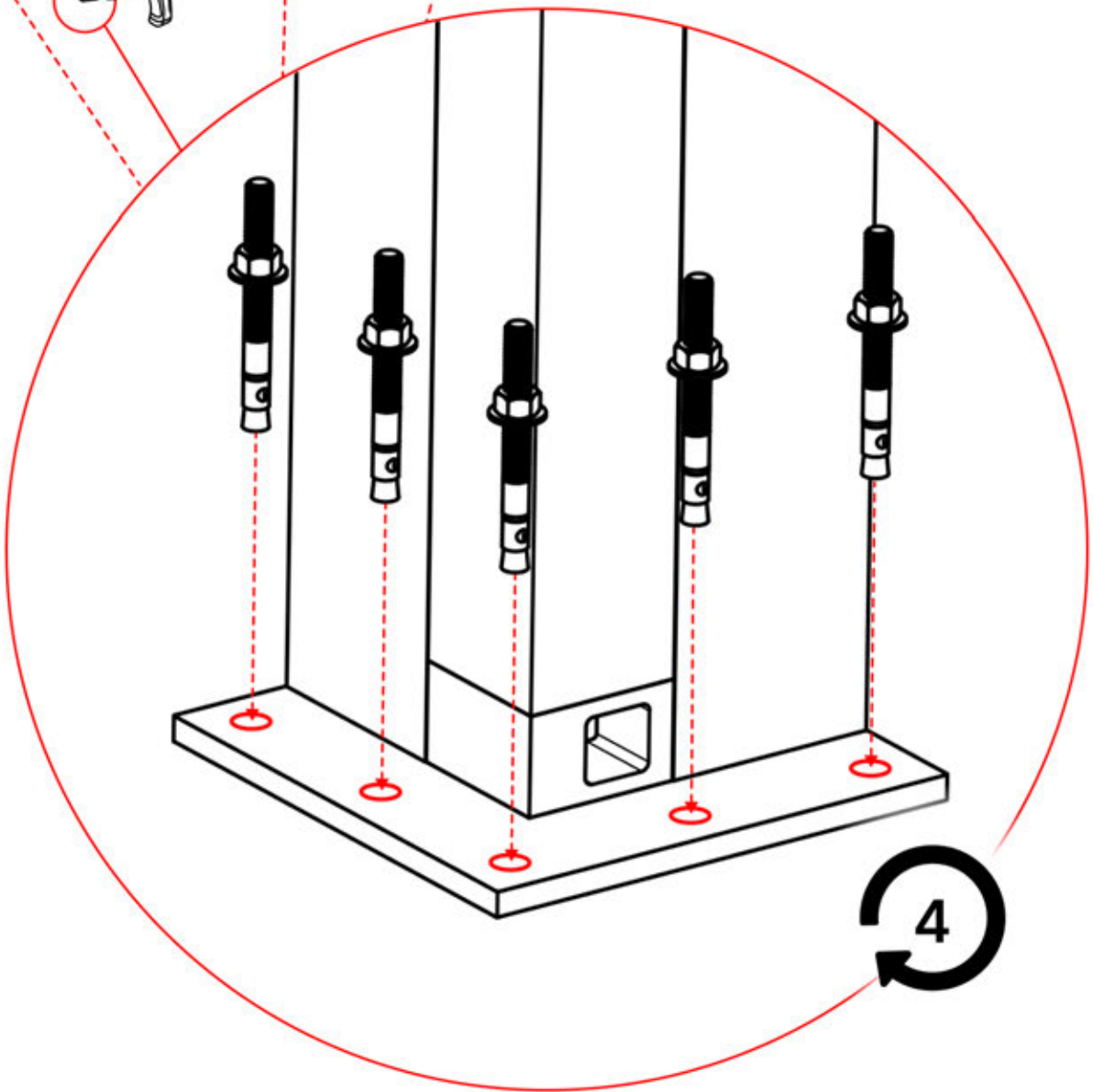
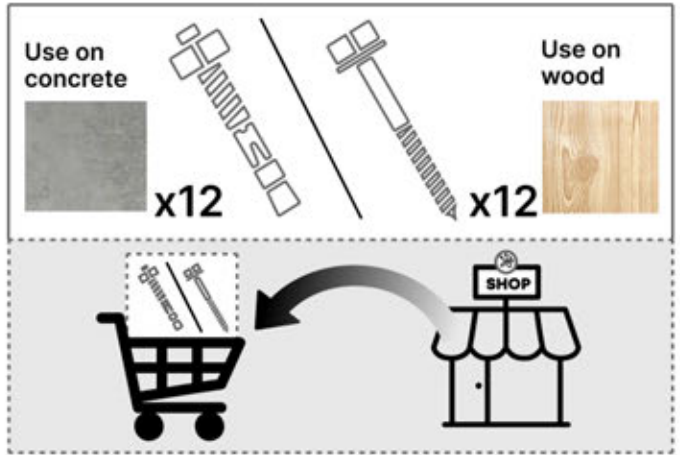
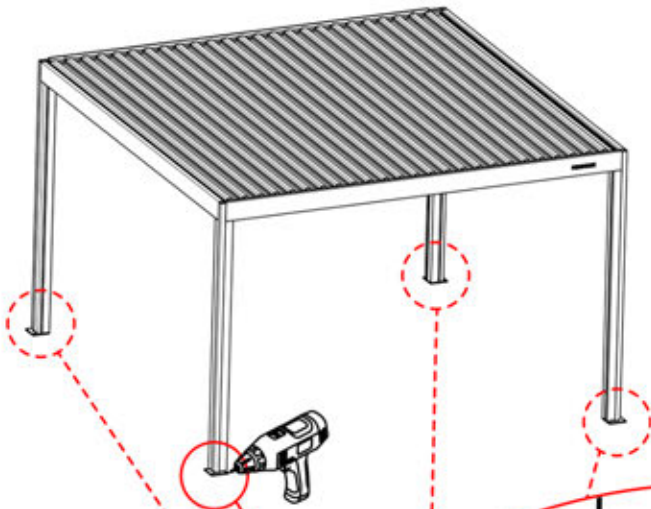
PN-200002318
12x



67



68



S4 PERGOLUX | PERGOLA PRO MAX FREESTANDING

4 X 4 M / 13' X 13'

