

S4

PERGOLA

PRO MAX



3 × 5m / 10' x 16'
FREESTANDING

PERGOLUX



Type Approved
Regular
Production
Surveillance

www.tuv.com
ID 1111293124

INFORMATION



INSTALLATION INSTRUCTIONS:

Ensure all parts are present and undamaged before starting the assembly.

Secure to a solid foundation with the correct fasteners for your foundation.

(If applicable) Install motors and wiring as shown. Ensure the electrical components are powered off during installation.

Use the correct lifting and installation equipment.

SAFETY WARNINGS:

Keep children and pets away during installation.

Do not operate the structure if parts are loose or improperly installed.

Ensure the structure is securely anchored to prevent accidents.

Do not insert fingers or any objects between the louvres.

MAINTENANCE:

Regularly clean the aluminum structure to maintain its appearance and prevent the accumulation of dirt.

Also, make sure to clean the gutters regularly. Inspect moving parts for wear and lubricate as necessary.

Check anchor points periodically to ensure stability.



INSTALLATIONSANLEITUNG:

Stellen Sie sicher, dass alle Teile vorhanden und unbeschädigt sind, bevor Sie mit der Montage beginnen.

Befestigen Sie sie mit den richtigen Befestigungselementen für Ihr Fundament auf einem soliden Fundament.

(Falls zutreffend) Installieren Sie Motoren und Verkabelung wie gezeigt. Stellen Sie sicher, dass die elektrischen Teile während der Installation ausgeschaltet sind.

Verwenden Sie die richtige Hebe- und Installationsausrüstung.

SICHERHEITSHINWEISE:

Halten Sie Kinder und Haustiere während der Installation fern.

Betreiben Sie die Struktur nicht, wenn Teile lose oder nicht richtig installiert sind.

Stellen Sie sicher, dass die Struktur sicher verankert ist, um Unfälle zu vermeiden.

Stecken Sie keine Finger oder andere Gegenstände zwischen die Lamellen.

WARTUNG:

Reinigen Sie die Aluminiumstruktur regelmäßig, um ihr Aussehen zu erhalten und die Ansammlung von Schmutz zu verhindern.

Reinigen Sie auch die Dachrinnen regelmäßig. Überprüfen Sie bewegliche Teile auf Verschleiß und schmieren Sie sie bei Bedarf.

Überprüfen Sie die Ankerpunkte regelmäßig, um die Stabilität sicherzustellen.



Pergolux GmbH, 9 Goethestraße,
36043 Fulda,
Germany

26

DOP-MAX-FSWM-S4

EN 13561:2015

Pergolux Pergola PRO MAX S4
External use in buildings and other
construction works

Resistance to wind loads: Class6(EN13561)

SYMBOL EXPLANATION



Indicates the outside of the pergola structure.



This step may require extra force.



Indicates the inside of the pergola structure.



Key information to follow during installation.



Important! Be cautious when assembling or handling this part.



This item must be purchased separately.



Required tools for assembly.



Apply lubricant to make screw assembly easier.



Ensure grounding is connected before powering up.



Do not use a regular hammer, as it may cause damage.



Align slats according to sunlight direction for optimal shading.



AC Input



Repeat this step as many times as the number indicates

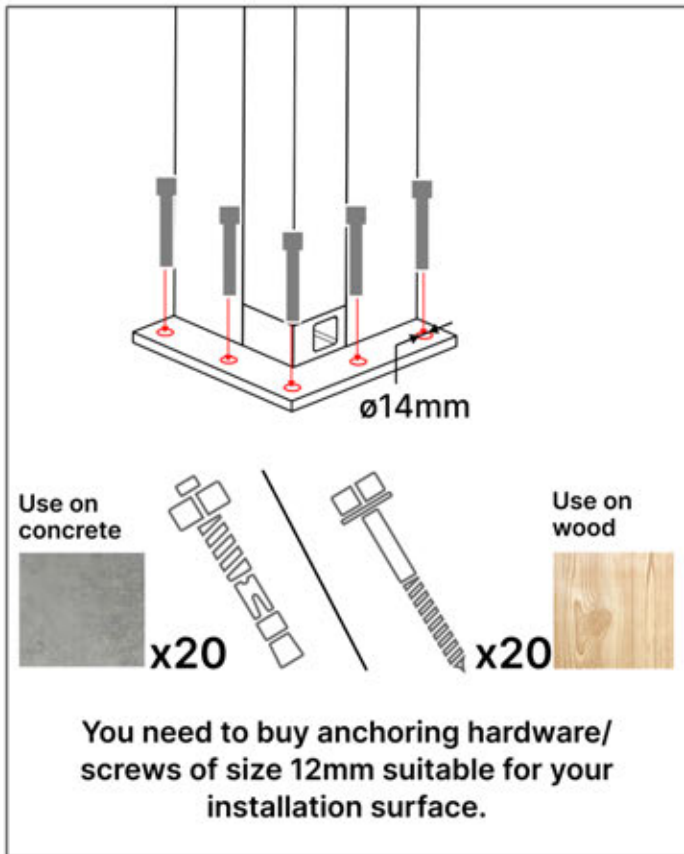


Motor



Turn around

S4 PERGOLUX | PERGOLA PRO MAX FREESTANDING INFORMATION

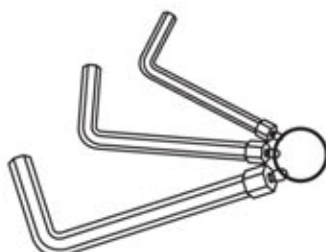
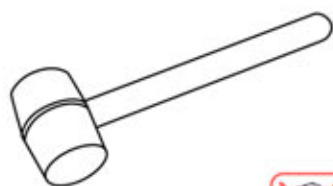


All screws from **PERGOLUX** are made of stainless steel, ensuring durability and resistance to rust. To prevent damage to screws, follow these guidelines:

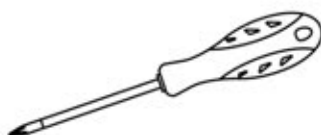
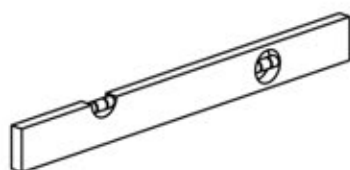
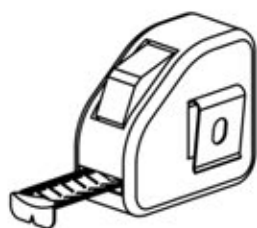
- **DO NOT OVERTIGHTEN:** Apply appropriate force to avoid stripping the threads.
- **CHOOSE THE CORRECT TOOL:** Use the proper screwdriver or bit to avoid damaging the screw head.
- **ENSURE PROPER USE:** With correct installation, screws will maintain their integrity and functionality over time.
- **USE LUBRICATION:** Apply lubricant to make screw assembly easier.



INFORMATION

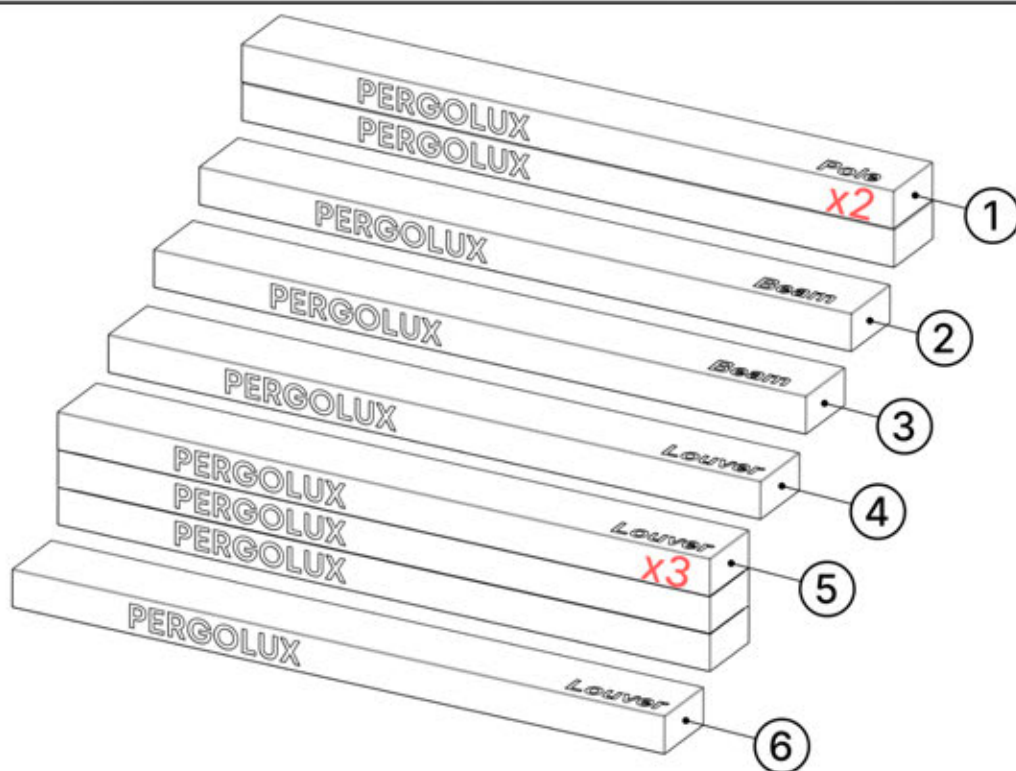


3mm, 4mm, 5mm



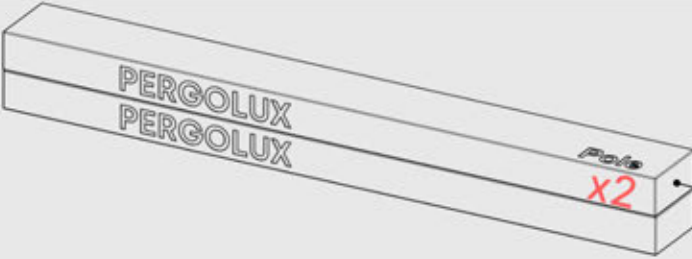
TX15, TX20, TX25, TX30

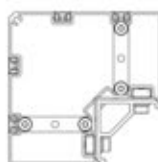
PACKAGE OVERVIEW



ORDER	ANTHRACITE	WHITE	BLACK
①	C126	C127	C128
②	B285	B289	B293
③	B307	B309	B311
④	L263	L267	L265
⑤	L251	L255	L253
⑥	L239	L243	L241
⑦	ELECTRIC MOTOR		
⑧	CONTROL BOX		
⑨	POWER CABLE		
⑩	LED BOX		

ITEMS IN BOX

	ANTHRACITE	WHITE	BLACK
	C126	C127	C128



PN-200002467

4x



PN-200002301

4x



PN-200003584







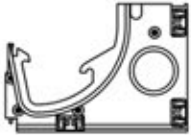




4x




PN-200002299

4x

ITEMS IN BOX

	ANTHRACITE	WHITE	BLACK
	B285	B289	B293
		<p>PN-200003503</p> <p>1x</p>	
		<p>PN-200003507</p> <p>1x</p>	
		<p>PN-200002486</p> <p>2x</p>	
		<p>PN-200002474</p> <p>1x</p>	
		<p>PN-200002470</p> <p>1x</p>	

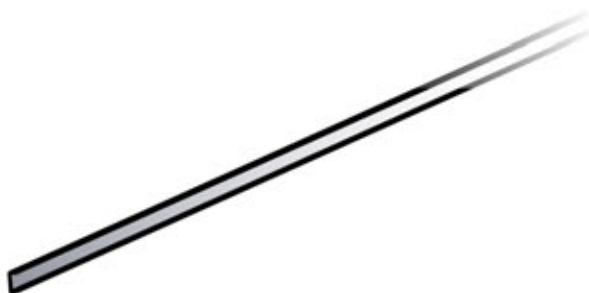
ITEMS IN BOX

 PERGOLUX B285	ANTHRACITE	WHITE	BLACK
	2	B285	B289



PN-200002492

1x



PN-200002493


1x



PN-200002490

2x

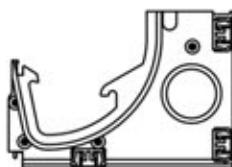
ITEMS IN BOX

	ANTHRACITE	WHITE	BLACK
	B307	B309	B311

3



PN-200003529
2x



PN-200002932
2x




Premounted
PN-200003515
2x

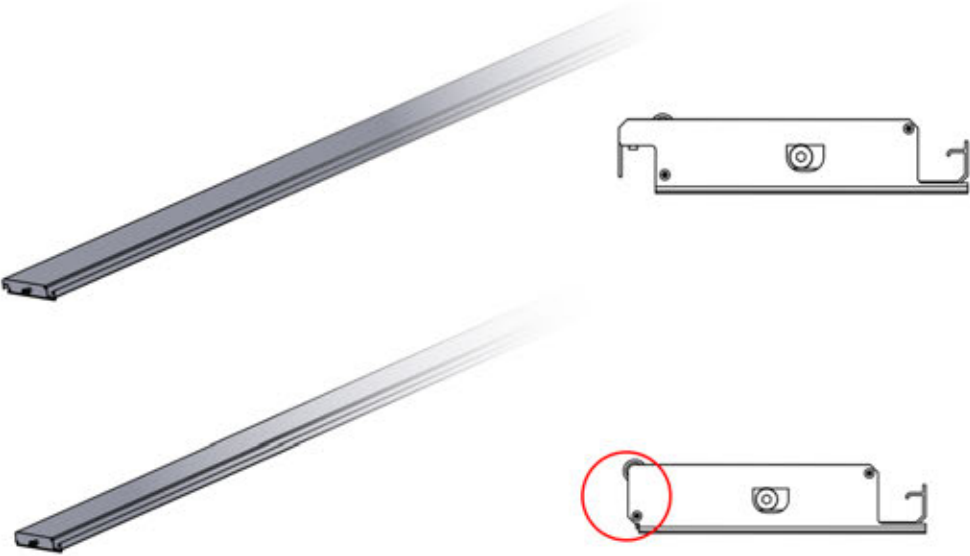


PN-200002933
2x

ITEMS IN BOX

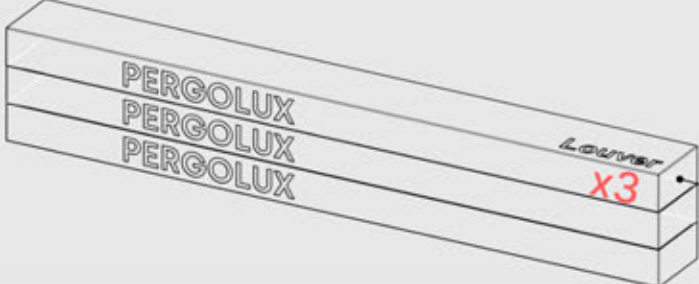


	ANTHRACITE	WHITE	BLACK
4	L263	L267	L265

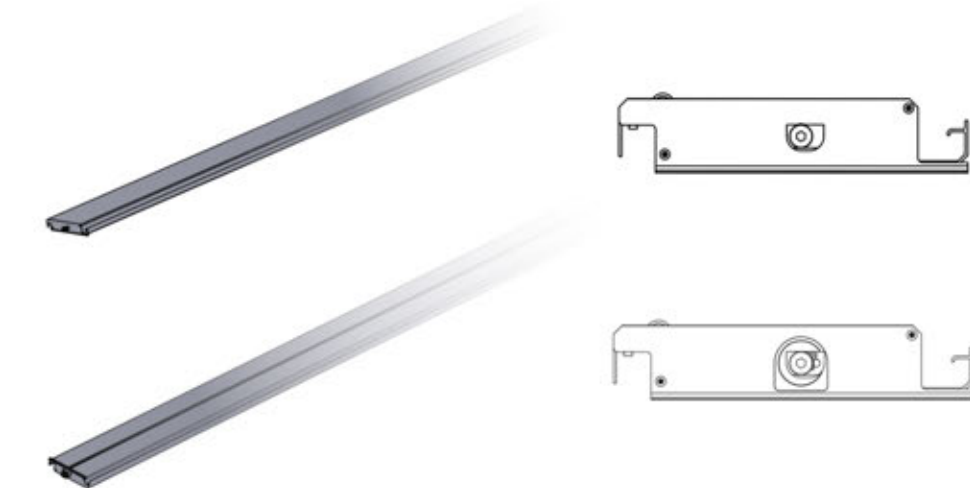


Standard = **(S)**
 PN-200003532
4x

End = **(E)**
 PN-200003534
1x




	ANTHRACITE	WHITE	BLACK
5	L251	L255	L253

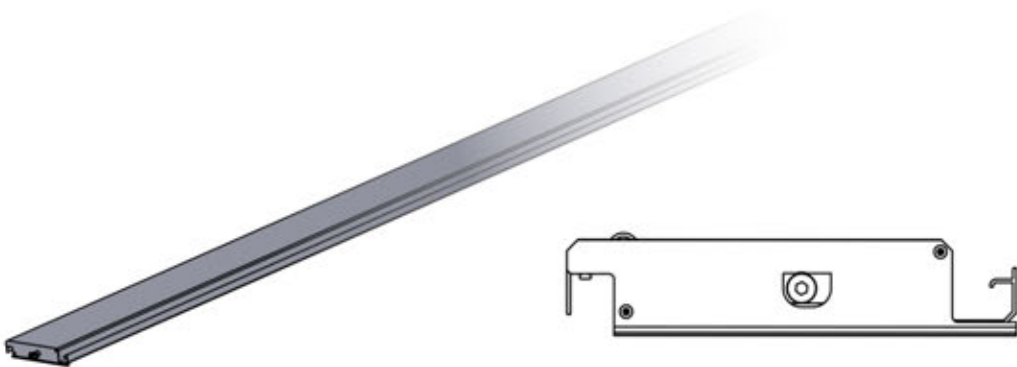


Standard = **(S)**
 PN-200003532
6x

LED = **(LED)**
 PN-200003536
6x

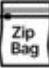
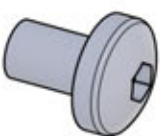

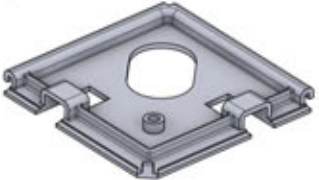
ITEMS IN BOX

	ANTHRACITE	WHITE	BLACK
	6	L239	L243

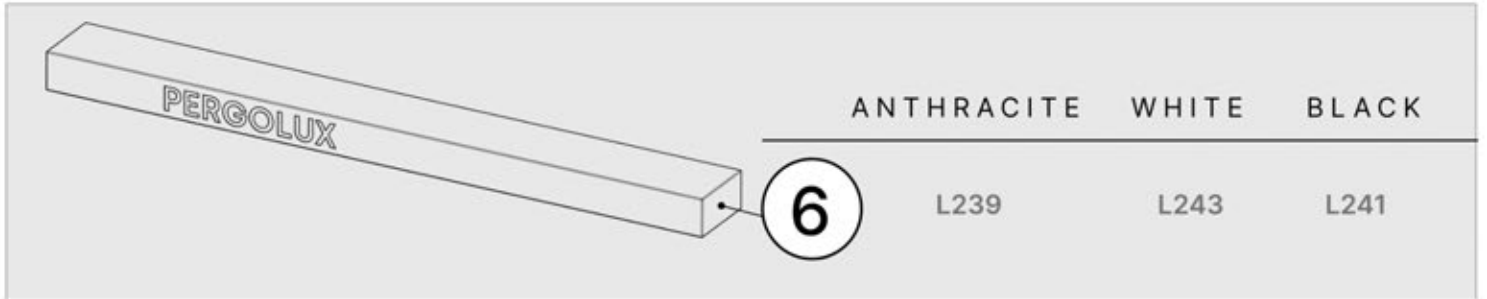


Standard = **S**
 PN-200003532
4x

 PN-20000 3278  150mm 	PN-200003033 2x PN-200003030 1x	  4.2x12	PN-200003031 1x PN-200001207 2x
---	--	--	--

 PN-20000 3755 	PN-200000655 8x	 PN-20000 3758 	PN-200002284 4x
--	---------------------------	---	---------------------------

ITEMS IN BOX



Zip Bag
PN-20000
3757



PN-200002282
4x



PN-200002298
4x



PN-200000832
4x

Zip Bag
PN-20000
3496



PN-200002289
4x

Zip Bag
PN-20000
3756



PN-200000958
4x

Zip Bag
PN-20000
3750



PN-200003051
8x



PN-200003050
8x



PN-200003049
8x

Zip Bag
PN-20000
3759

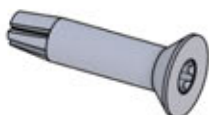


PN-200002291
4x

Zip Bag
PN-20000
3497



PN-200002329
4x

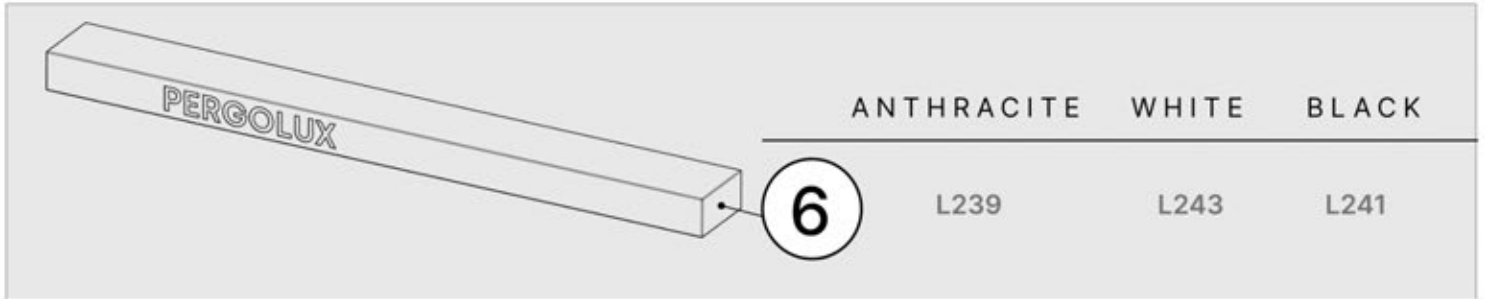












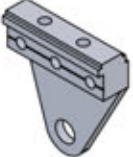

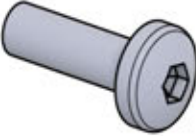


PN-200002318
12x




PN-200000852
8x

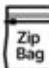


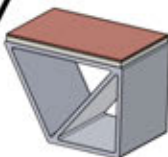
ITEMS IN BOX

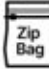


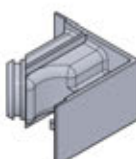


 PN-20000 3751		PN-200002355 1x		PN-200002333 1x
		PN-200002328 2x		PN-200002327 1x
		PN-200003500 1x		PN-200002324 1x
		PN-200002321 1x		PN-200002330 1x
		PN-200002325 1x		PN-200002340 1x
		PN-200002341 3x		PN-200000832 4x
		PN-200002326 1x		PN-200002134 2x

ITEMS IN BOX

	ANTHRACITE	WHITE	BLACK
	6	L239	L243

 PN-20000 3495	 PN-200002311 40x	 PN-20000 3767	 PN-200002286 8x
---	--	---	--

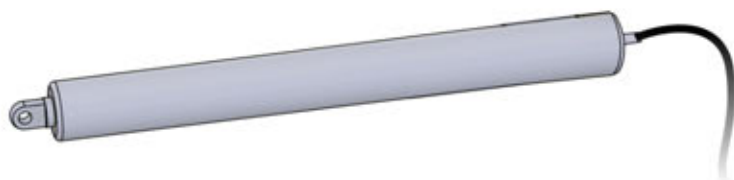
 PN-20000 3768	 PN-200002911 4x	 PN-200002297 4x
	 PN-200002303 4x	

ITEMS IN BOX



7

ELECTRIC MOTOR



Electric motor
PN-200001562
1x



PN-200003773

1x



PN-200001624

1x



PN-200001625

2x

ITEMS IN BOX



8

CONTROL BOX



Control box

1x



PN-200002756

1x



Matter antenna clip

1x



PN-200002754

1x



PN-200002684

10x



PN-200002758

1x



PN-200002683

5x



PN-200002753

2x



QR-code

1x



PN-200002759

2x



3M tape

1x



PN-200002757

1x

ITEMS IN BOX



9

POWER CABLE



PN-200003781

1x



10

LED BOX

PN-20000
Zip Bag
3828



LED STRIP

6x



6 LED HARNESS

1x



All electric parts should be tested before installation.

LEDs + Motor (and heater) should be connected to the Control box and programmed to ensure functionality.

Matter + Smart home can be connected at anytime by simply scanning the QR code provided

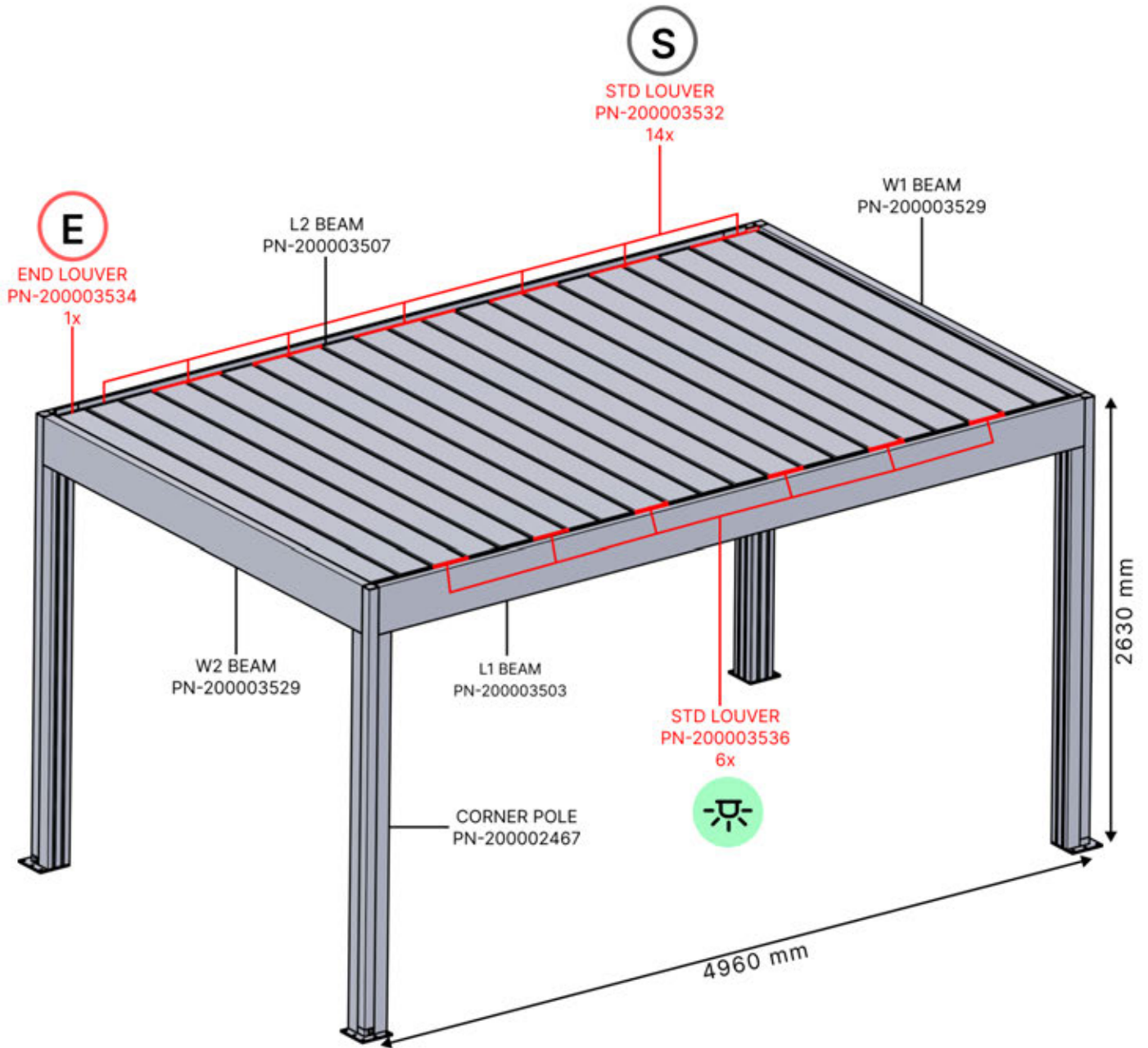


CONTROL BOX

[View Manual](#)

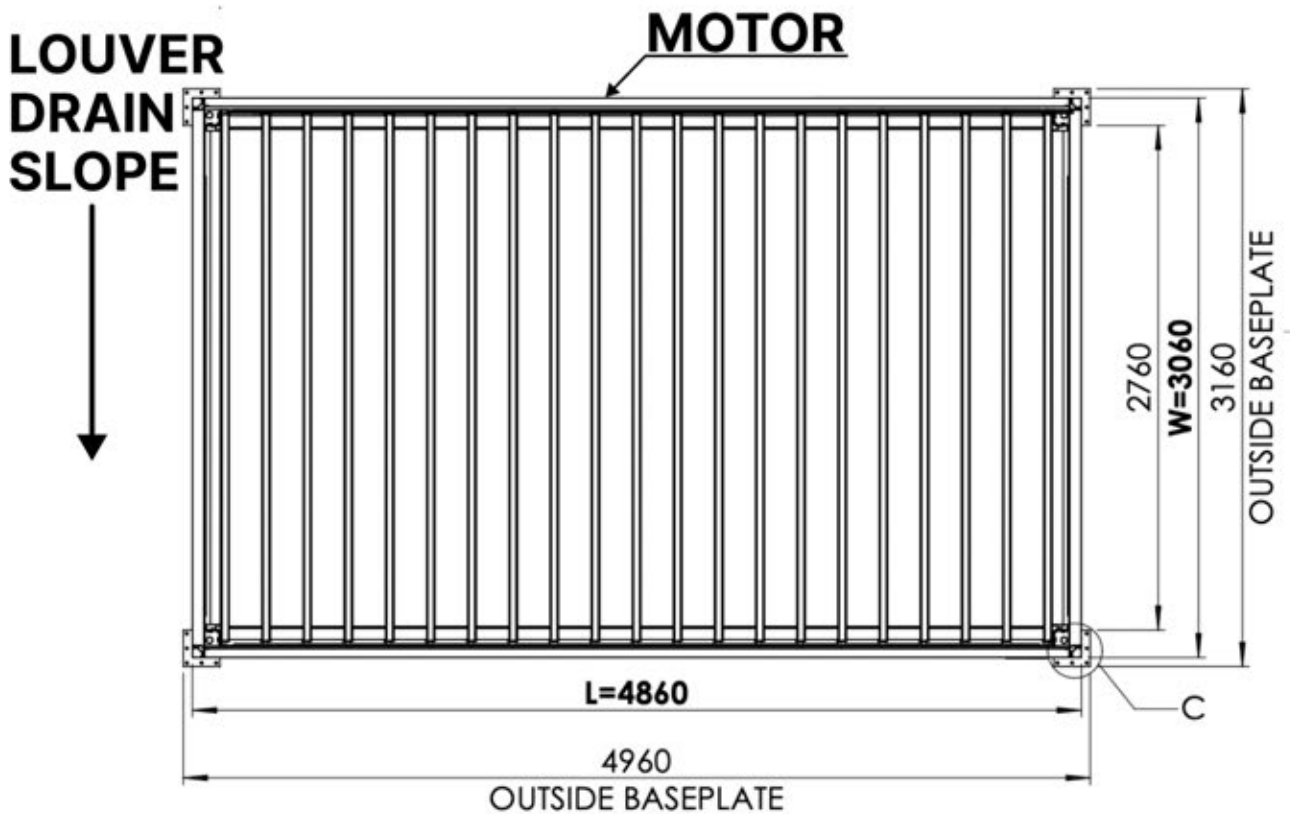
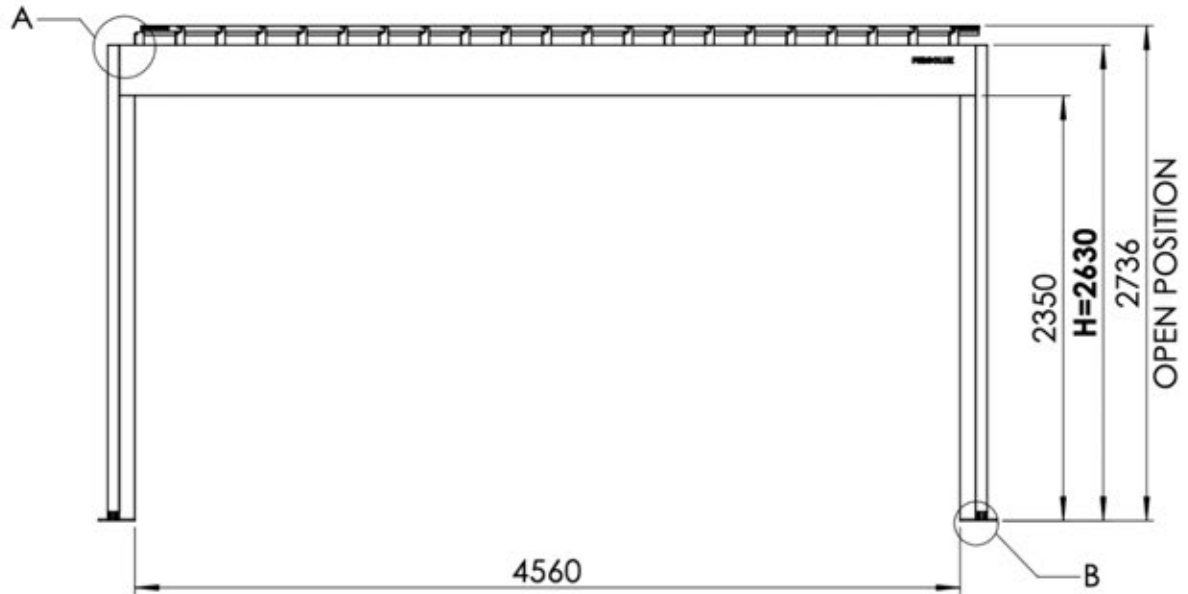
S4 PERGOLUX | PERGOLA PRO MAX FREESTANDING

3 x 5 m / 10' x 16'



S4 PERGOLUX | PERGOLA PRO MAX FREESTANDING

3 × 5 m / 10' x 16'



INFORMATION

Are you installing a screen, slat wall or glass wall?

It is recommended to remove these Snapfit covers and clips now before installing the pergola.

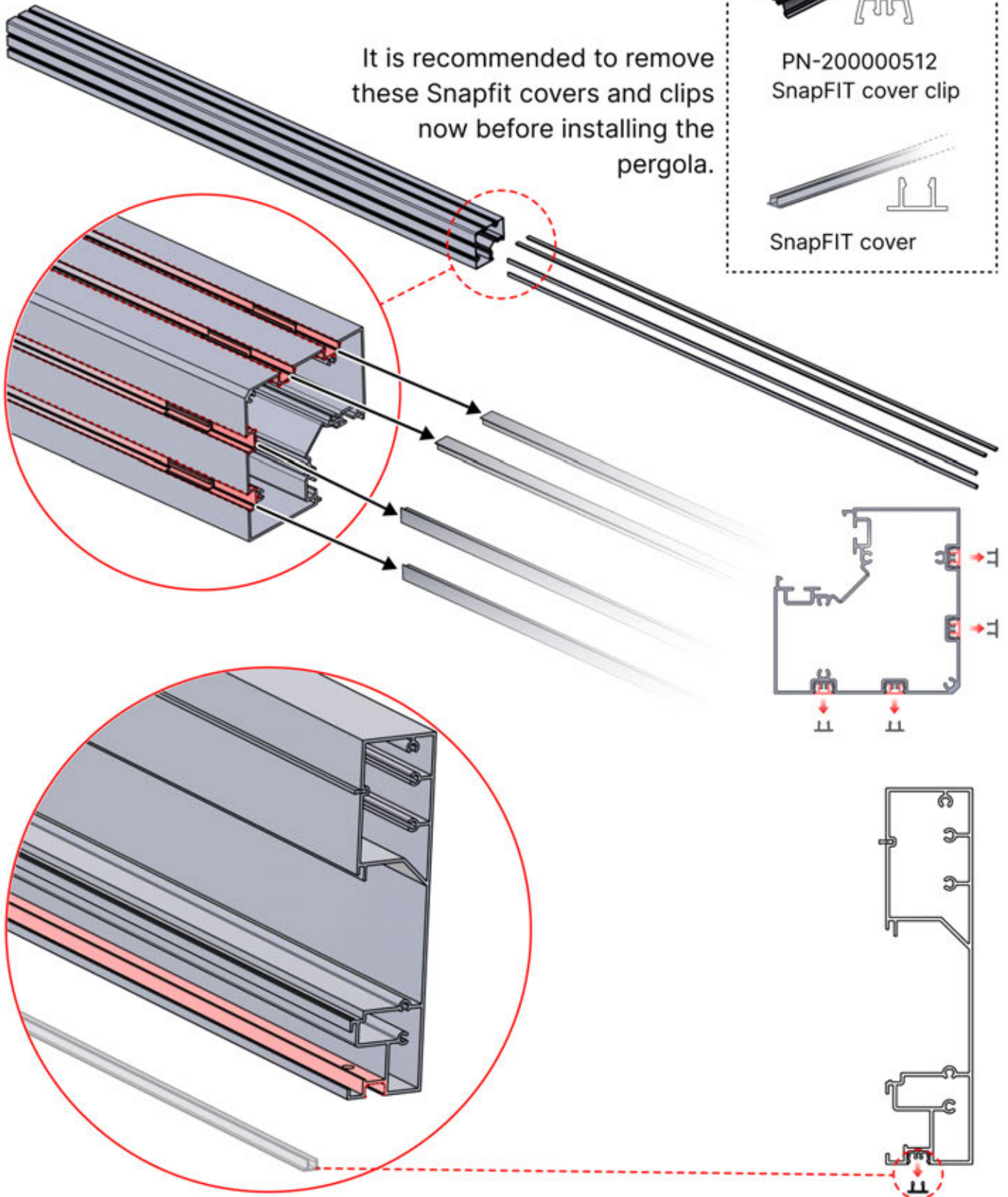
Cover and clips



PN-200000512
SnapFIT cover clip



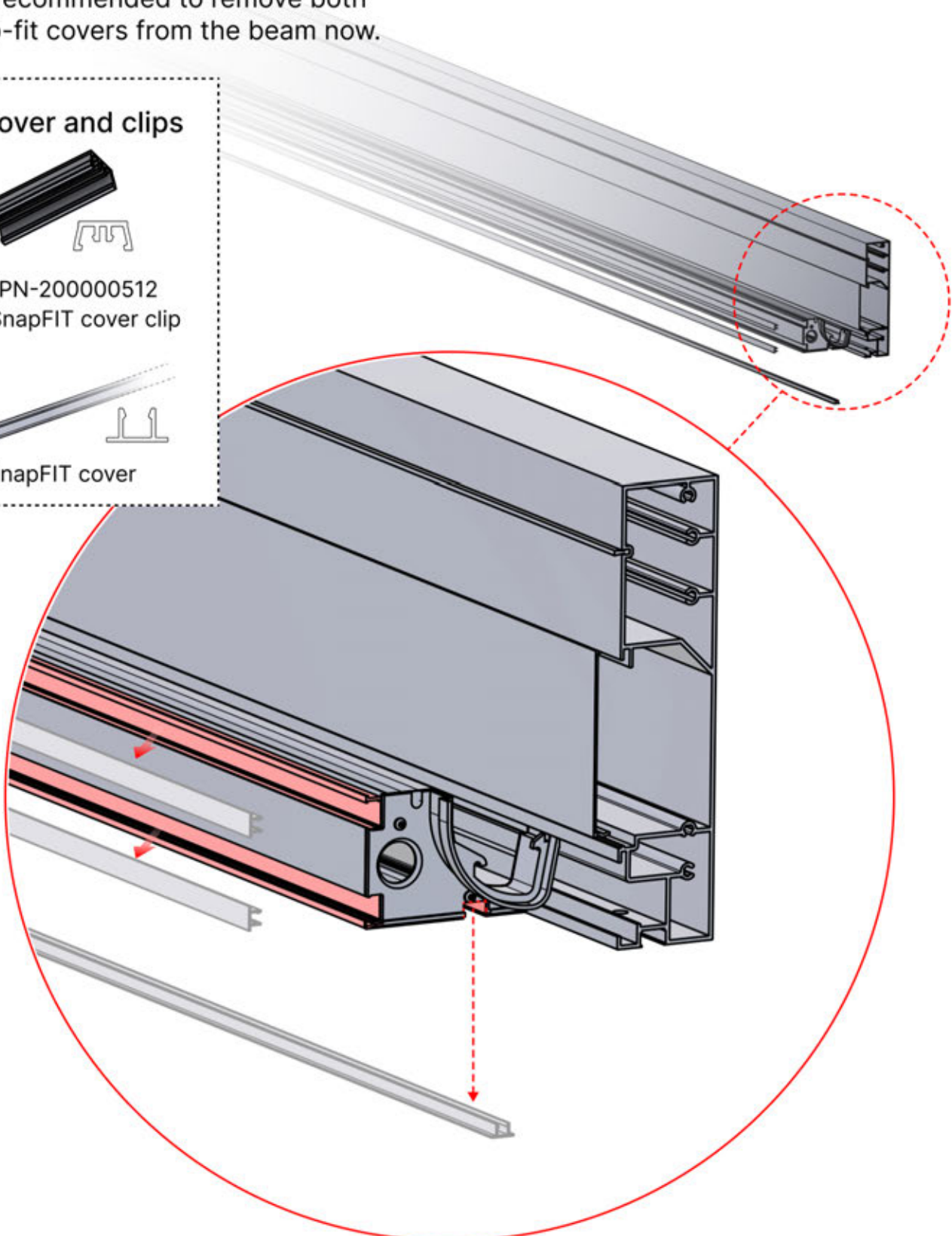
SnapFIT cover



INFORMATION

Are you installing a heater or fan ?

It is recommended to remove both snap-fit covers from the beam now.



INFORMATION

x1
PERGOLUX

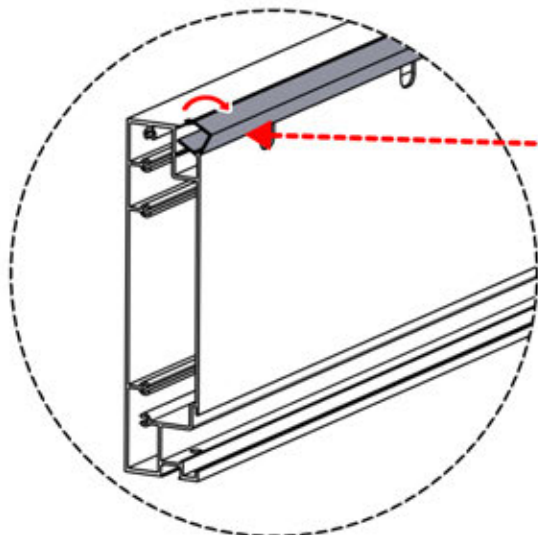
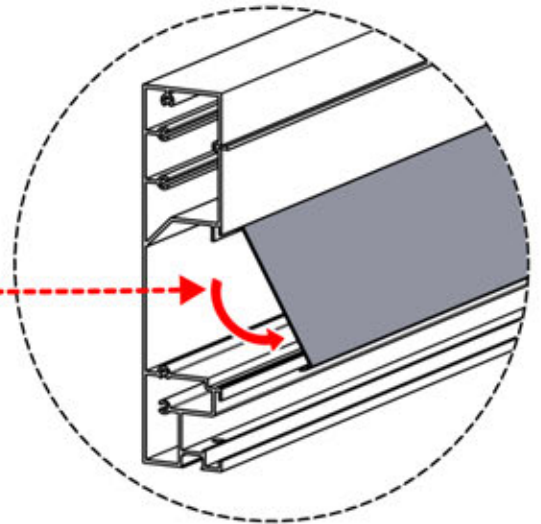
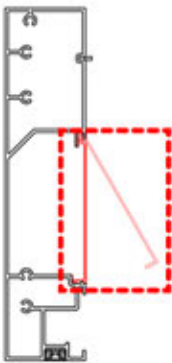
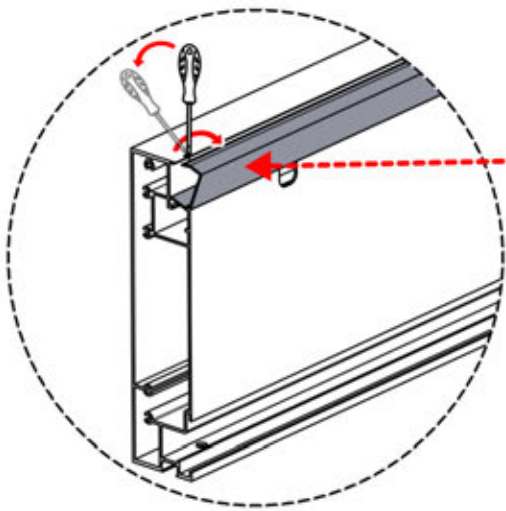
2

ANTHRACITE: B284
WHITE: B288
BLACK: B292


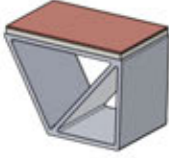
PN-200003507
1x

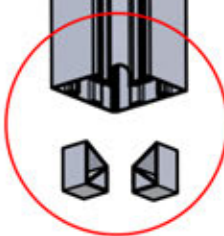
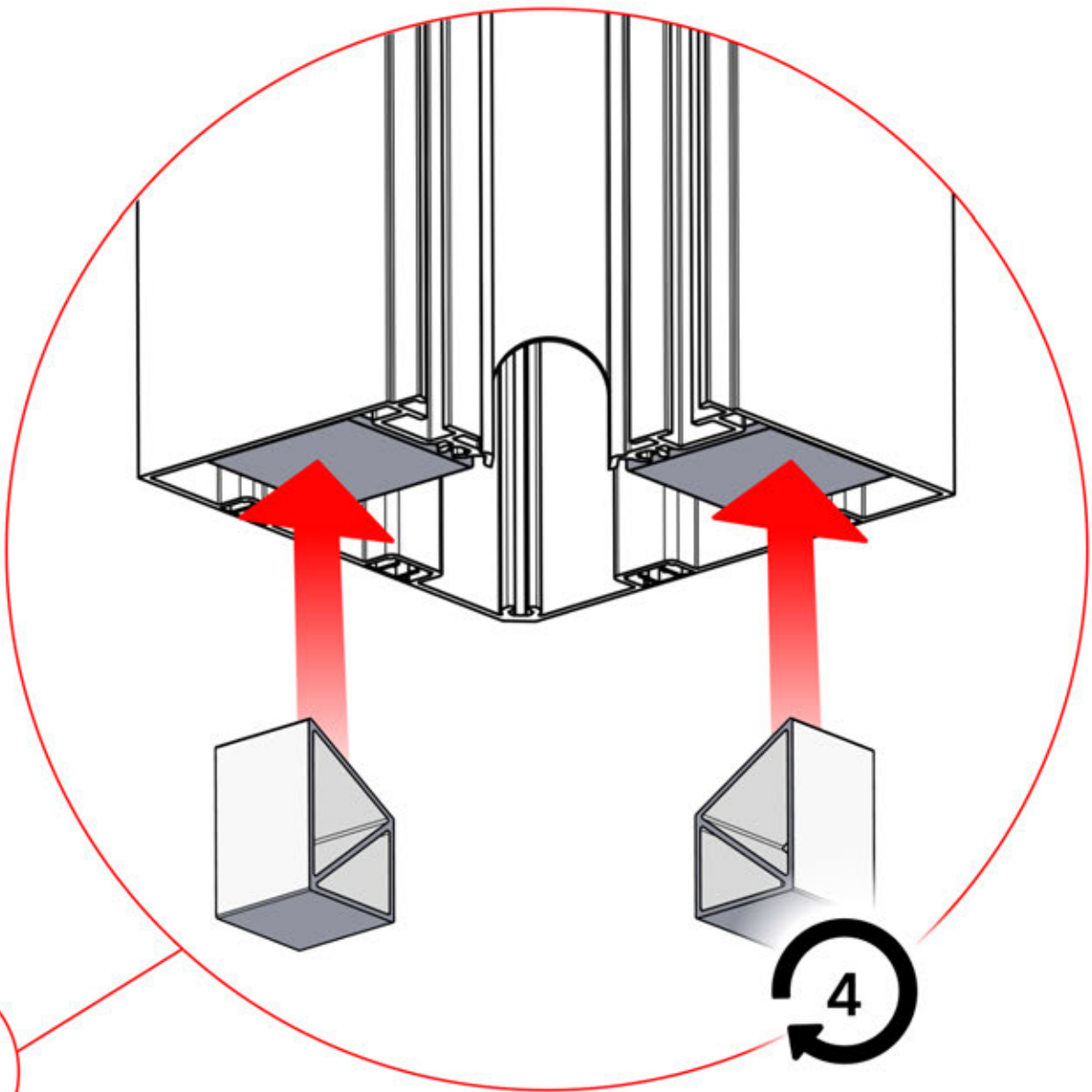
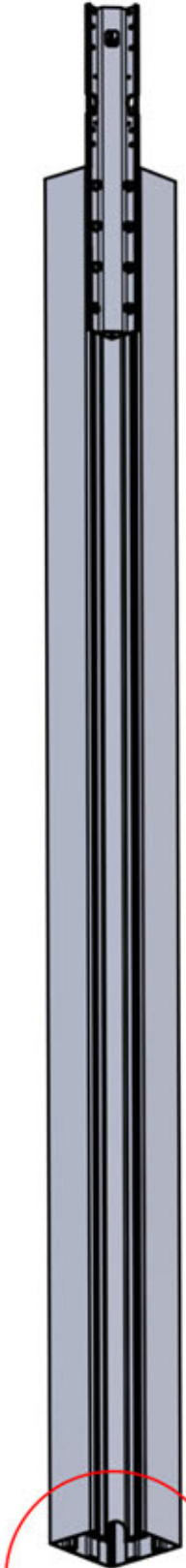
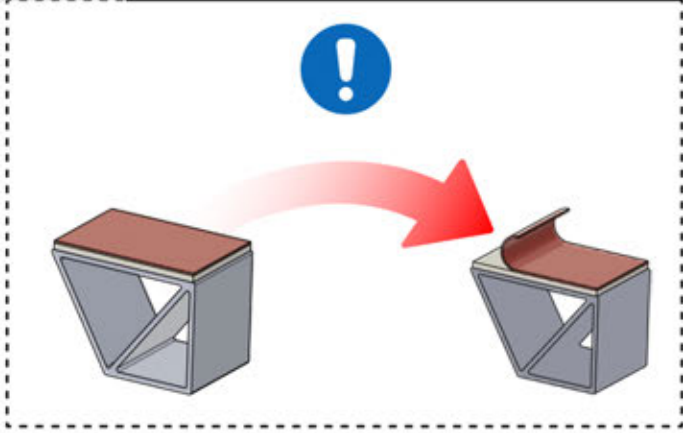
PN-200003529
2x

PN-200003503
1x



01

	6		PN-200002286 8x
ANTHRACITE:	L239		
WHITE:	L243		
BLACK:	L241		



02

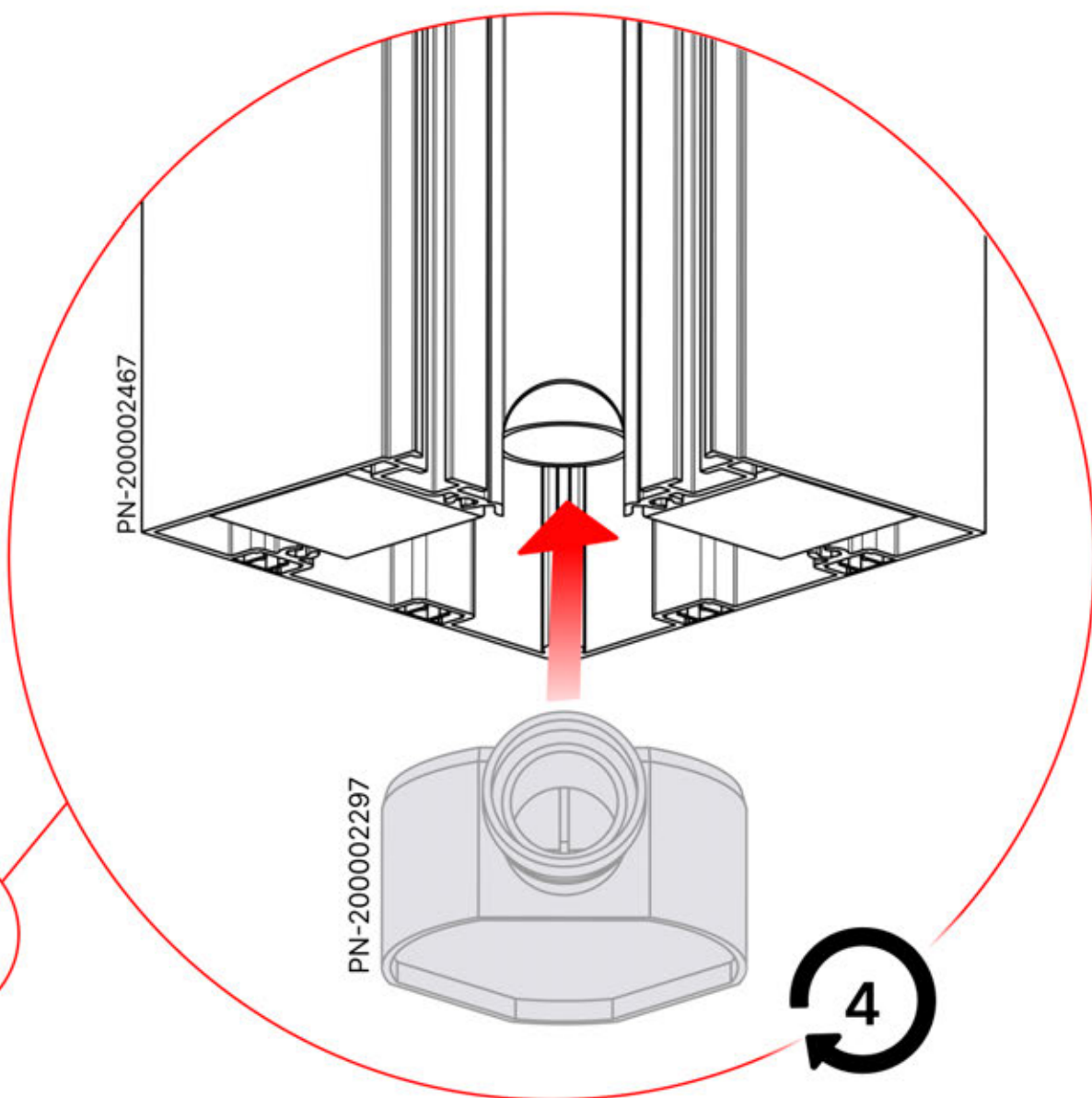
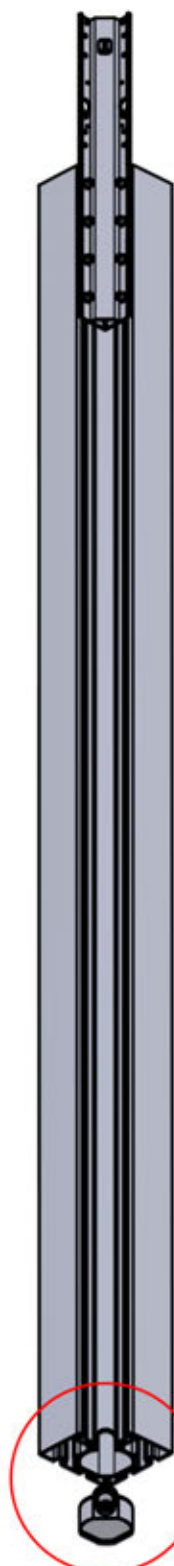
x2
PERGOLUX
PERGOLUX

1

ANTHRACITE: C126
WHITE: C127
BLACK: C128

PN-200002467
4x

PN-200002297
4x



03

x2
PERGOLUX
PERGOLUX


1

ANTHRACITE: C126
WHITE: C127
BLACK: C128


x1
PERGOLUX

6

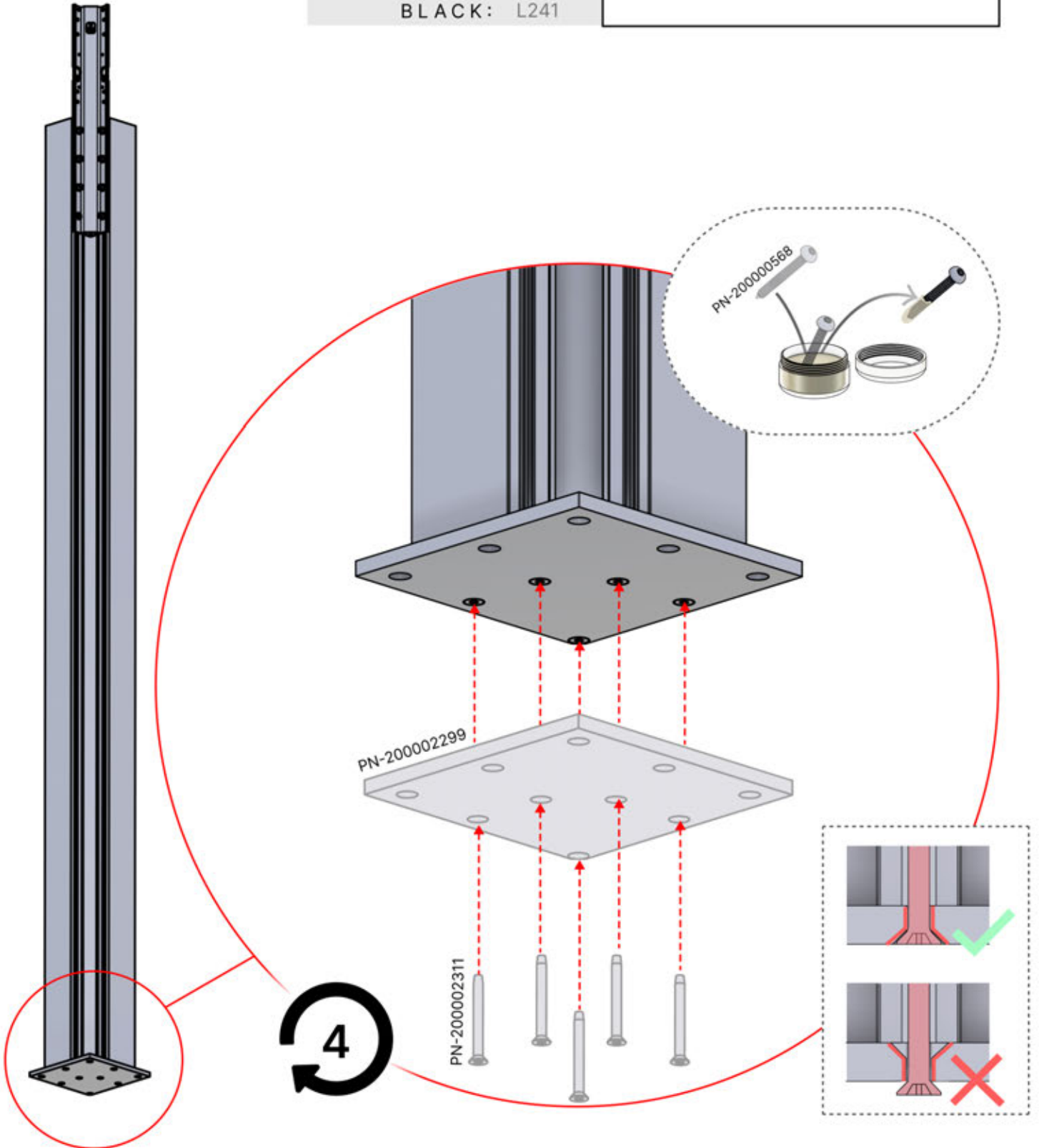
ANTHRACITE: L239
WHITE: L243
BLACK: L241



PN-200002299
4x



PN-200002311
20x



04

3

x1
PERGOLUX

ANTHRACITE: B307
WHITE: B309
BLACK: B311

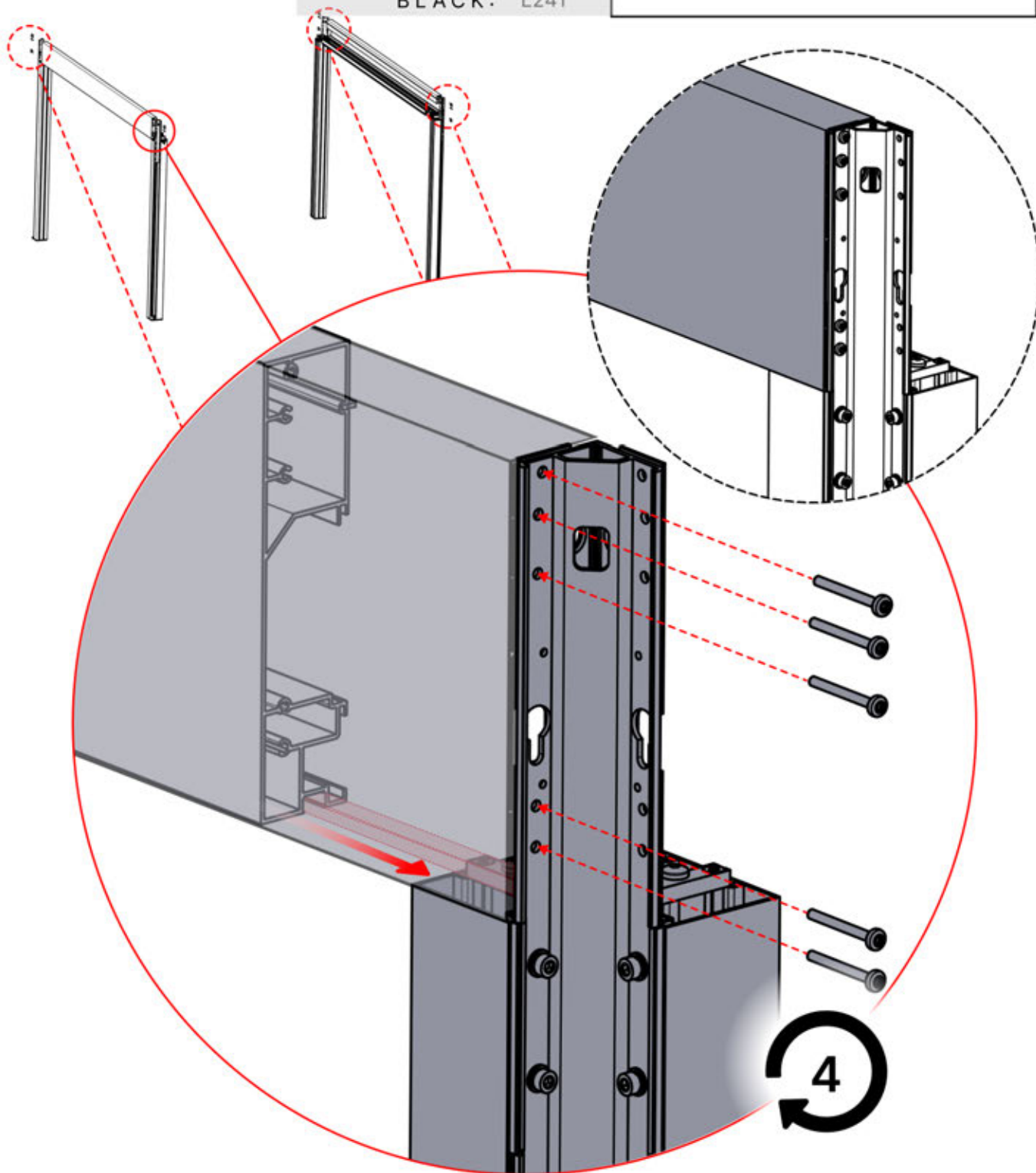
6

x1
PERGOLUX

ANTHRACITE: L239
WHITE: L243
BLACK: L241

PN-200003529
2x

PN-200002311
20x



05

2

x1
PERGOLUX

ANTHRACITE: B285
WHITE: B289
BLACK: B293

6

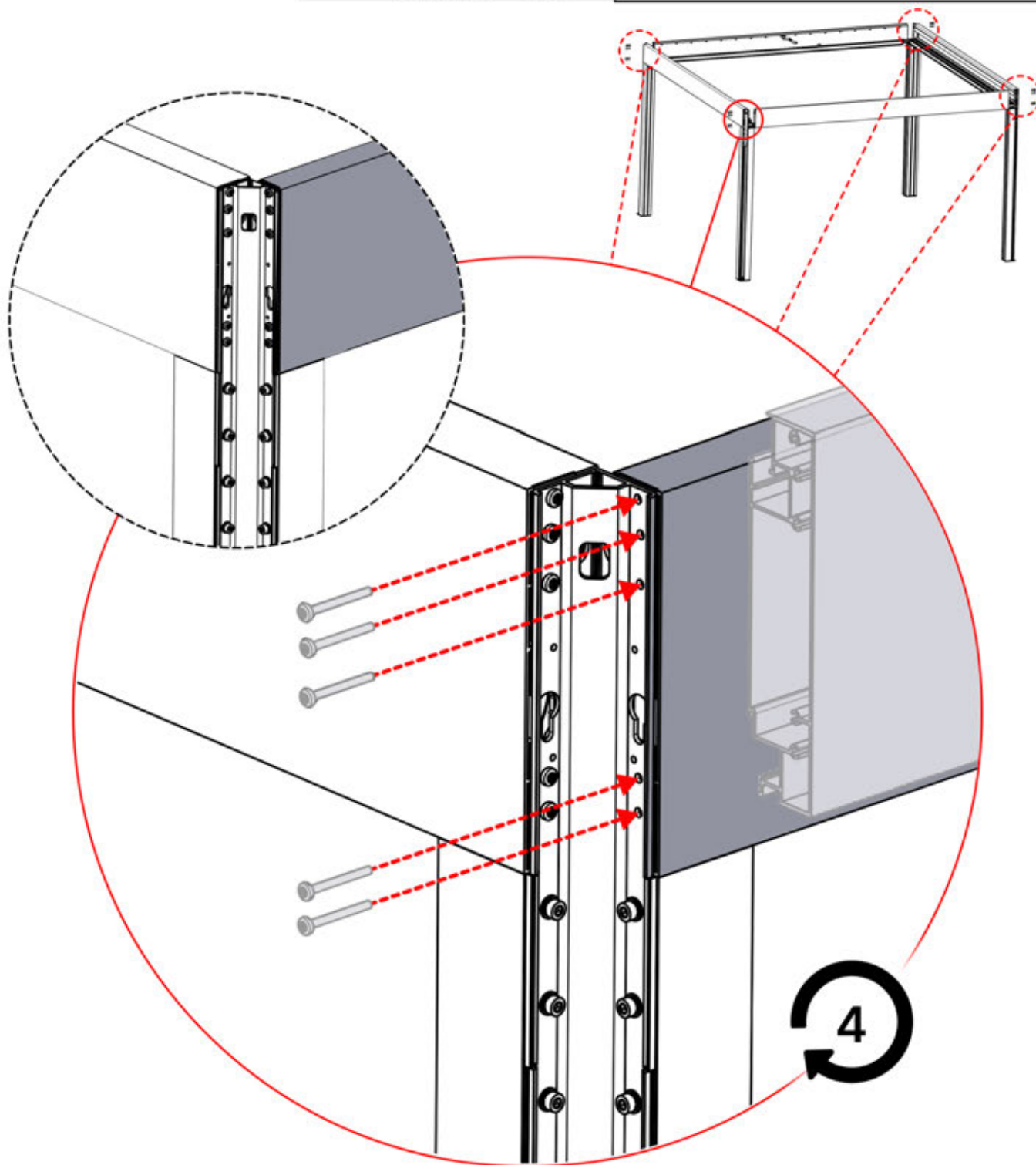
x1
PERGOLUX

ANTHRACITE: L239
WHITE: L243
BLACK: L241


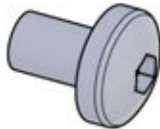
PN-200003503
1x

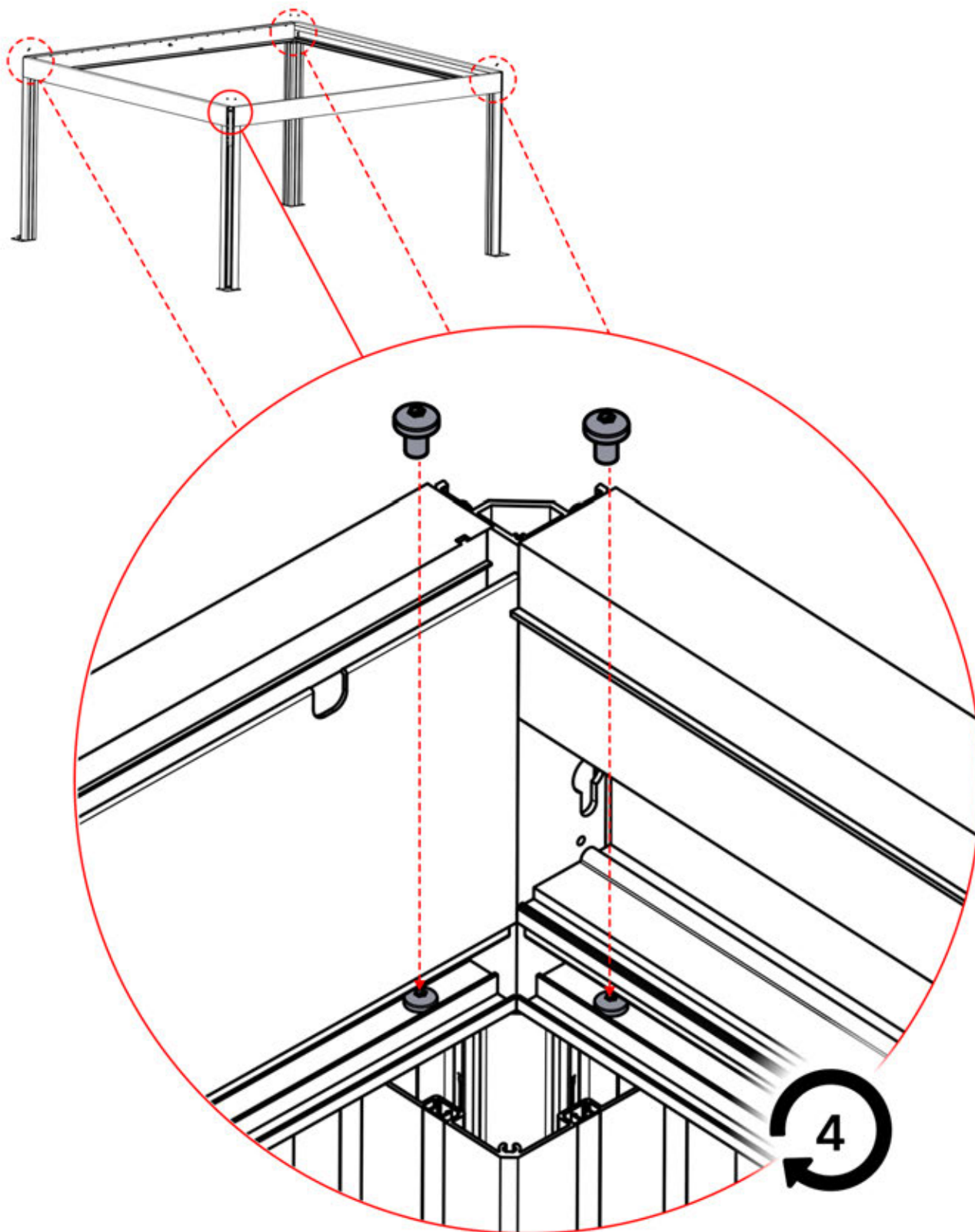
PN-200003507
1x

PN-200002311
20x



06

	6		PN-20000655
ANTHRACITE: L239			8X
WHITE: L243			
BLACK: L241			

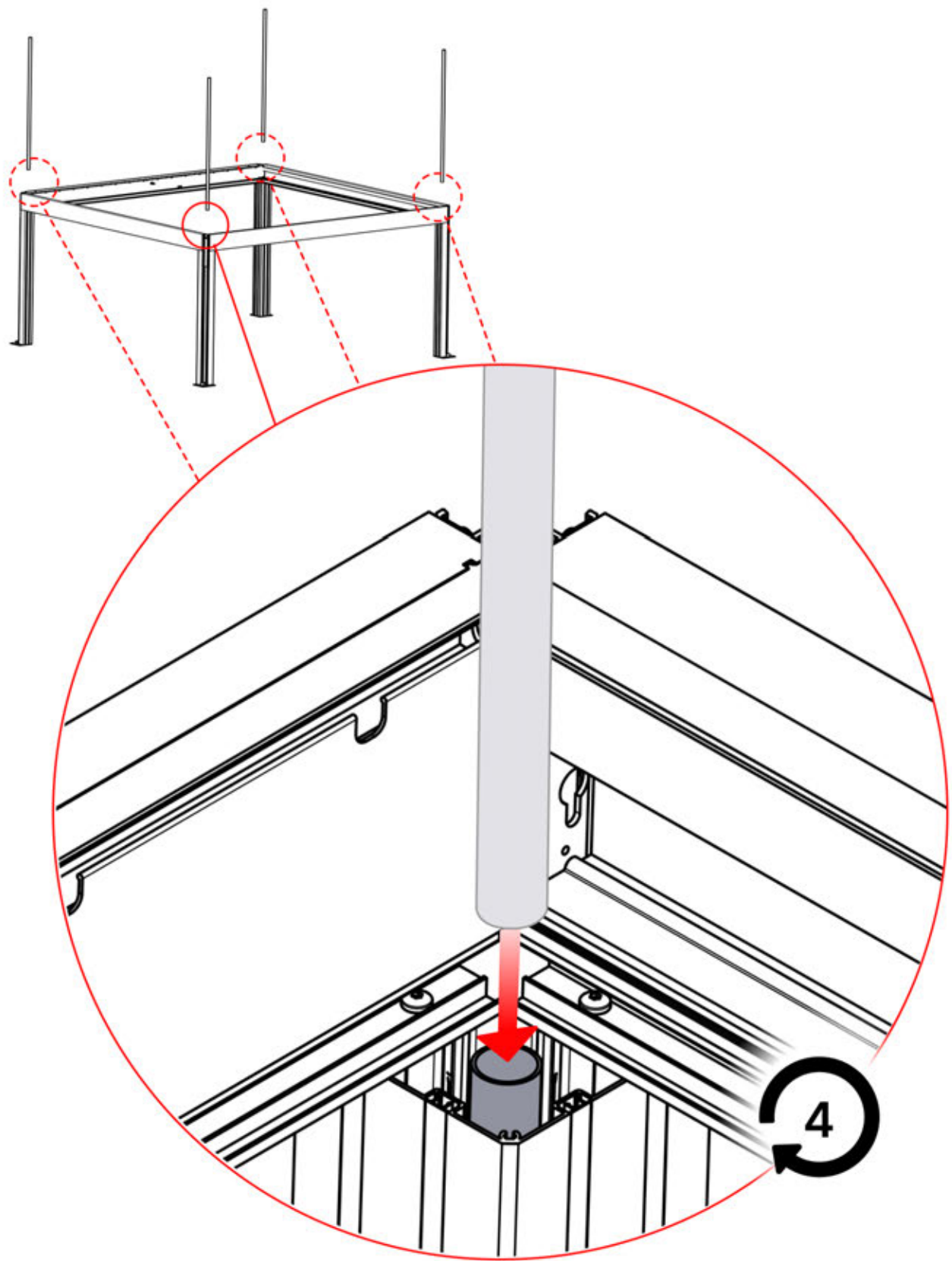
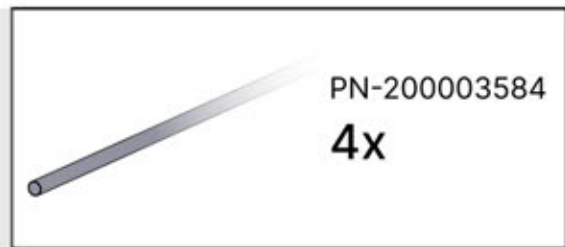


07



1

ANTHRACITE: C126
WHITE: C127
BLACK: C128



08

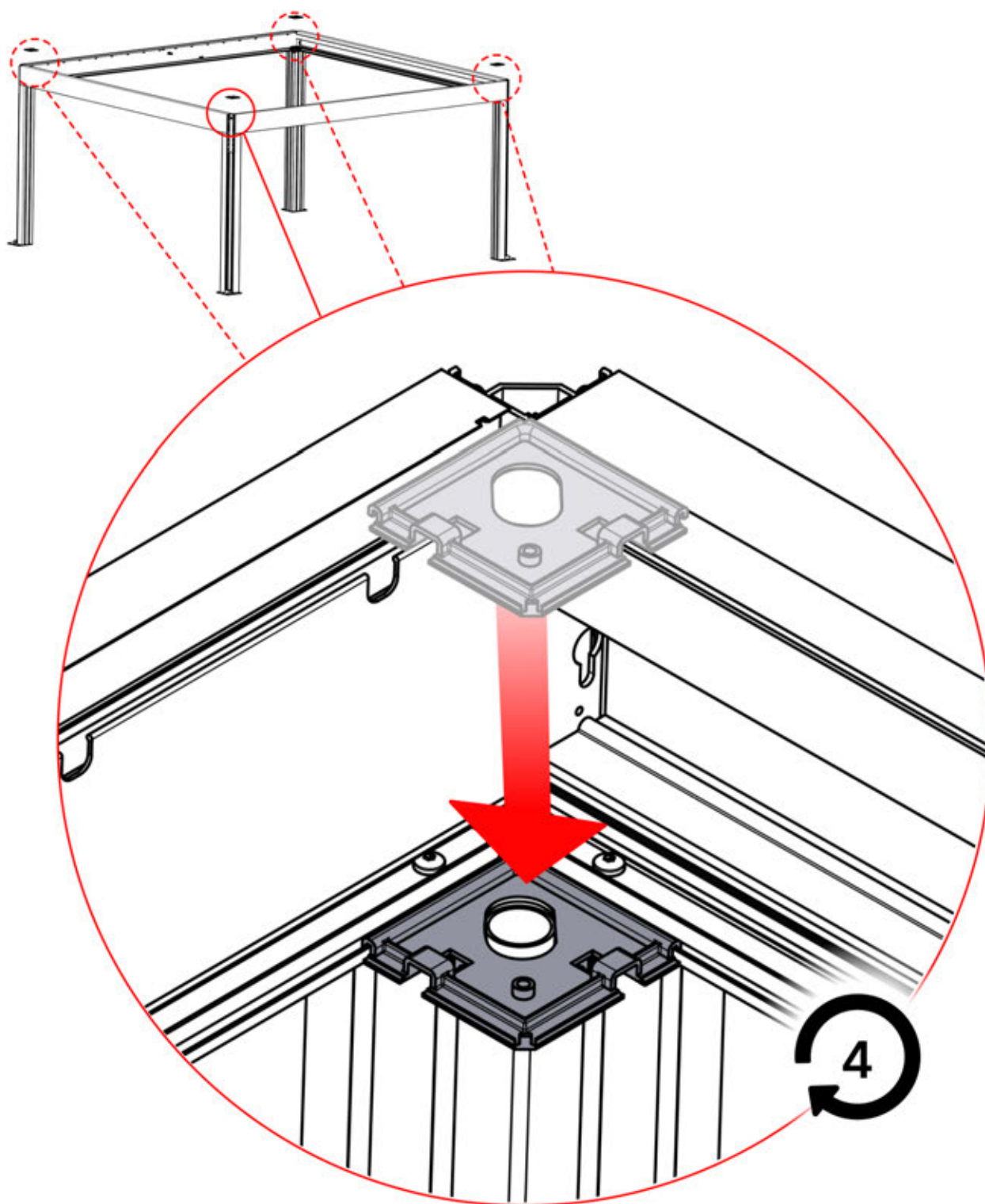
x1
PERGOLUX

6

ANTHRACITE: L239
WHITE: L243
BLACK: L241



PN-200002284
4x



09



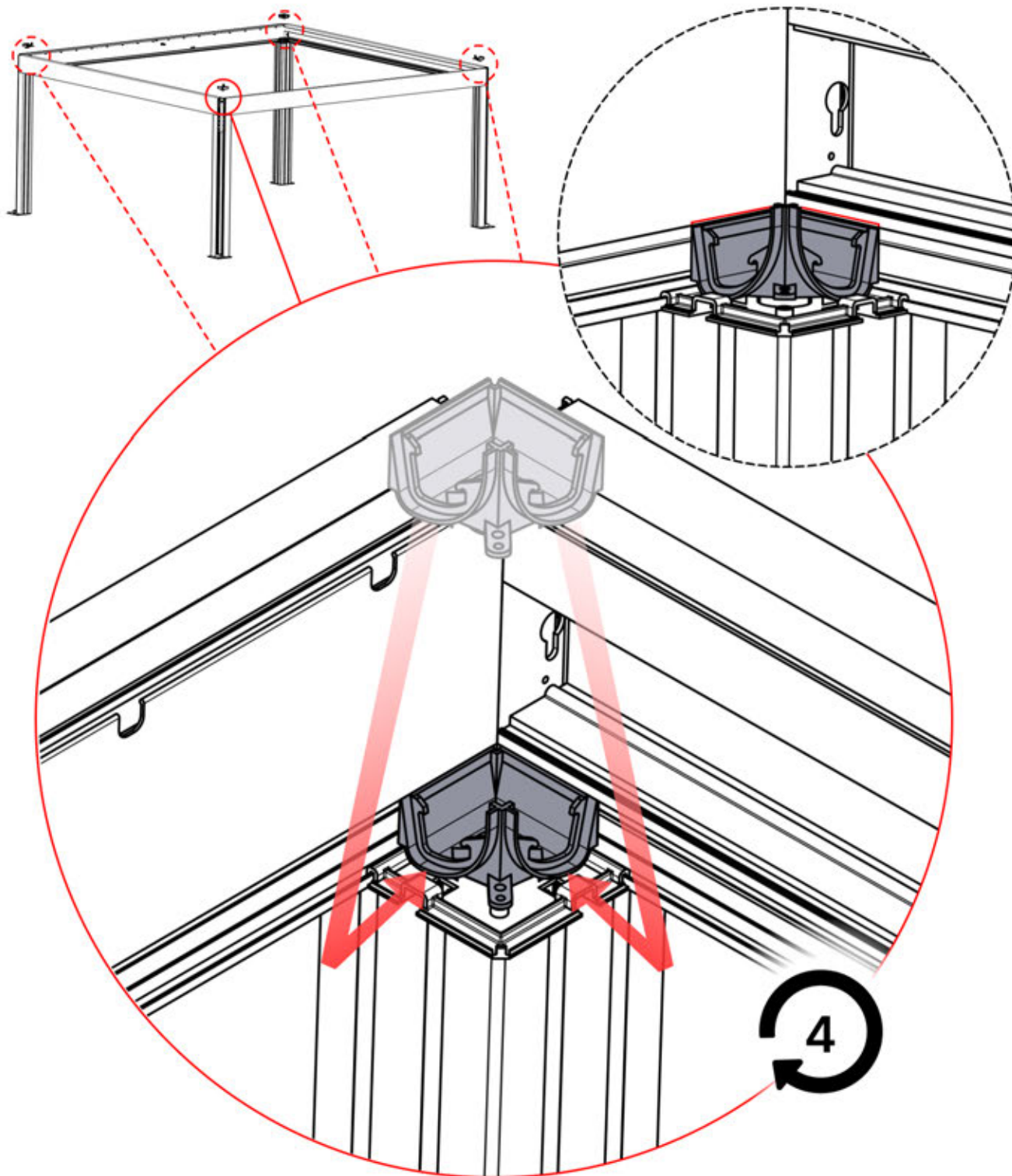
6

ANTHRACITE: L239
WHITE: L243
BLACK: L241



PN-200002298

4x



10



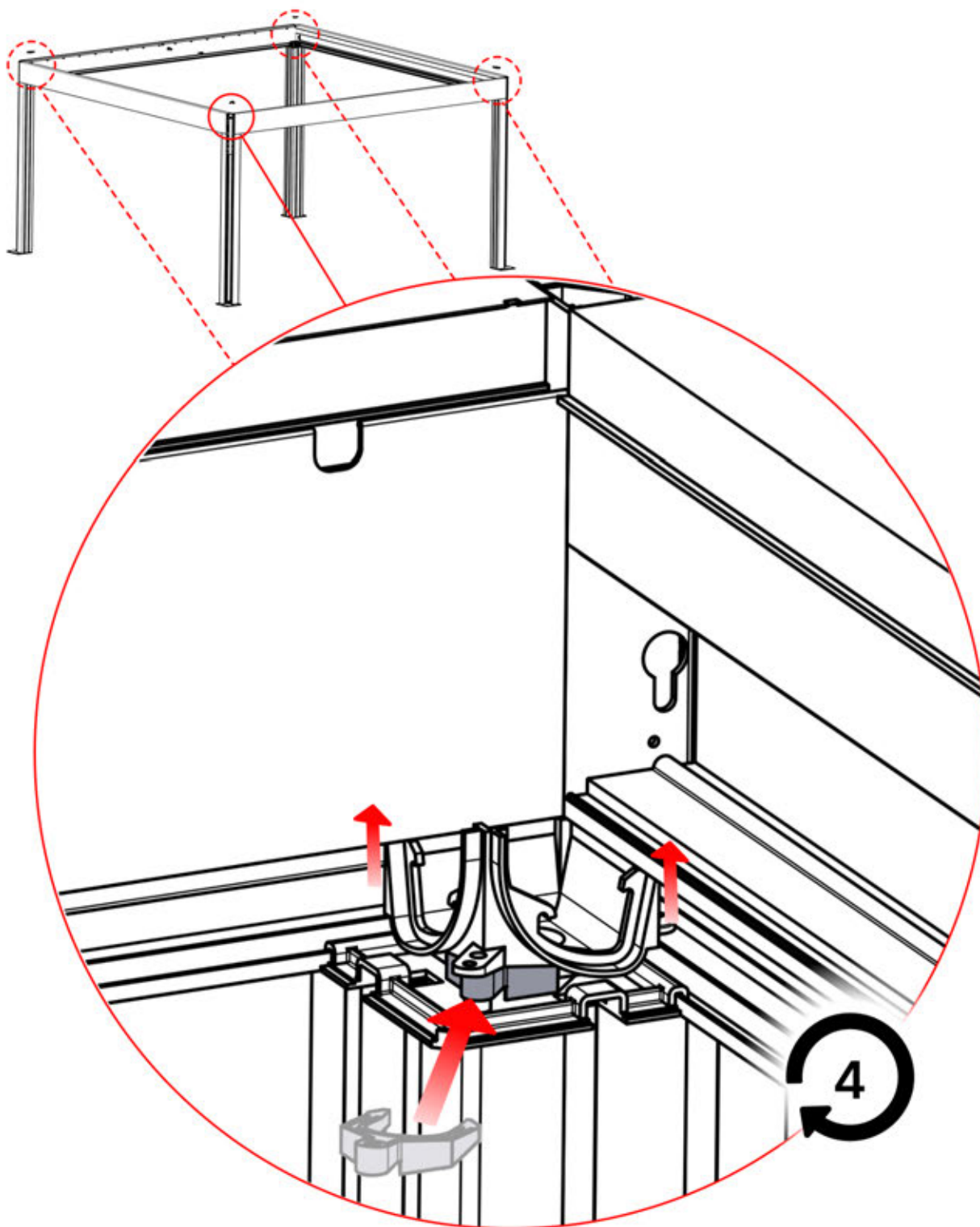
6

ANTHRACITE: L239
WHITE: L243
BLACK: L241



PN-200002282

4x



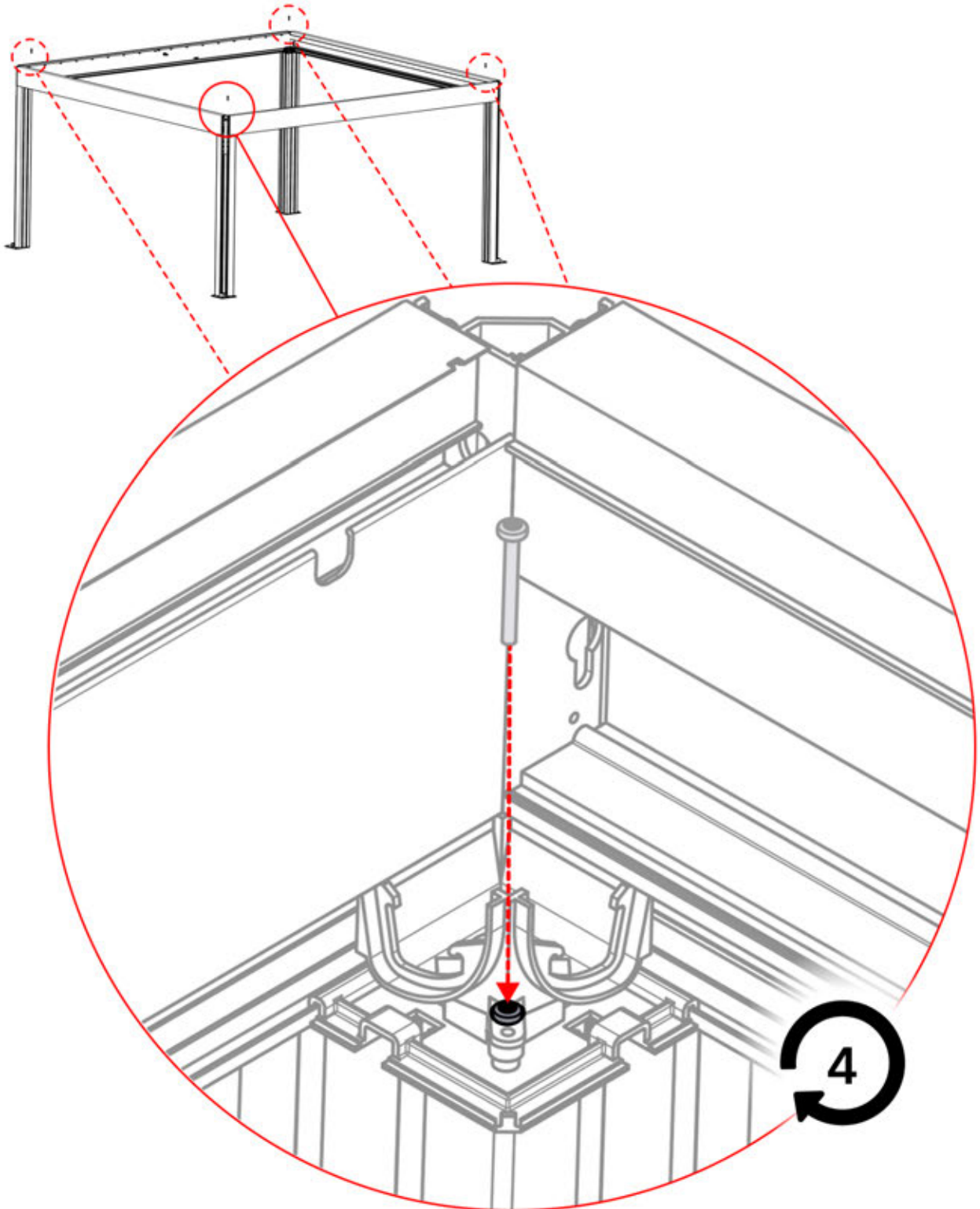

11

x7
PERGOLUX

6

ANTHRACITE: L239
WHITE: L243
BLACK: L241

PN-200002311
4x



12

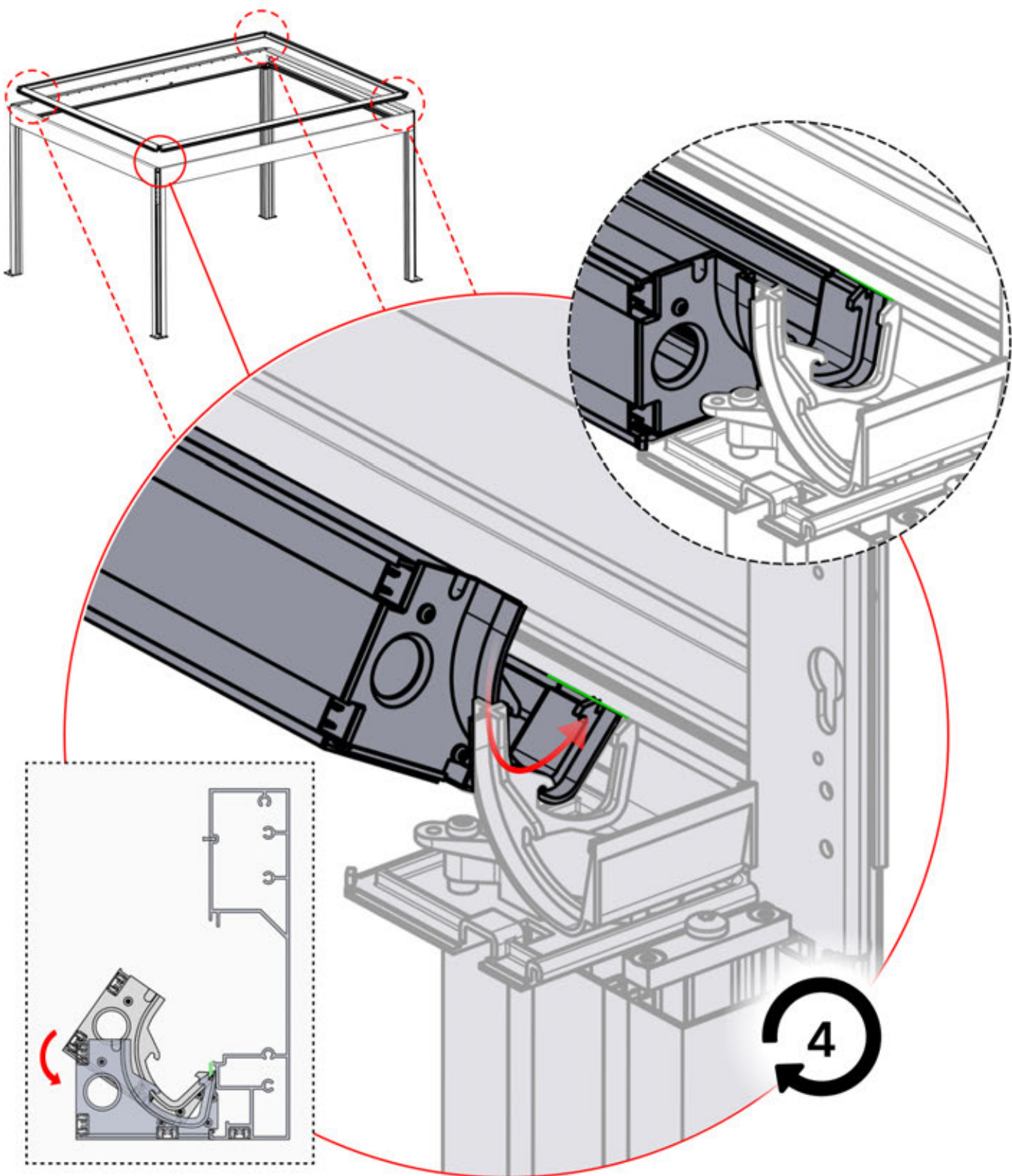
x1
PERGOLUX

2

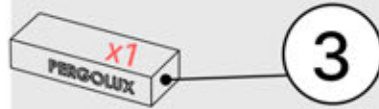
ANTHRACITE: B285
WHITE: B289
BLACK: B293

PN-200002486

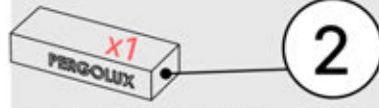
4x



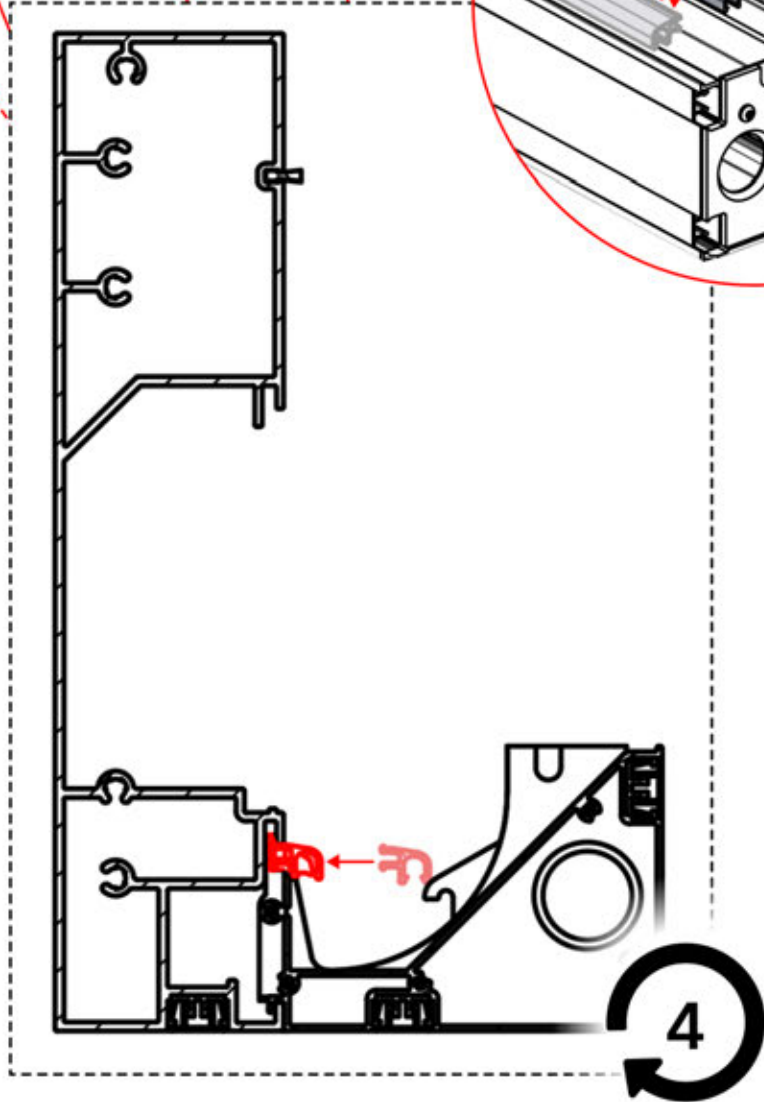
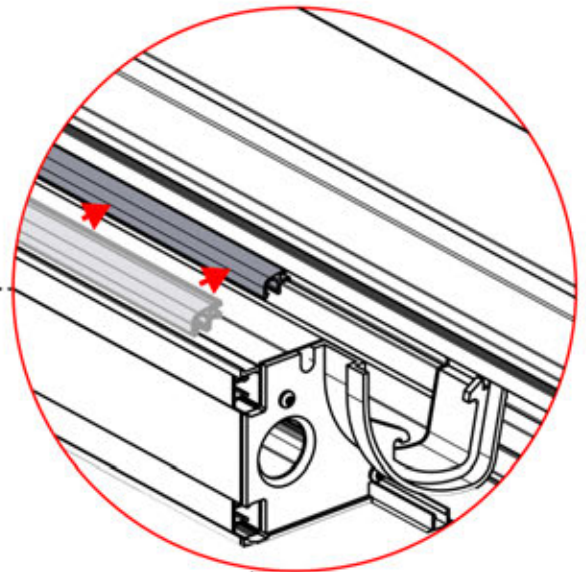
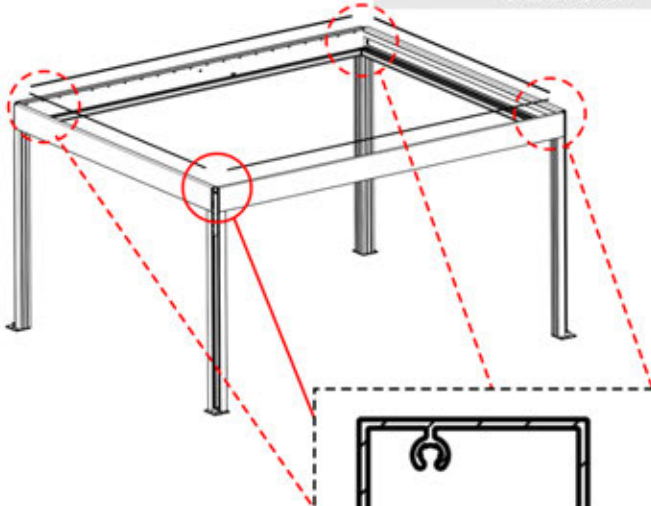
13



ANTHRACITE: B307
WHITE: B309
BLACK: B311



ANTHRACITE: B285
WHITE: B289
BLACK: B293



INFORMATION



Apply grease to part



6

ANTHRACITE: L239
WHITE: L243
BLACK: L241



PN-200003051

8x



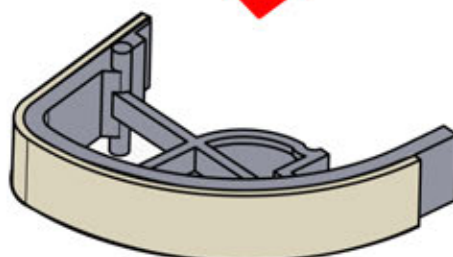
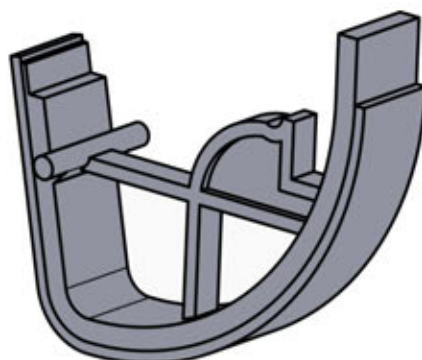
PN-200003049

8x



PN-200003050

8x



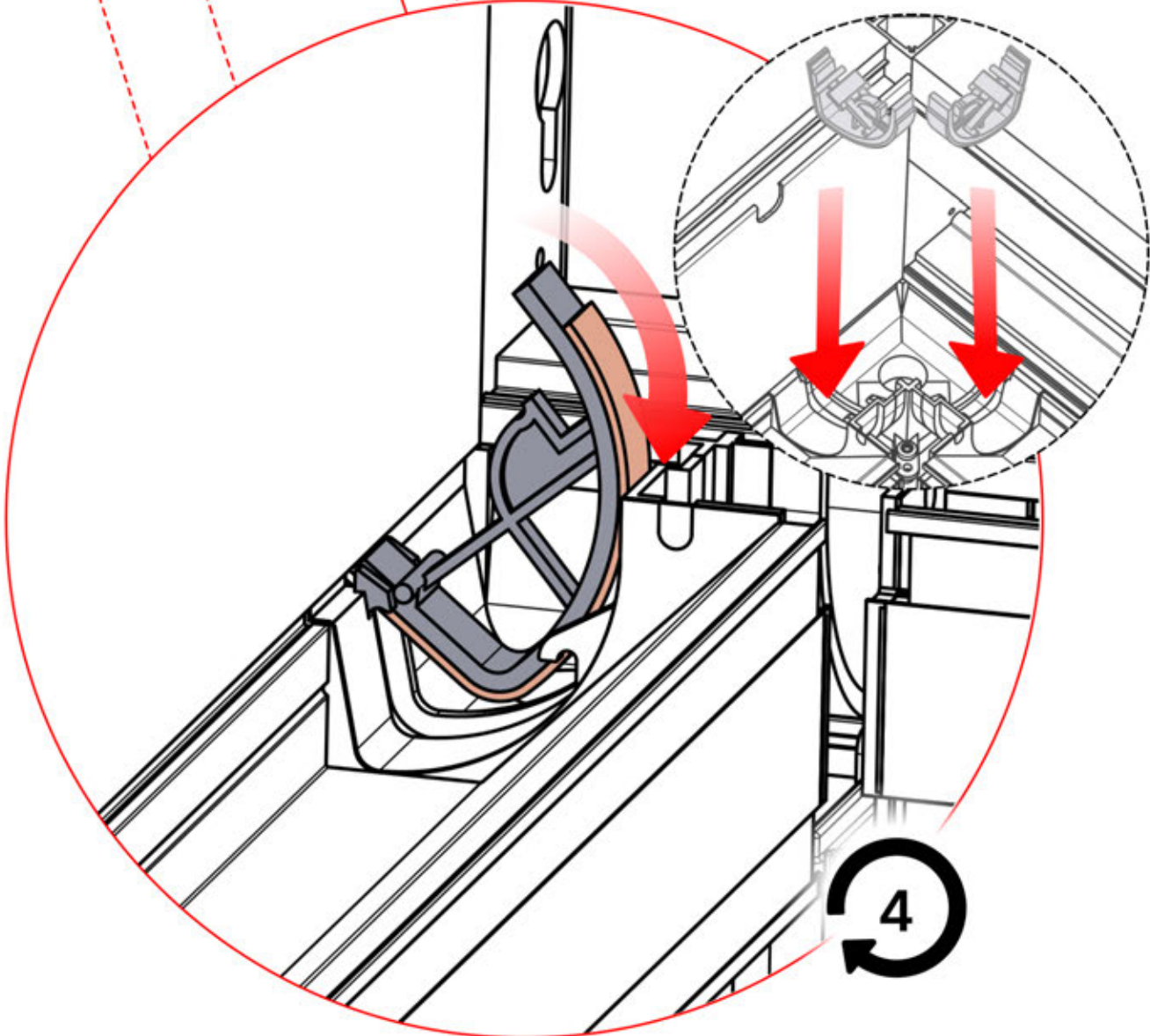
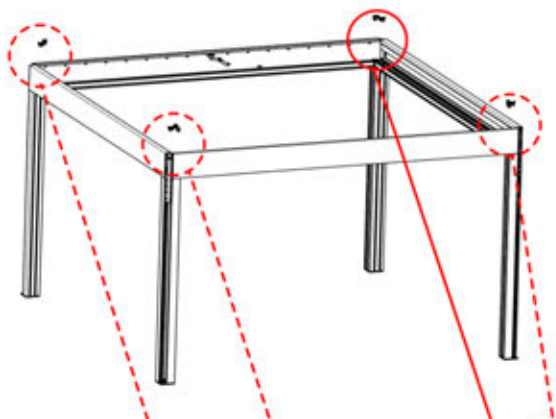
14



6

ANTHRACITE: L239
WHITE: L243
BLACK: L241

	PN-200003051 8x
	PN-200003049 8x
	PN-200003050 8x



15



6

ANTHRACITE: L239
WHITE: L243
BLACK: L241



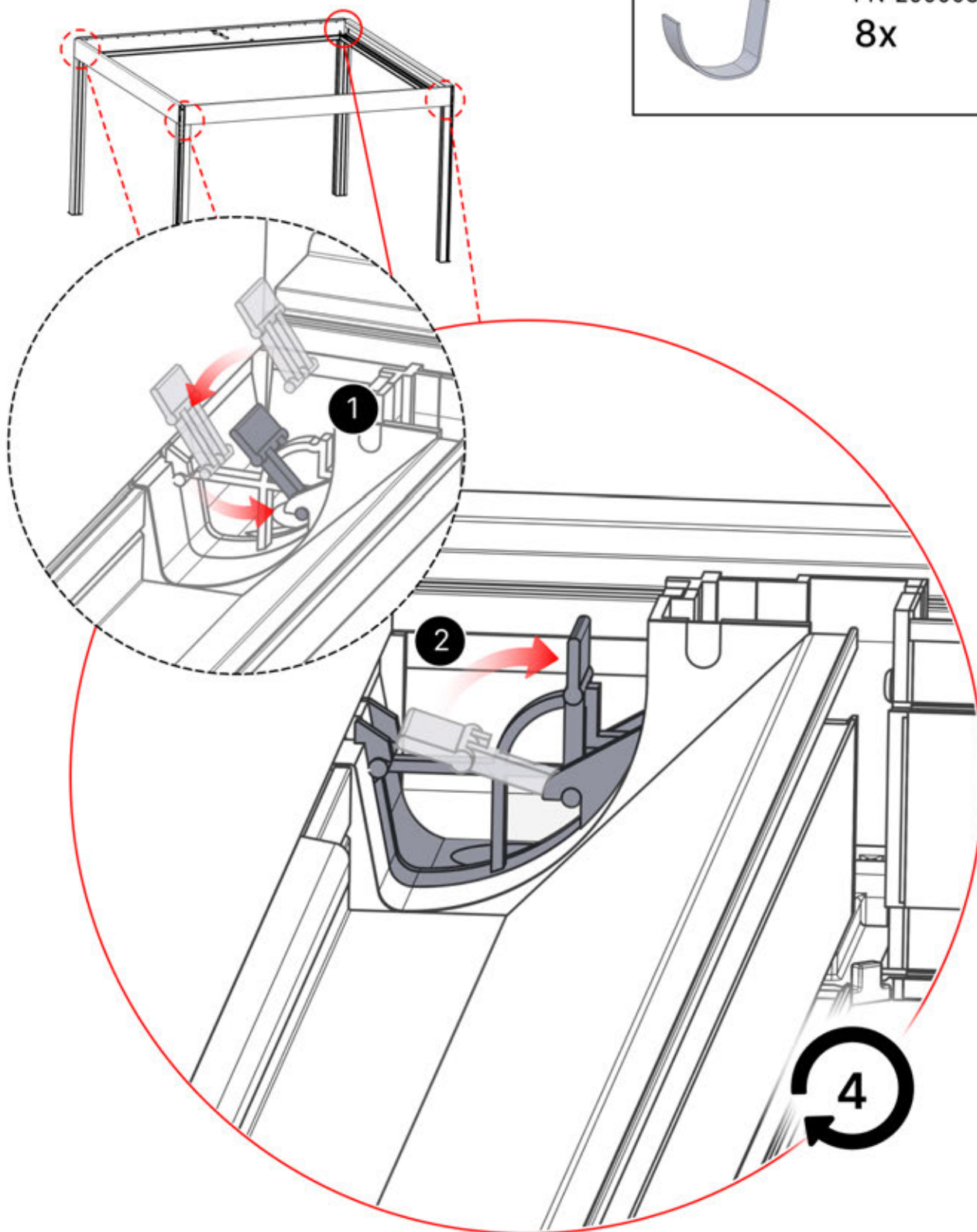
PN-200003051
8x



PN-200003049
8x



PN-200003050
8x





16

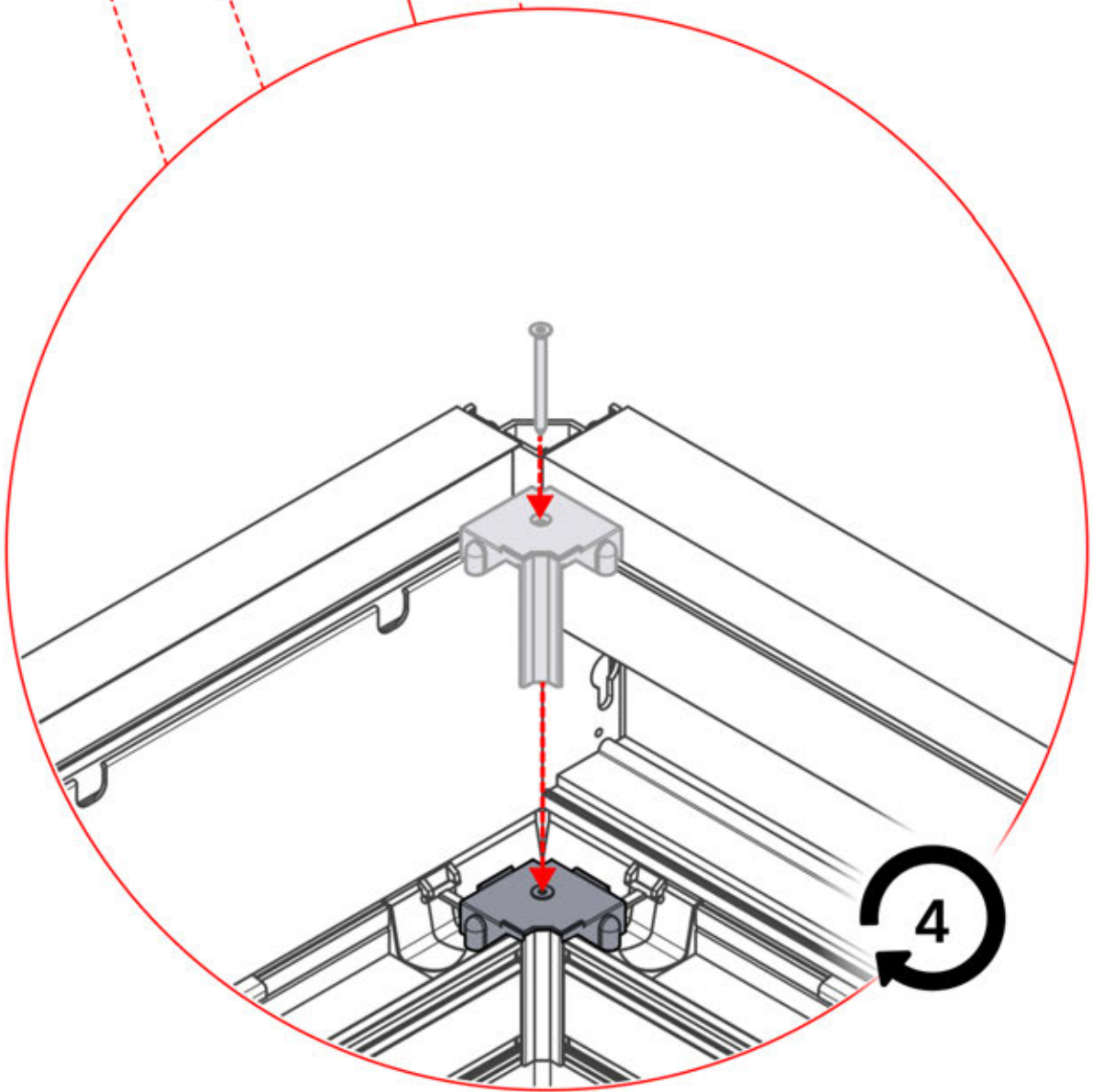
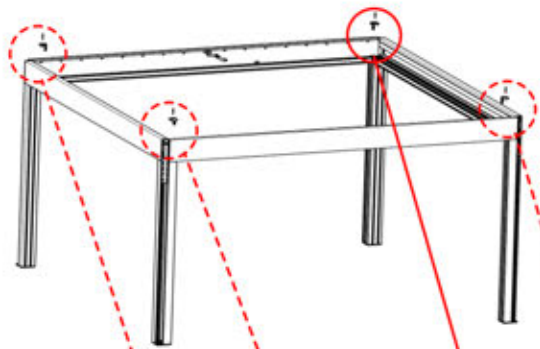
x7
PERGOLUX

6

ANTHRACITE: L239
WHITE: L243
BLACK: L241

 PN-200002289
4x

 5.5 x 70
PN-200000958
4x



17

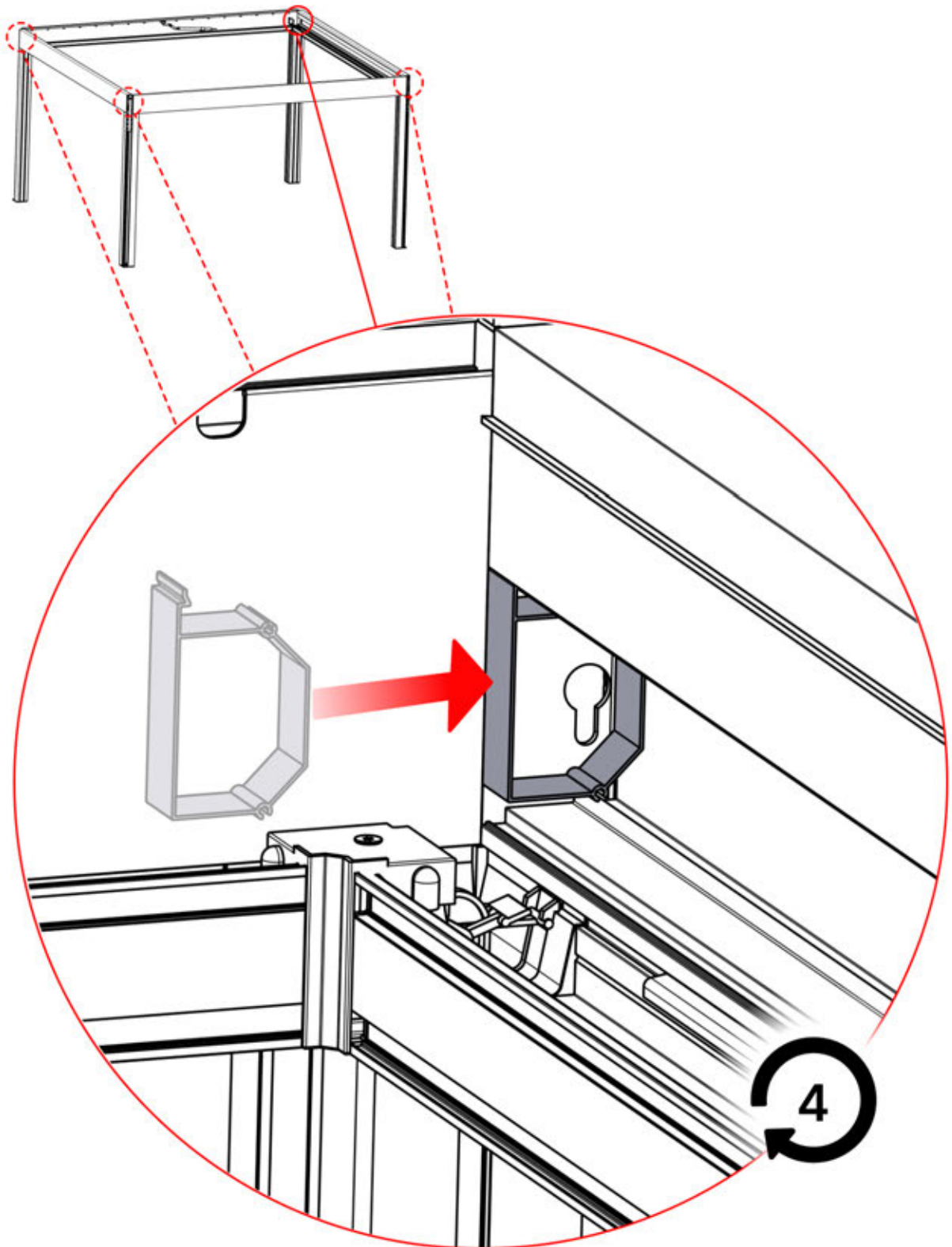


6

ANTHRACITE: L239
WHITE: L243
BLACK: L241



PN-200002329
4x




18

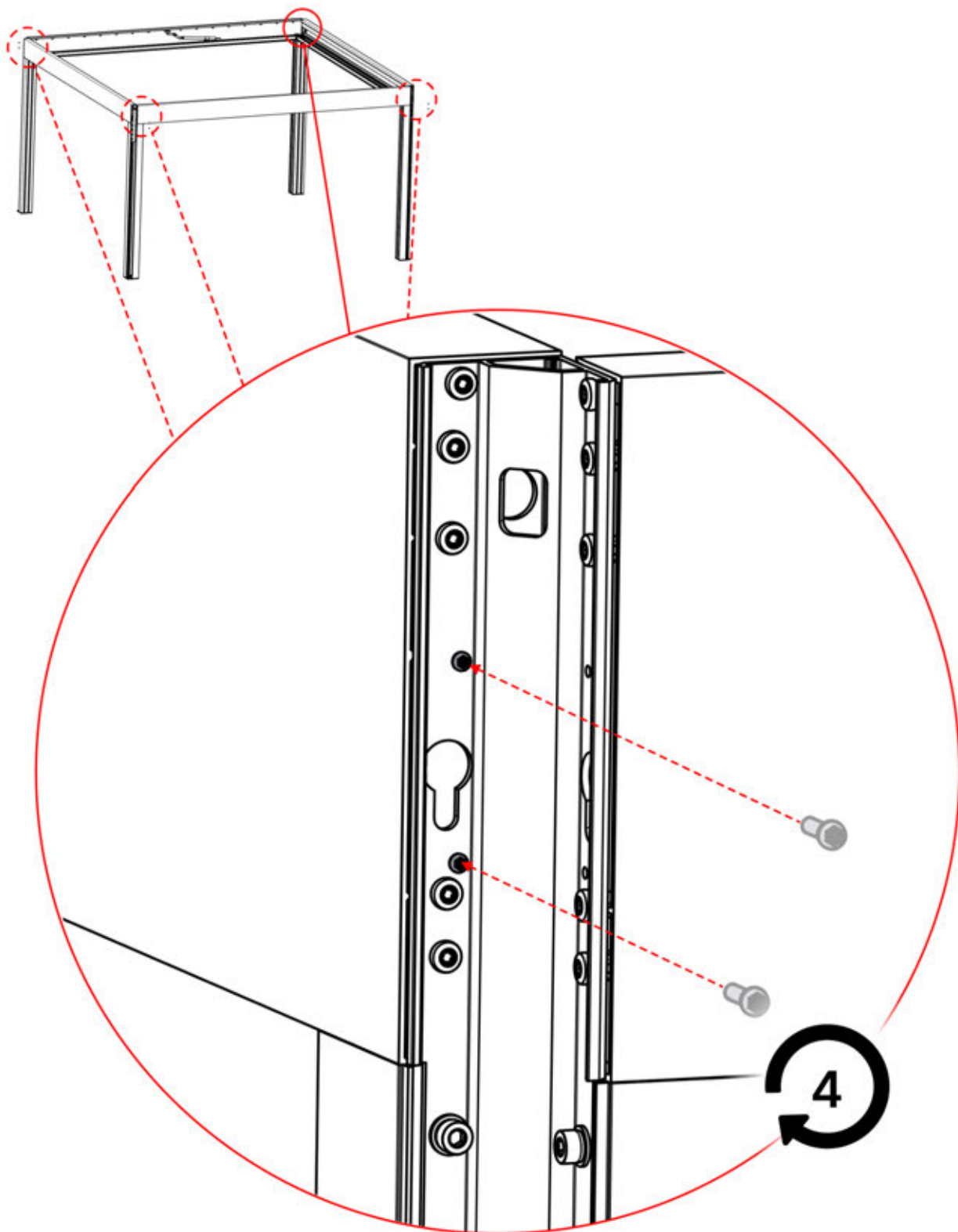
x7
PERGOLUX

6

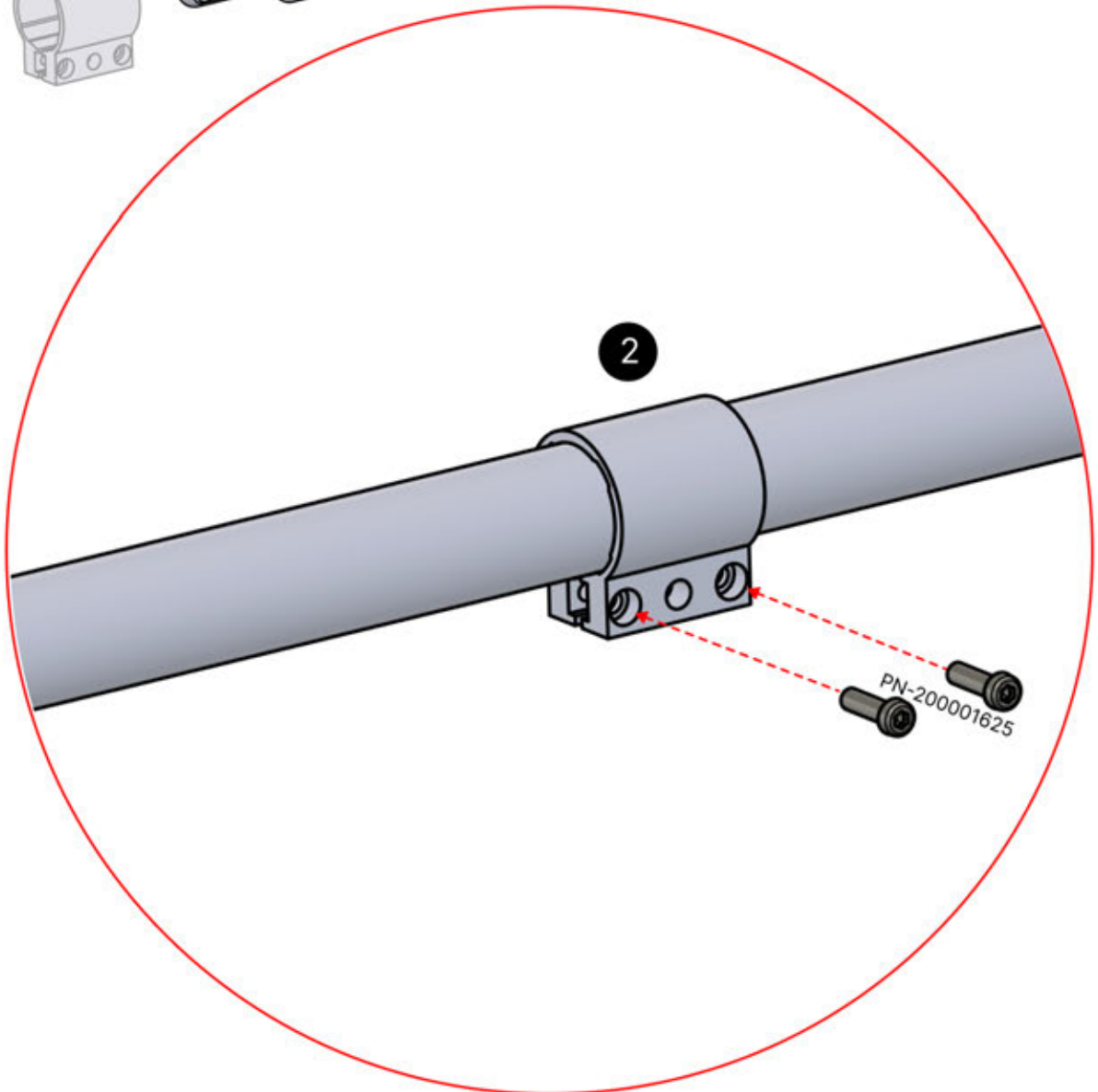
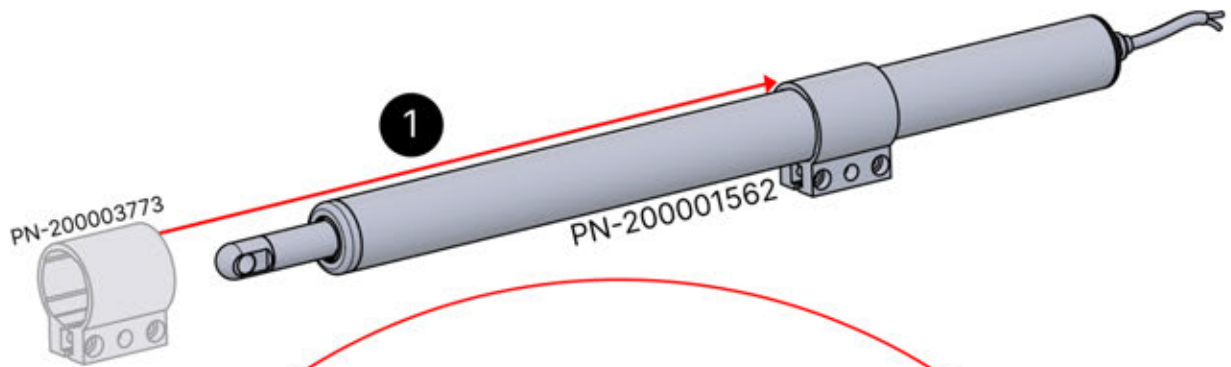
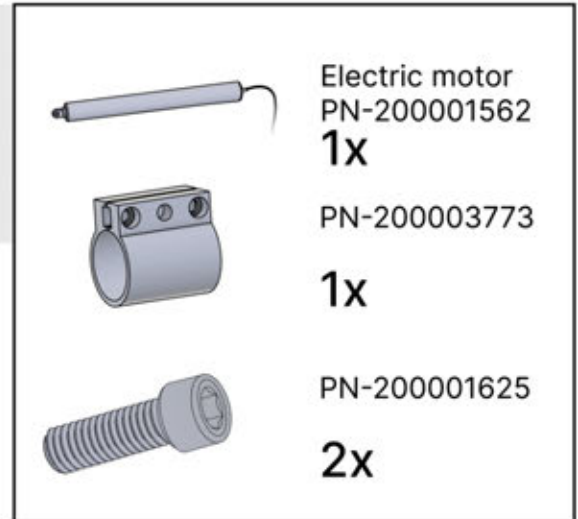
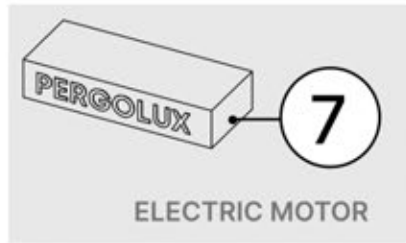
ANTHRACITE: L239
WHITE: L243
BLACK: L241



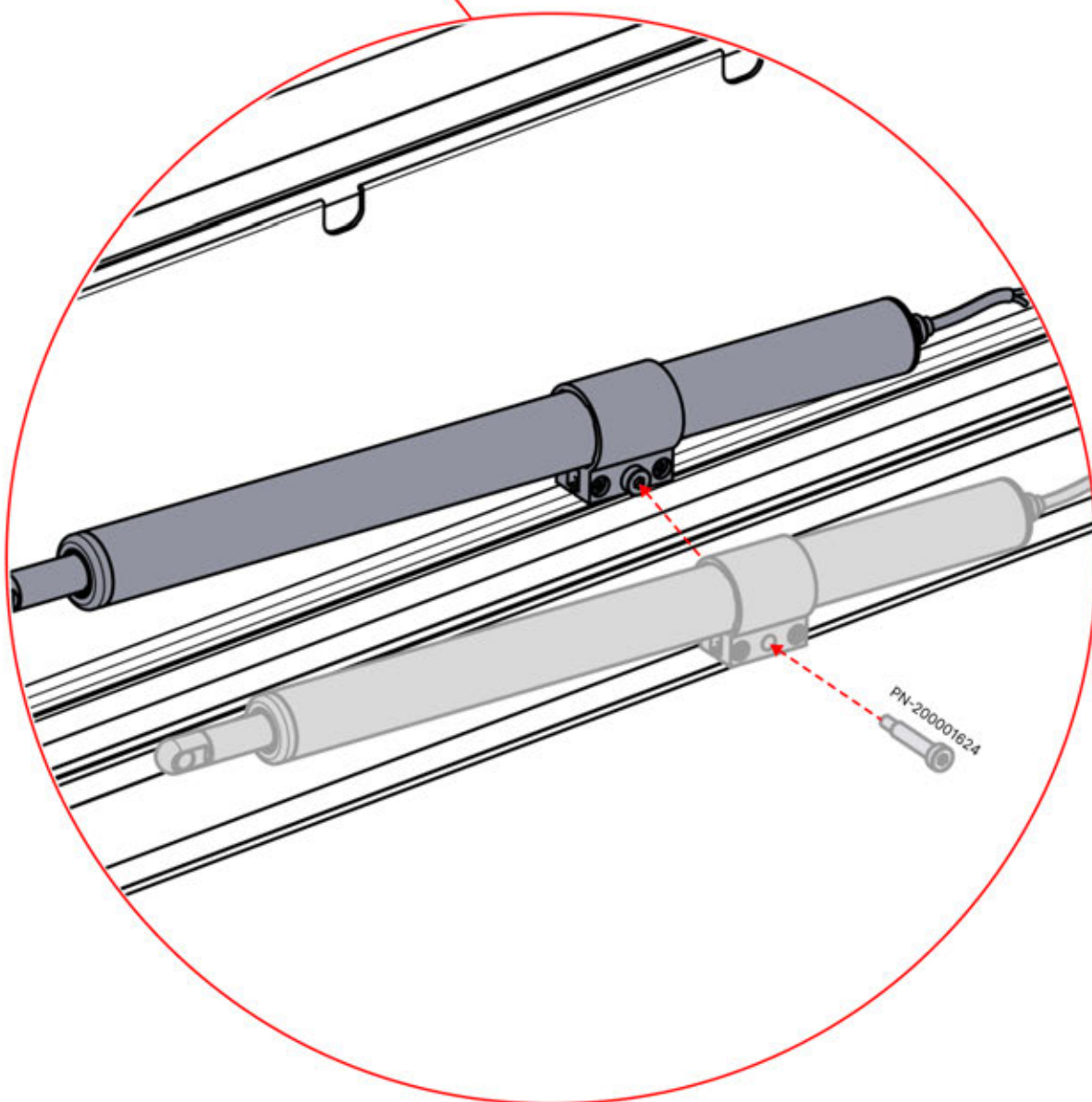
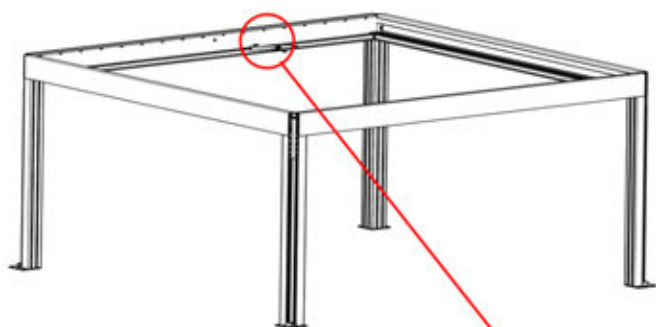
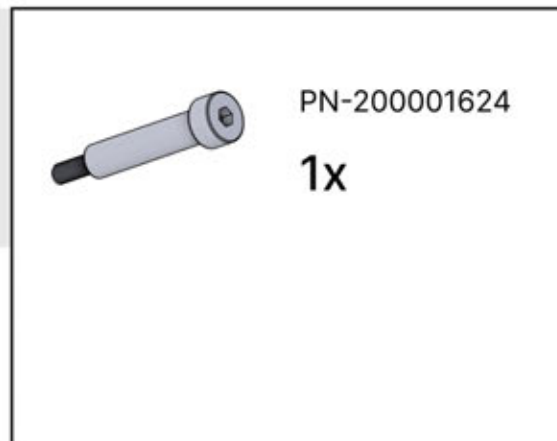
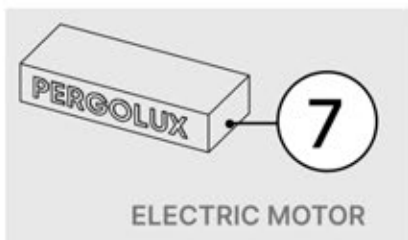
PN-200000852
8x












19

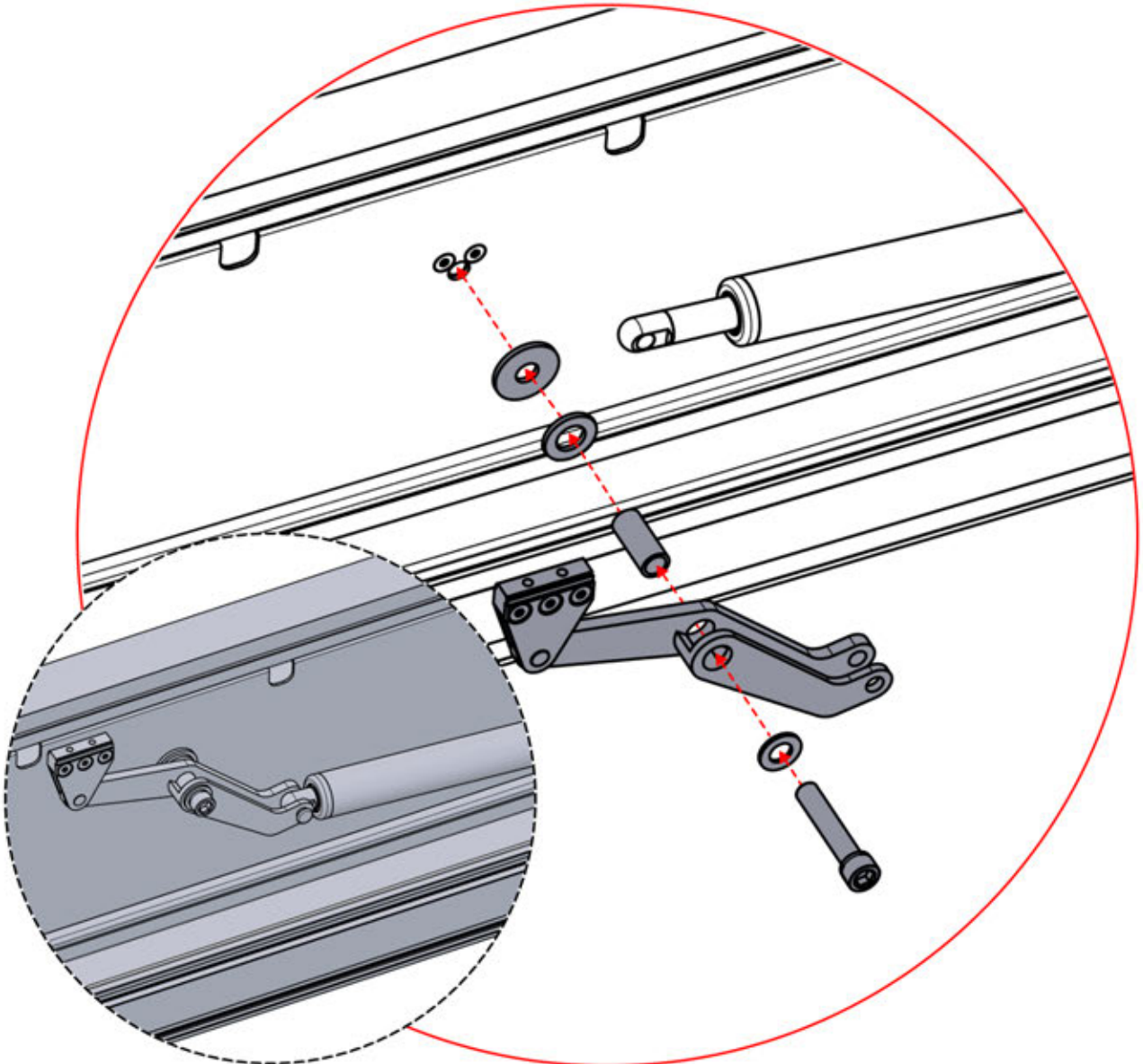


20

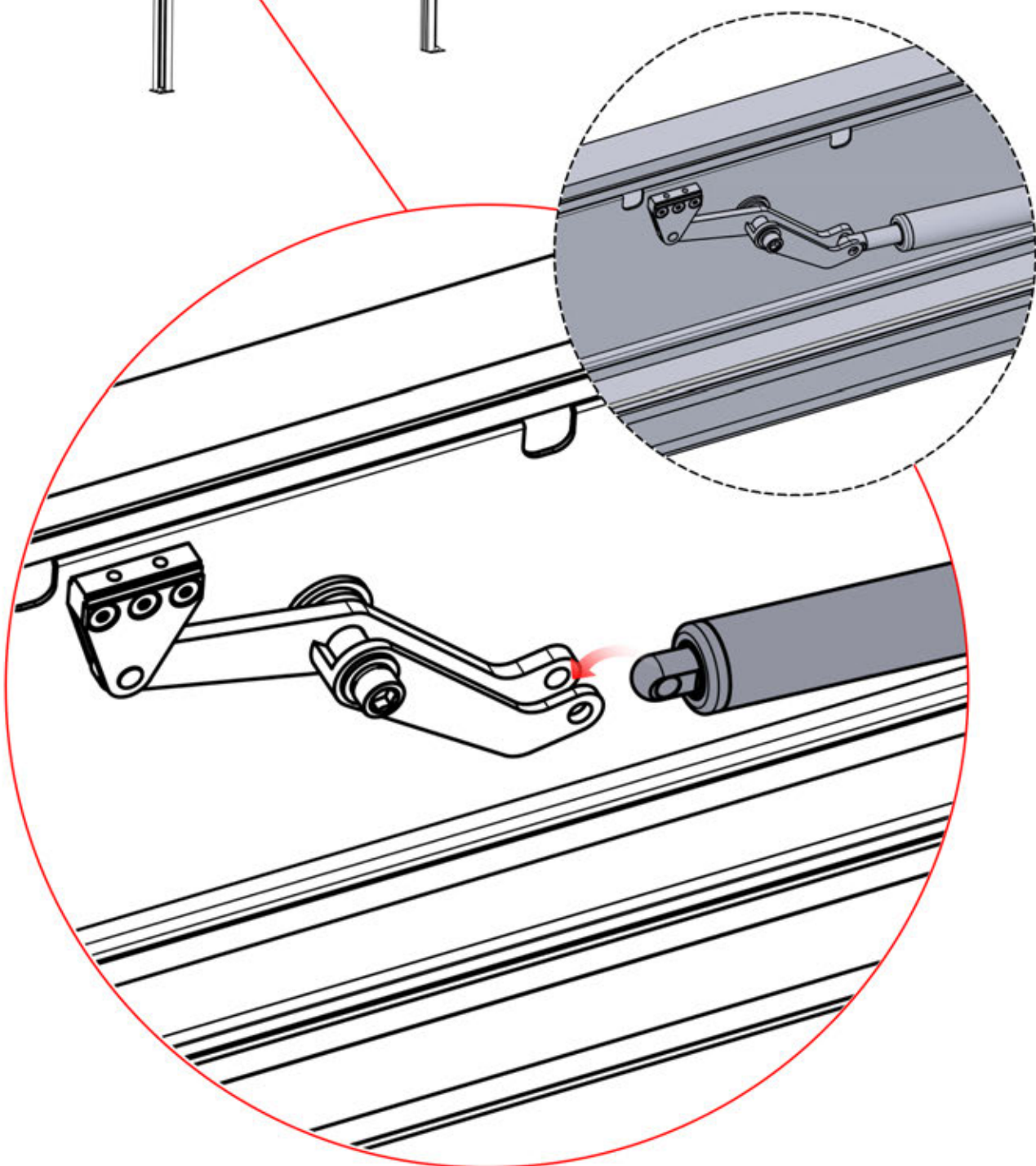
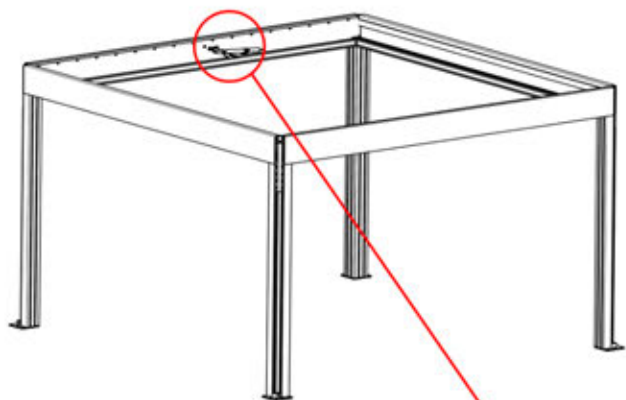


21

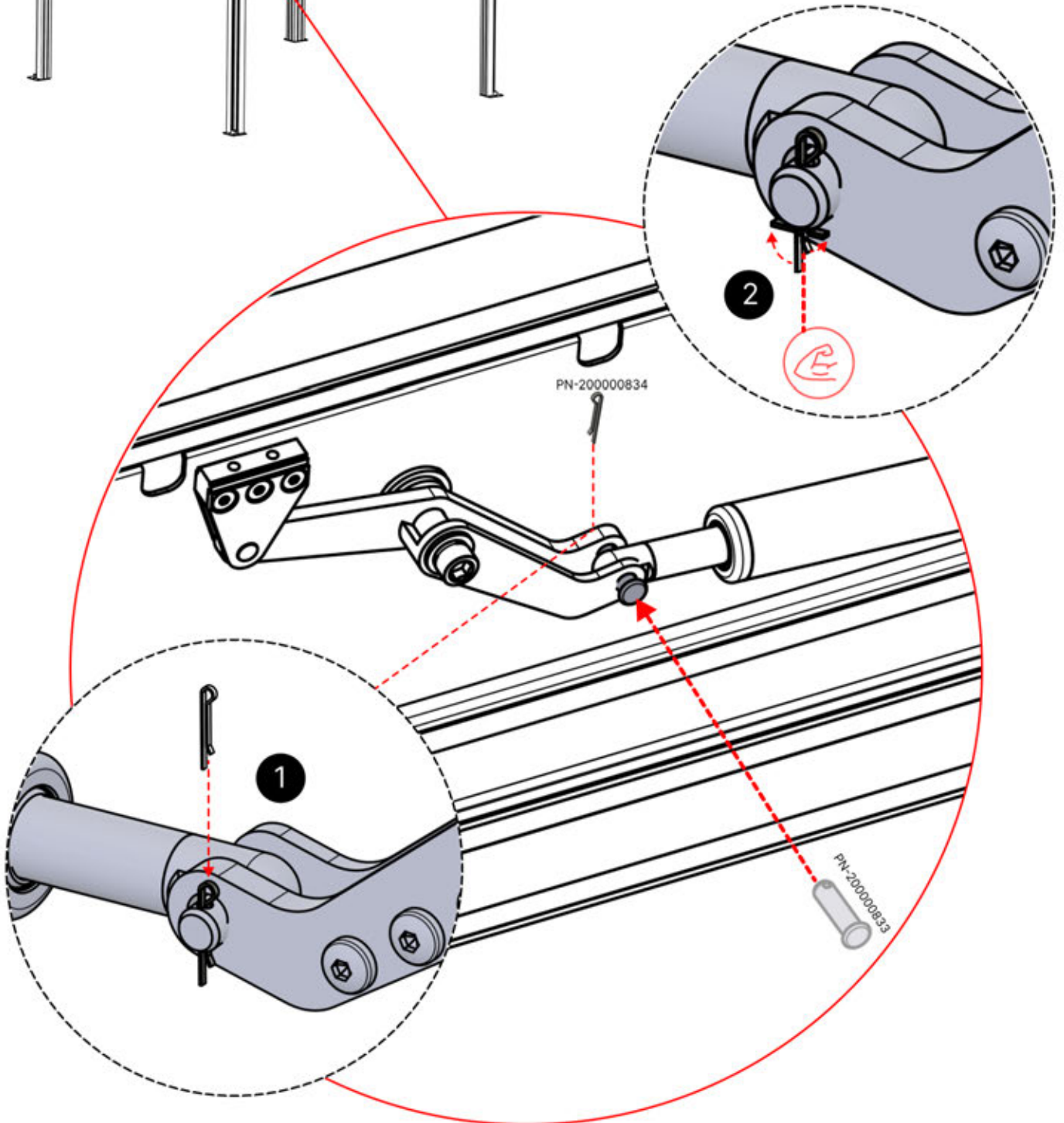
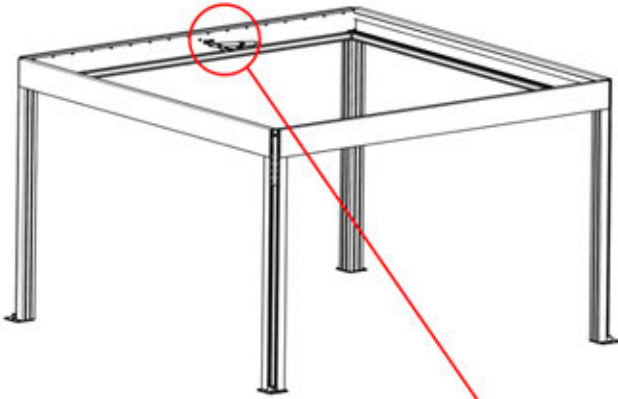
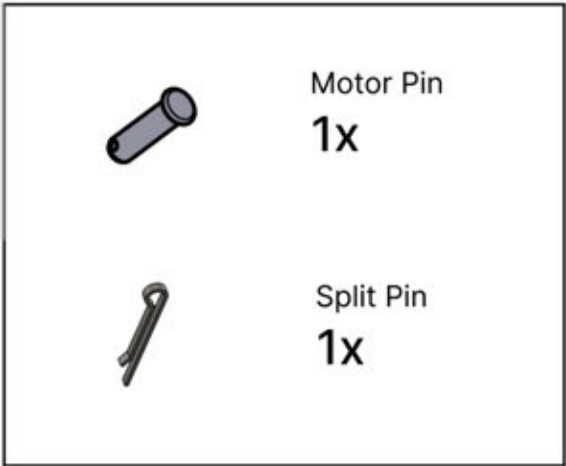
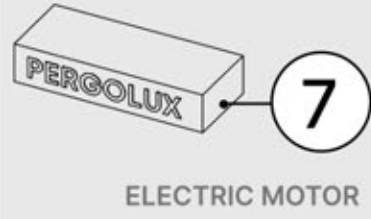
 6	 PN-200002326 1x
ANTHRACITE: L239 WHITE: L243 BLACK: L241	 PN-200002328 2x
 PN-200003500 1x	 PN-200002327 1x
 PN-200002330 1x	 PN-200002333 1x
 PN-200002324 1x	 PN-200002355 1x



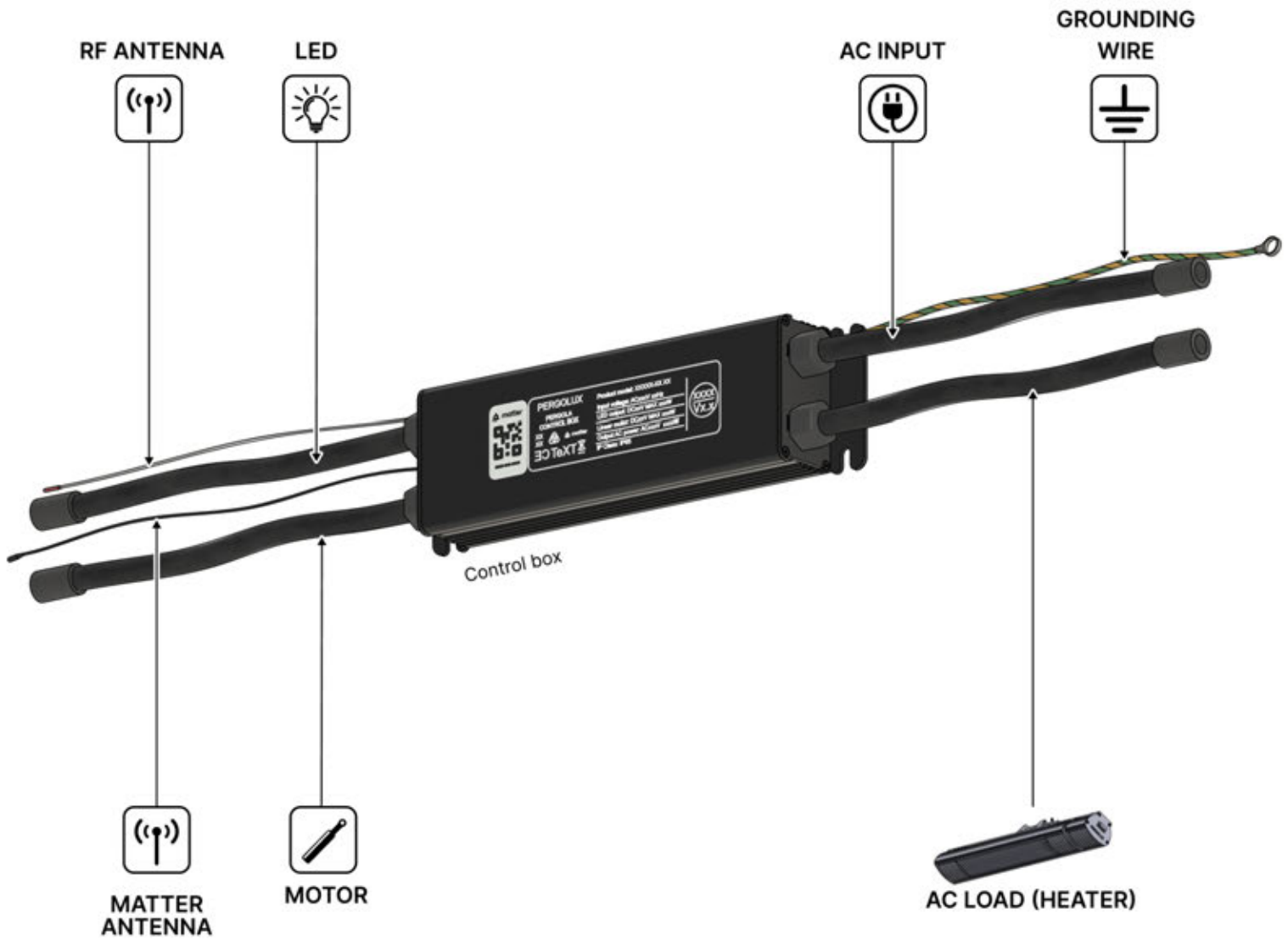
22



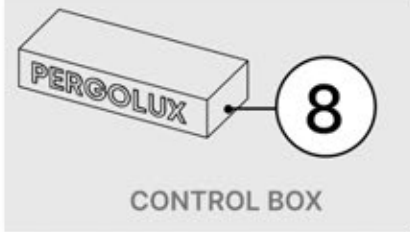
23



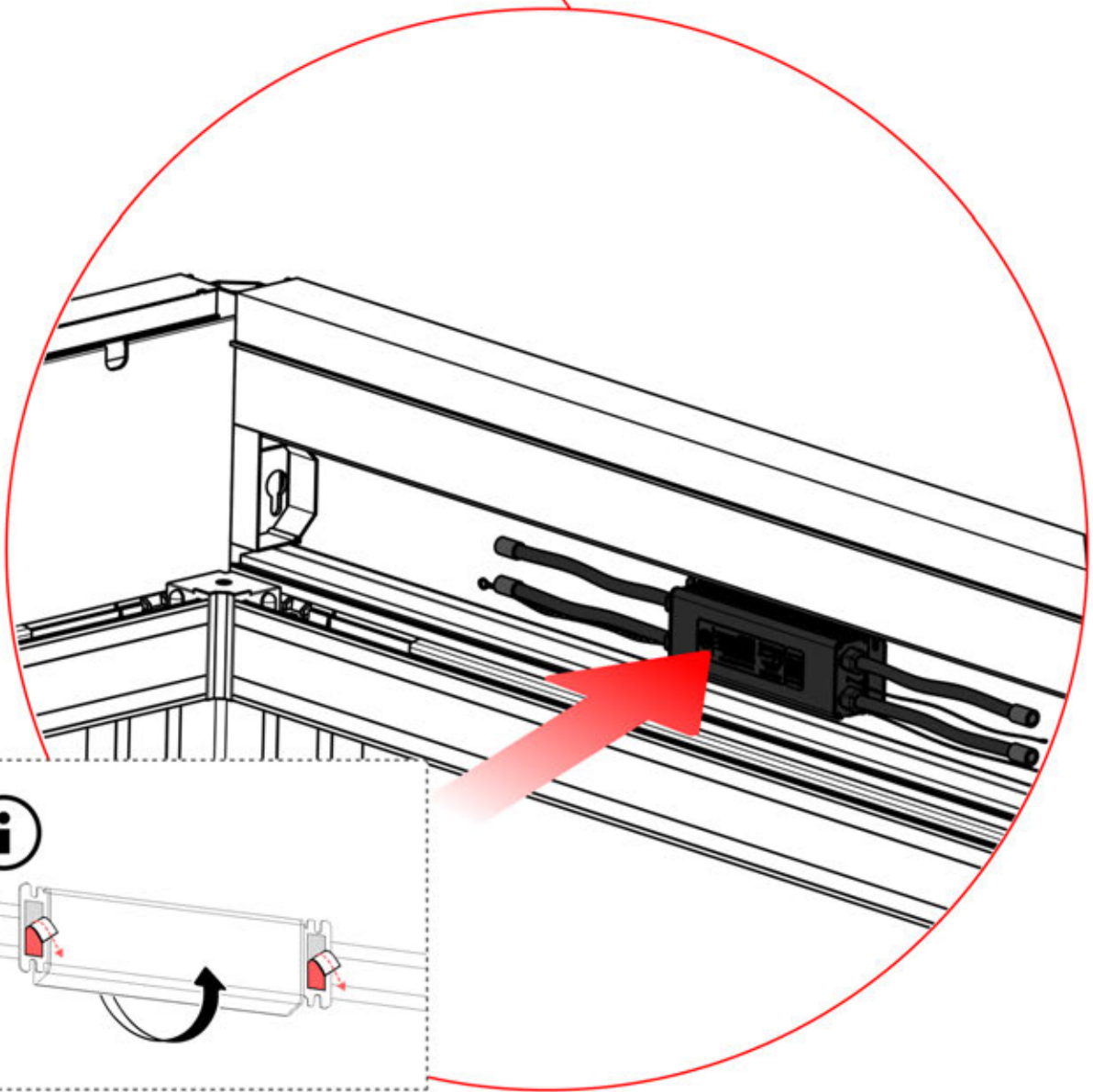
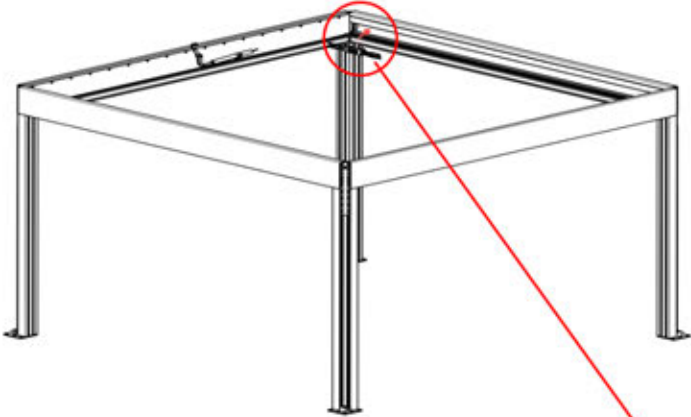
INPUTS AND OUTPUTS




24





!
Control Box can be
installed on
Preferred W BEAM

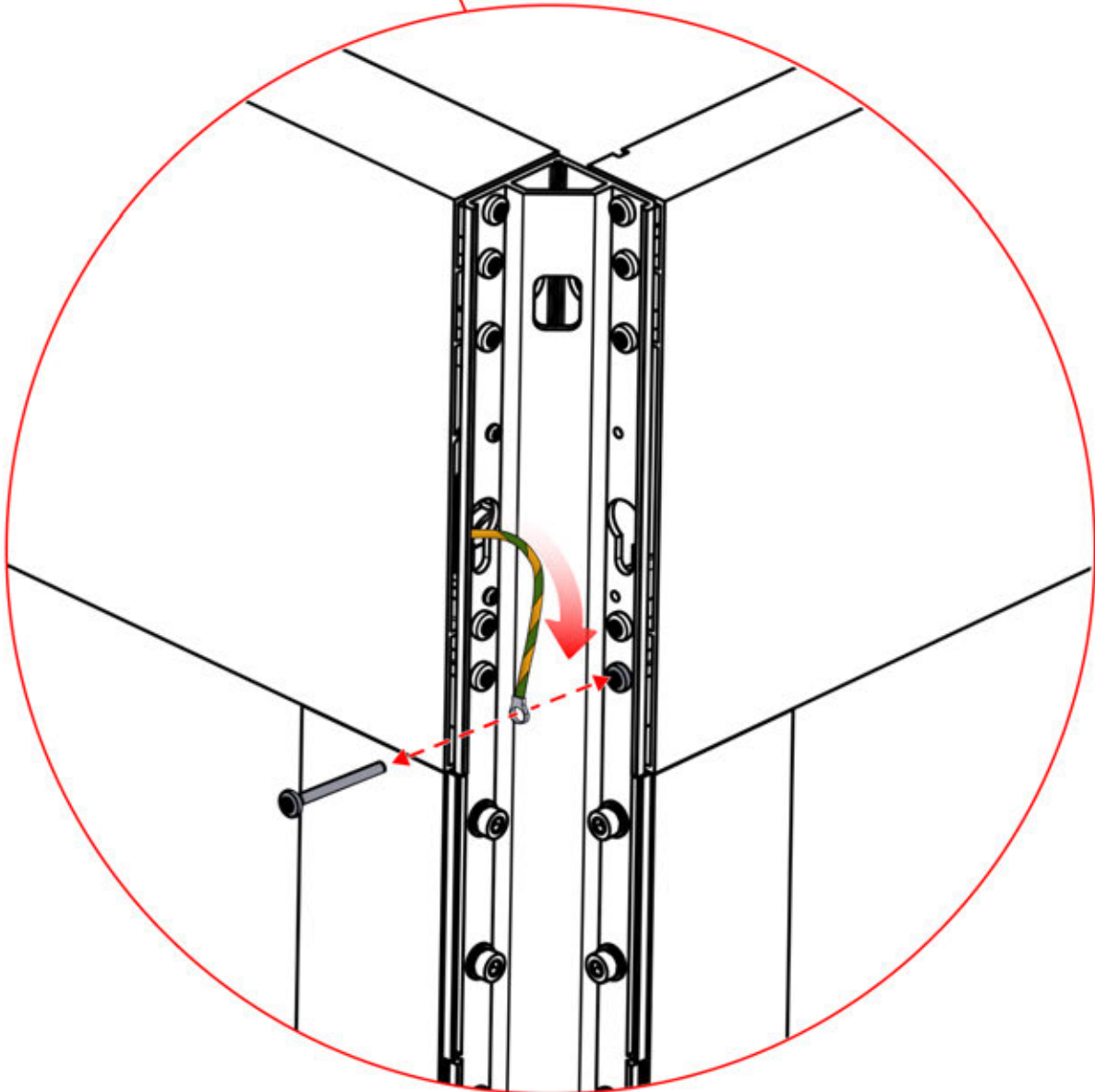
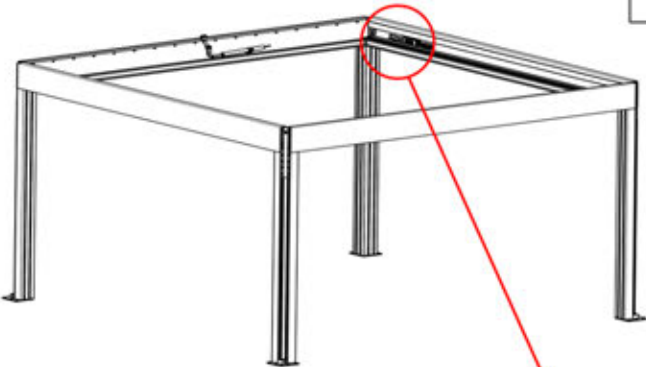


25

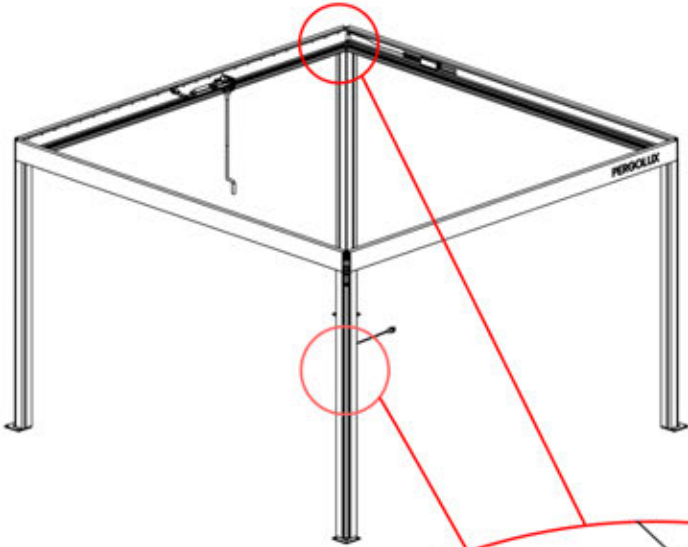
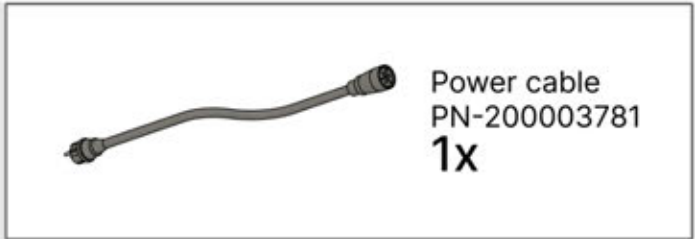
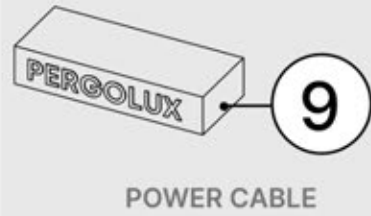
 **Connect grounding wire before connecting to power!**



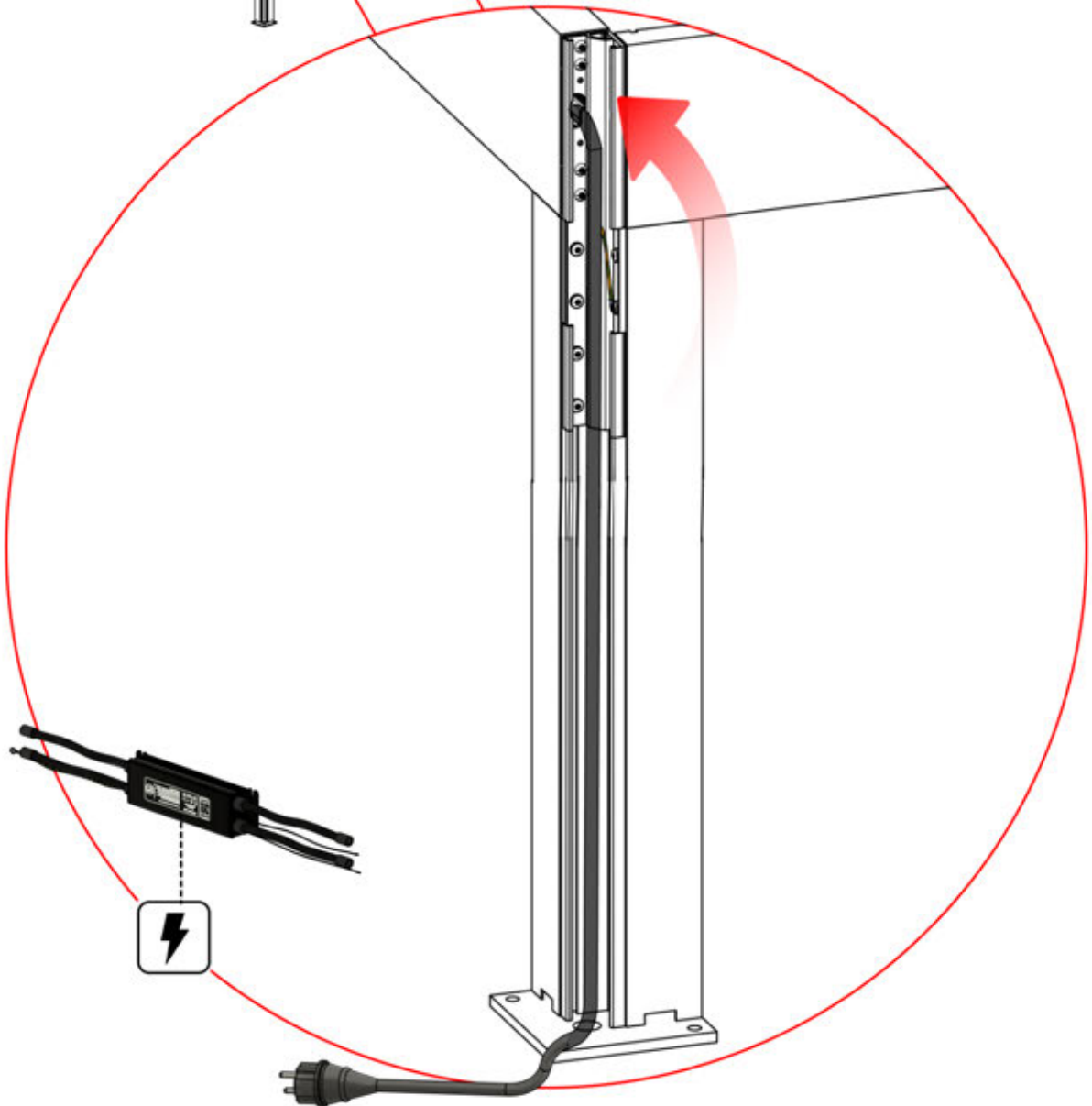
 **GROUNDING**



26

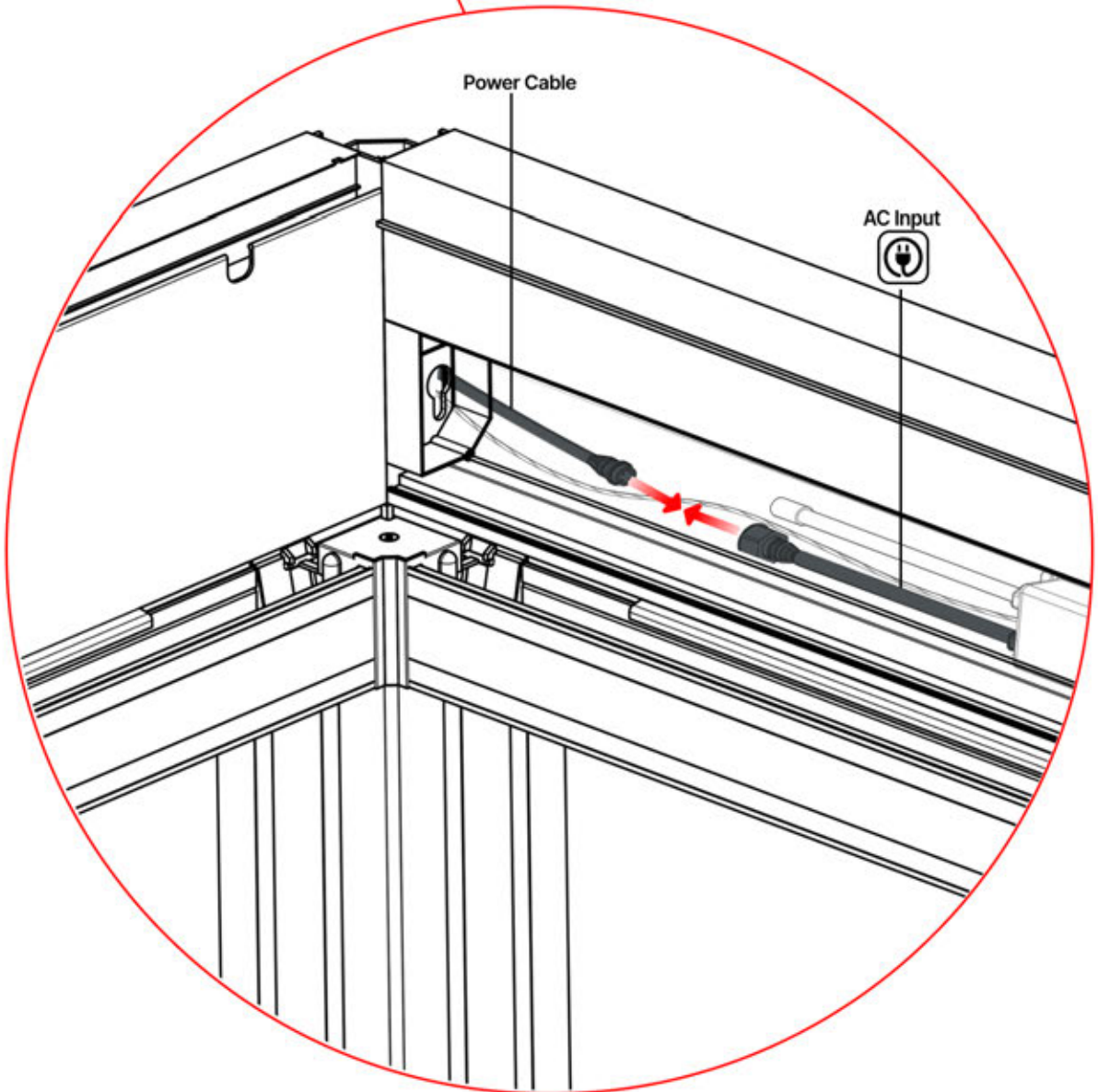
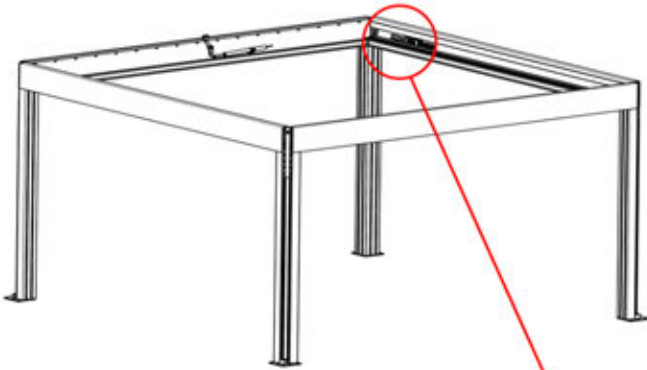


!
Power Cable can be routed through all the Poles.

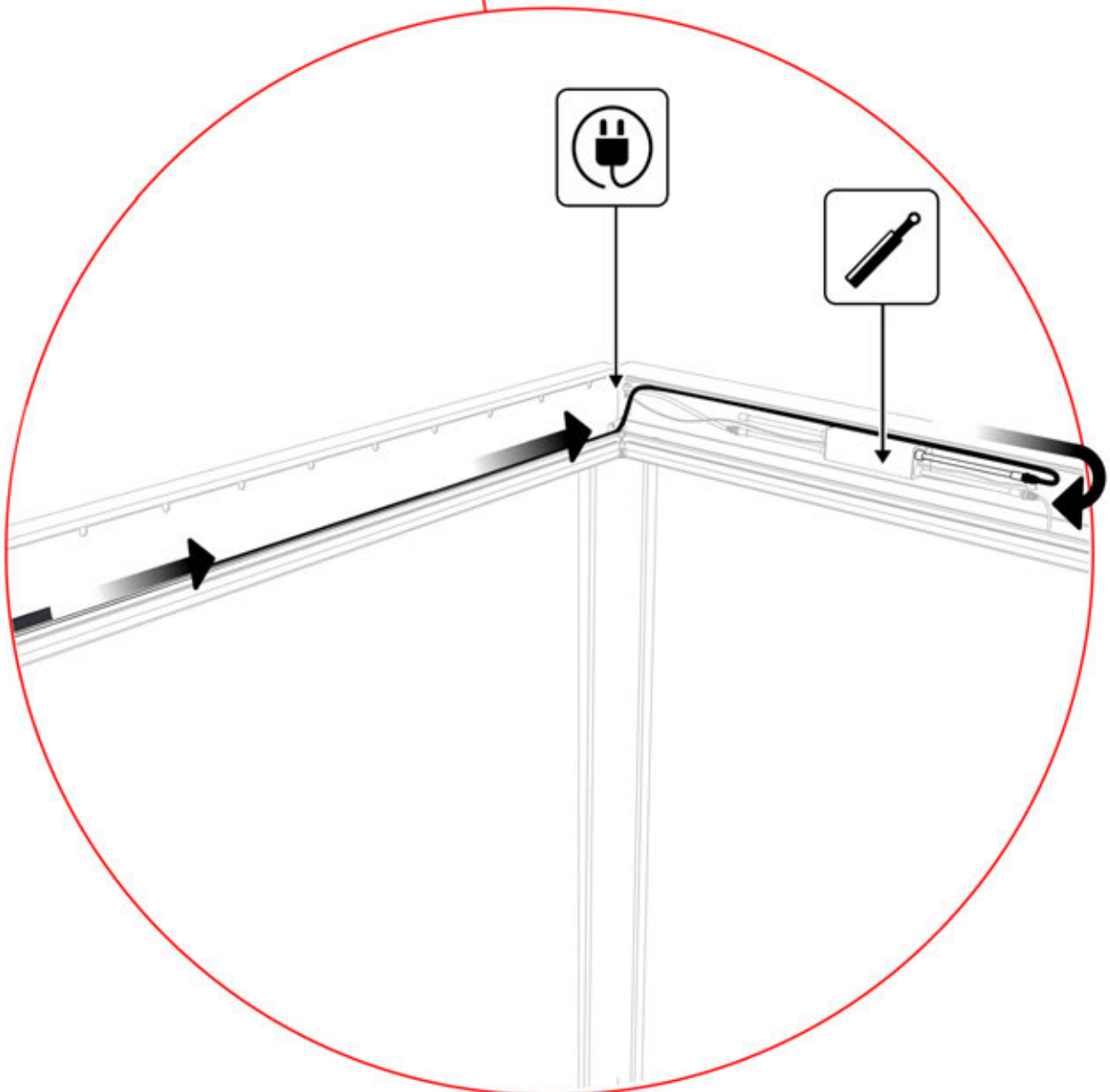
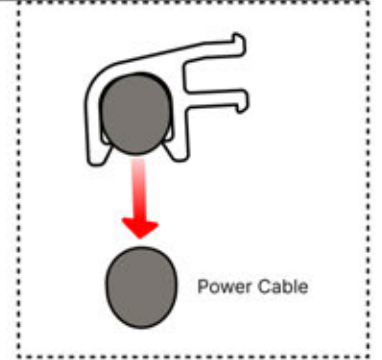
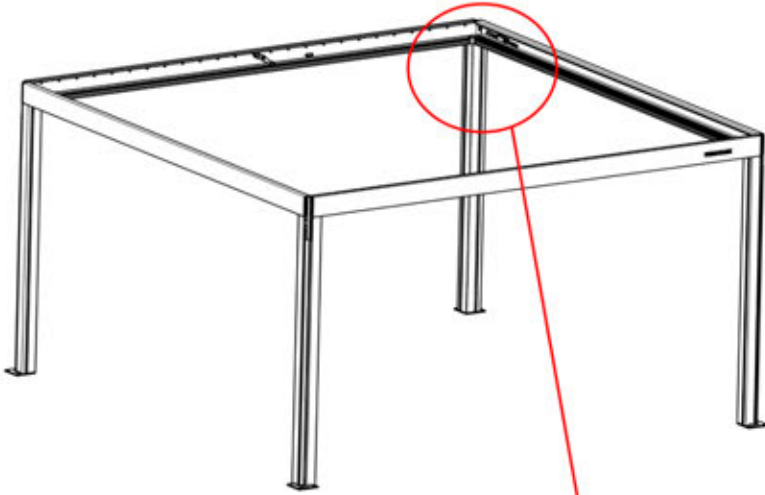


27

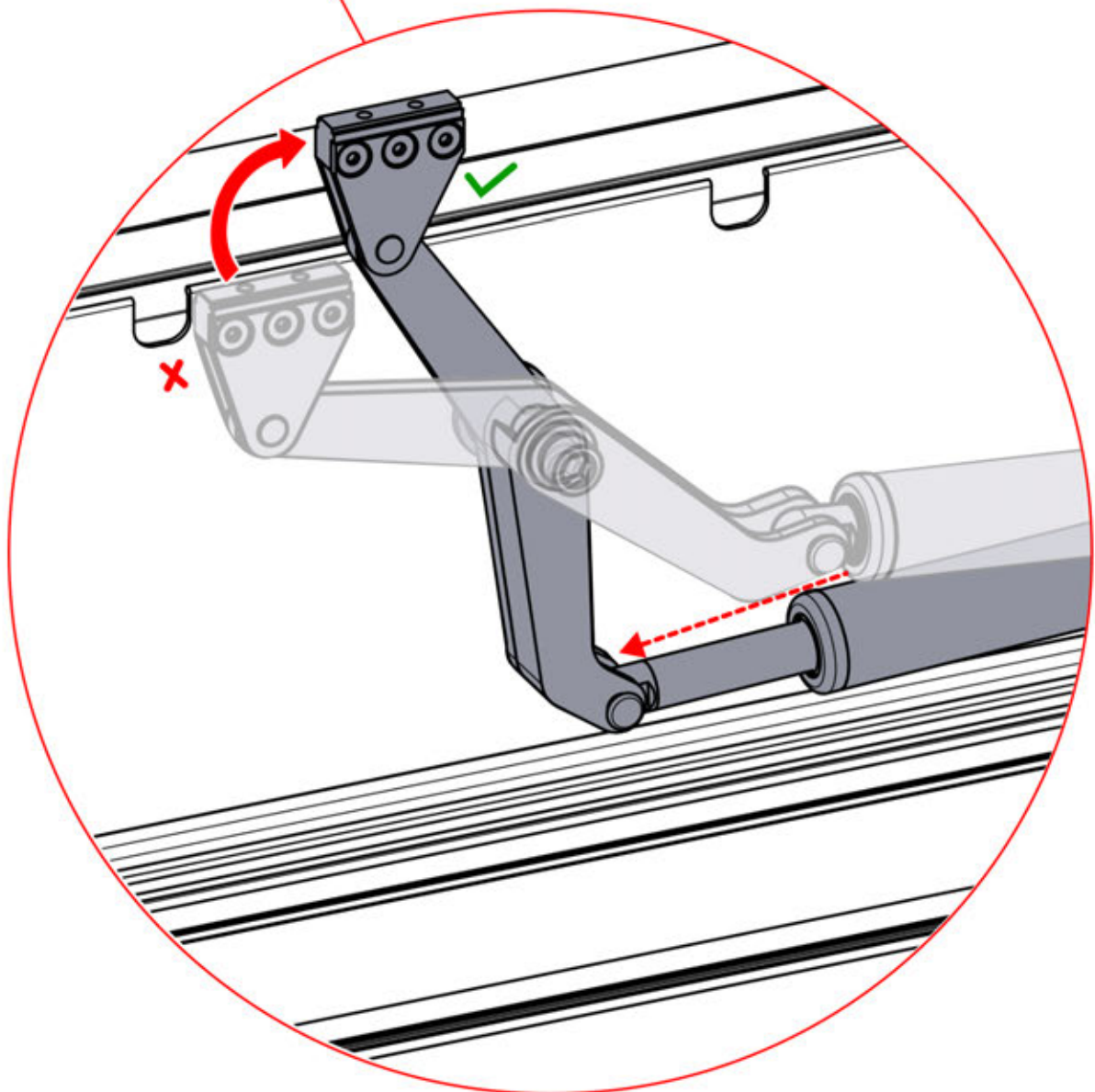
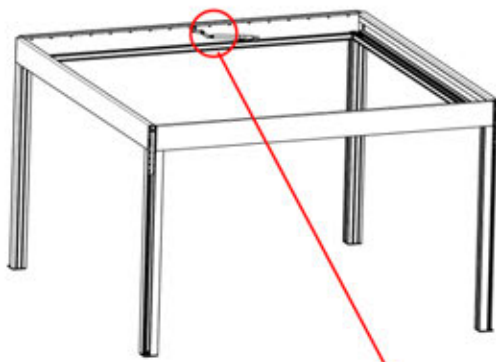
 <p>PERGOLUX POWER CABLE</p>	 <p>Power cable PN-200003781 1x</p>
---	--







28

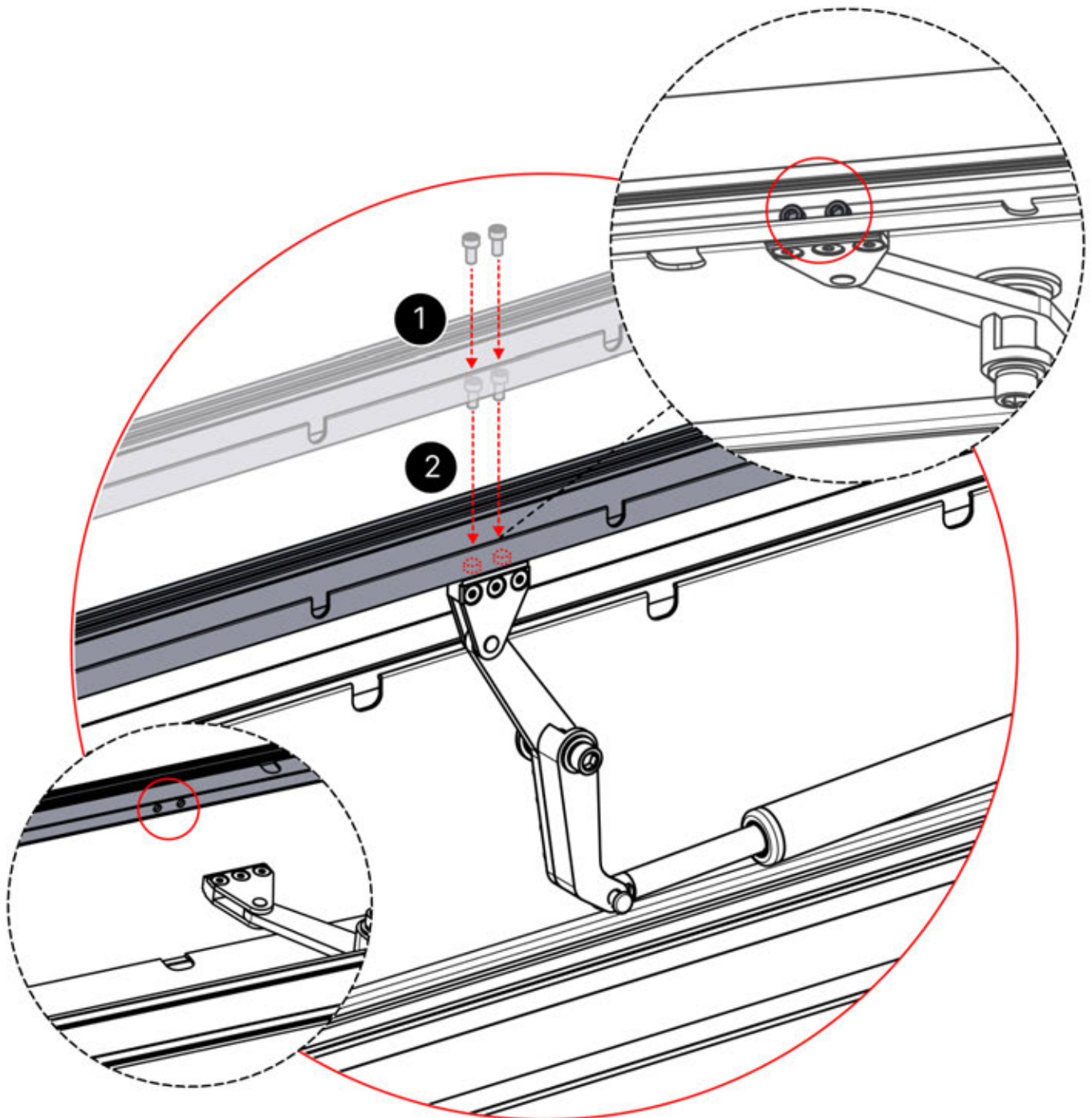


29



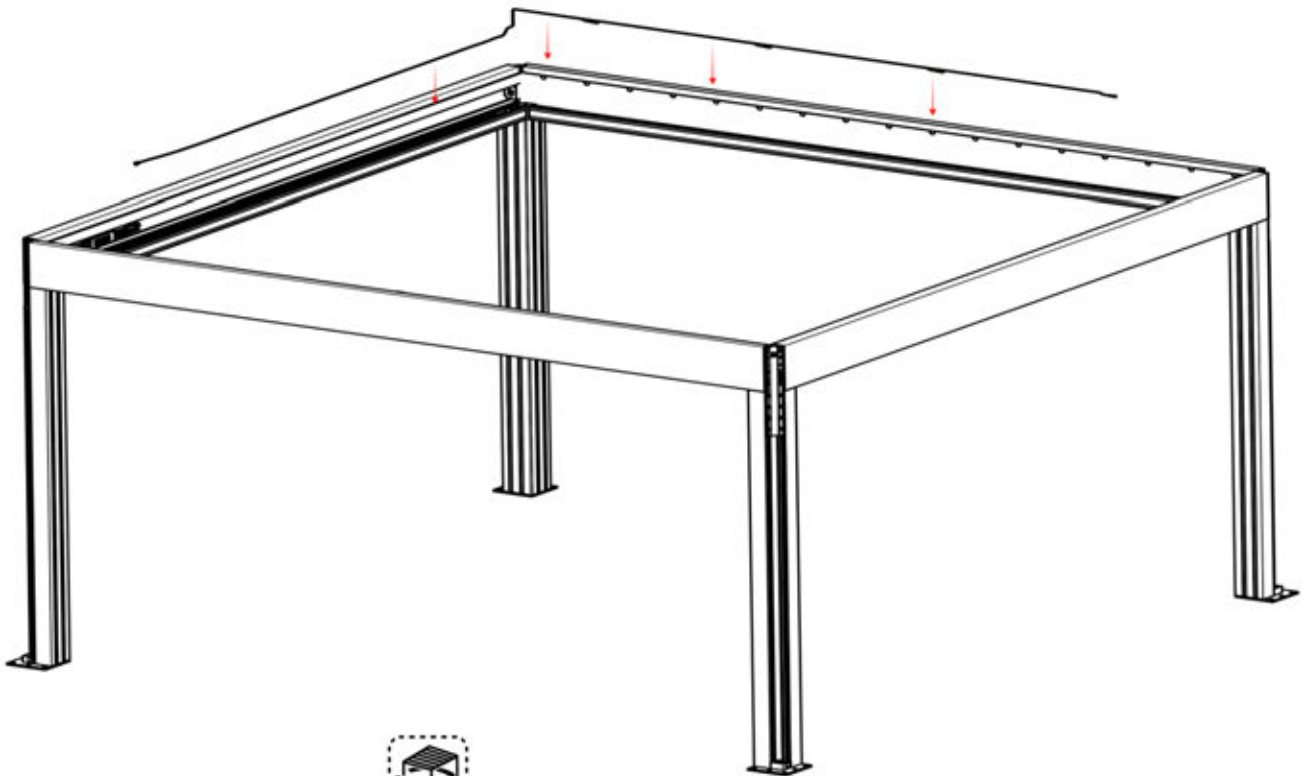
30

 x1 PERGOLUX	2	
ANTHRACITE: B285 WHITE: B289 BLACK: B293		
 x1 PERGOLUX	6	
ANTHRACITE: L239 WHITE: L243 BLACK: L241		
		 PN-200002492 1x
		 PN-200002134 2x

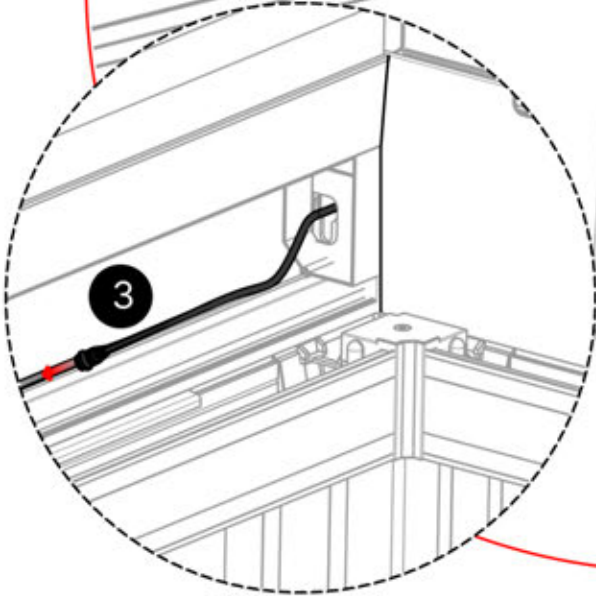
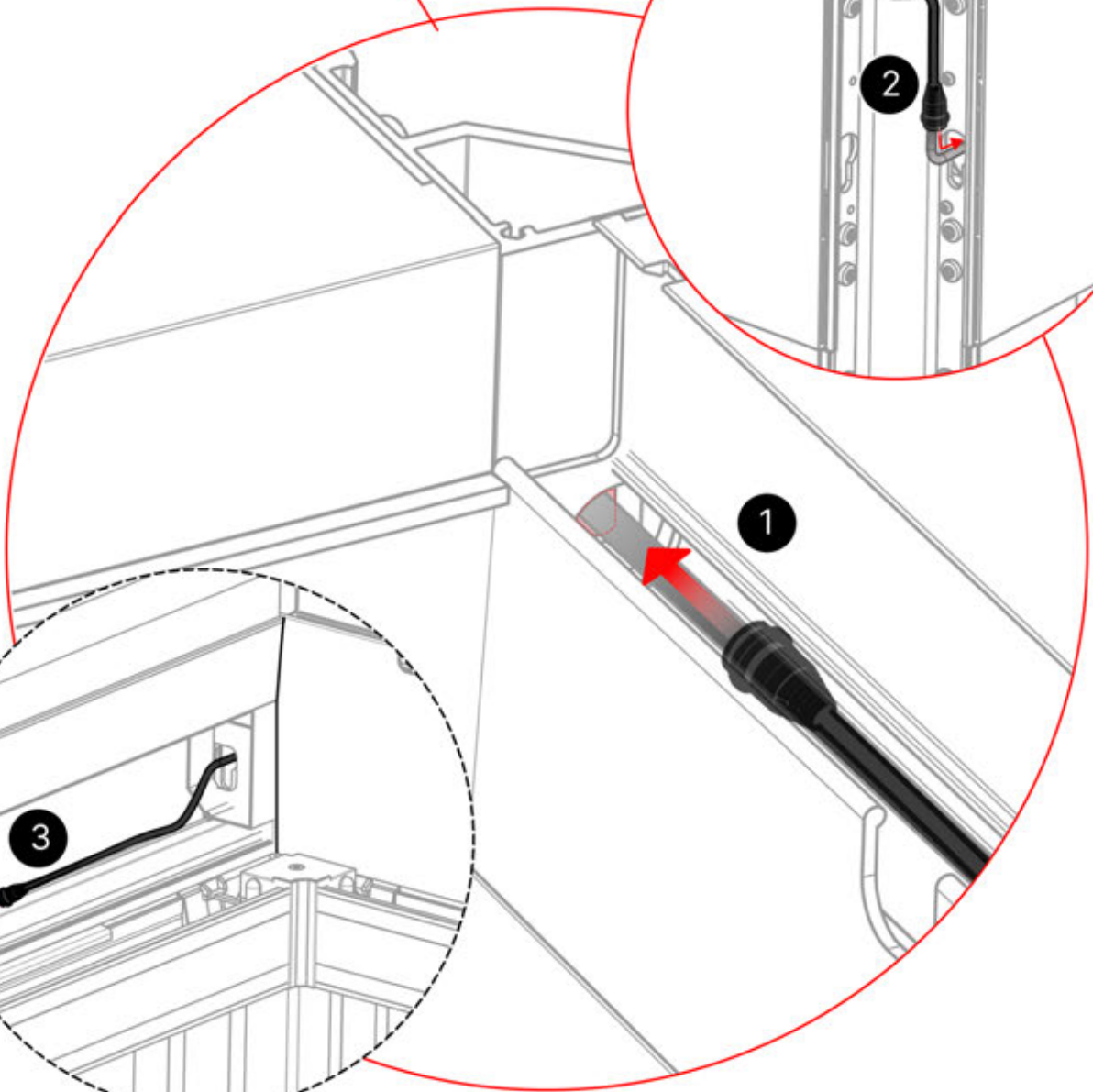
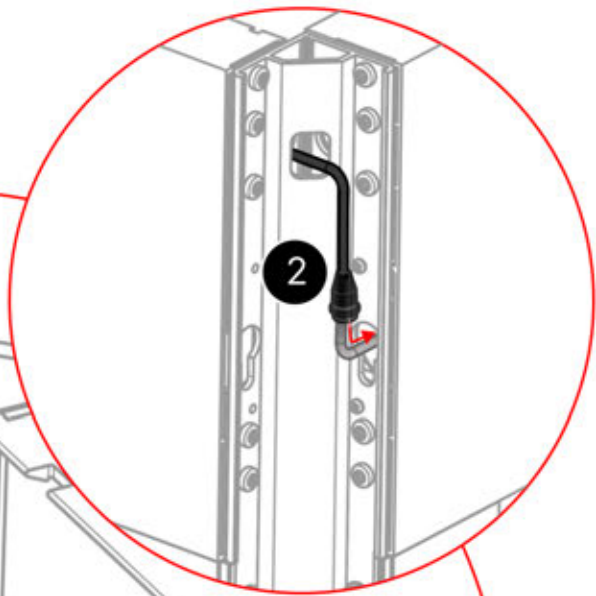
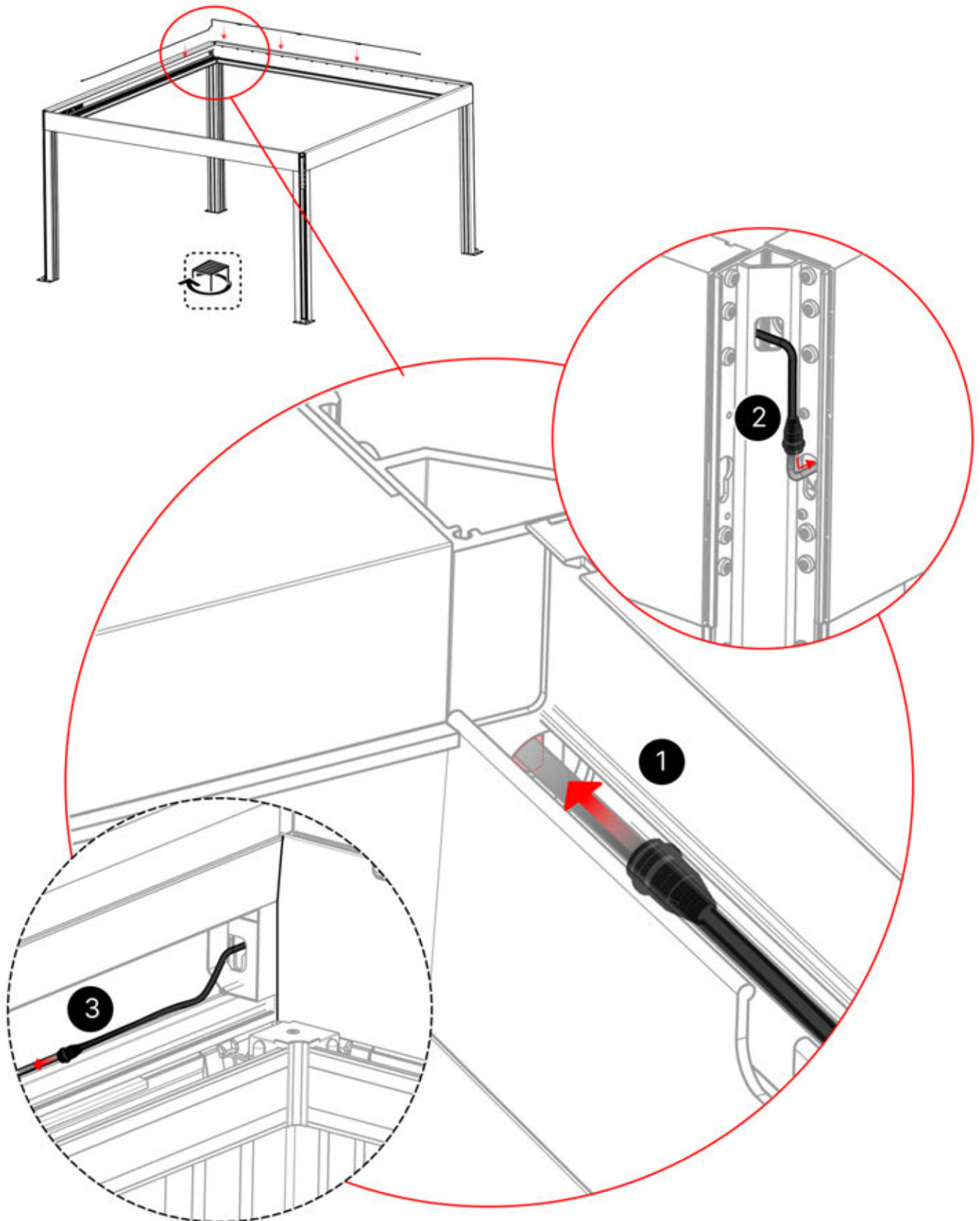
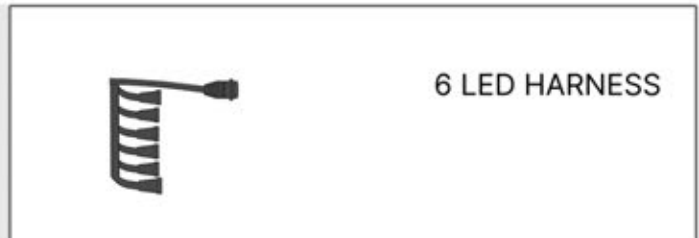
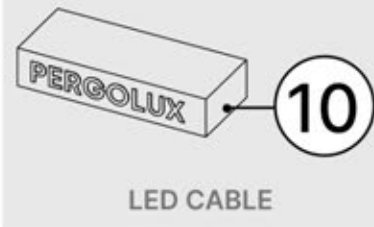


31

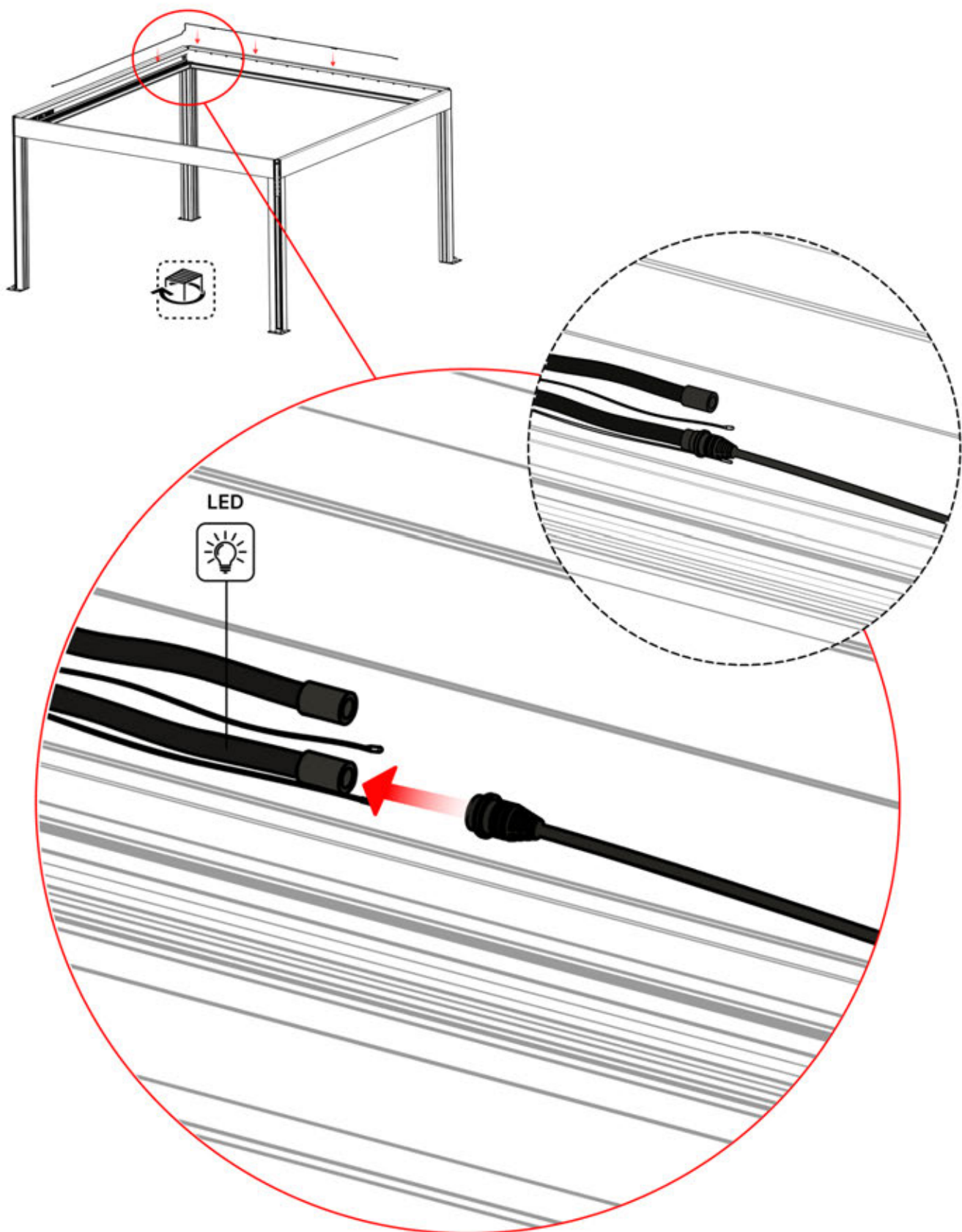
 <p>PERGOLUX</p> <p>LED CABLE</p> <p>10</p>	 <p>6 LED HARNESS</p>
--	---



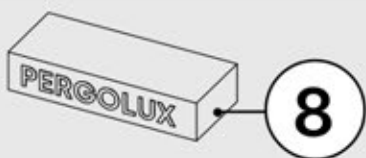

32

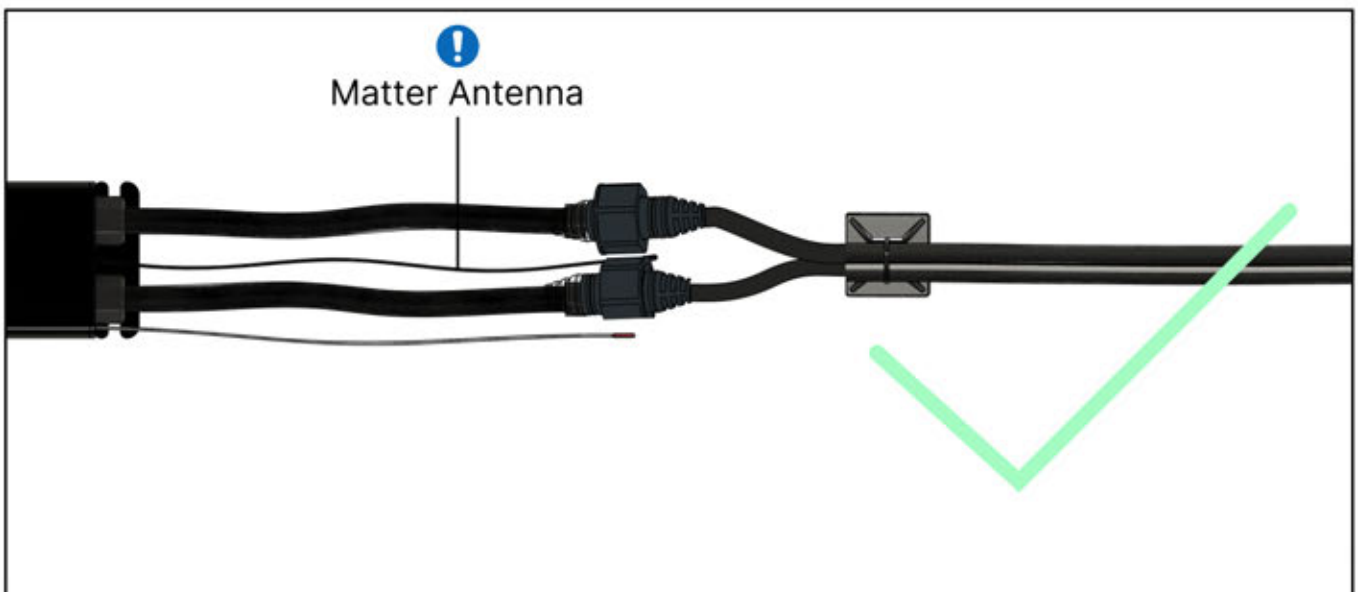
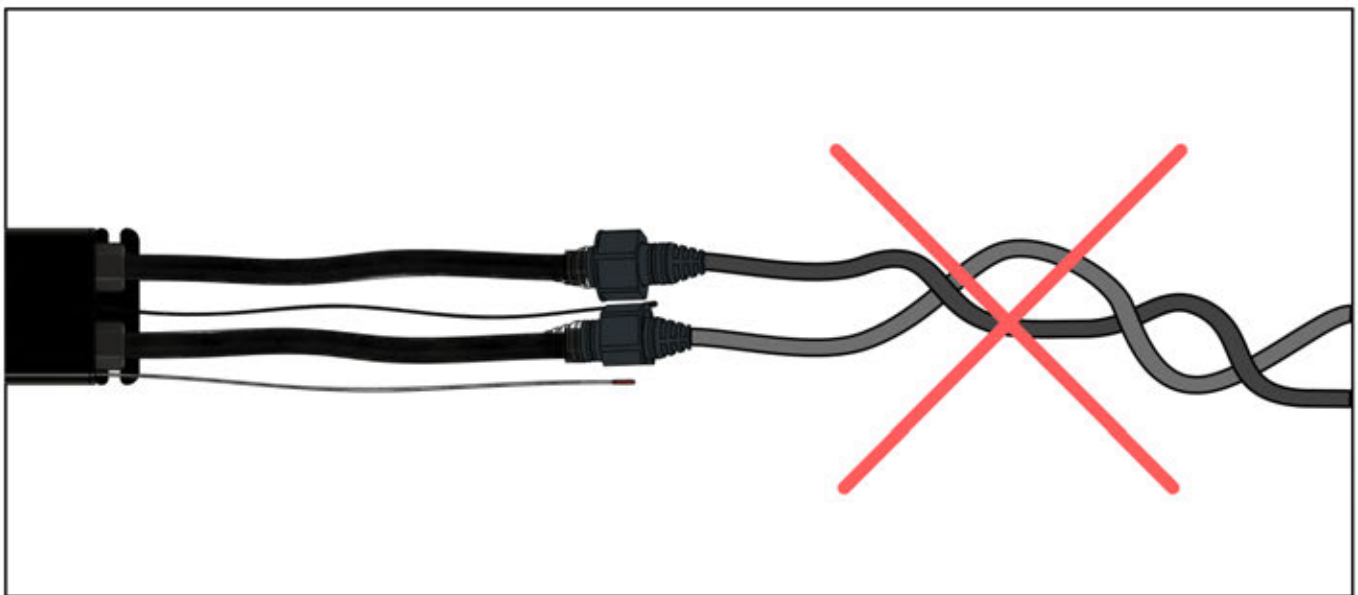


33

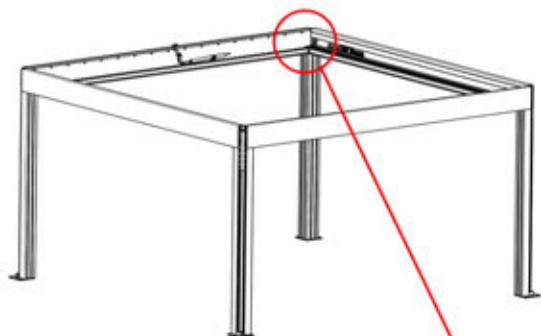


34

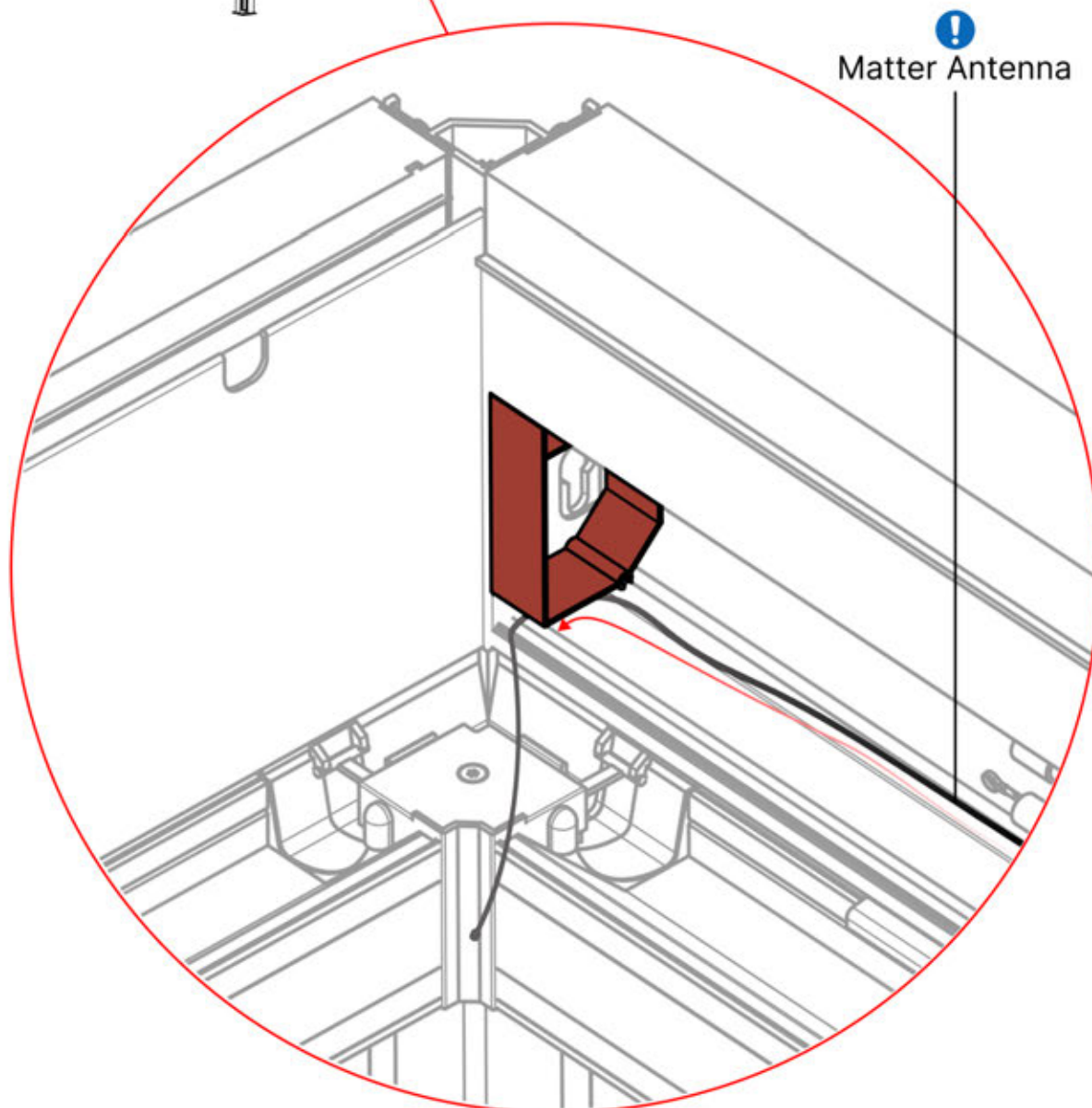
 <p>CONTROL BOX</p>	S4	PN-200002683 5x
<p>Keep the Matter Antenna wire free and do not tie them with LED and Motor wire</p>		PN-200002684 10x



35



!
Route the Matter
Antenna and place it
below the highlighted
part(PN-200002329).

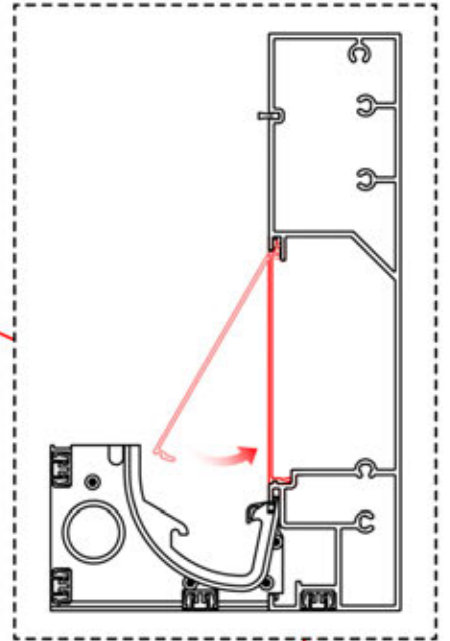
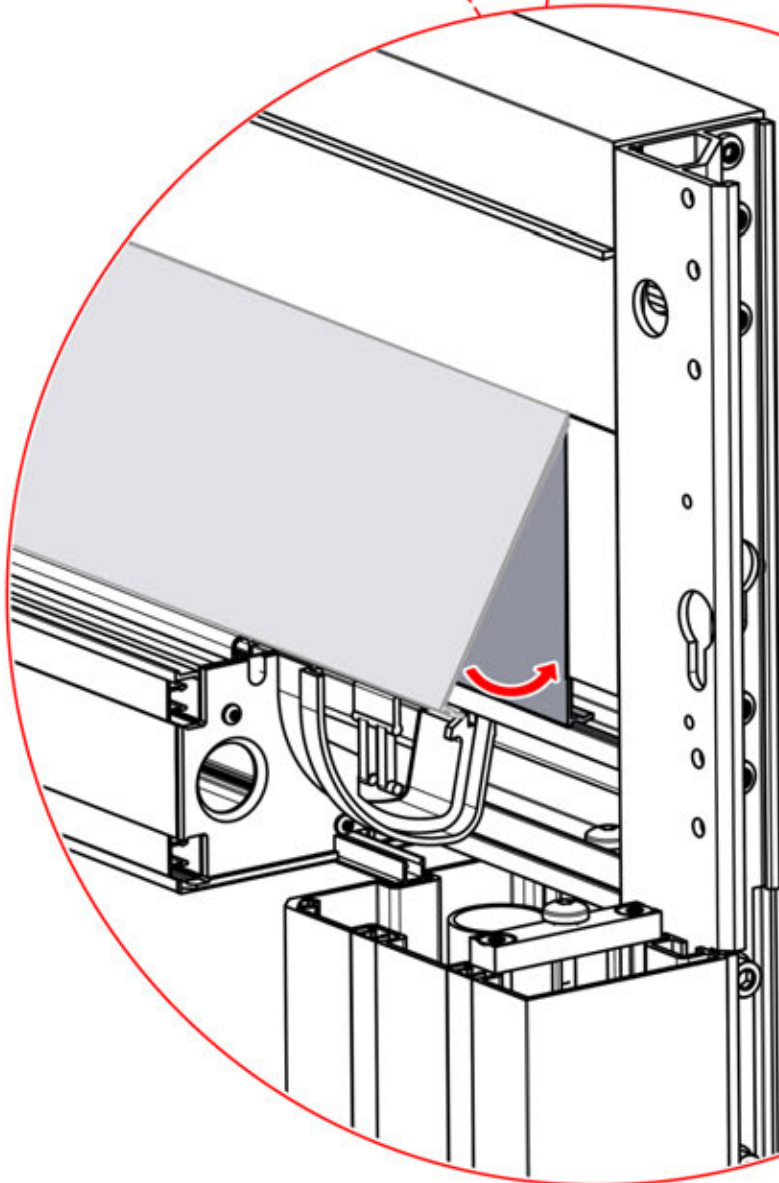
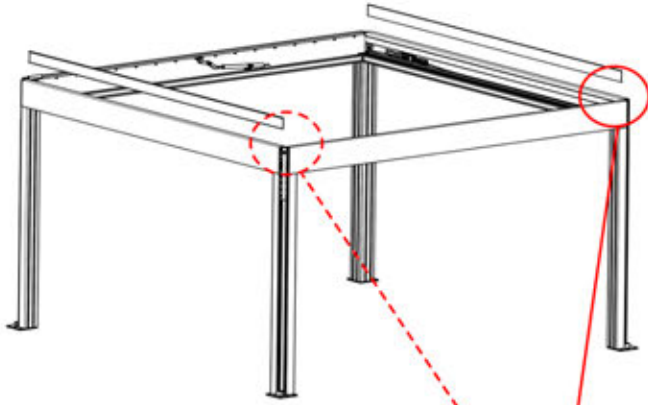
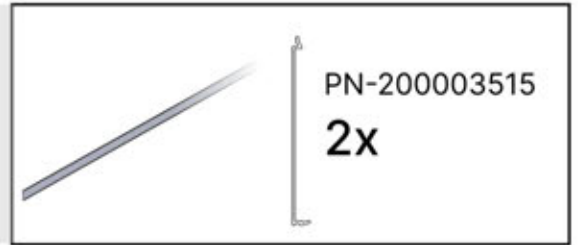


36



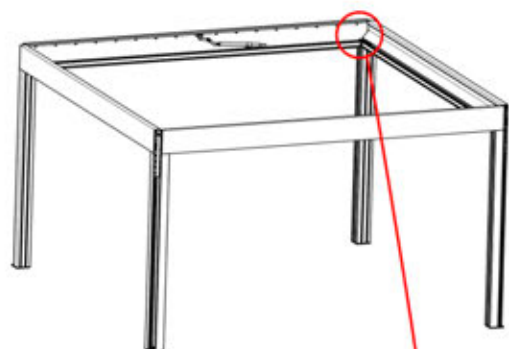
3

ANTHRACITE: B307
WHITE: B309
BLACK: B311

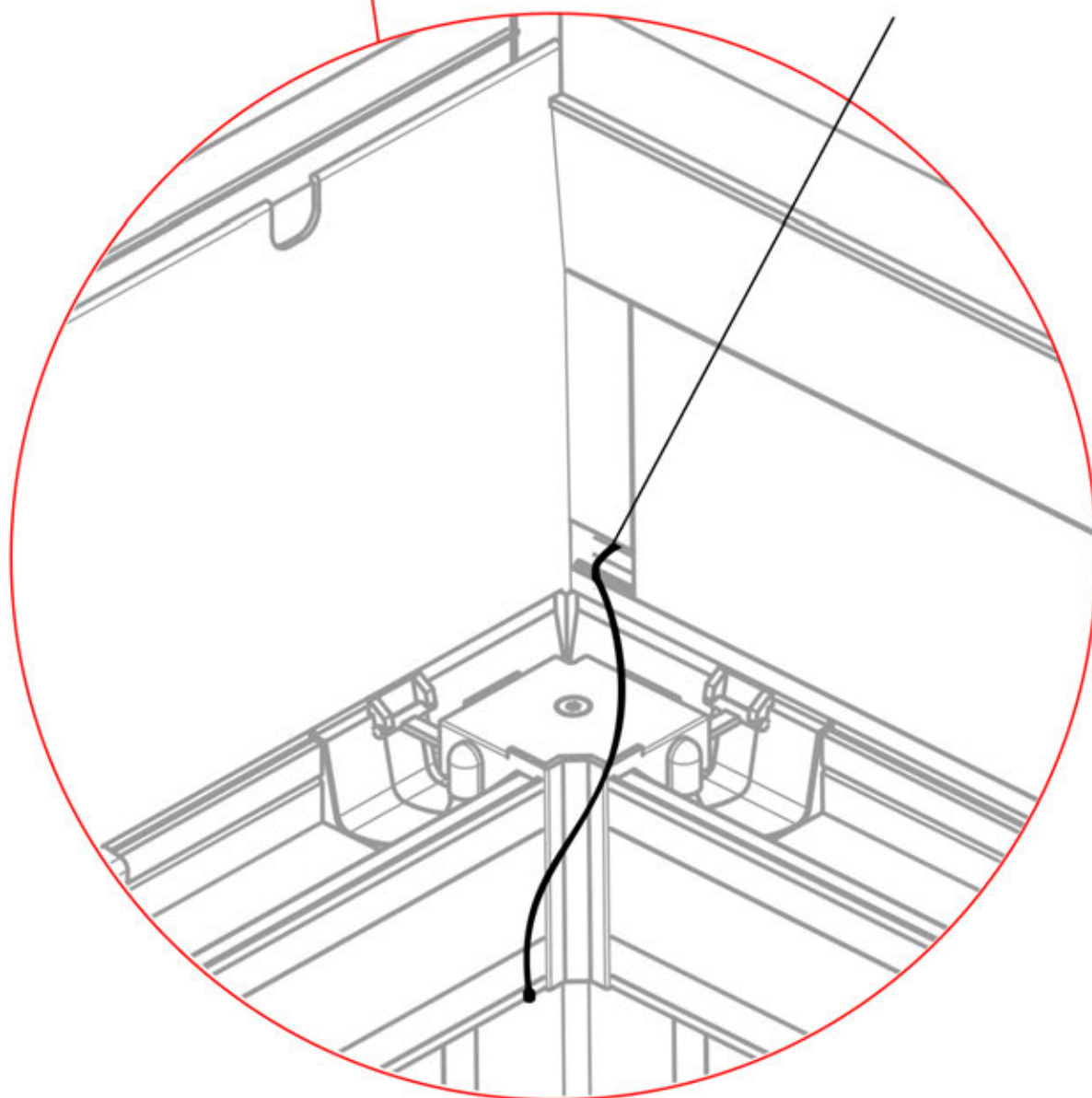


2

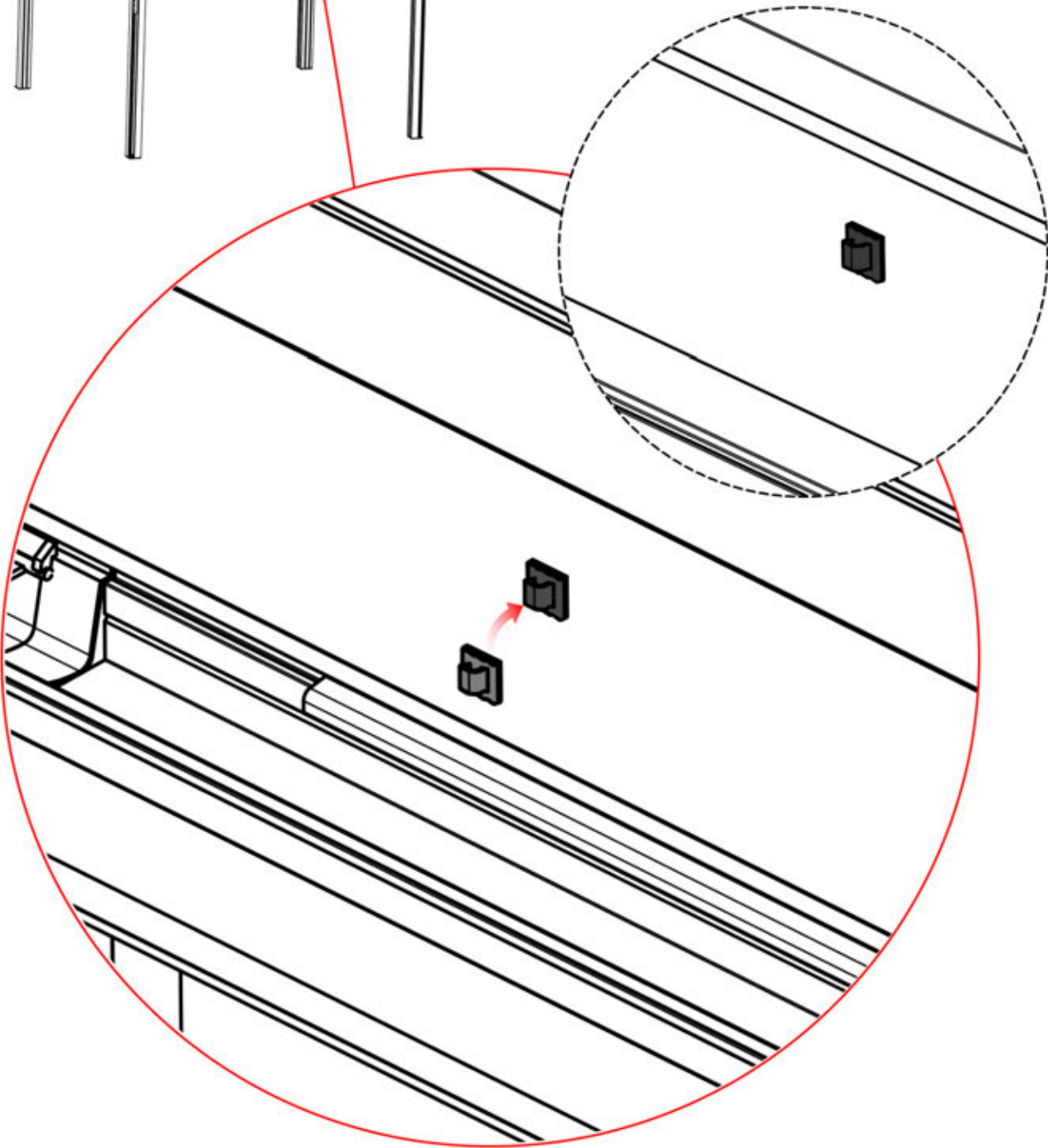
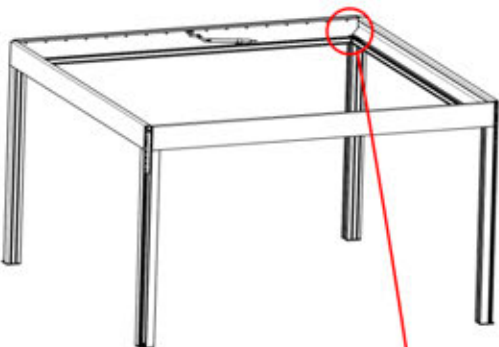
INFORMATION

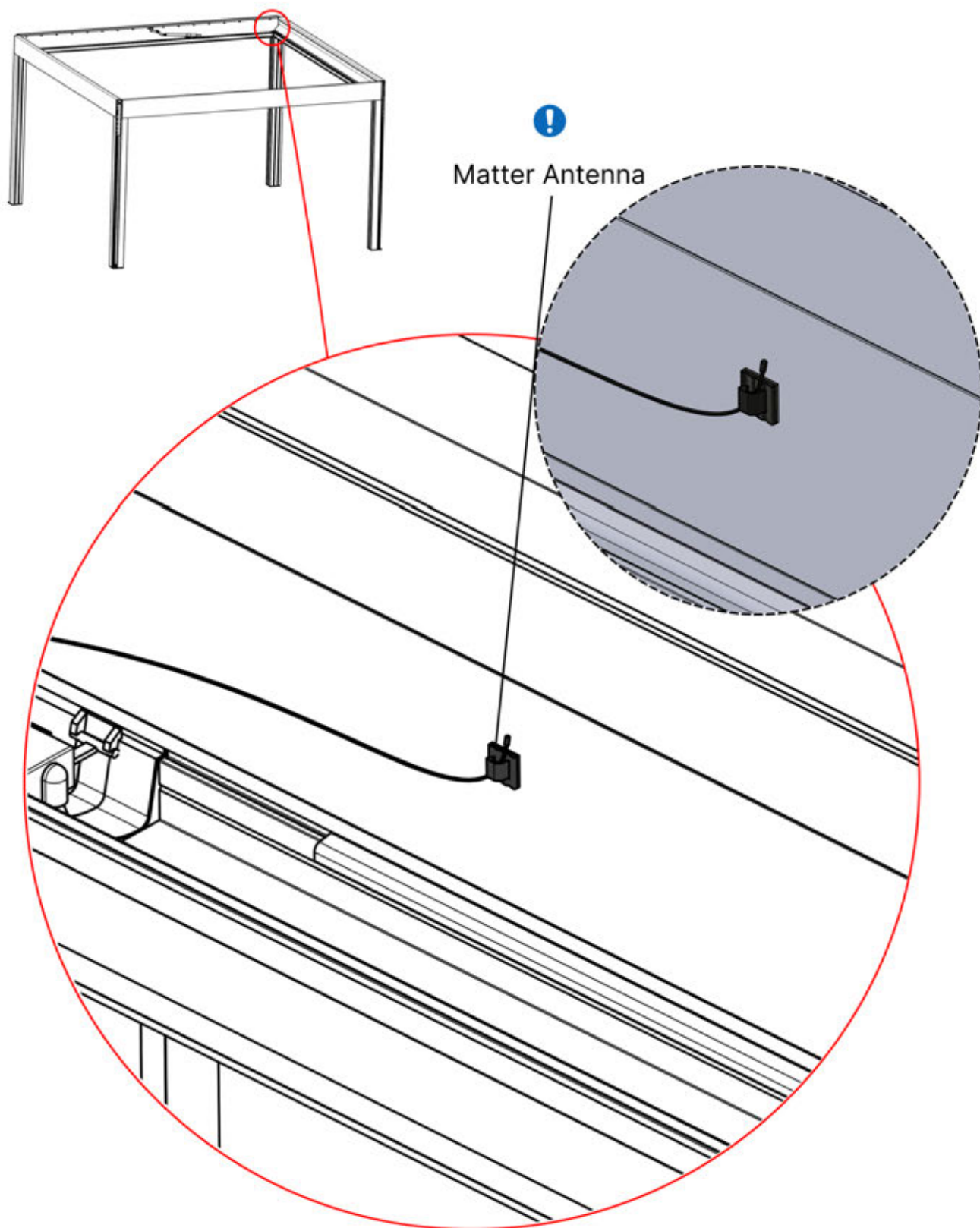


!
Matter Antenna



37







PERGOLUX PRO MAX 3x5

PN-200003532



L239
L243
L241

14x



Standard = **S**



PN-200003536



L251
L255
L253

6x



LED =



PN-200003534

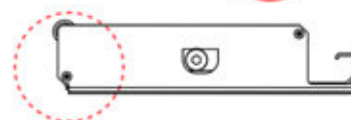


L263
L267
L265

1x



End = **E**





39

x3
PERGOLUX
PERGOLUX
PERGOLUX

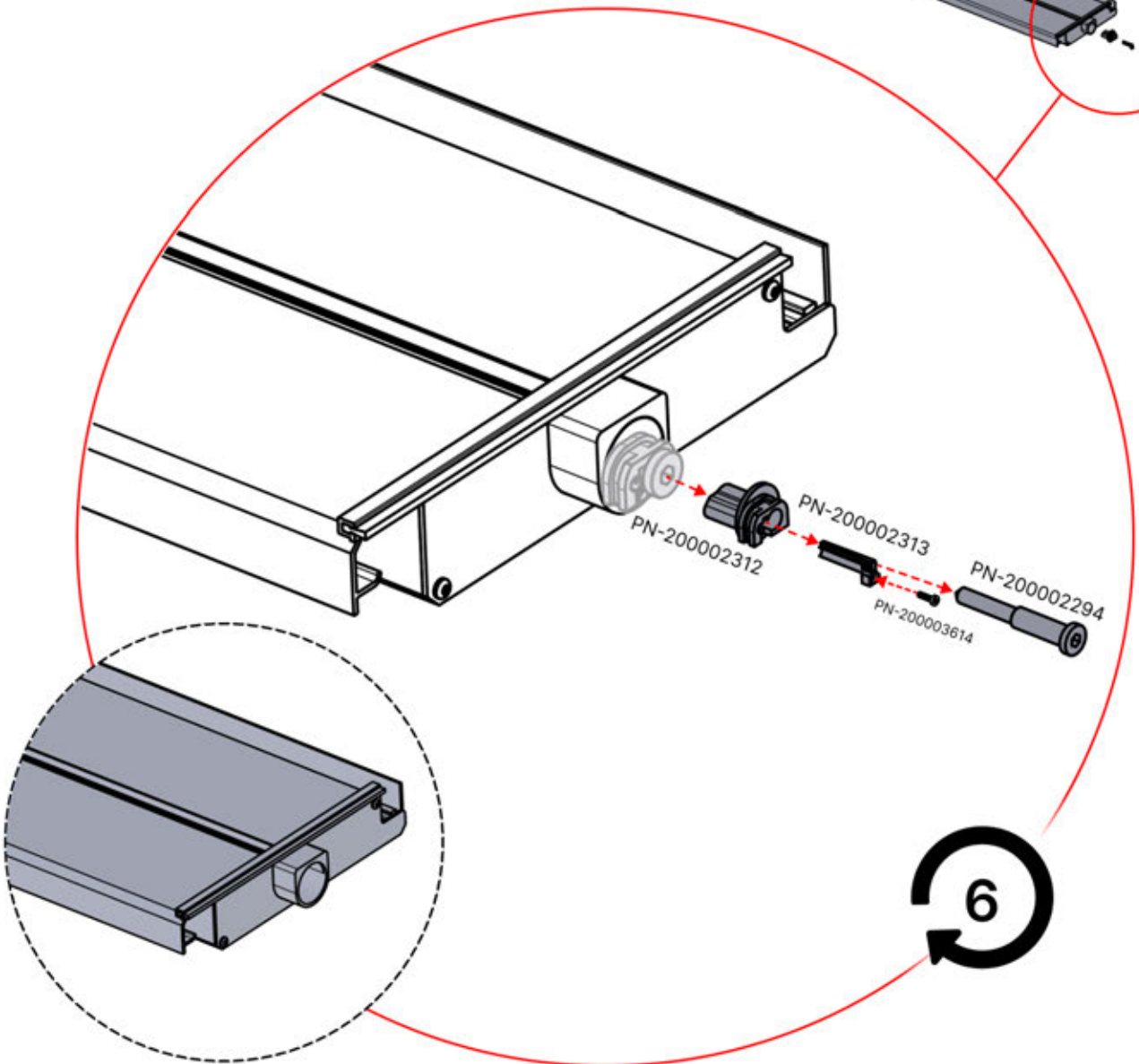
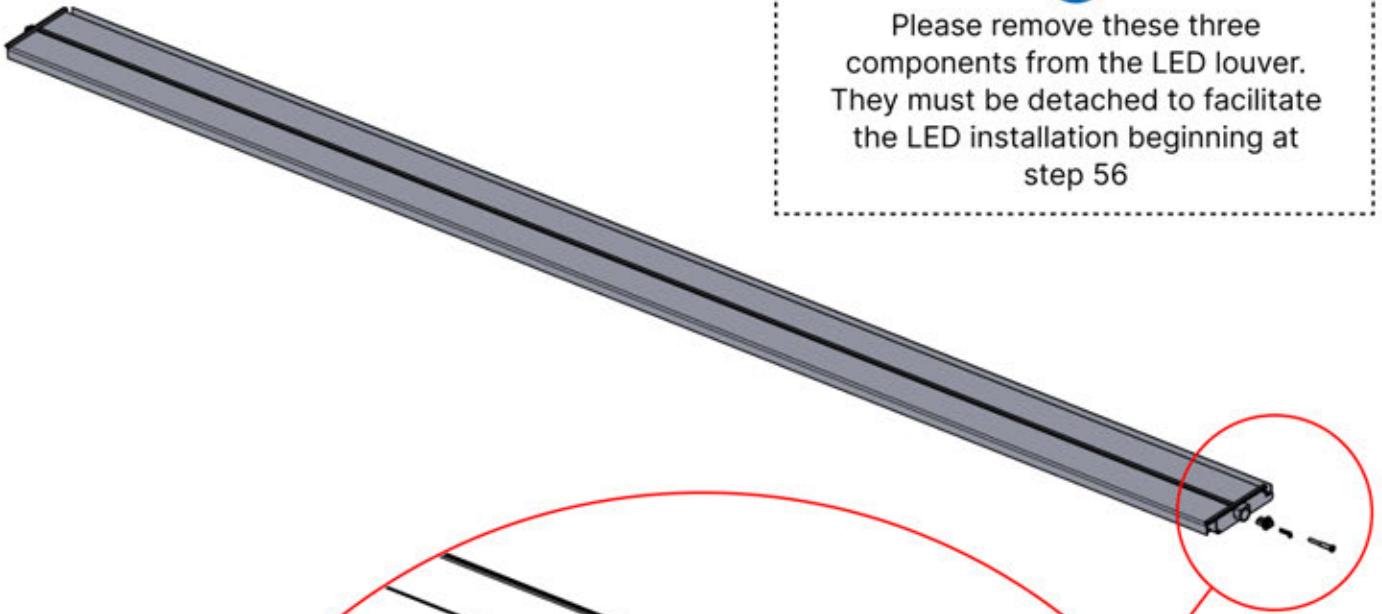
5

ANTHRACITE: L251
WHITE: L255
BLACK: L253

 PN-200003536
6x



 Please remove these three components from the LED louver. They must be detached to facilitate the LED installation beginning at step 56





40


x3
PERGOLUX
PERGOLUX
PERGOLUX

5

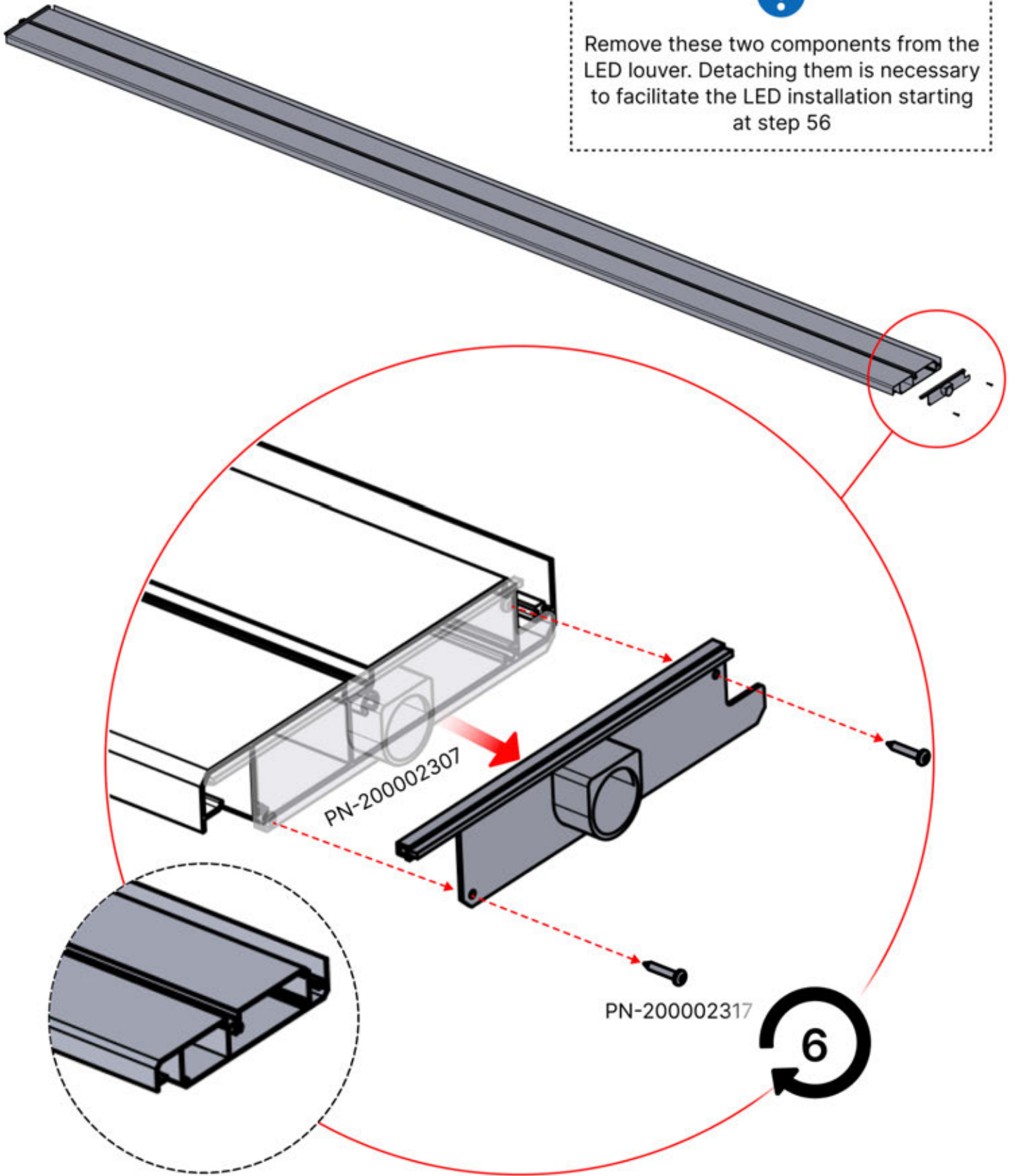
ANTHRACITE: L251
WHITE: L255
BLACK: L253

 PN-200003536
6x





Remove these two components from the LED louver. Detaching them is necessary to facilitate the LED installation starting at step 56



41

x3
PERGOLUX
PERGOLUX
PERGOLUX


5

ANTHRACITE: L251
WHITE: L255
BLACK: L253

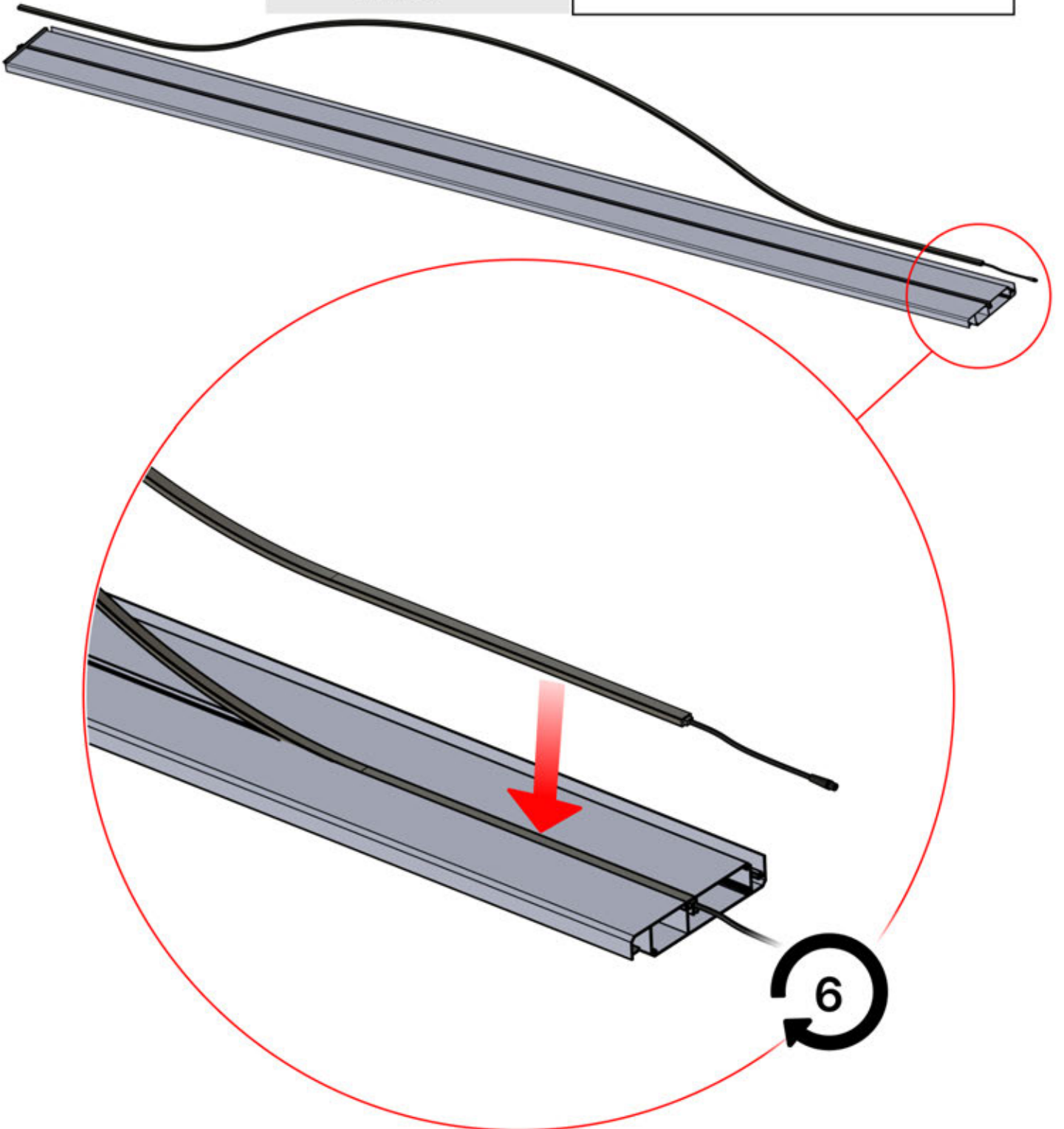
PERGOLUX

10

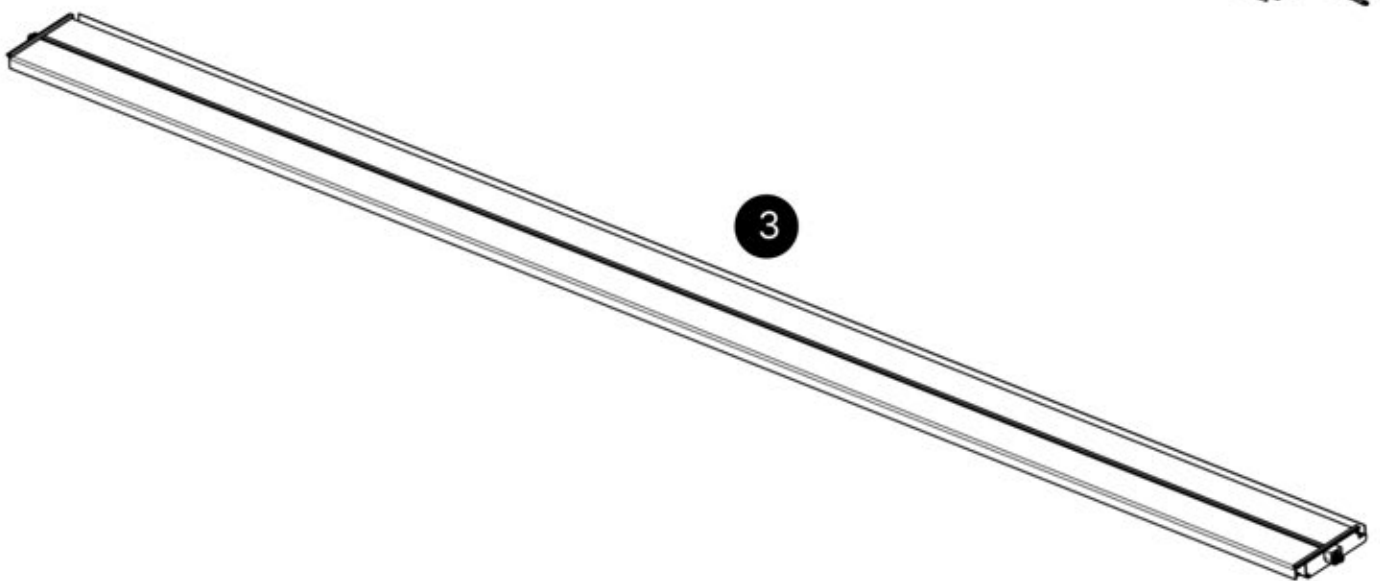
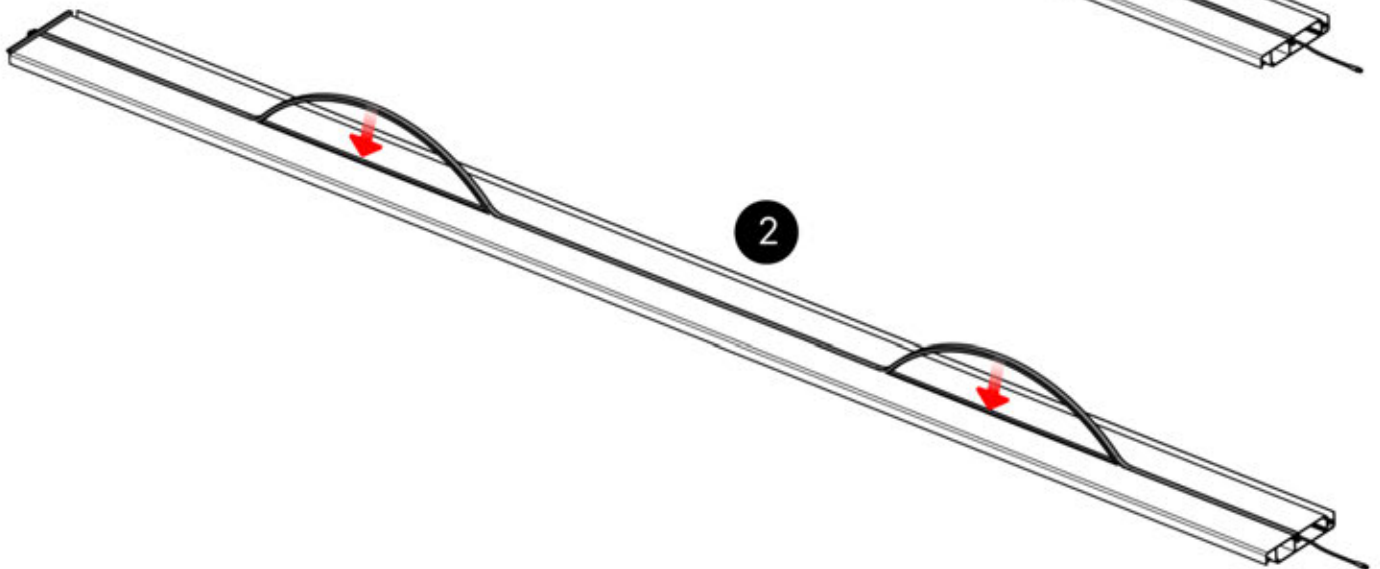
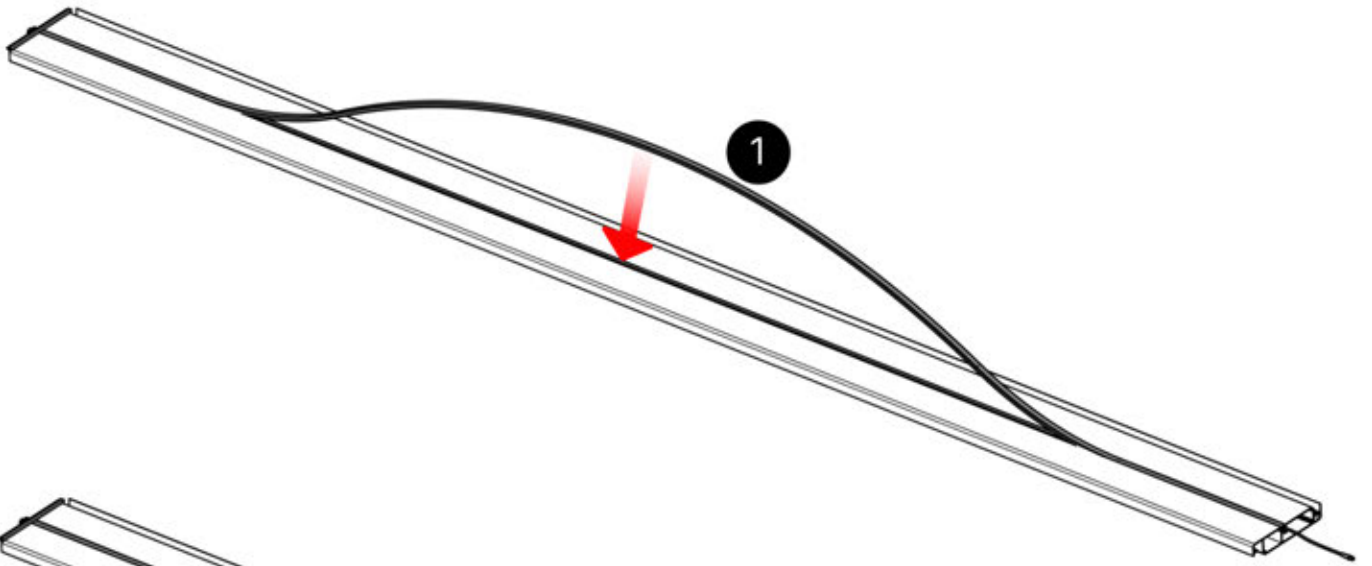
LED BOX

 PN-200003536
6x

LED STRIP
4x



42




43

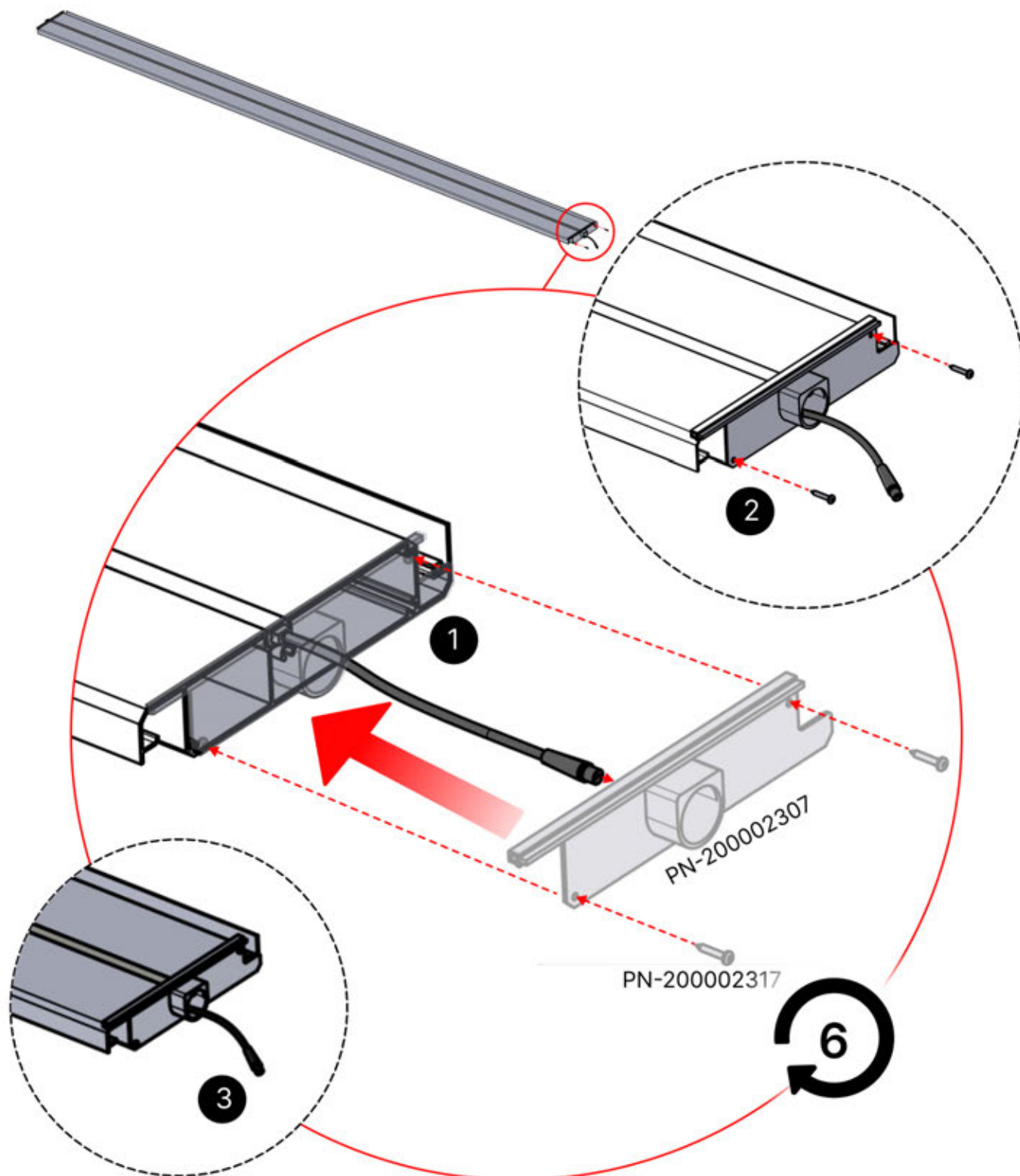

x3
PERGOLUX
PERGOLUX
PERGOLUX

5

ANTHRACITE: L251
WHITE: L255
BLACK: L253



PN-200003536
6x



44


x3
PERGOLUX
PERGOLUX
PERGOLUX


5

ANTHRACITE: L251
WHITE: L255
BLACK: L253

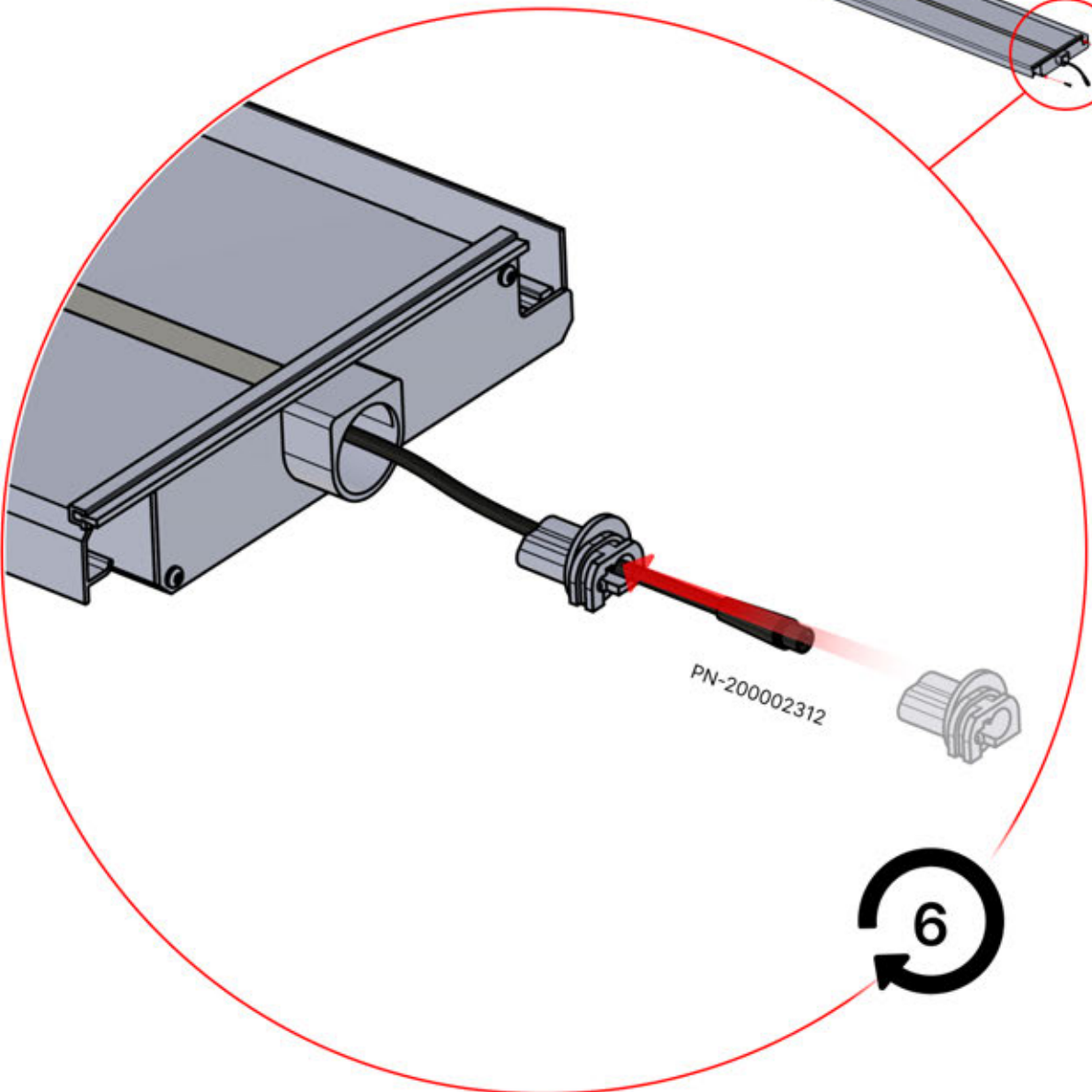
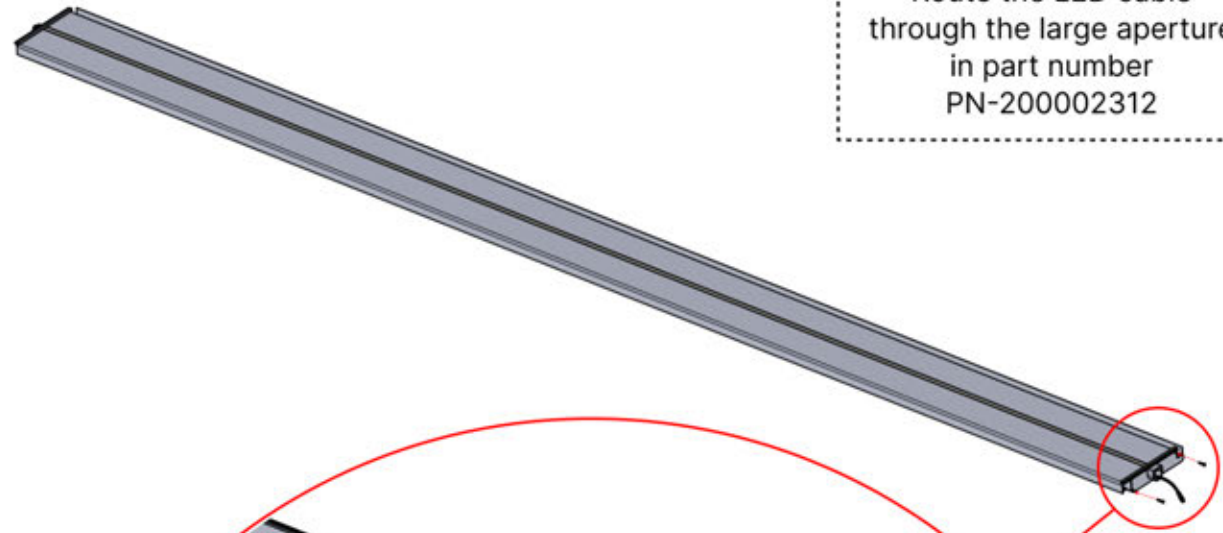


PN-200003536
6x





Route the LED cable through the large aperture in part number PN-200002312




45


x3
PERGOLUX
PERGOLUX
PERGOLUX


5

ANTHRACITE: L251
WHITE: L255
BLACK: L253

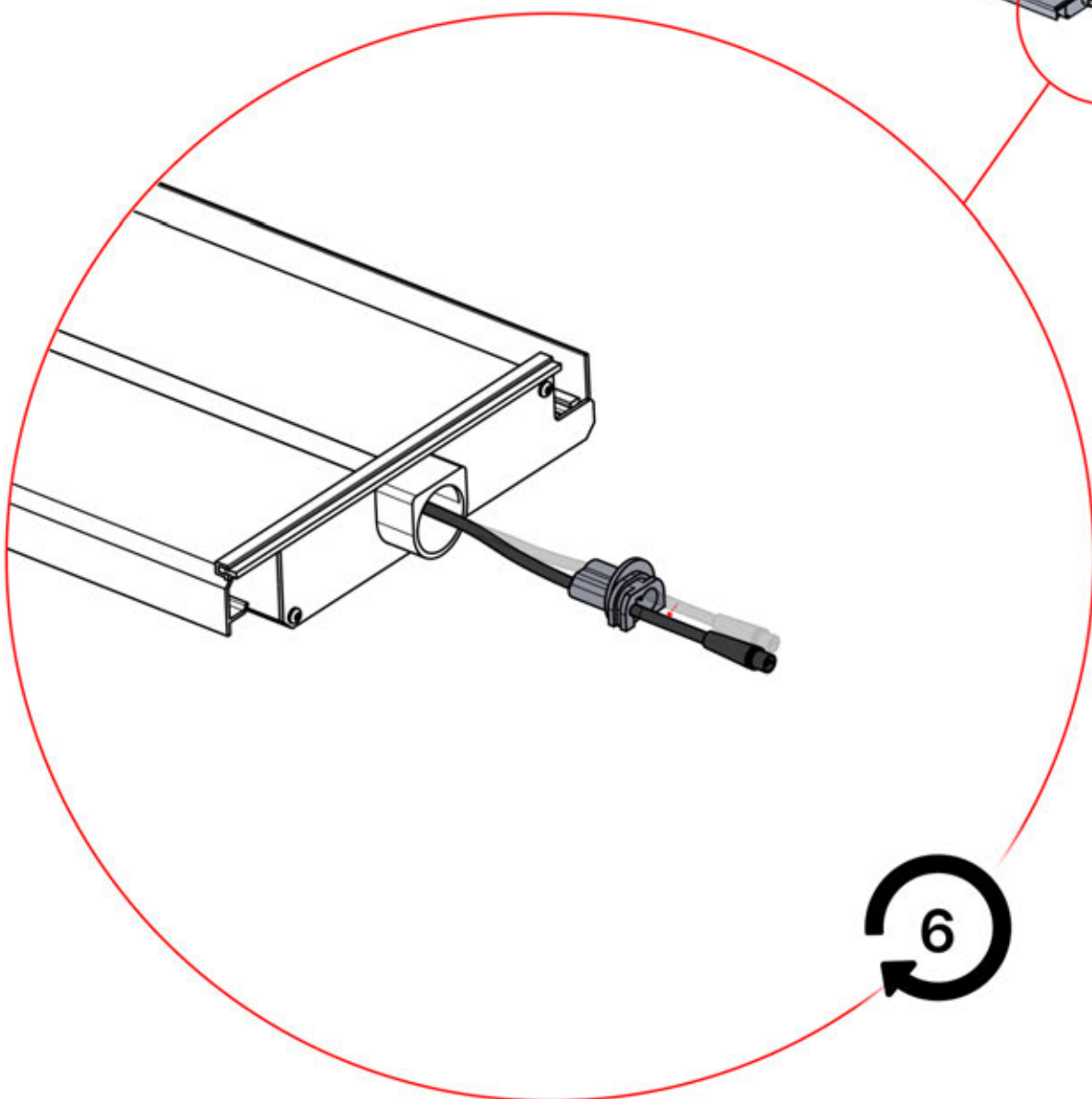
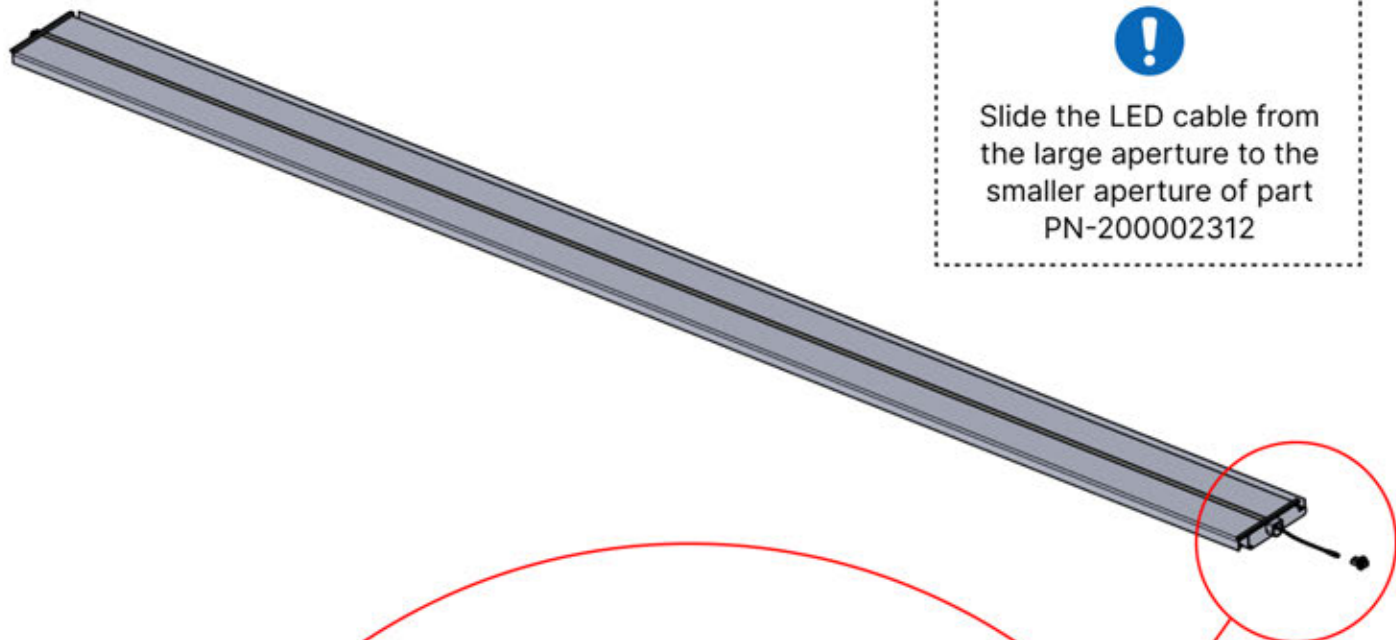


PN-200003536
6x





Slide the LED cable from the large aperture to the smaller aperture of part PN-200002312




6


46


x3
PERGOLUX
PERGOLUX
PERGOLUX

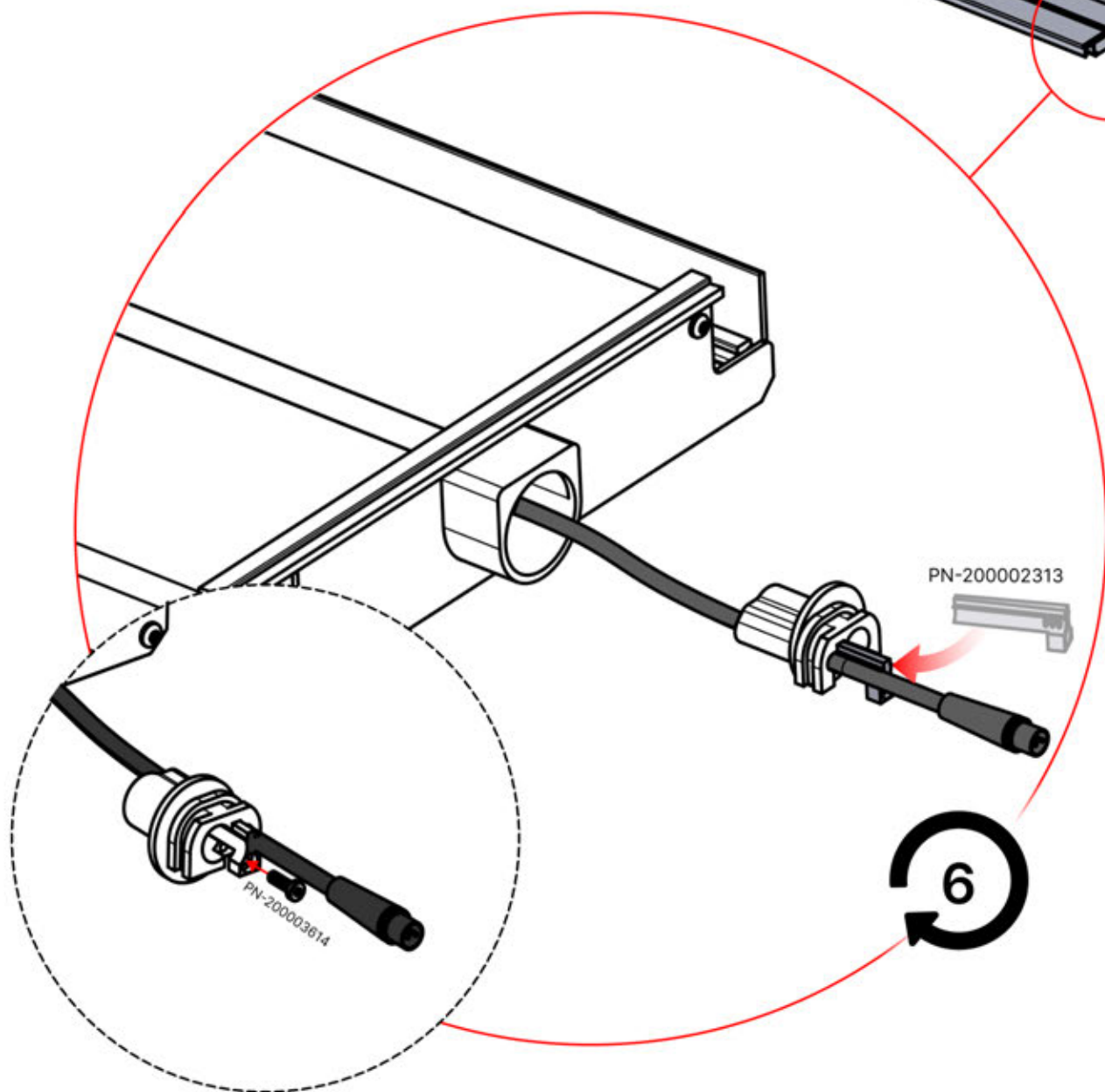
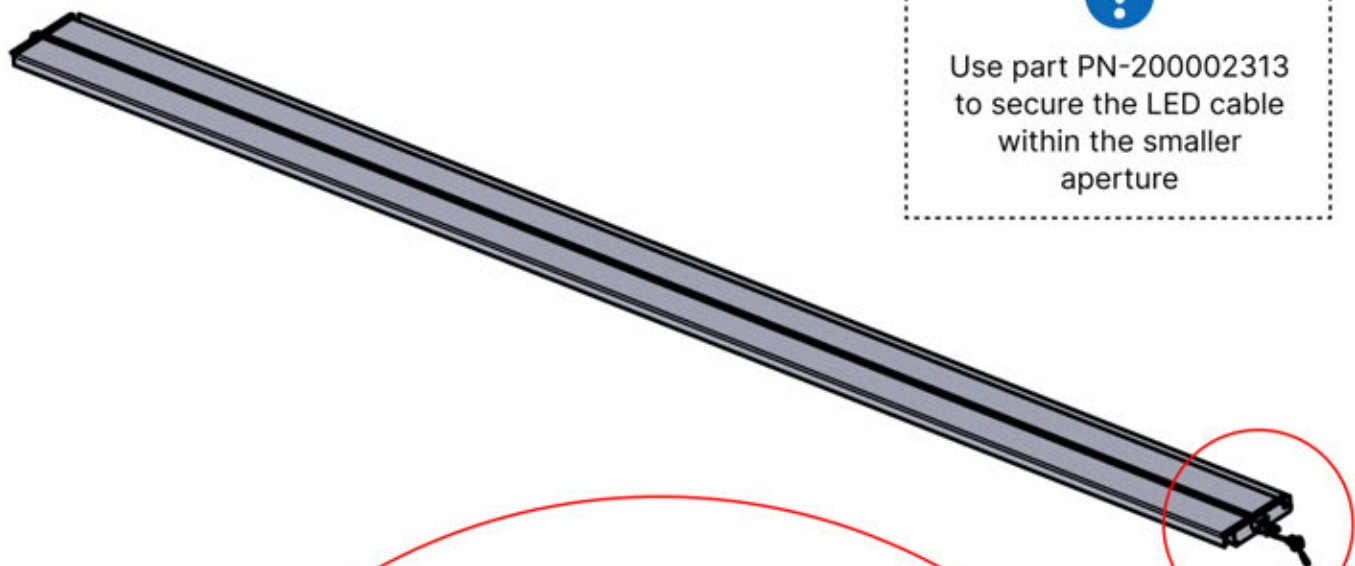
5

ANTHRACITE: L251
WHITE: L255
BLACK: L253

 PN-200003536
6x




Use part PN-200002313
to secure the LED cable
within the smaller
aperture




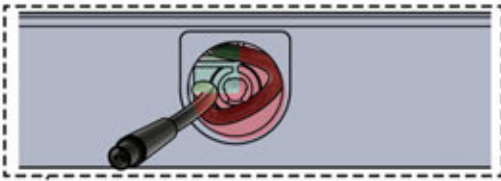
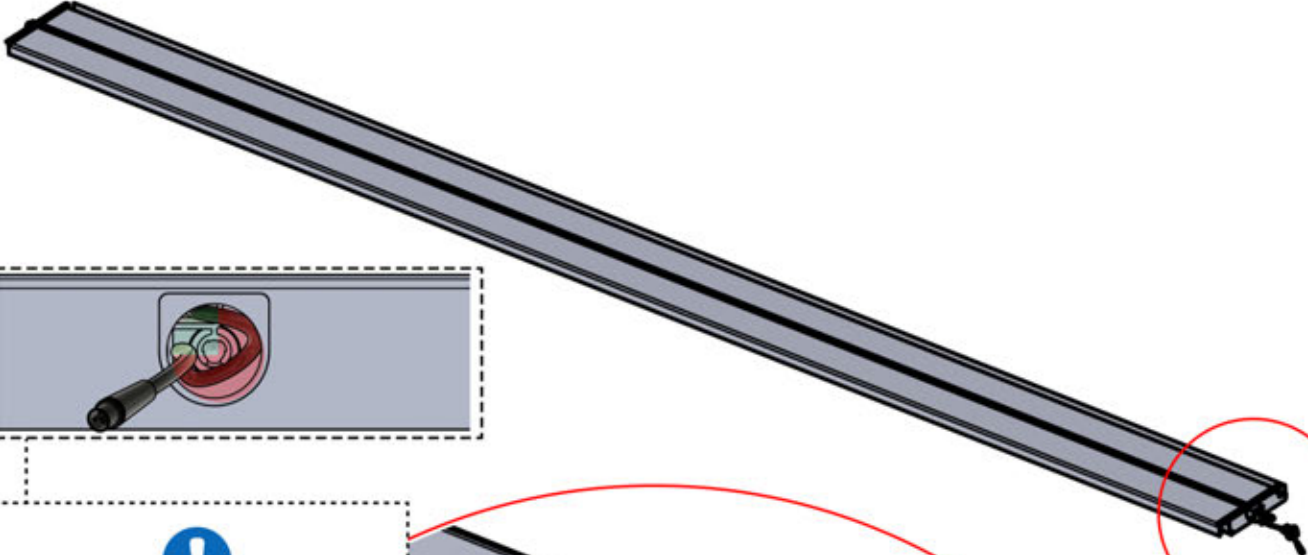

47


x3
PERGOLUX
PERGOLUX
PERGOLUX

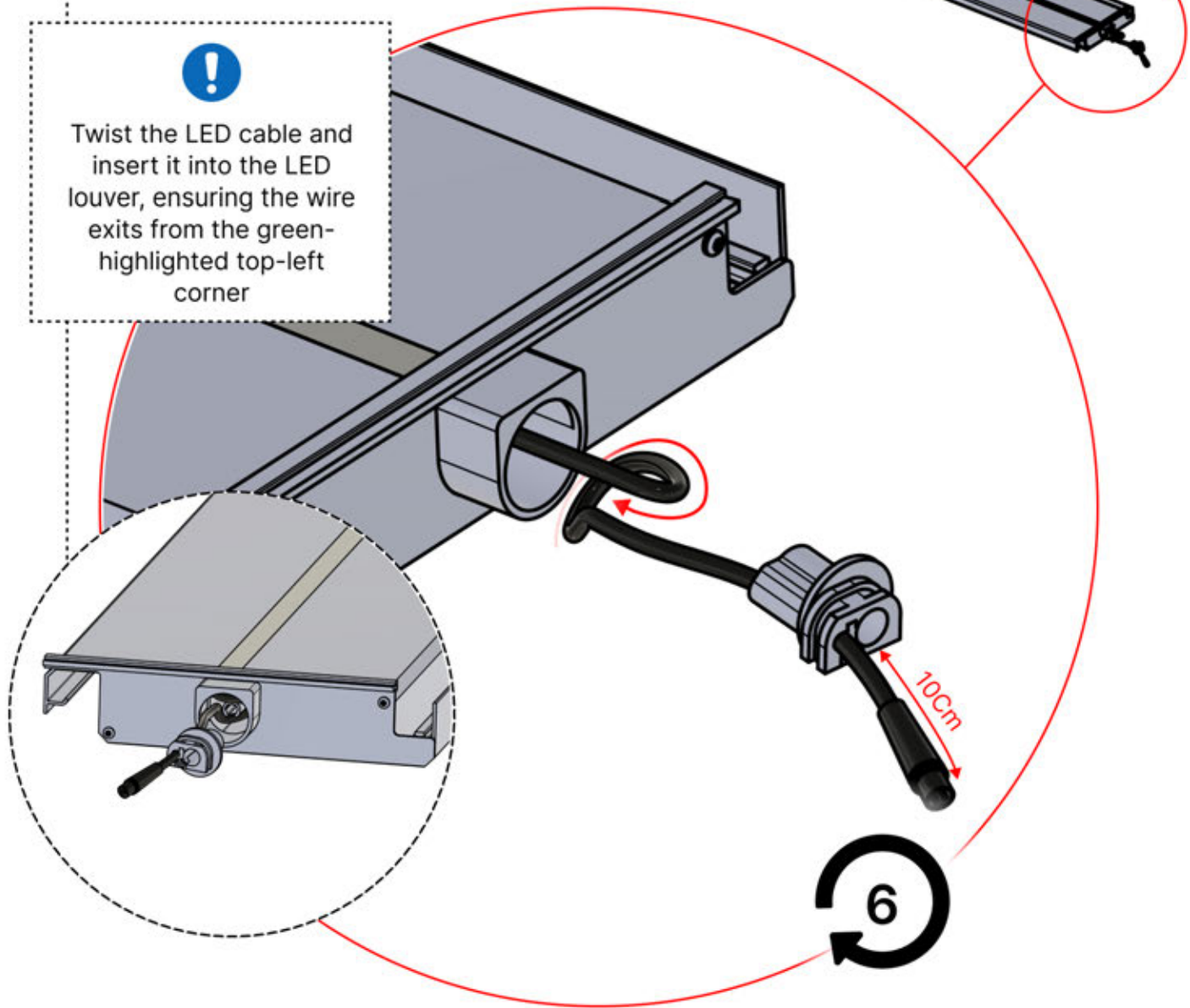
5

ANTHRACITE: L251
WHITE: L255
BLACK: L253

 PN-200003536
6x




Twist the LED cable and insert it into the LED louver, ensuring the wire exits from the green-highlighted top-left corner



10cm


6

48

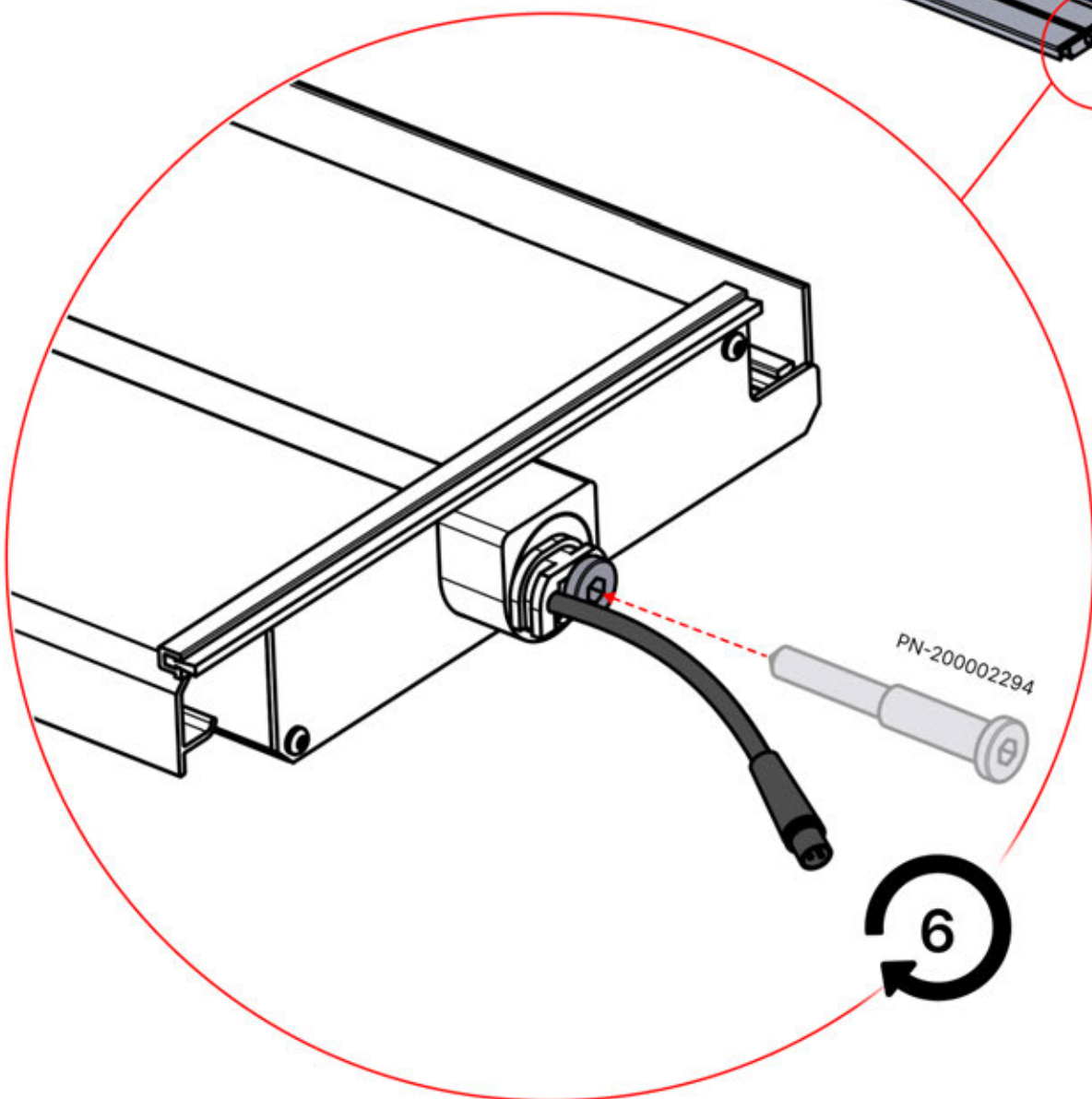
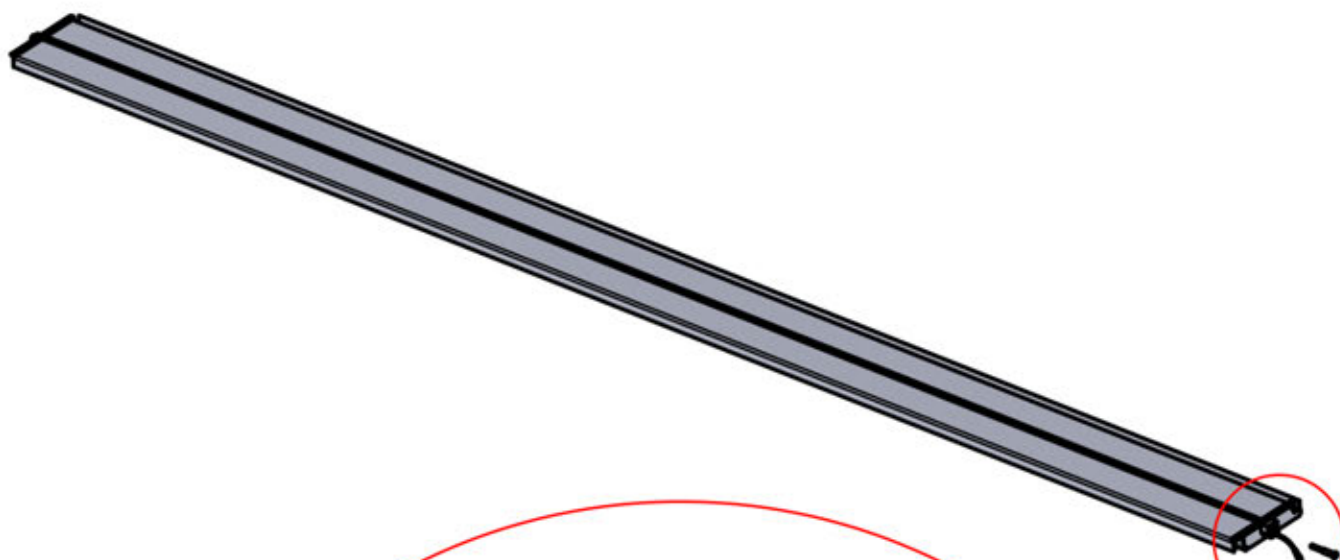

x3
PERGOLUX
PERGOLUX
PERGOLUX

5







ANTHRACITE: L251
WHITE: L255
BLACK: L253

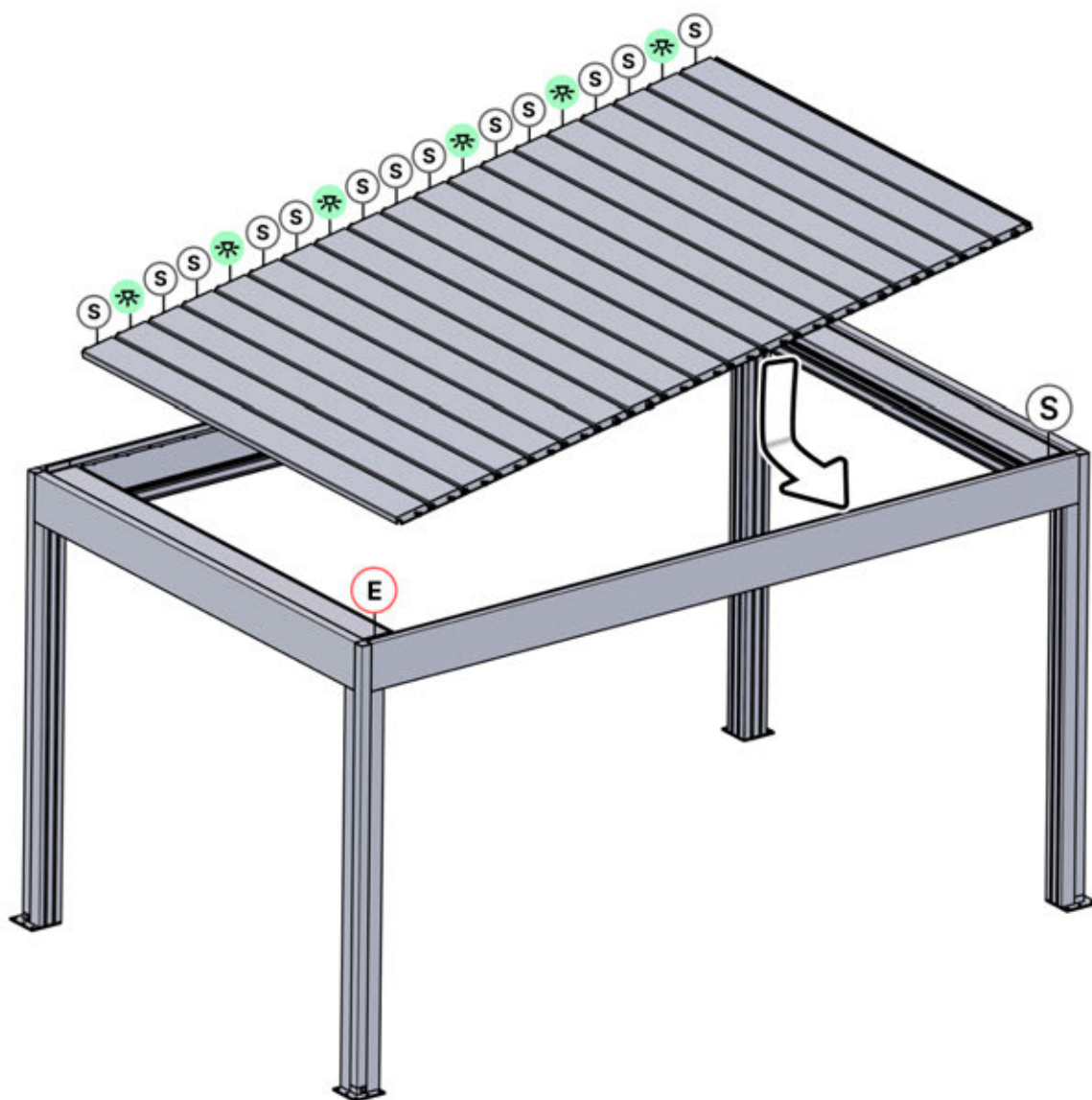


PN-200003536
6x



49

		
		
PN-200003532  L239 L243 L241 14x	PN-200003536  L251 L255 L253 6x	PN-200003534  L263 L267 L265 1x



50

x7
PERGOLUX

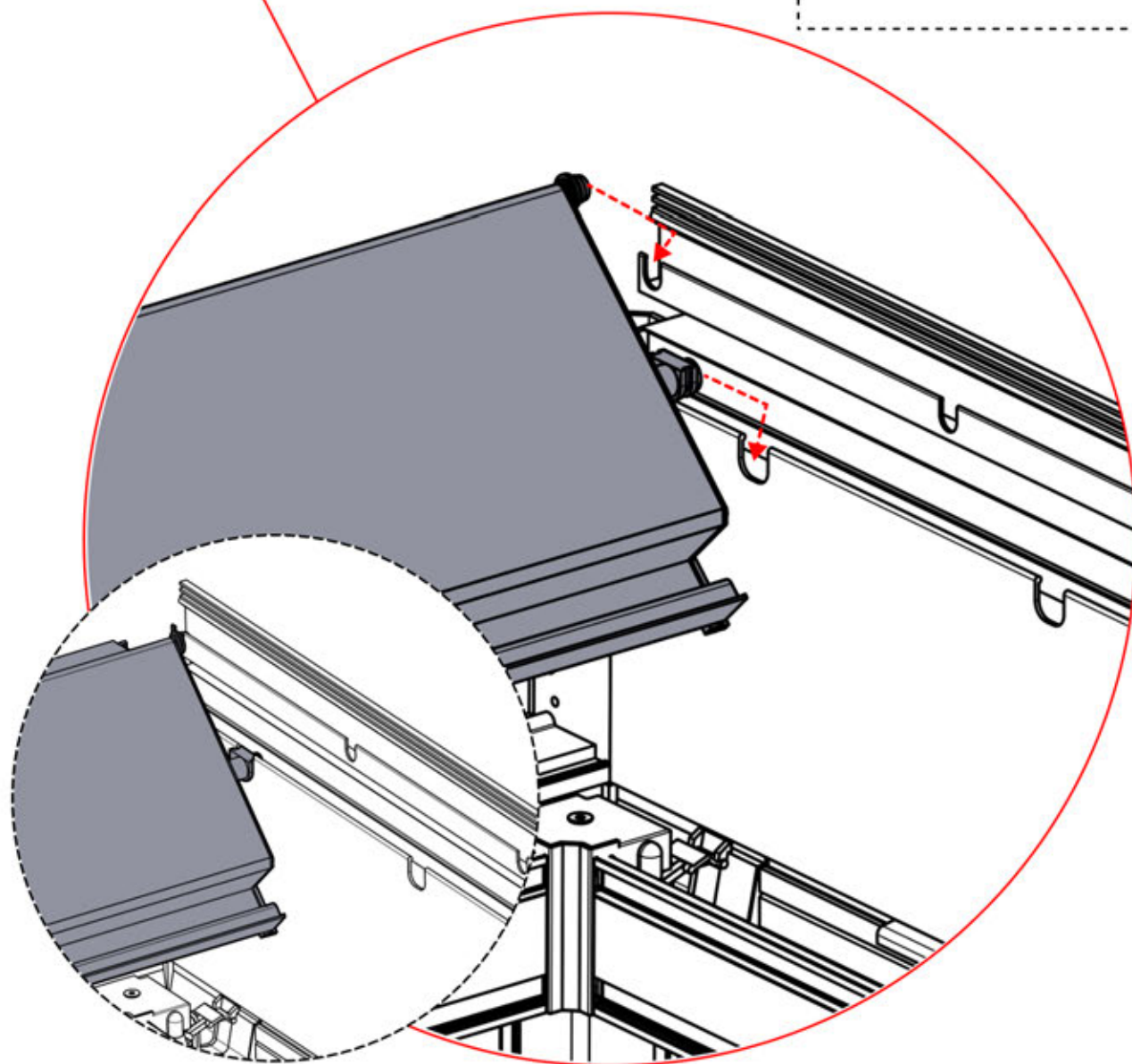
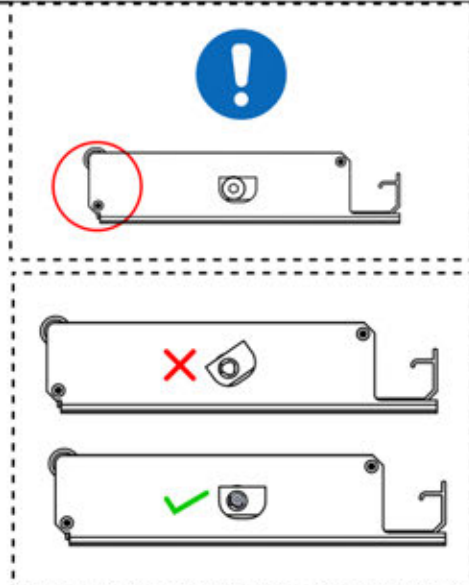
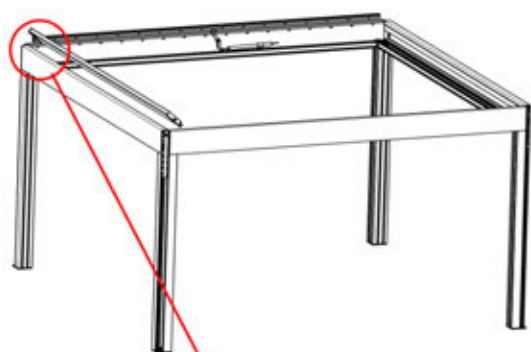
4

ANTHRACITE: L263
WHITE: L267
BLACK: L265

E

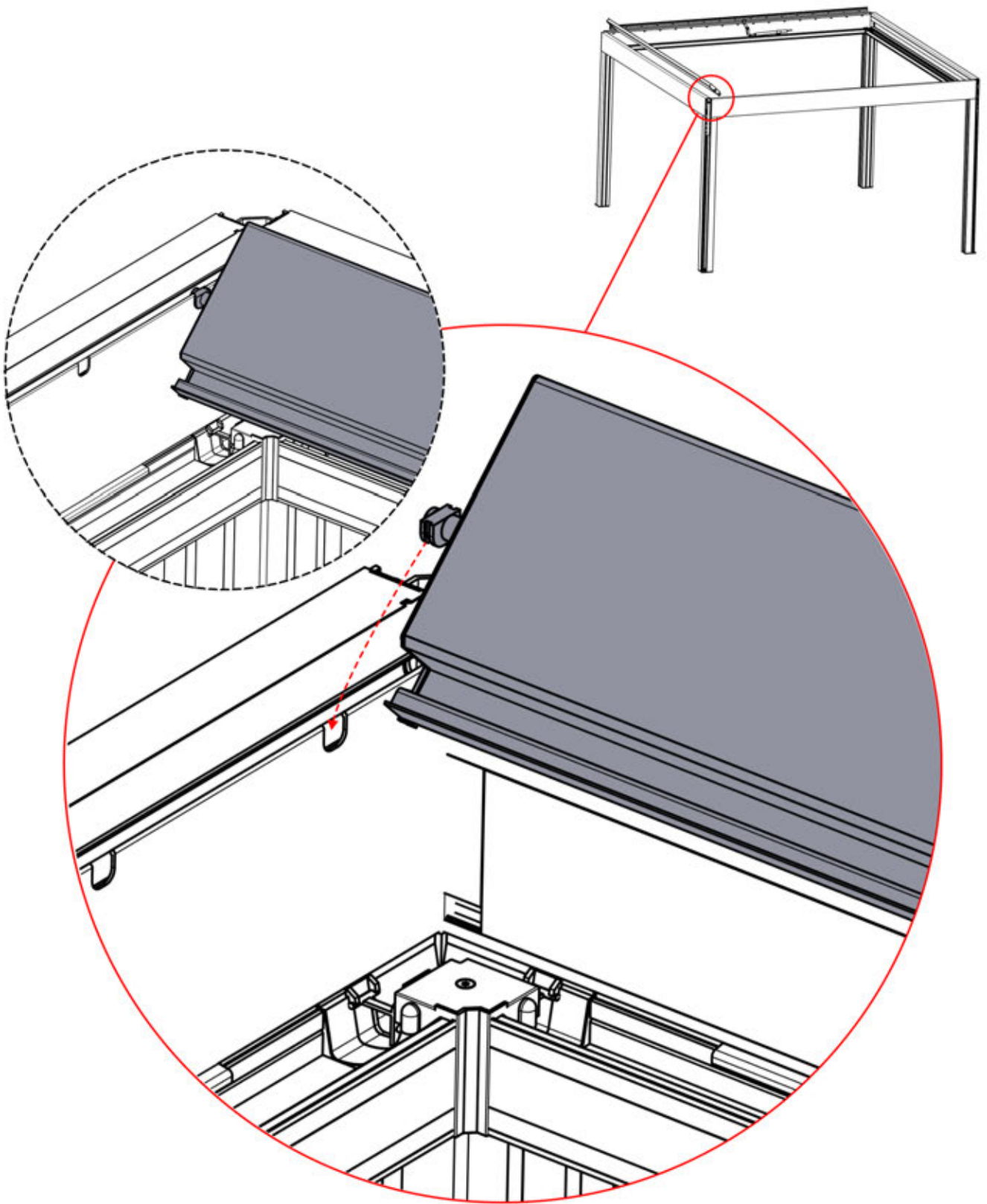
PN-200003534

1x



51

	4	 PN-200003534 1x
ANTHRACITE:	L263	
WHITE:	L267	
BLACK:	L265	

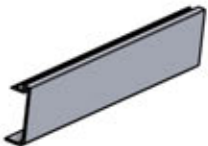


52

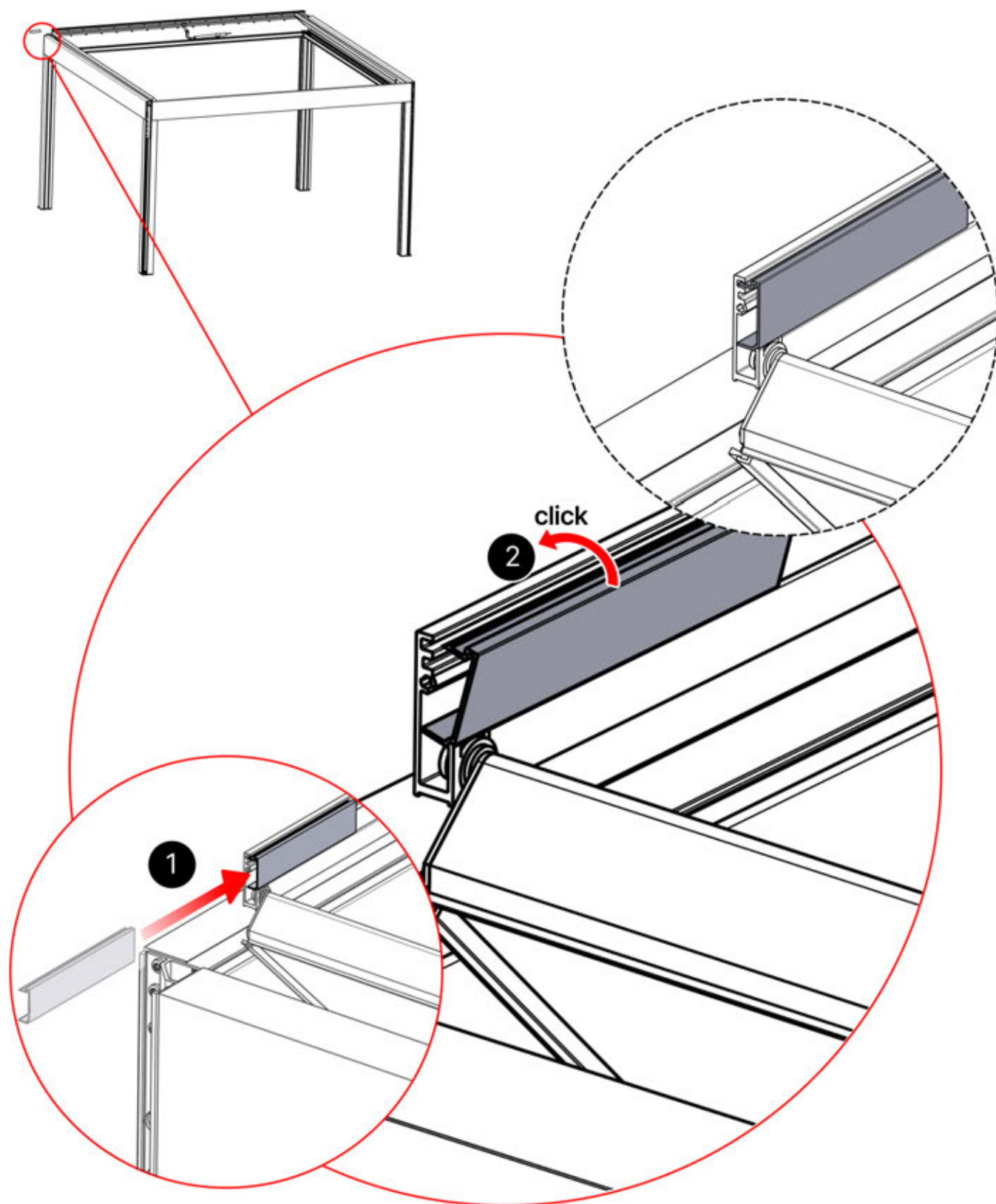
x1
FERGOLUX

6

ANTHRACITE: L239
WHITE: L243
BLACK: L241



PN-200003033
1X



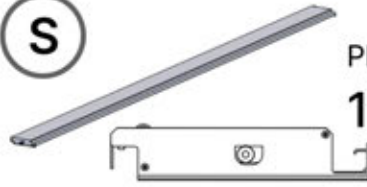
53



6

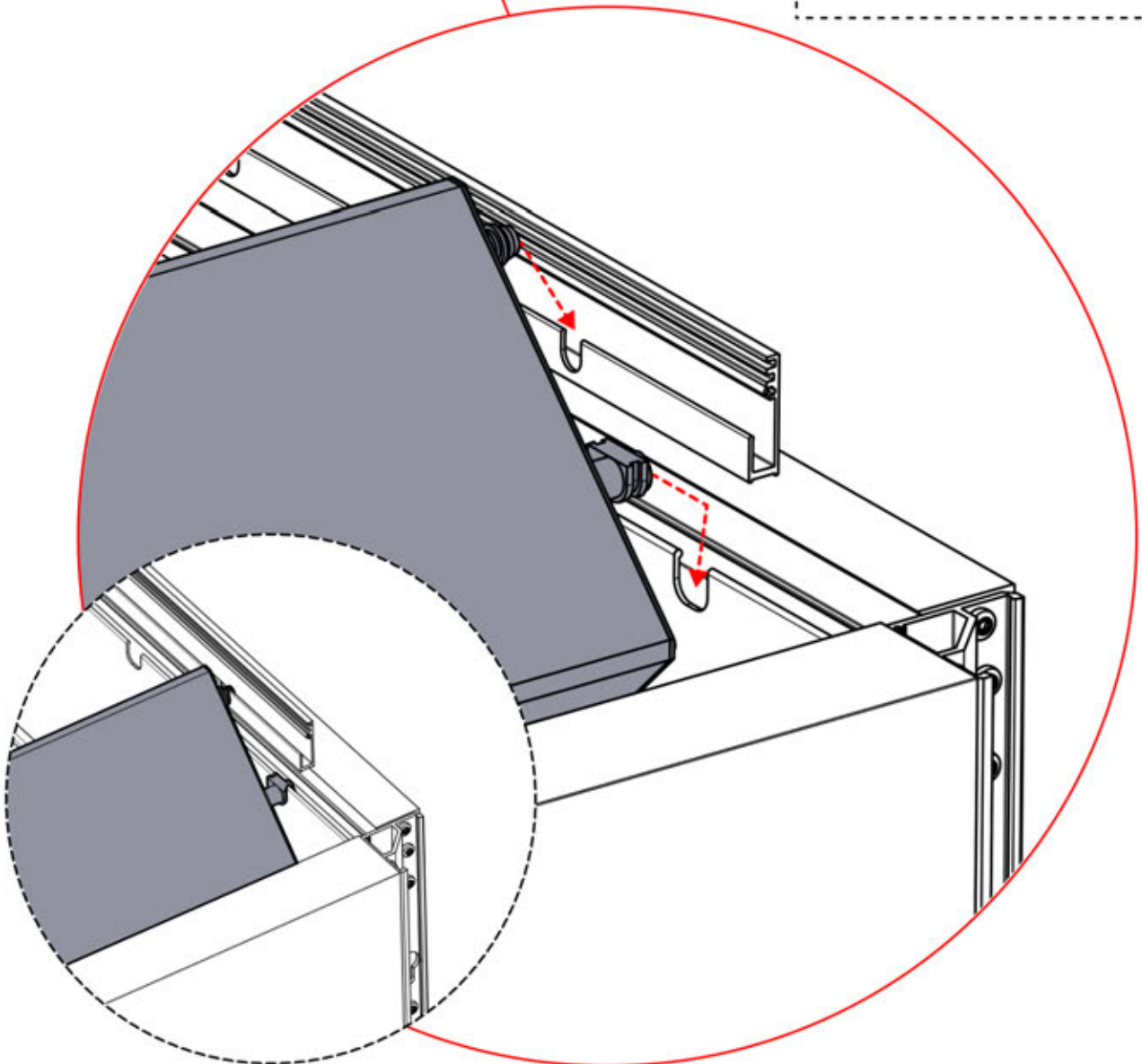
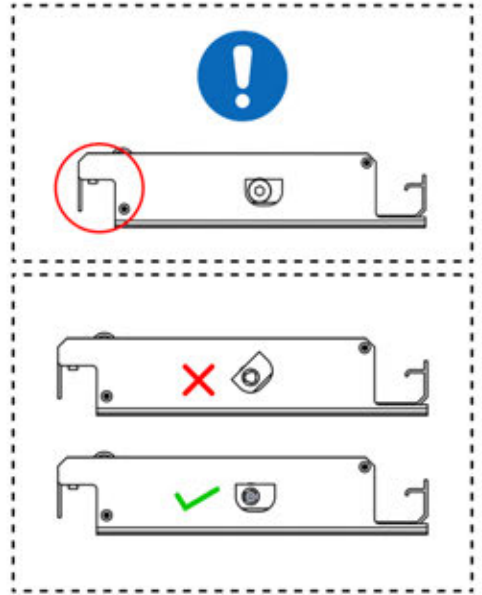
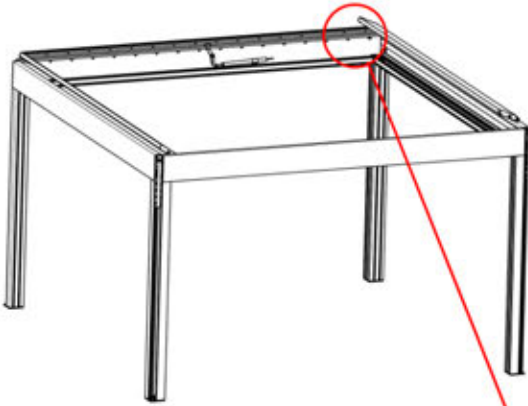
ANTHRACITE: L239
WHITE: L243
BLACK: L241

S



PN-200003532

1x



54

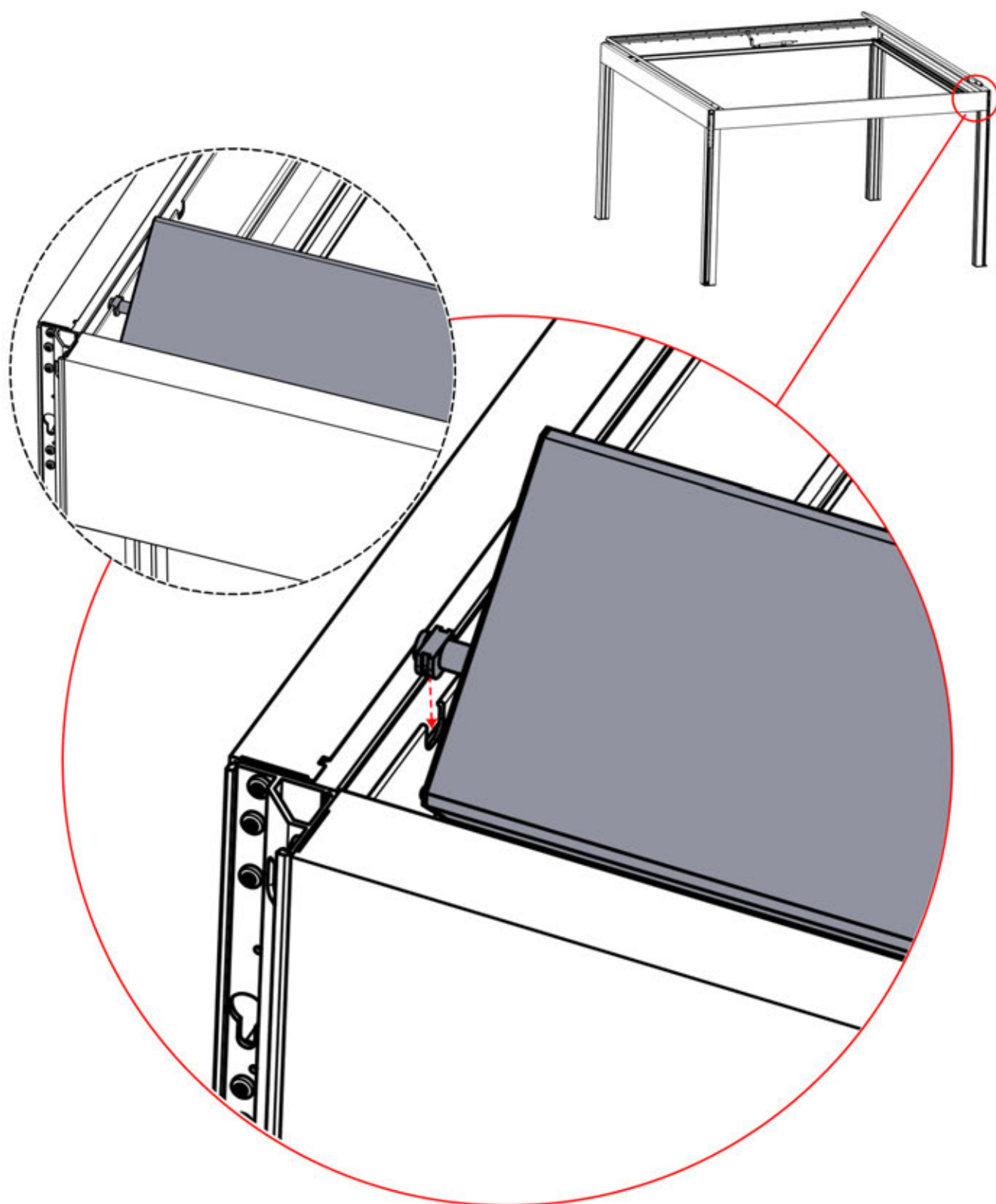
x1
PERGOLUX

6

ANTHRACITE: L239
WHITE: L243
BLACK: L241

S

PN-200003532
1x

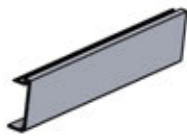


55

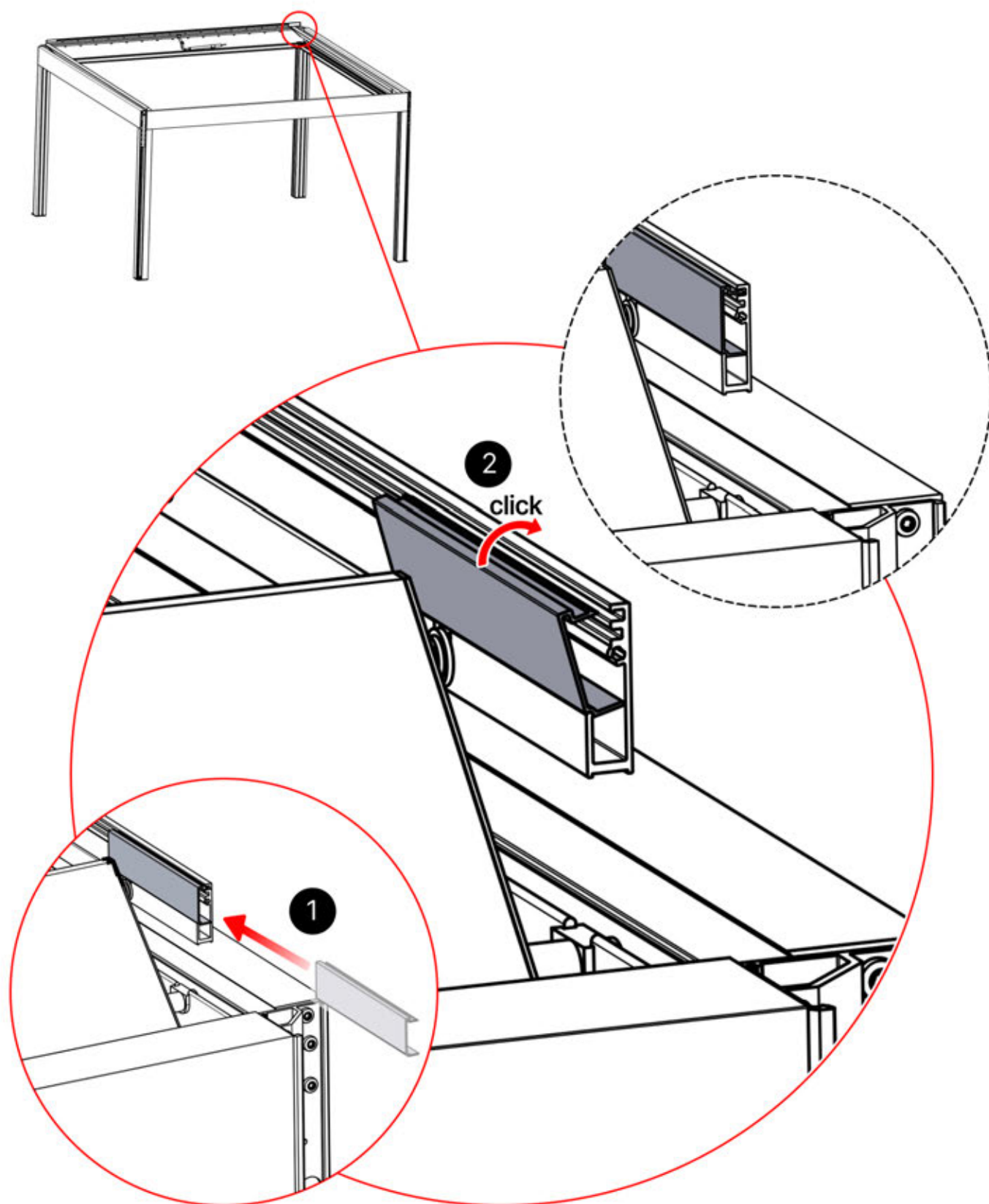
x1
FERGOLUX

6

ANTHRACITE: L239
WHITE: L243
BLACK: L241



PN-200003033
1X



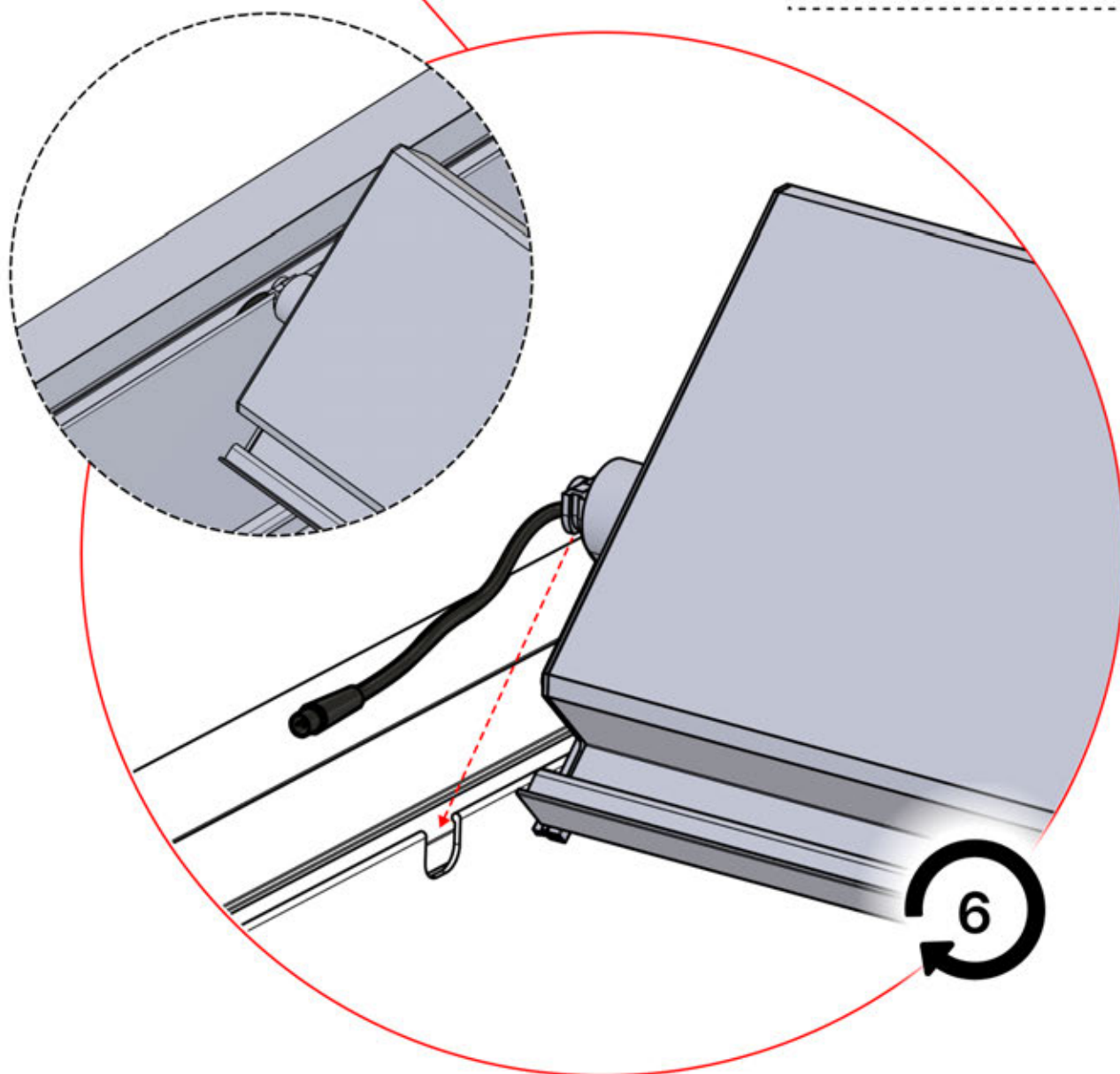
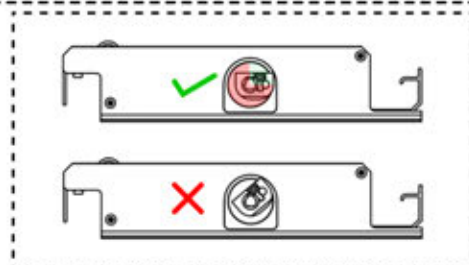
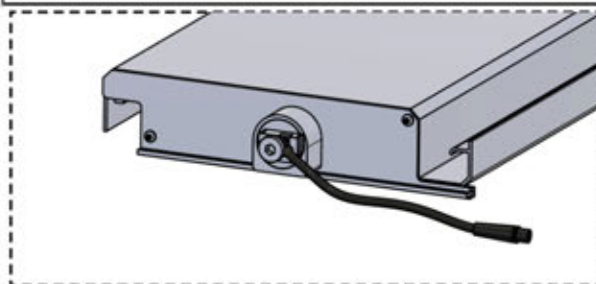
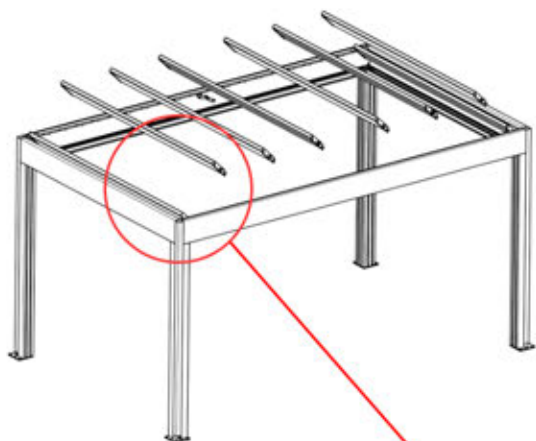
56

x3
PERGOLUX
PERGOLUX
PERGOLUX

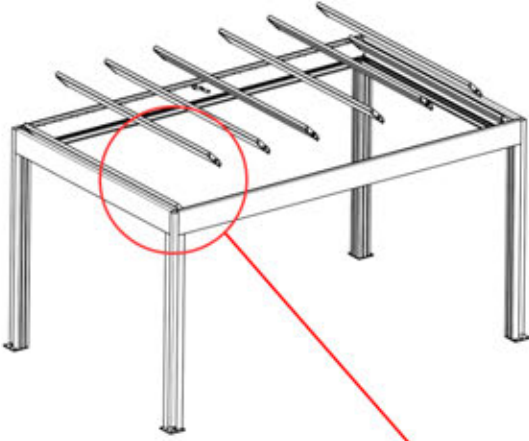
5

ANTHRACITE: L251
WHITE: L255
BLACK: L253

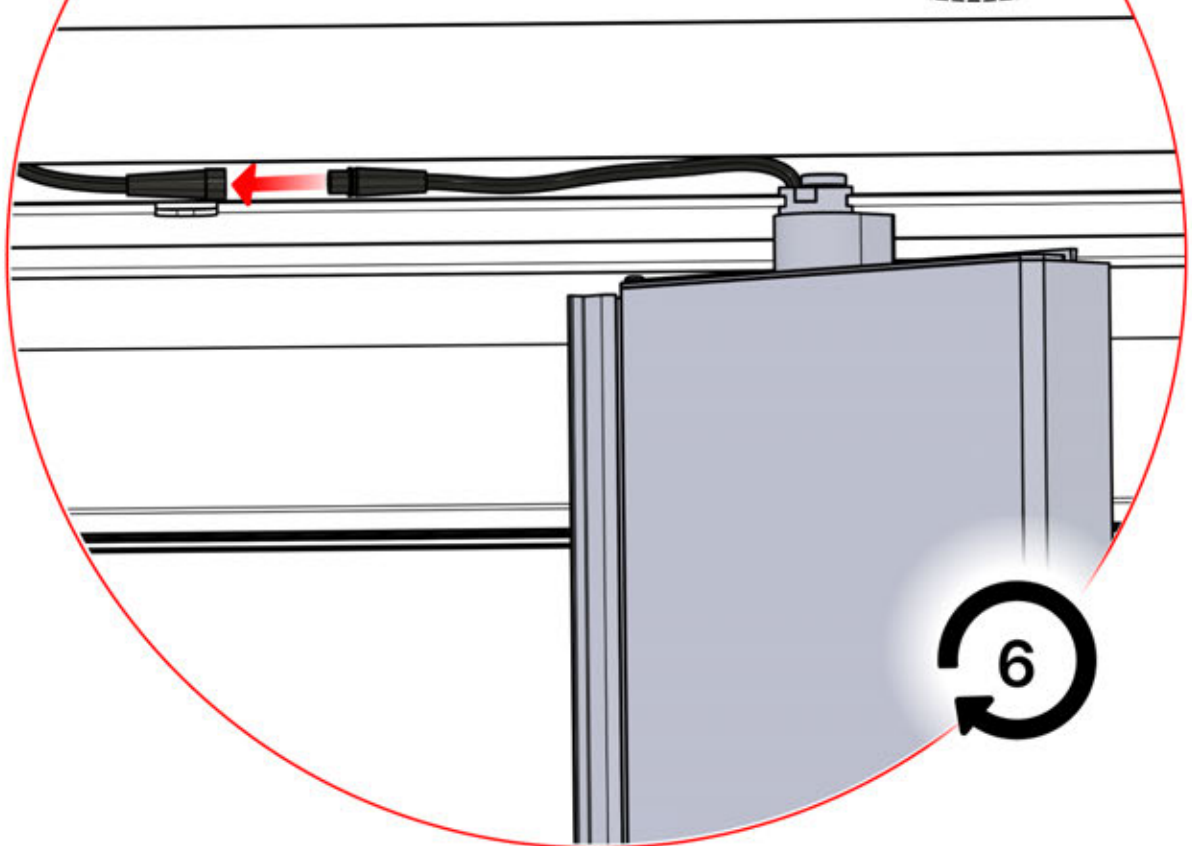
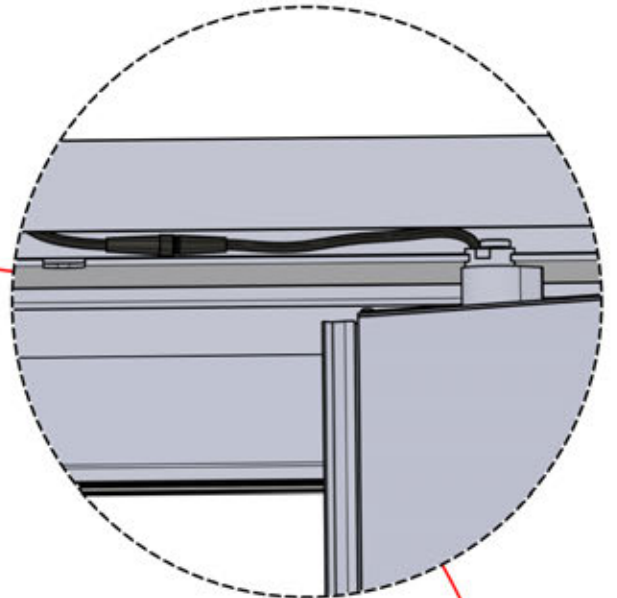
 PN-200003536
6x



57




Connect the LED
cable to the 4-pin LED
wire



58

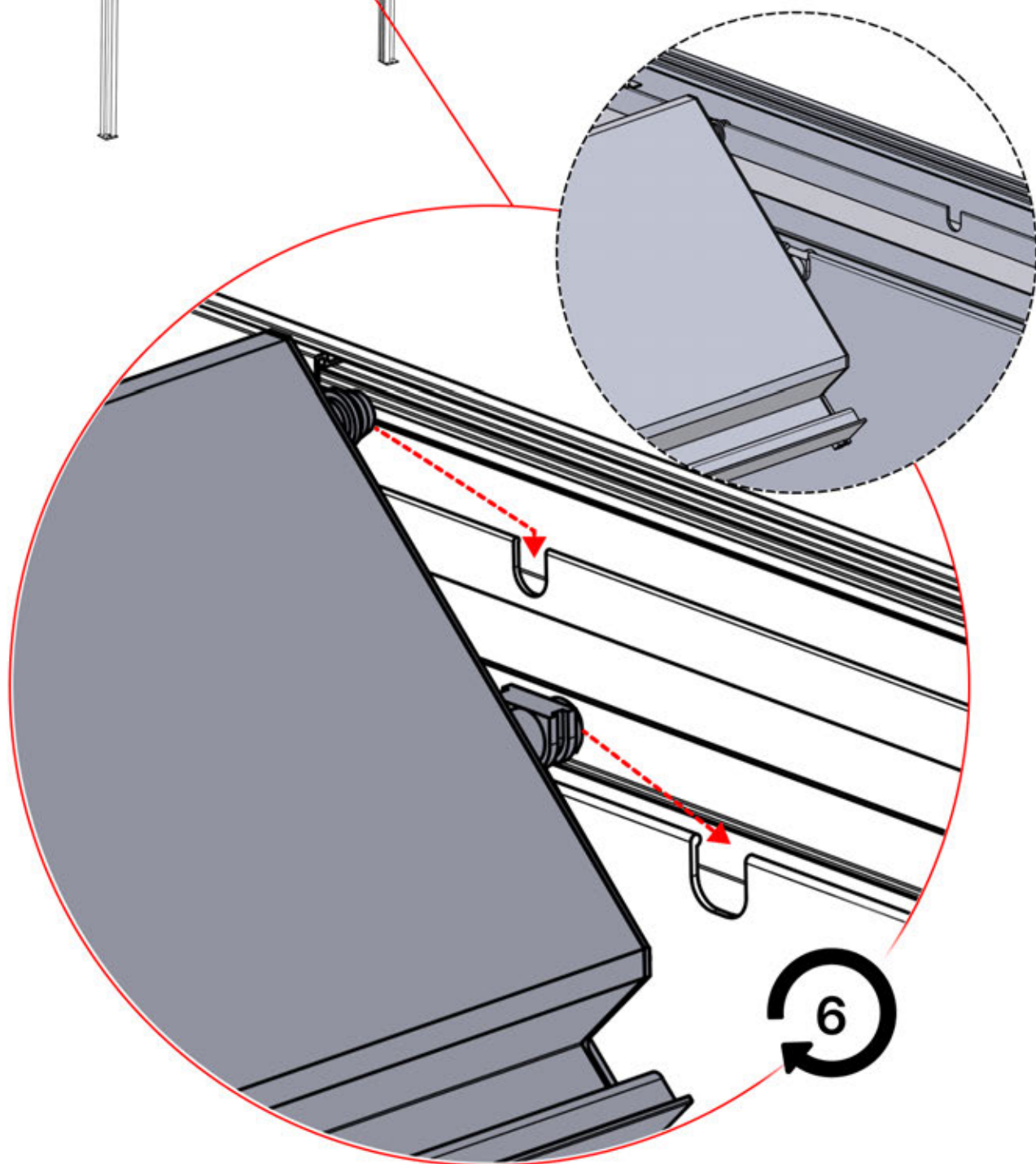
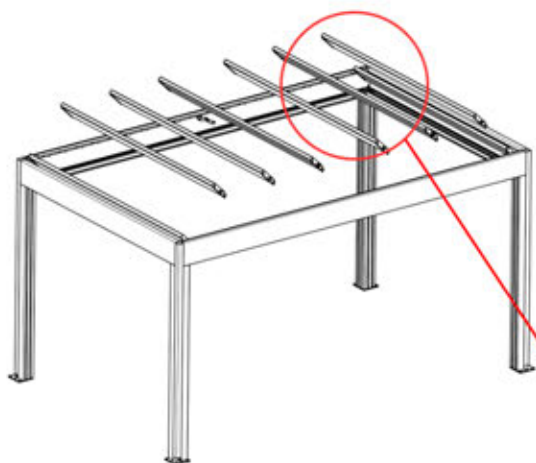
x3
PERGOLUX
PERGOLUX
PERGOLUX

5


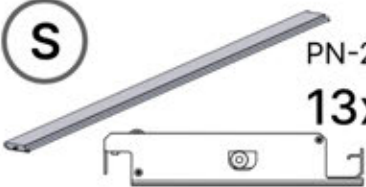


ANTHRACITE: L251
WHITE: L255
BLACK: L253

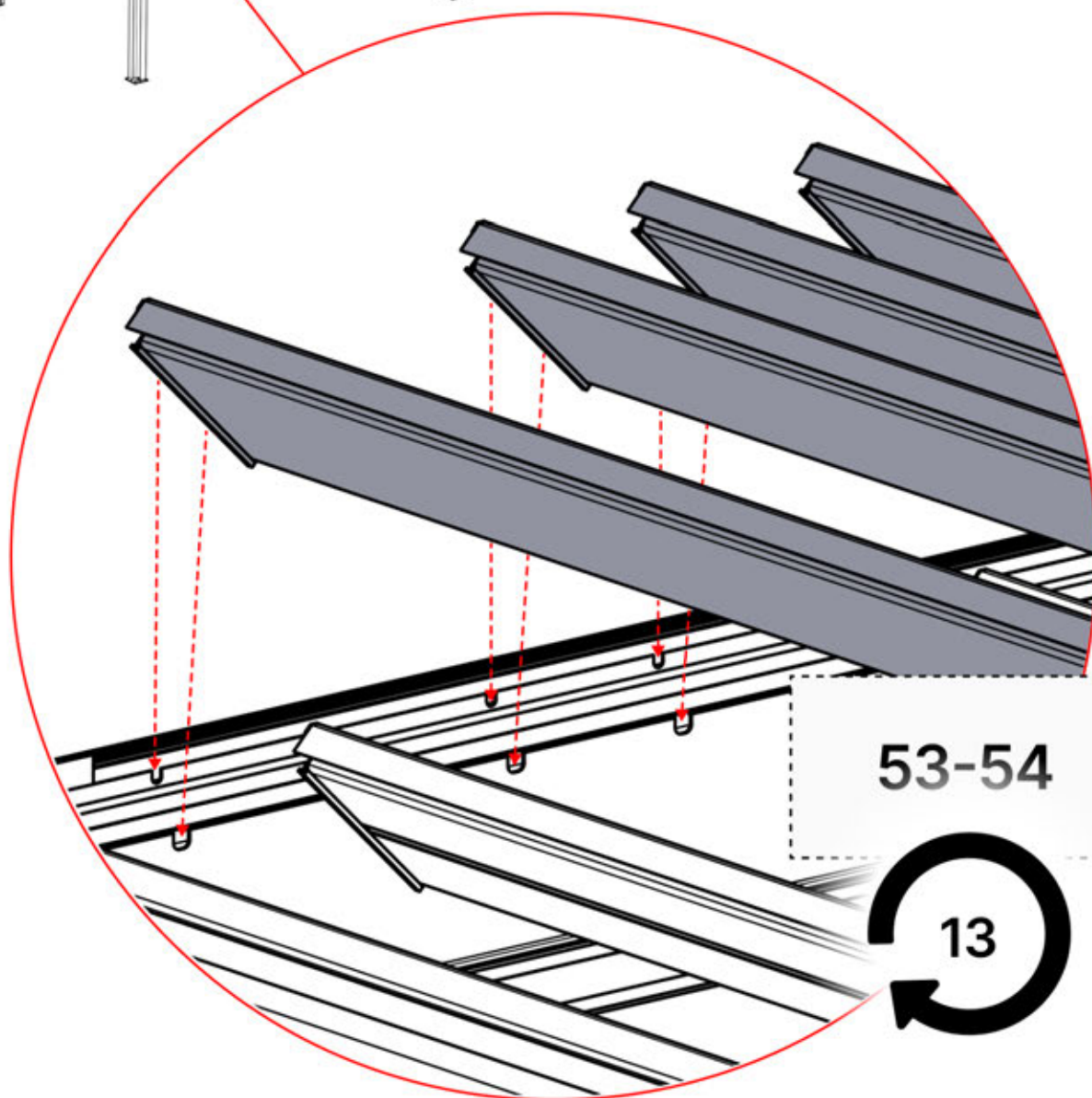
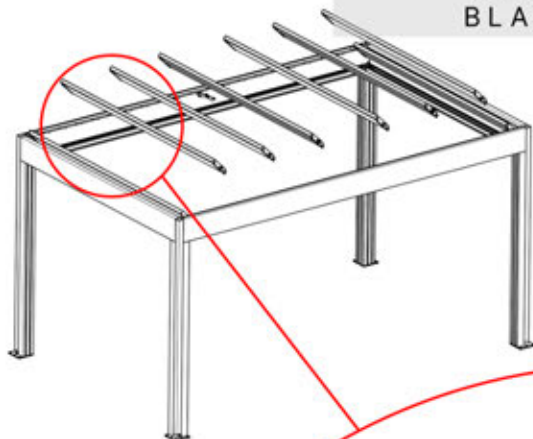


PN-200003536
6x



59

 <p>x1 PERGOLUX</p>	4	 <p>PN-200003532 13x</p>	
<p>ANTHRACITE: L263 WHITE: L267 BLACK: L265</p>			
 <p>x3 PERGOLUX PERGOLUX PERGOLUX</p>	5	 <p>x1 PERGOLUX</p>	6
<p>ANTHRACITE: L251 WHITE: L255 BLACK: L253</p>		<p>ANTHRACITE: L239 WHITE: L243 BLACK: L241</p>	



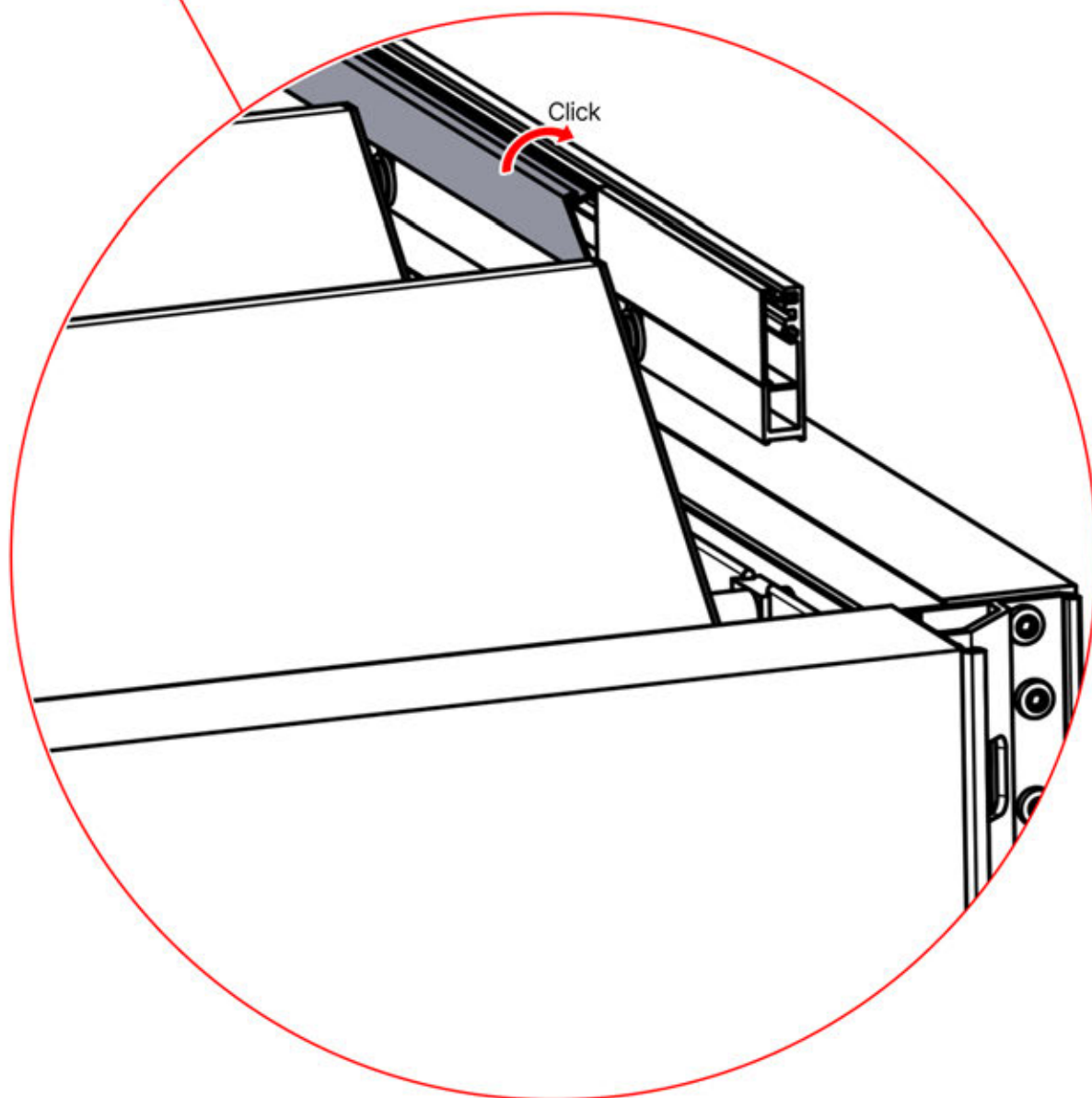
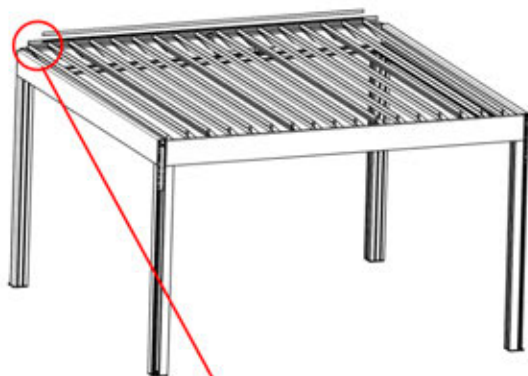

60

x1
PERGOLUX

2

ANTHRACITE: B285
WHITE: B289
BLACK: B293

PN-200002493
1x




61

x1
FERGOLUX

6

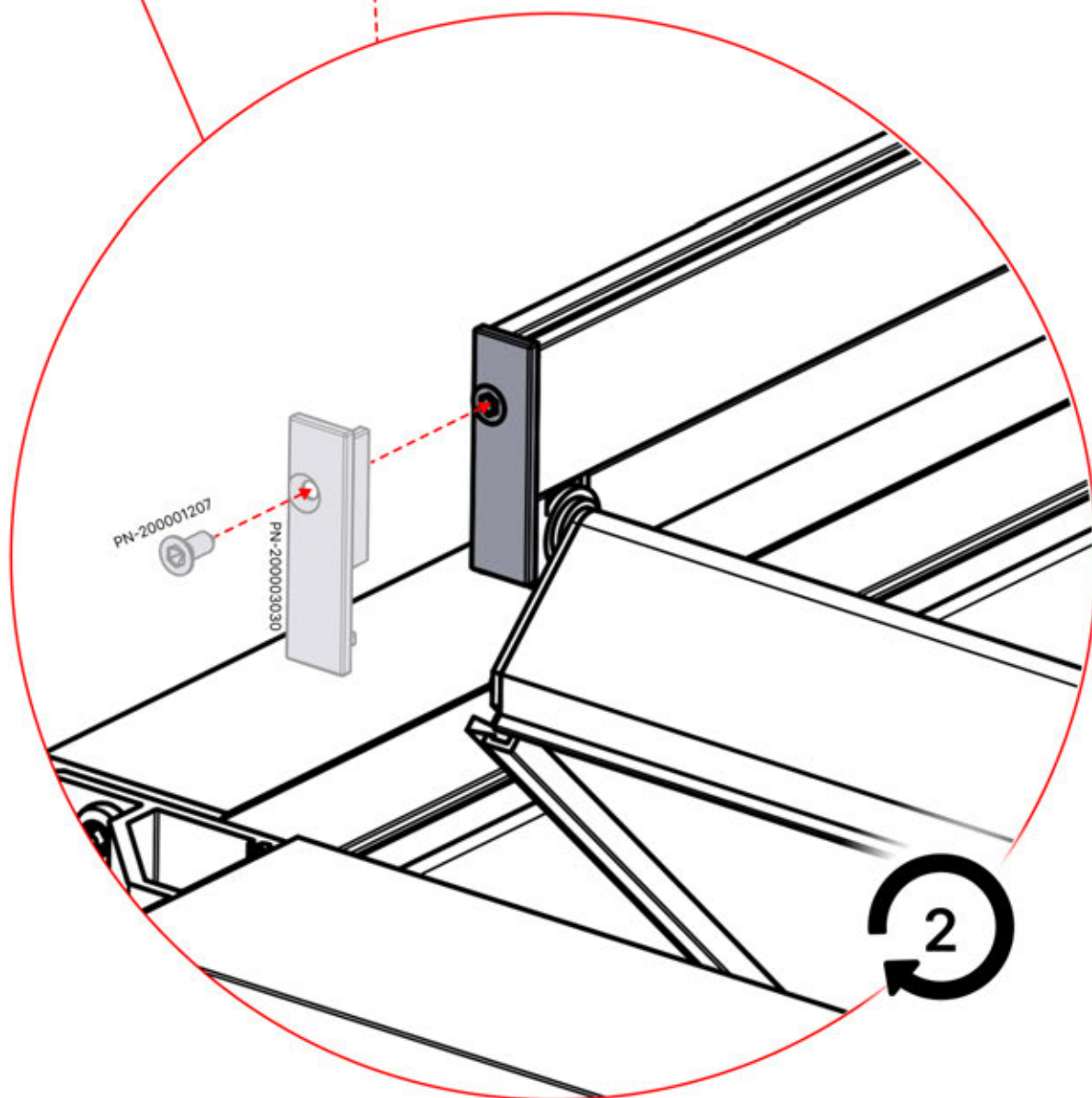
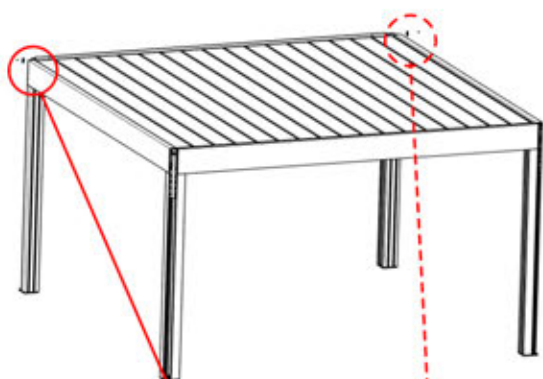
ANTHRACITE: L239
WHITE: L243
BLACK: L241



PN-200003030
1x

PN-200003031
1x

PN-200001207
2x



62

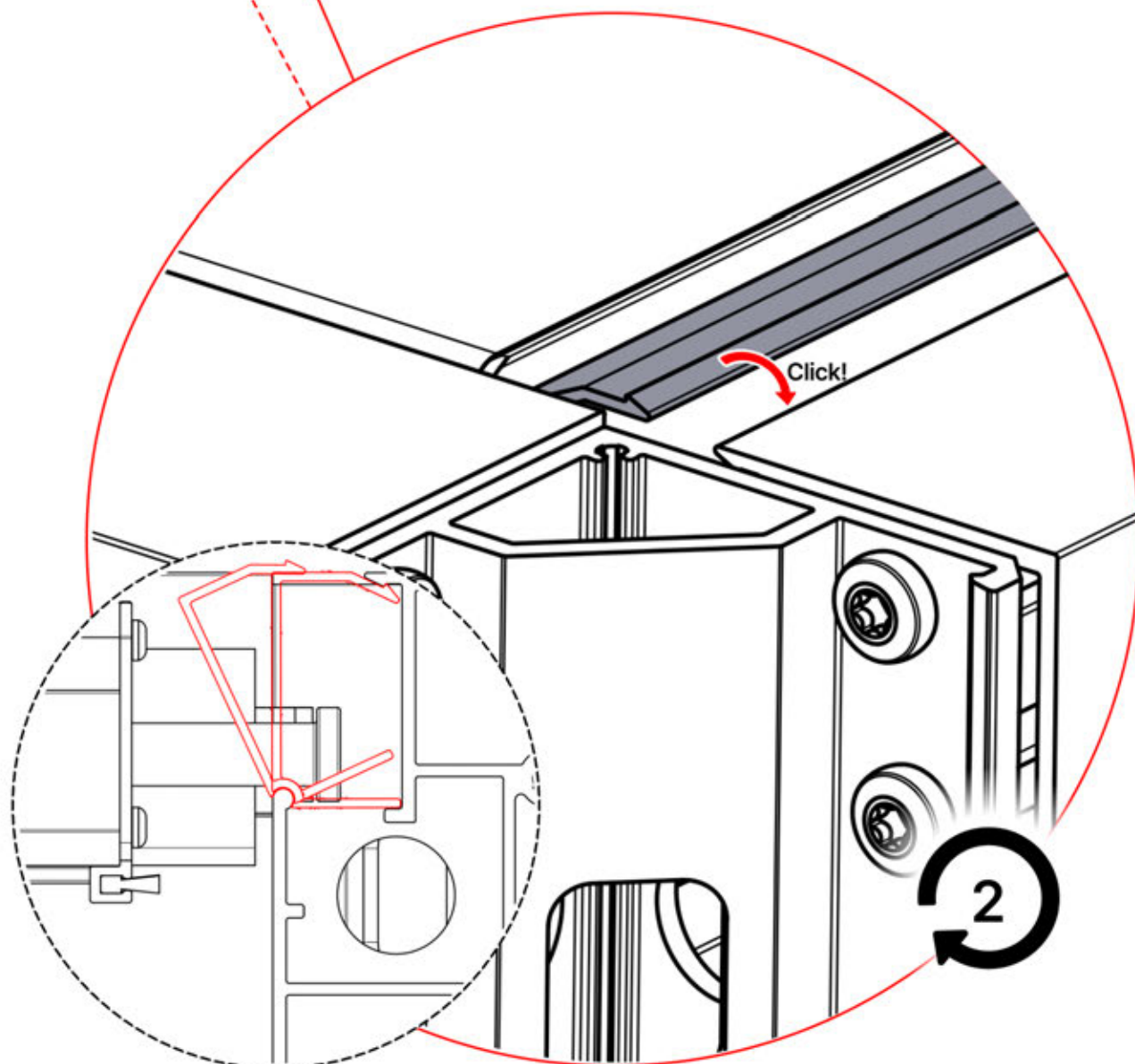
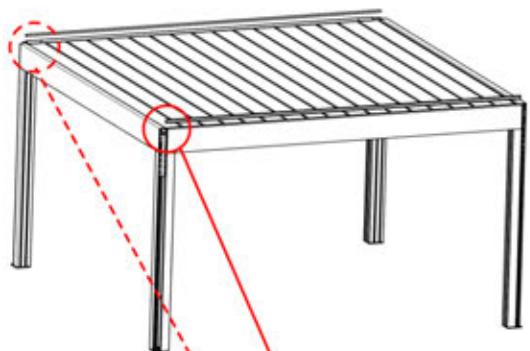
x1
PERGOLUX

2


ANTHRACITE: B285
WHITE: B289
BLACK: B293

PN-200002474
1x

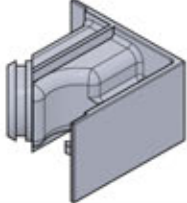
PN-200002470
1x

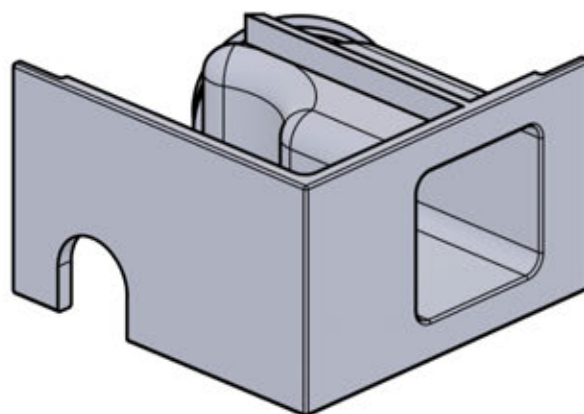
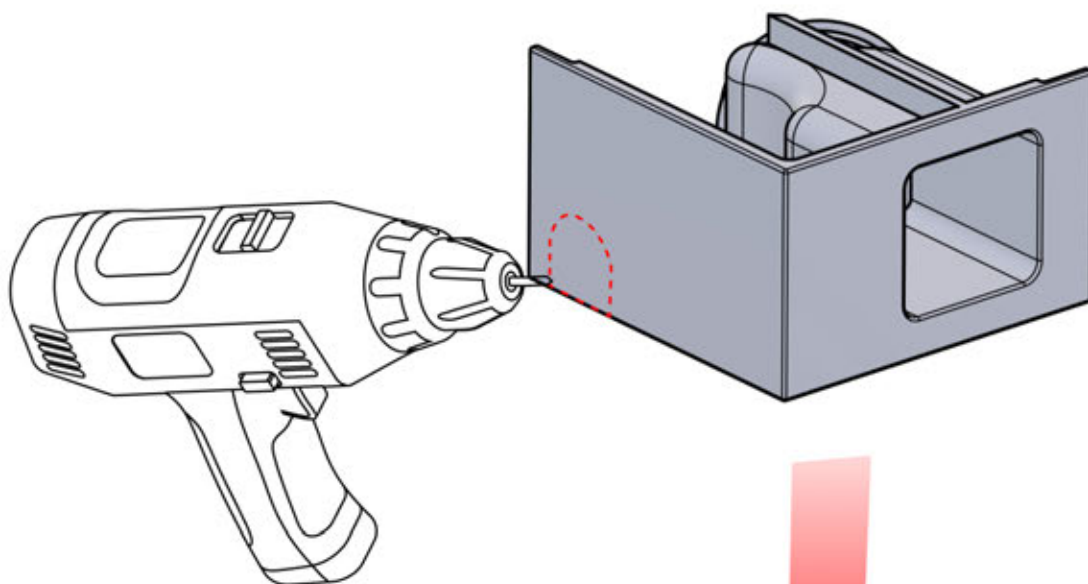


INFORMATION

 **6**

ANTHRACITE: L239
WHITE: L243
BLACK: L241

 PN-200002303
4x



Select one of the four PN-200002303 parts and drill a 10 mm diameter hole to accommodate the power cable.

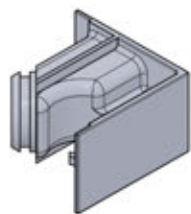
This specific part must be assembled to the corner pole as illustrated in step 64


63

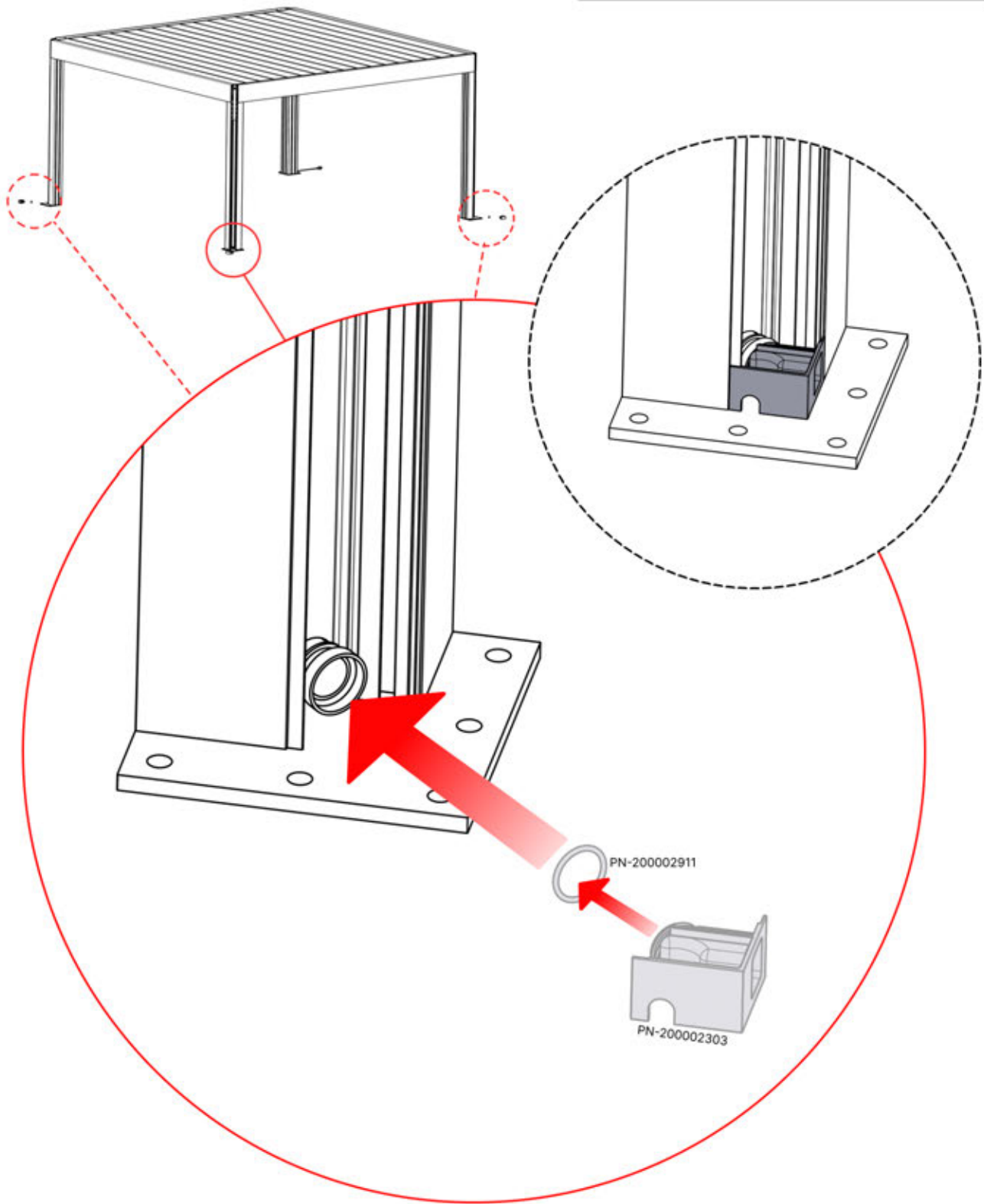
x7
PERGOLUX

6

ANTHRACITE: L239
WHITE: L243
BLACK: L241

 PN-200002303
4x

 PN-200002911
4x

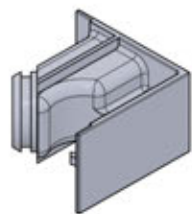


64

x7
PERGOLUX

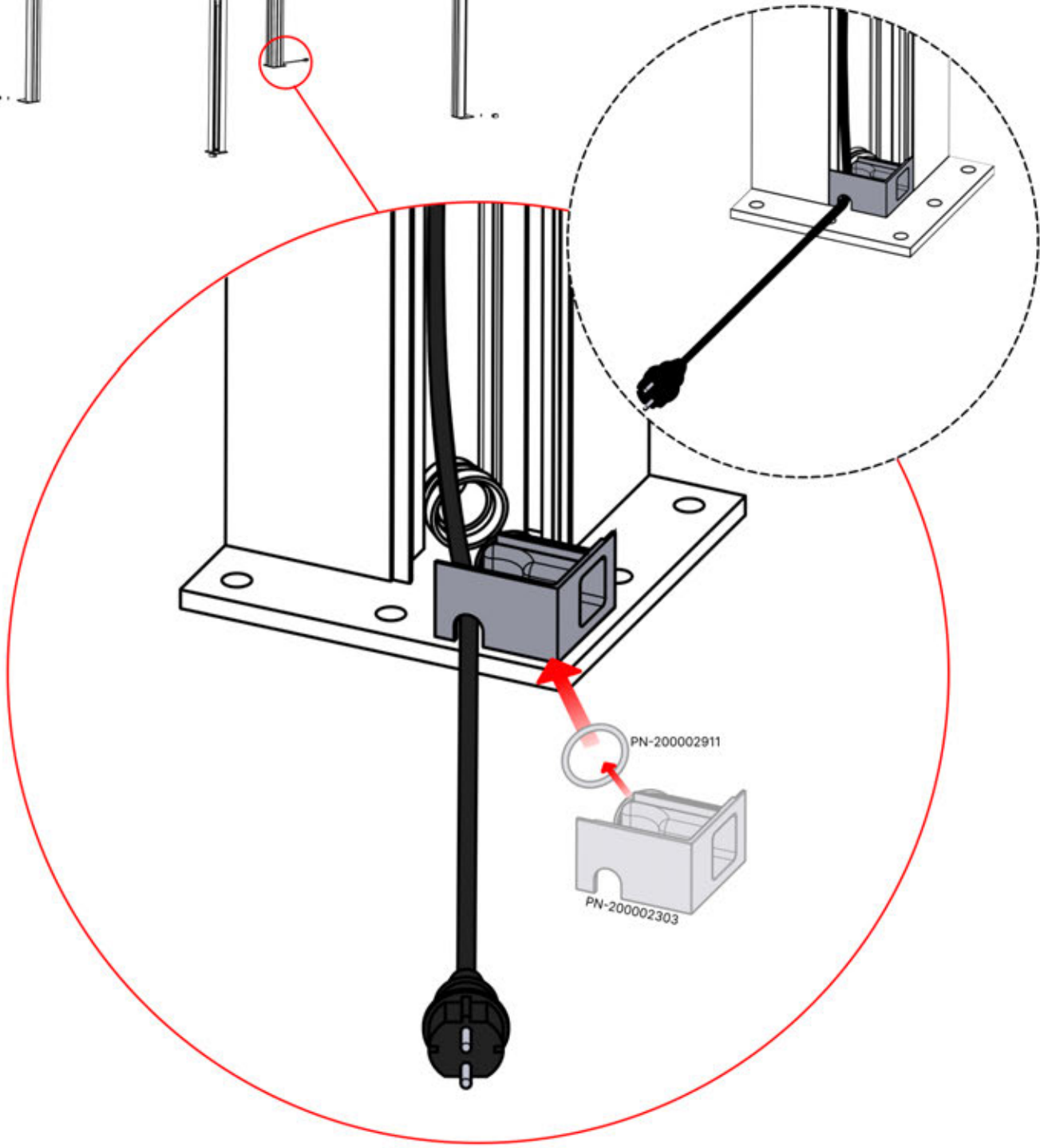
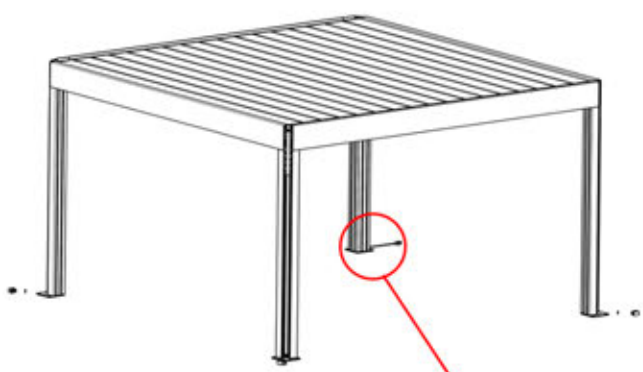
6

ANTHRACITE: L239
WHITE: L243
BLACK: L241



PN-200002303
4x

PN-200002911
4x



65


x2
PERGOLUX
PERGOLUX


1


ANTHRACITE: C126
WHITE: C127
BLACK: C128

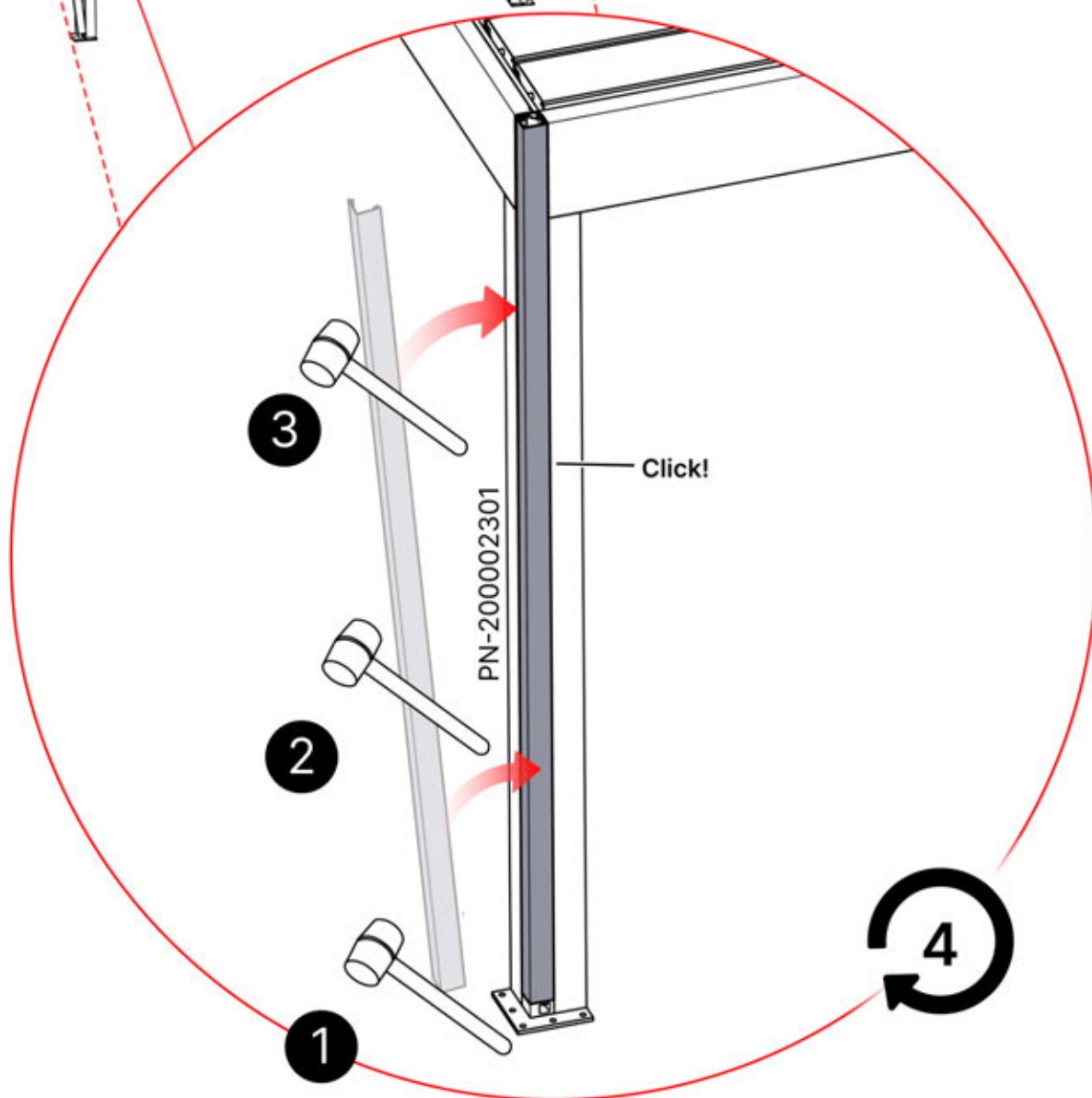
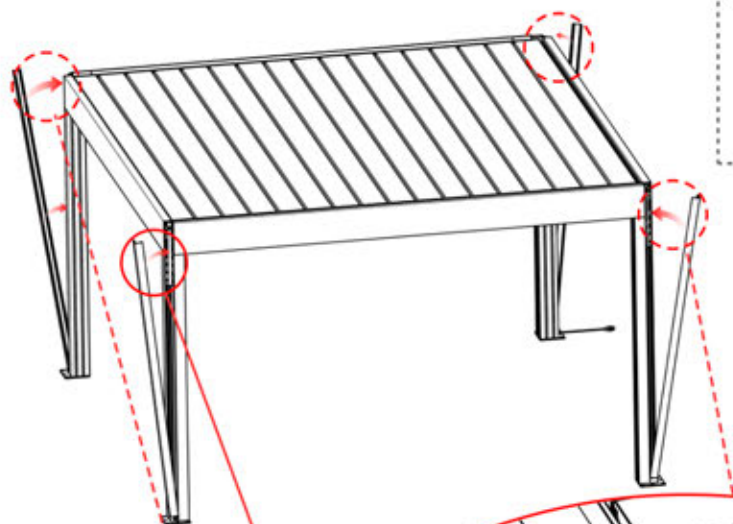
PN-200002301
4x











3

2

1

4

Click!


PN-200002301

66

x7
PERGOLUX

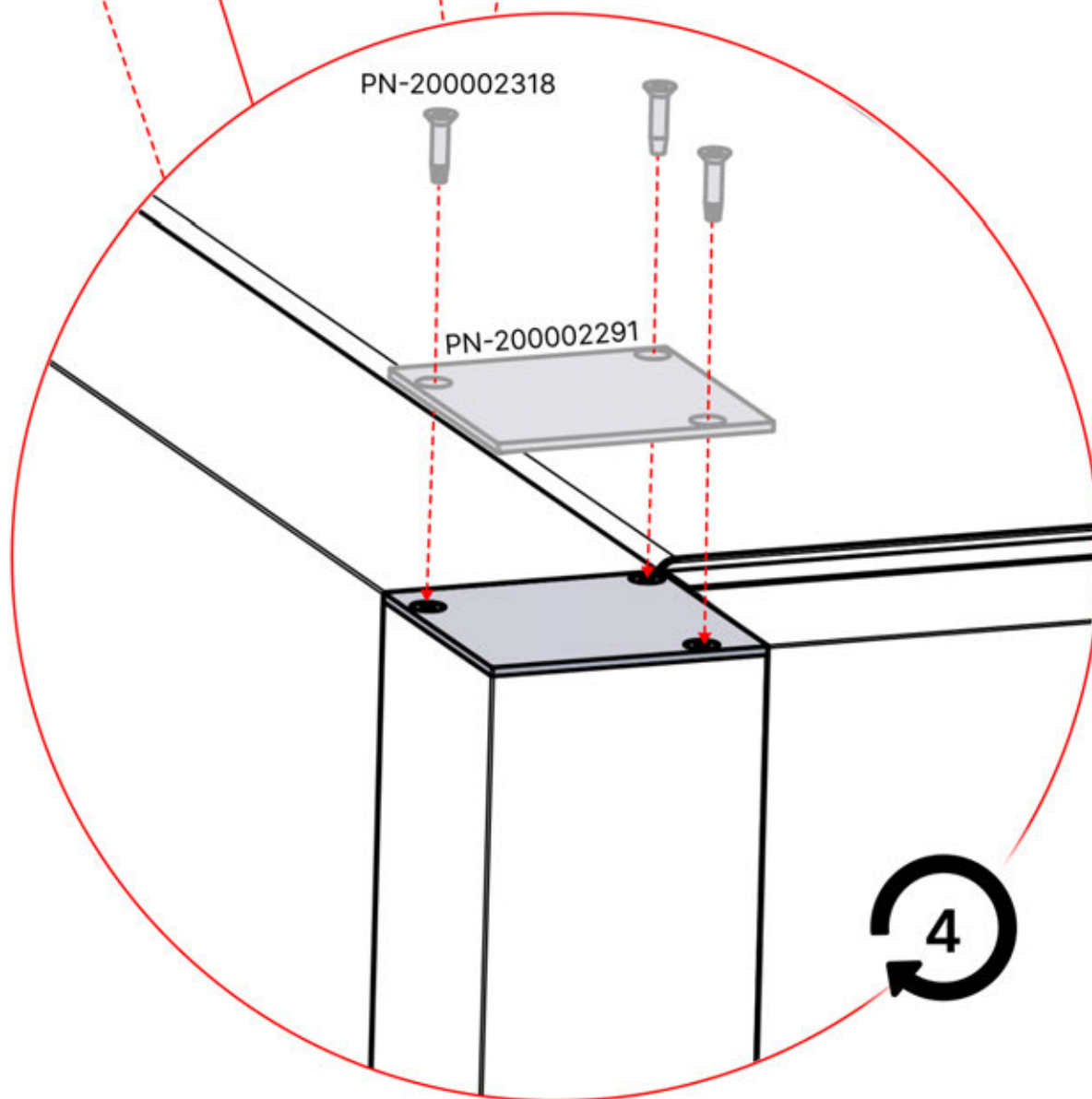
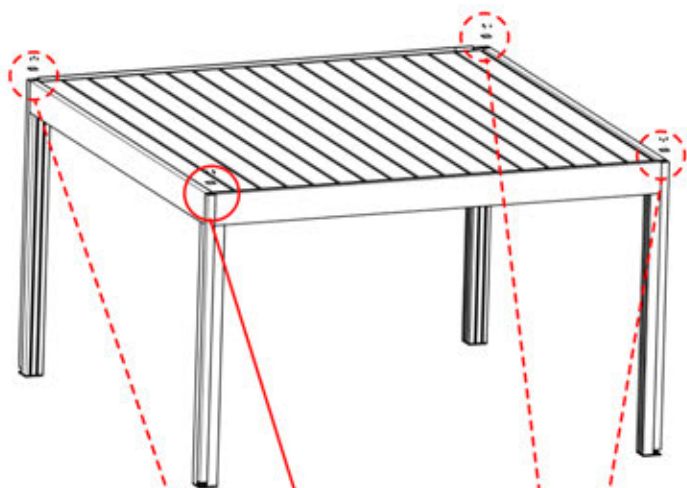
6

ANTHRACITE: L239
WHITE: L243
BLACK: L241

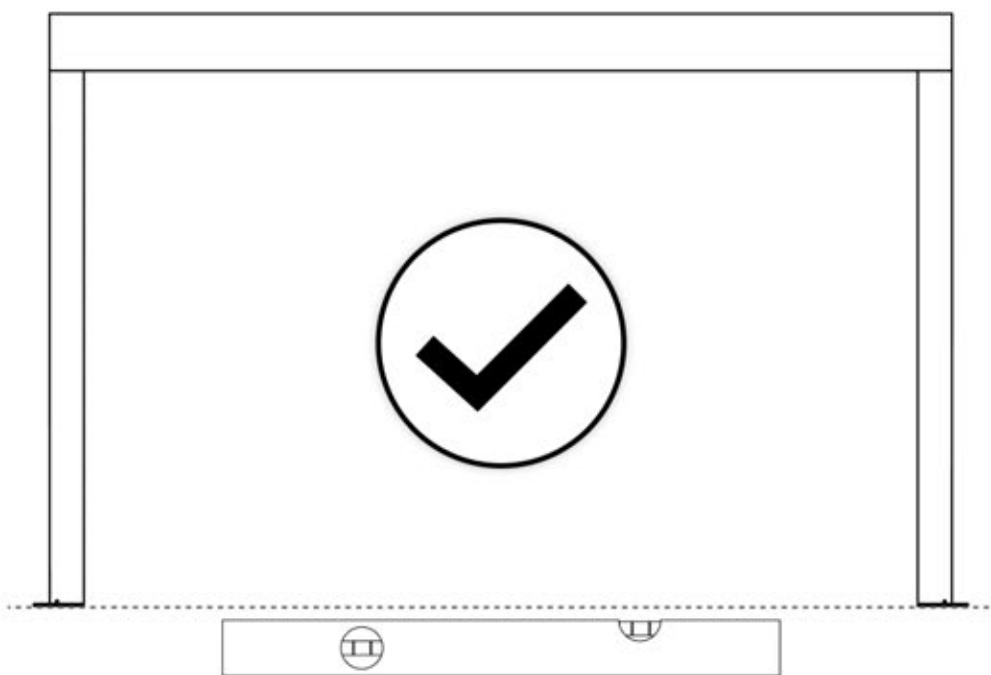
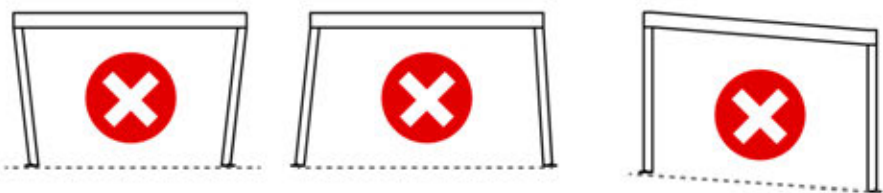
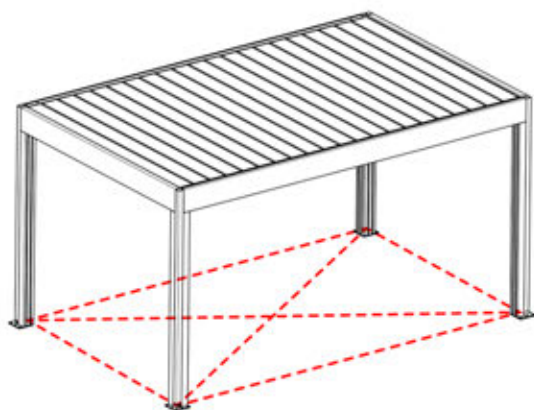
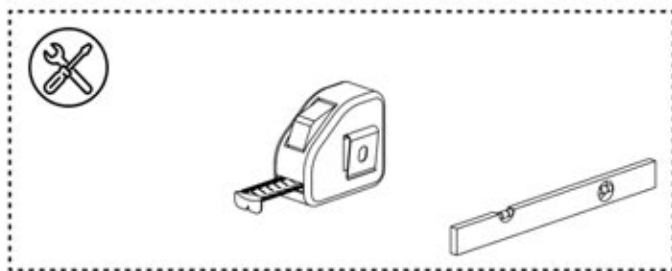


PN-200002291
4x

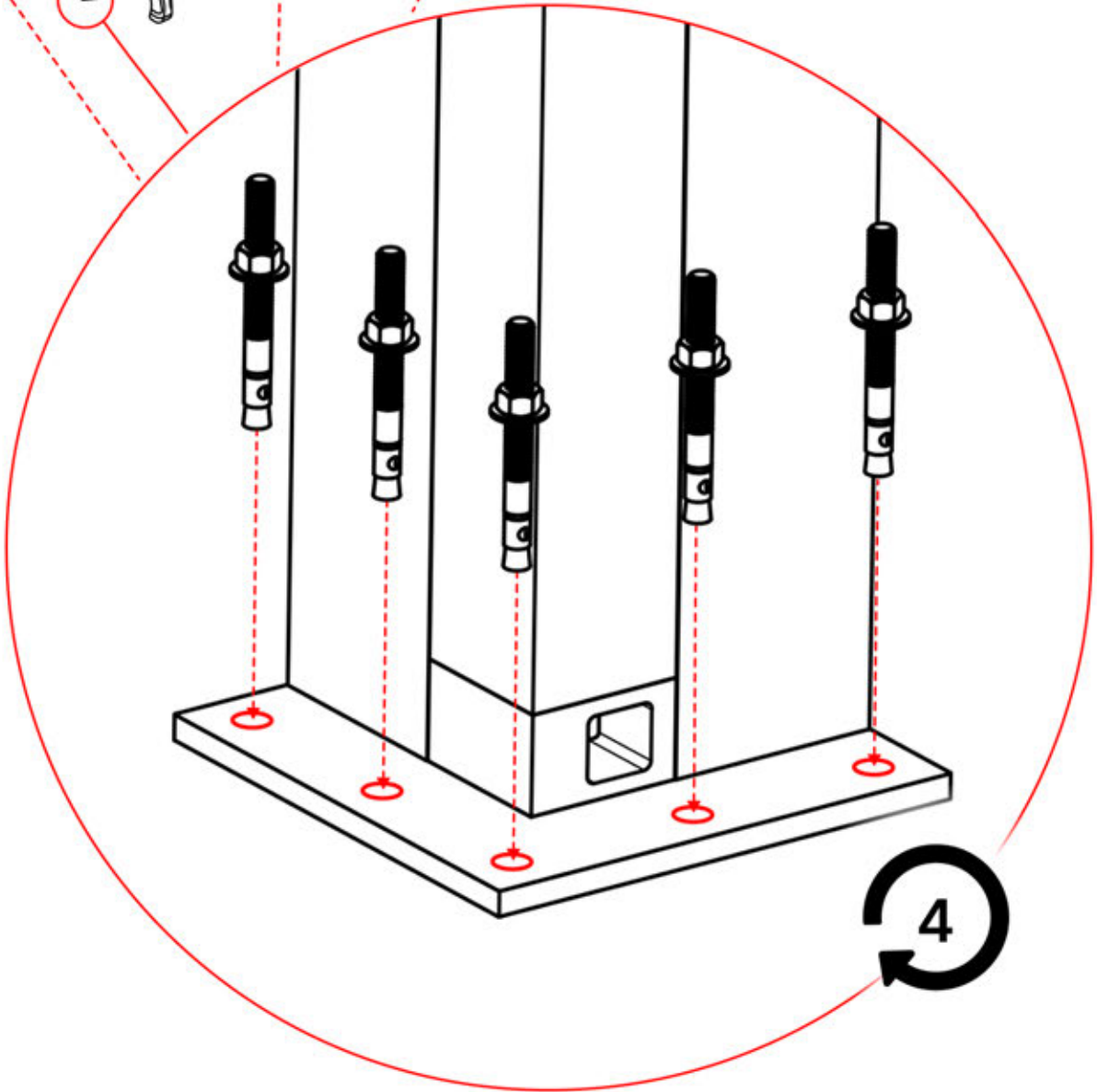
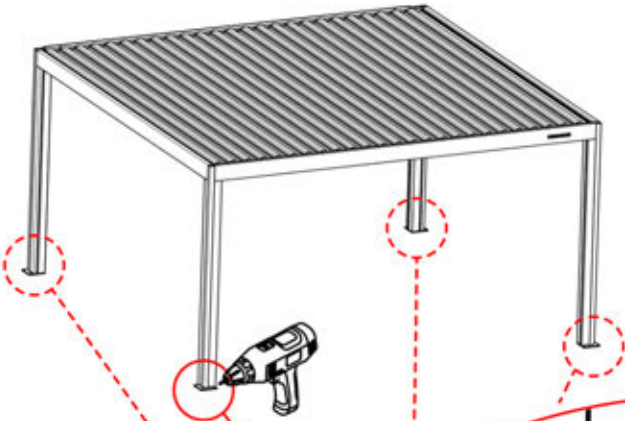
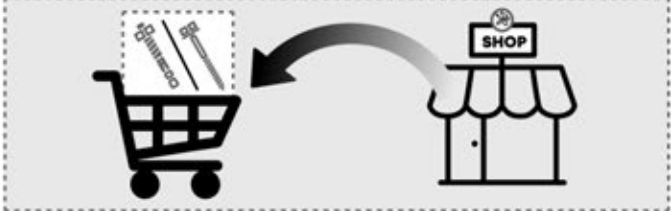
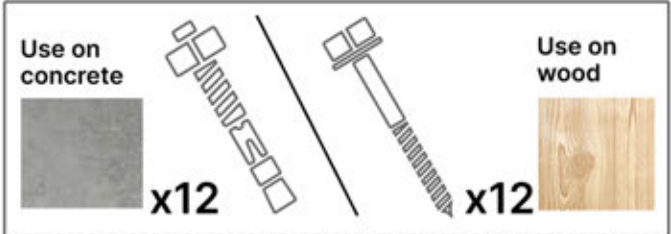
PN-200002318
12x



67



68



S4 PERGOLUX | PERGOLA PRO MAX FREESTANDING

3 X 5 M / 10' X 16'

