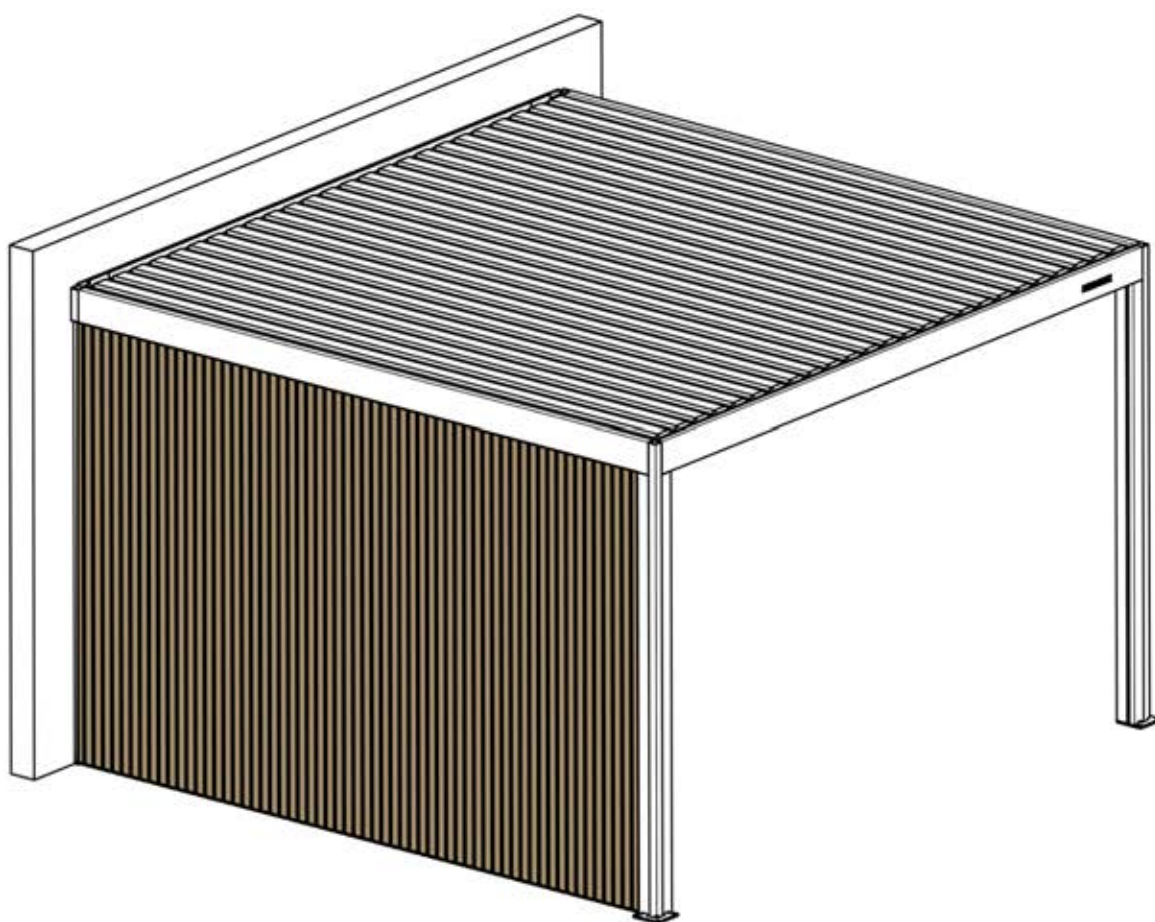


WOODLINE

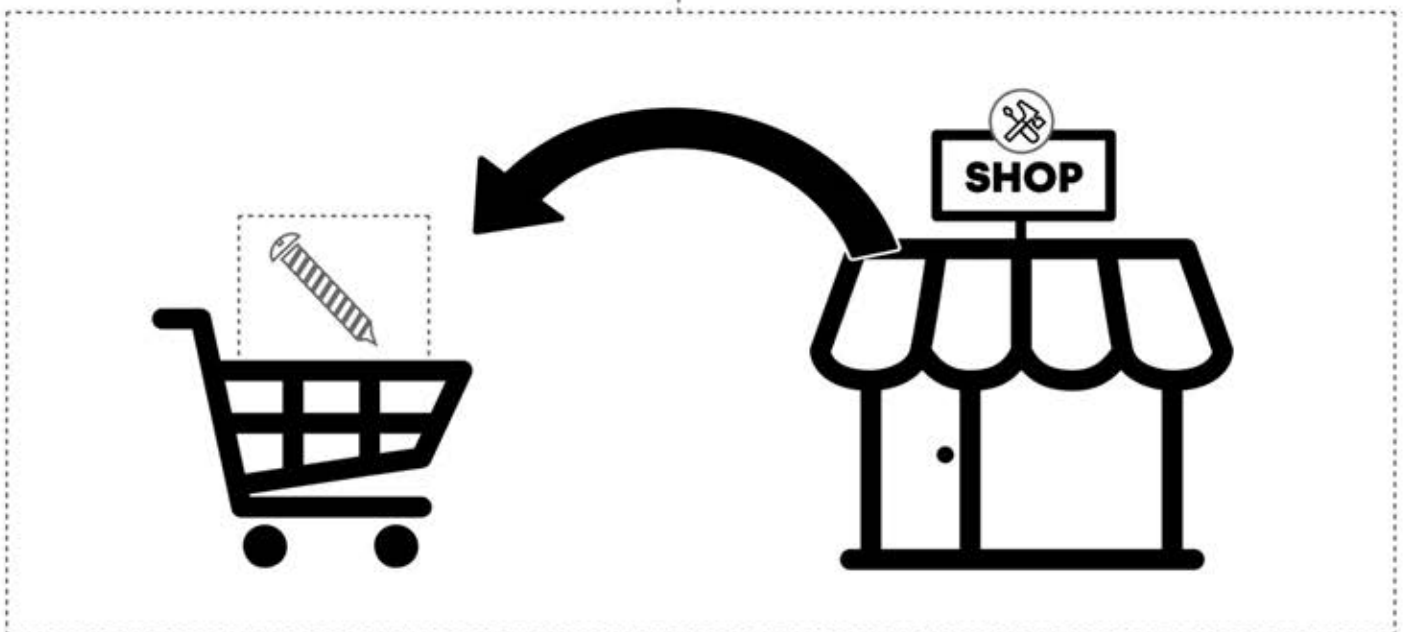
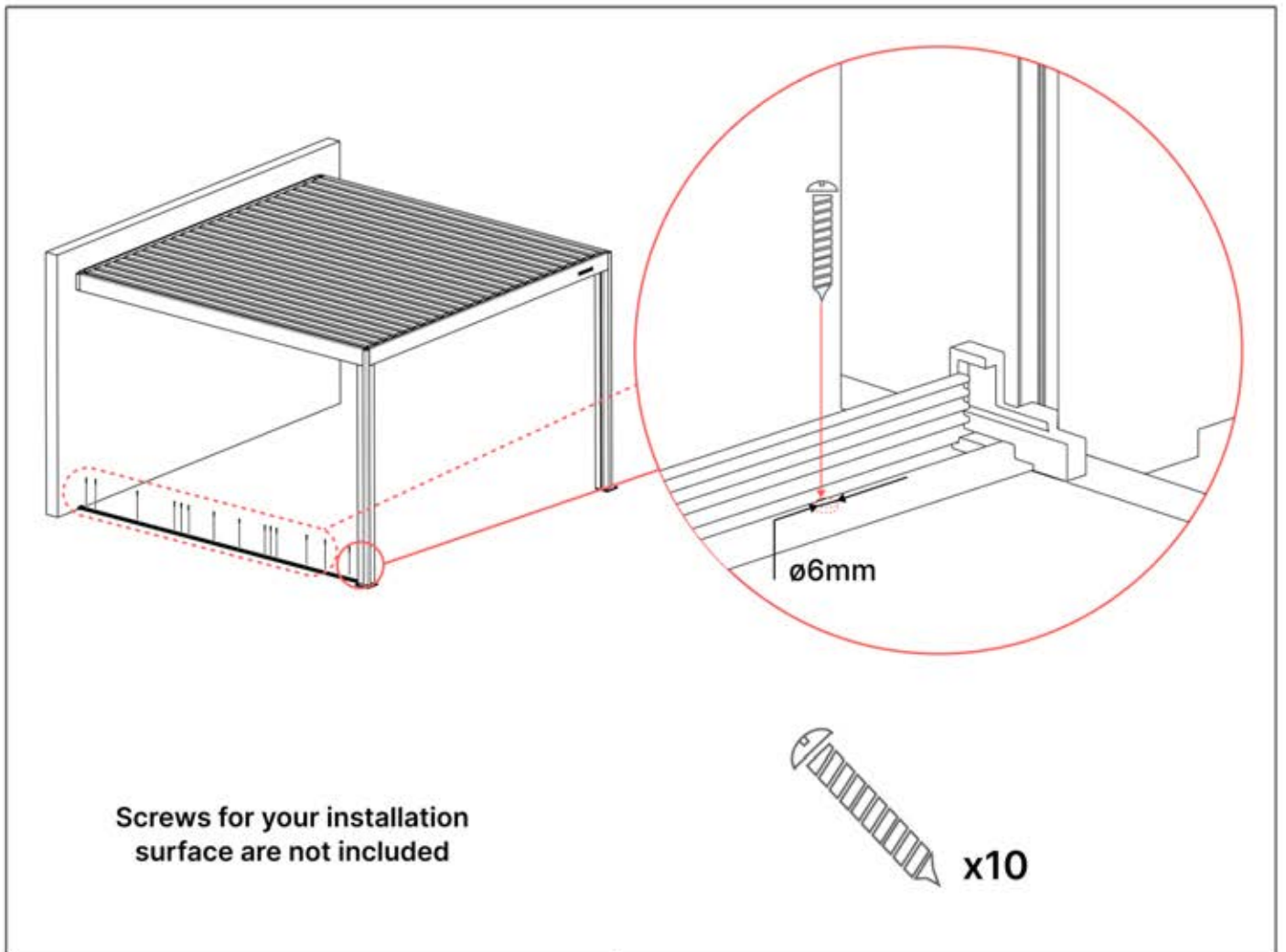
SLAT WALL

4 M / 13'



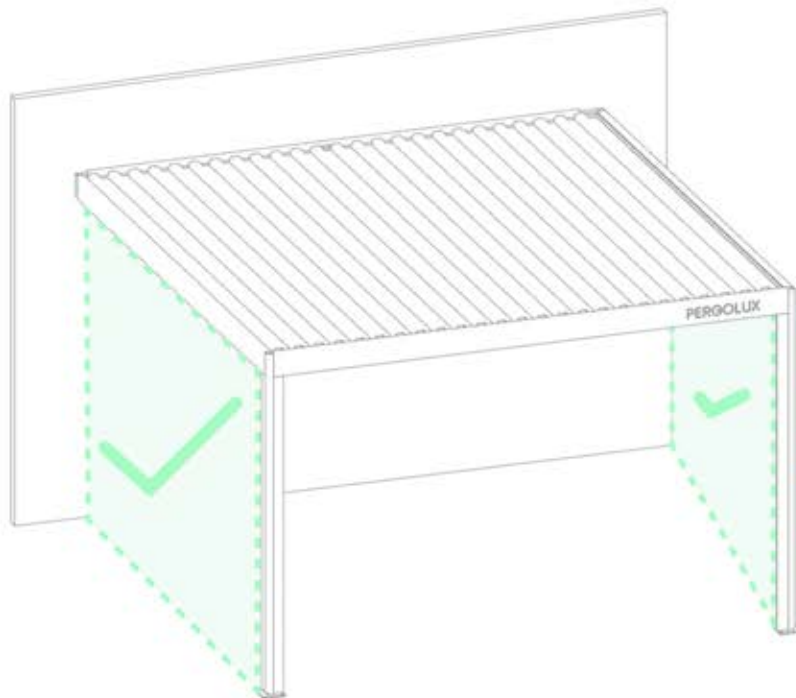
PERGOLUX

PERGOLUX | SLAT WALL
INFORMATION



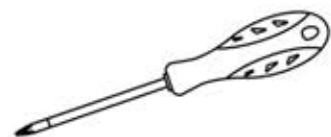
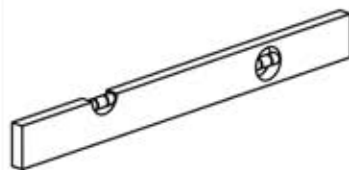
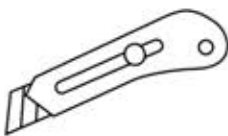
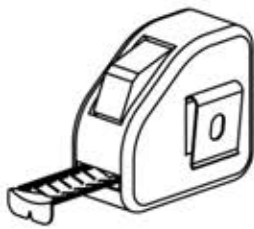
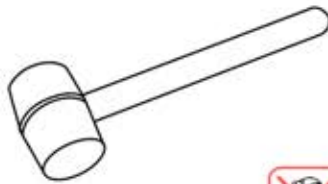
PERGOLUX | SLAT WALL

INFORMATION

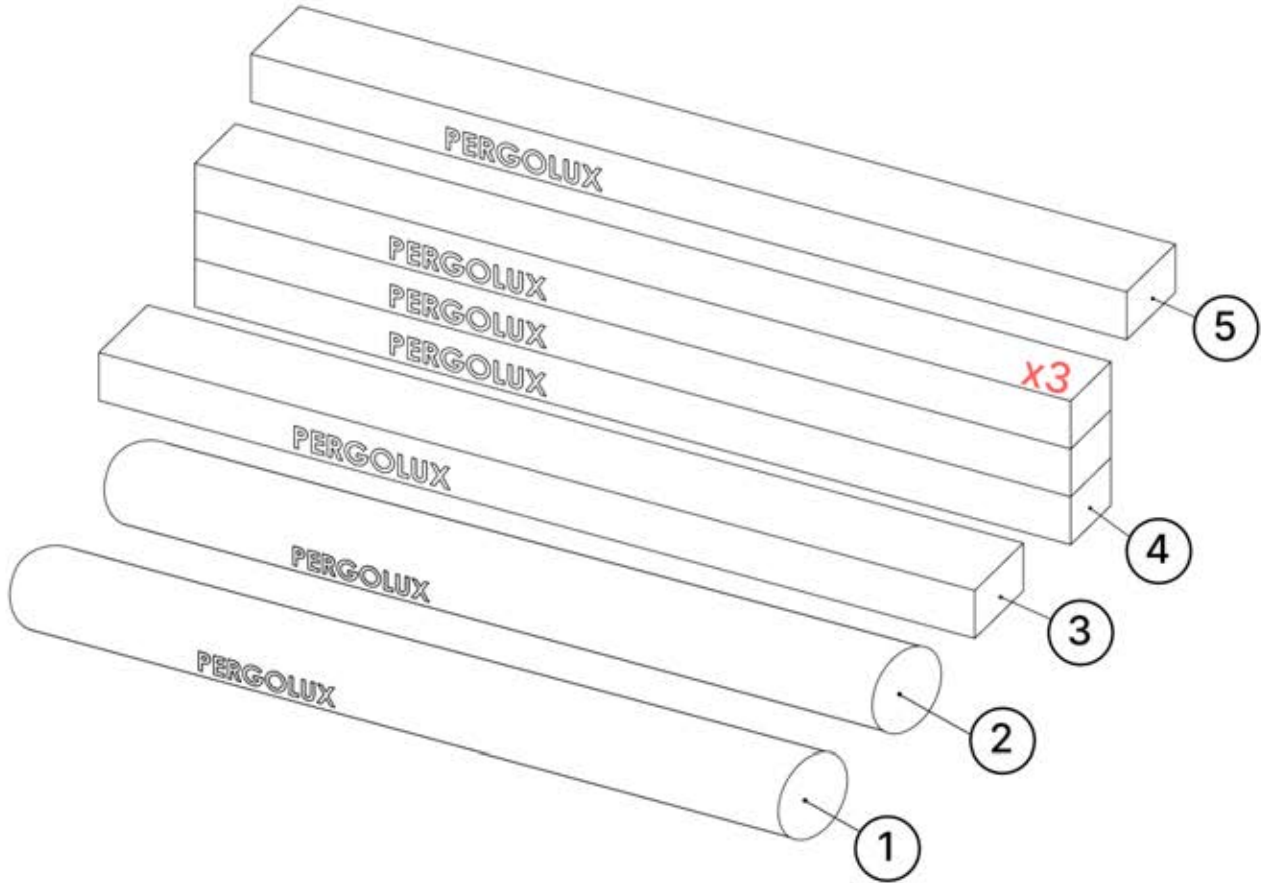


This slat wall cannot be installed on the wall mounted side and Skydance model (S1/S2/S3)

TOOLS



PACKAGE OVERVIEW



| | |
|---|---------------------------------------|
| ① | W103 FRAME START PACKAGE |
| ② | W104 FRAME CENTER PACKAGE |
| ③ | W100 SLAT PACKAGE 16 |
| ④ | W101 SLAT PACKAGE 15 x3 |
| ⑤ | W101 WALL MOUNT KIT |

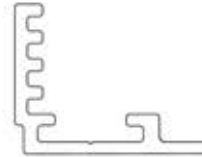
PERGOLUX | SLAT WALL
ITEMS IN BOX



W103 FRAME START PACKAGE

1

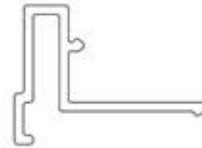
922.5 mm
36 19/64"



Ground Fixation Start
PN-200002524

2x

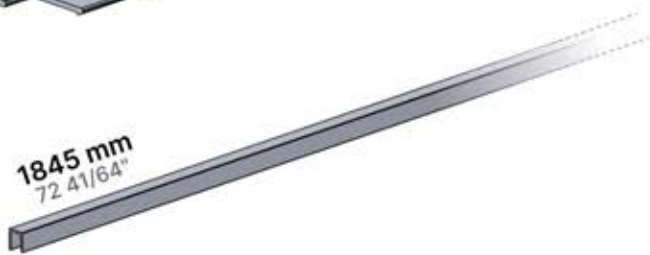
1845 mm
72 41/64"



Slat Fixation Start
PN-200002529

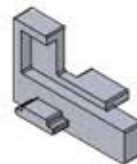
1x

1845 mm
72 41/64"



Slat Lock Start
PN-200002525

1x



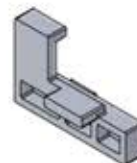
End Cover Left
PN-200002510

1x



PN-200002523

1x



End Cover Right
PN-200002513

1x

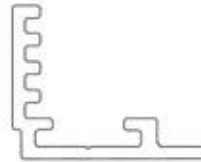
PERGOLUX | SLAT WALL
ITEMS IN BOX



W104 FRAME CENTER PACKAGE

2

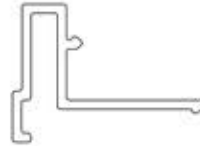
1800 mm
70 55/64"



Ground Fixation
Center
PN-200002522

1x

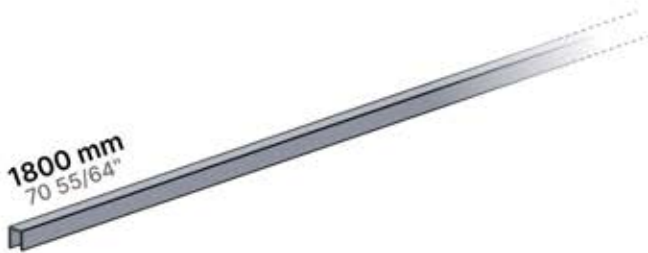
1800 mm
70 55/64"



Slat Fixation Center
PN-200002512

1x

1800 mm
70 55/64"



Slat Lock Center
PN-200002527

1x



PN-200002523

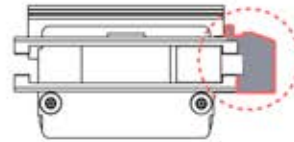
1x

PERGOLUX | SLAT WALL
ITEMS IN BOX

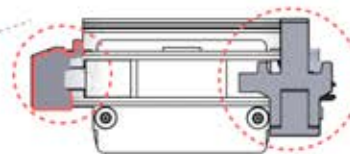


W100 SLAT PACKAGE 16

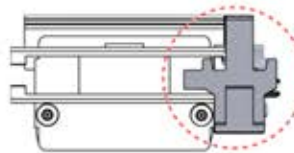
3



Slat Right
PN-200002509
1x



Slat Left
PN-200002508
1x



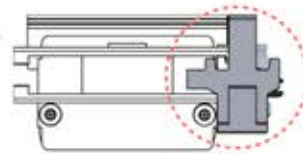
Slat Center
PN-200002507
14x

PERGOLUX | SLAT WALL
ITEMS IN BOX



W101 SLAT PACKAGE 15

4



Slat Center
PN-200002507
45x



W100 WALL MOUNT KIT

5



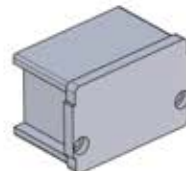
WF FIXATION
1x



WF FIXATION
END COVER R
1x



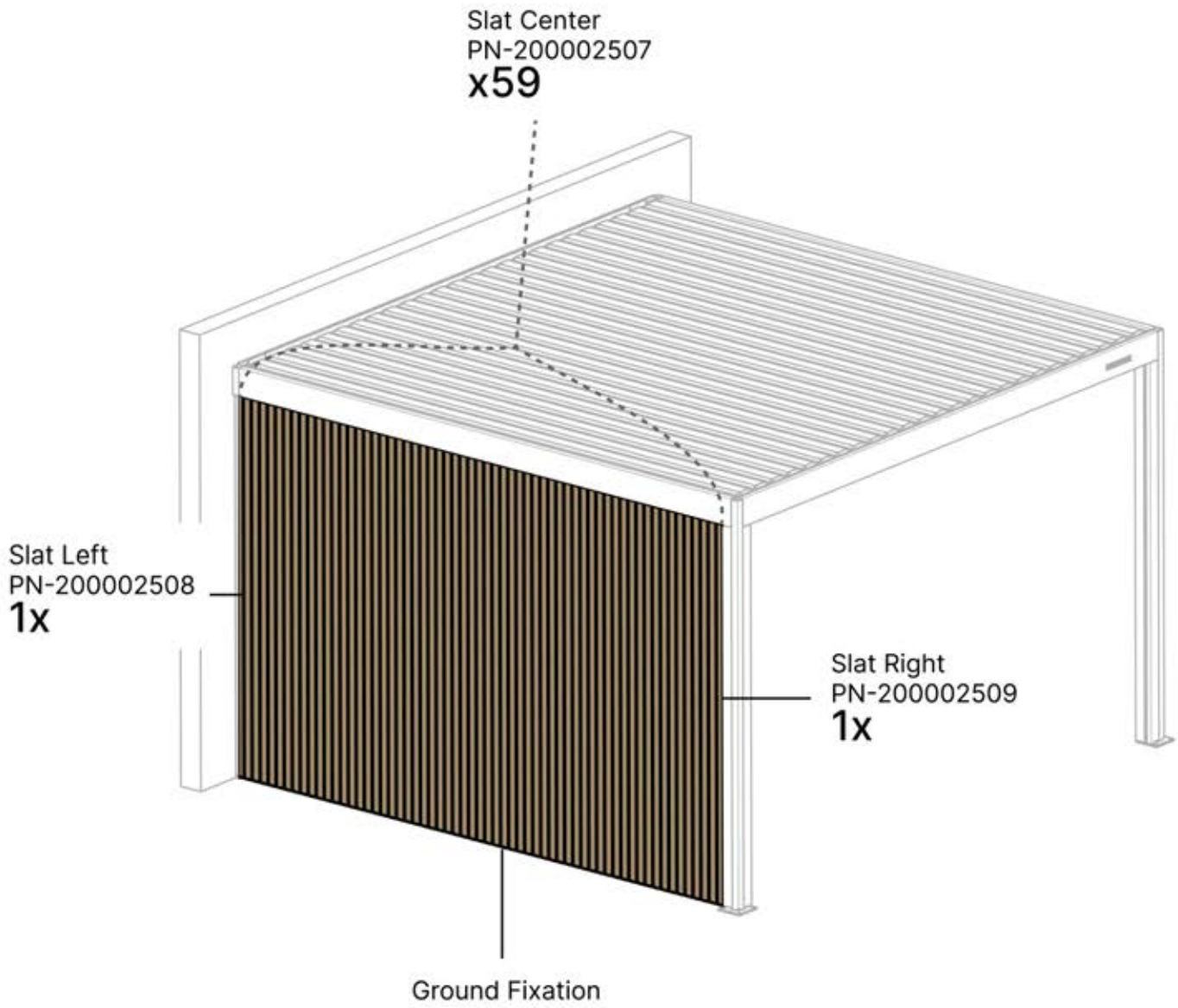
WF FIXATION
END COVER L
1x



WF SLAT
FLANGE TOP
x1


PERGOLUX | SLAT WALL


OVERVIEW 4M/13'

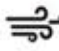


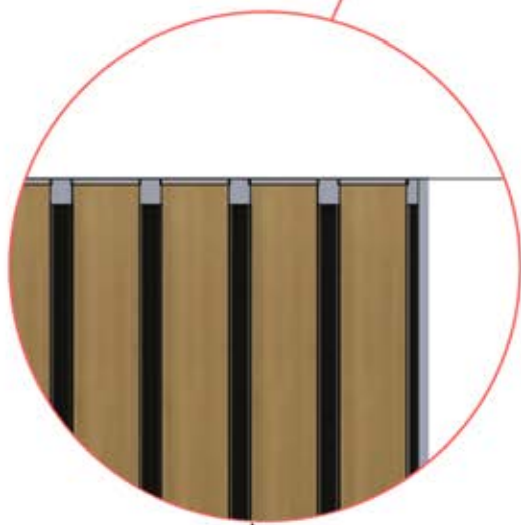
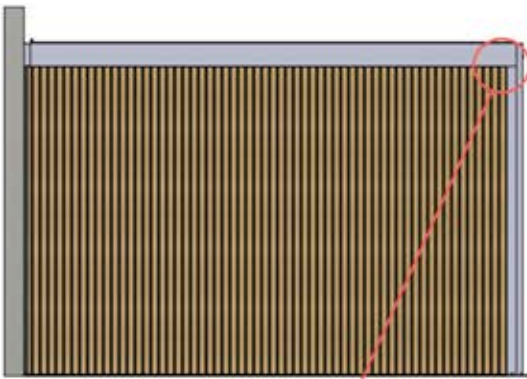
PERGOLUX | SLAT WALL
CLOSED/OPEN

OPTION 1 (Closed):

 **NOT** see through

 Water protection

 Wind protection




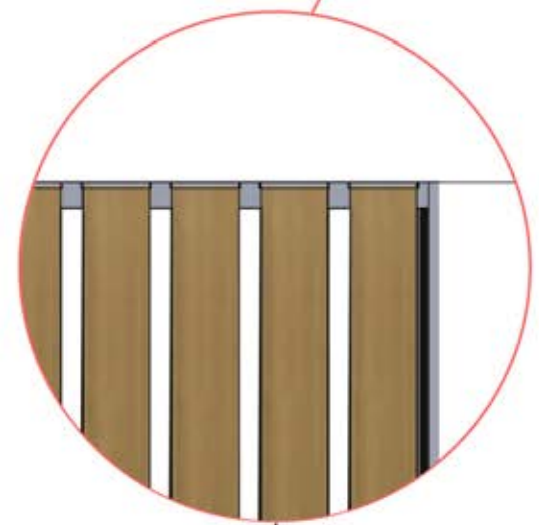
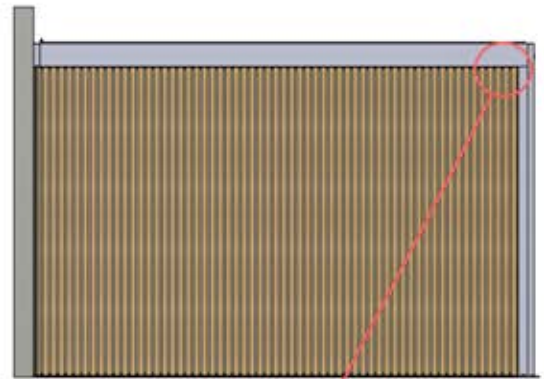
Continue assembling
from **Step 1**

OPTION 2 (Open):

 See through

 **NO** Water protection

 **NO** Wind protection

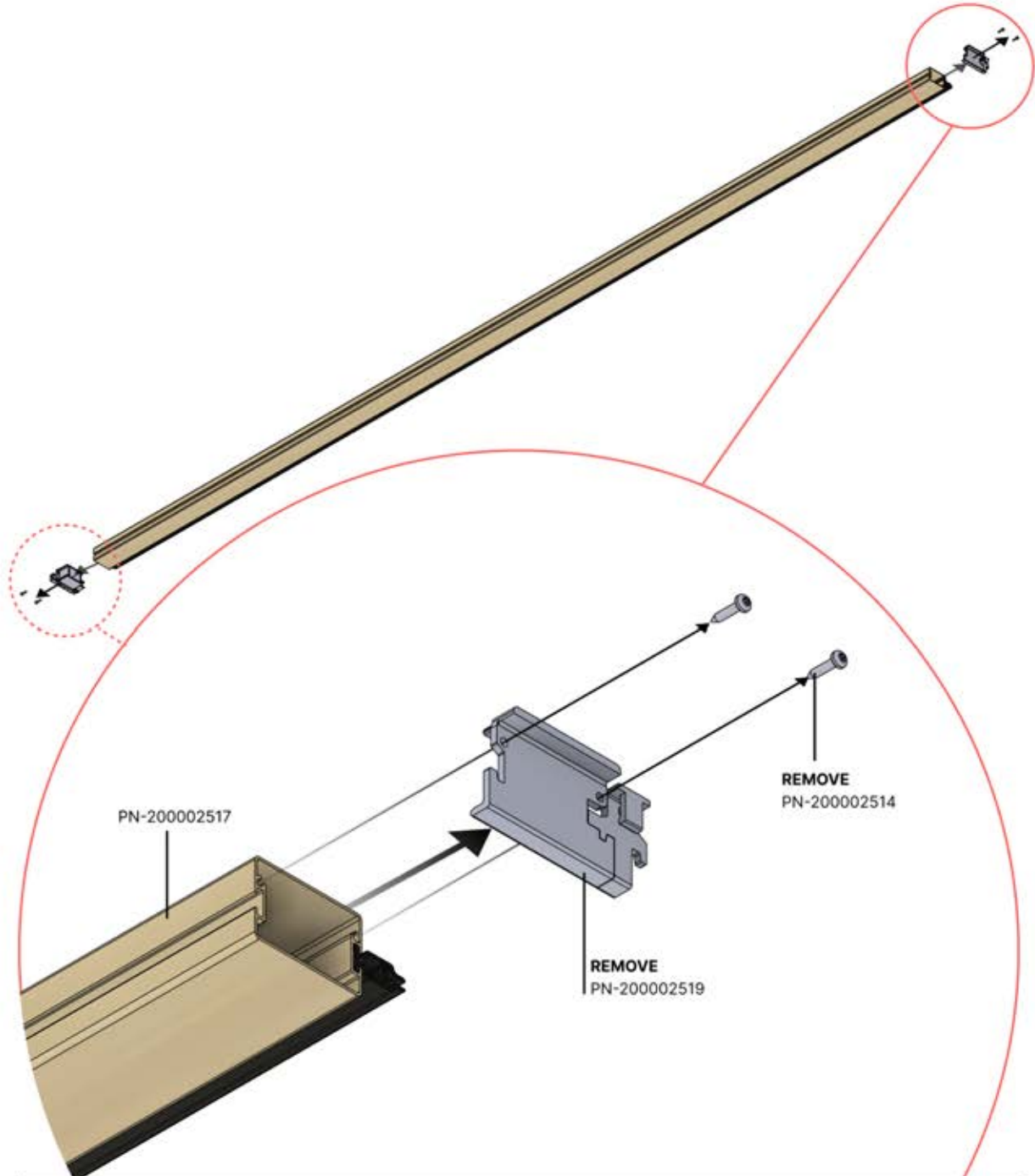


 See next
page



OPTION 2 (OPEN)

! ** Only for option 2



PLEASE NOTE: Do not remove the slat connection profile on the left and right slats, as these will be installed and fixed into the posts.

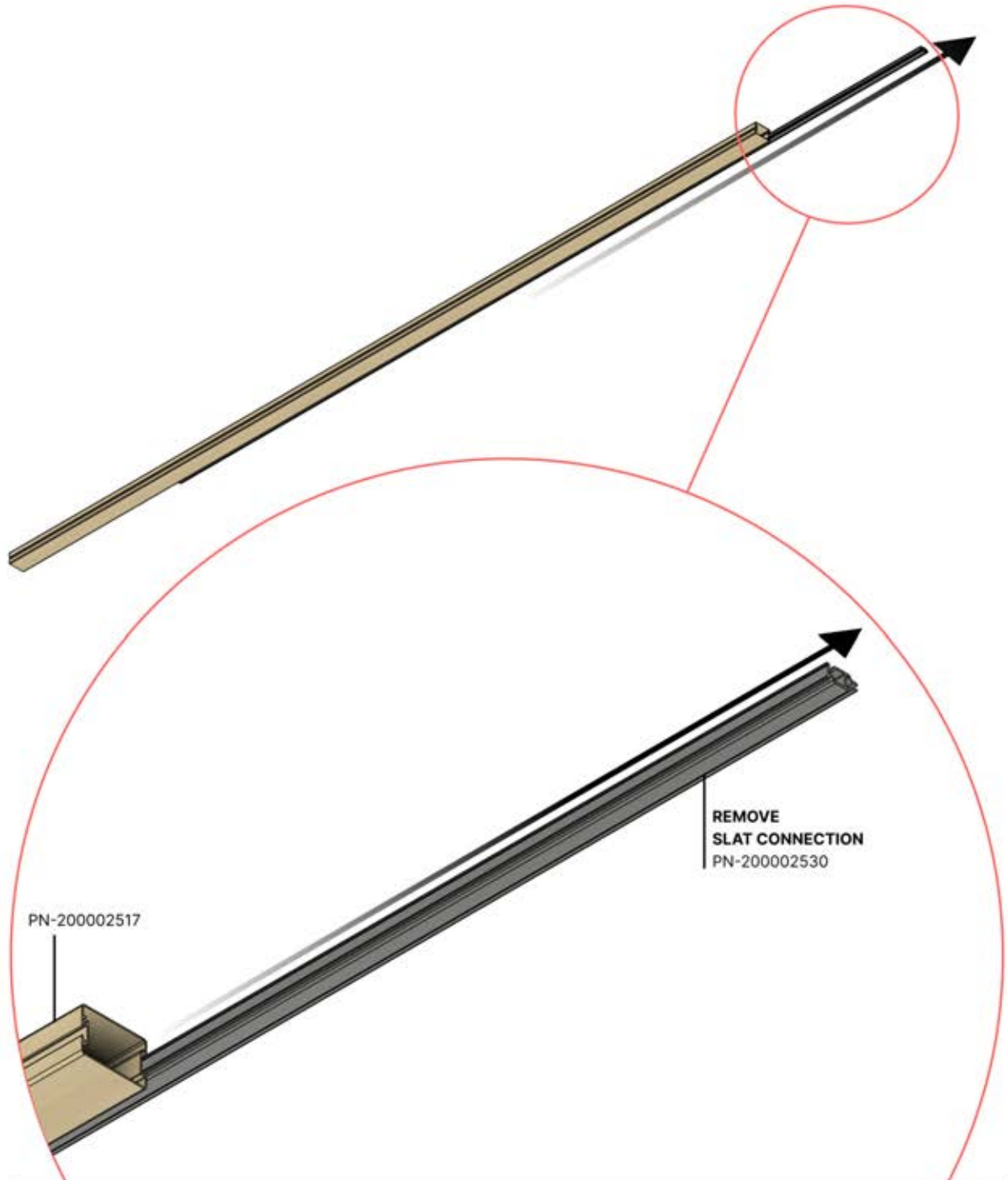


Slat Right
PN-200002509
1x

Slat Left
PN-200002508
1x

OPTION 2 (OPEN)

! ** Only for option 2



PLEASE NOTE: Do not remove the slat connection profile on the left and right slats, as these will be installed and fixed into the posts.

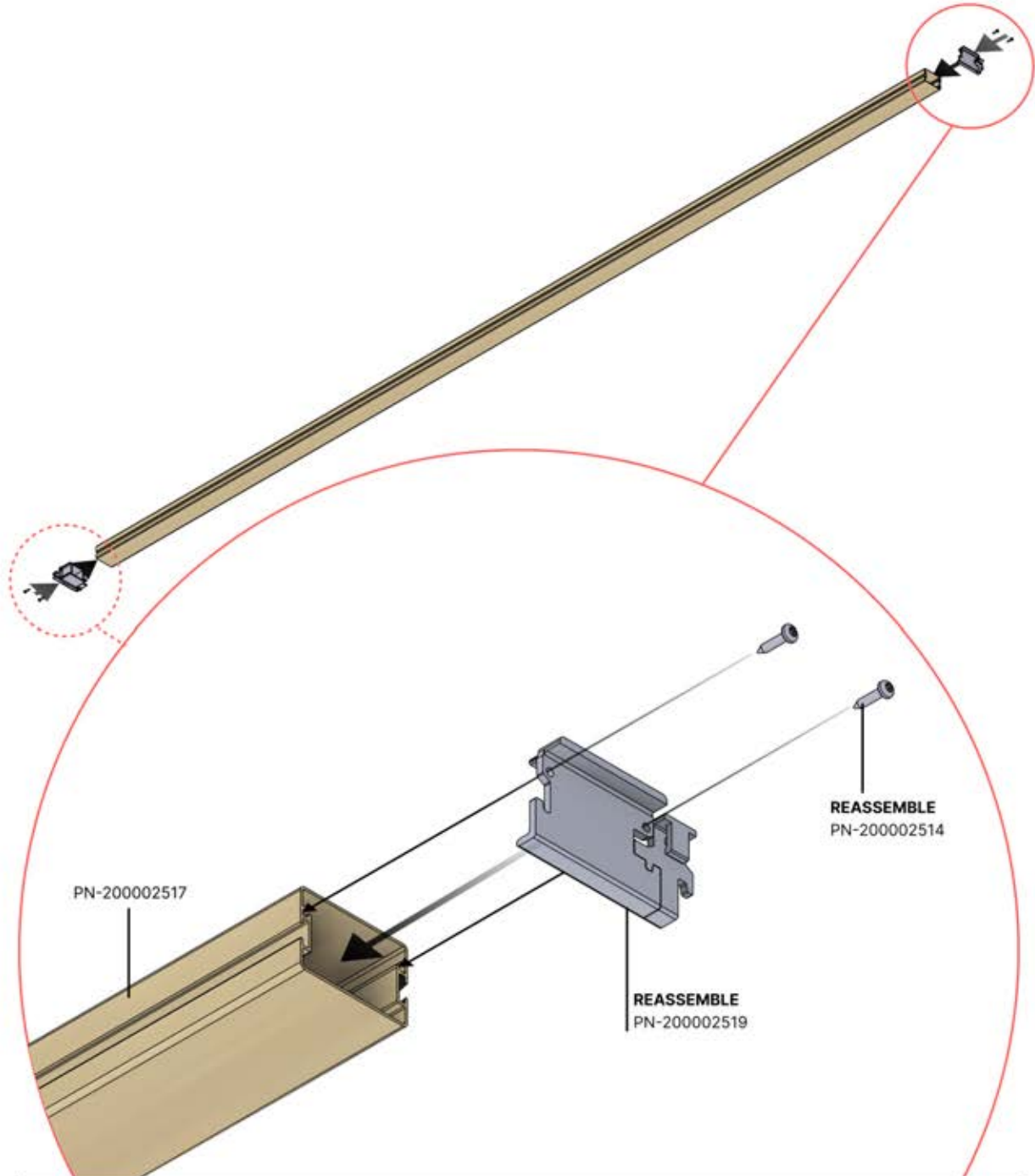


Slat Right
PN-200002509
1x

Slat Left
PN-200002508
1x

OPTION 2 (OPEN)

! ** Only for option 2



PLEASE NOTE: Do not remove the slat connection profile on the left and right slats, as these will be installed and fixed into the posts.

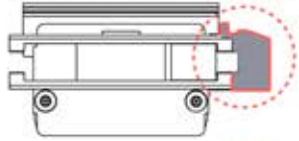


Slat Right
PN-200002509
1x

Slat Left
PN-200002508
1x

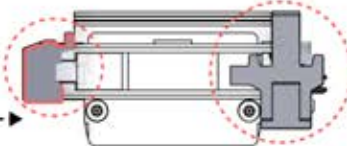
WALL MOUNT KIT ASSEMBLY

If you install slat walls to the right of pergola than use this slat

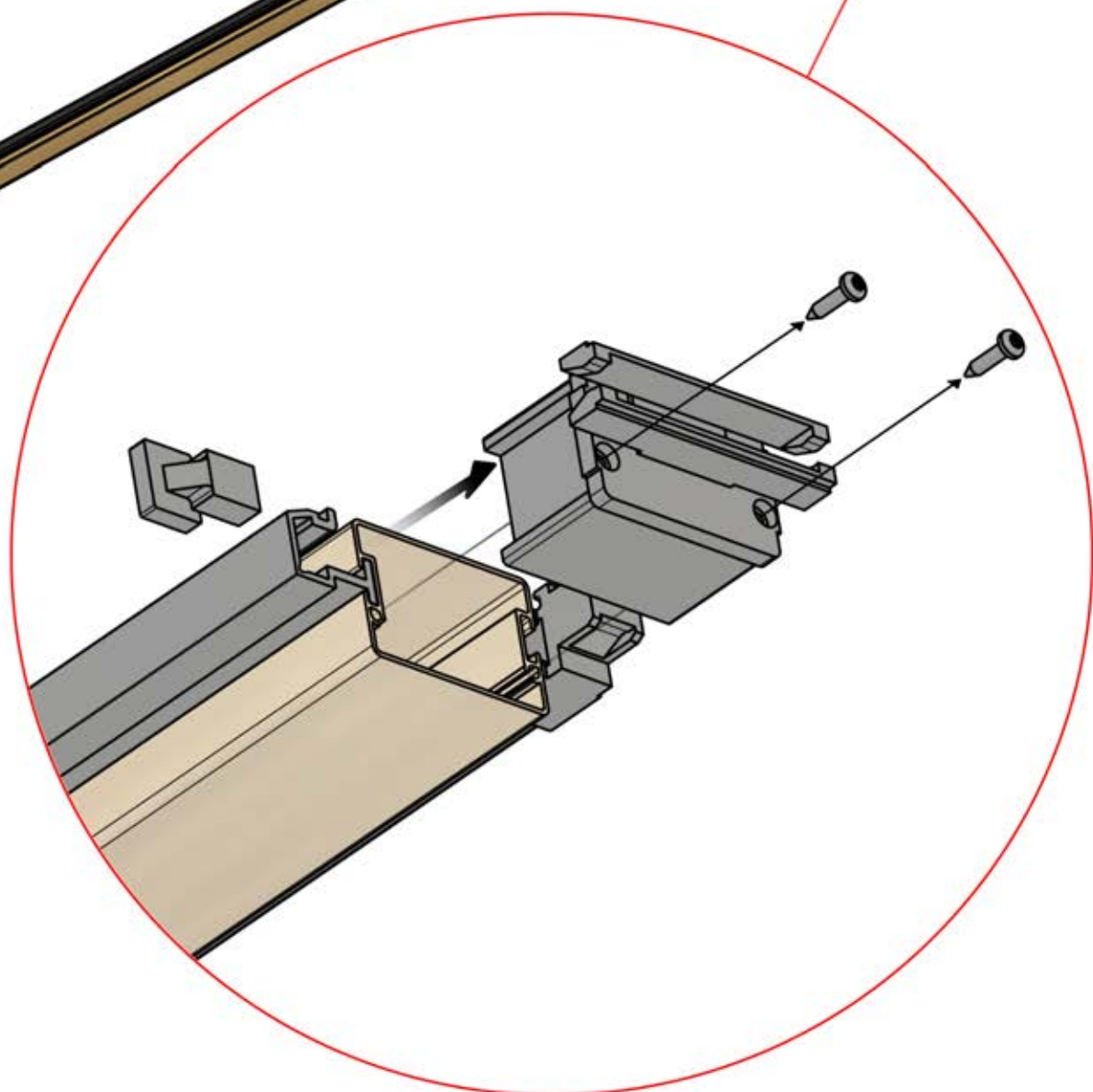
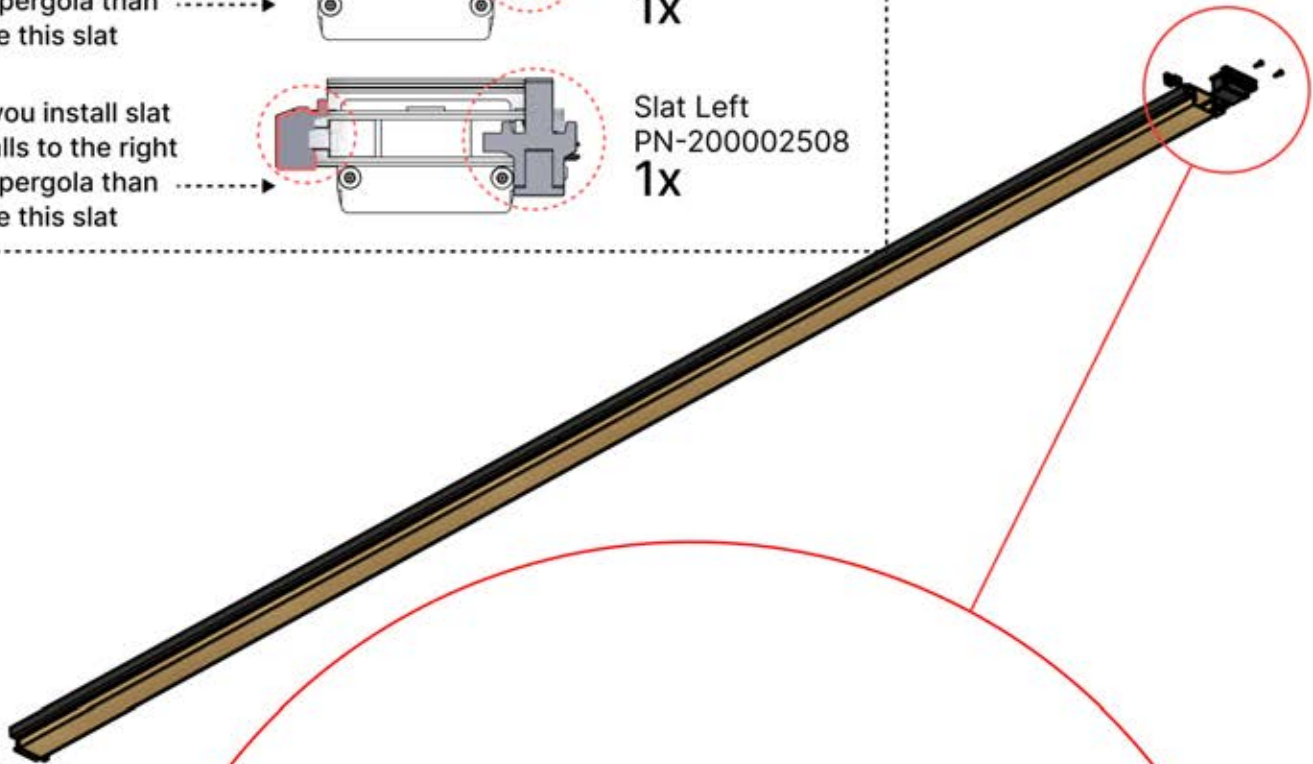


Slat Right
PN-200002509
1x

If you install slat walls to the left of pergola than use this slat

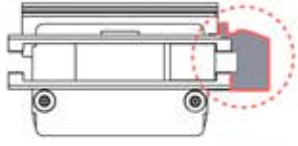


Slat Left
PN-200002508
1x



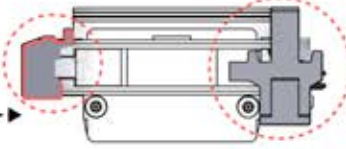
WALL MOUNT KIT ASSEMBLY

If you install slat walls to the right of pergola than use this slat

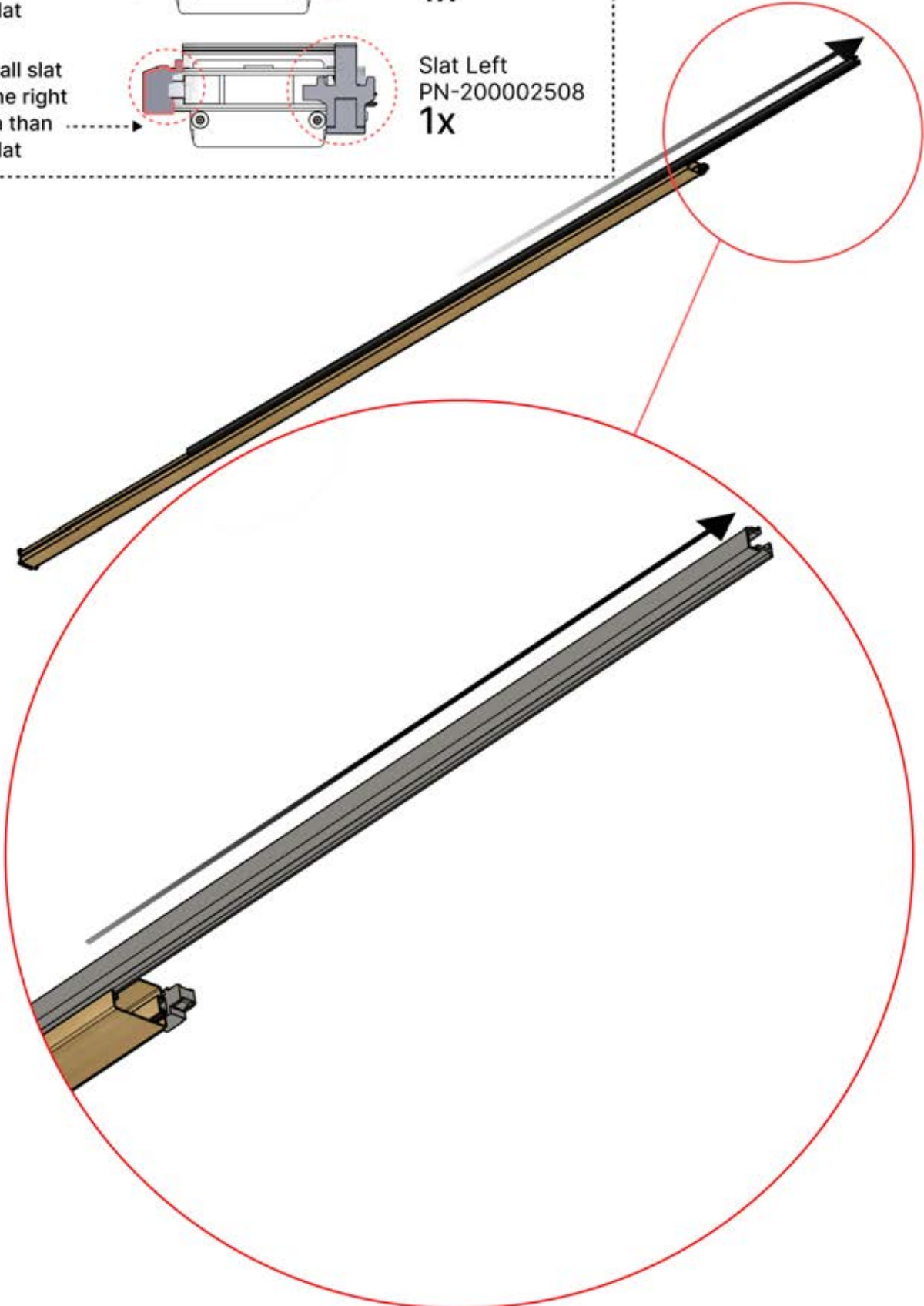


Slat Right
PN-200002509
1x

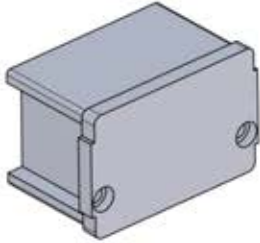
If you install slat walls to the right of pergola than use this slat



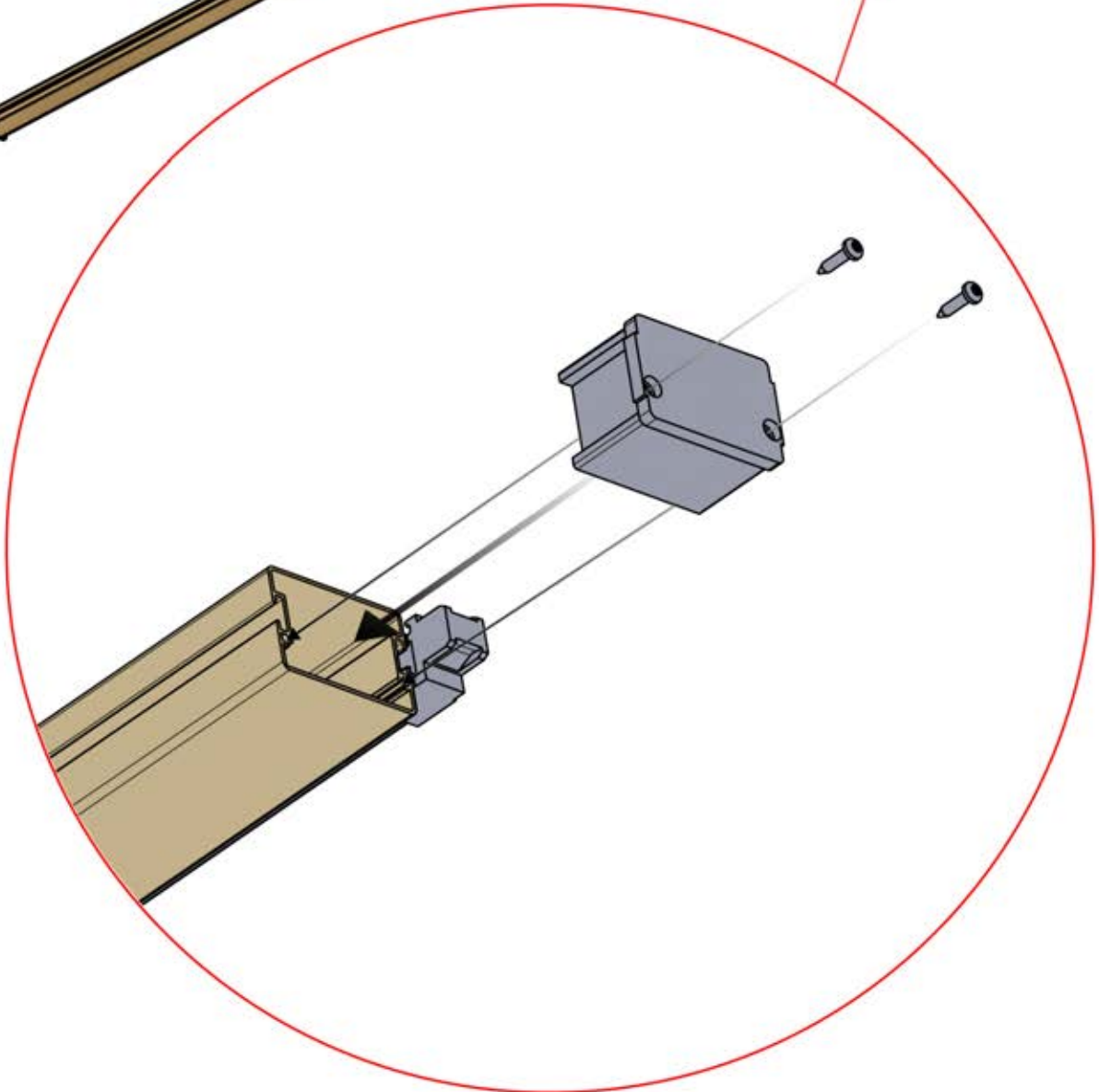
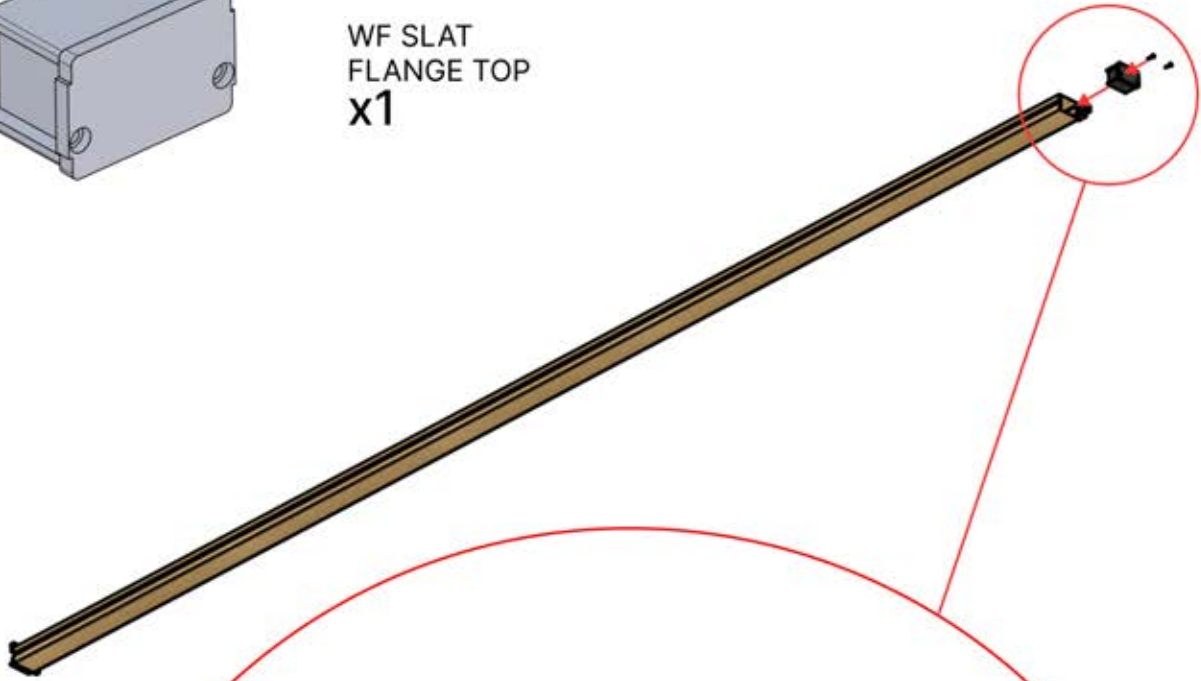
Slat Left
PN-200002508
1x



WALL MOUNT KIT ASSEMBLY

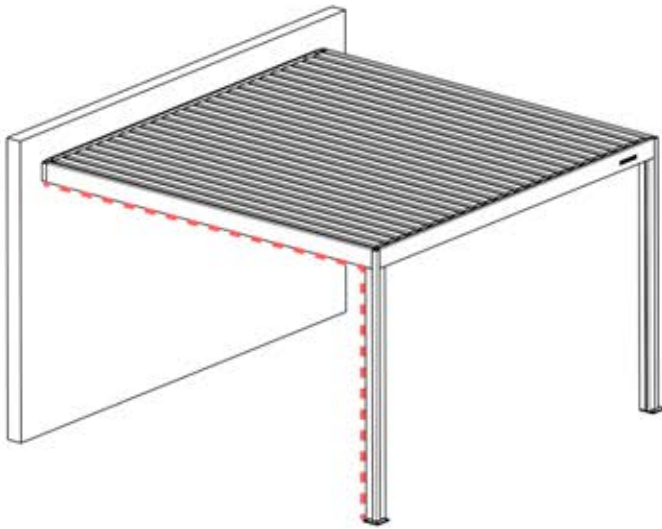


WF SLAT
FLANGE TOP
x1



REMOVE COVER AND CLIPS

Remove the cover and clips entirely from the beams and posts on the side where you plan to install the slat wall.



Cover and clip



PN-200000512
STRIP COVER CLIP



SnapFIT Cover

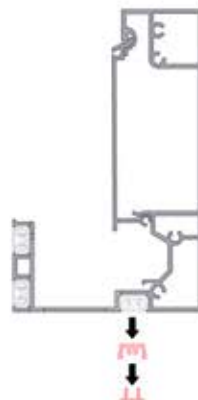
Beams PERGOLA

Remove cover and clips from **beams**.



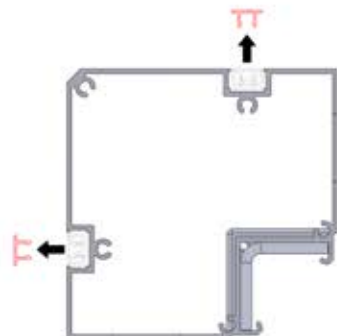
Beams SUNDREAM

Remove cover and clips from the underside of the **beams**.

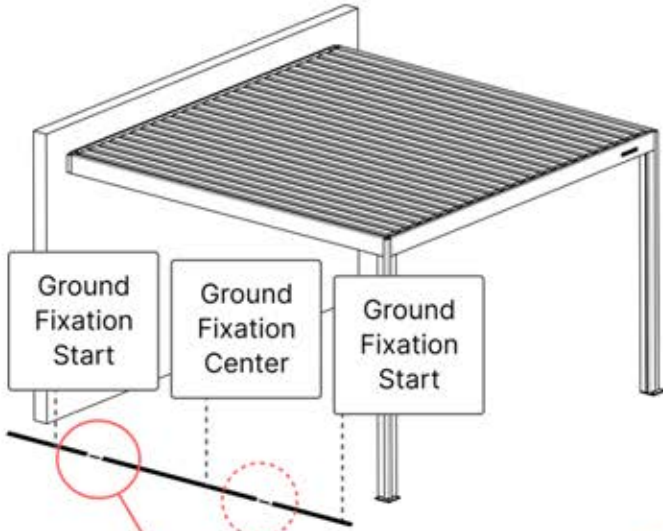
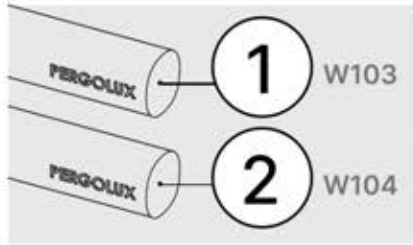


Posts

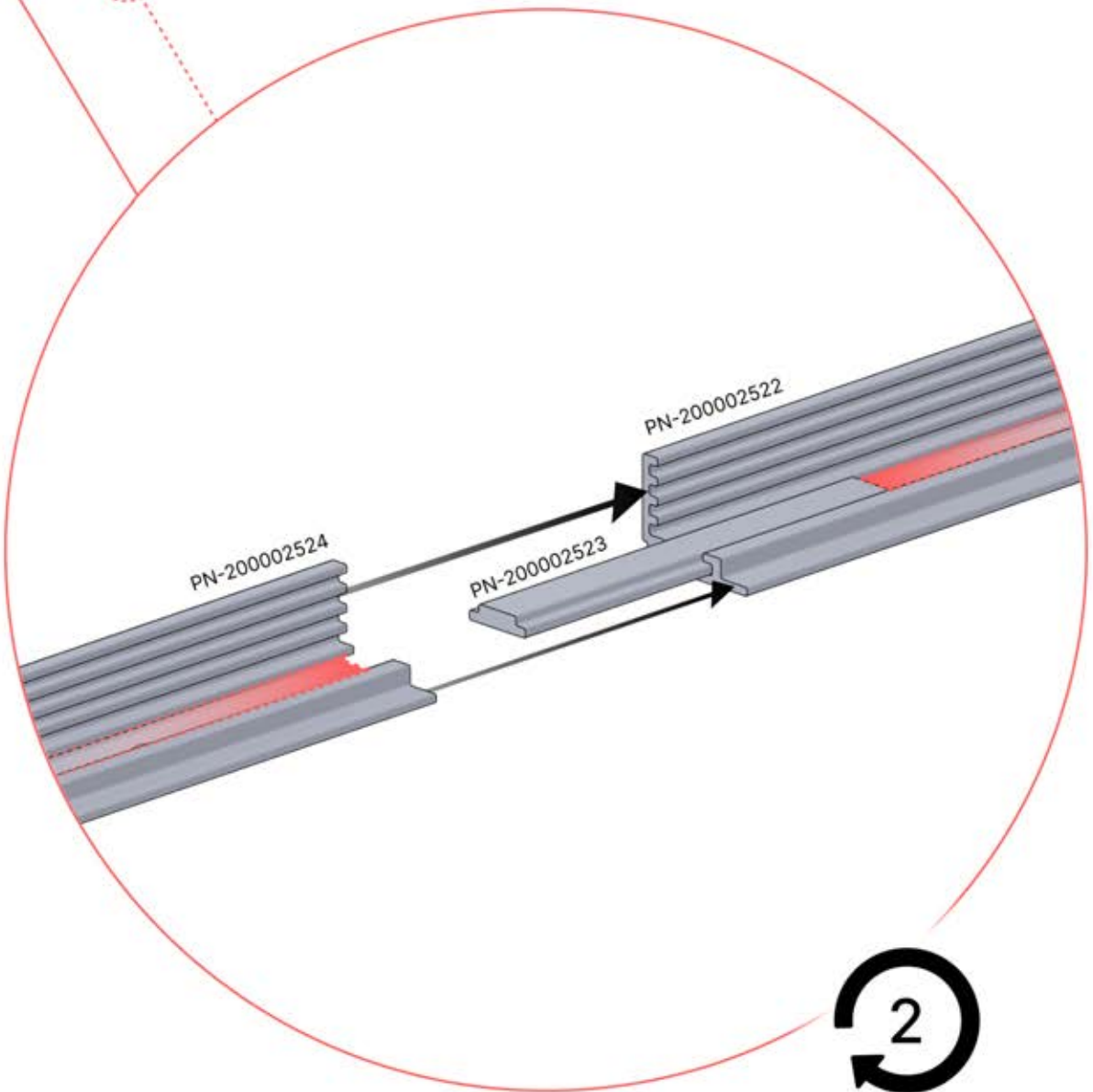
Remove cover and clips from **posts**.



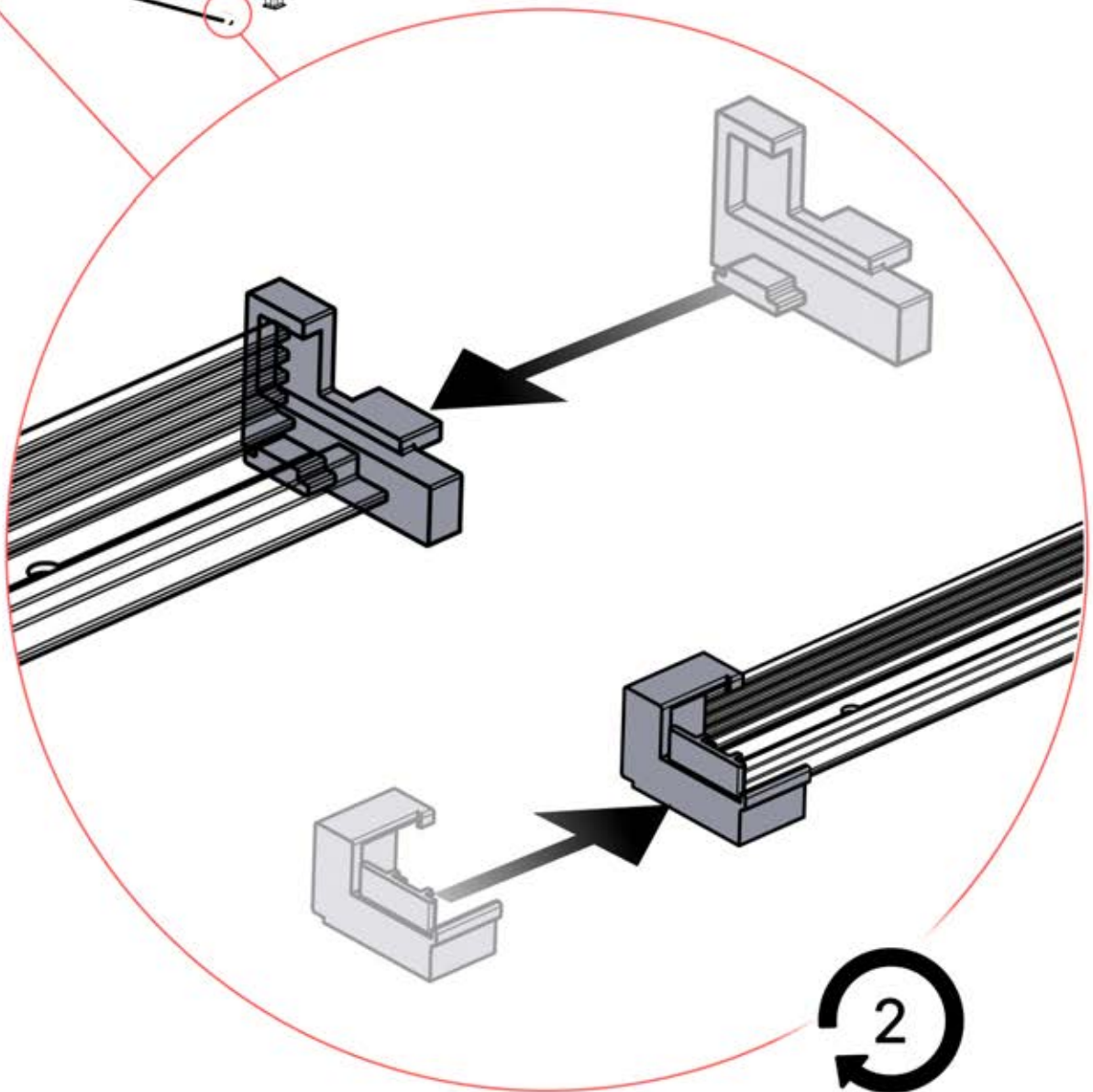
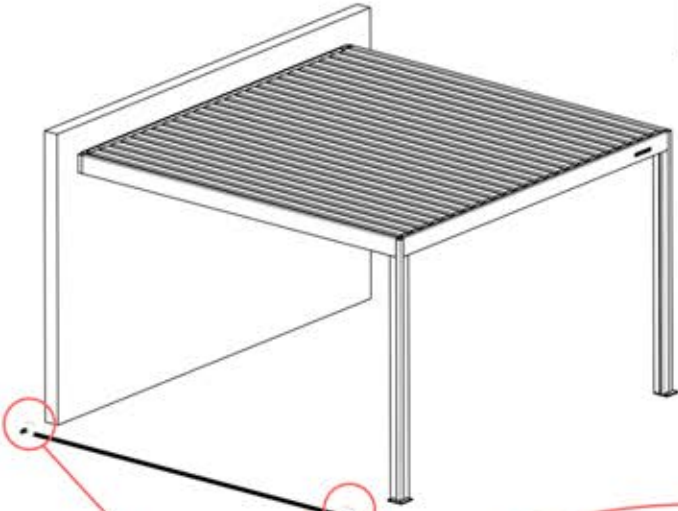
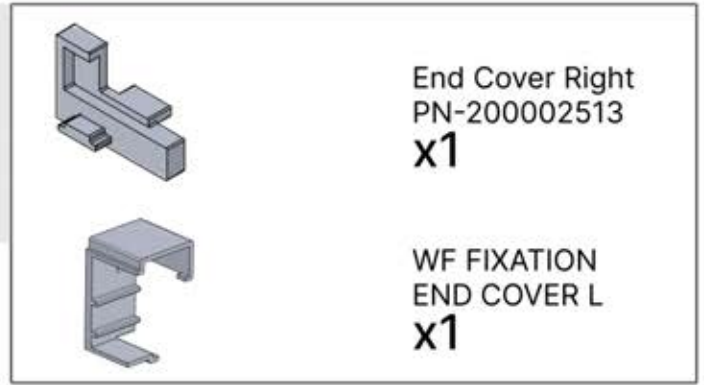
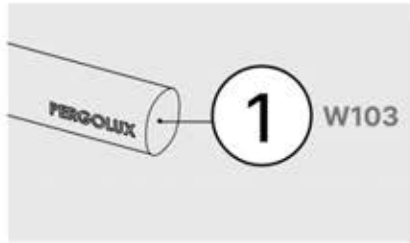
1



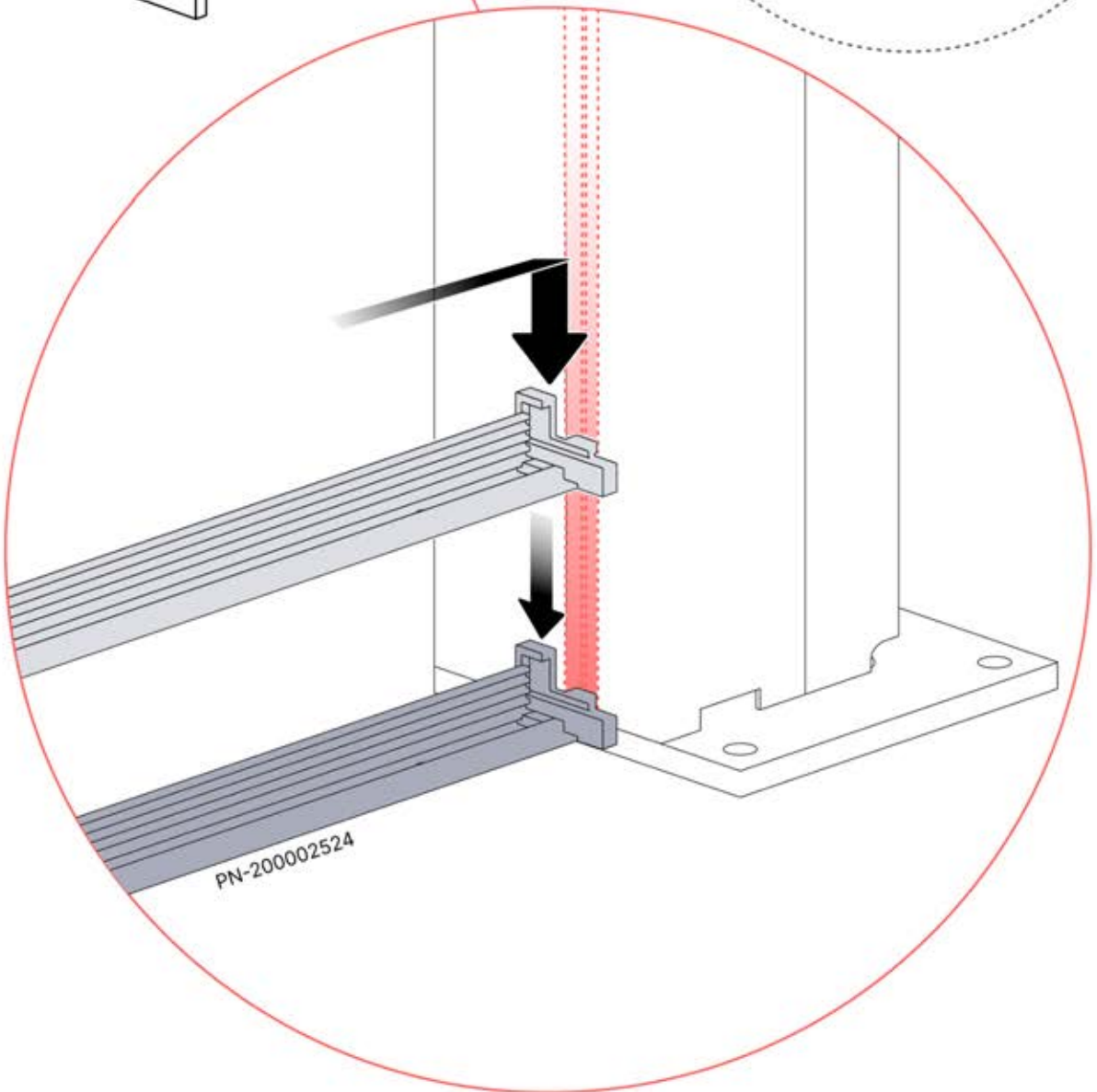
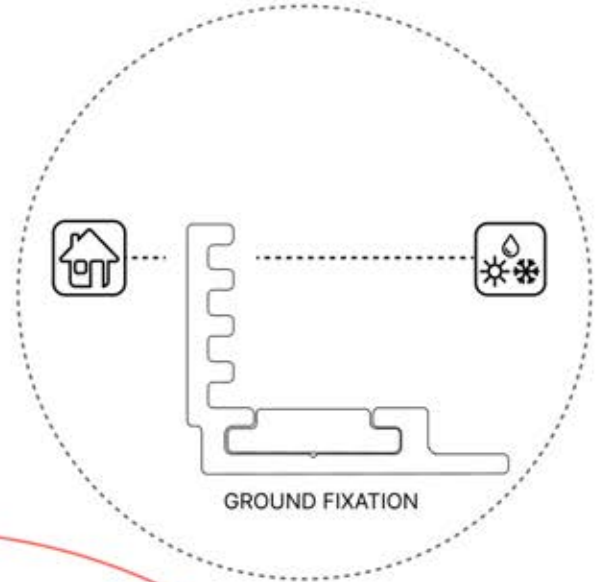
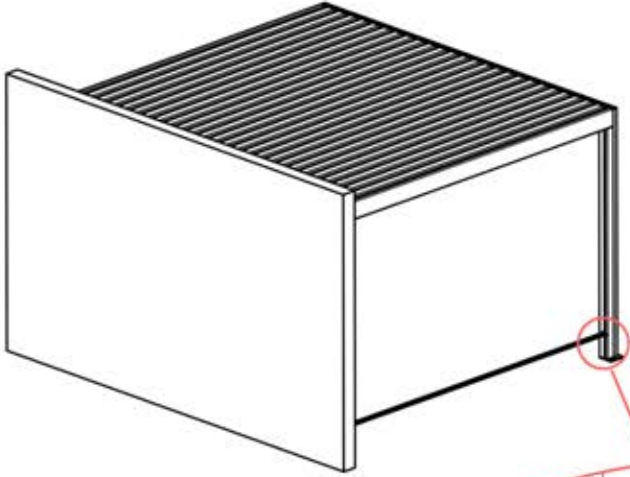
| | |
|--|--|
| | PN-200002523 |
| | 2x |
| | 922,5 mm 36 19/64" |
| | Ground Fixation Start PN-200002524 |
| | 2x |
| | 1800 mm 70 55/64" |
| | Ground Fixation Center PN-200002522 |
| | 1x |



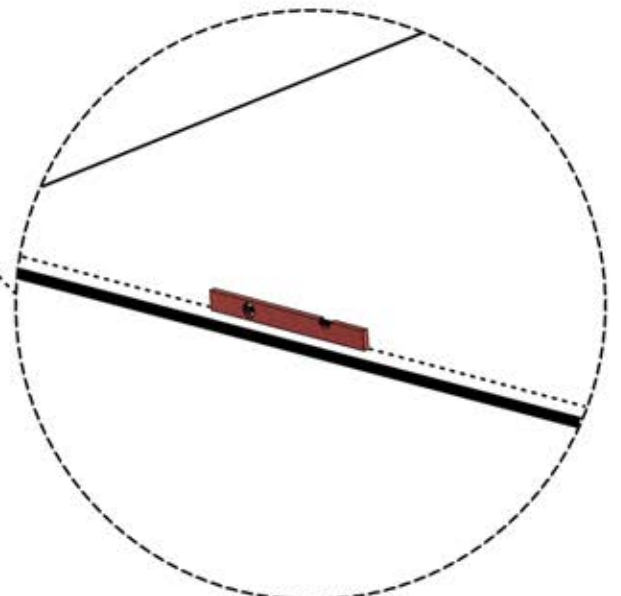
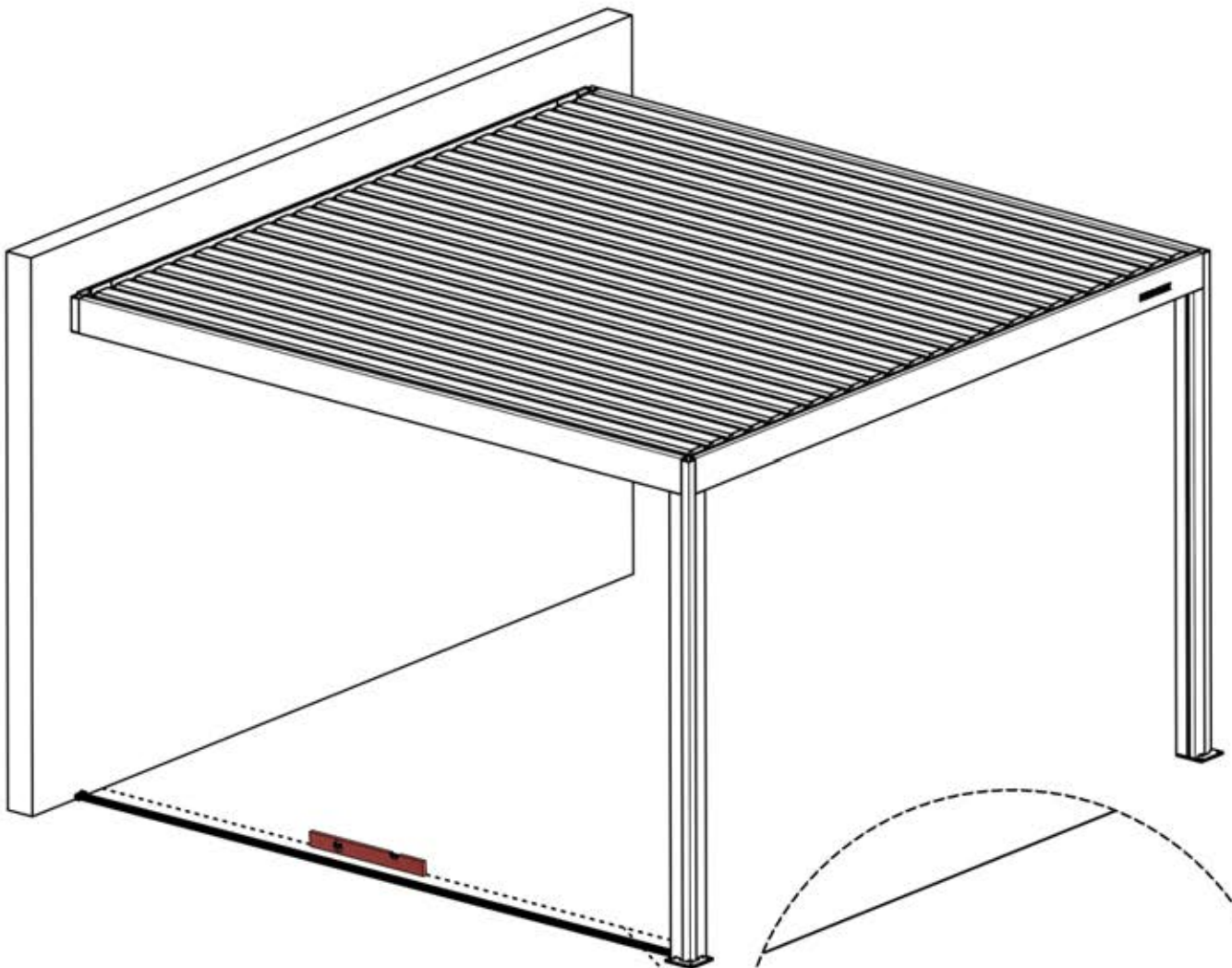
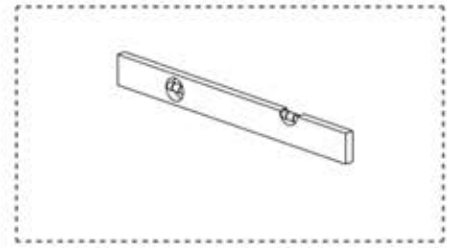
2



3

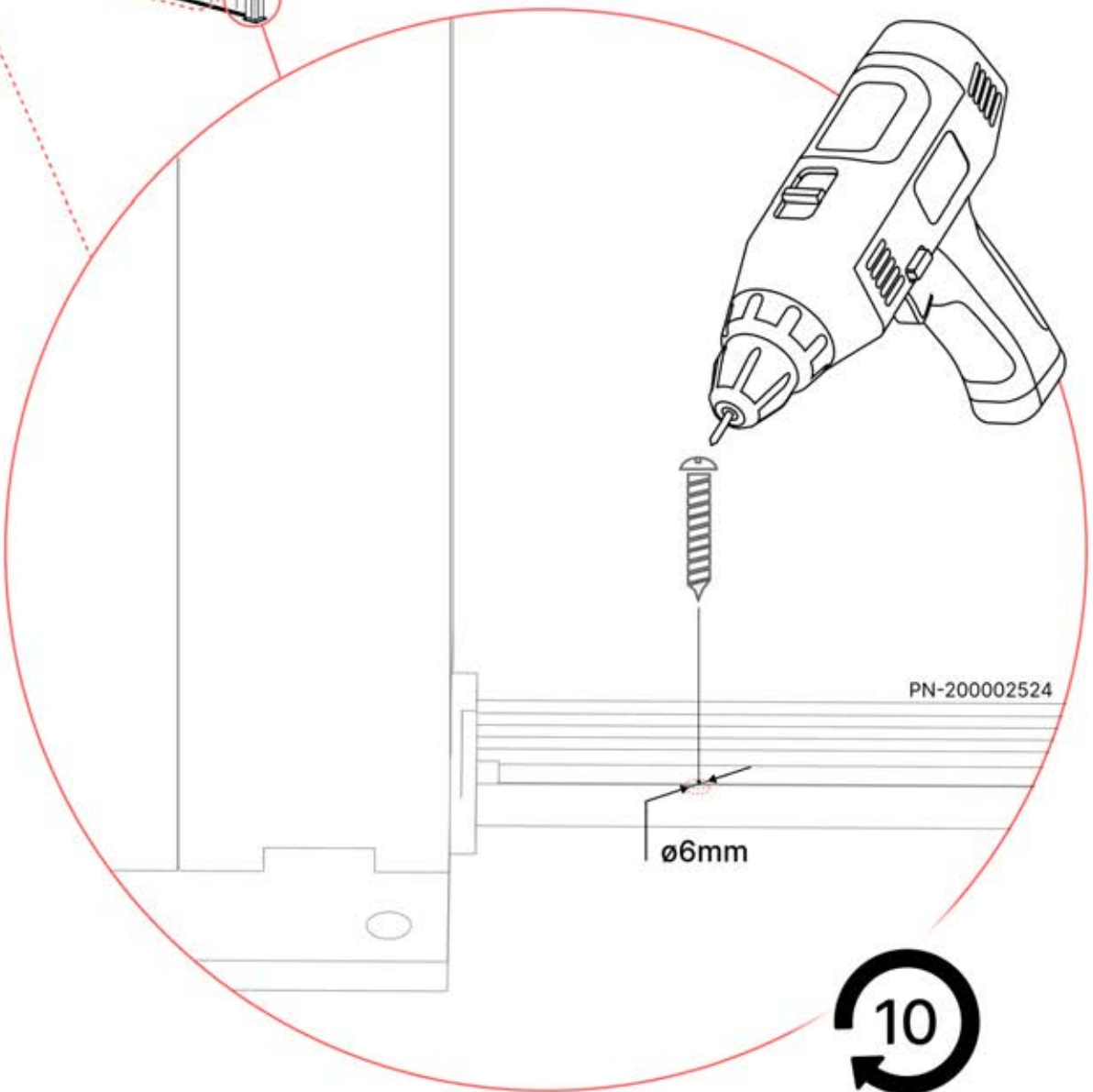
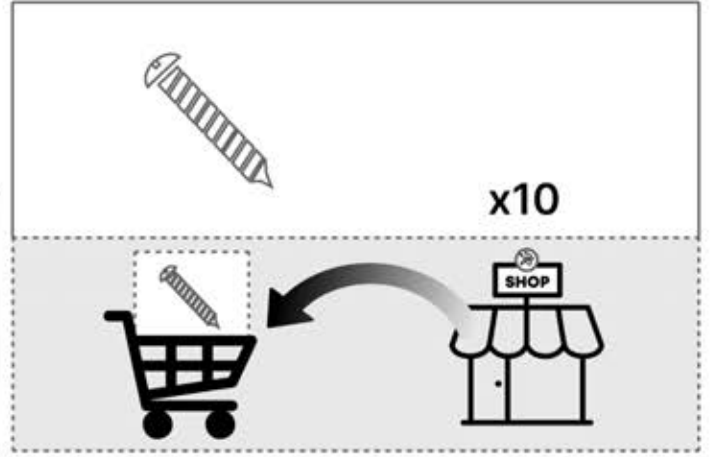
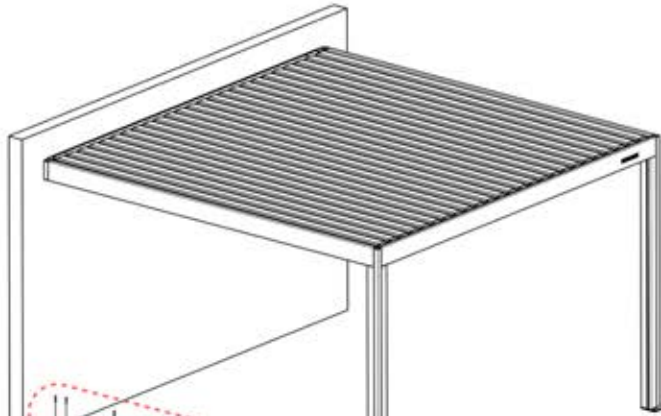


PERGOLUX | SLAT WALL
INFORMATION

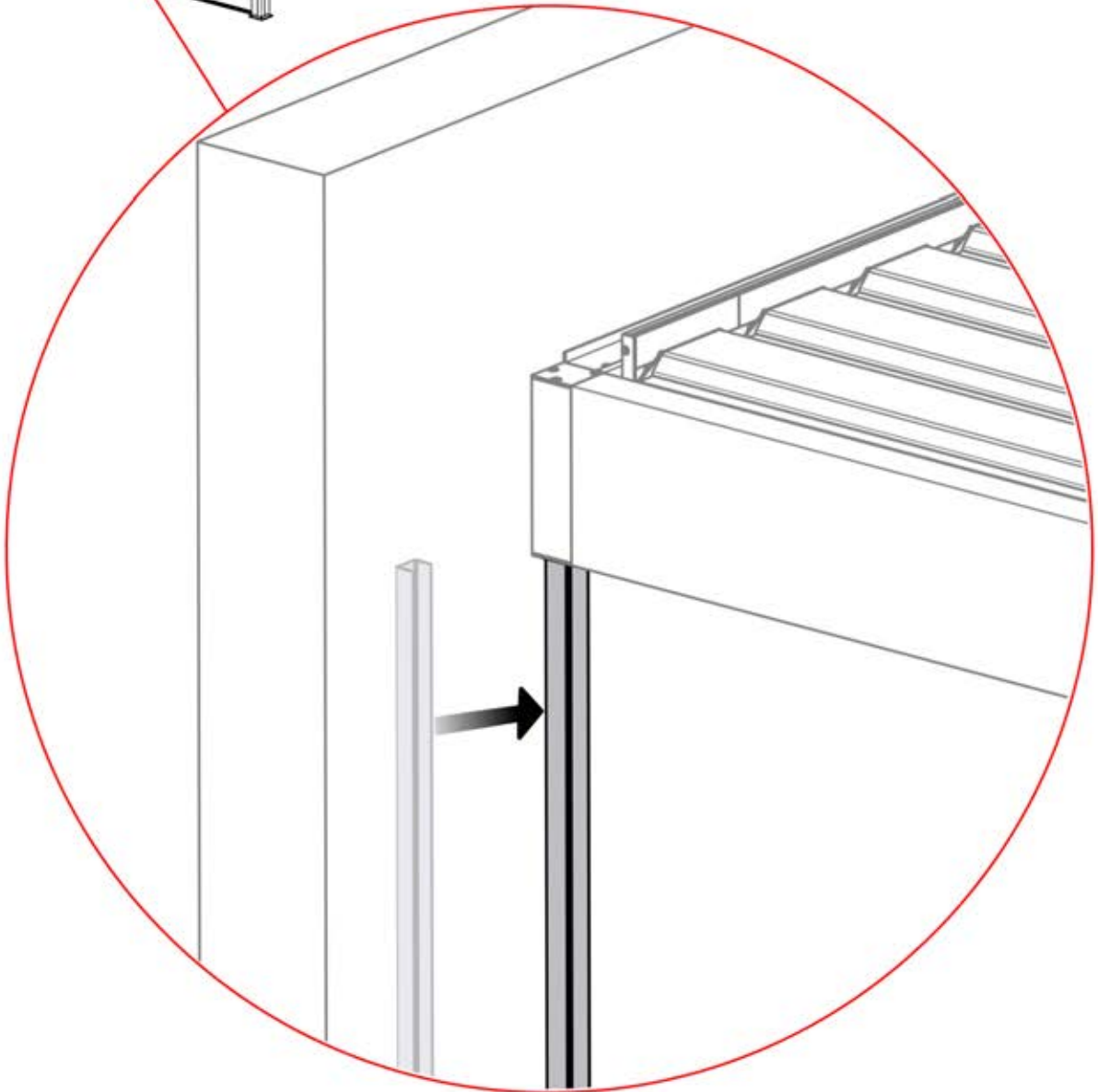
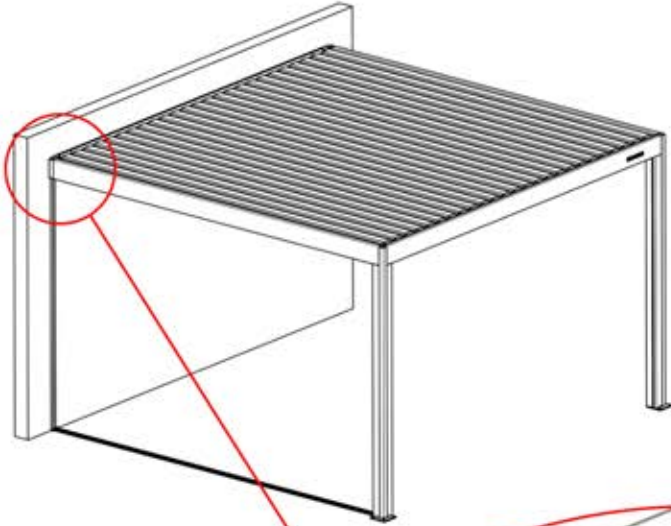
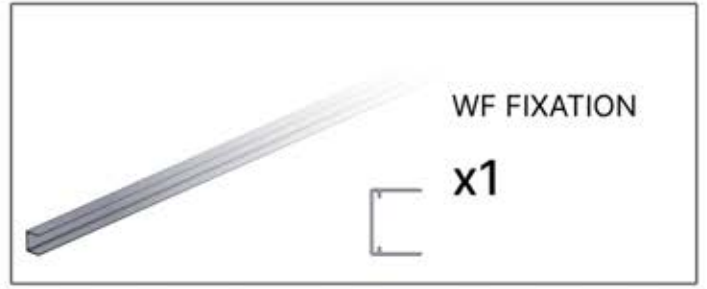


Use a spirit level to align the ground fixation part, ensuring it is exactly parallel to the centerline of the front pole.

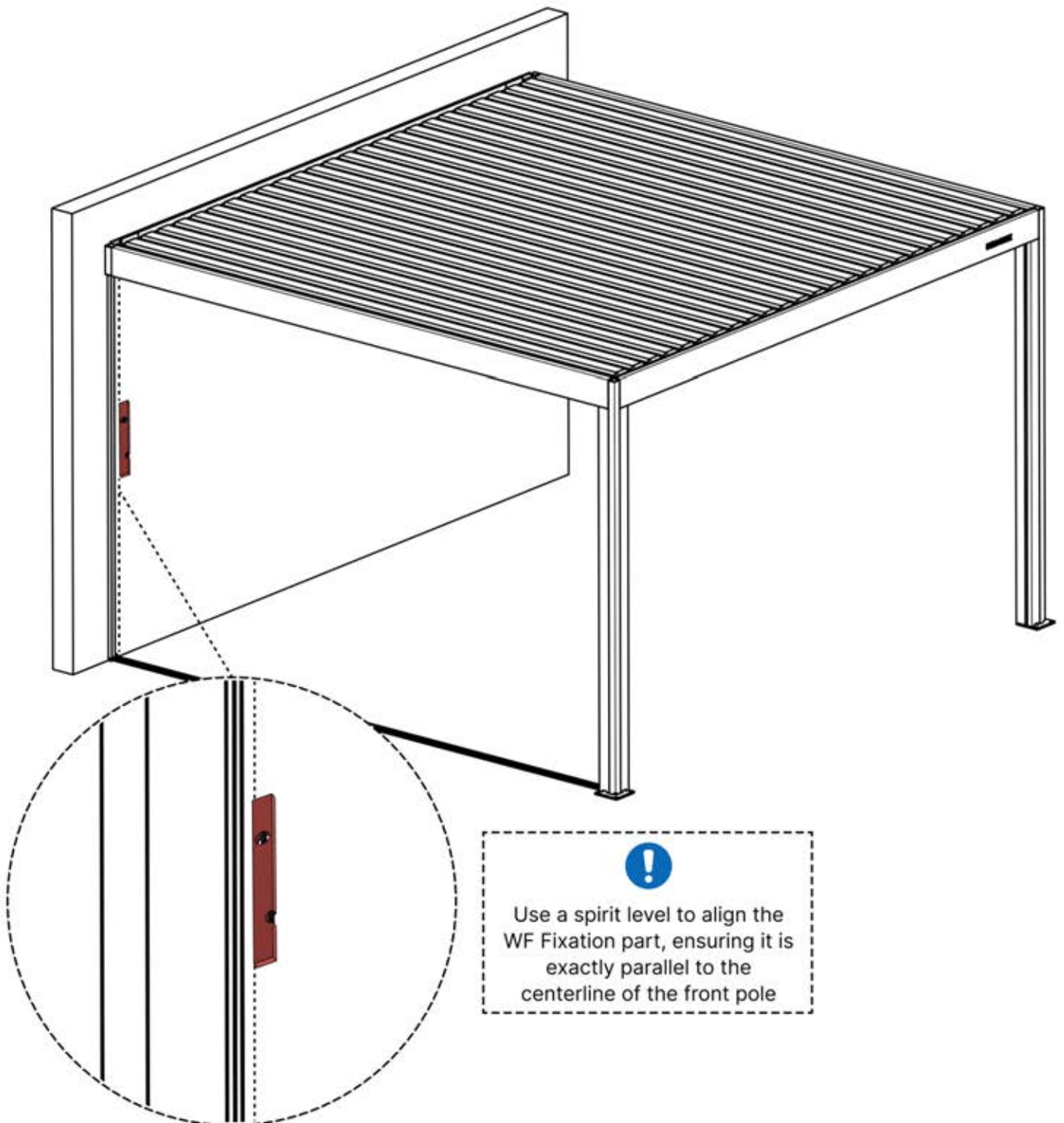
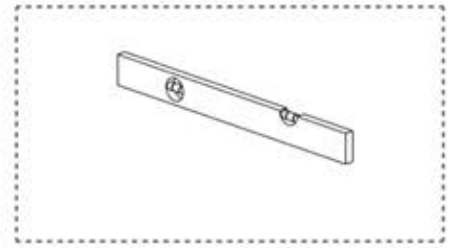
4




5

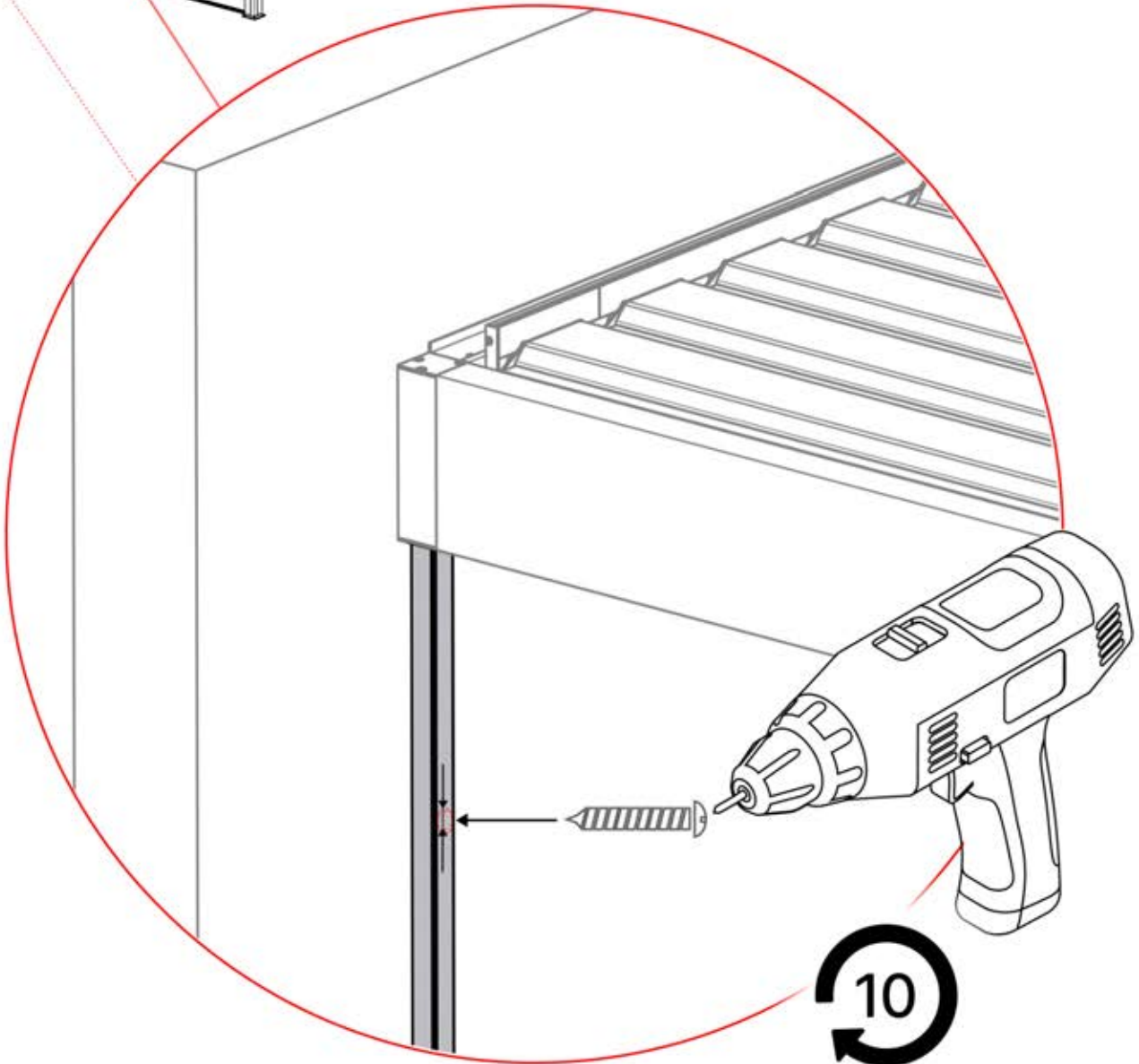
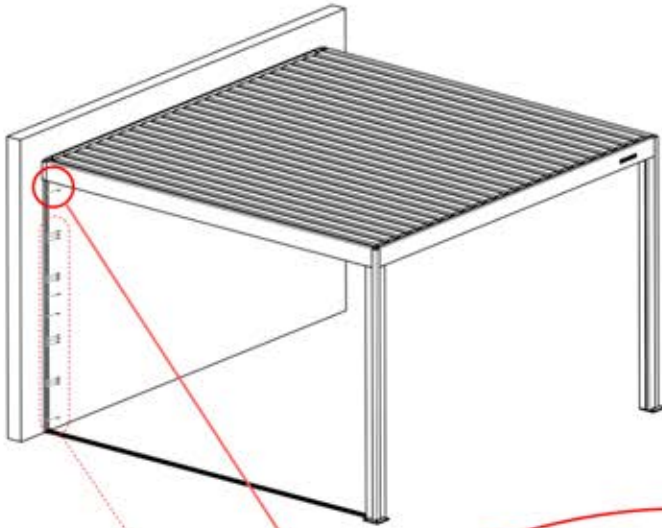
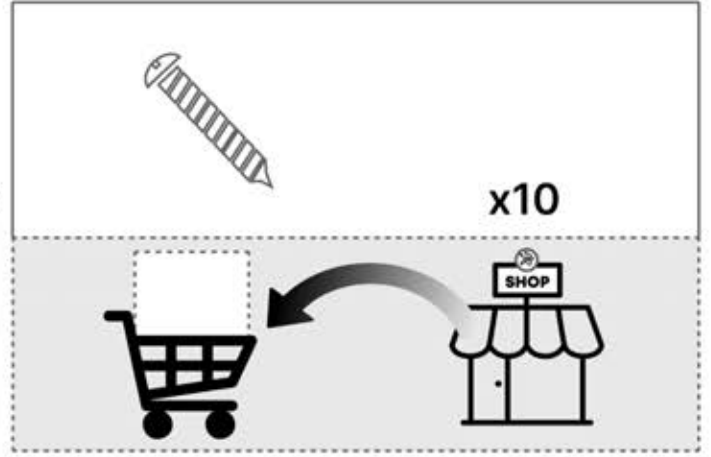


PERGOLUX | SLAT WALL
INFORMATION

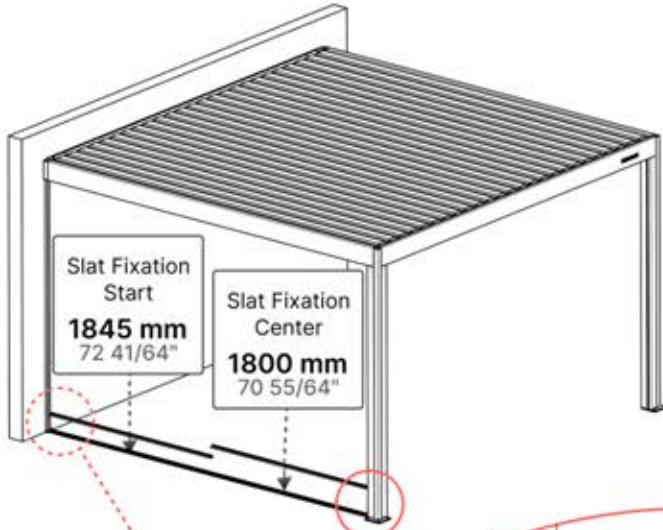



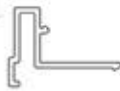



Use a spirit level to align the
WF Fixation part, ensuring it is
exactly parallel to the
centerline of the front pole

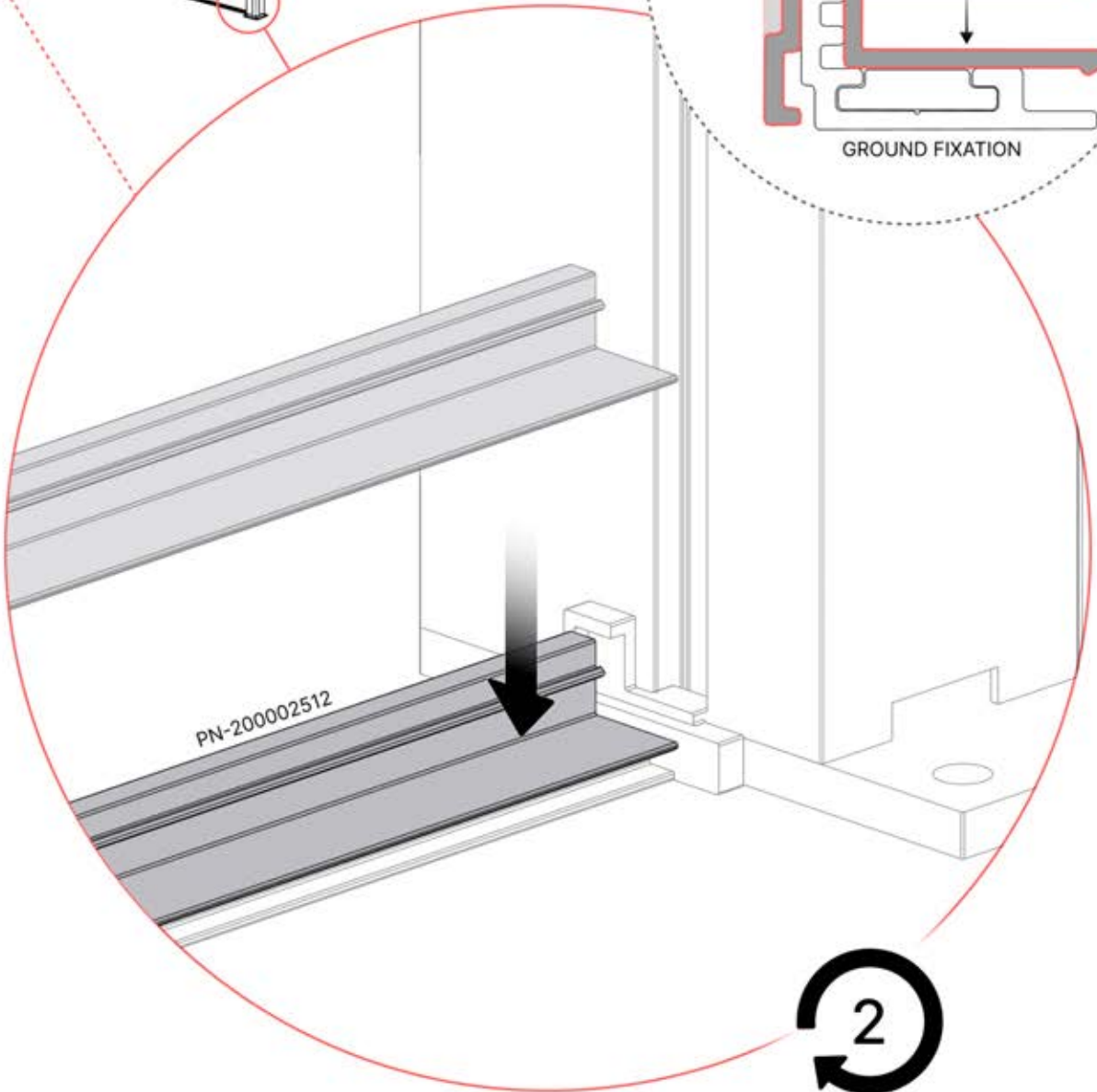
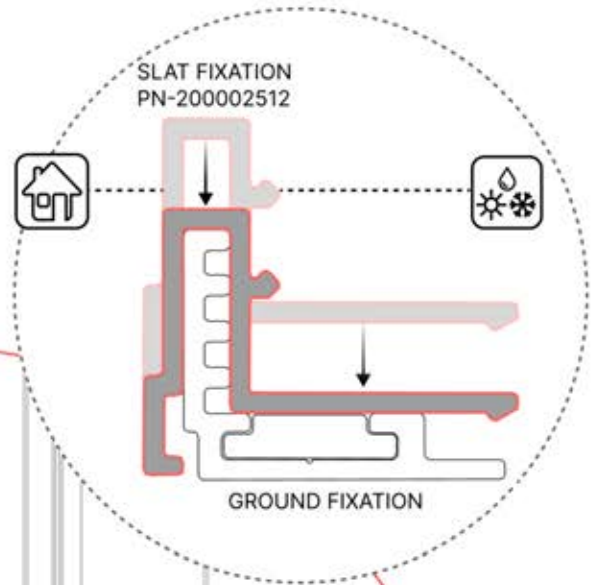
6



7

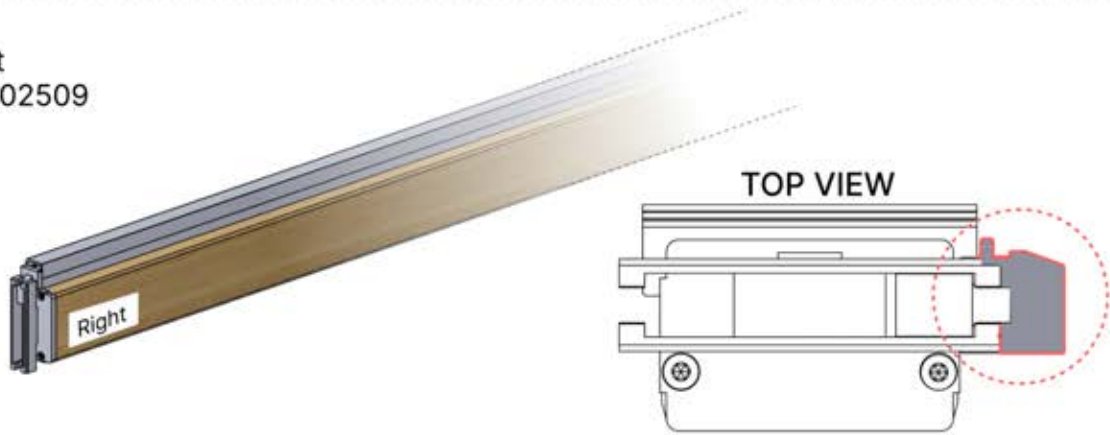


| | | |
|--|---|--------------------------------------|
|  1845 mm 72 41/64" |  | Slat Fixation Start PN-200002529 |
| 1x | | |
|  1800 mm 70 55/64" |  | Slat Fixation Center PN-200002512 |
| 1x | | |

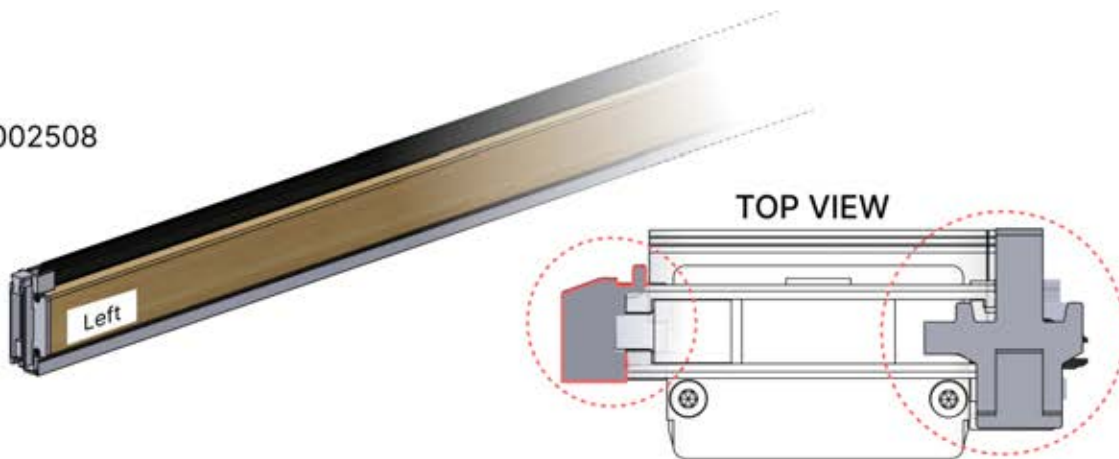


SLAT OVERVIEW

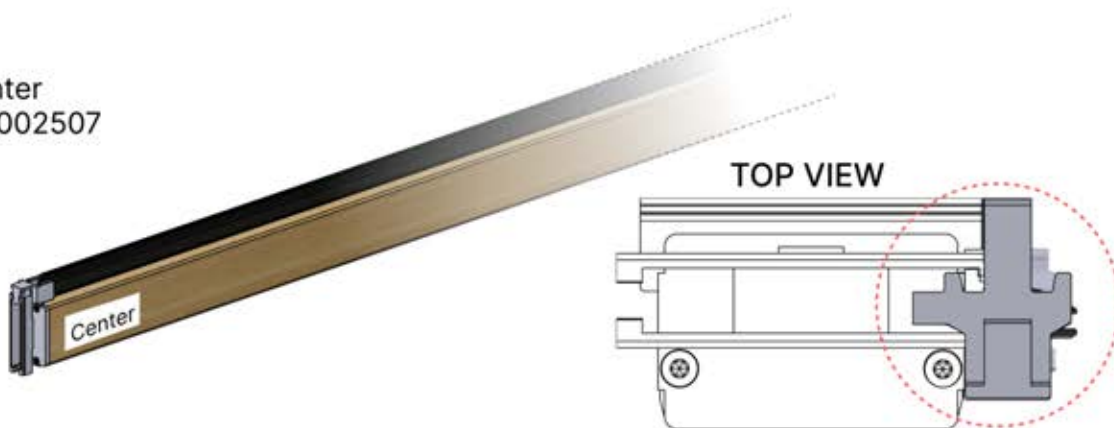
Slat Right
PN-200002509
1x



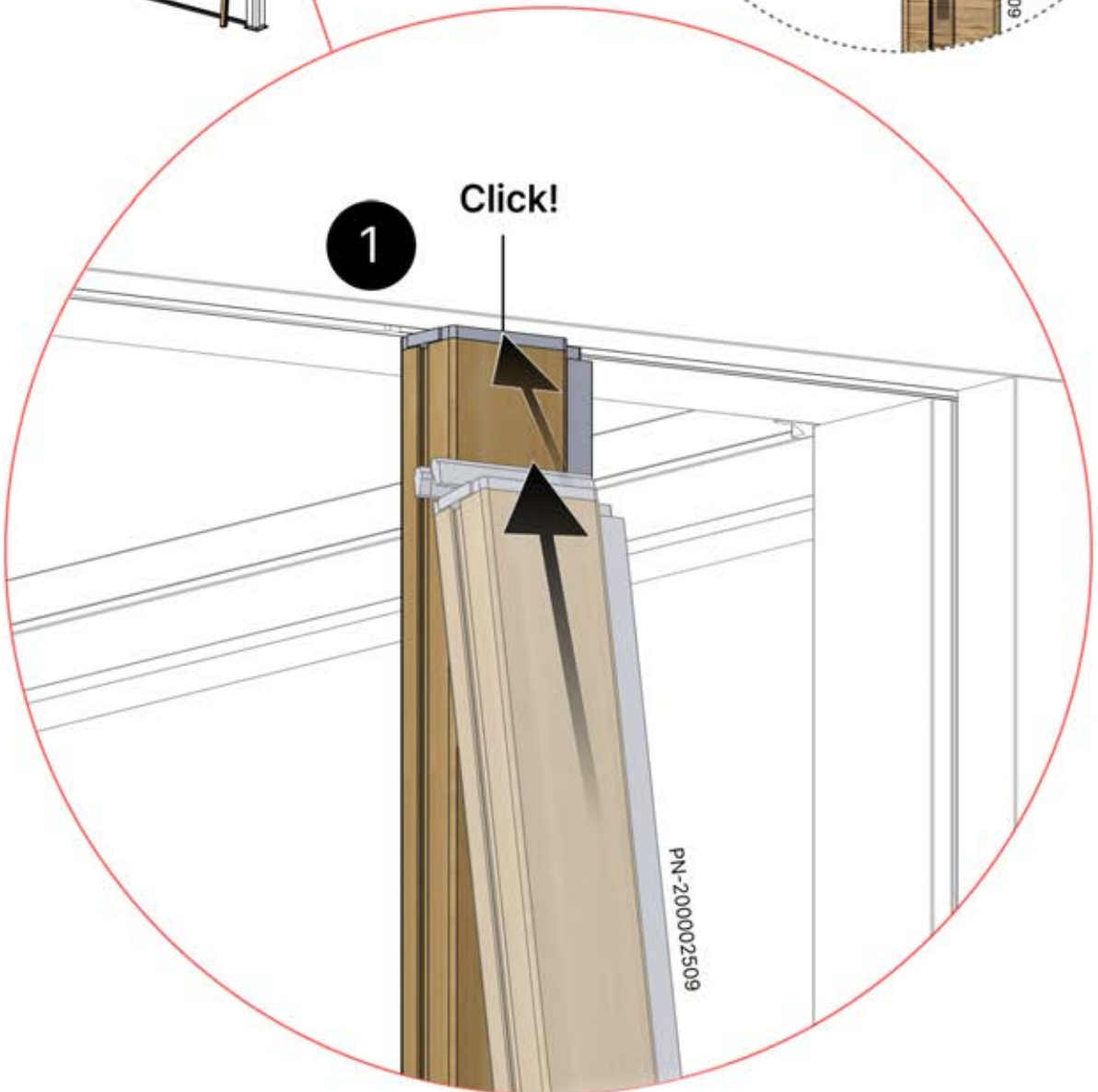
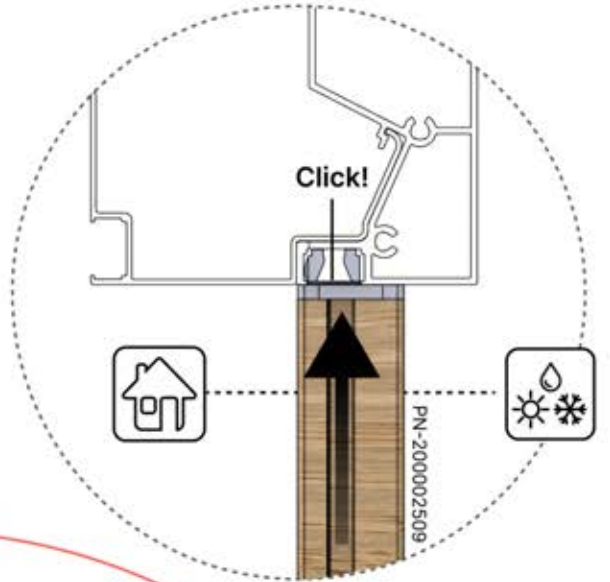
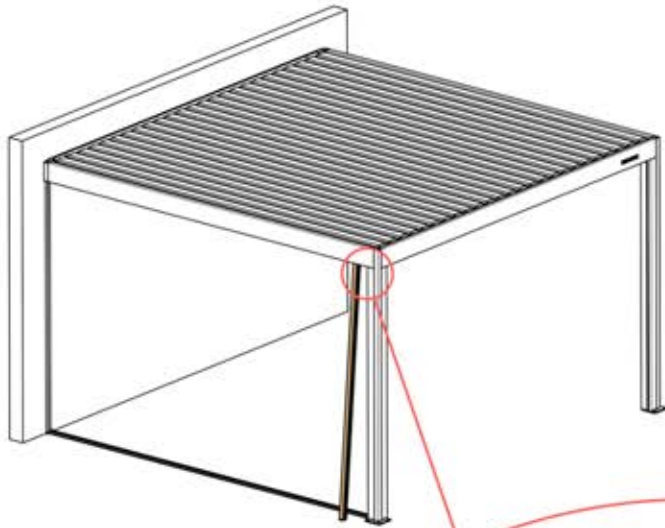
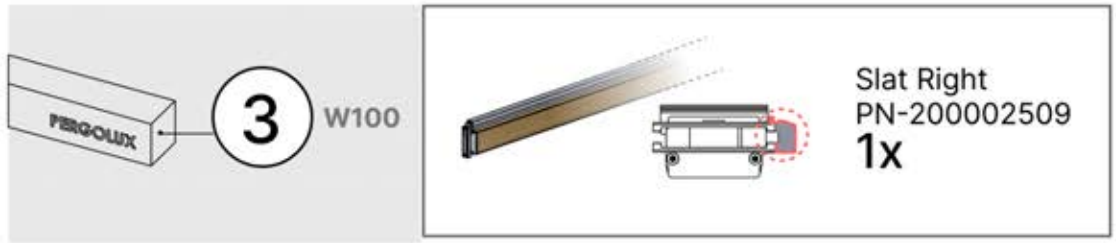
Slat Left
PN-200002508
1x



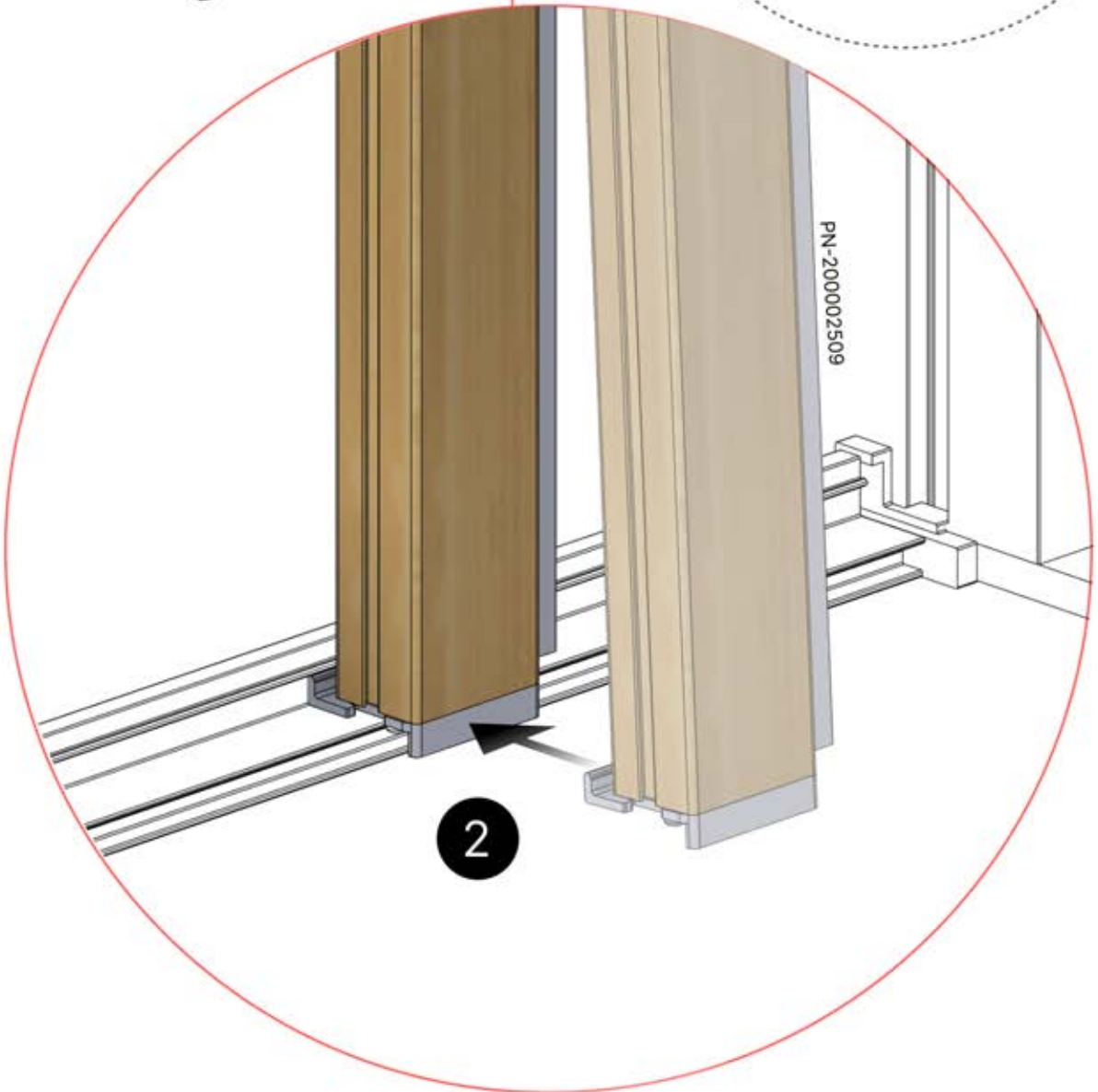
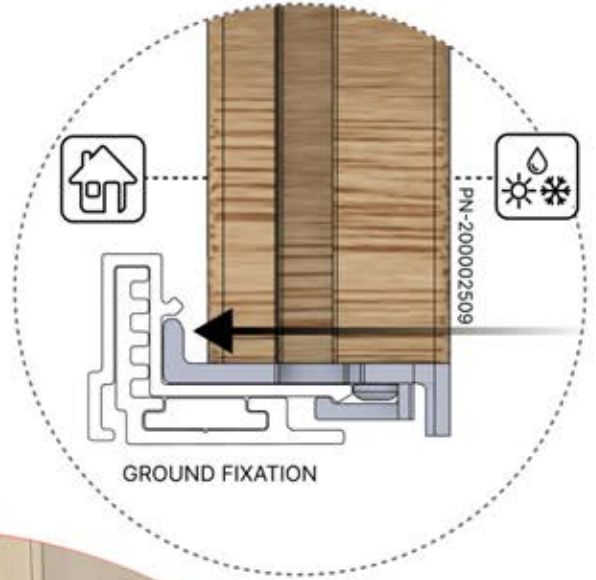
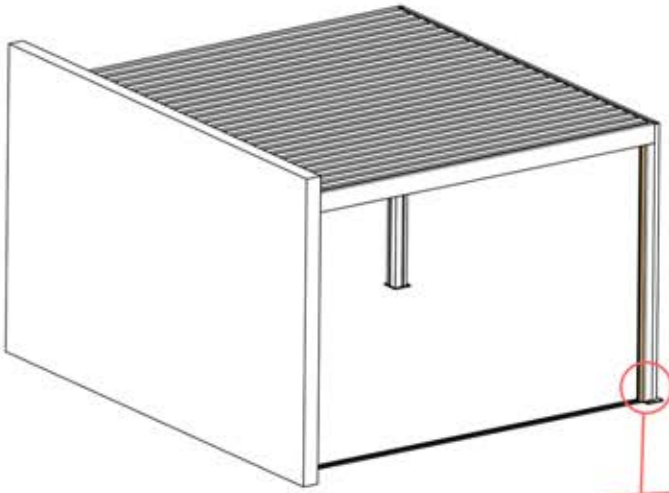
Slat Center
PN-200002507
59x



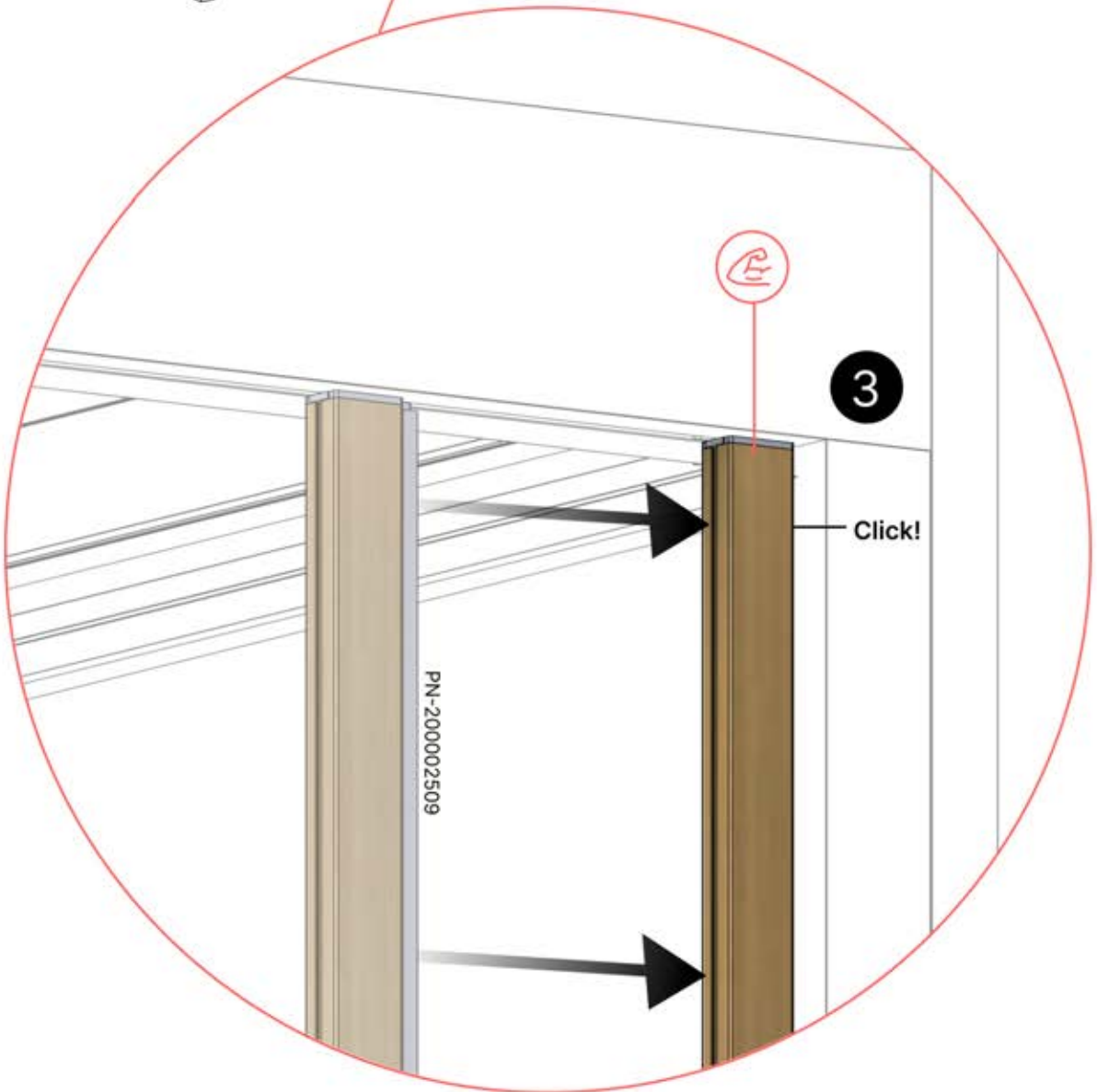
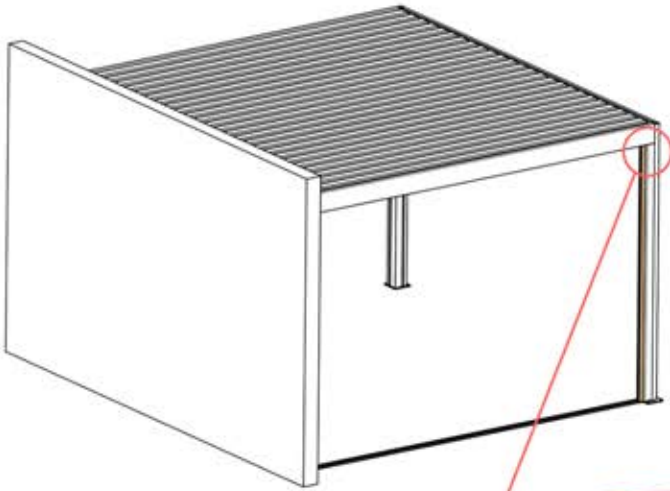
8



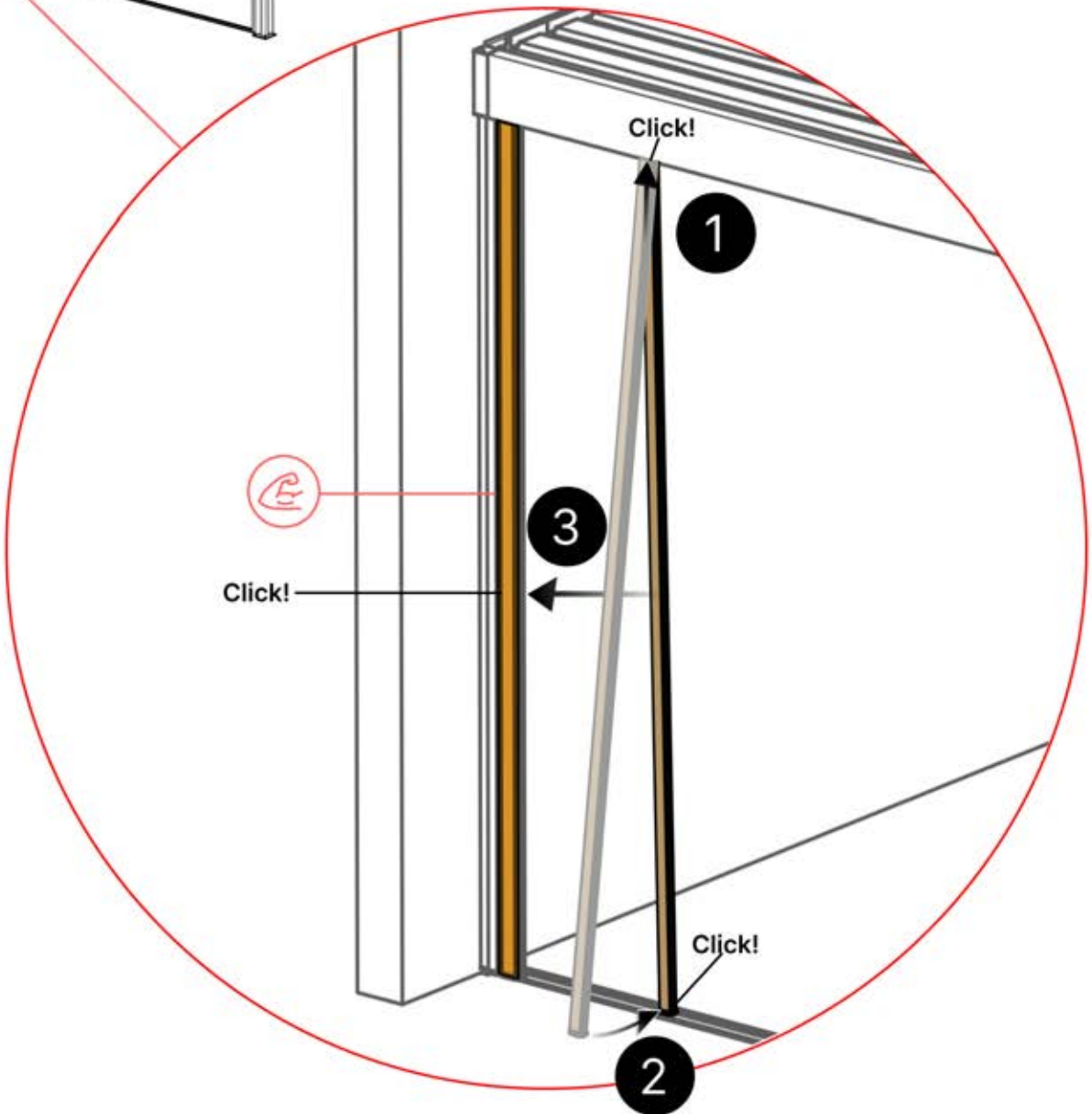
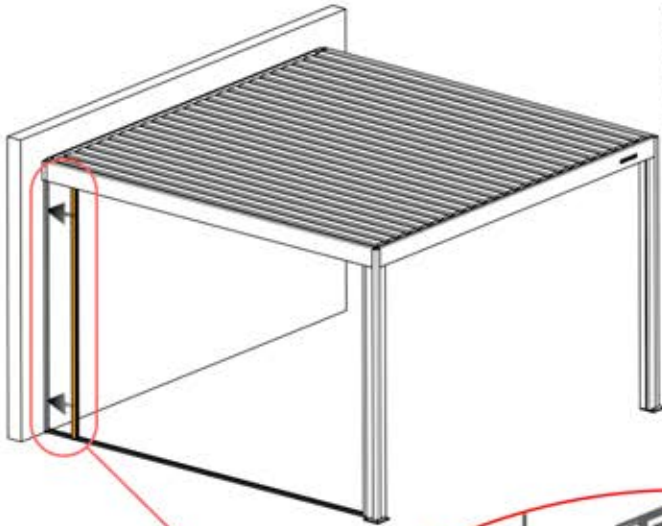
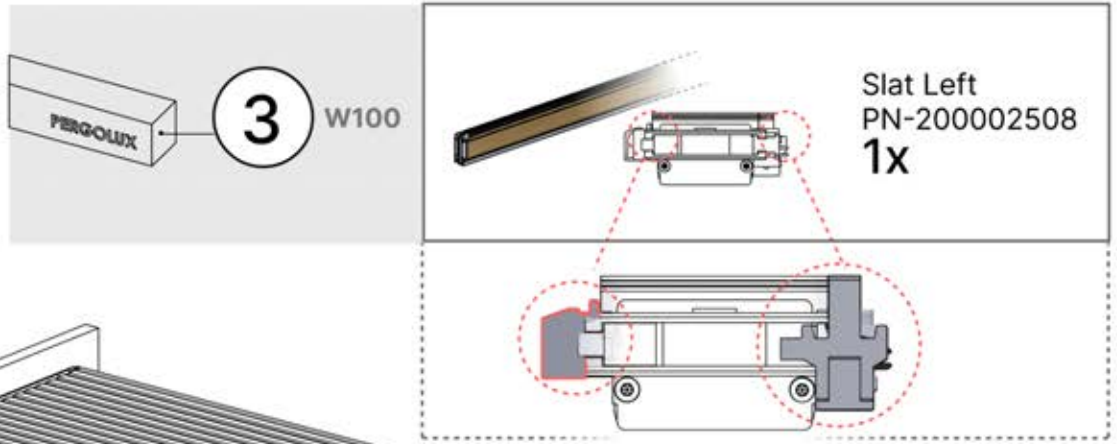
9



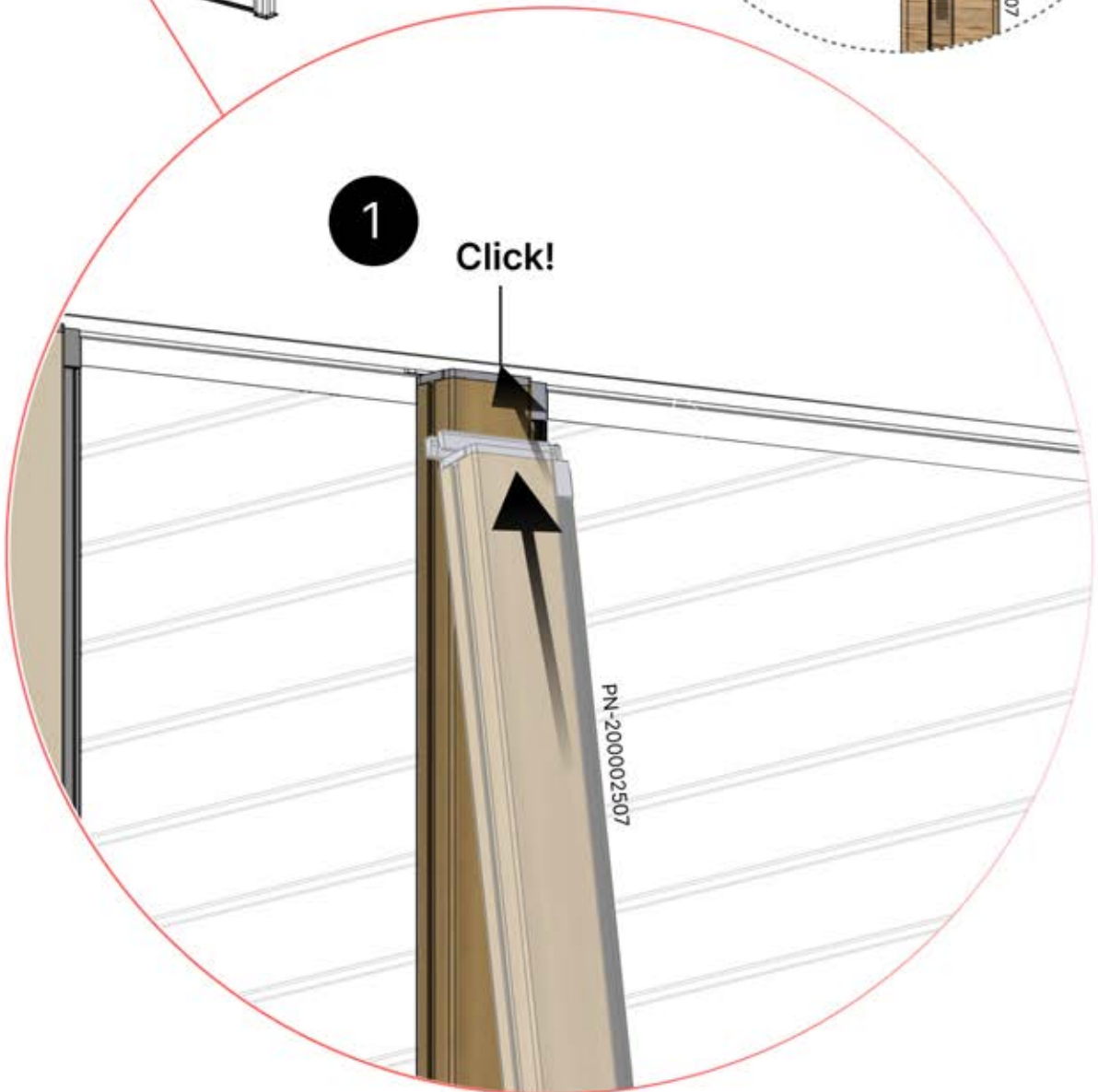
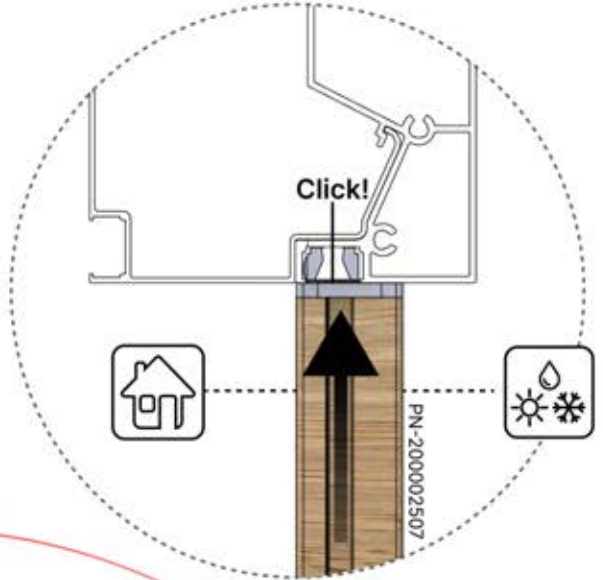
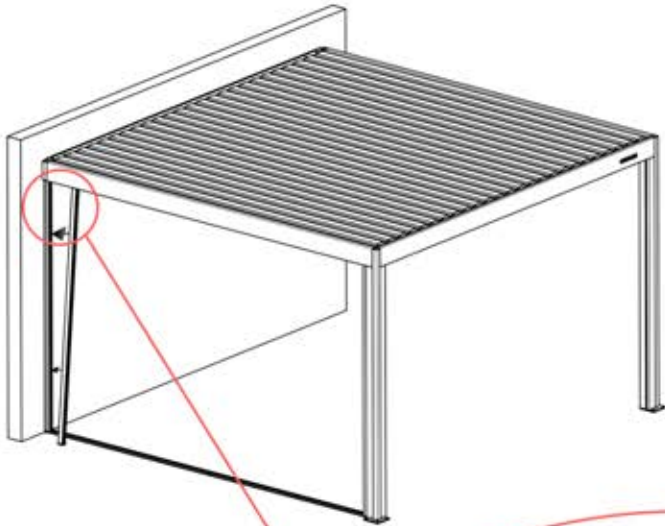
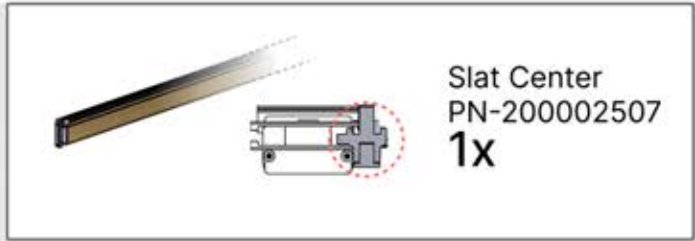
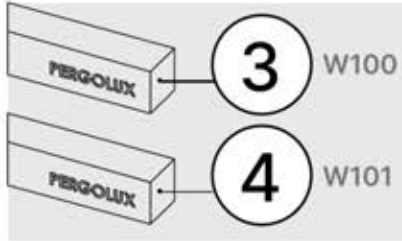
10



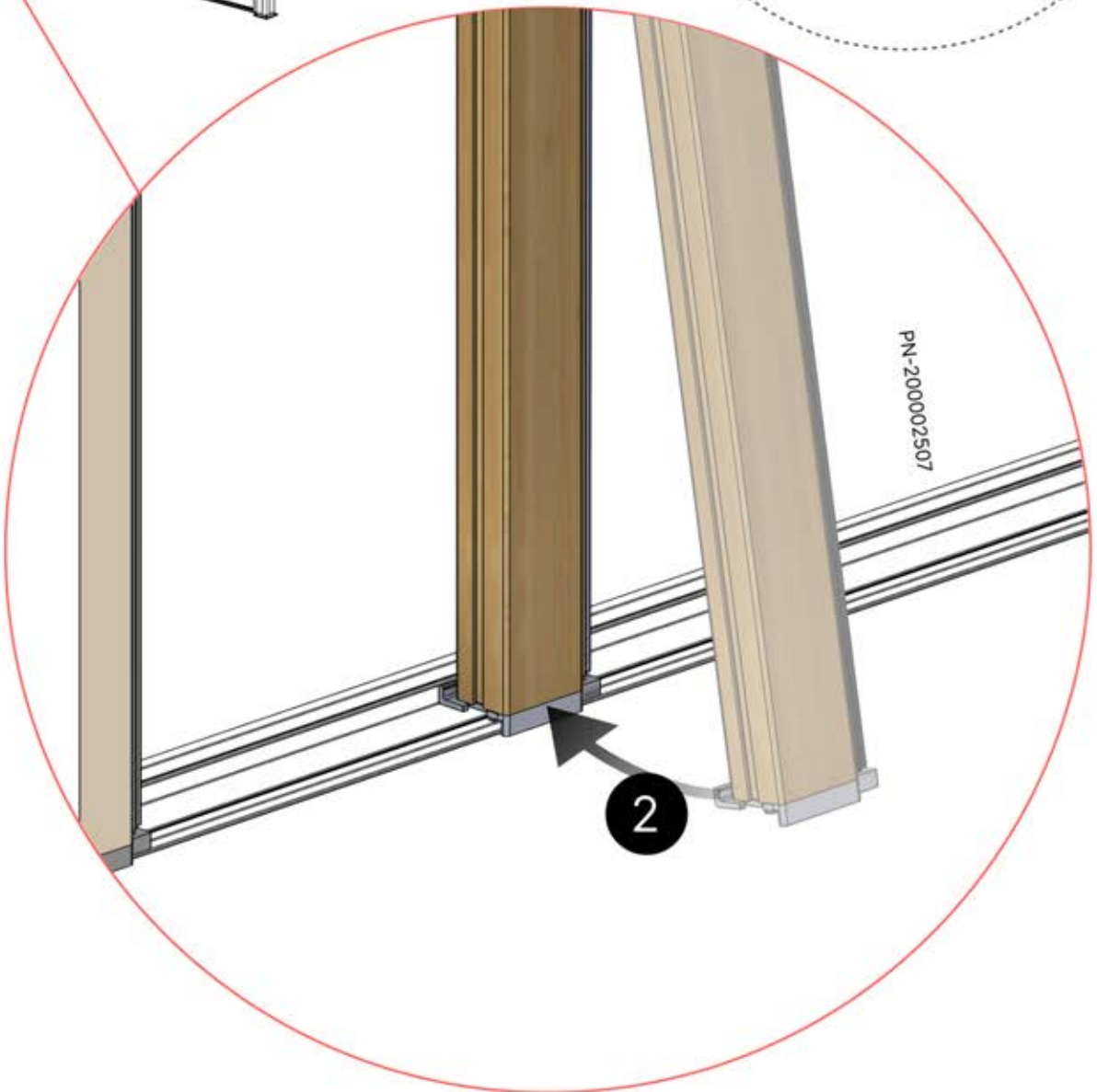
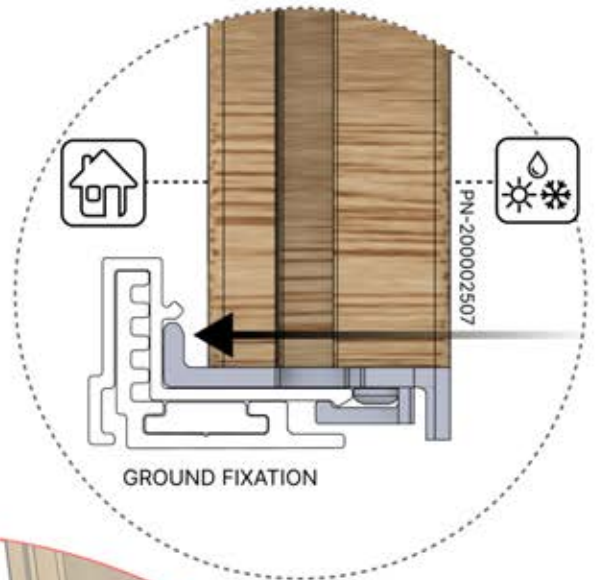
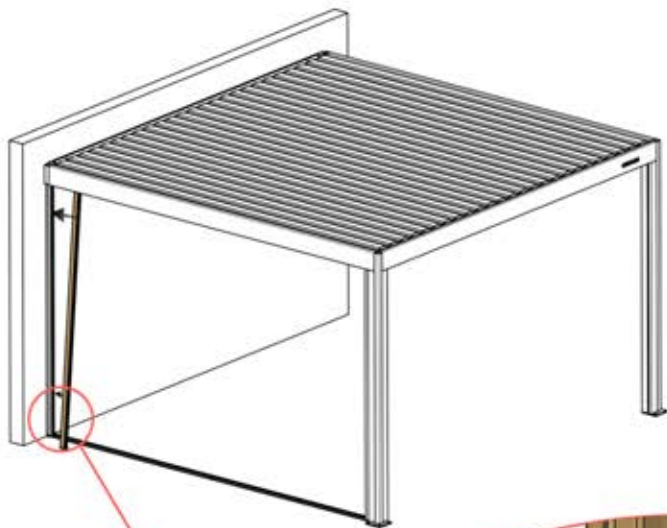
11



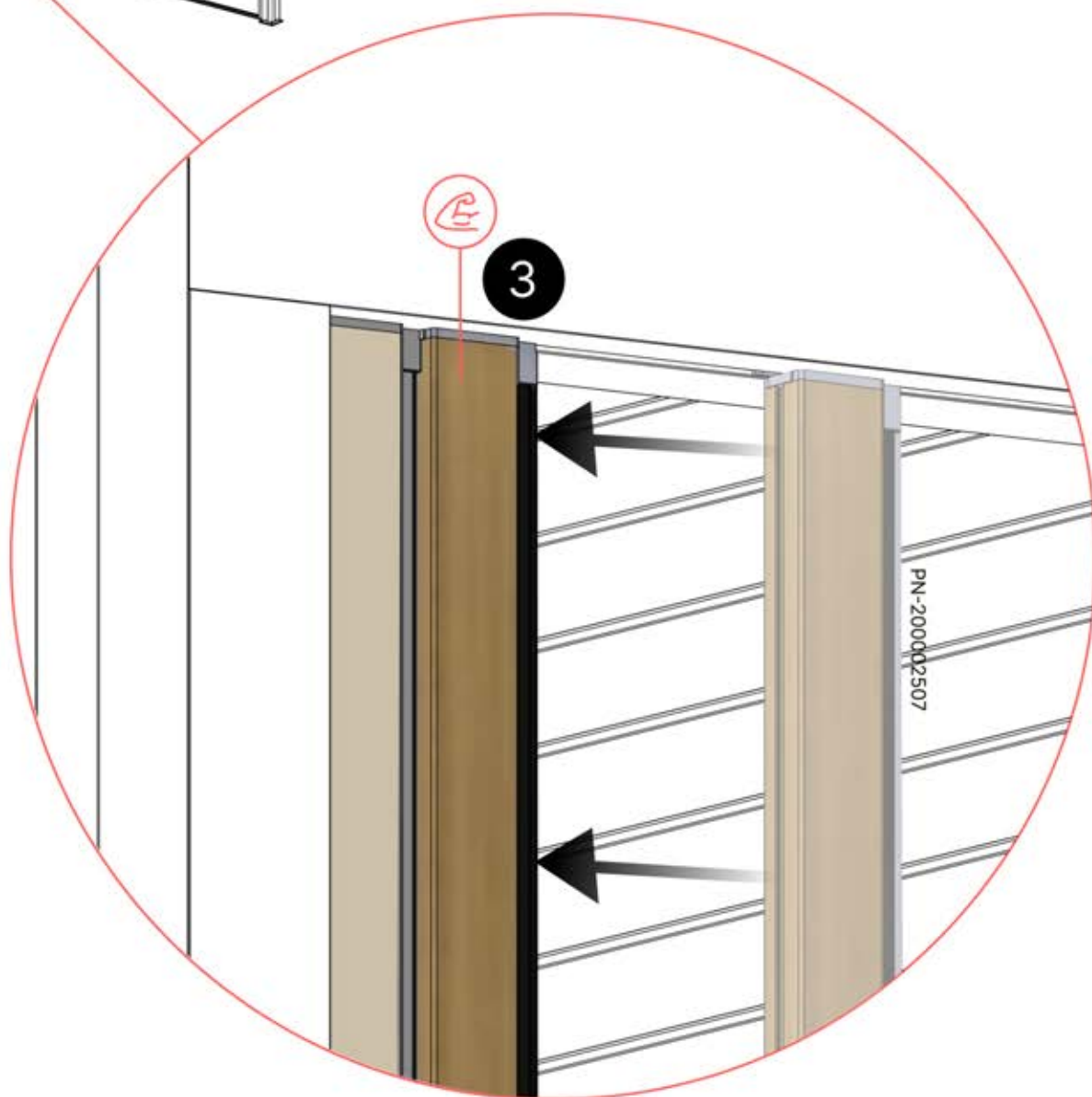
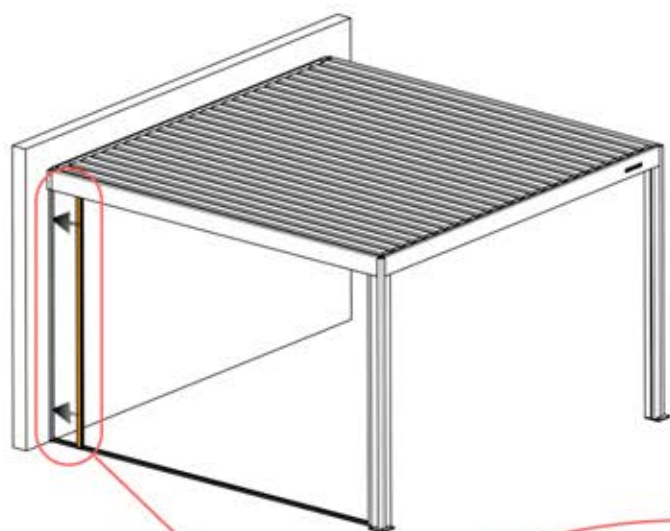
12



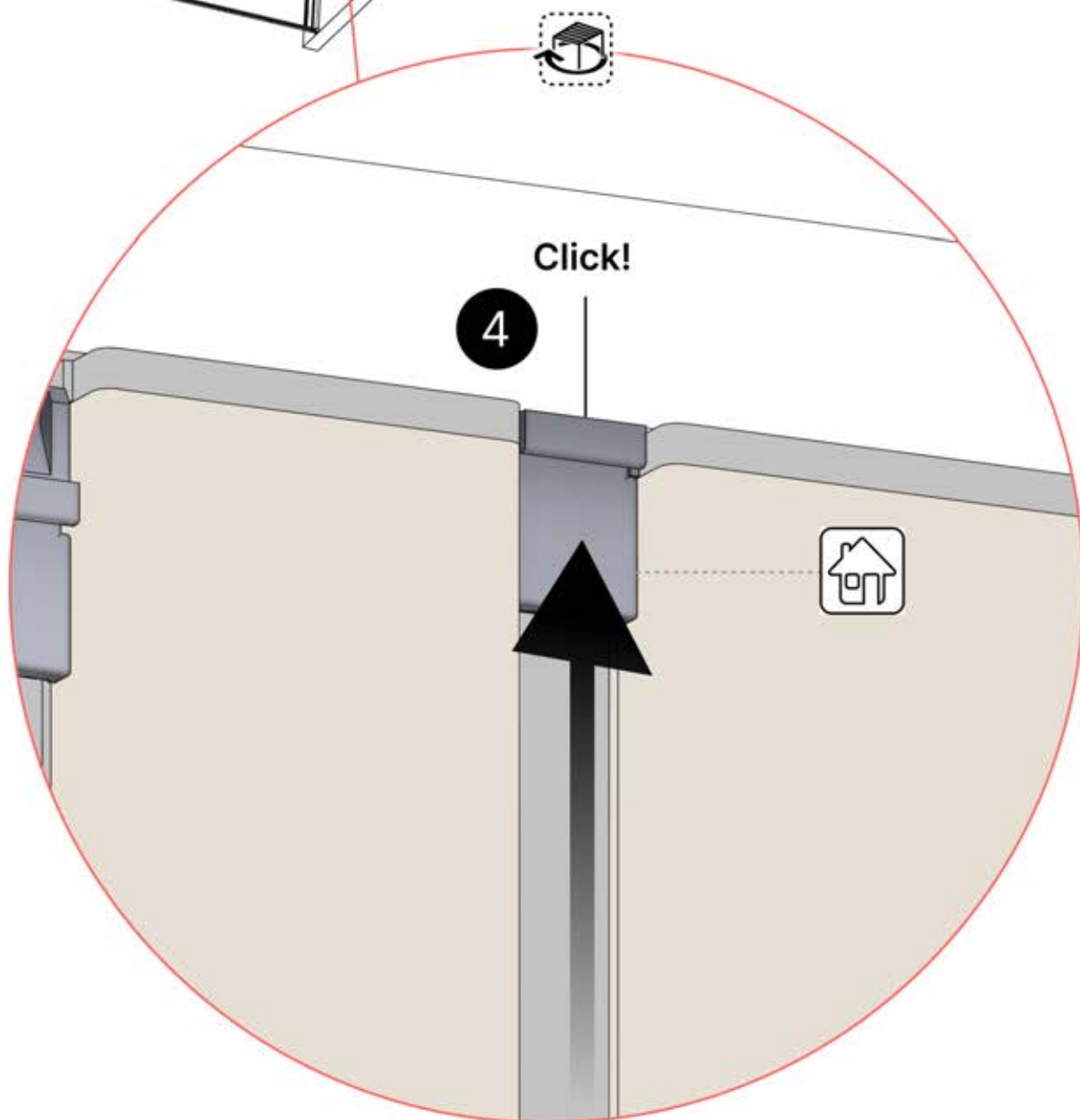
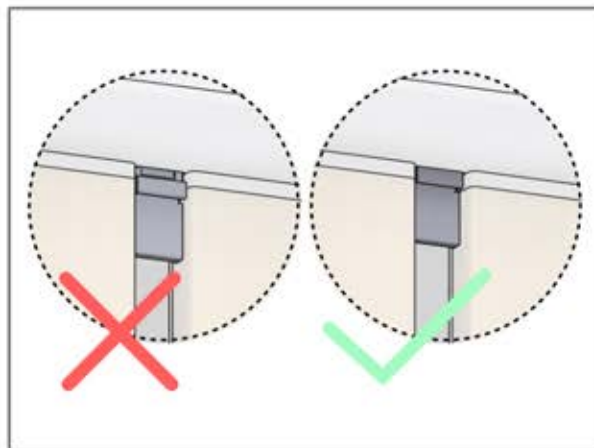
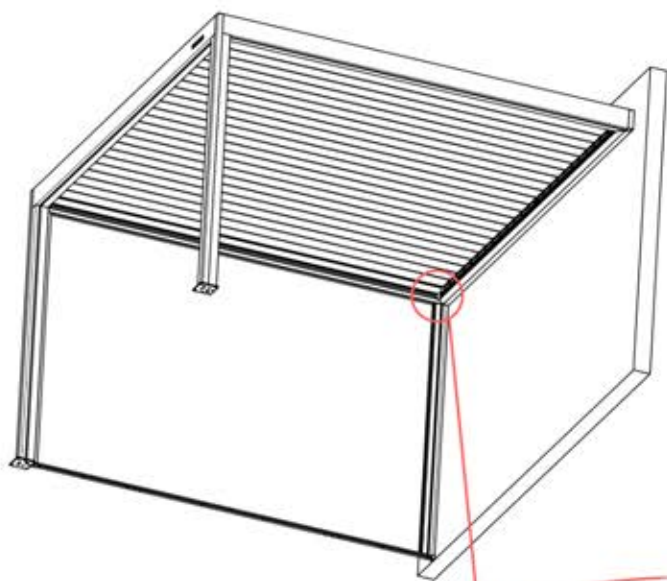
13



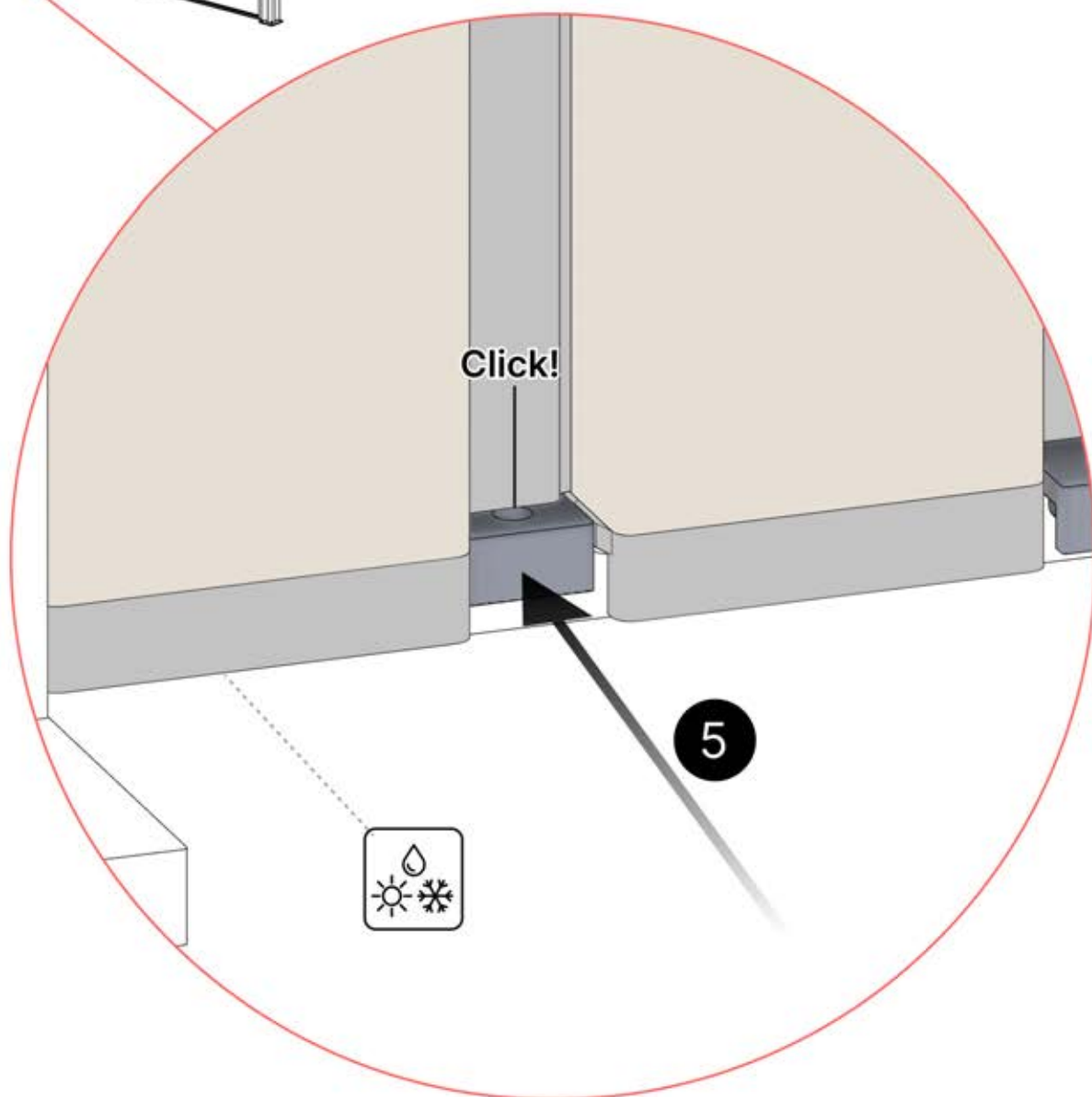
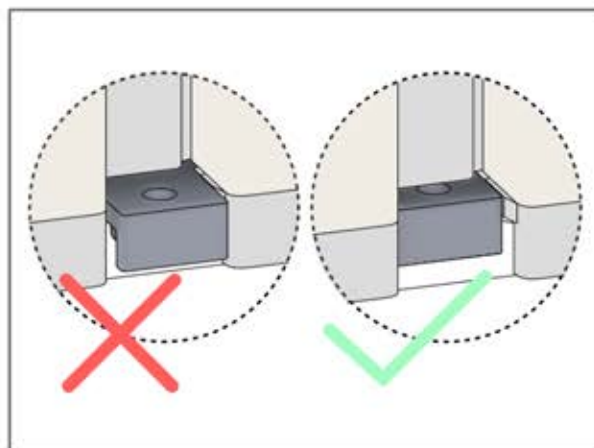
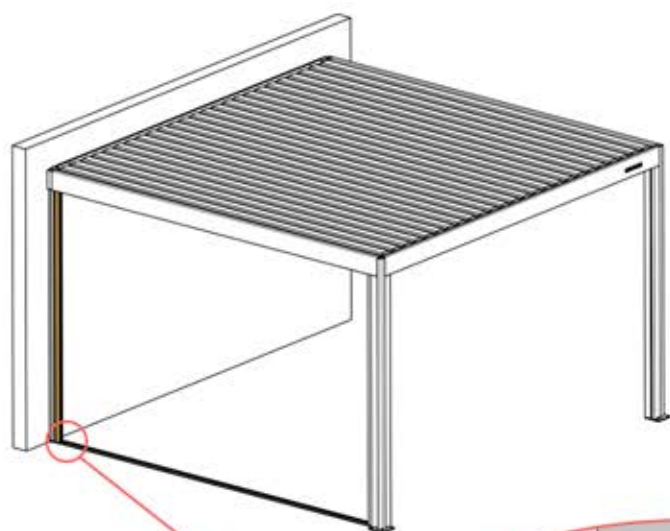
14



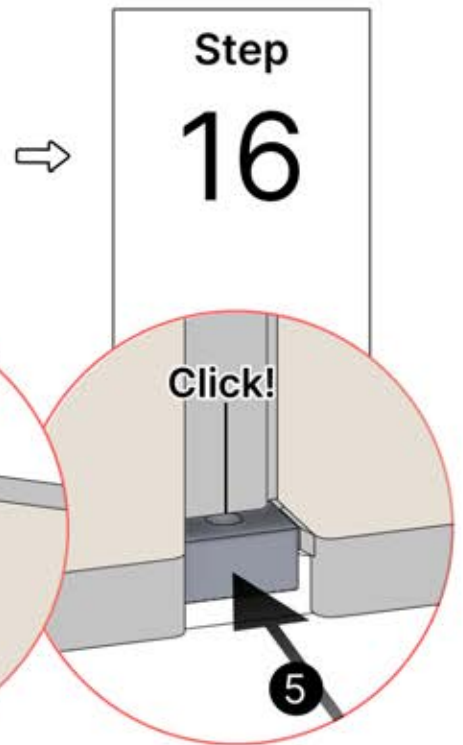
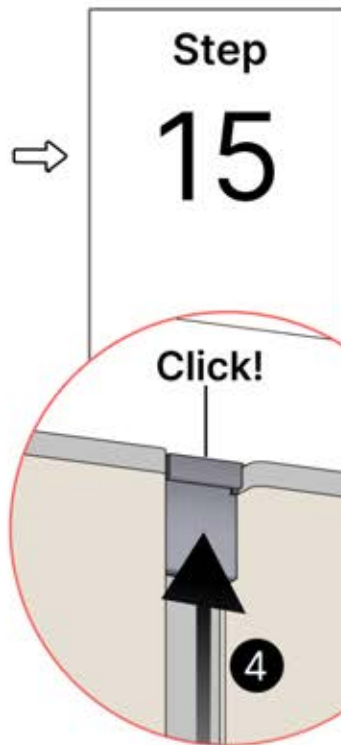
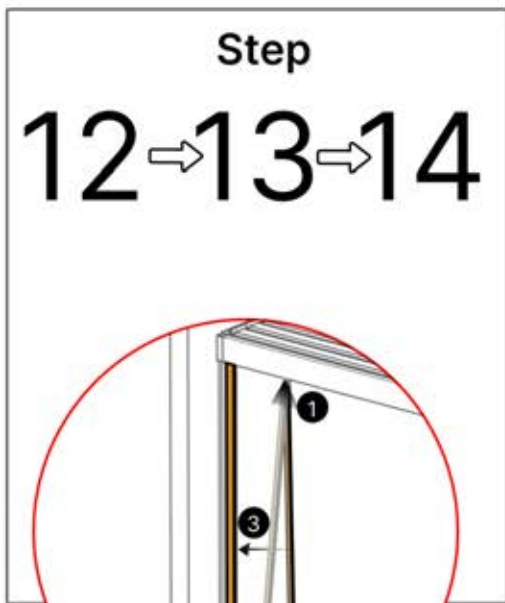
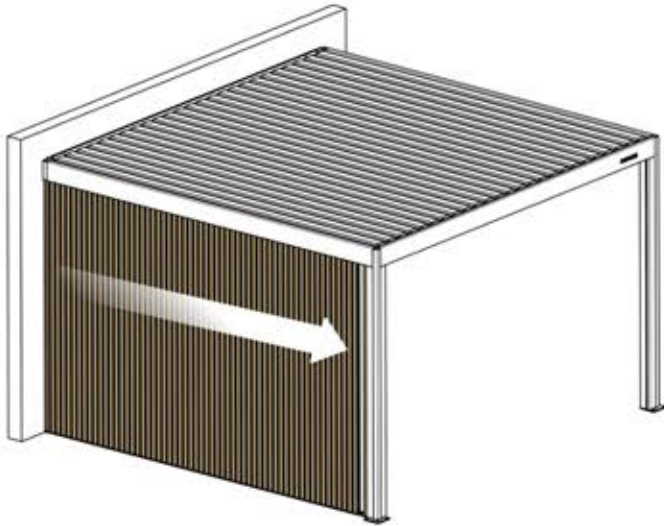
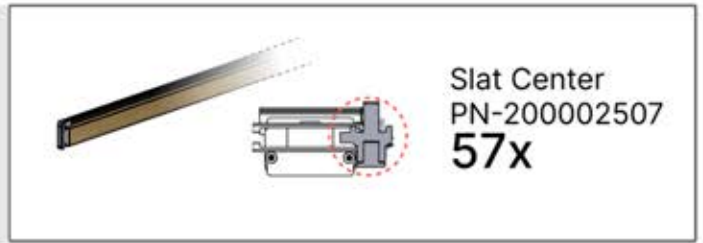
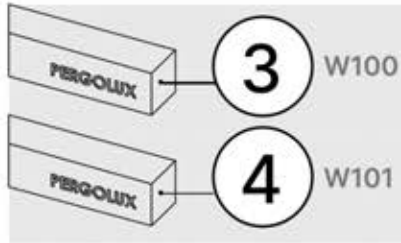
15



16



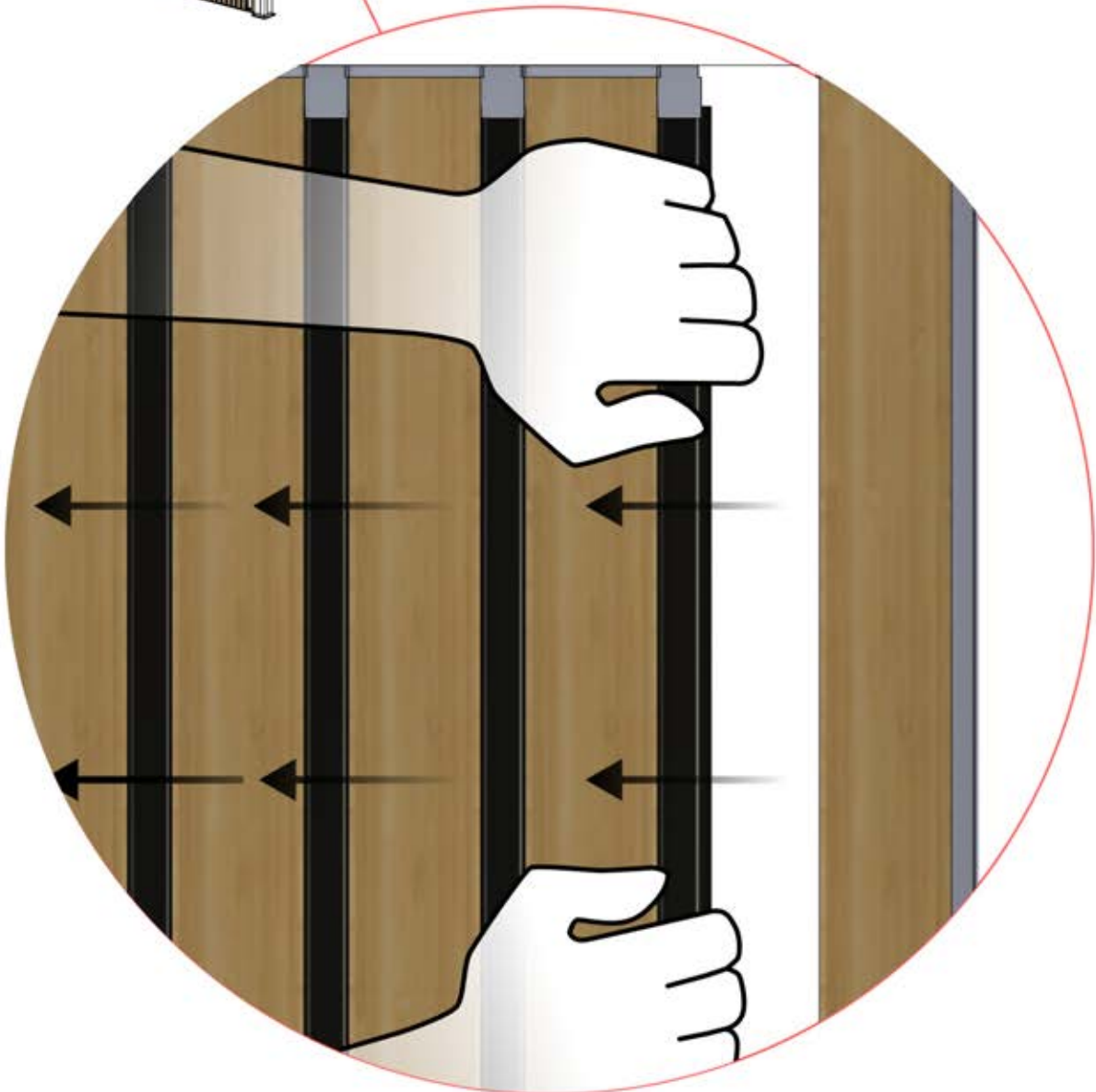
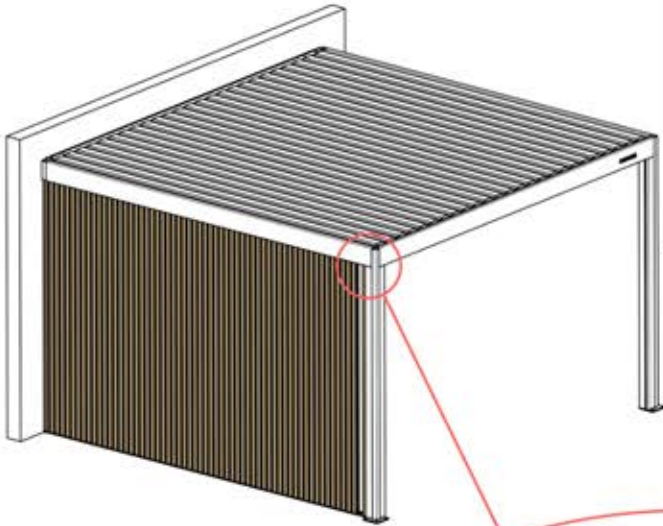
17



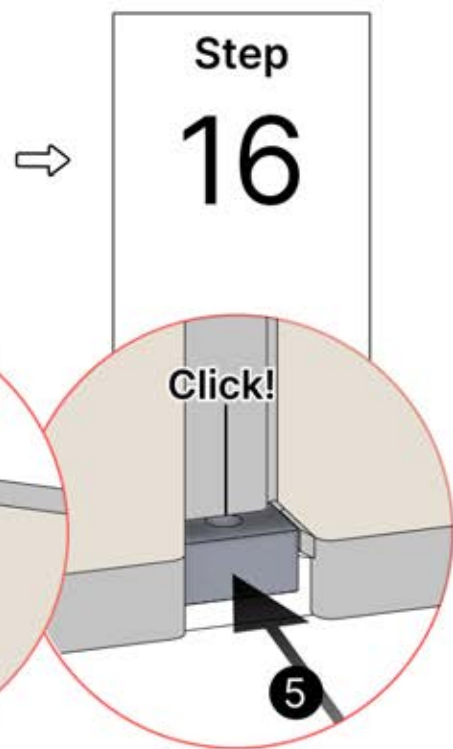
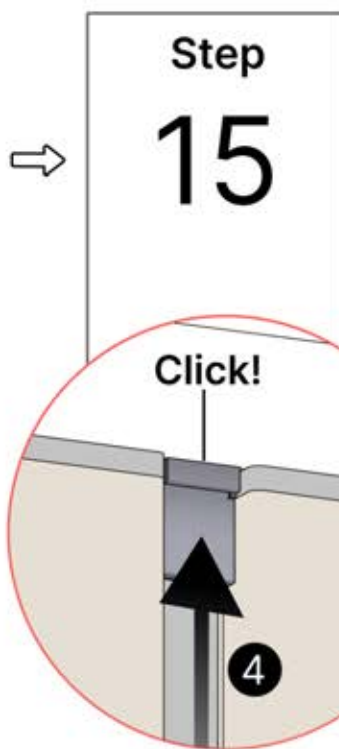
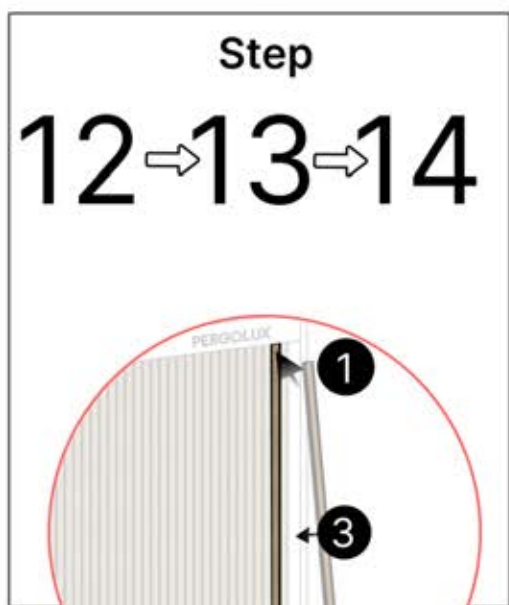
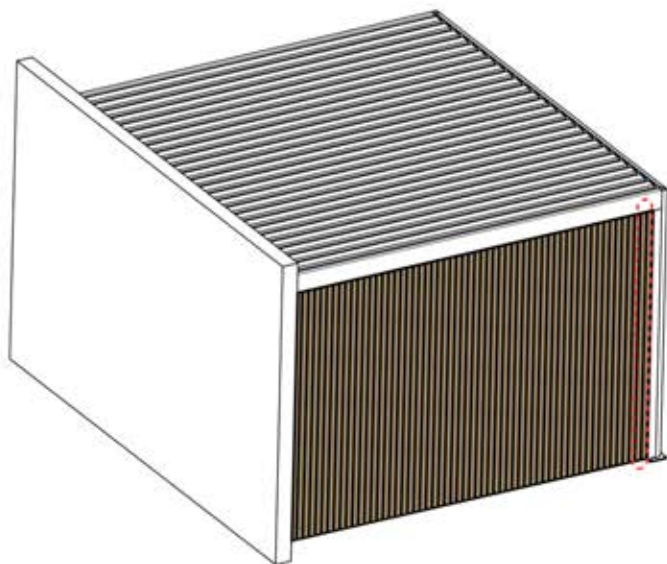
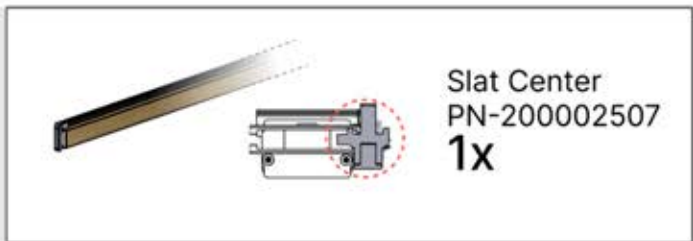
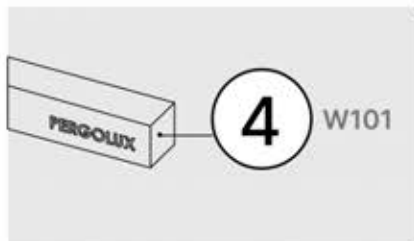
18



The last step can be a bit tricky, we recommend to press all profiles closely together to avoid leaving any gaps, which could prevent the last profile from fitting in place.



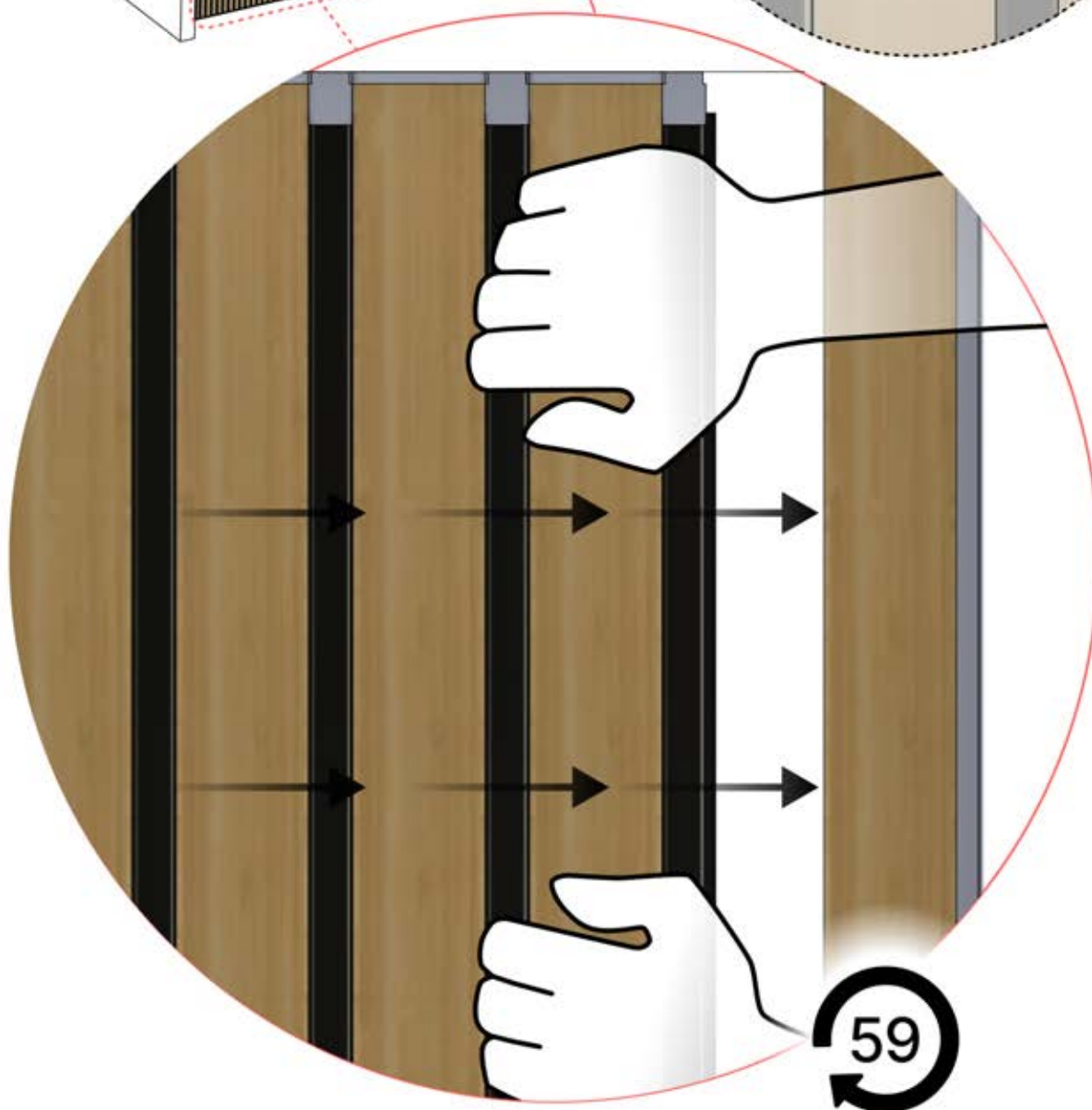
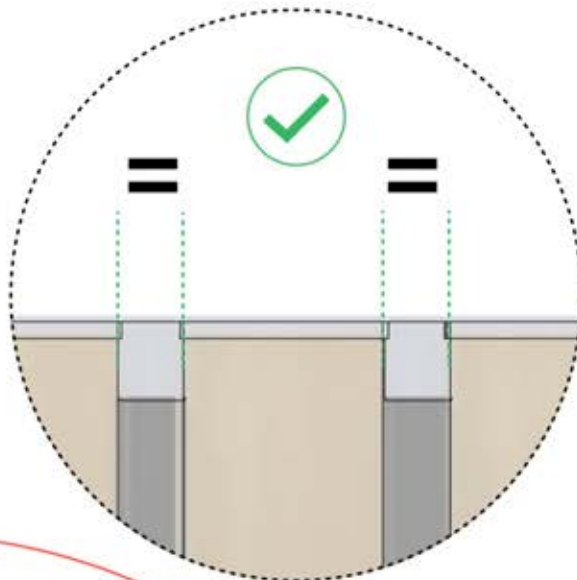
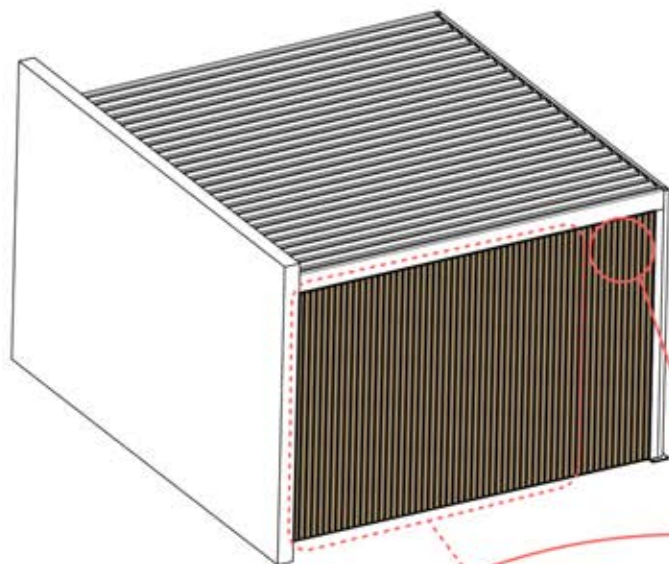
19



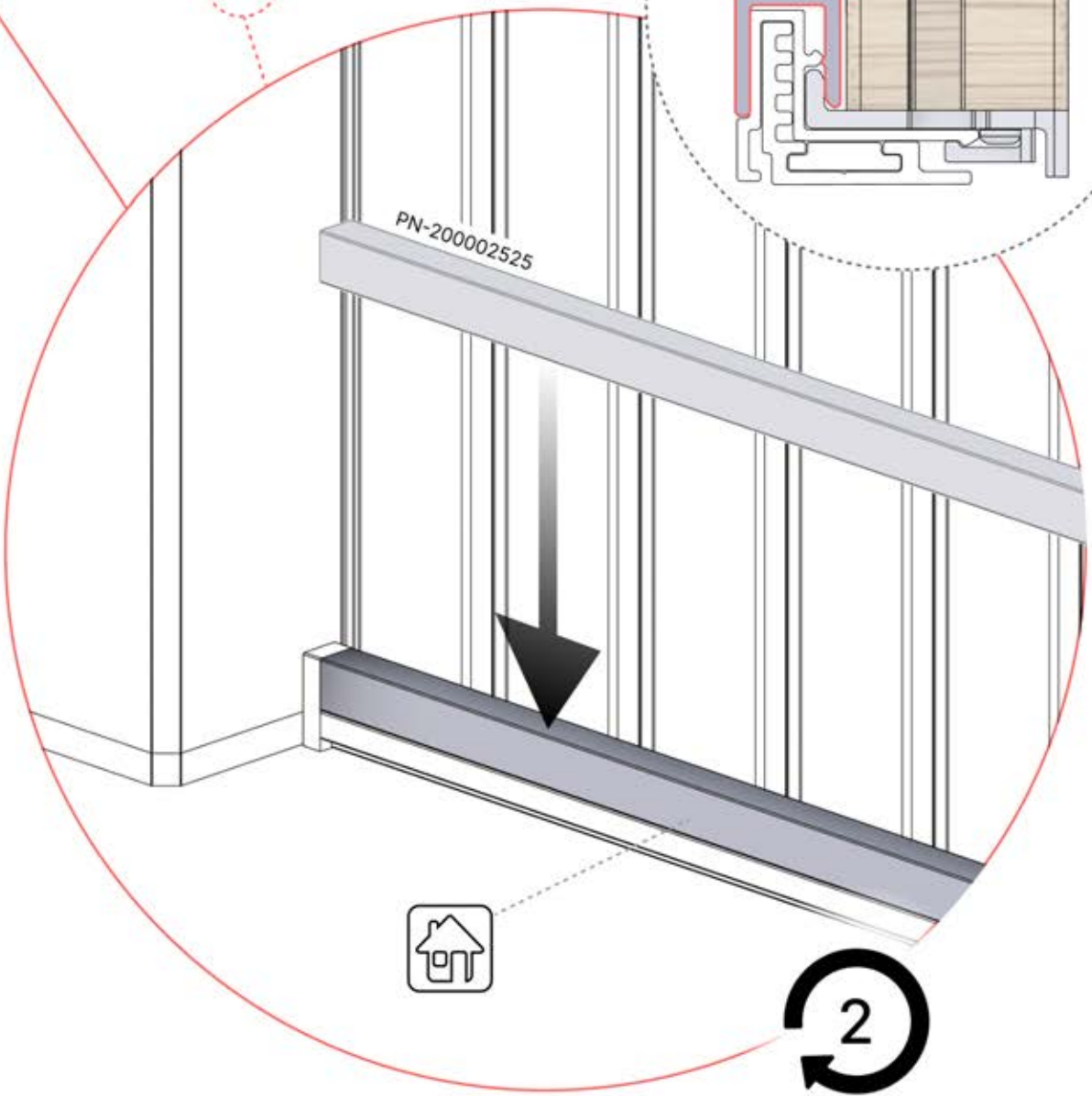
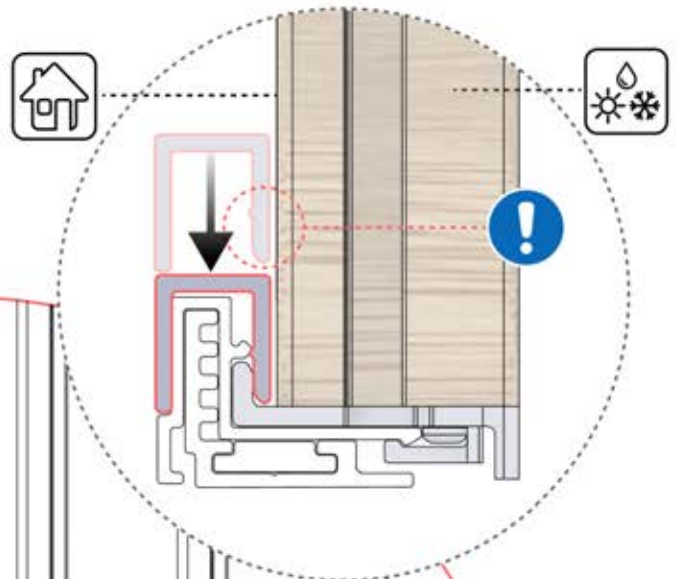
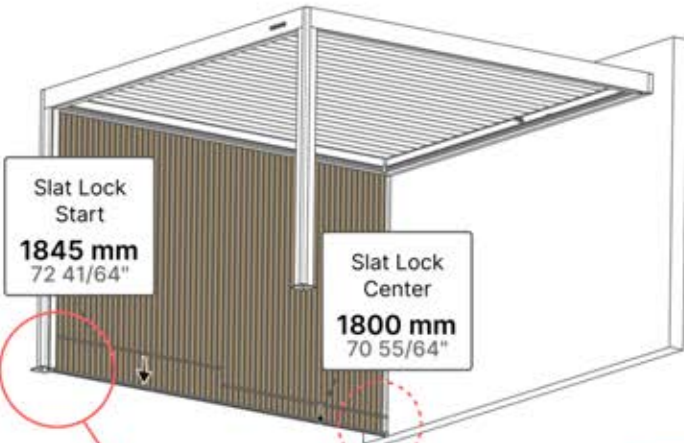
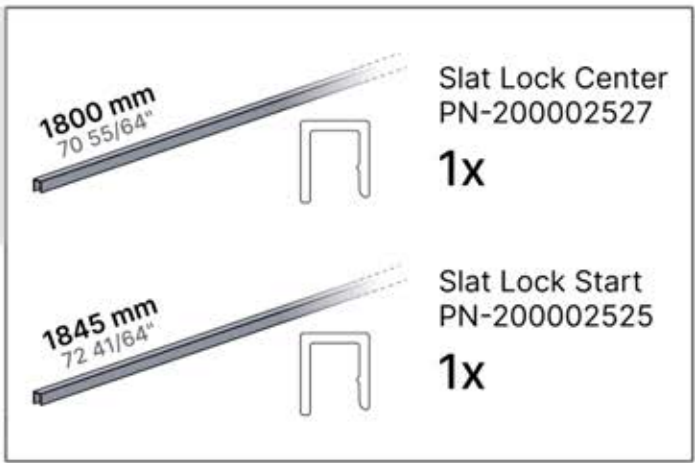
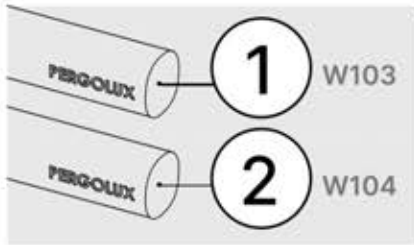
20



Carefully adjust the slats by hand to ensure the gap at the end is even, if necessary.

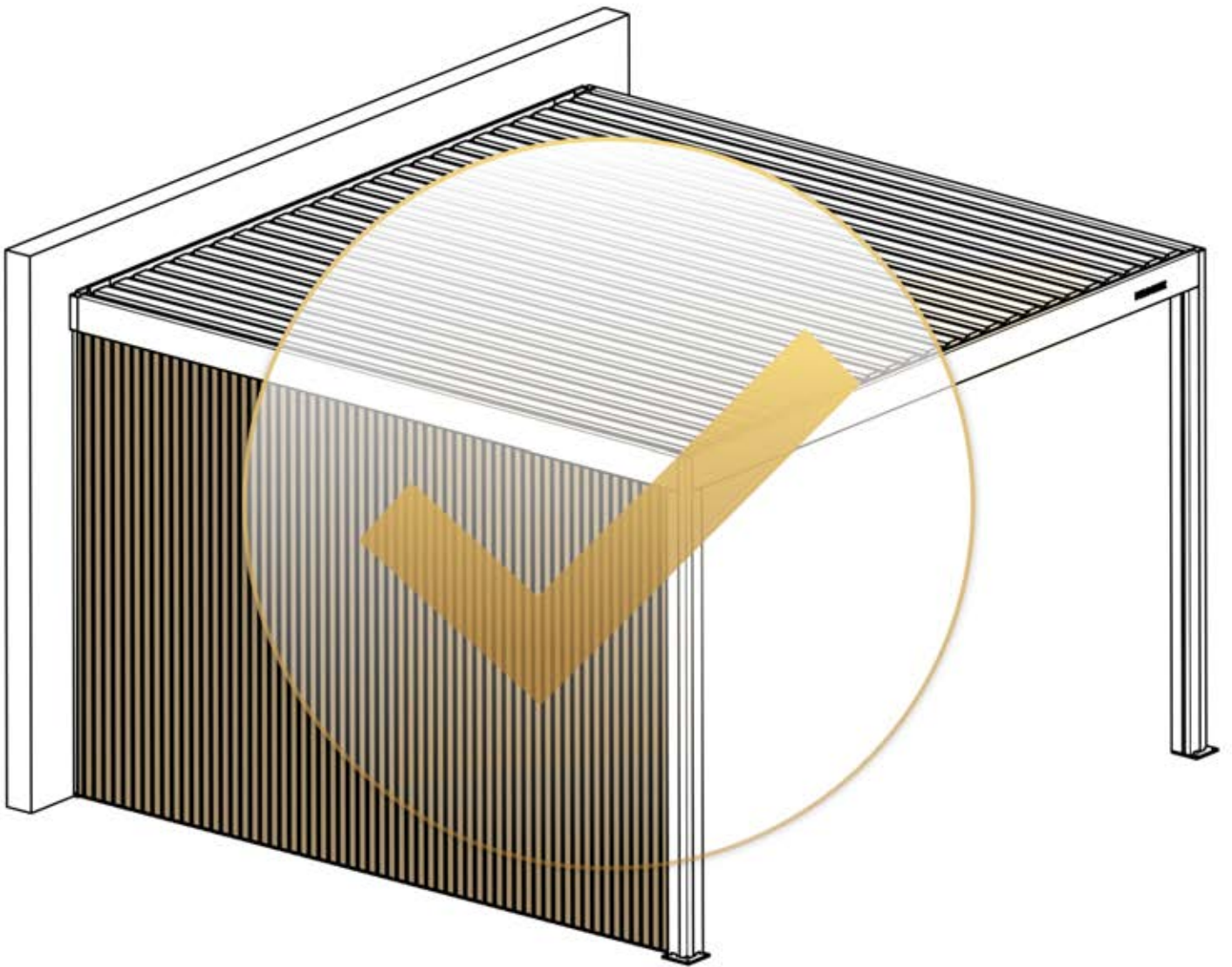


21



PERGOLUX | SLAT WALL

4 M / 13'



PERGOLUX