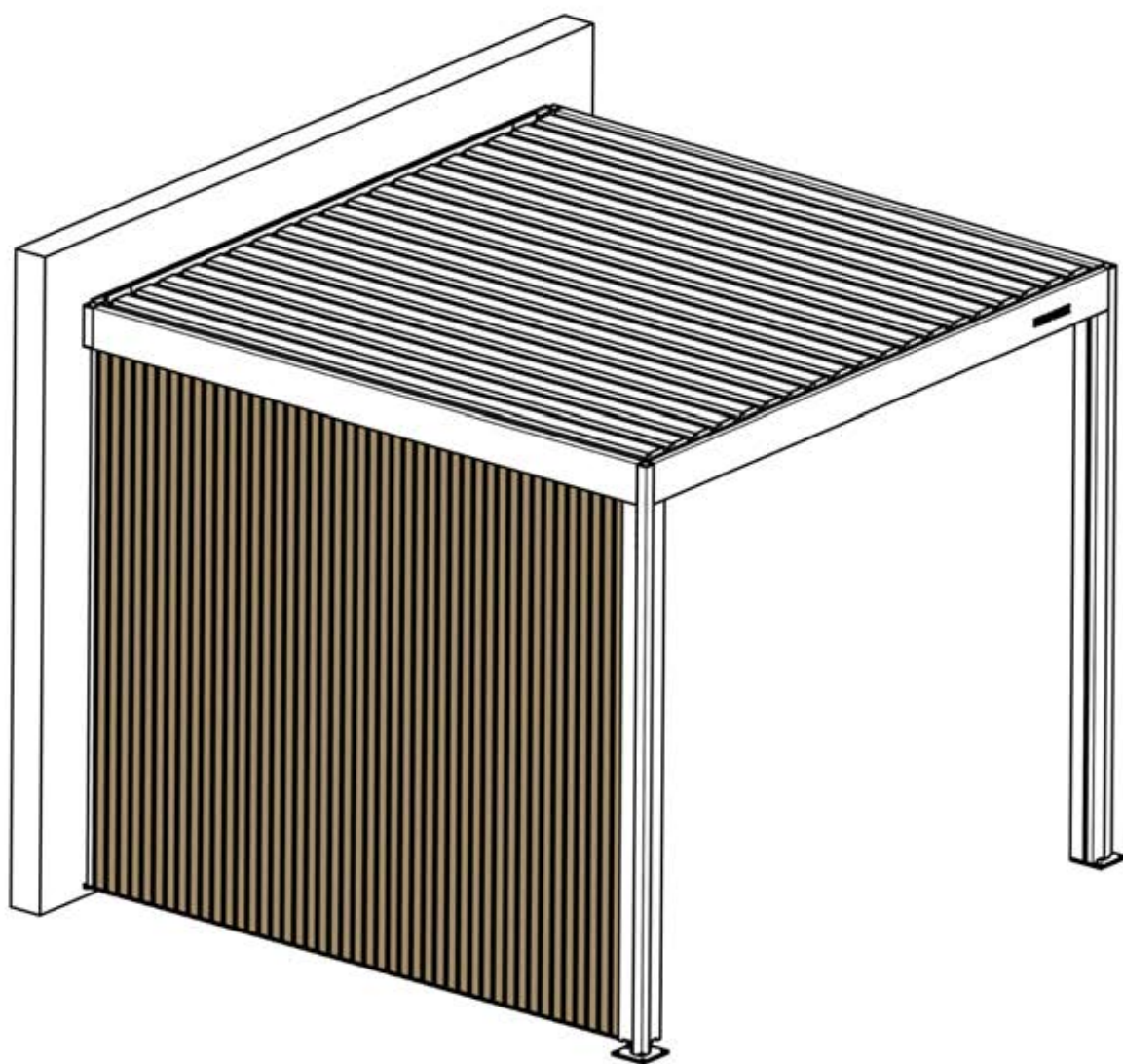


WOODLINE

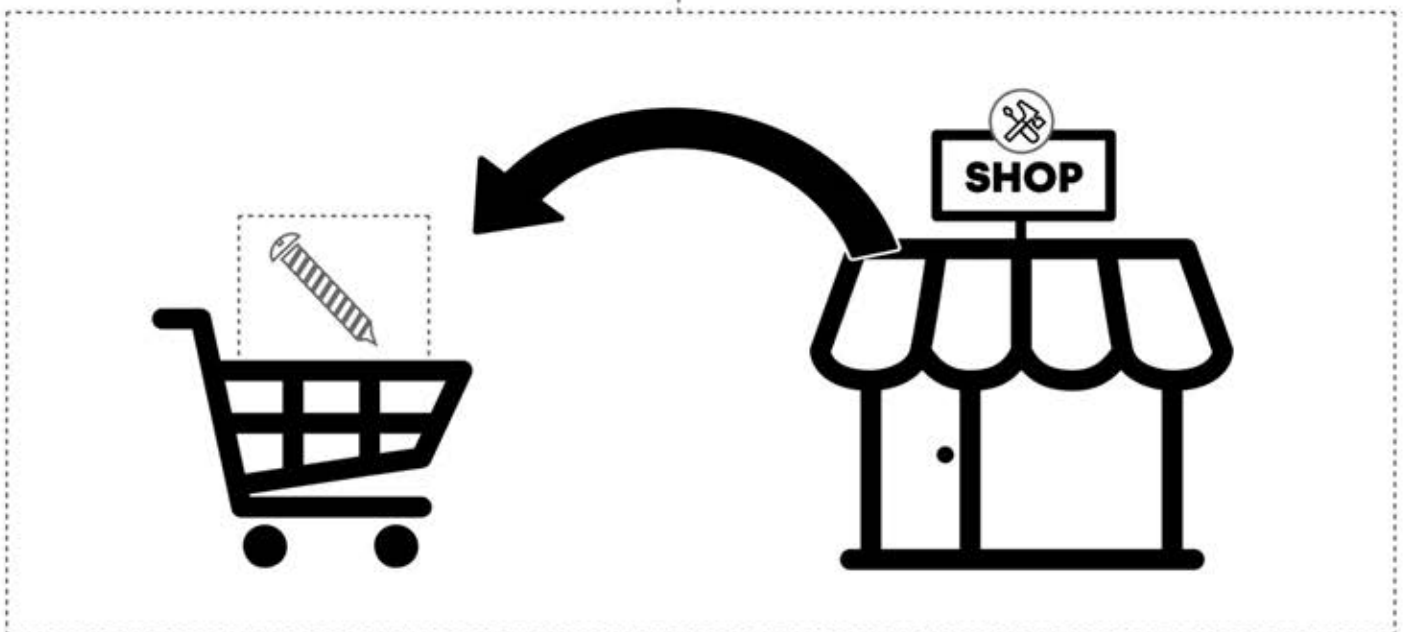
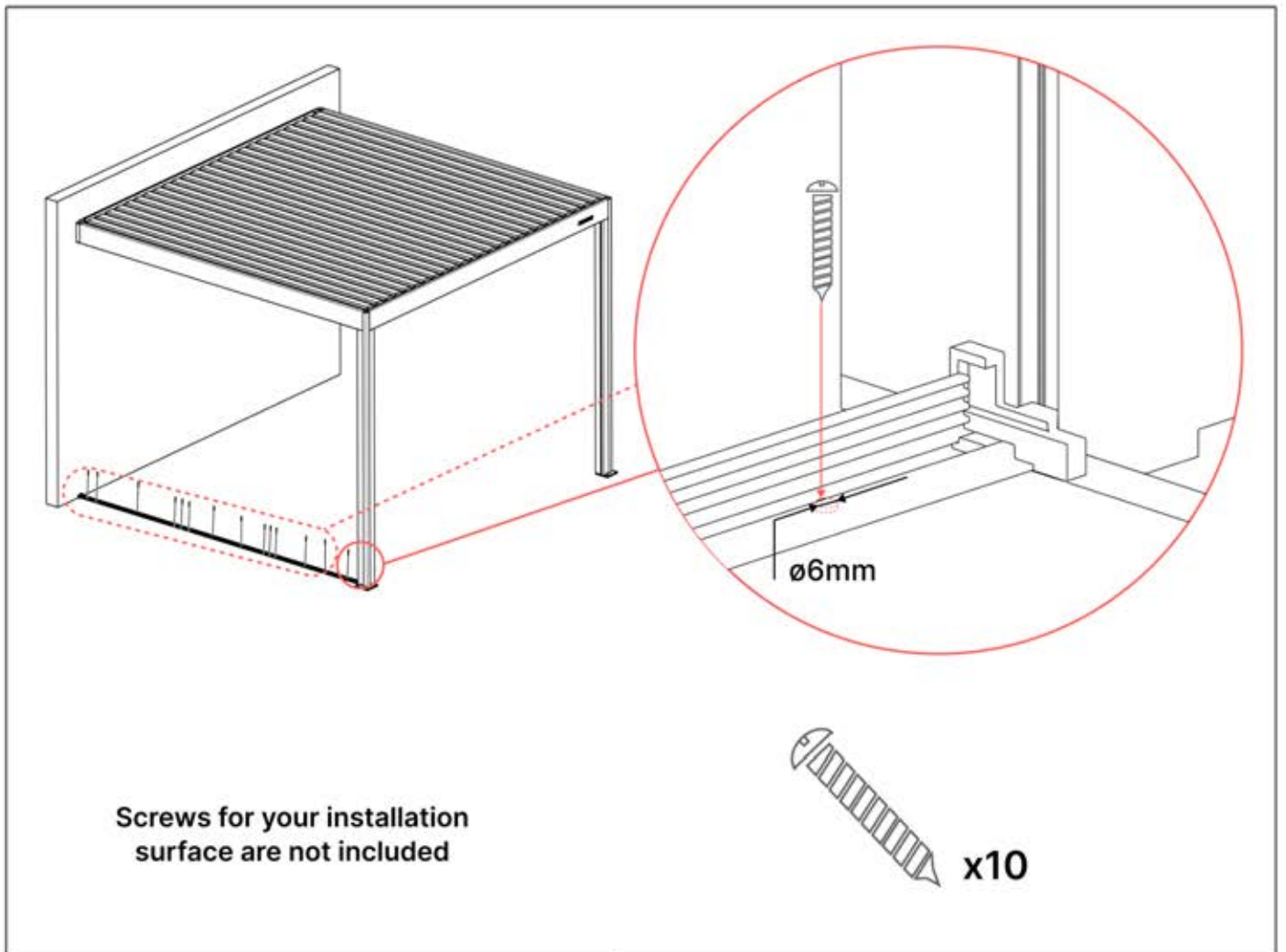
# SLAT WALL

3 M / 10'



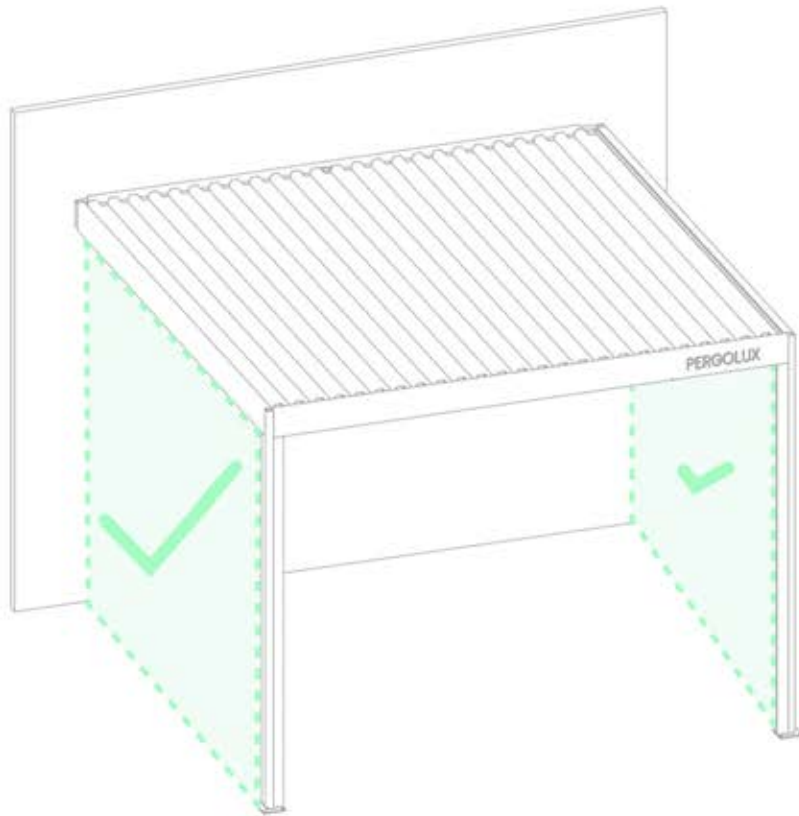
PERGOLUX

PERGOLUX | SLAT WALL  
INFORMATION



PERGOLUX | SLAT WALL  
INFORMATION

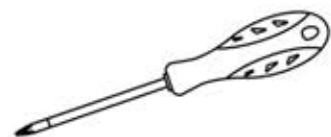
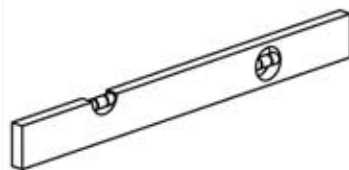
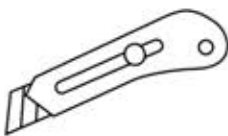
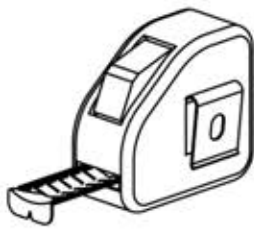
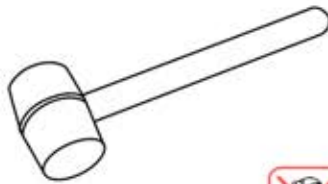
---



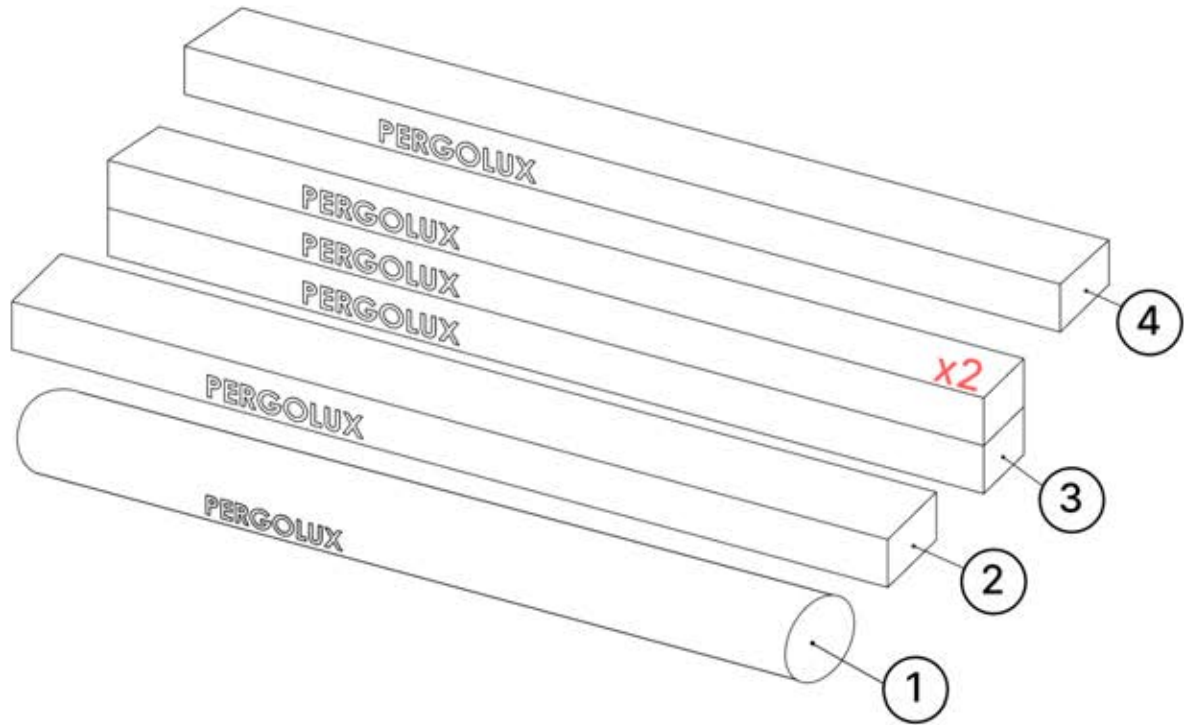
This slat wall cannot be installed on  
the wall mounted side and Skydance  
model (S1/S2/S3)

# TOOLS

---



# PACKAGE OVERVIEW



①	<b>W102</b> FRAME 3M PACKAGE
②	<b>W100</b> SLAT PACKAGE 16
③	<b>W101</b> SLAT PACKAGE 15 <b>x2</b>
④	<b>W101</b> WALL MOUNTED KIT

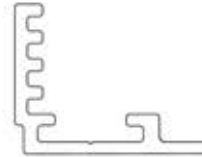
PERGOLUX | SLAT WALL  
ITEMS IN BOX



W102 FRAME 3M PACKAGE

1

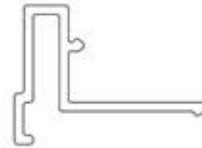
922.5 mm  
36 19/64"



Ground Fixation 3M  
PN-200002516

1x

1845 mm  
72 41/64"



Slat Fixation 3M  
PN-200002520

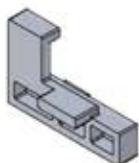
1x

1845 mm  
72 41/64"



Slat Lock 3M  
PN-200002518

1x



End Cover Right  
PN-200002513

1x



End Cover Left  
PN-200002510

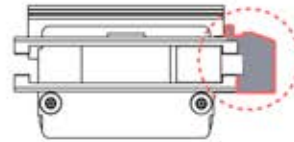
1x

PERGOLUX | SLAT WALL  
ITEMS IN BOX

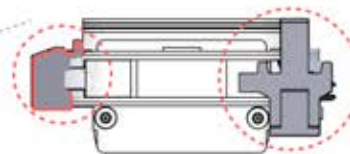


W100 SLAT PACKAGE 16

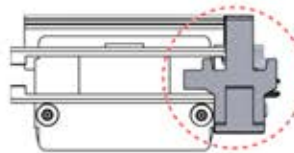
2



Slat Right  
PN-200002509  
**1x**



Slat Left  
PN-200002508  
**1x**



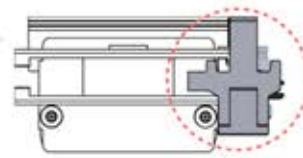
Slat Center  
PN-200002507  
**14x**

PERGOLUX | SLAT WALL  
ITEMS IN BOX



W101 SLAT PACKAGE 15

3



Slat Center  
PN-200002507  
30x



W100 WALL MOUNTED KIT

4



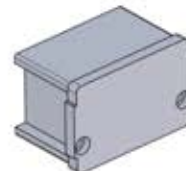
WF FIXATION  
1x



WF FIXATION  
END COVER R  
1x

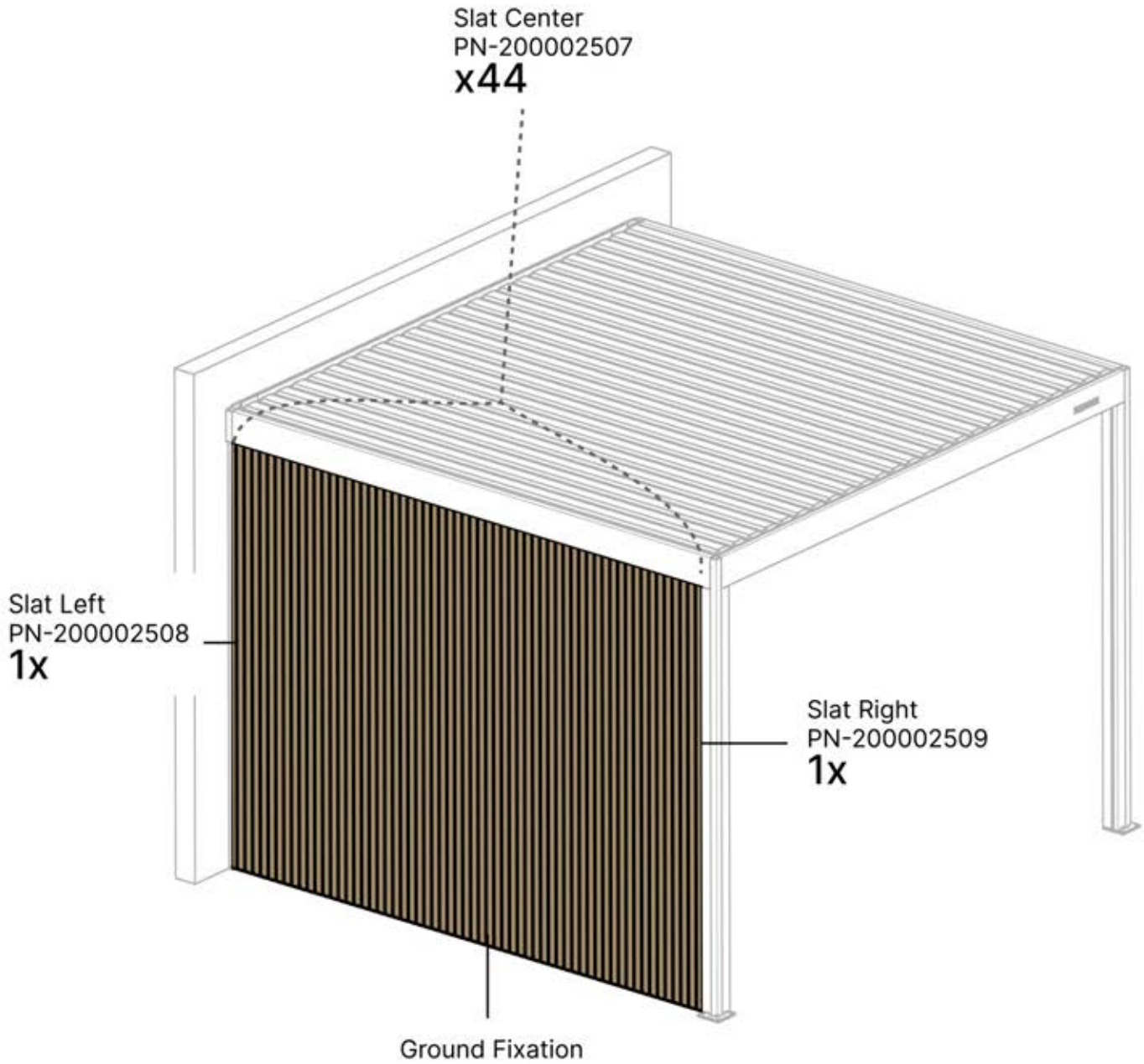


WF FIXATION  
END COVER L  
1x




WF SLAT  
FLANGE TOP  
x1


# OVERVIEW 3M/10'

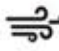


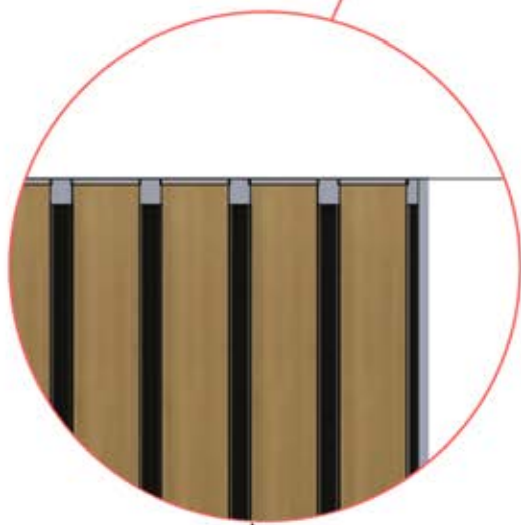
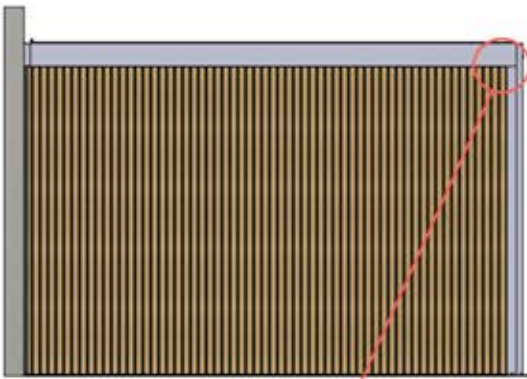
PERGOLUX | SLAT WALL  
CLOSED/OPEN

**OPTION 1 (Closed):**

 **NOT** see through

 Water protection

 Wind protection




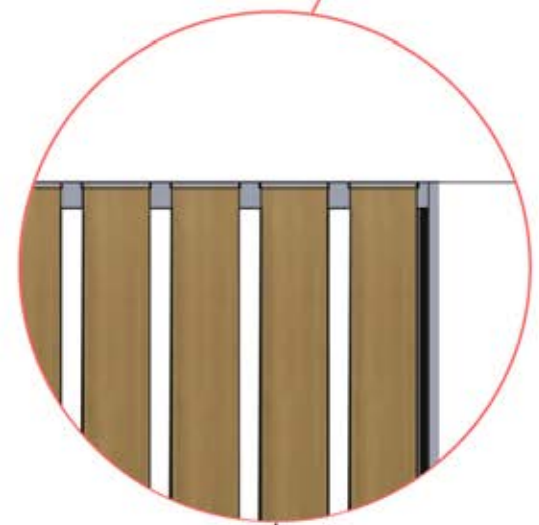
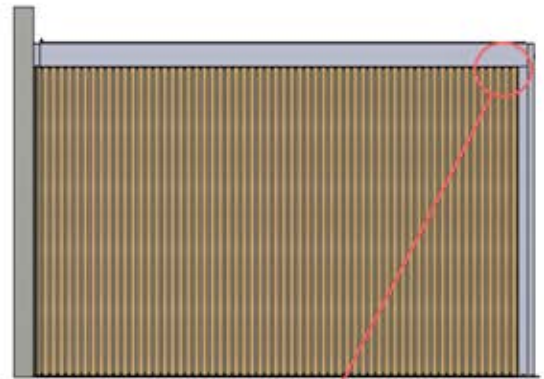
Continue assembling  
from **Step 1**

**OPTION 2 (Open):**

 See through

 **NO** Water protection


 **NO** Wind protection

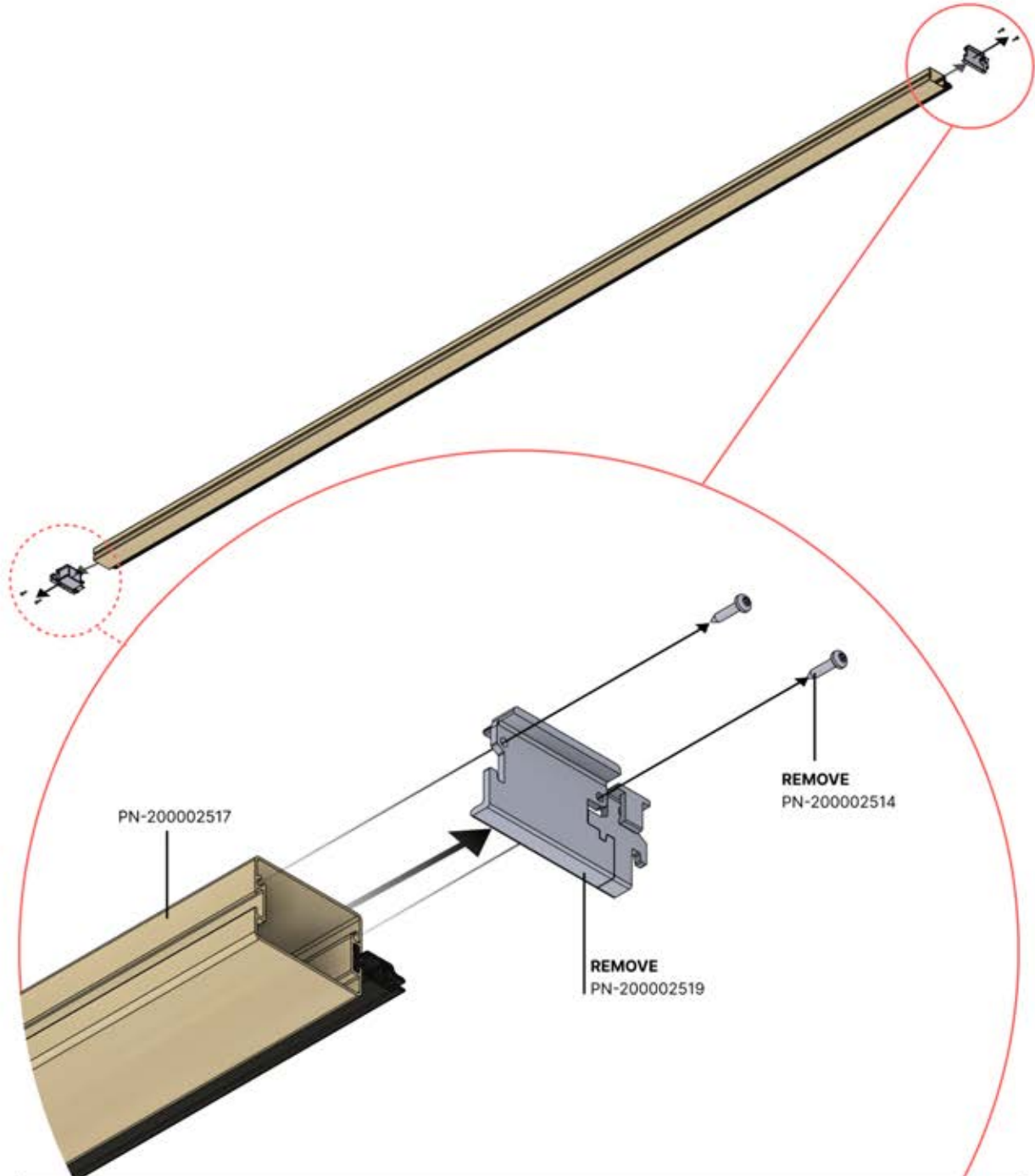


 See next  
page



# OPTION 2 (OPEN)

 \*\* Only for option 2



**PLEASE NOTE:** Do not remove the slat connection profile on the left and right slats, as these will be installed and fixed into the posts.

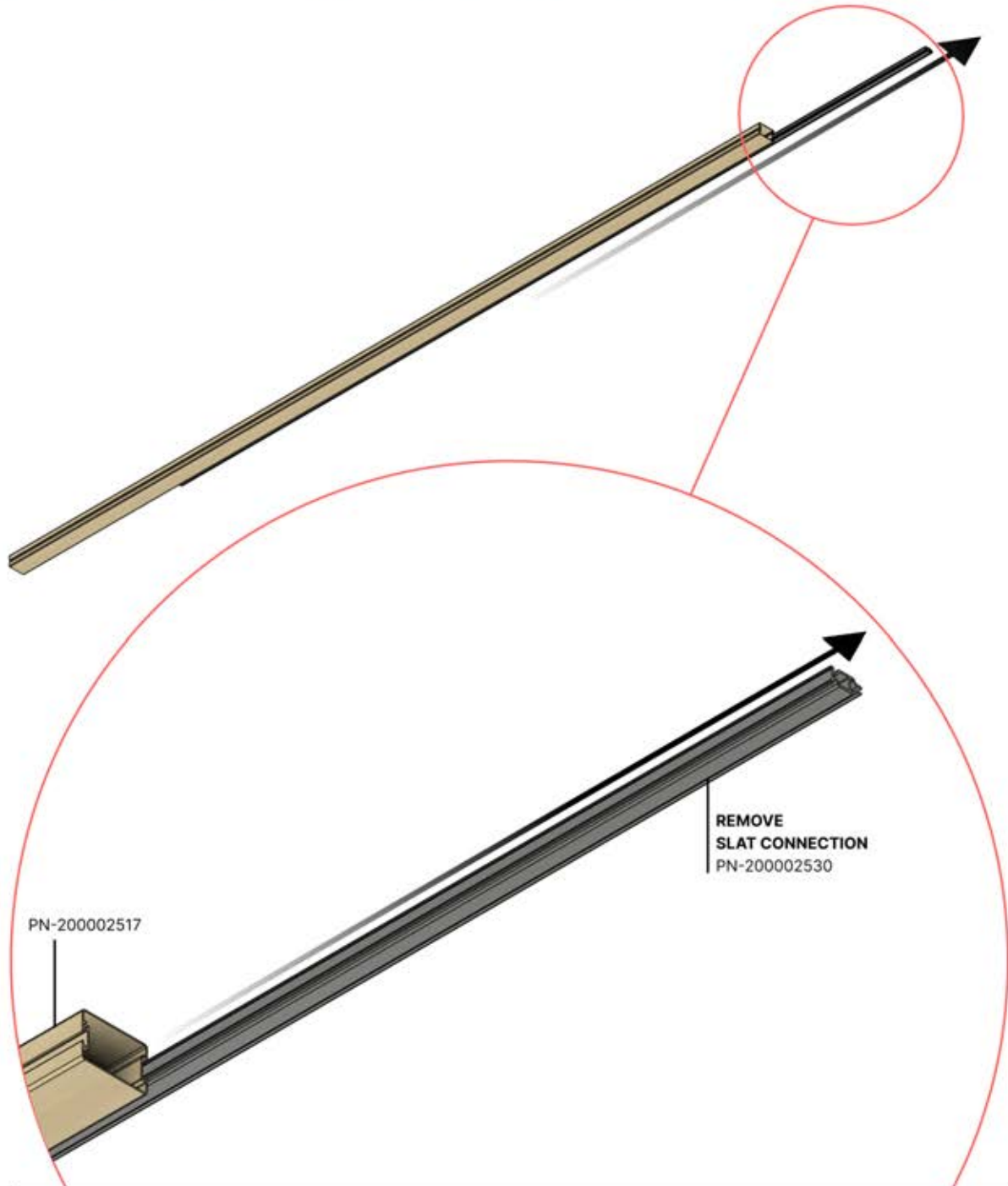


Slat Right  
PN-200002509  
**1x**

Slat Left  
PN-200002508  
**1x**

# OPTION 2 (OPEN)

**!** \*\* Only for option 2



**PLEASE NOTE:** Do not remove the slat connection profile on the left and right slats, as these will be installed and fixed into the posts.

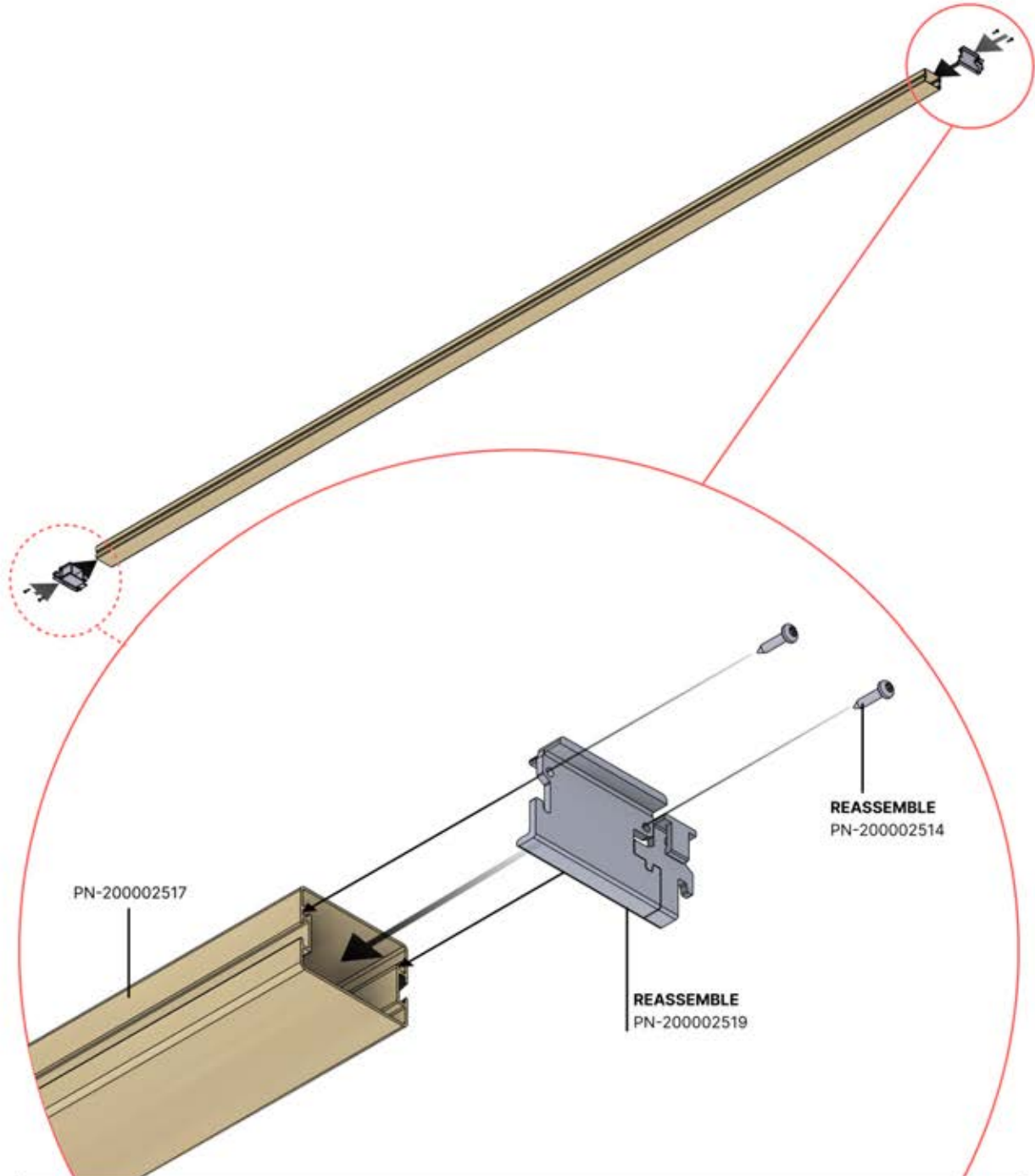


Slat Right  
PN-200002509  
**1x**

Slat Left  
PN-200002508  
**1x**

# OPTION 2 (OPEN)

**!** \*\* Only for option 2



PN-200002517

REASSEMBLE  
PN-200002514

REASSEMBLE  
PN-200002519

**PLEASE NOTE:** Do not remove the slat connection profile on the left and right slats, as these will be installed and fixed into the posts.

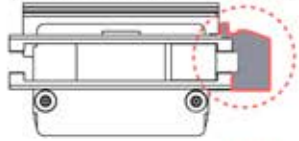


Slat Right  
PN-200002509  
**1x**

Slat Left  
PN-200002508  
**1x**

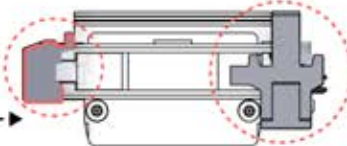
# WALL MOUNT KIT ASSEMBLY

If you install slat walls to the right of pergola than use this slat

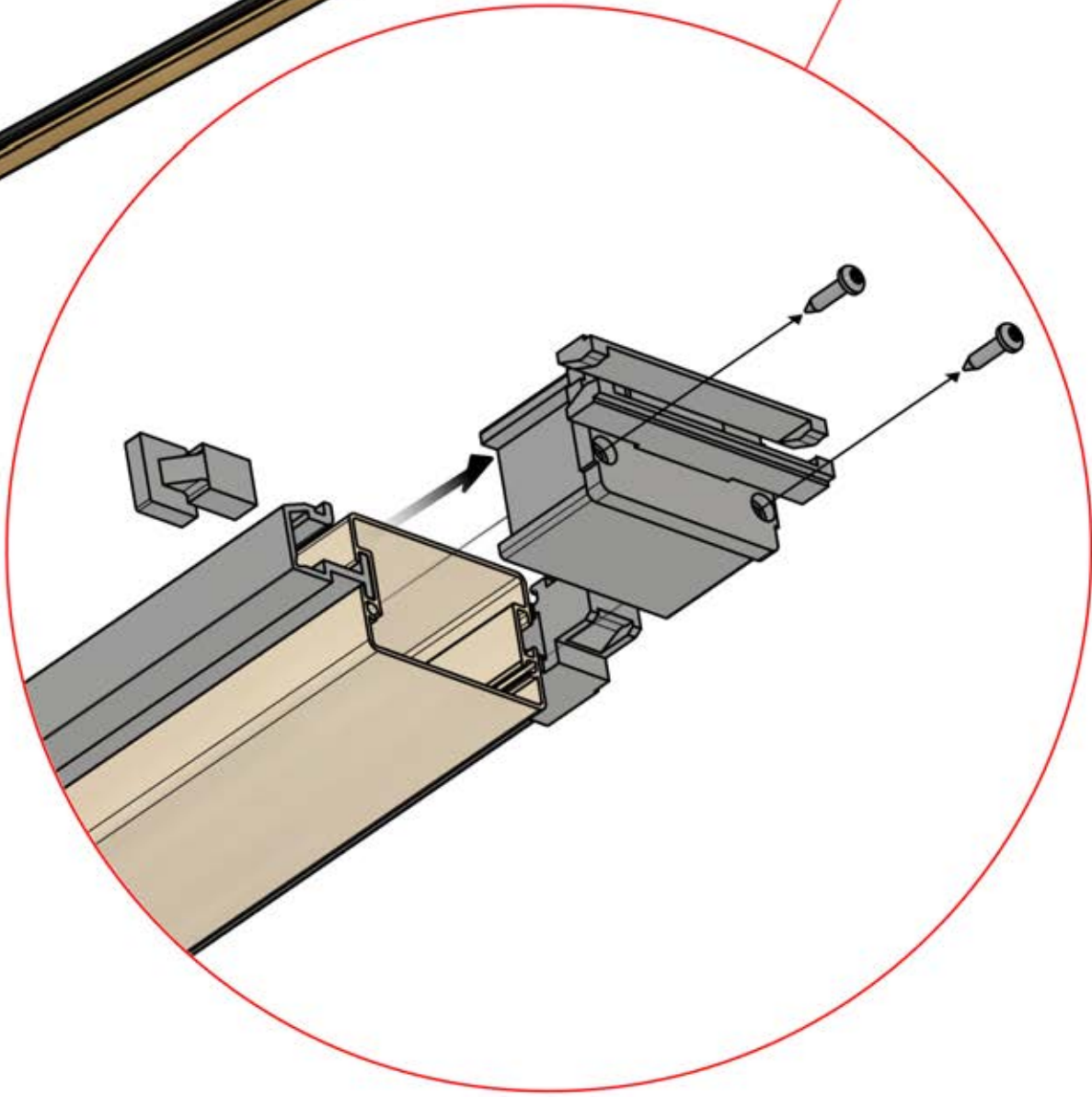
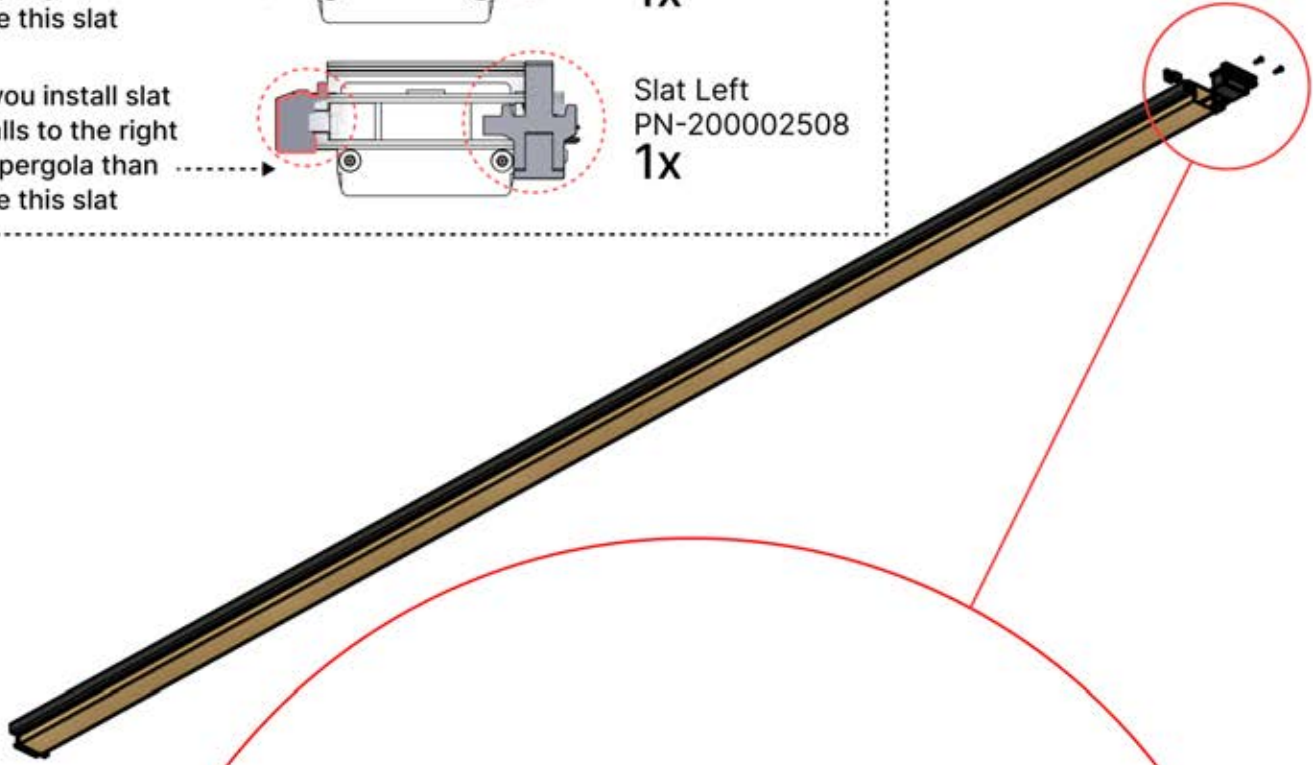


Slat Right  
PN-200002509  
**1x**

If you install slat walls to the left of pergola than use this slat

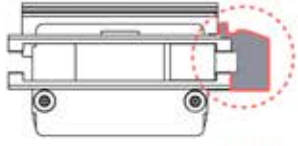


Slat Left  
PN-200002508  
**1x**



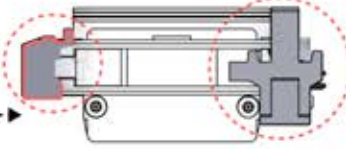
# WALL MOUNT KIT ASSEMBLY

If you install slat walls to the right of pergola than use this slat

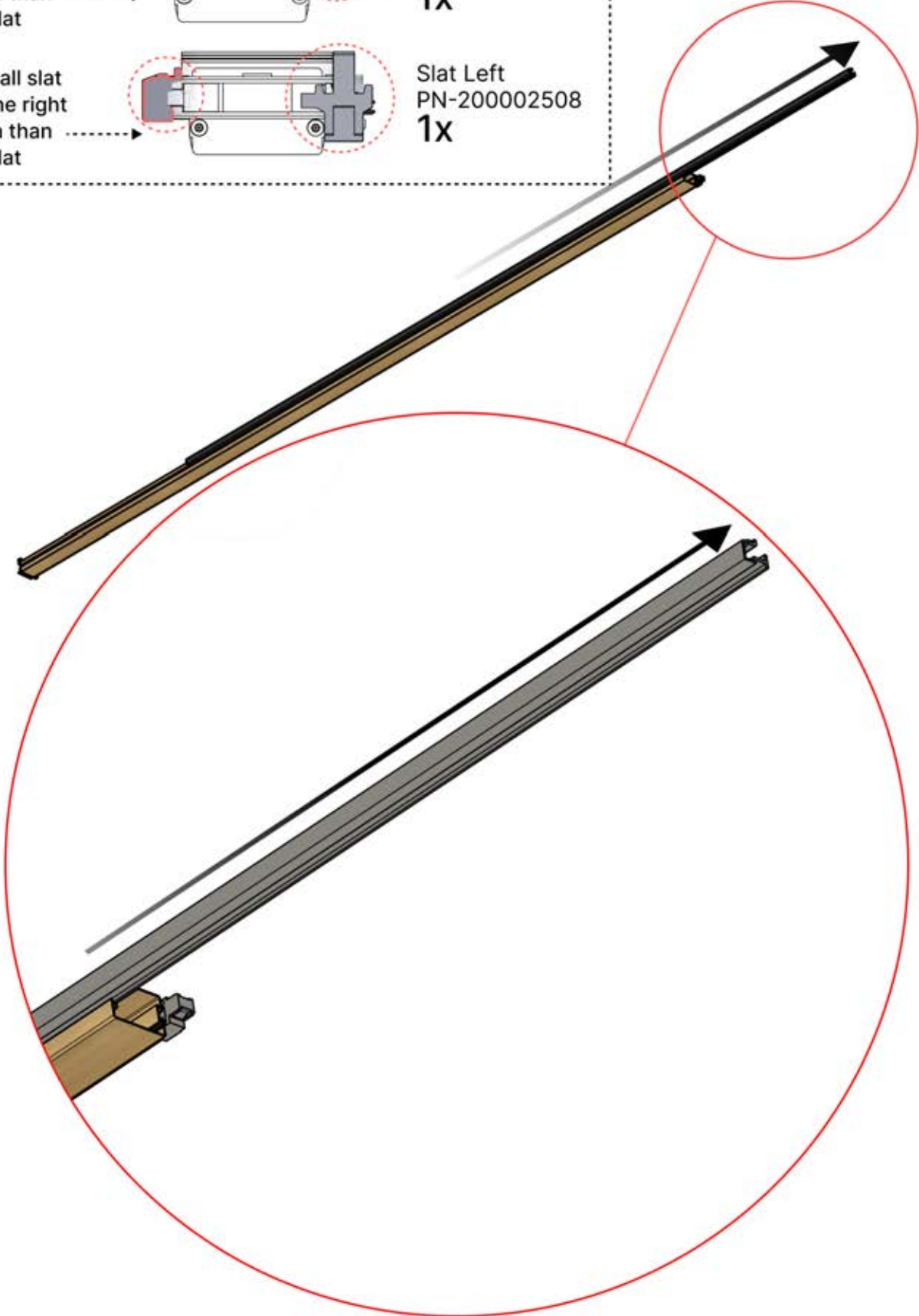


Slat Right  
PN-200002509  
**1x**

If you install slat walls to the left of pergola than use this slat



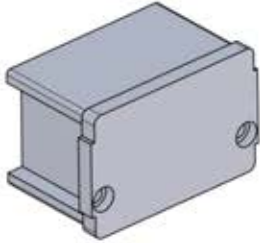
Slat Left  
PN-200002508  
**1x**



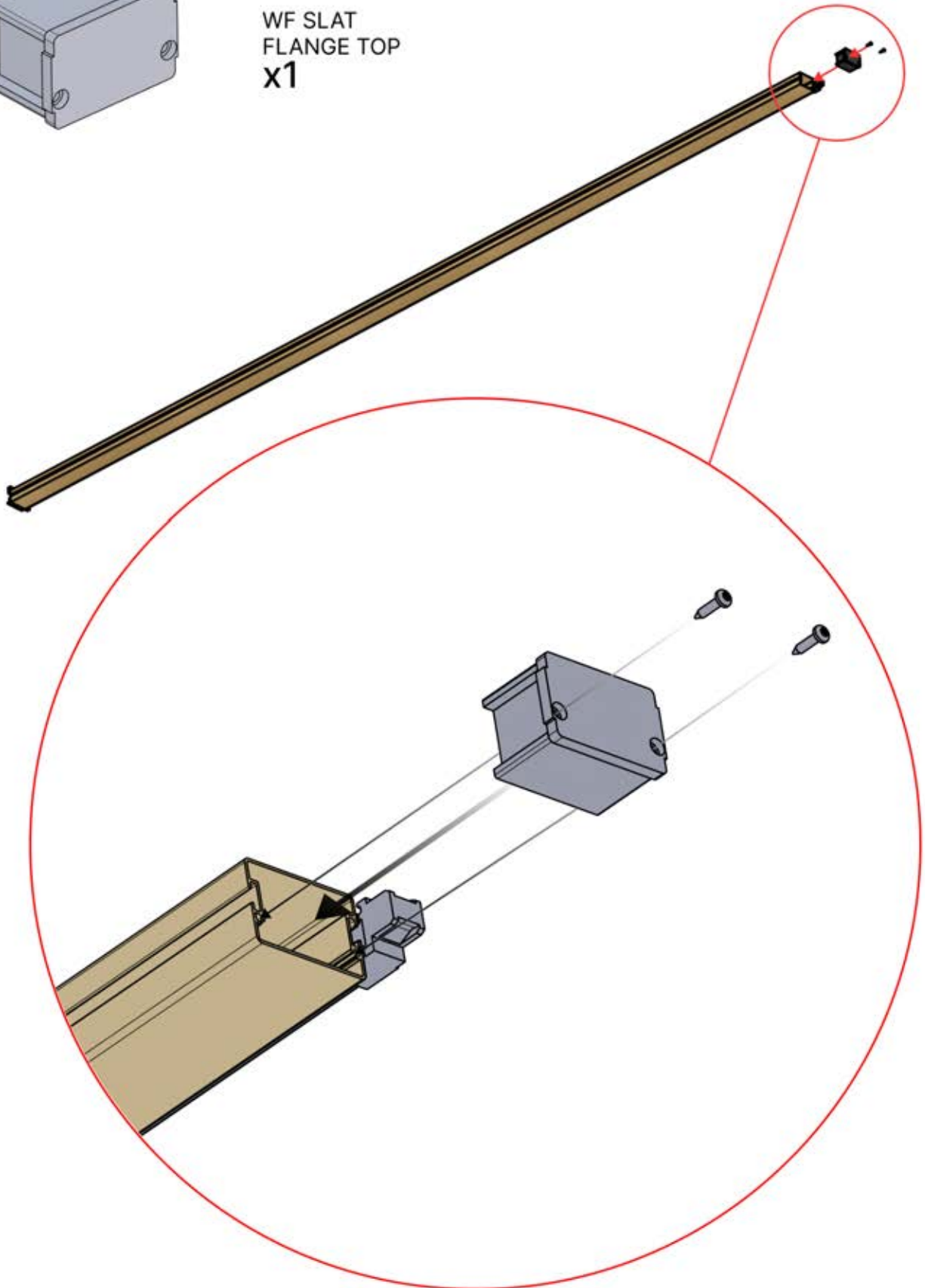
PERGOLUX | SLAT WALL

# WALL MOUNT KIT ASSEMBLY

---

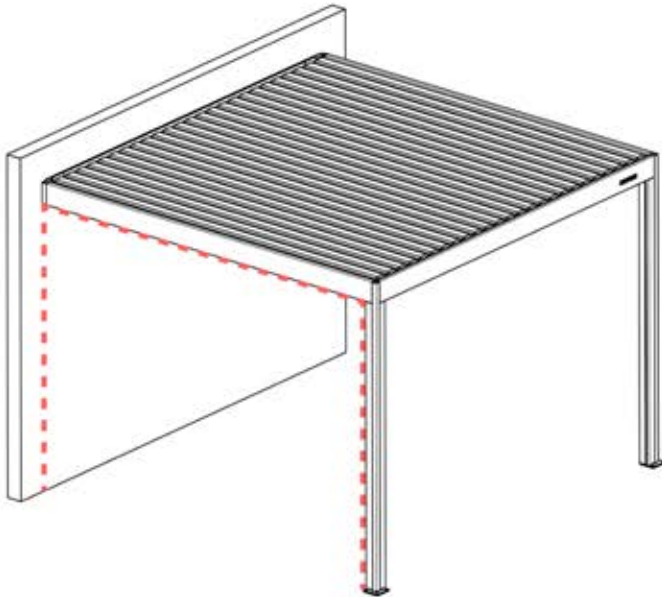


WF SLAT  
FLANGE TOP  
x1



# REMOVE COVER AND CLIPS

Remove the cover and clips entirely from the beams and posts on the side where you plan to install the slat wall.



## Cover and clip



PN-200000512  
STRIP COVER CLIP



SnapFIT Cover

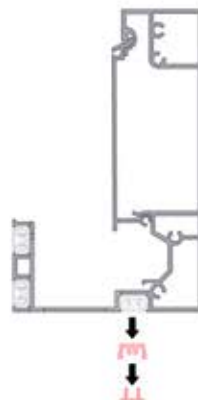
## Beams PERGOLA

Remove cover and clips from **beams**.



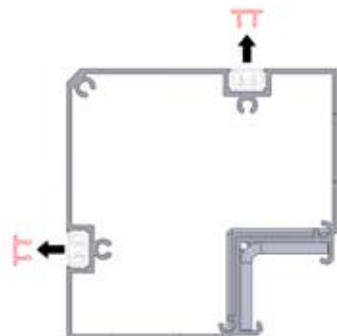
## Beams SUNDREAM

Remove cover and clips from the underside of the **beams**.

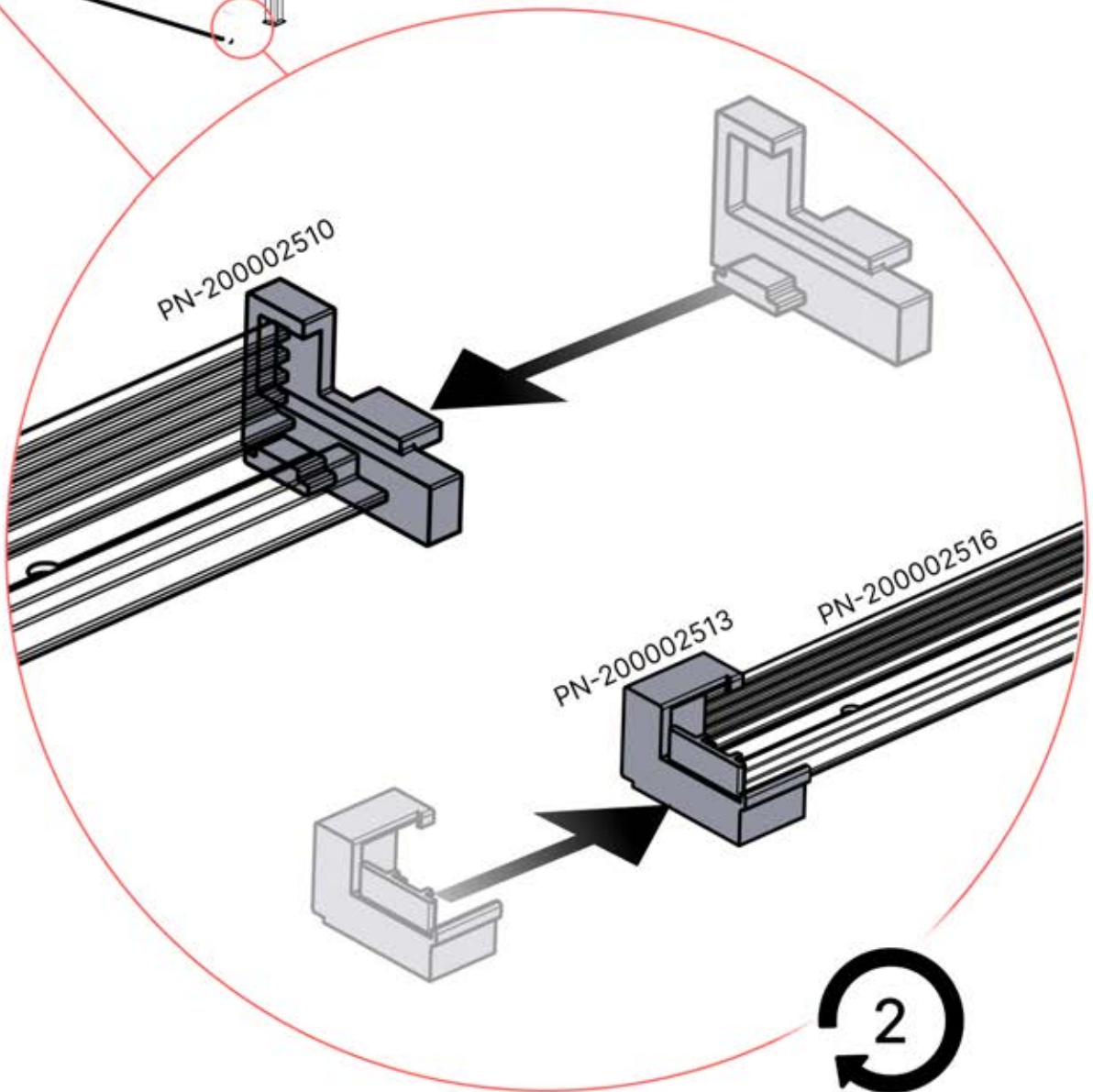
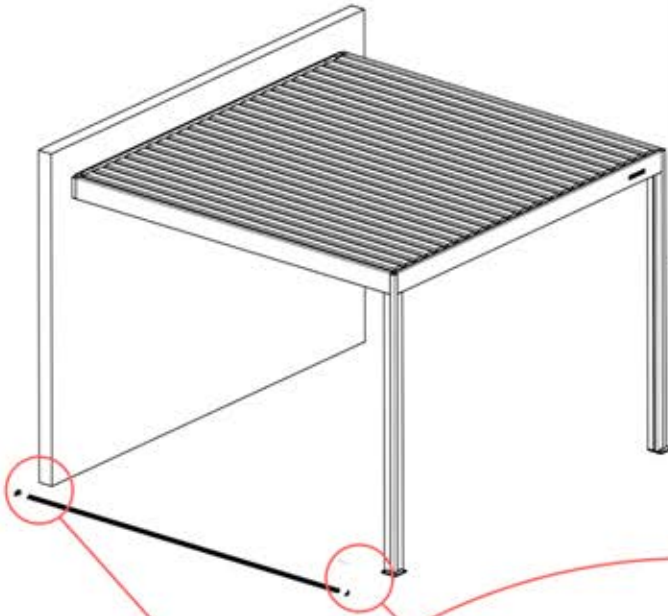
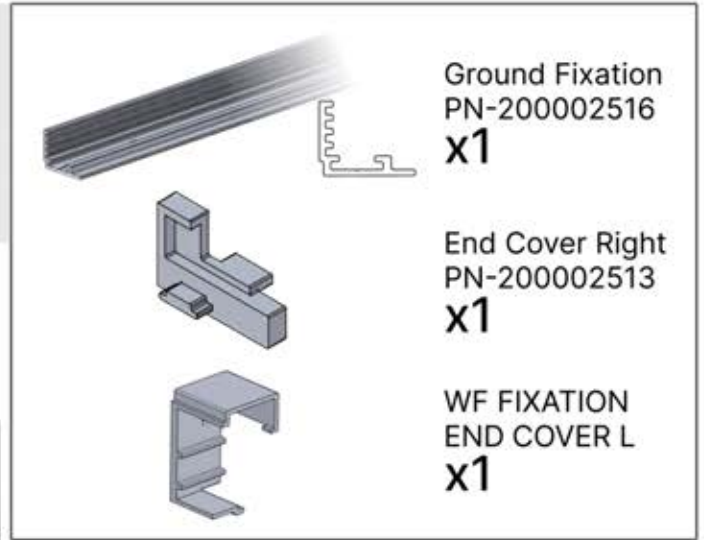
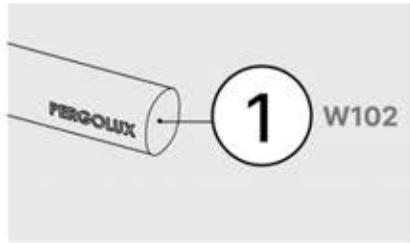


## Posts

Remove cover and clips from **posts**.

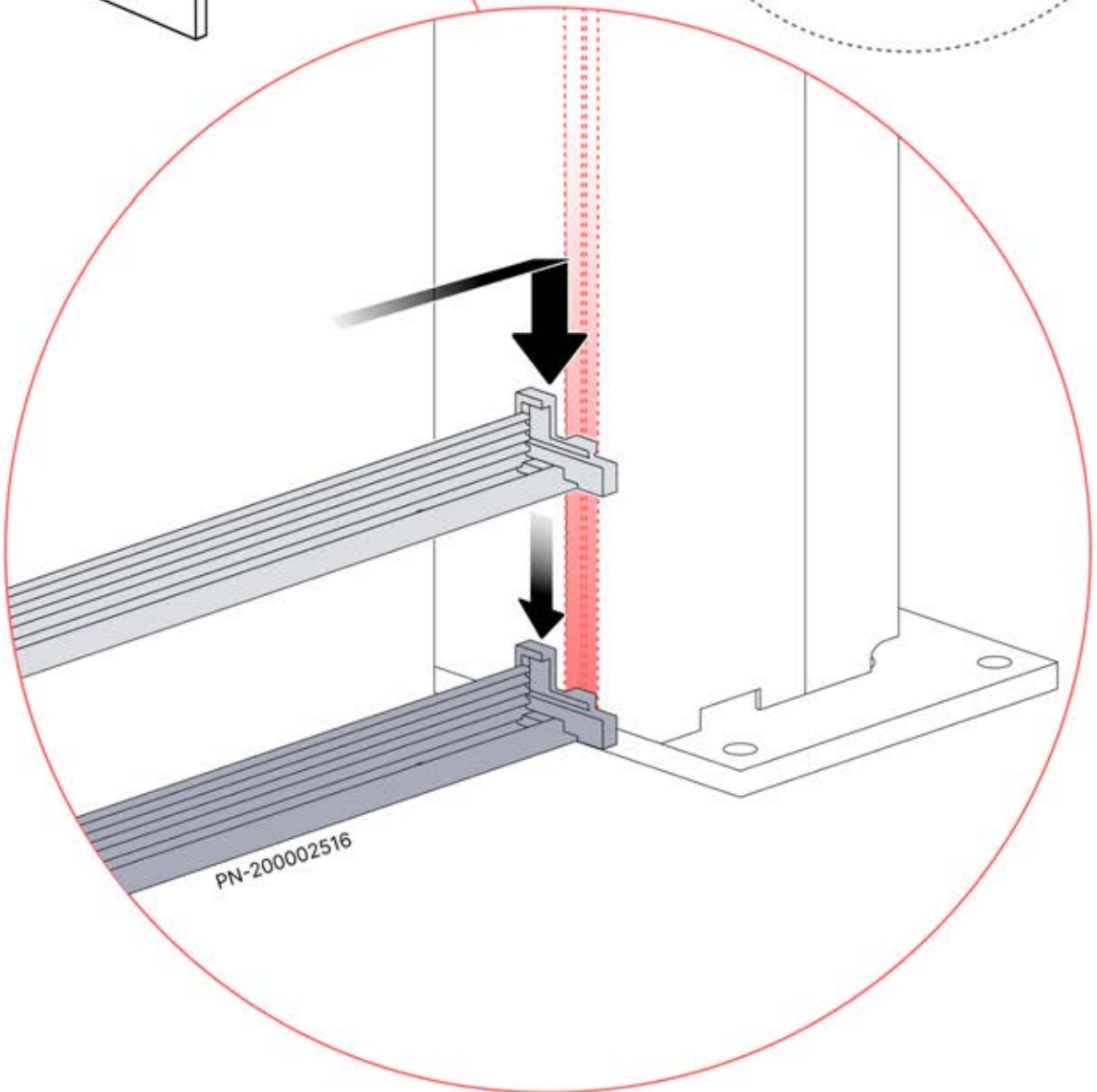
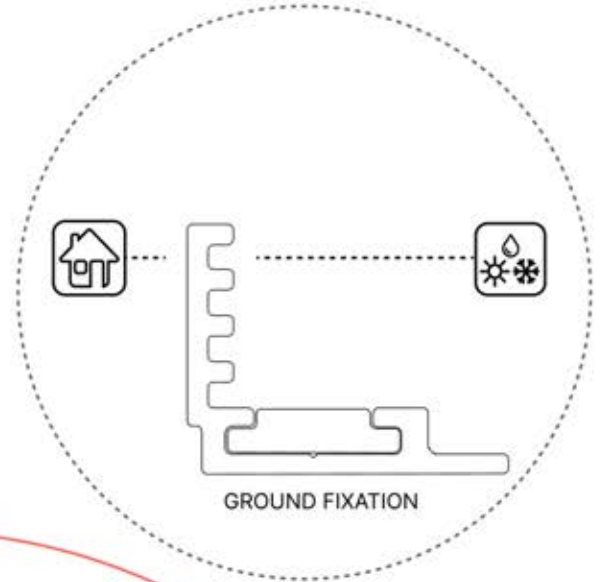
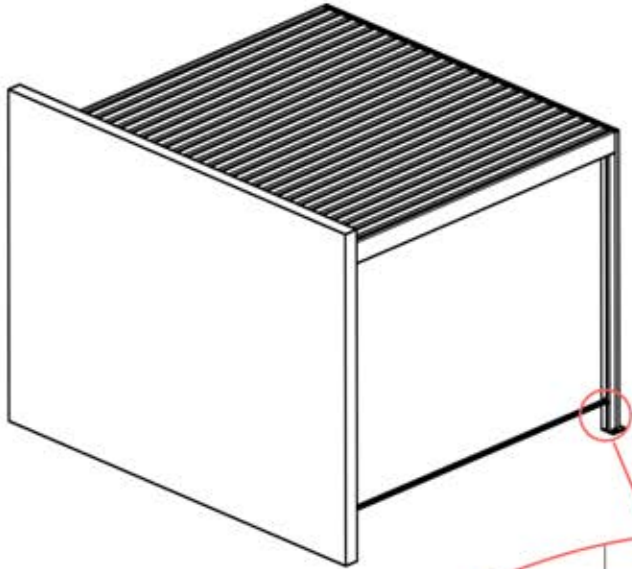


# 1

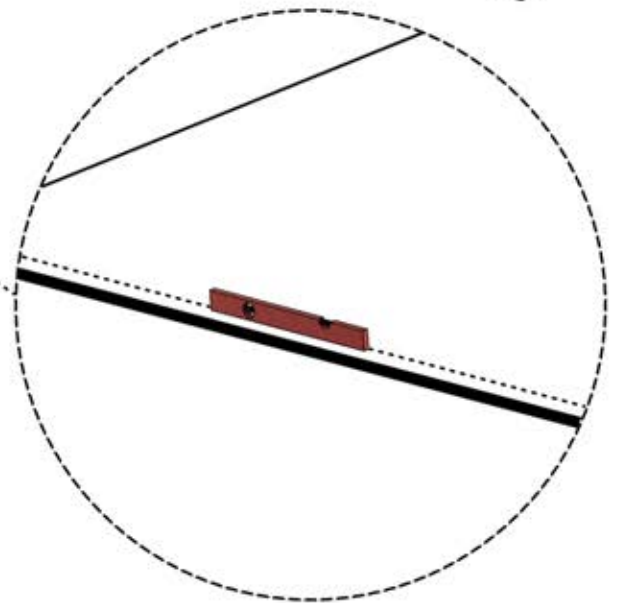
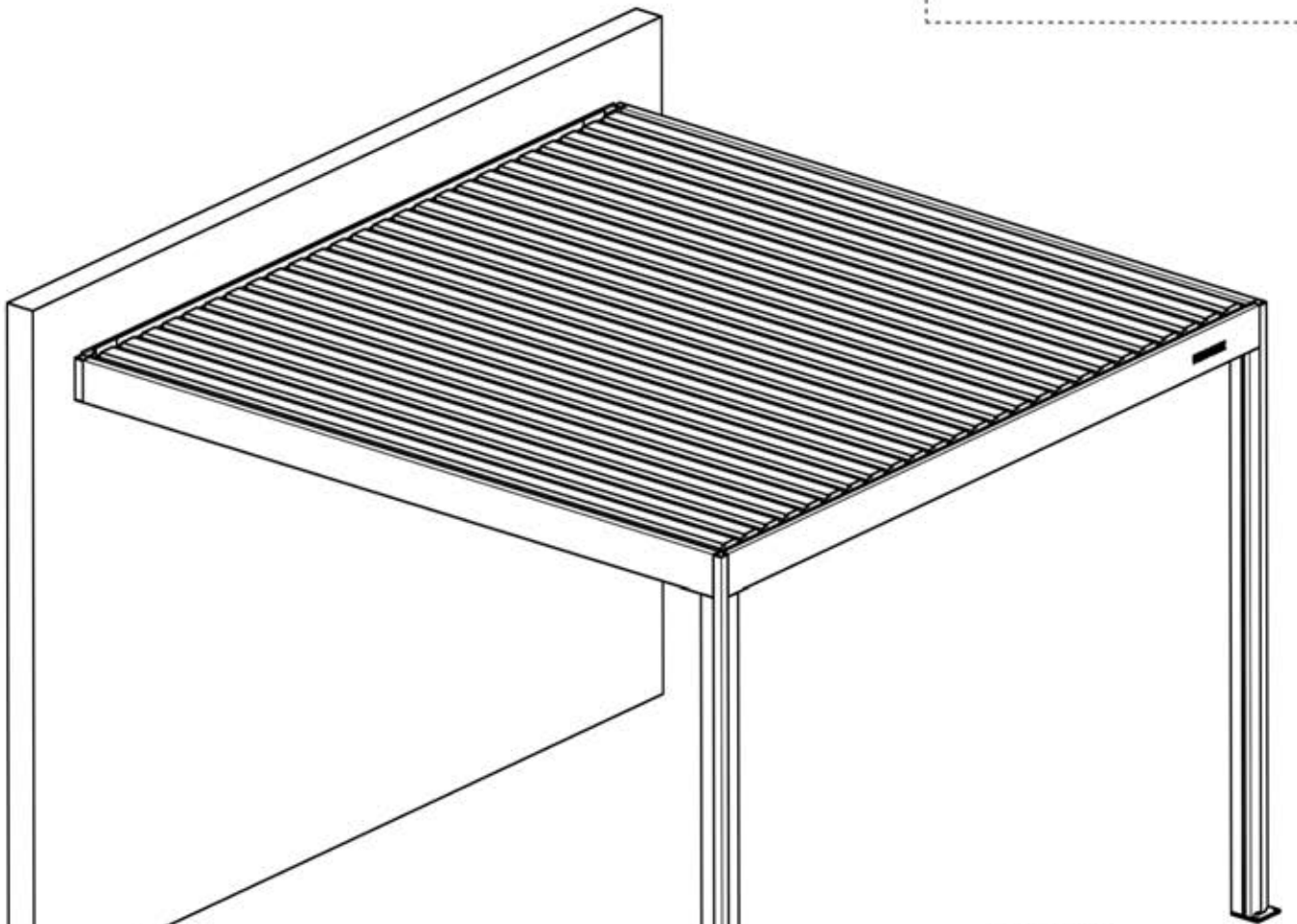
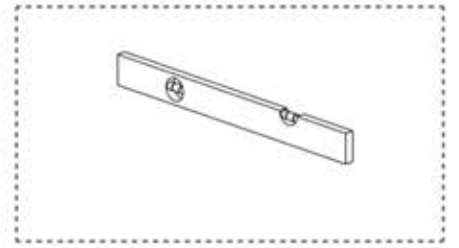



# 2

# 2

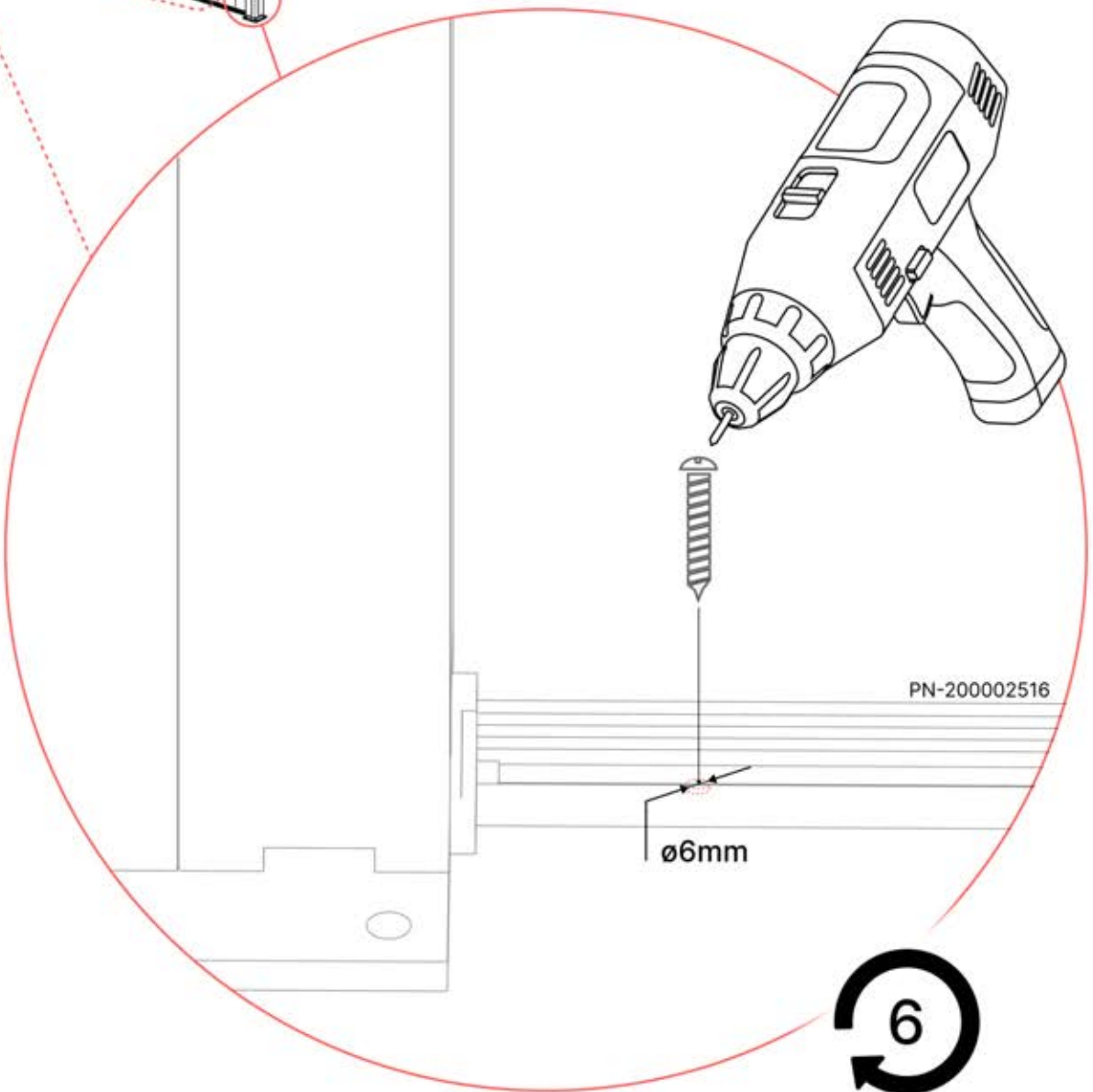
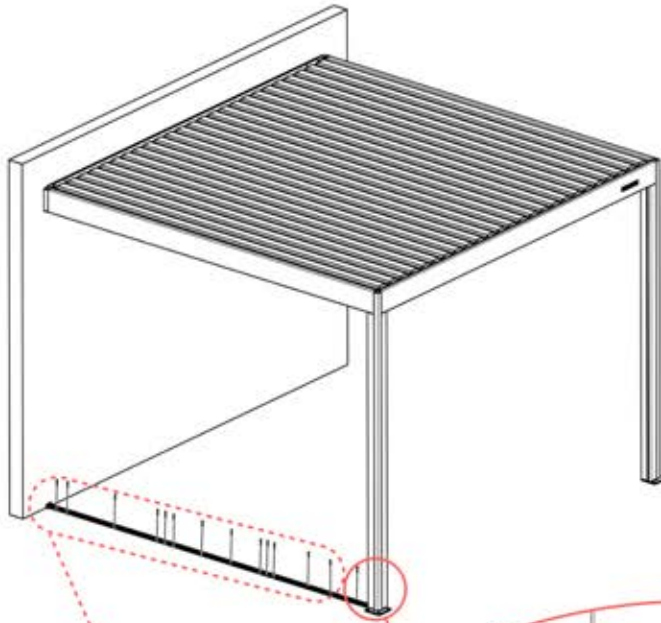


PERGOLUX | SLAT WALL  
INFORMATION

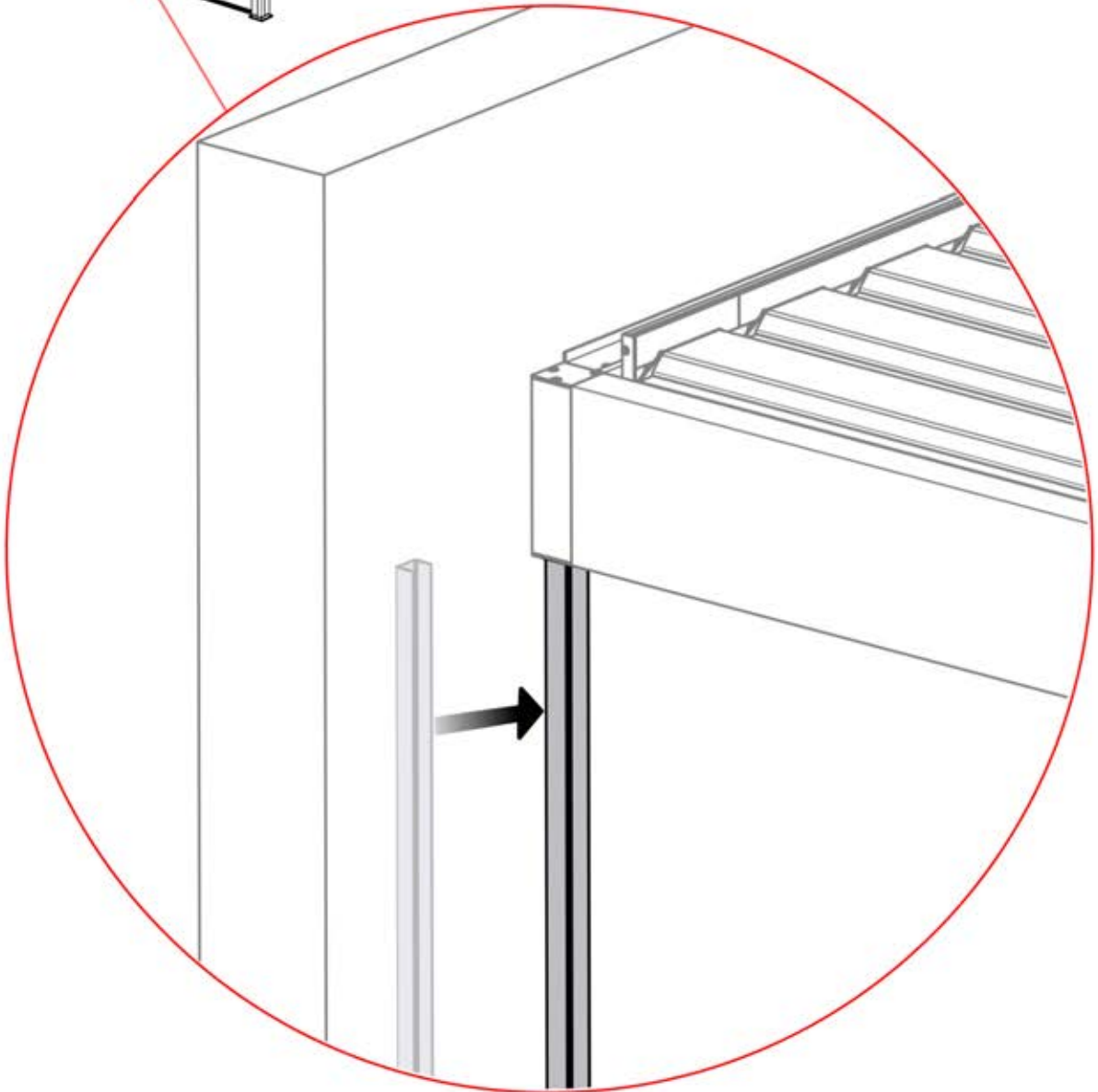
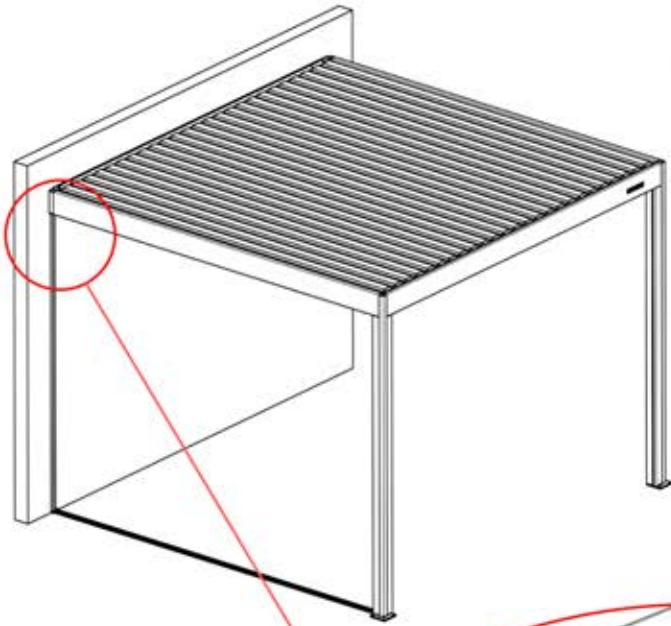
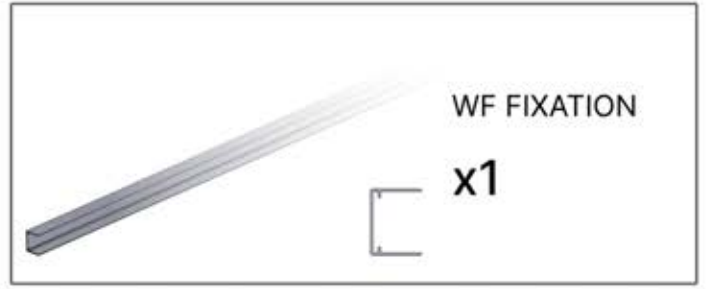


  
Use a spirit level to align the ground fixation part, ensuring it is exactly parallel to the centerline of the front pole.

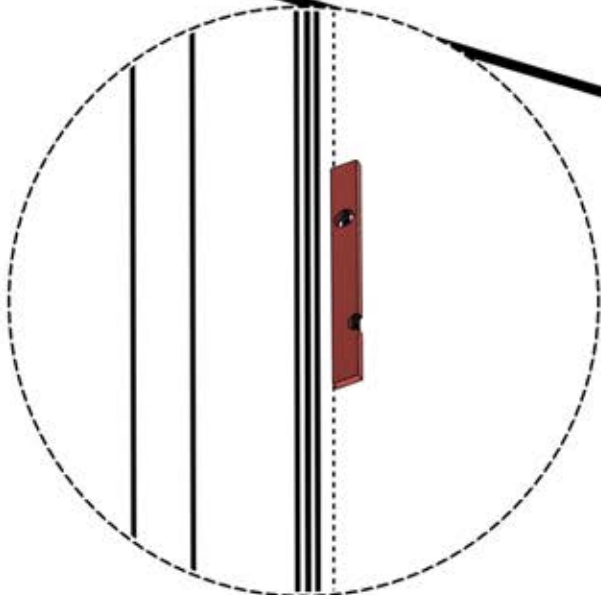
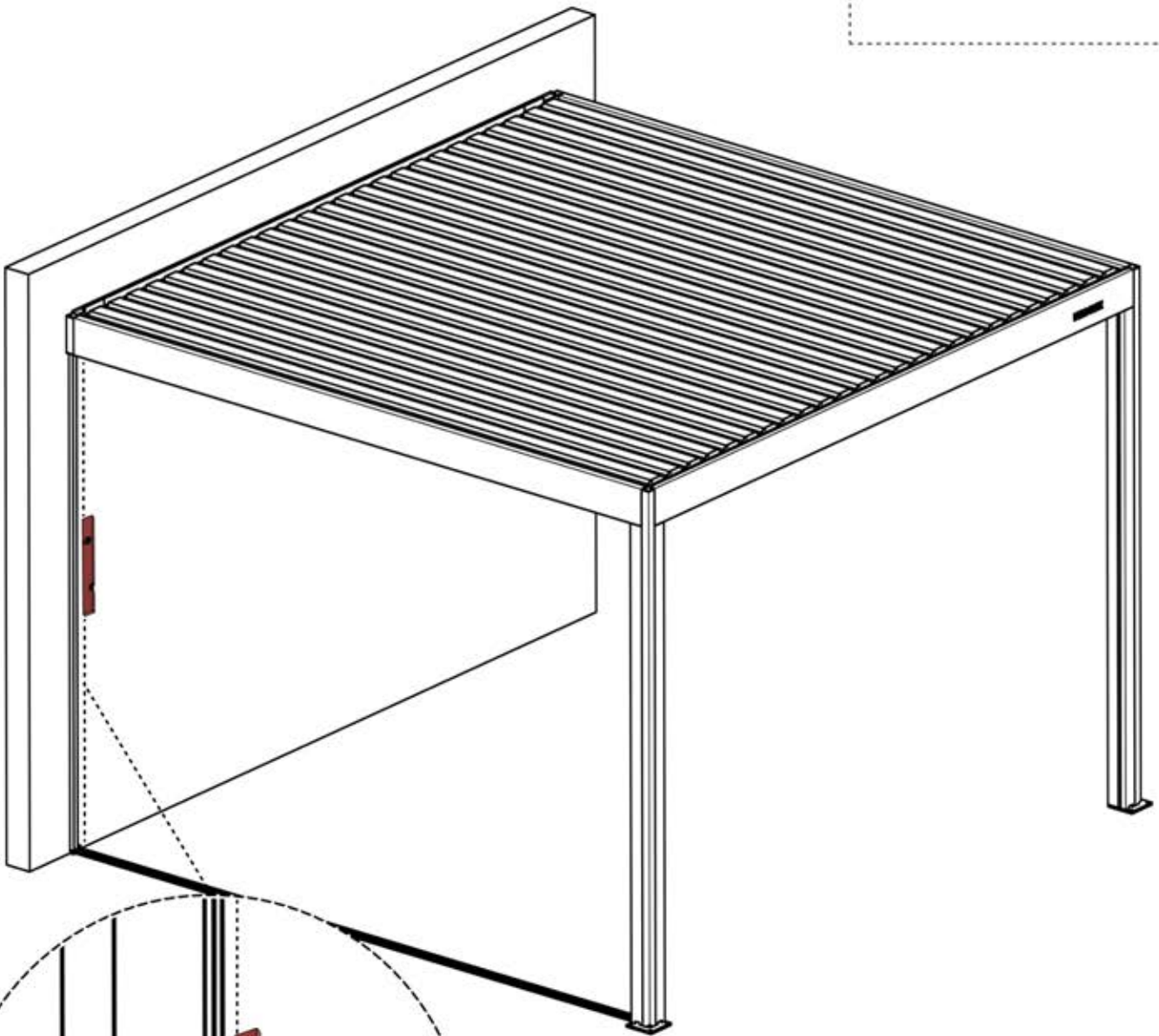
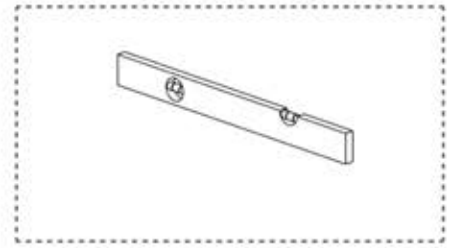
# 3




# 4

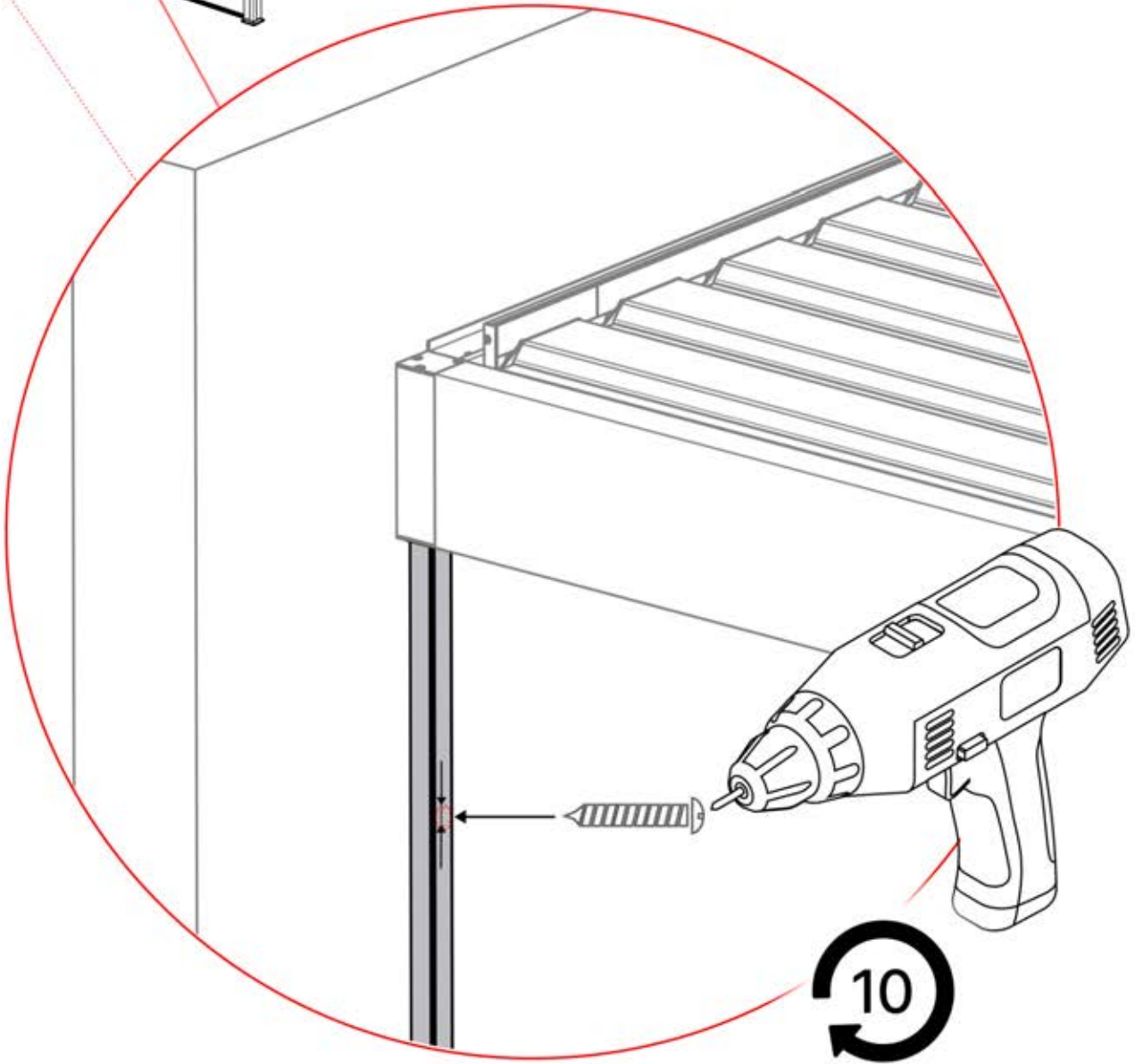
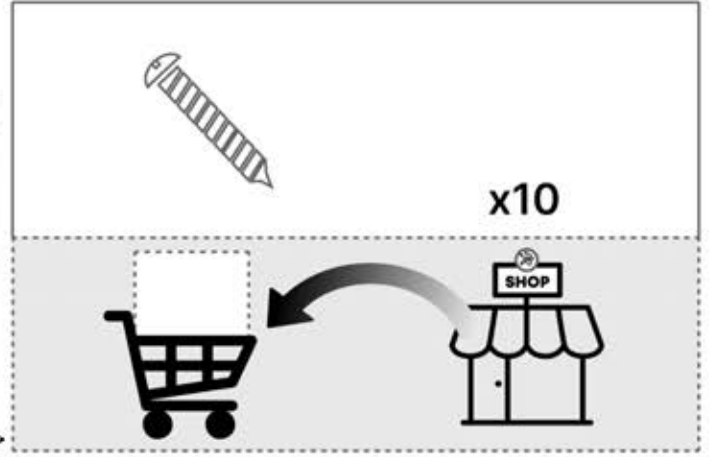
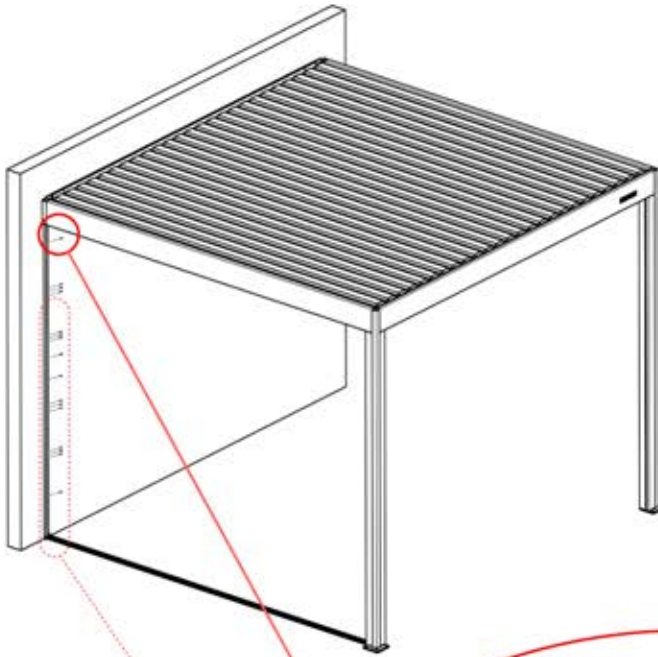


PERGOLUX | SLAT WALL  
INFORMATION

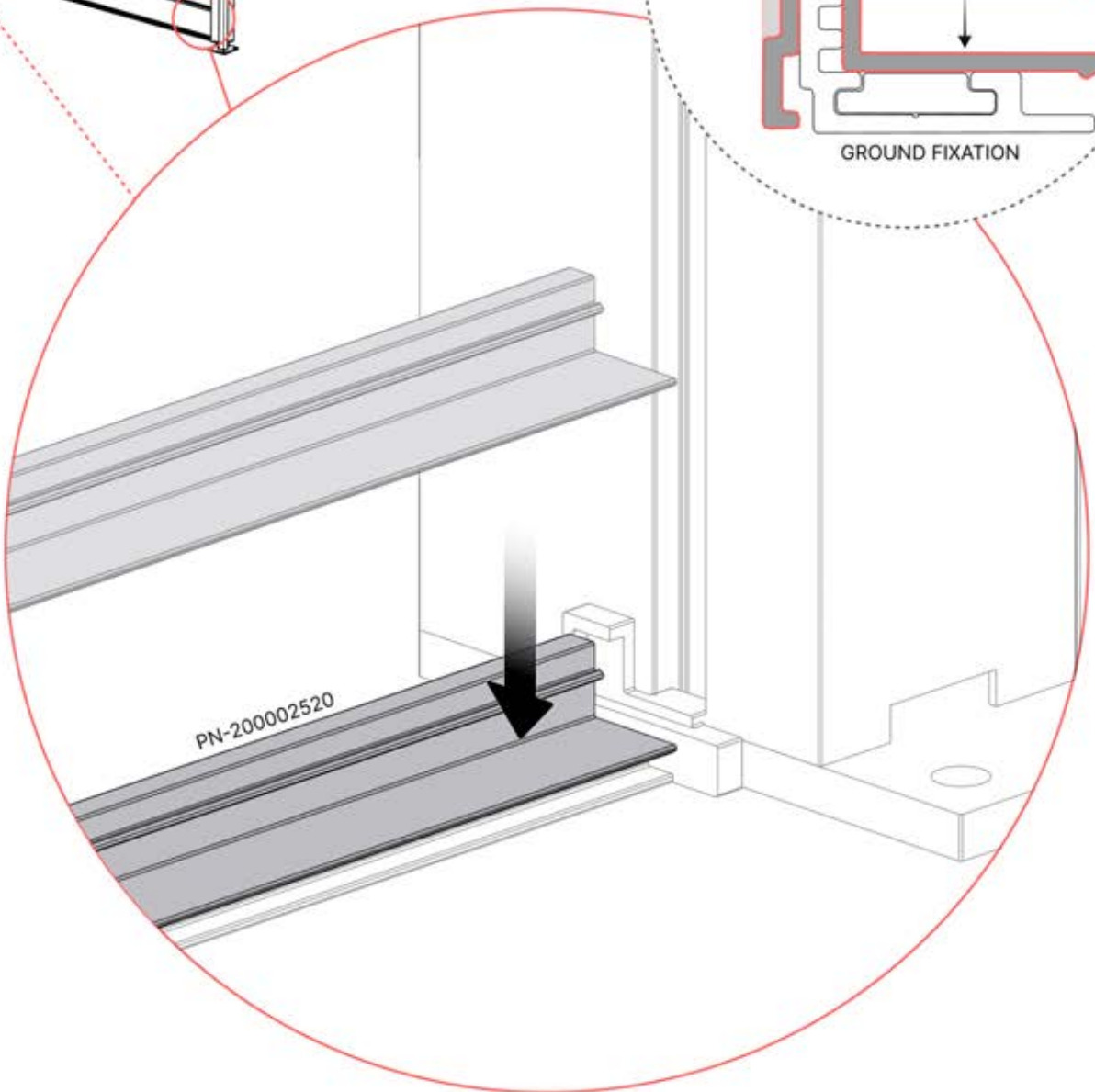
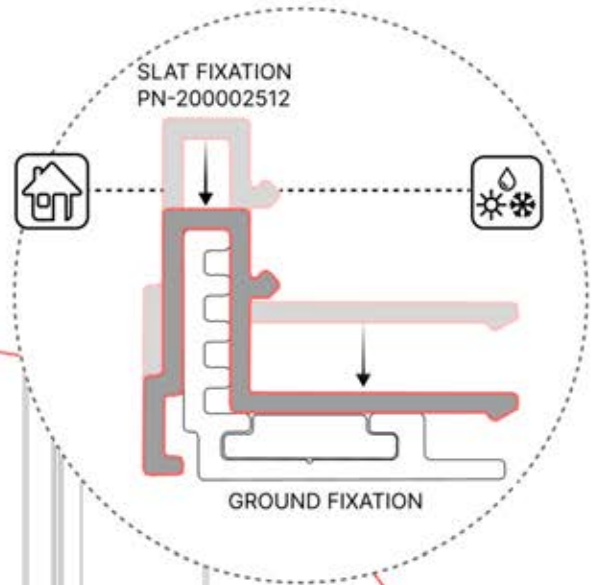
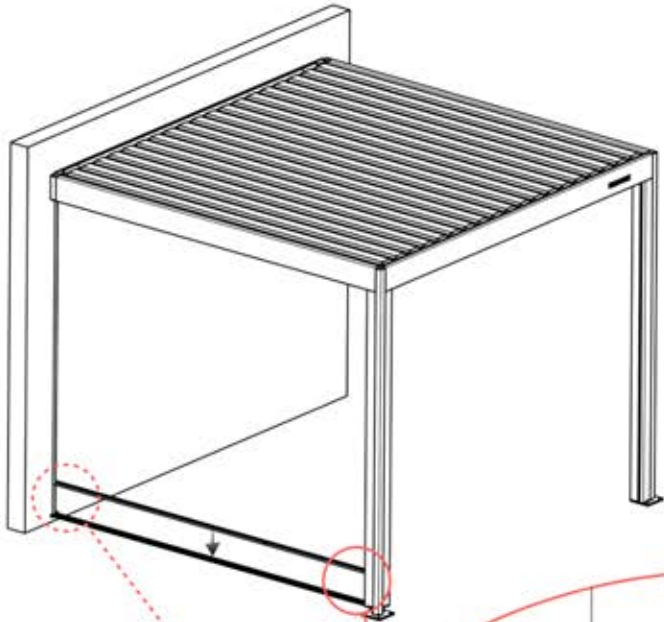
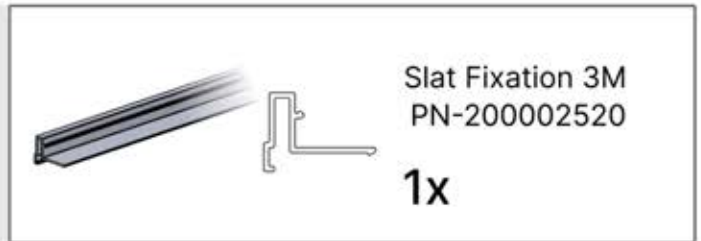
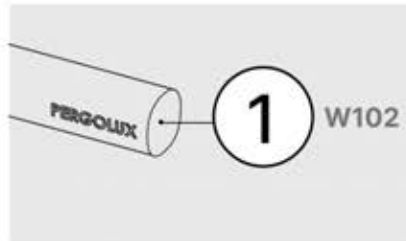


  
Use a spirit level to align the  
WF Fixation part, ensuring it is  
exactly parallel to the  
centerline of the front pole

# 5

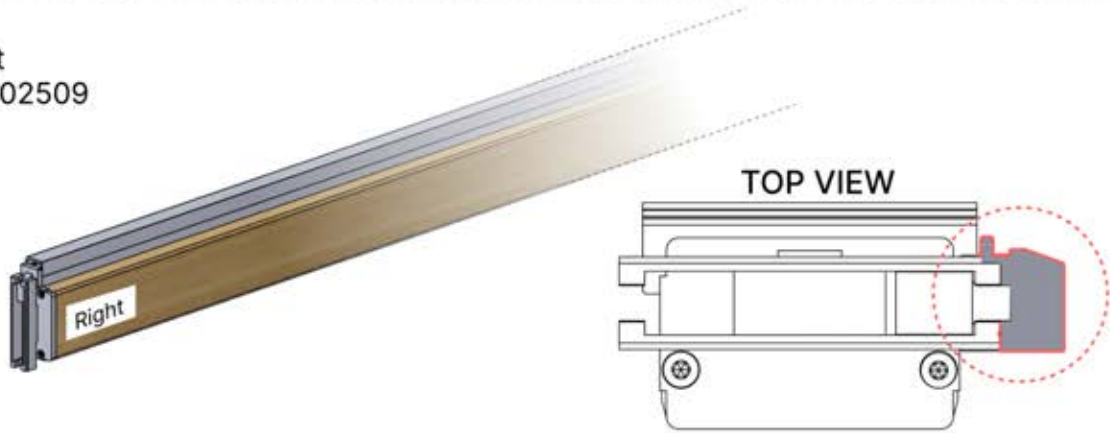


# 6

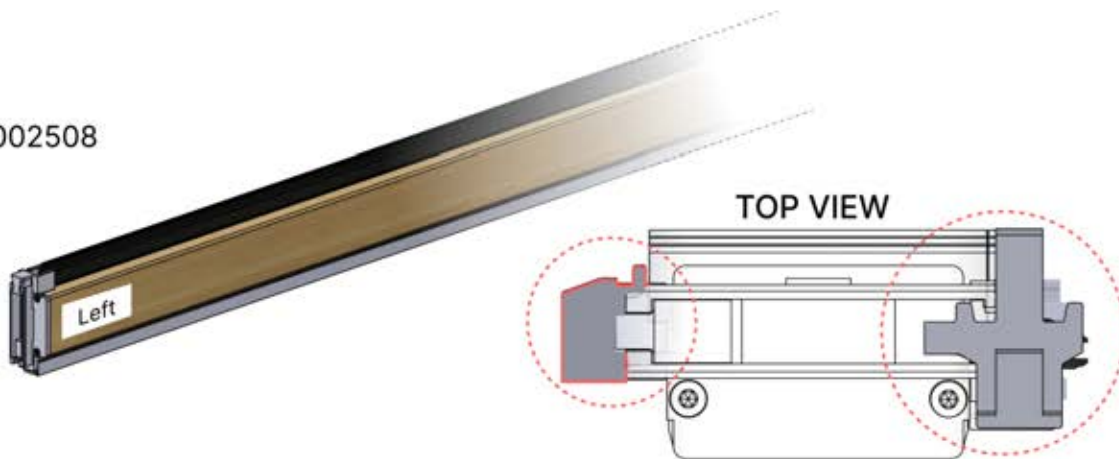


# SLAT OVERVIEW

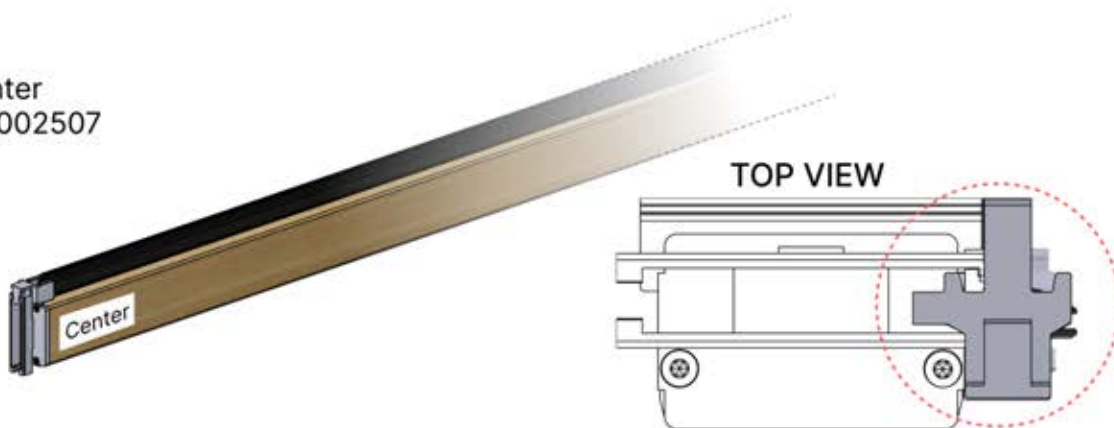
Slat Right  
PN-200002509  
**1x**



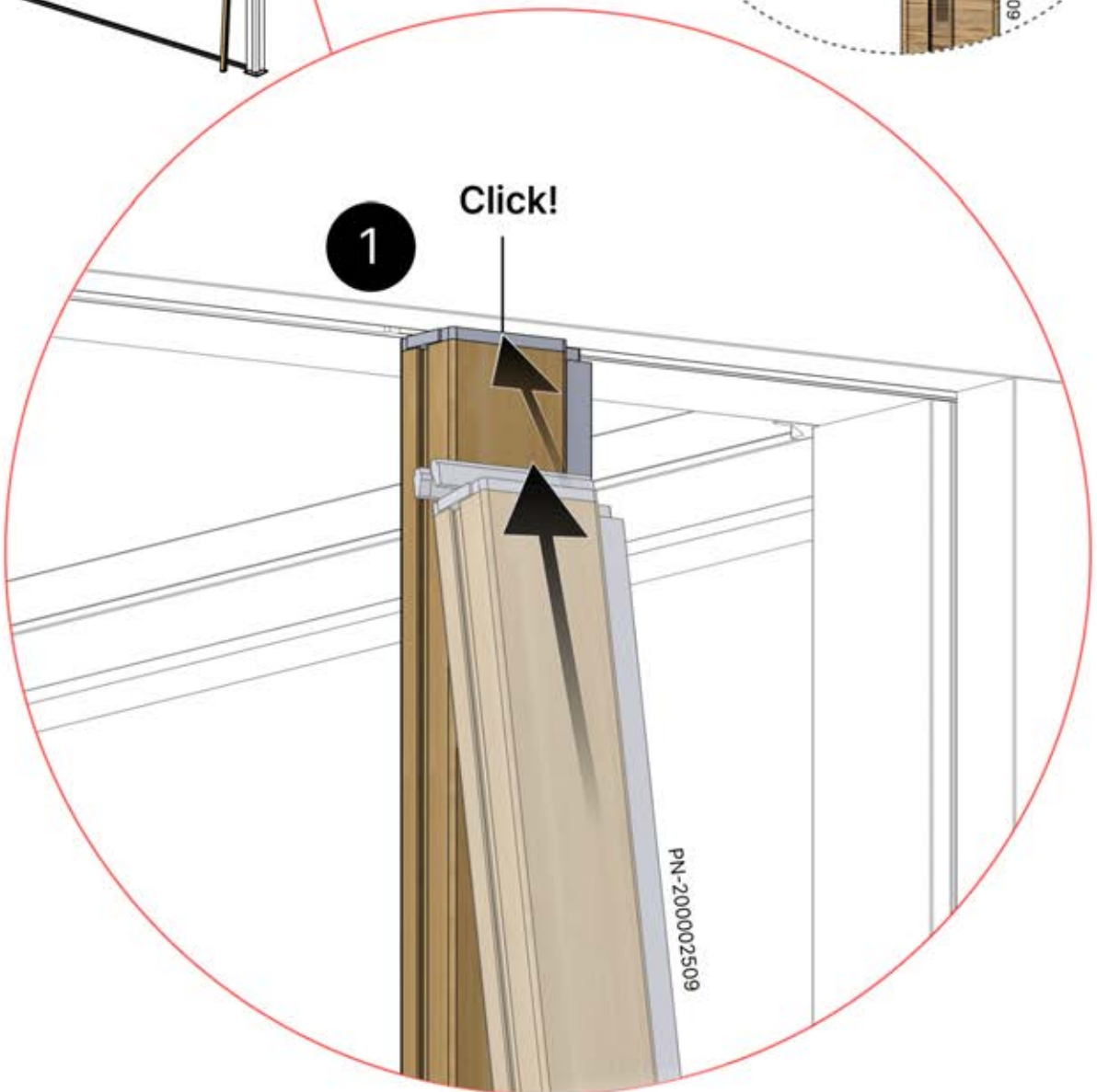
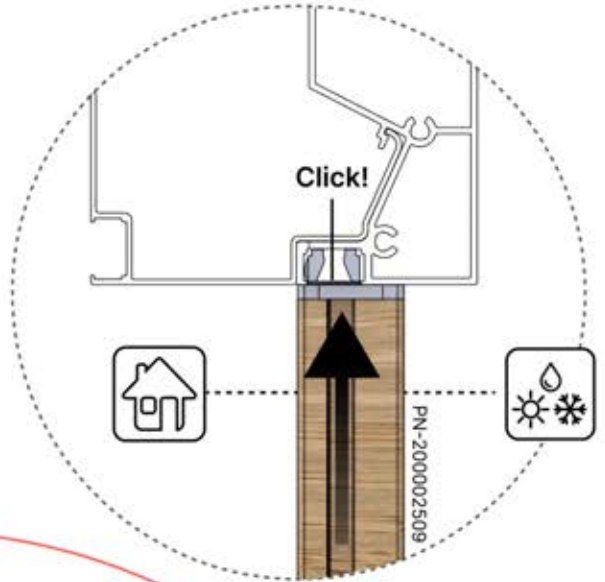
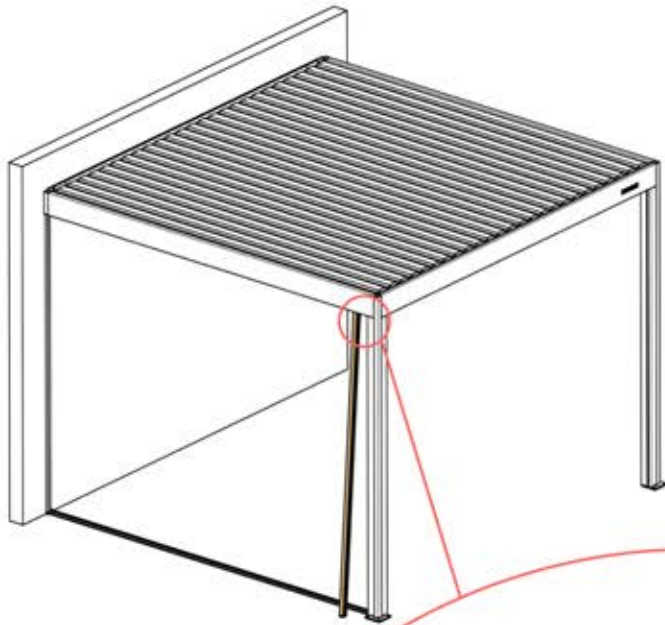
Slat Left  
PN-200002508  
**1x**



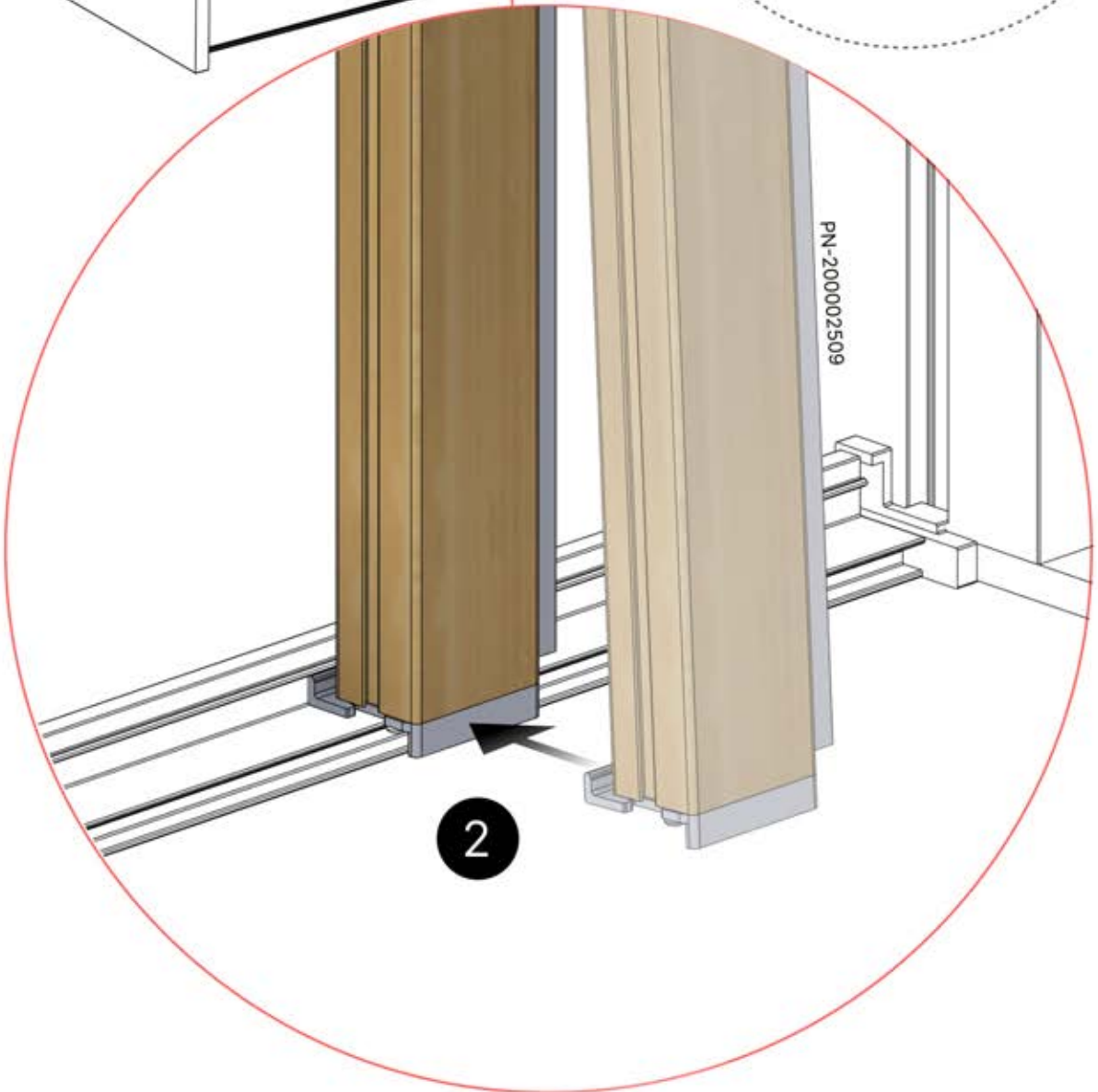
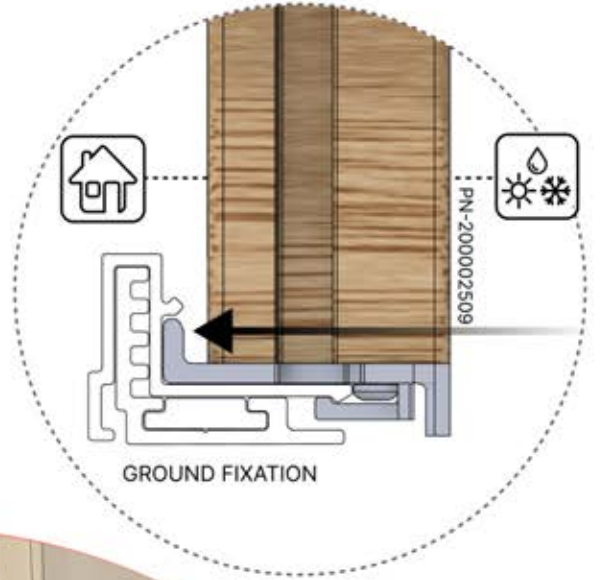
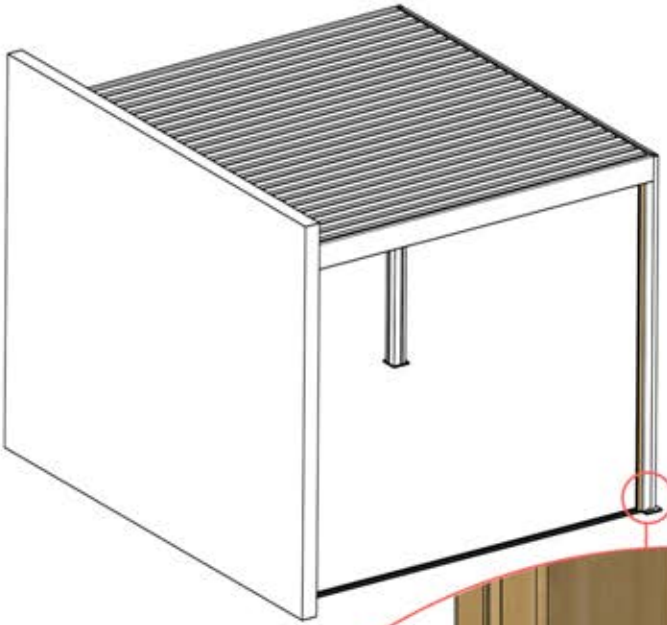
Slat Center  
PN-200002507  
**44x**



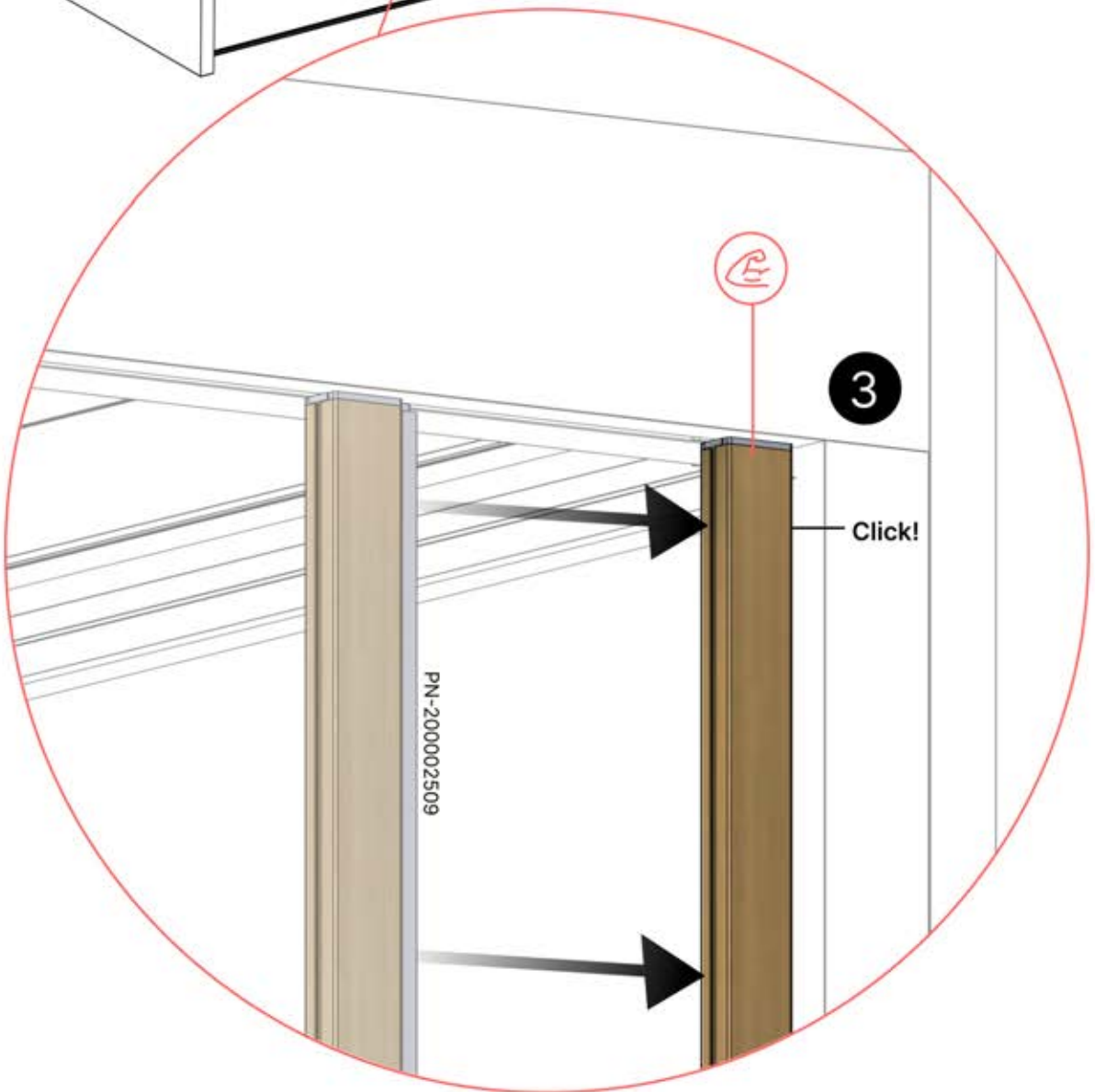
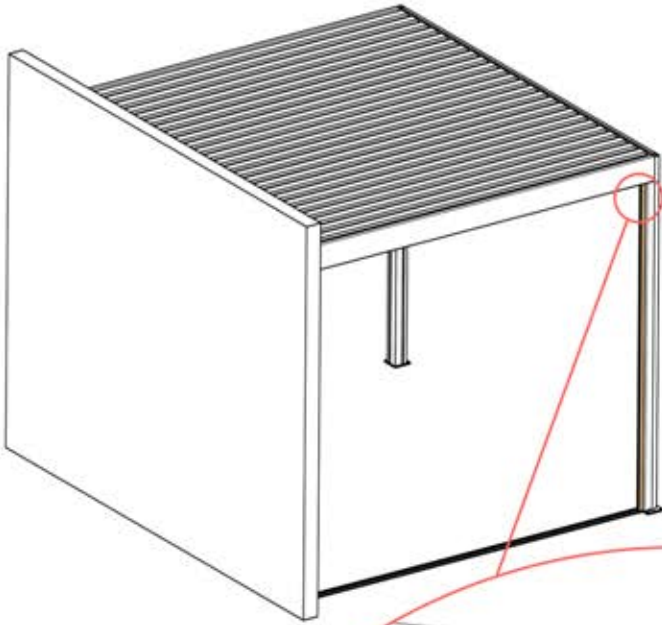
# 7



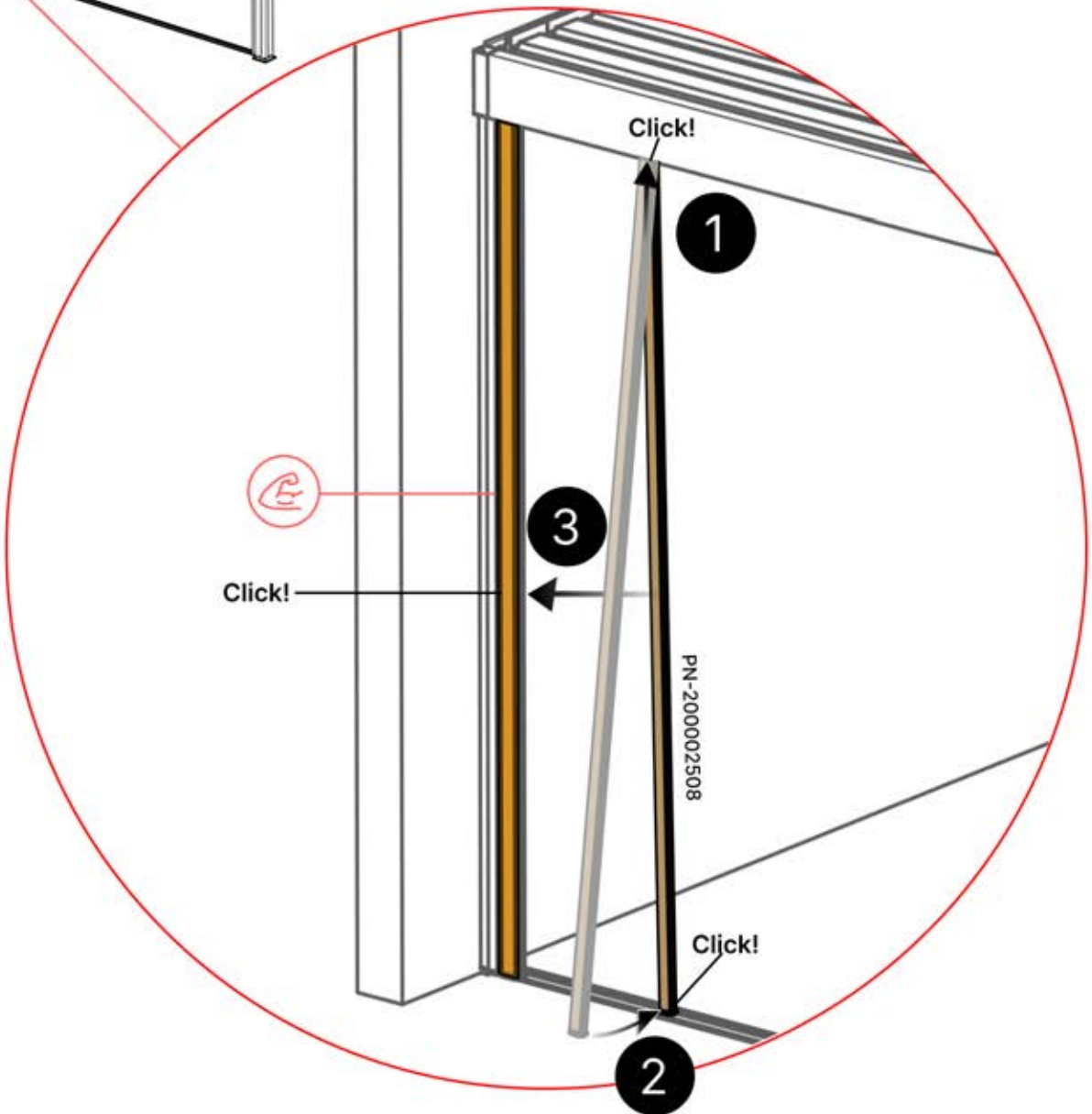
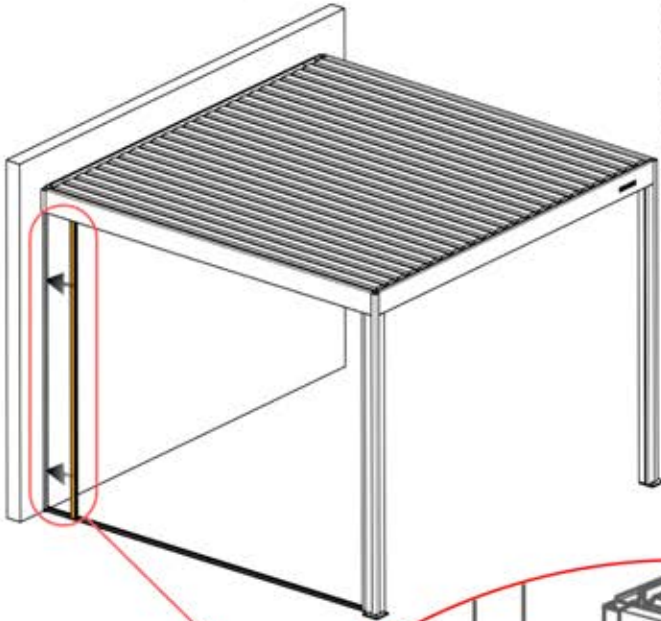
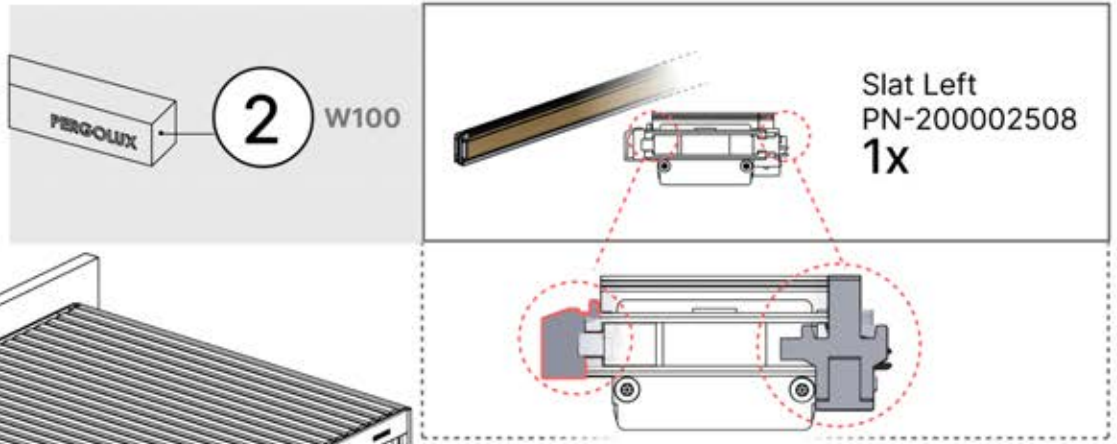
8



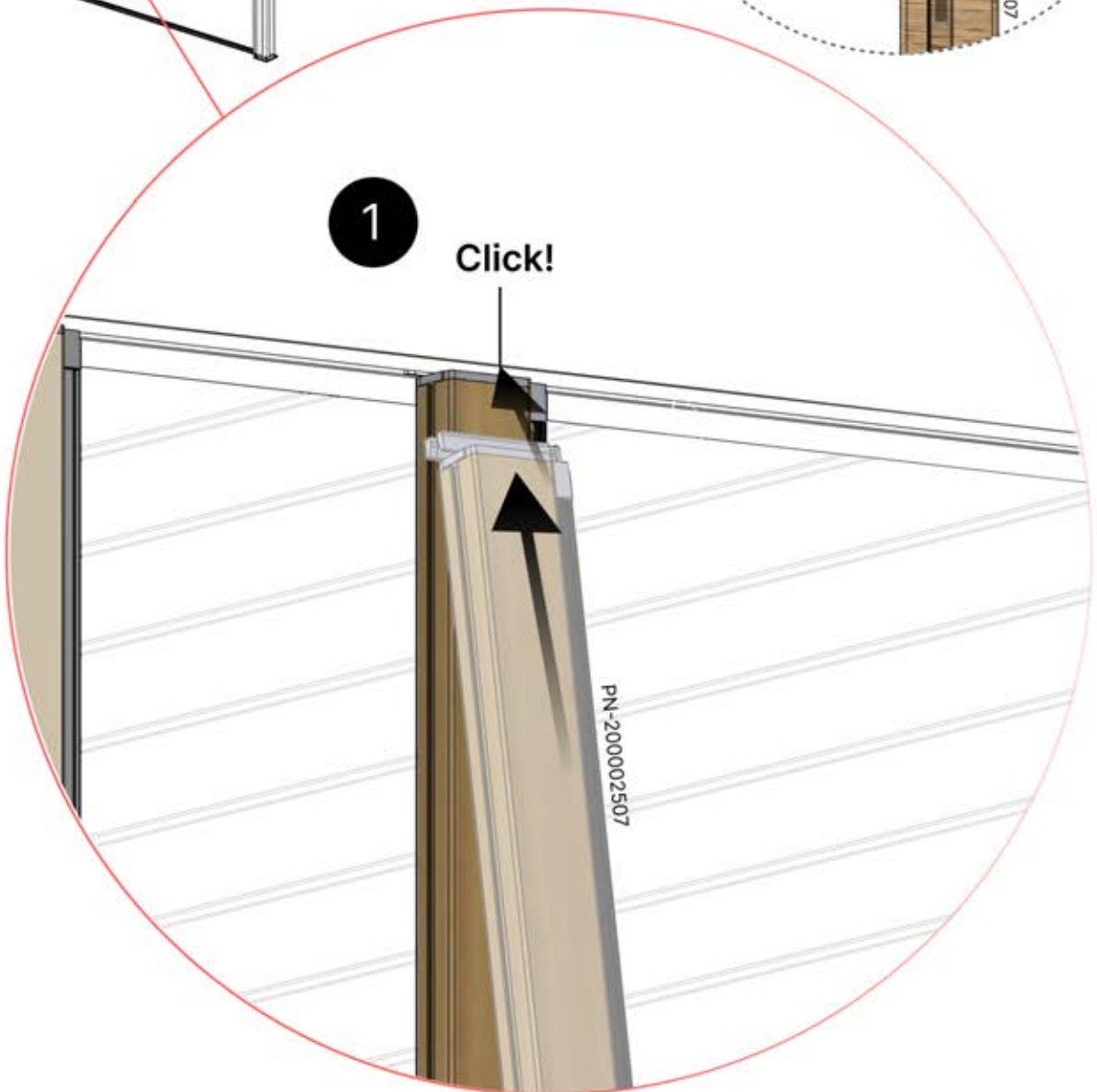
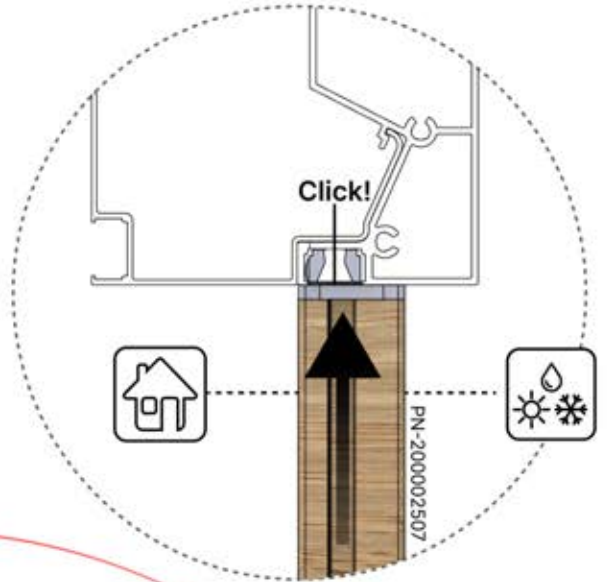
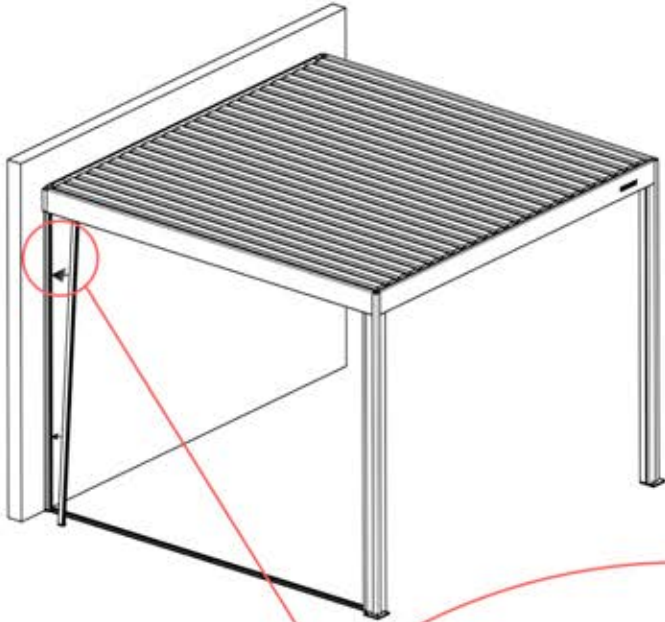
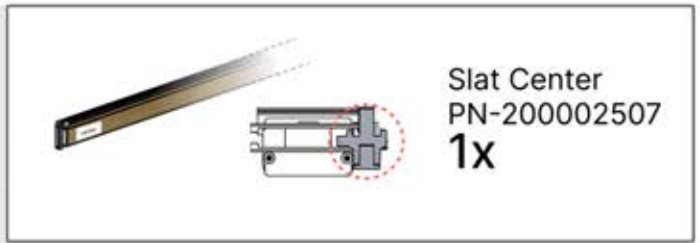
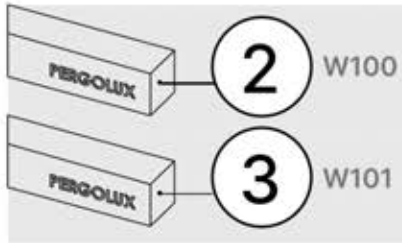
9



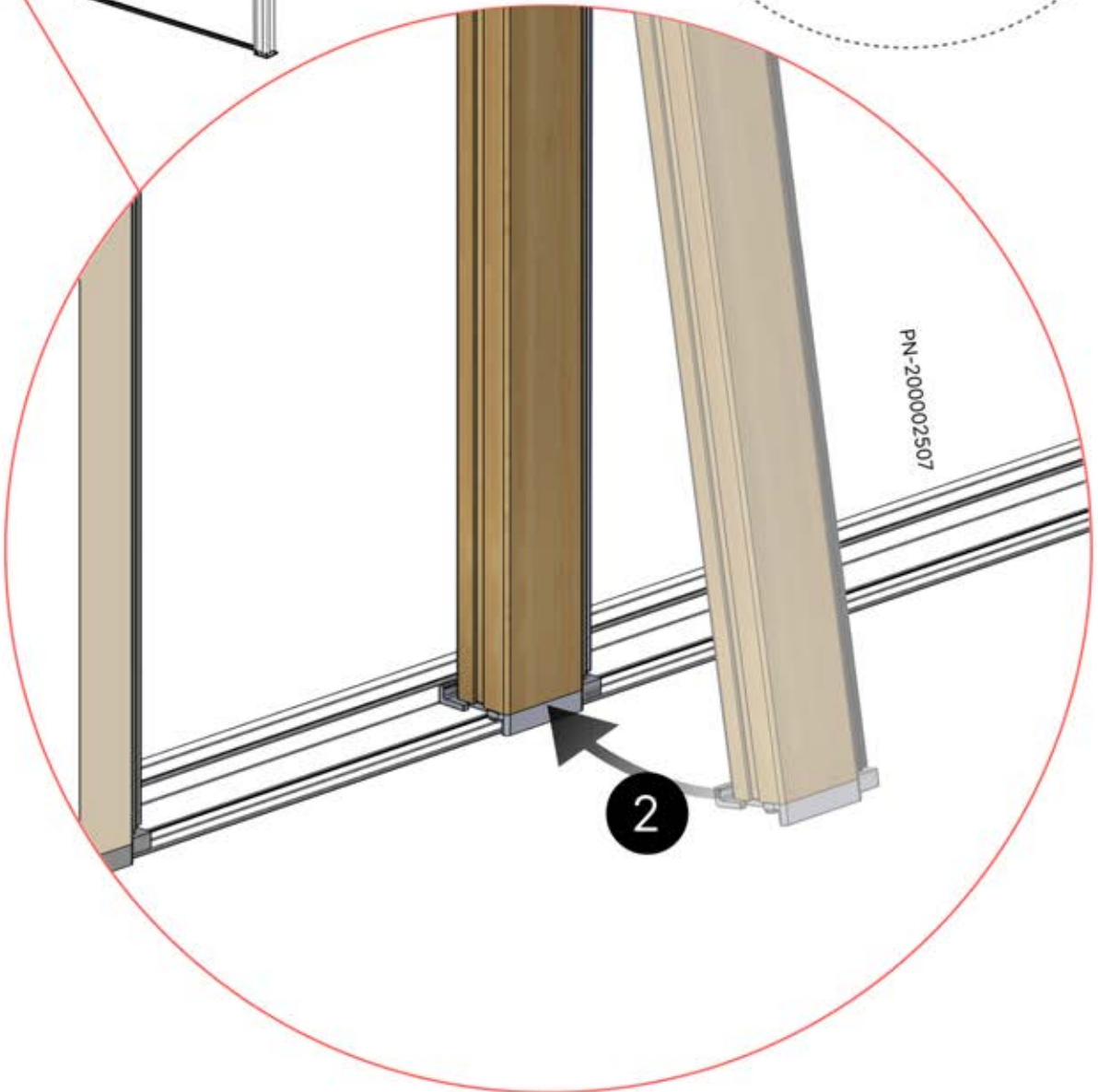
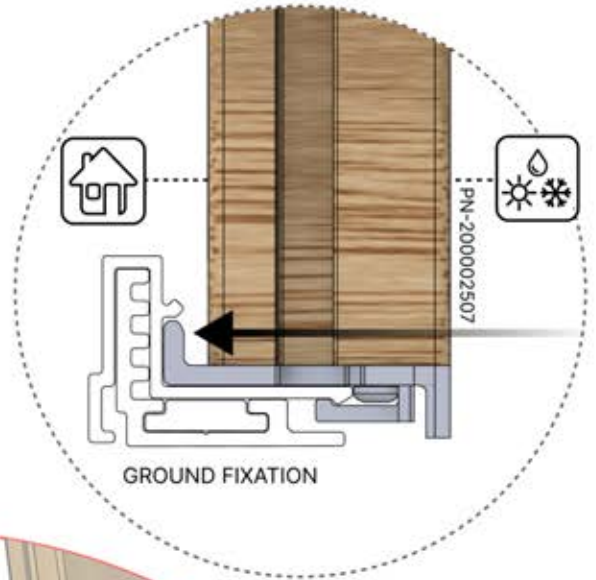
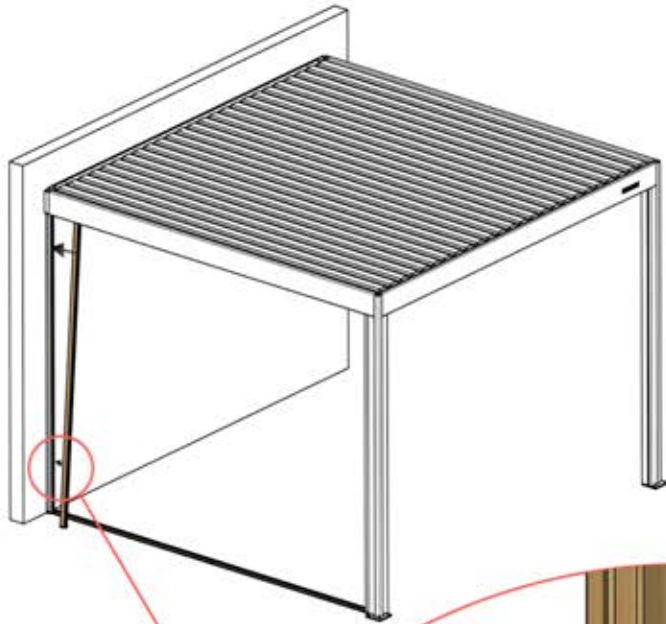
# 10



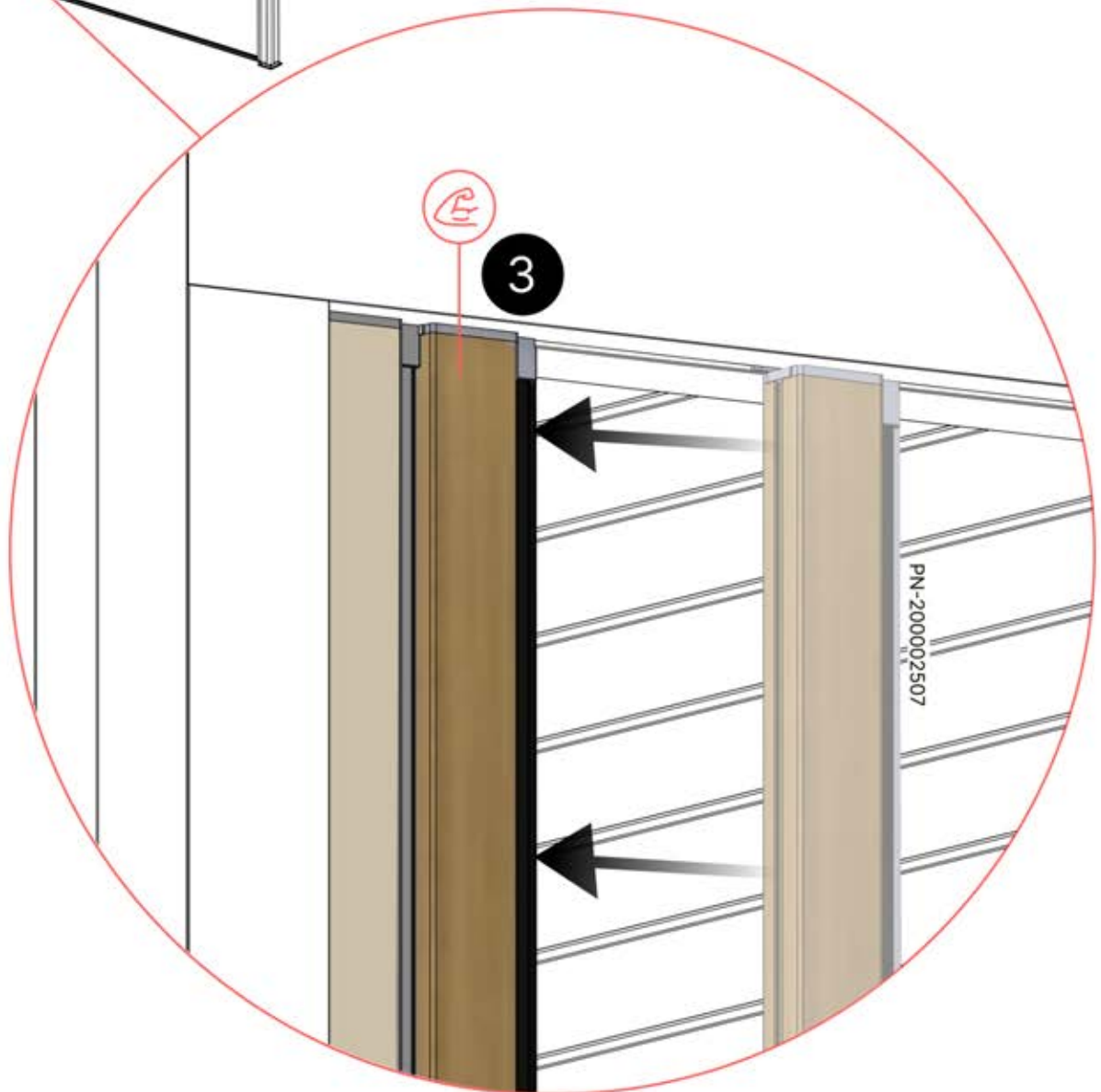
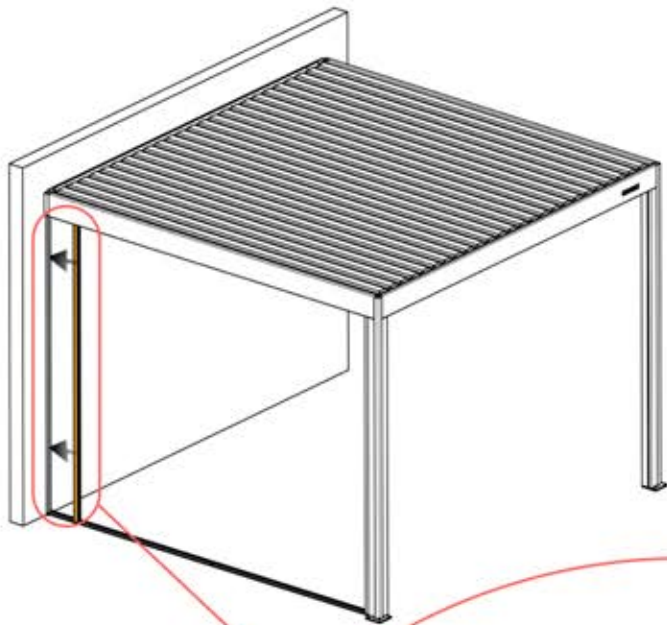
# 11



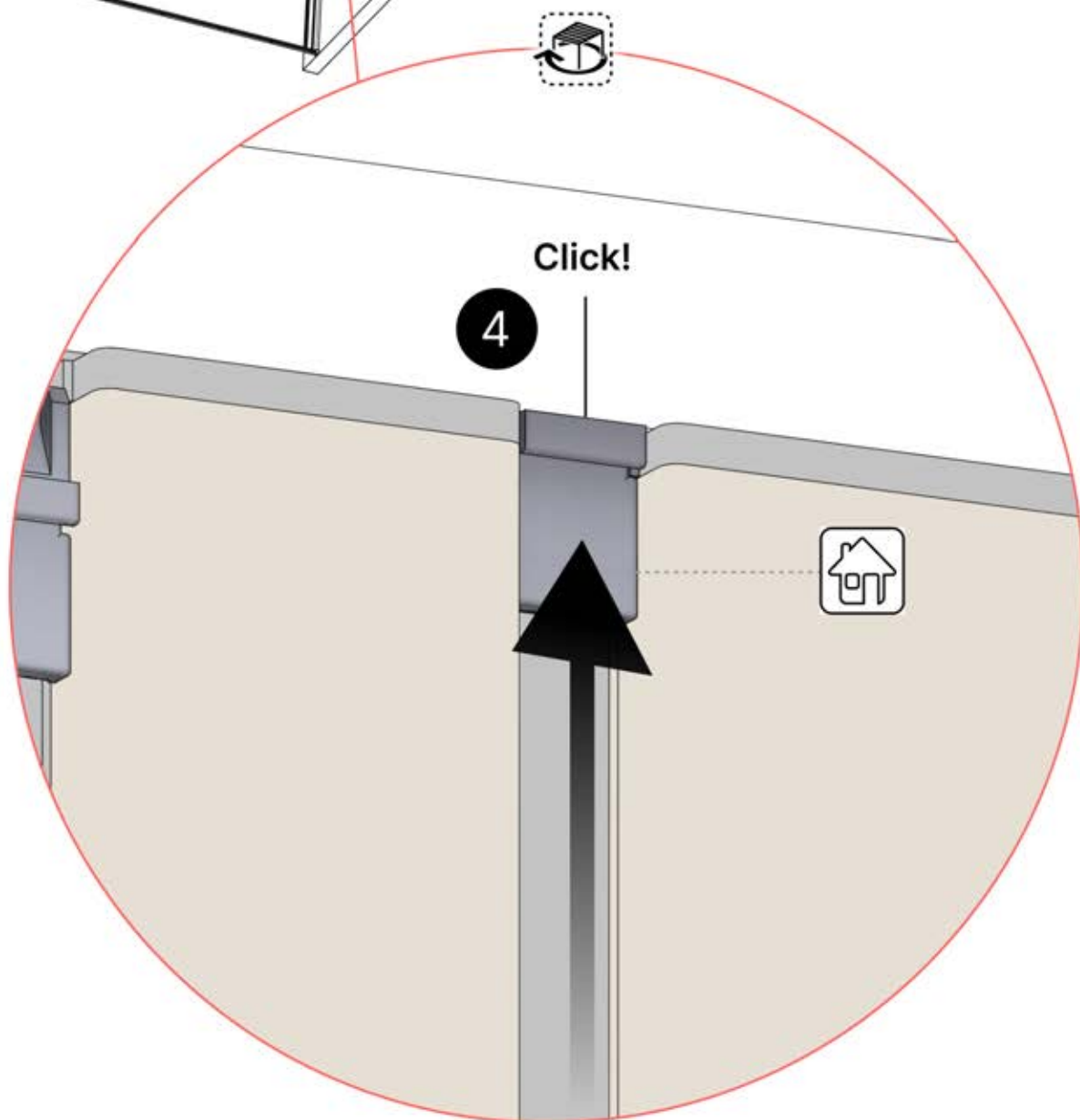
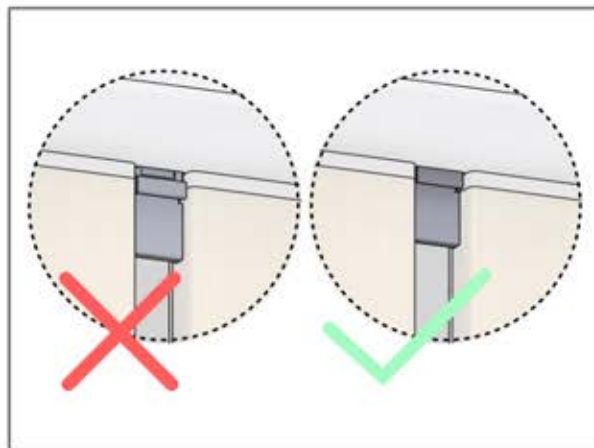
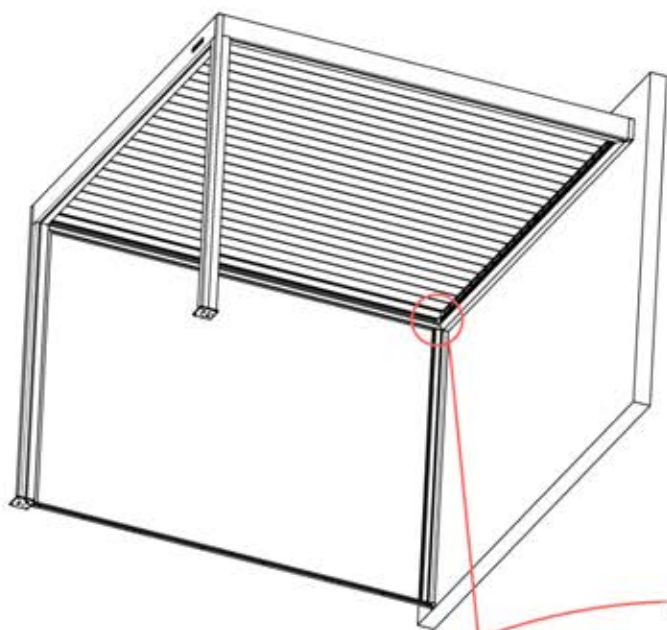
# 12



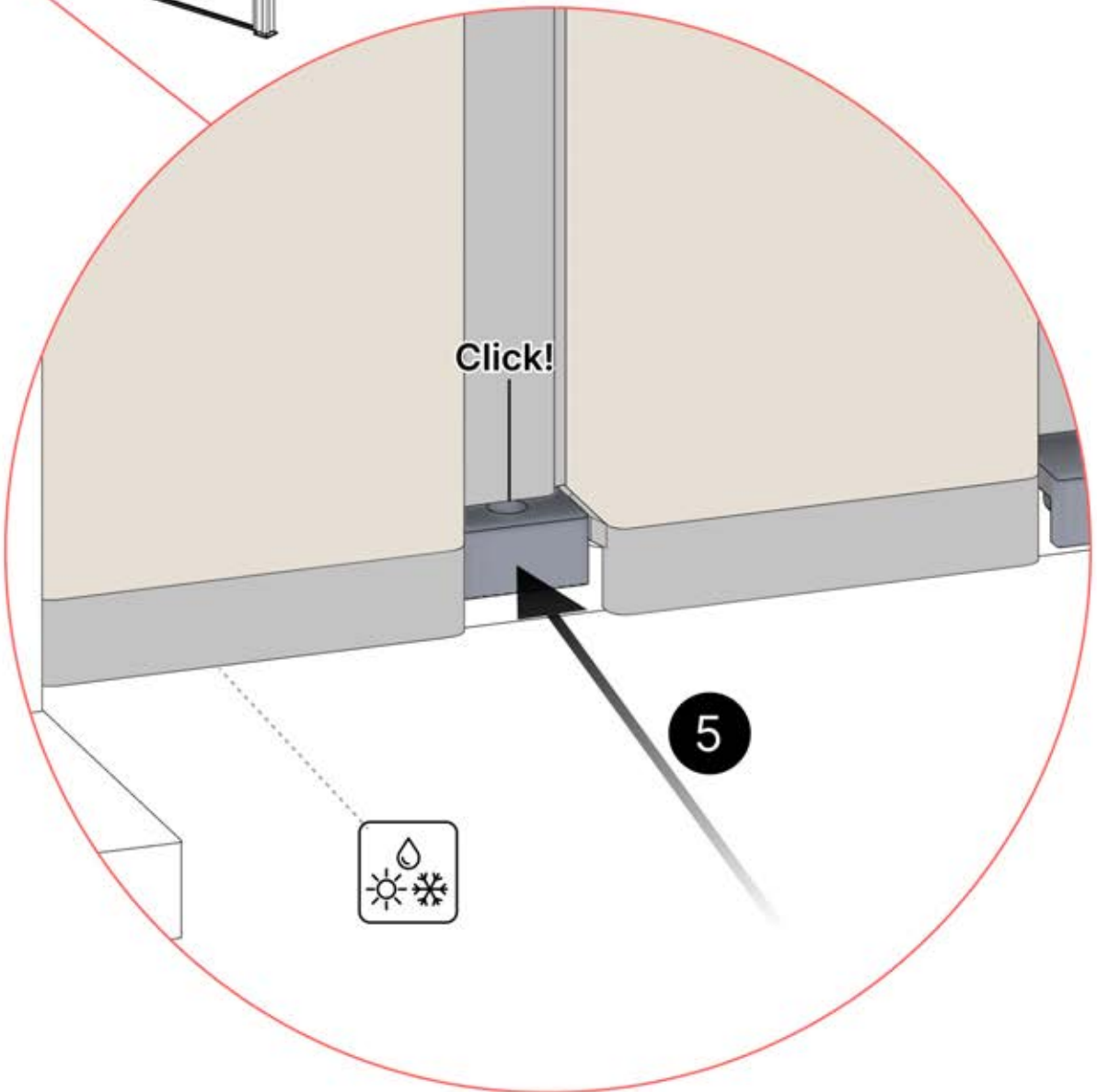
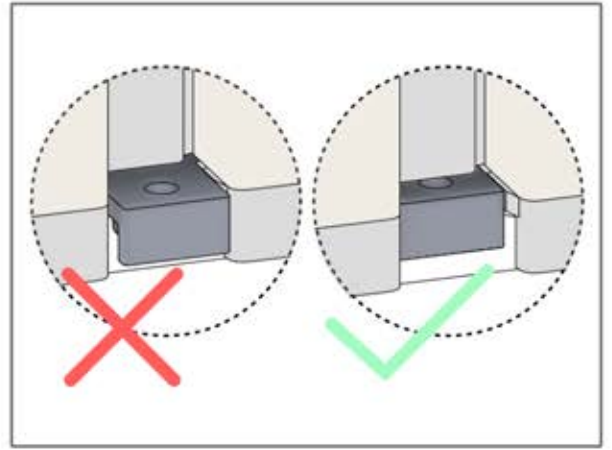
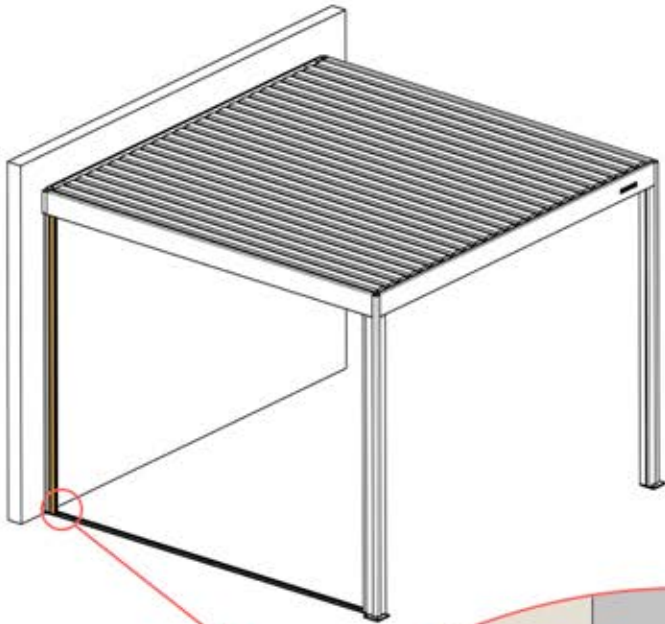
# 13



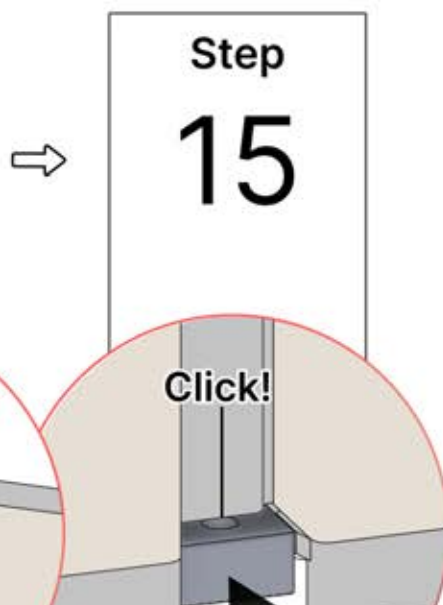
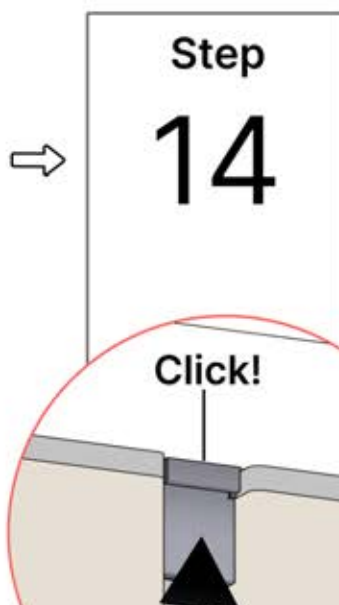
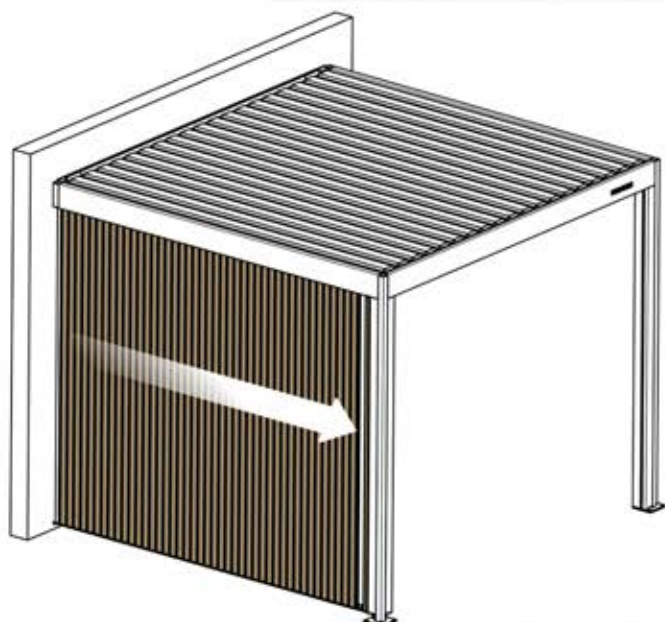
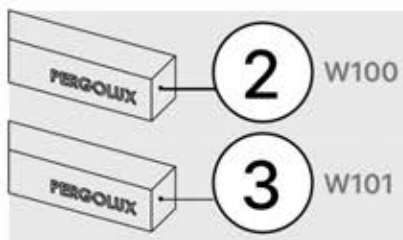
# 14



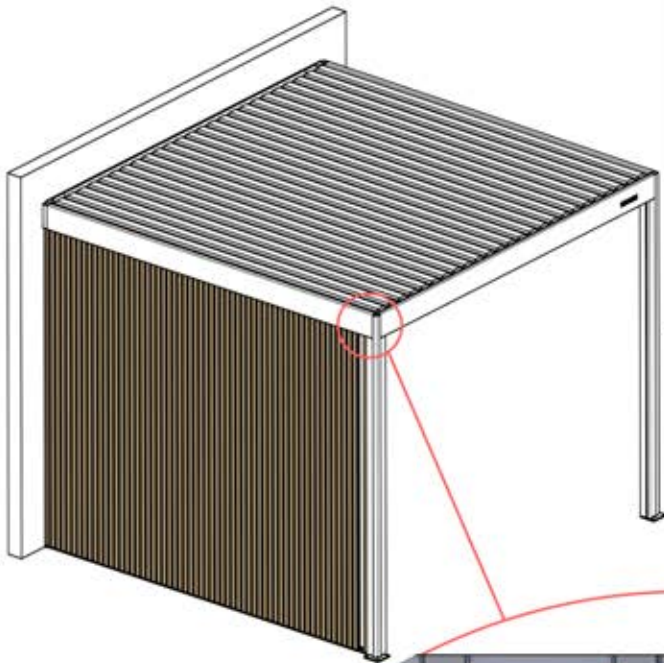
# 15



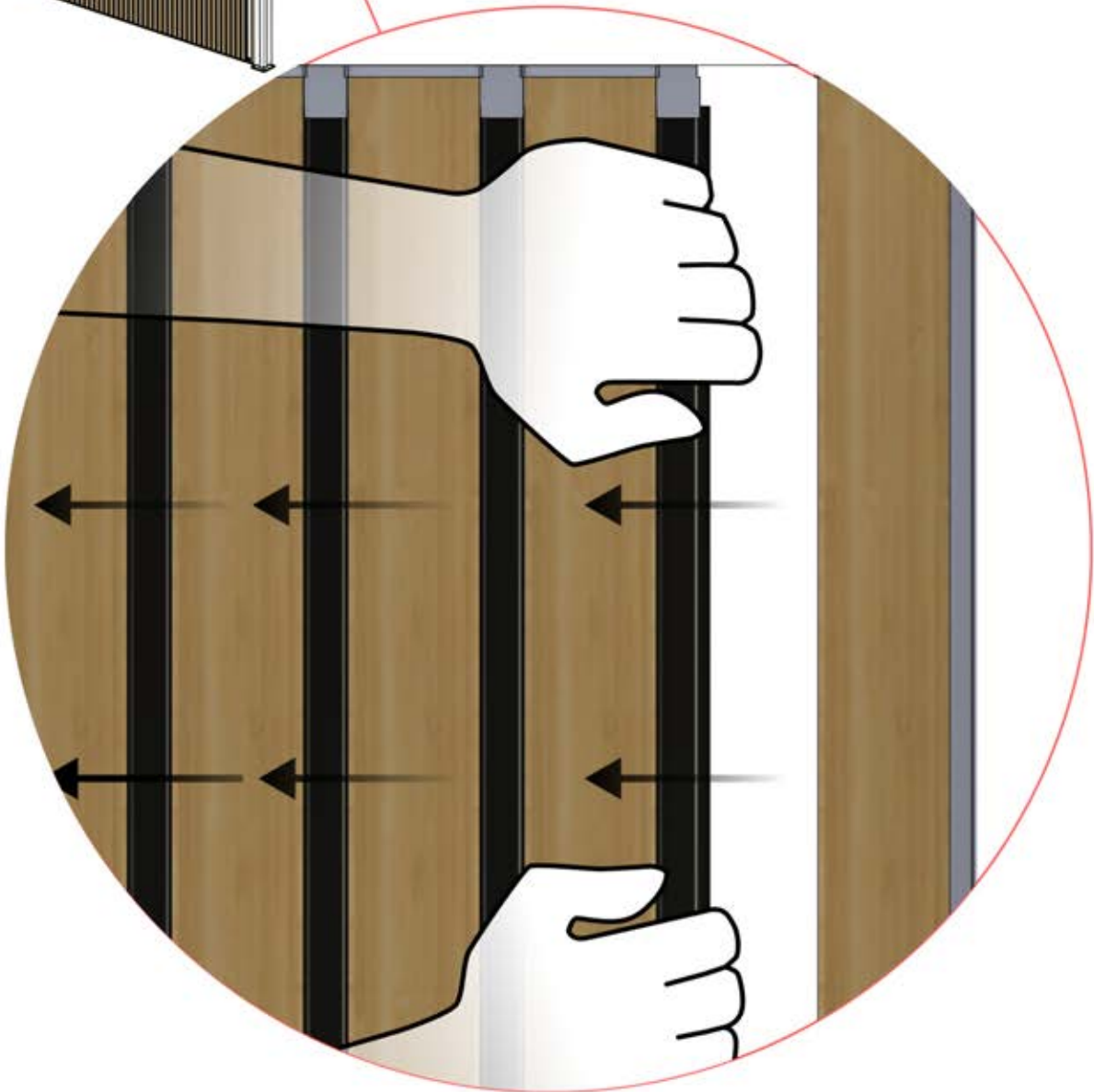
# 16



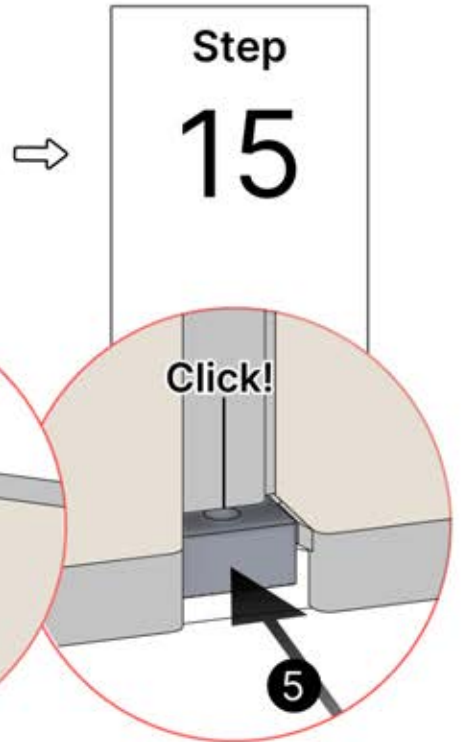
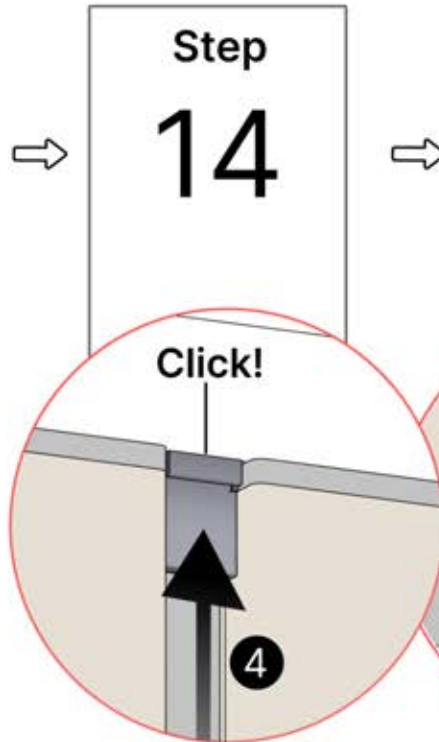
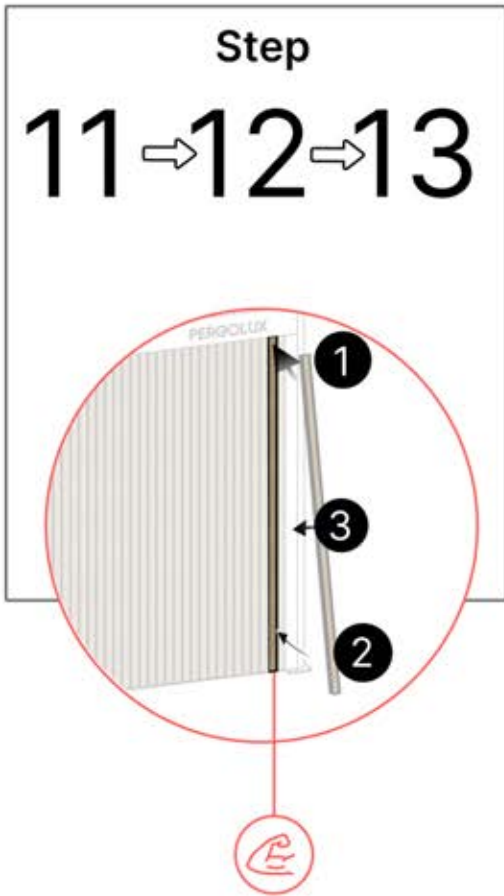
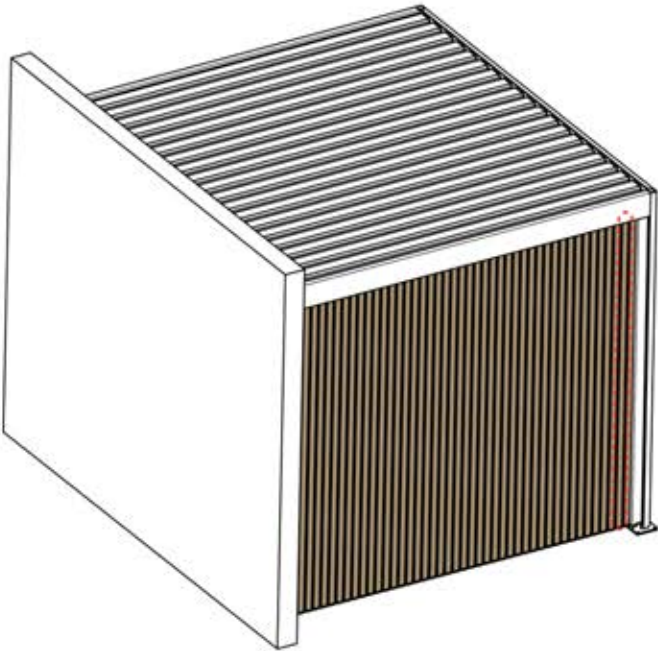
# 17



The last step can be a bit tricky, we recommend to press all profiles closely together to avoid leaving any gaps, which could prevent the last profile from fitting in place.



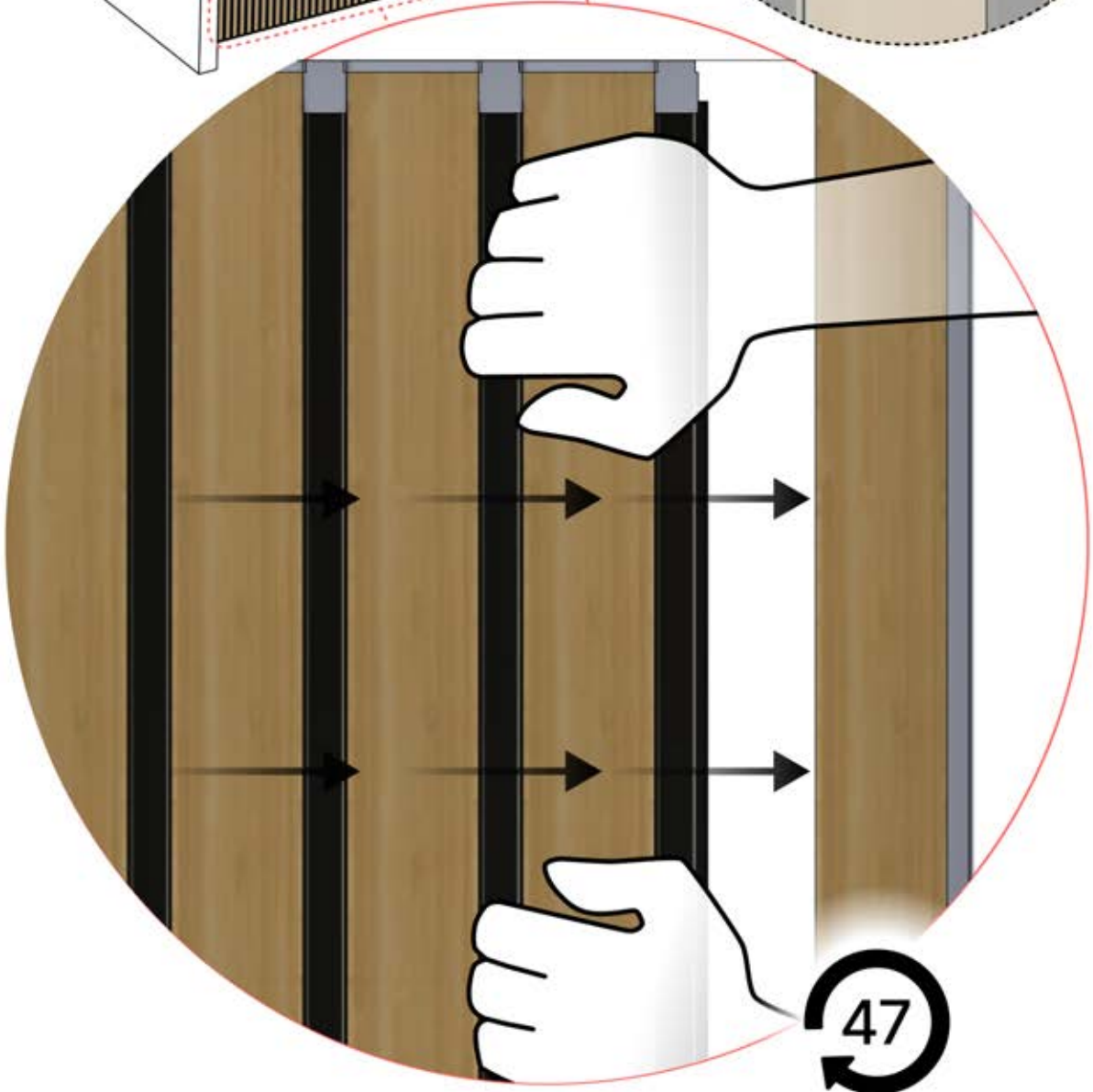
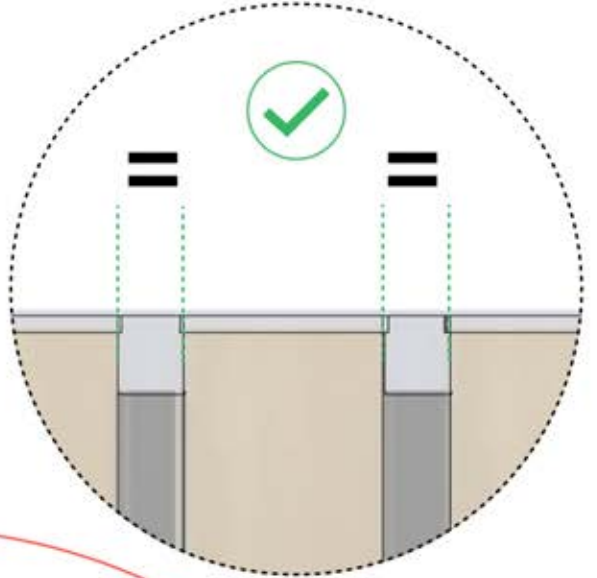
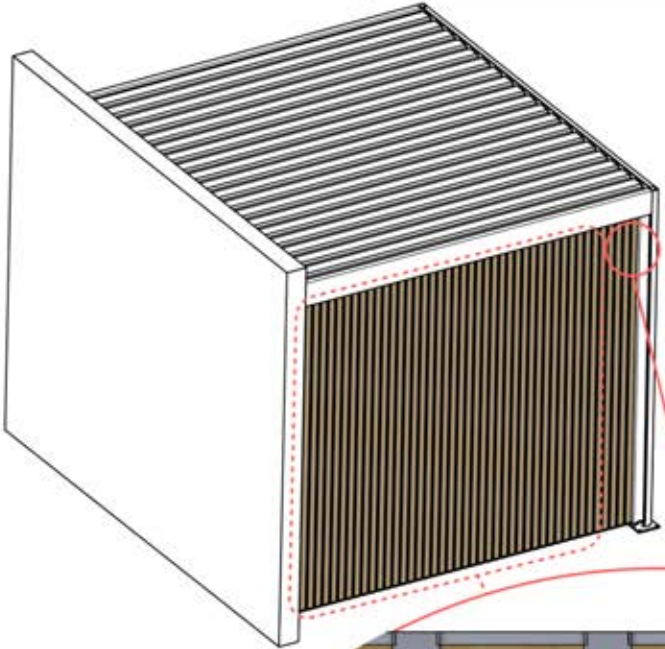
# 18



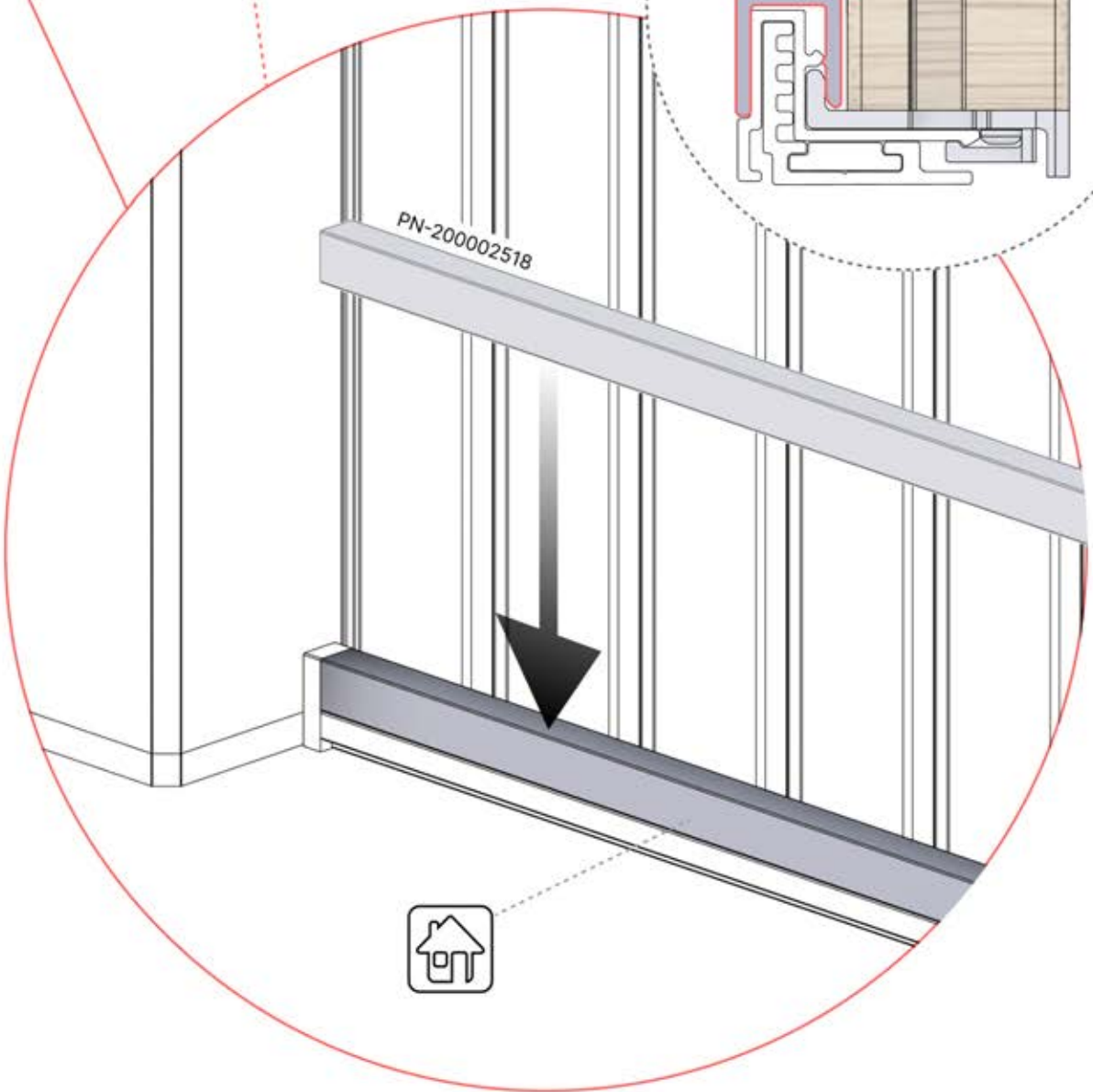
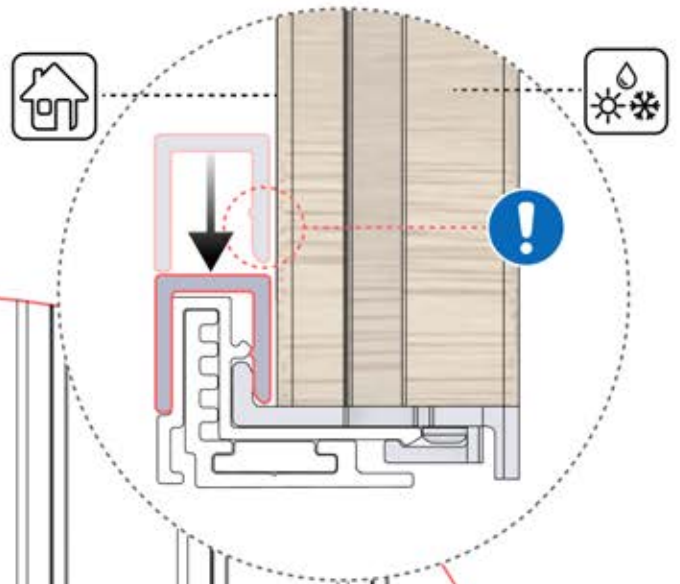
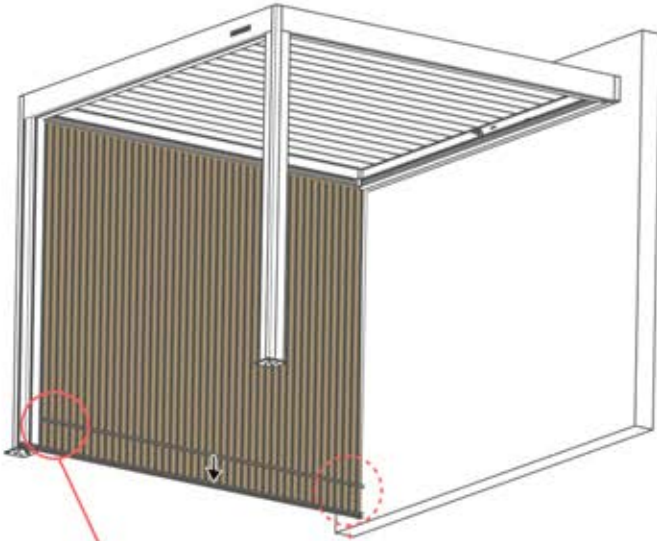
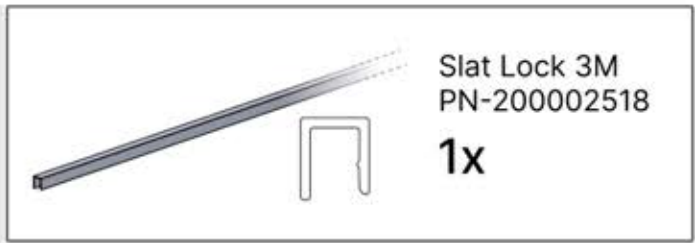
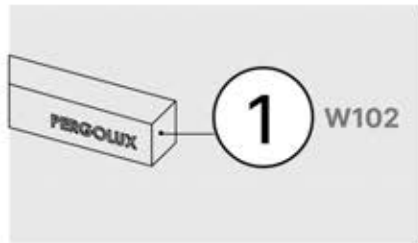
# 19



Carefully adjust the slats by hand to ensure the gap at the end is even, if necessary.

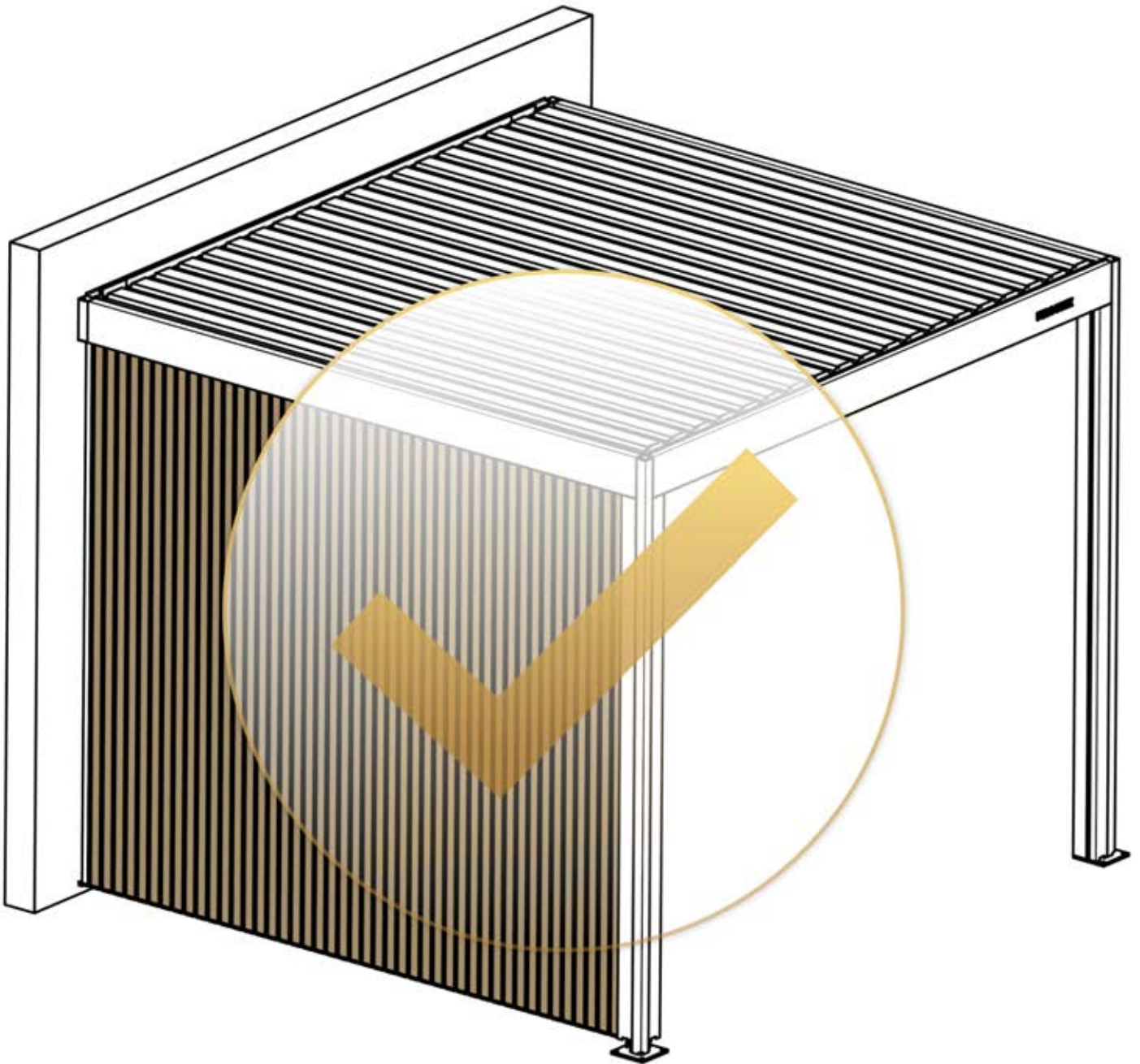


# 20



PERGOLUX | SLAT WALL

3 M / 10'



PERGOLUX