

S4

PERGOLA

PRO MAX



4 x 6m / 13' x 19'
FREESTANDING

PERGOLUX



Type Approved
Regular
Production
Surveillance
www.tuv.com
ID 1111293124

INFORMATION



INSTALLATION INSTRUCTIONS:

Ensure all parts are present and undamaged before starting the assembly.

Secure to a solid foundation with the correct fasteners for your foundation.

(If applicable) Install motors and wiring as shown. Ensure the electrical components are powered off during installation.

Use the correct lifting and installation equipment.

SAFETY WARNINGS:

Keep children and pets away during installation.

Do not operate the structure if parts are loose or improperly installed.

Ensure the structure is securely anchored to prevent accidents.

Do not insert fingers or any objects between the louvres.

MAINTENANCE:

Regularly clean the aluminum structure to maintain its appearance and prevent the accumulation of dirt.

Also, make sure to clean the gutters regularly. Inspect moving parts for wear and lubricate as necessary.

Check anchor points periodically to ensure stability.



INSTALLATIONSANLEITUNG:

Stellen Sie sicher, dass alle Teile vorhanden und unbeschädigt sind, bevor Sie mit der Montage beginnen.

Befestigen Sie sie mit den richtigen Befestigungselementen für Ihr Fundament auf einem soliden Fundament.

(Falls zutreffend) Installieren Sie Motoren und Verkabelung wie gezeigt. Stellen Sie sicher, dass die elektrischen Teile während der Installation ausgeschaltet sind.

Verwenden Sie die richtige Hebe- und Installationsausrüstung.

SICHERHEITSHINWEISE:

Halten Sie Kinder und Haustiere während der Installation fern.

Betreiben Sie die Struktur nicht, wenn Teile lose oder nicht richtig installiert sind.

Stellen Sie sicher, dass die Struktur sicher verankert ist, um Unfälle zu vermeiden.

Stecken Sie keine Finger oder andere Gegenstände zwischen die Lamellen.

WARTUNG:

Reinigen Sie die Aluminiumstruktur regelmäßig, um ihr Aussehen zu erhalten und die Ansammlung von Schmutz zu verhindern.

Reinigen Sie auch die Dachrinnen regelmäßig. Überprüfen Sie bewegliche Teile auf Verschleiß und schmieren Sie sie bei Bedarf.

Überprüfen Sie die Ankerpunkte regelmäßig, um die Stabilität sicherzustellen.



Pergolux GmbH, 9 Goethestraße,
36043 Fulda,
Germany

26

DOP-MAX-FSWM-S4

EN 13561:2015

Pergolux Pergola PRO MAX S4
External use in buildings and other
construction works

Resistance to wind loads: Class6(EN13561)

SYMBOL EXPLANATION



Indicates the outside of the pergola structure.



This step may require extra force.



Indicates the inside of the pergola structure.



Key information to follow during installation.



Important! Be cautious when assembling or handling this part.



This item must be purchased separately.



Required tools for assembly.



Apply lubricant to make screw assembly easier.



Ensure grounding is connected before powering up.



Do not use a regular hammer, as it may cause damage.



Align slats according to sunlight direction for optimal shading.



AC Input



Repeat this step as many times as the number indicates

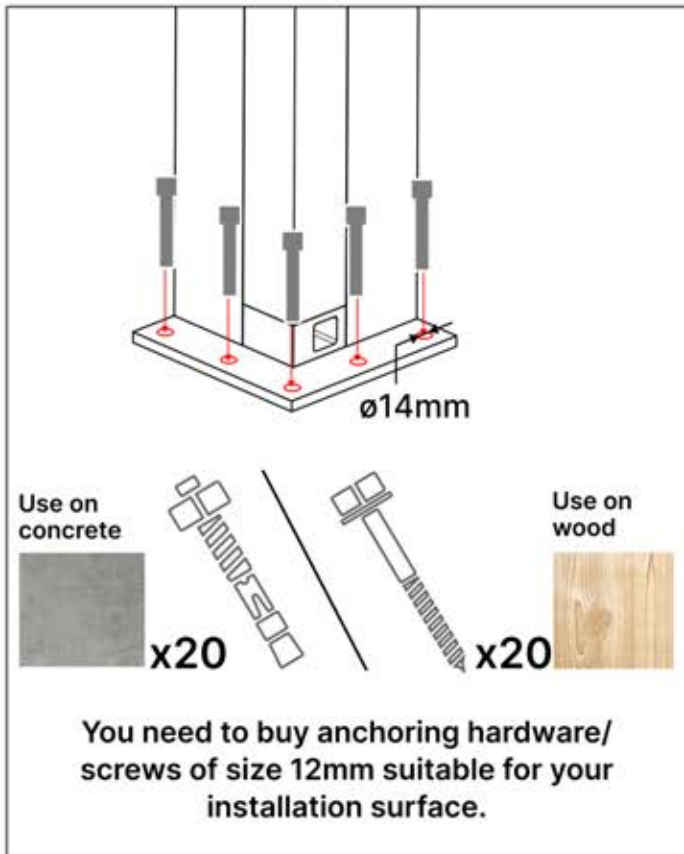


Motor



Turn around

S4 PERGOLUX | PERGOLA PRO MAX FREESTANDING INFORMATION

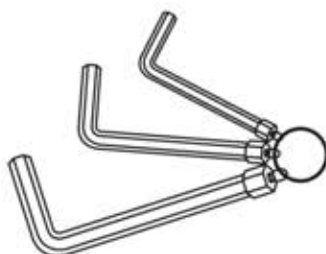
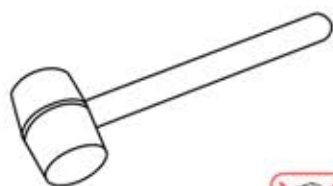


All screws from **PERGOLUX** are made of stainless steel, ensuring durability and resistance to rust. To prevent damage to screws, follow these guidelines:

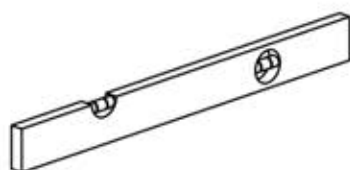
- **DO NOT OVERTIGHTEN:** Apply appropriate force to avoid stripping the threads.
- **CHOOSE THE CORRECT TOOL:** Use the proper screwdriver or bit to avoid damaging the screw head.
- **ENSURE PROPER USE:** With correct installation, screws will maintain their integrity and functionality over time.
- **USE LUBRICATION:** Apply lubricant to make screw assembly easier.



INFORMATION

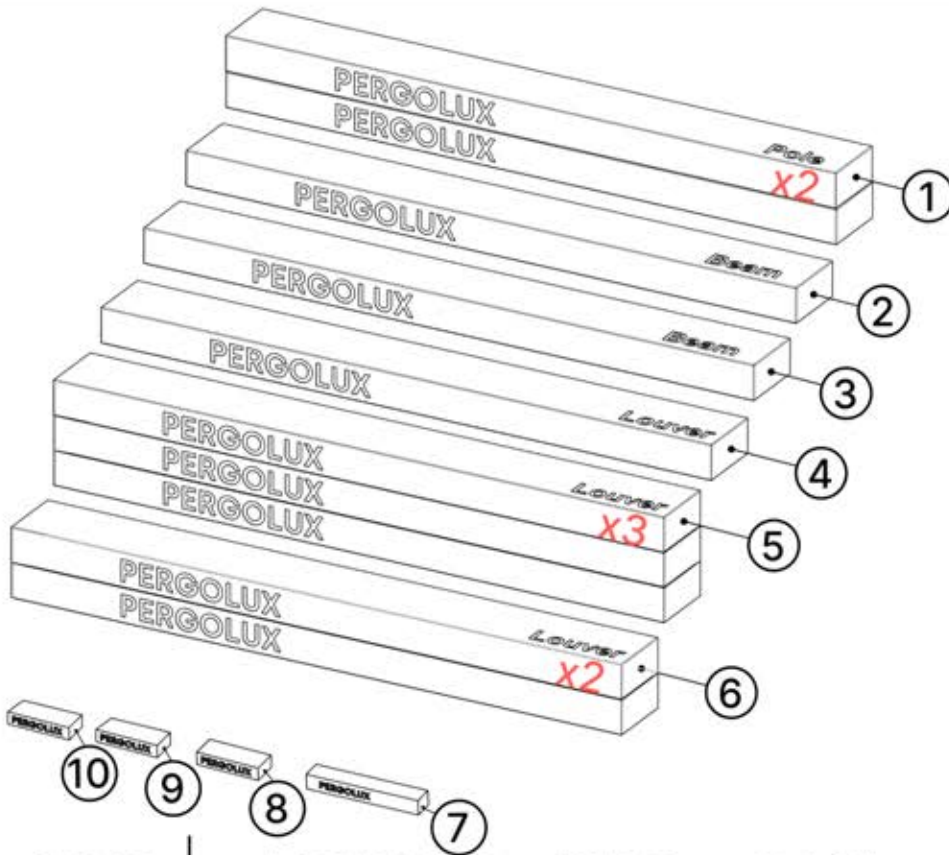


3mm, 4mm, 5mm




TX15, TX20, TX25, TX30

PACKAGE OVERVIEW



ORDER	ANTHRACITE	WHITE	BLACK
①	C126	C127	C128
②	B286	B290	B294
③	B308	B310	B312
④	L264	L268	L266
⑤	L252	L256	L254
⑥	L240	L244	L242
⑦	ELECTRIC MOTOR		
⑧	CONTROL BOX		
⑨	POWER CABLE		
⑩	LED BOX		

ITEMS IN BOX

	ANTHRACITE	WHITE	BLACK
	C126	C127	C128



PN-200002467

4x



PN-200002301

4x



PN-200003584







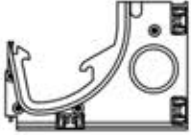




4x




PN-200002299


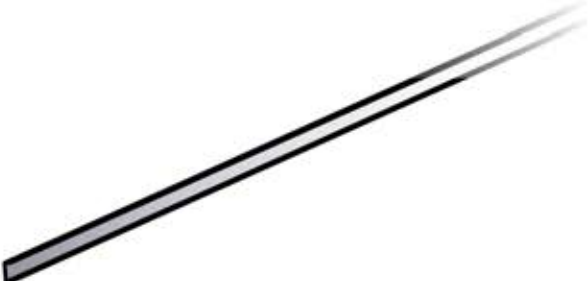



4x

ITEMS IN BOX






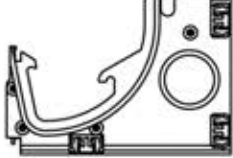



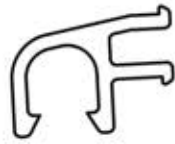
	ANTHRACITE	WHITE	BLACK
	B286	B290	B294
		<p>PN-200003504 1x</p>	
		<p>PN-200003508 1x</p>	
		<p>PN-200002488 2x</p>	
		<p>PN-200002476 1x</p>	
		<p>PN-200002472 1x</p>	

ITEMS IN BOX


	ANTHRACITE	WHITE	BLACK
	2	B286	B290

		PN-200002494 1x
		PN-200002495 1x
		PN-200002491 2x

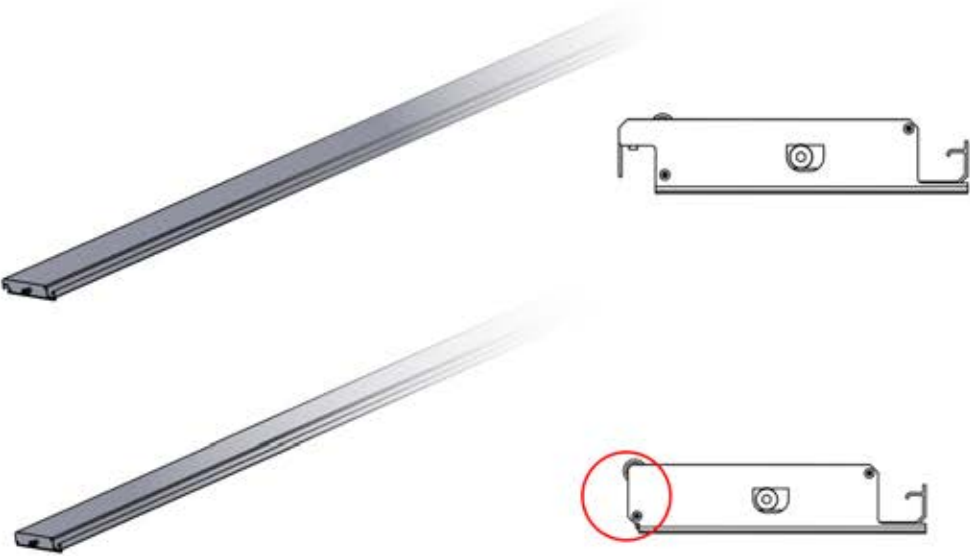
ITEMS IN BOX

	ANTHRACITE	WHITE	BLACK
	B308	B310	B312
			
		<p>PN-200003486</p> <p>2x</p>	
		<p>PN-200002347</p> <p>2x</p>	
		<p>Premounted</p> <p>PN-200002352</p> <p>2x</p>	
		<p>PN-200002323</p> <p>2x</p>	

ITEMS IN BOX




	ANTHRACITE	WHITE	BLACK
4	L264	L268	L266

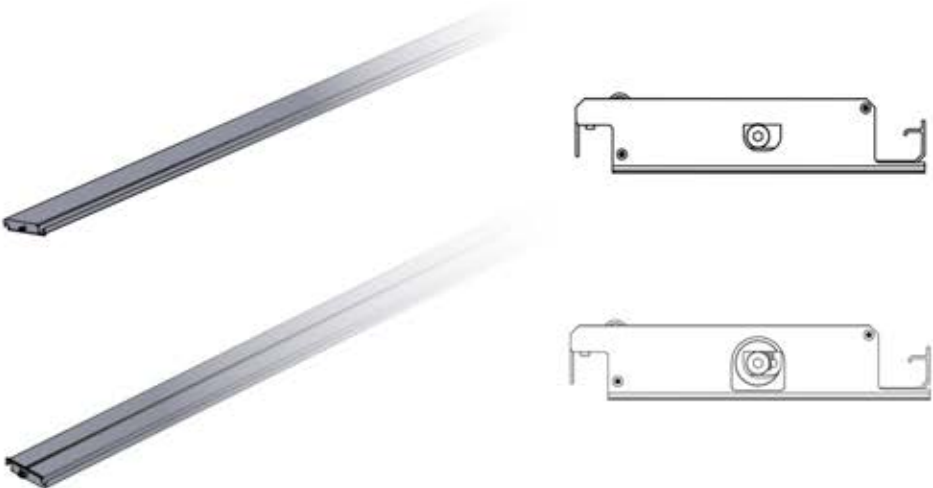


Standard = **(S)**
PN-200002366
4x

End = **(E)**
PN-200002362
1x




	ANTHRACITE	WHITE	BLACK
5	L252	L256	L254



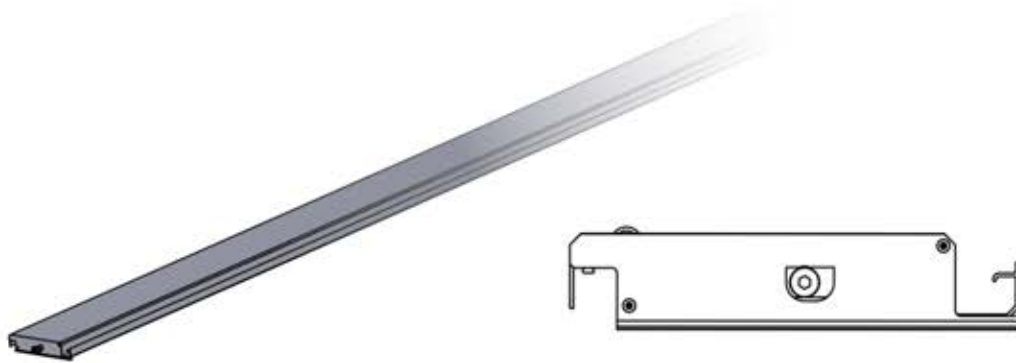
Standard = **(S)**
PN-200002366
2x

LED = **(L)**
PN-200002364
6x

ITEMS IN BOX

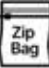

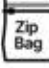



	ANTHRACITE	WHITE	BLACK
6	L240	L244	L242





Standard = (S)
 PN-200002366
8x

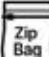

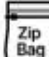
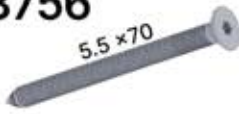
 PN-20000 3278  150mm	PN-200003033 2x		PN-200003031 1x
	PN-200003030 1x	 4.2x12	PN-200001207 2x

 PN-20000 3755 	PN-200000655 8x	 PN-20000 3758 	PN-200002284 4x
--	---------------------------	---	---------------------------

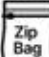





ITEMS IN BOX

	ANTHRACITE	WHITE	BLACK
	6	L240	L244

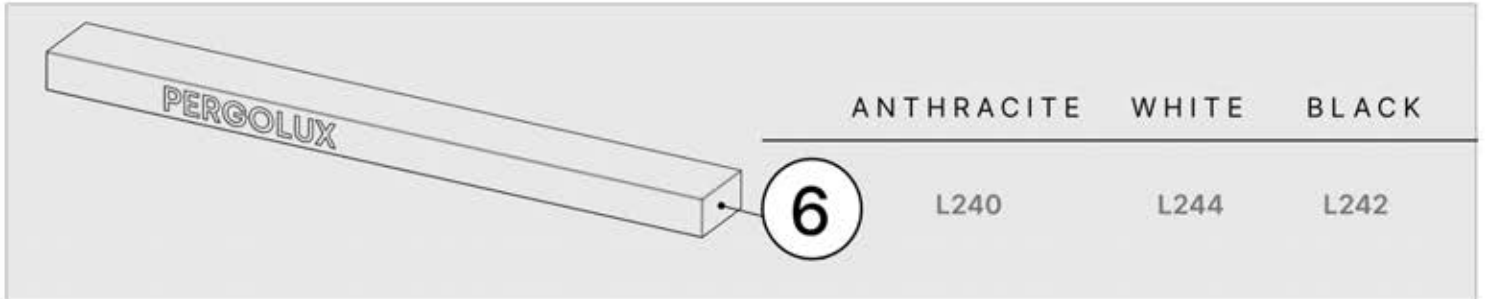
 PN-20000 3757 	PN-200002282 4x		PN-200002298 4x
		PN-200000832 4x	
















 PN-20000 3496 	PN-200002289 4x	 PN-20000 3756 	PN-200000958 4x
--	---------------------------	---	---------------------------

 PN-20000 3750 	PN-200003051 8x		PN-200003050 8x
		PN-200003049 8x	

 PN-20000 3759 	PN-200002291 4x	 PN-20000 3497 	PN-200002329 4x
	PN-200002318 12x		PN-200000852 8x

ITEMS IN BOX



 PN-20000 3751		PN-200002355 1x		PN-200002333 1x
		PN-200002328 2x		PN-200002327 1x
		PN-200003500 1x		PN-200002324 1x
		PN-200002321 1x		PN-200002330 1x
		PN-200002325 1x		PN-200002340 1x
		PN-200002341 3x		PN-200000832 4x
		PN-200002326 1x		PN-200002134 2x

ITEMS IN BOX



ANTHRACITE WHITE BLACK

6

L240

L244

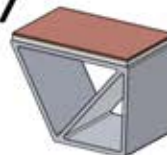
L242

Zip Bag
PN-20000
3495



PN-200002311
40x

Zip Bag
PN-20000
3767



PN-200002286
8x

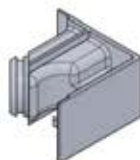
Zip Bag
PN-20000
3768



PN-200002911
4x



PN-200002297
4x



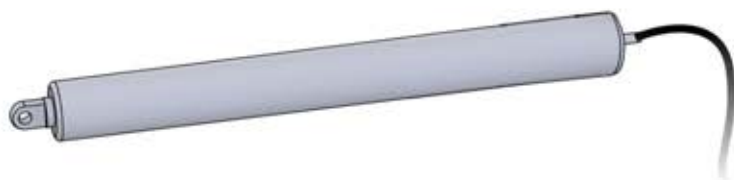
PN-200002303
4x

ITEMS IN BOX



7

ELECTRIC MOTOR



Electric motor
PN-200001562
1x



PN-200003773

1x



PN-200001624

1x



PN-200001625

2x

ITEMS IN BOX



8

CONTROL BOX



Control box

1x



Matter antenna clip

1x



PN-200002684

10x



PN-200002683

5x



QR-code

1x



3M tape

1x



PN-200002756

1x



PN-200002754

1x



PN-200002758

1x



PN-200002753

2x



PN-200002759

2x



PN-200002757

1x

ITEMS IN BOX



9

POWER CABLE



PN-200003781

1x



10

LED BOX

Zip Bag
PN-20000
3829



LED STRIP

6x



6 LED HARNESS

1x



All electric parts should be tested before installation.

LEDs + Motor (and heater) should be connected to the Control box and programmed to ensure functionality.

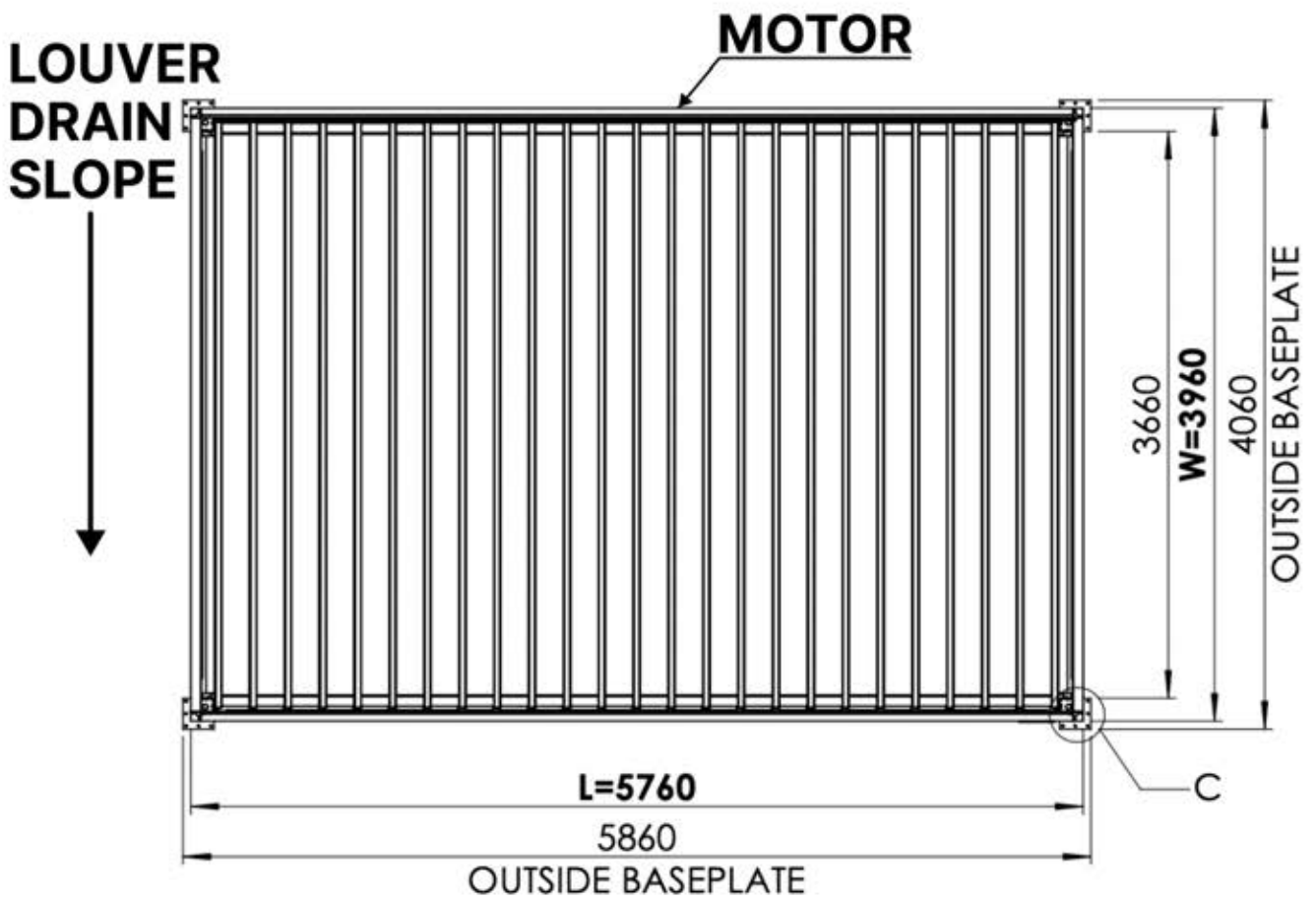
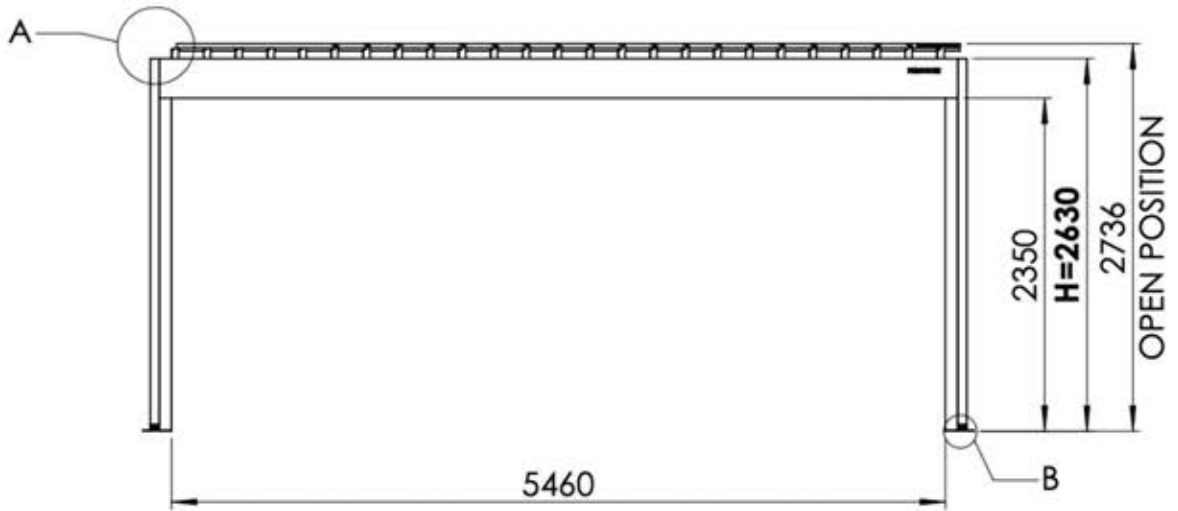
Matter + Smart home can be connected at anytime by simply scanning the QR code provided



CONTROL BOX

[View Manual](#)

4 × 6 m



INFORMATION

Are you installing a screen, slat wall or glass wall?

It is recommended to remove these Snapfit covers and clips now before installing the pergola.

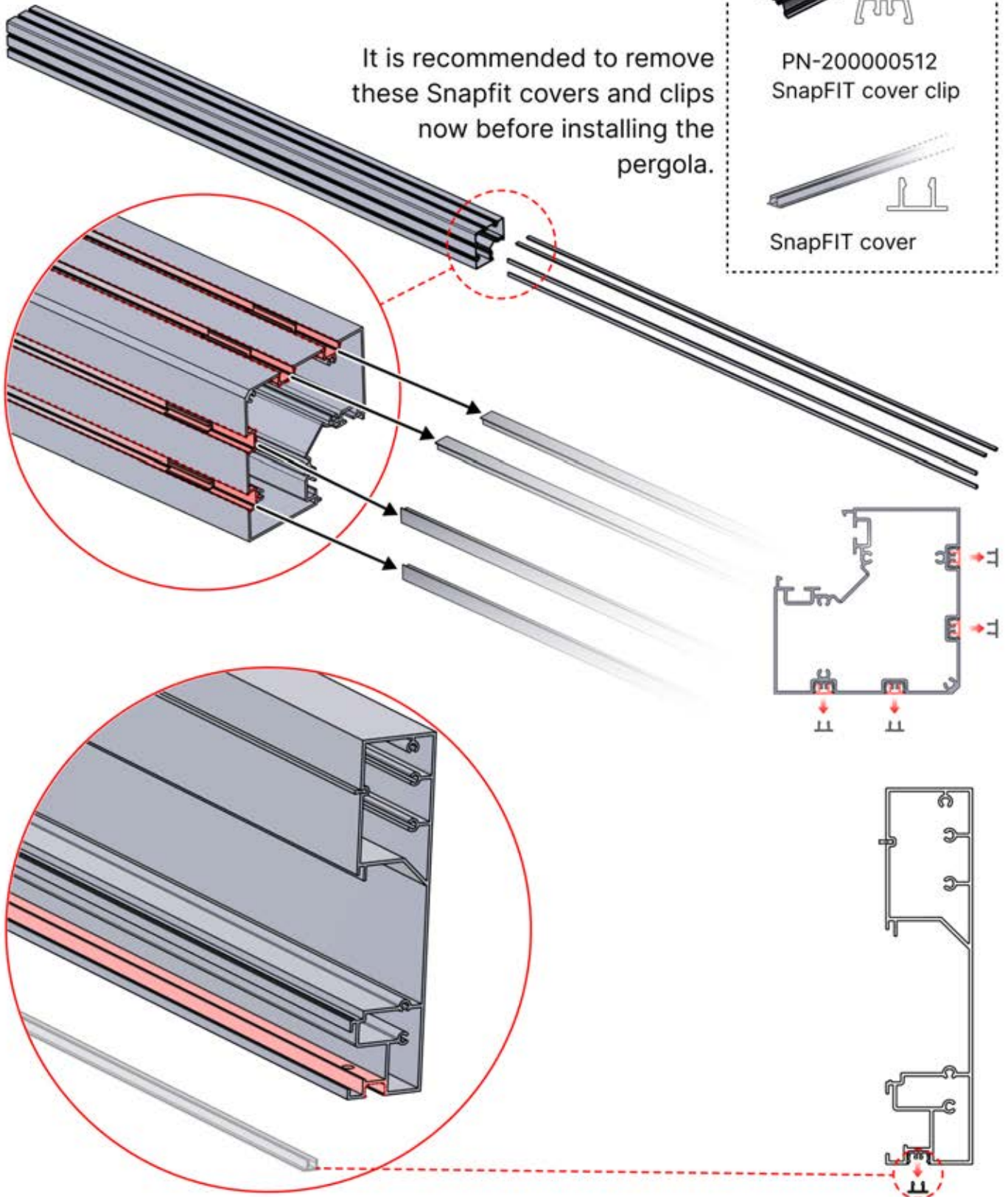
Cover and clips



PN-200000512
SnapFIT cover clip



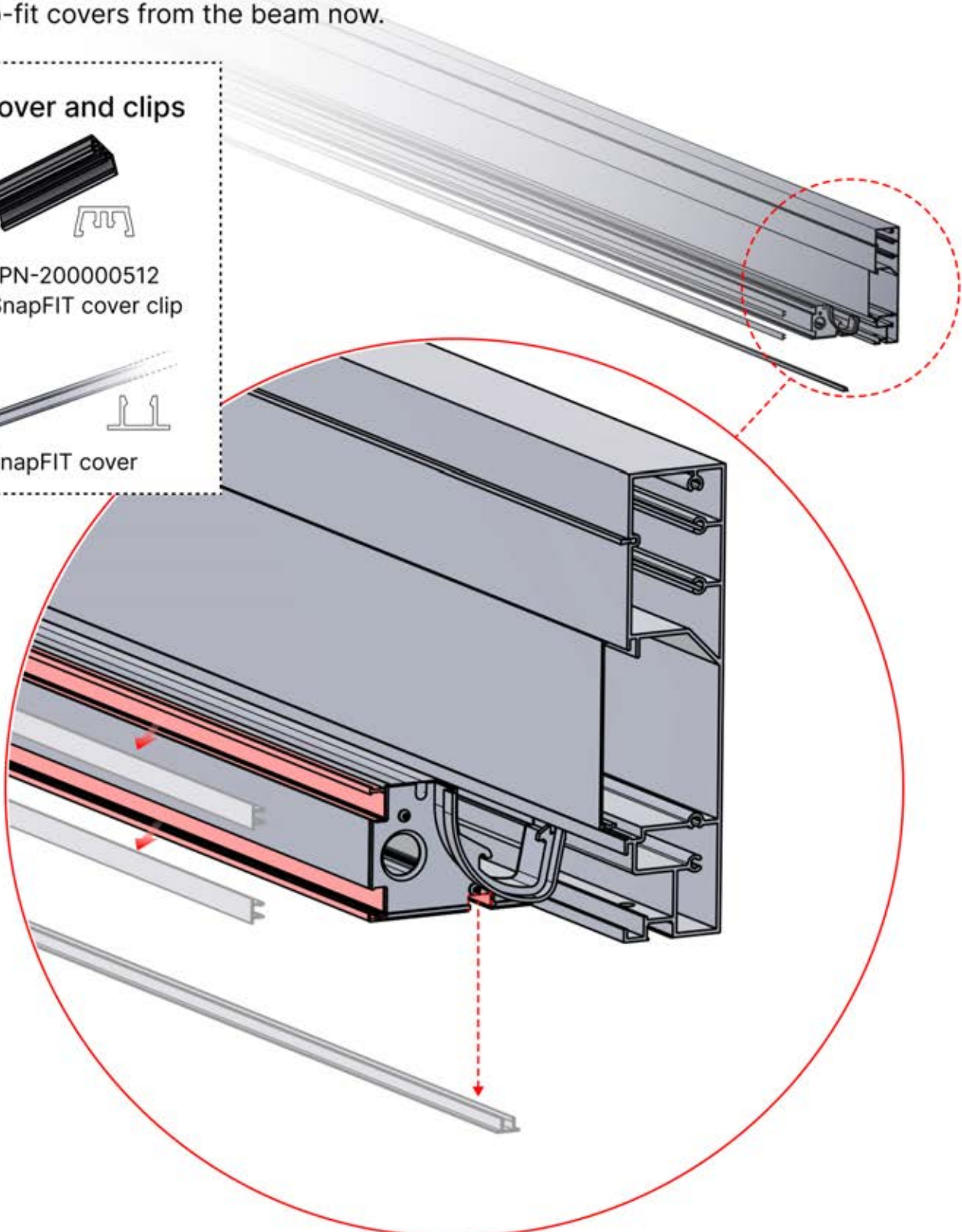
SnapFIT cover



INFORMATION

Are you installing a heater or fan ?

It is recommended to remove both snap-fit covers from the beam now.



INFORMATION

x7
PERGOLUX

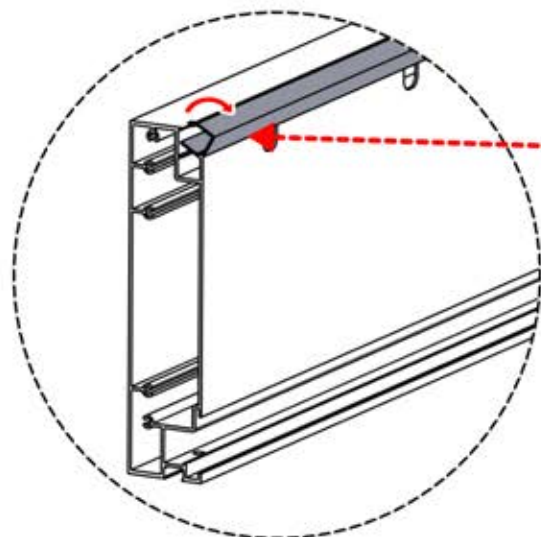
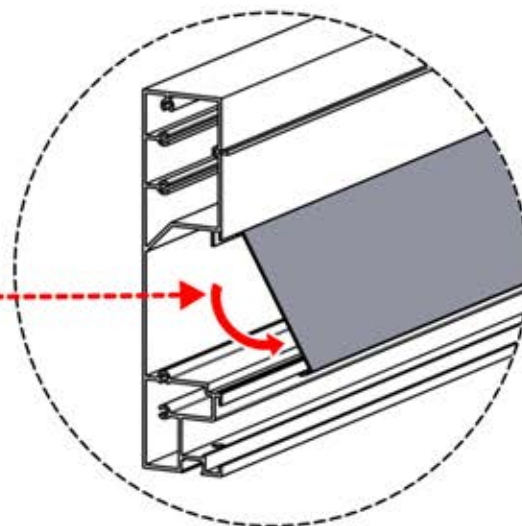
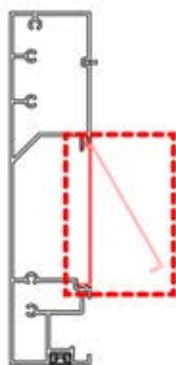
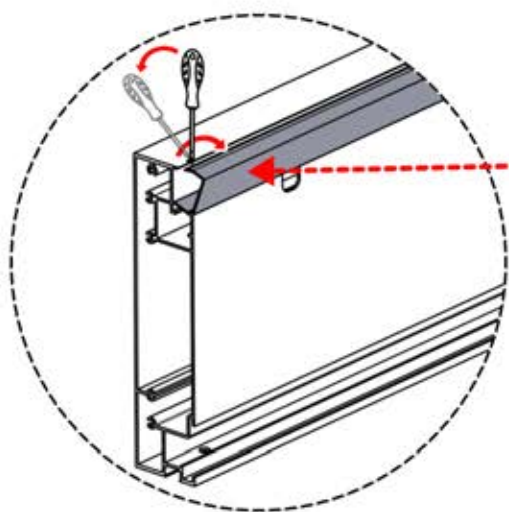
2

ANTHRACITE: B286
WHITE: B290
BLACK: B294



PN-200003508
1x

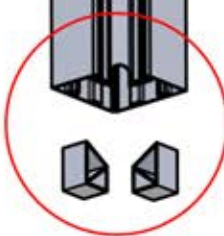
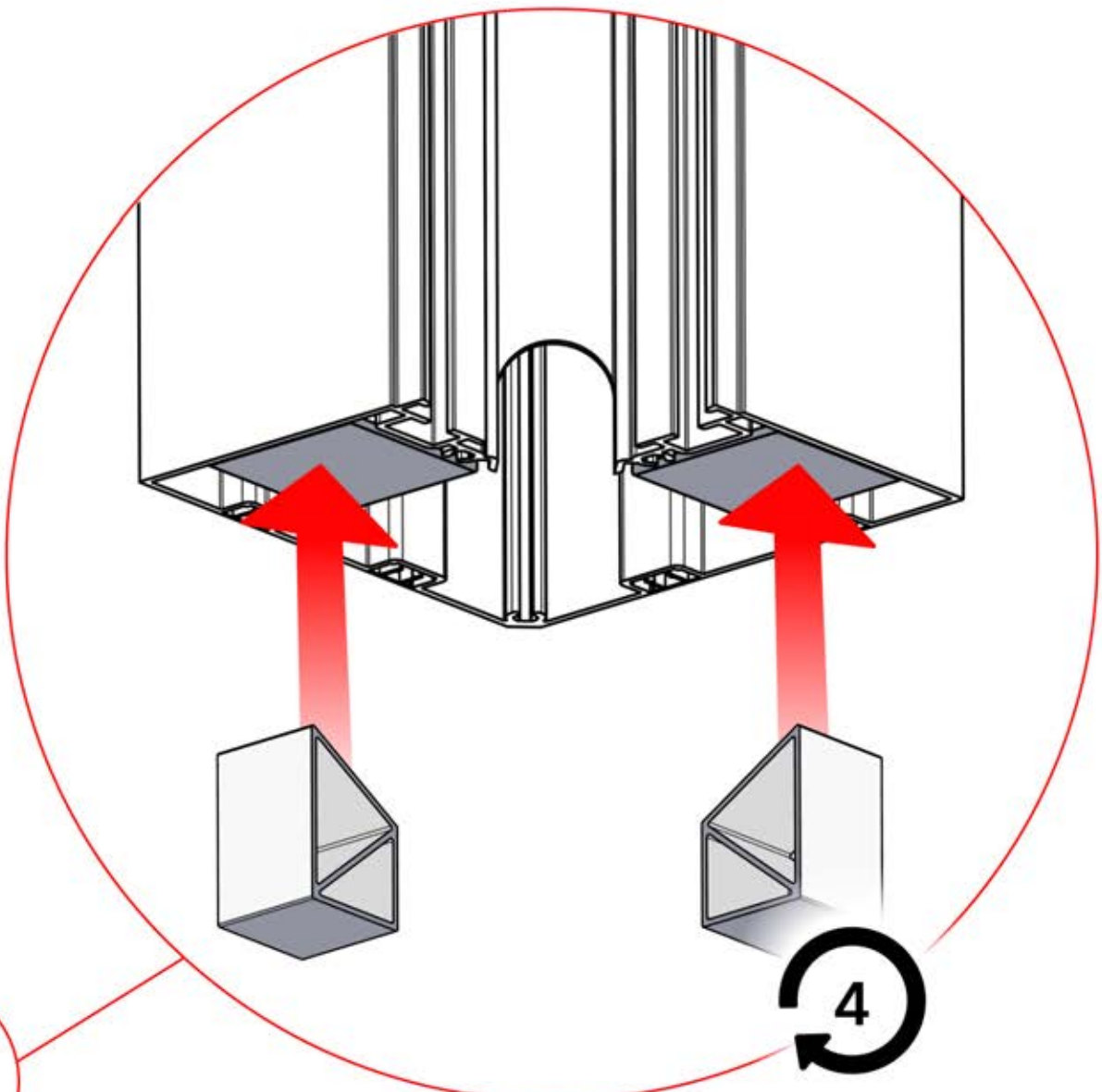
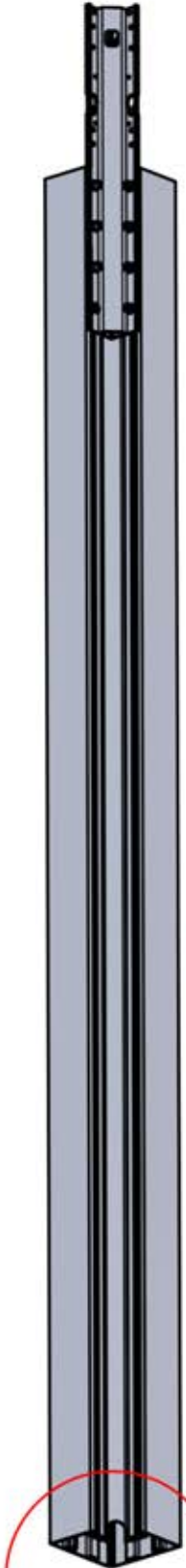
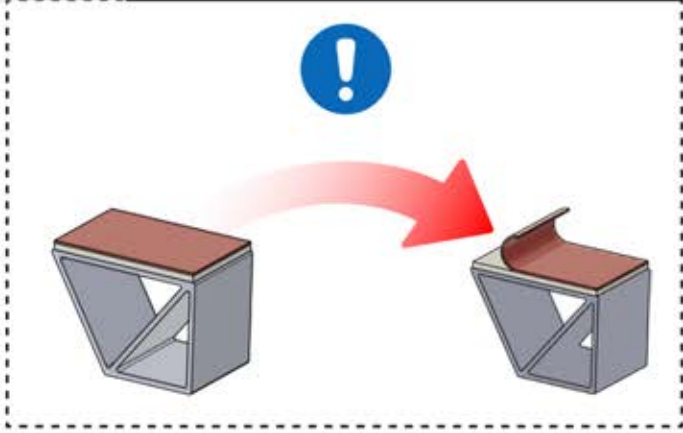
PN-200003486
2x

PN-200003504
1x



01

	6		PN-200002286
ANTHRACITE:	L240		8x
WHITE:	L244		
BLACK:	L242		



02

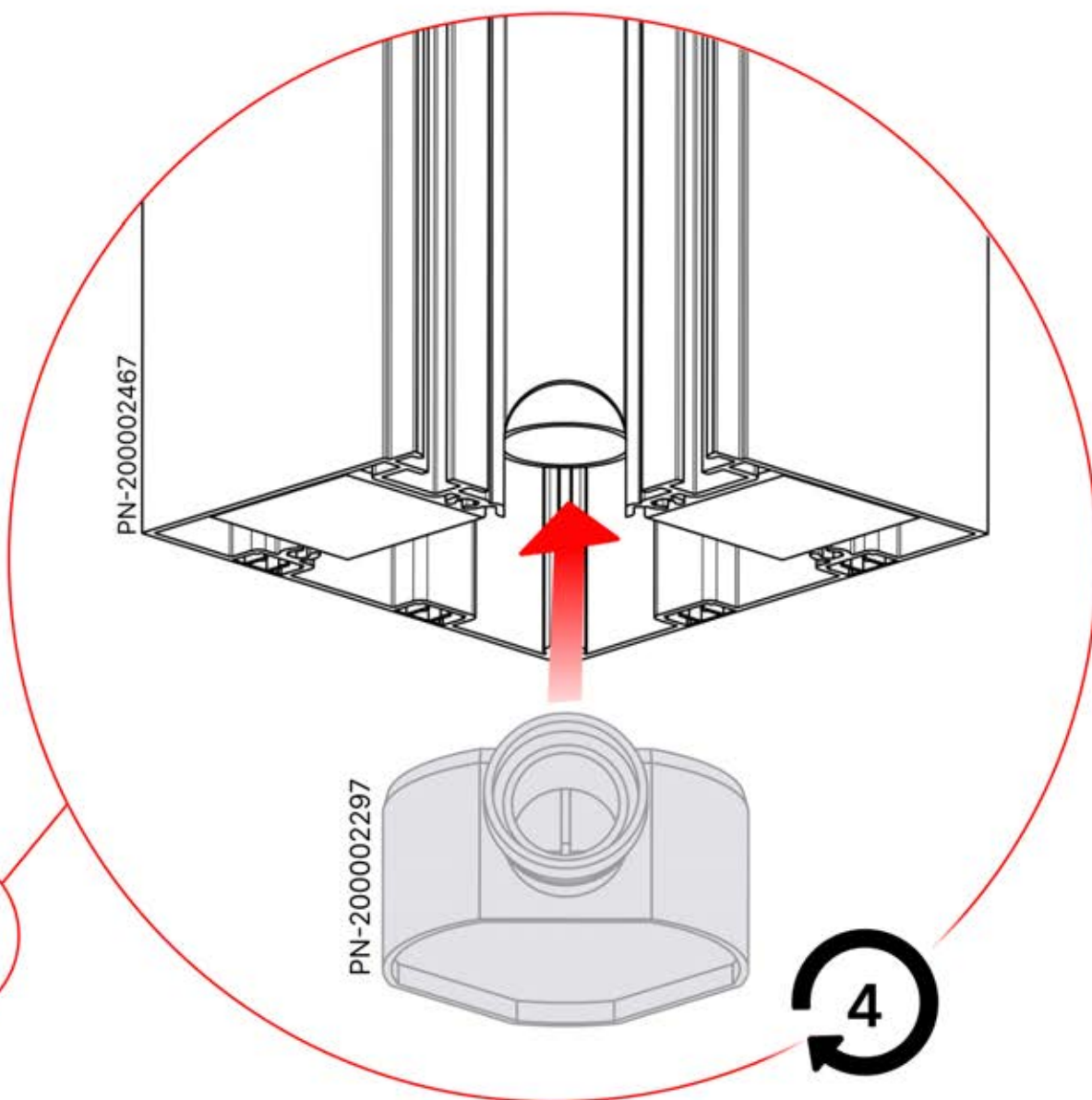
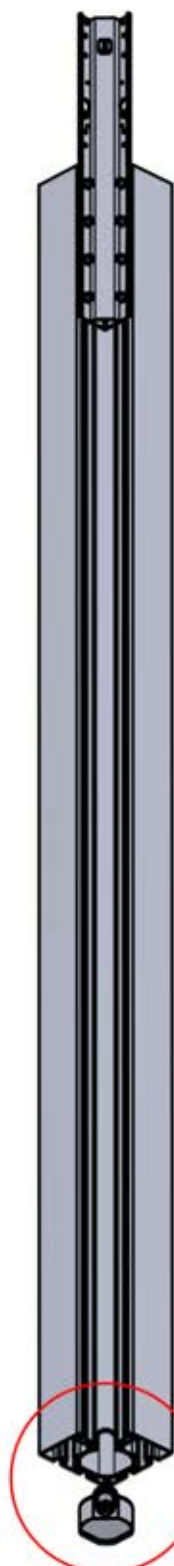
x2
PERGOLUX
PERGOLUX

1

ANTHRACITE: C126
WHITE: C127
BLACK: C128

PN-200002467
4x

PN-200002297
4x



03

x2
PERGOLUX
PERGOLUX


1

ANTHRACITE: C126
WHITE: C127
BLACK: C128


x7
PERGOLUX

6

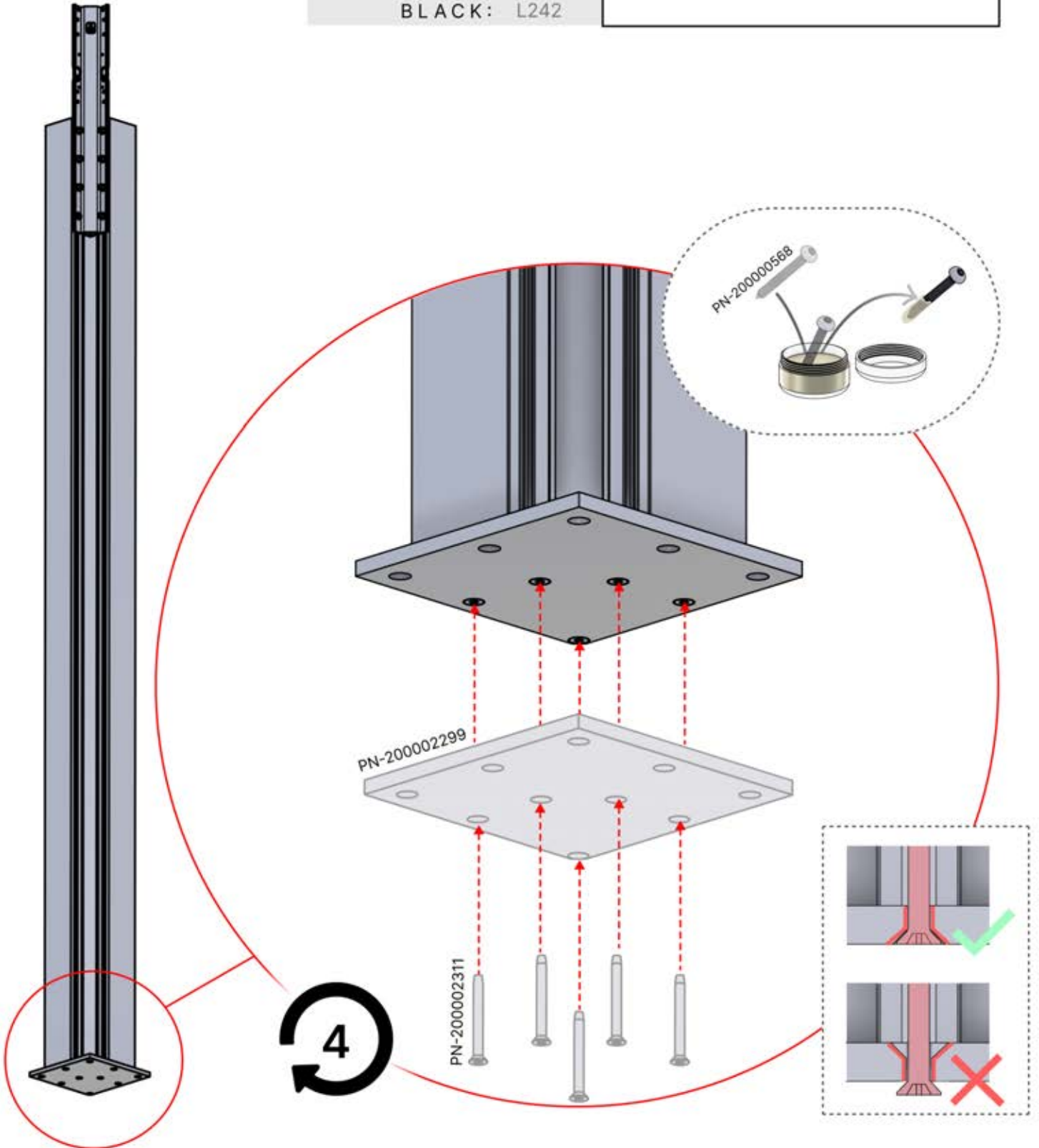
ANTHRACITE: L240
WHITE: L244
BLACK: L242



PN-200002299
4x



PN-200002311
20x



04

3

x1
PERGOLUX

ANTHRACITE: B308
WHITE: B310
BLACK: B312

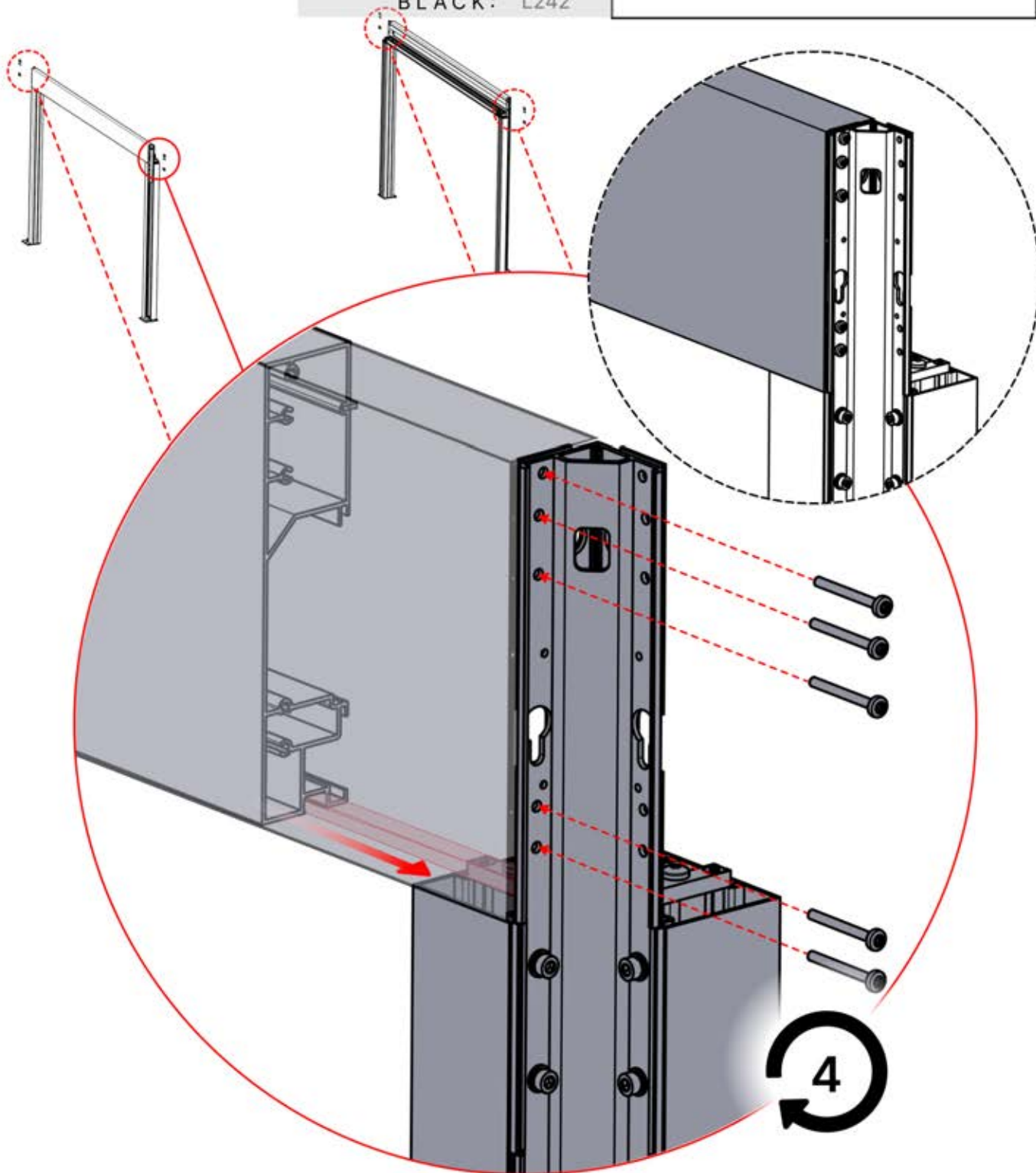
6

x1
PERGOLUX






ANTHRACITE: L240
WHITE: L244
BLACK: L242

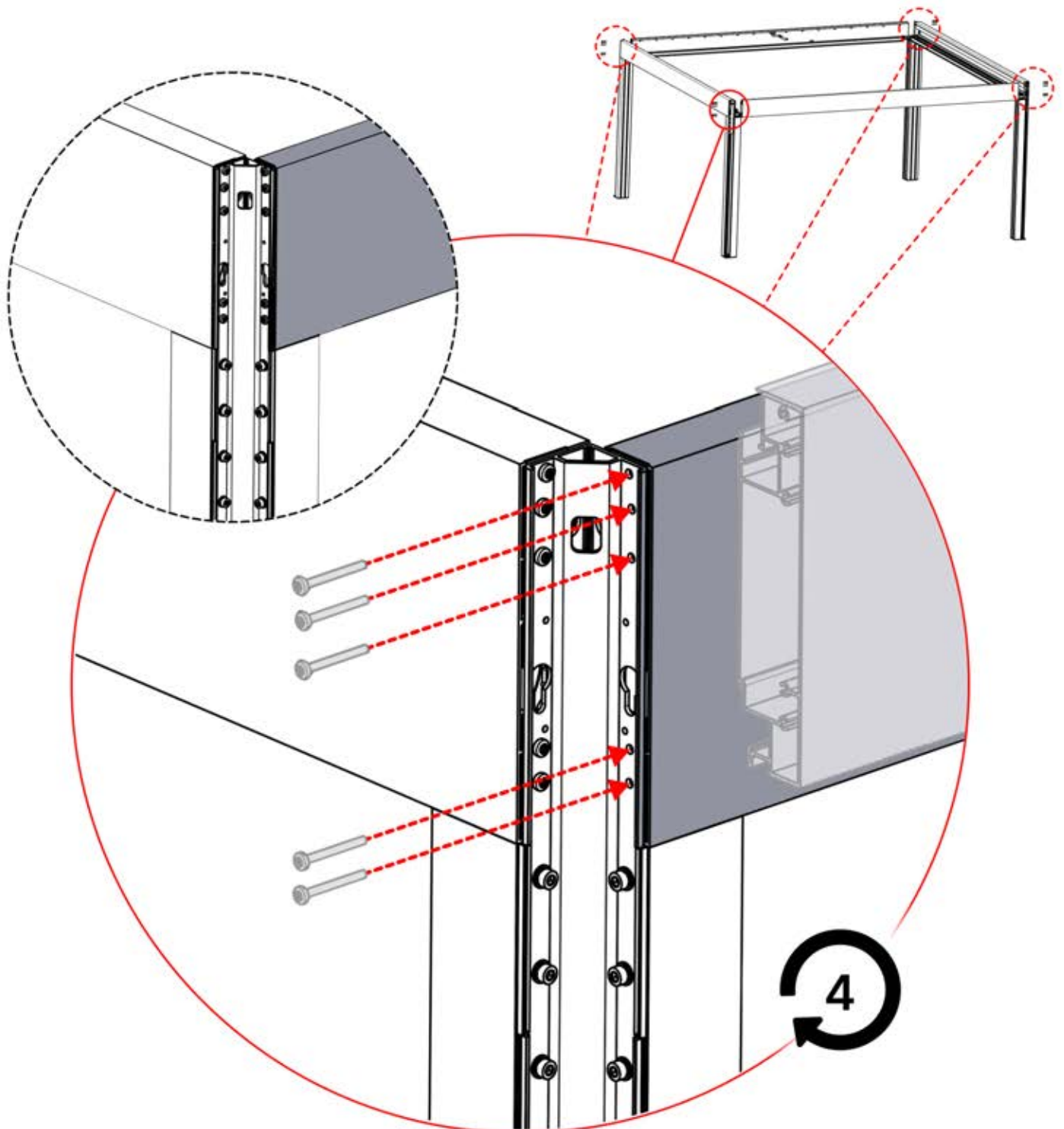
PN-200003486
2x

PN-200002311
20x



05

 x1 PERGOLUX	2	 PN-200003504 1x
ANTHRACITE: B286 WHITE: B290 BLACK: B294		 PN-200003508 1x
 x1 PERGOLUX	6	 PN-200002311 20x
ANTHRACITE: L240 WHITE: L244 BLACK: L242		



06



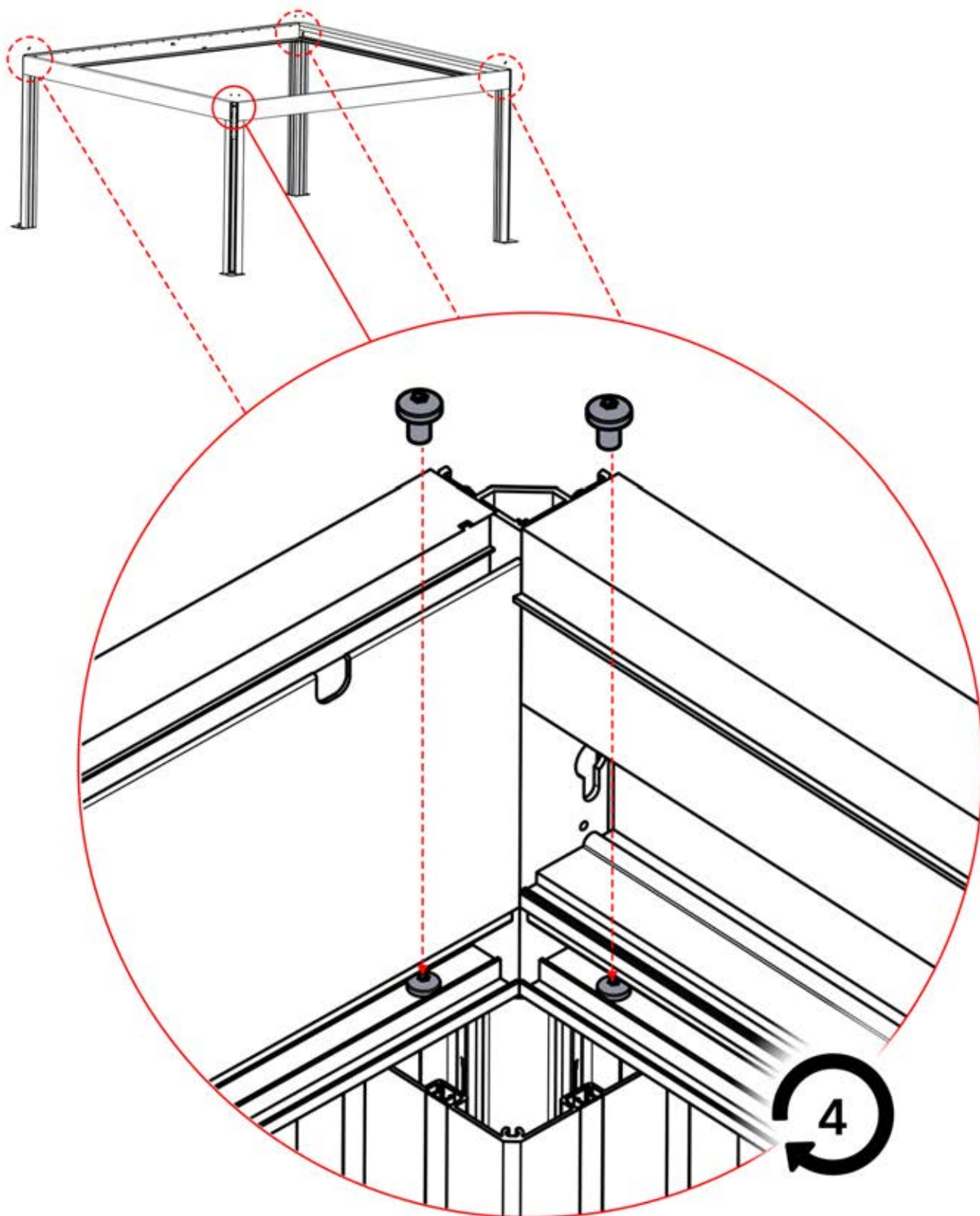
6

ANTHRACITE: L240
WHITE: L244
BLACK: L242



PN-20000655

8x



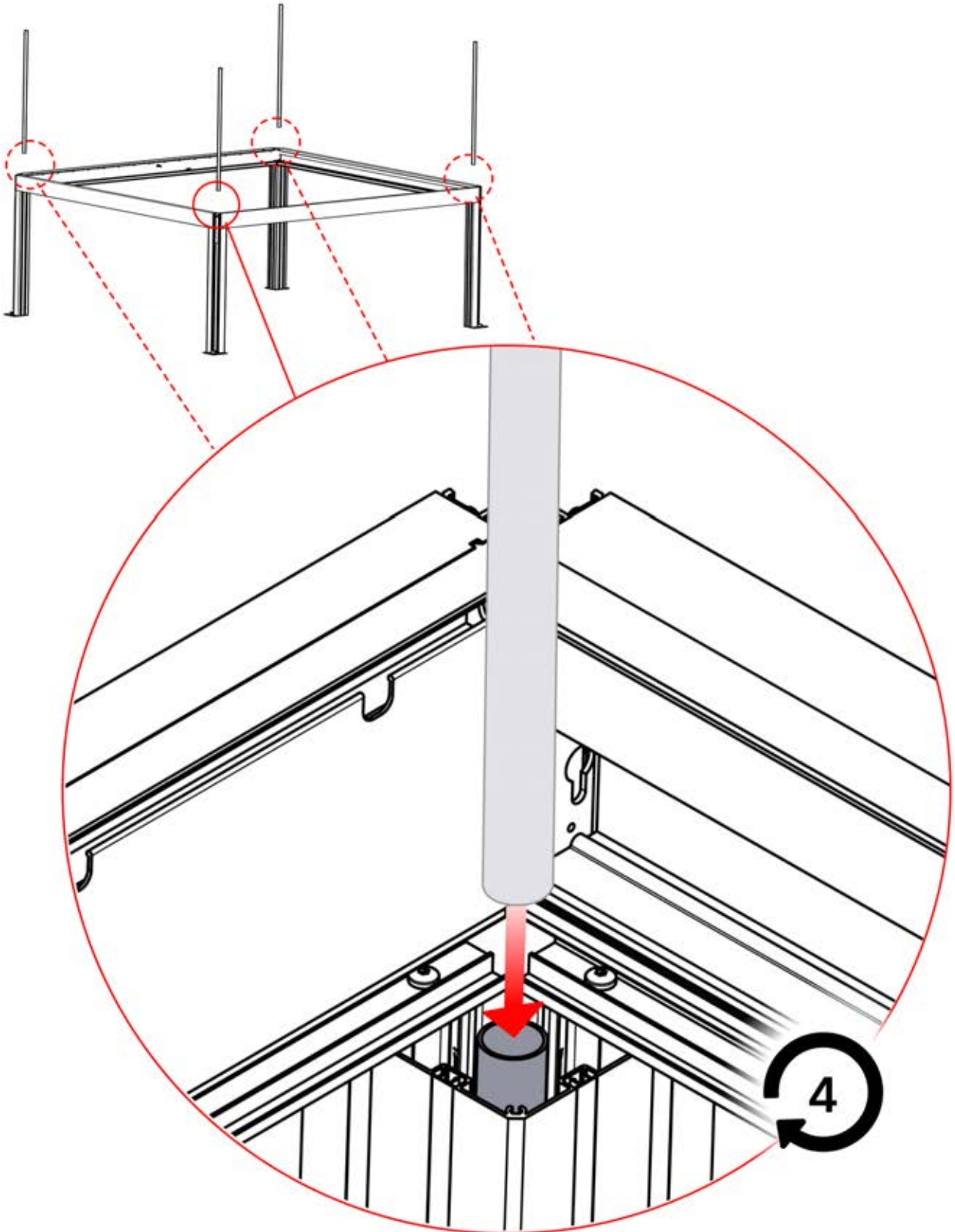

07

x2
PERGOLUX
PERGOLUX

1

ANTHRACITE: C126
WHITE: C127
BLACK: C128

PN-200003584
4x



08

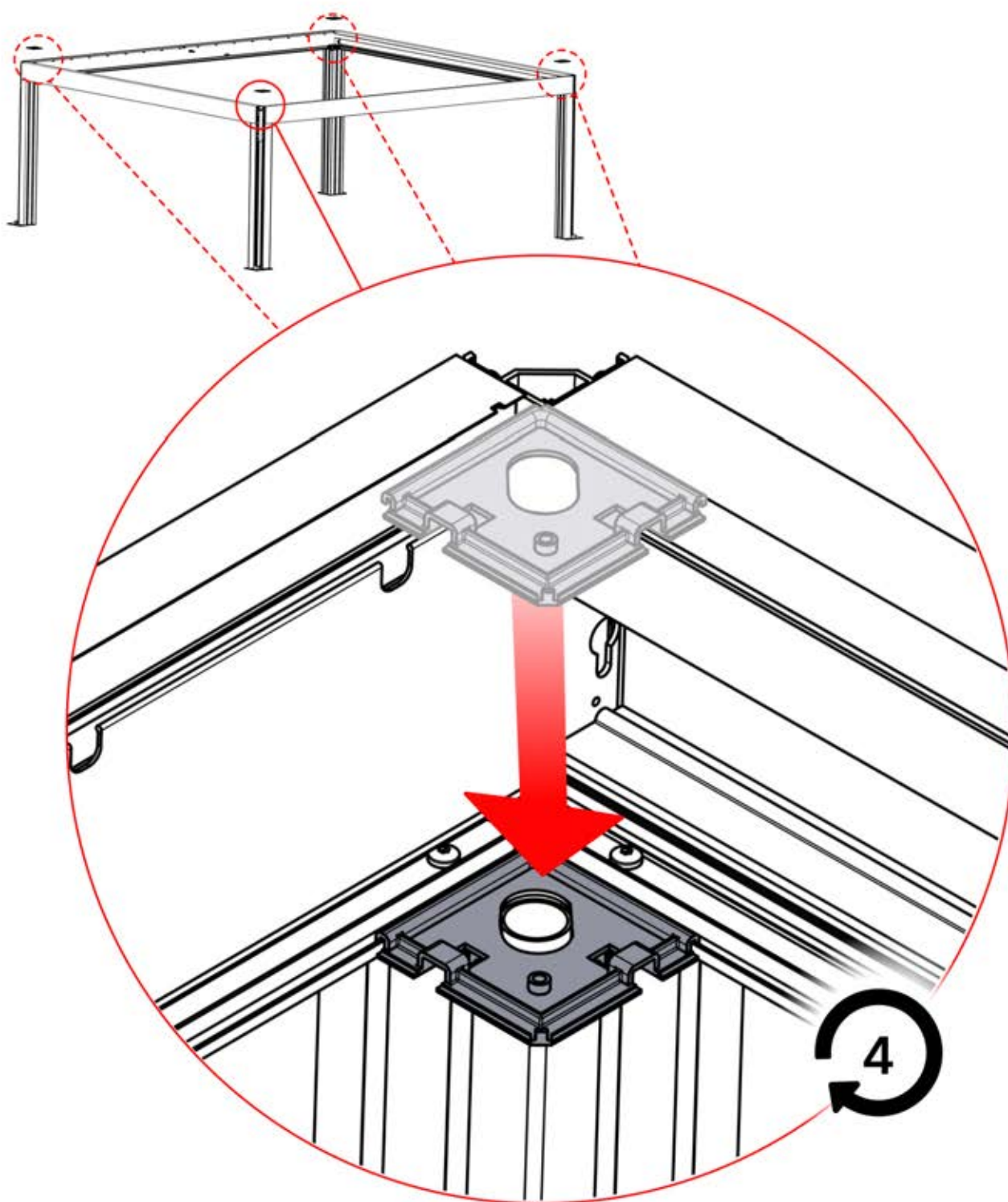
x1
PERGOLUX

6

ANTHRACITE: L240
WHITE: L244
BLACK: L242



PN-200002284
4x



09



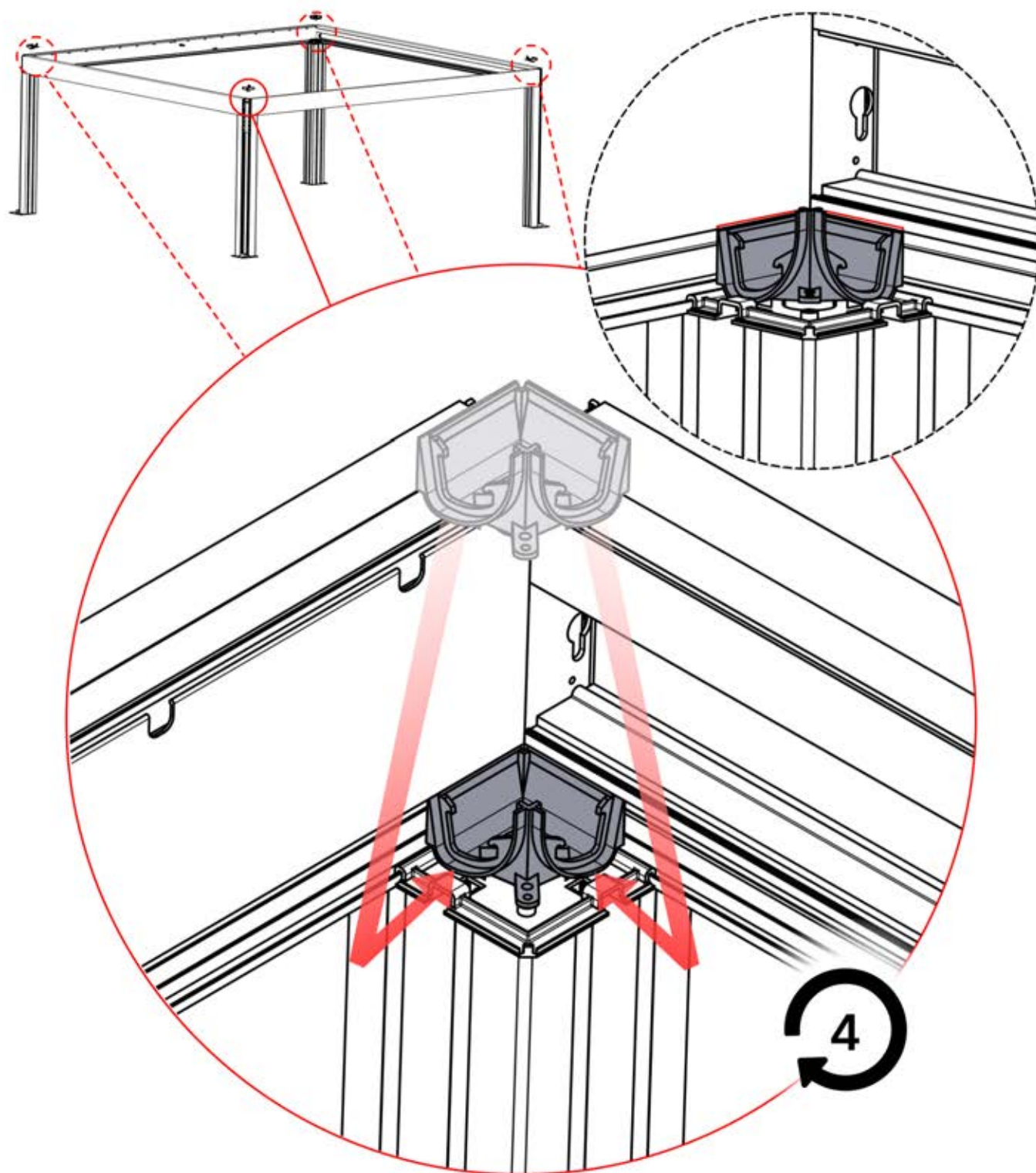
6

ANTHRACITE: L240
WHITE: L244
BLACK: L242



PN-200002298

4x



10



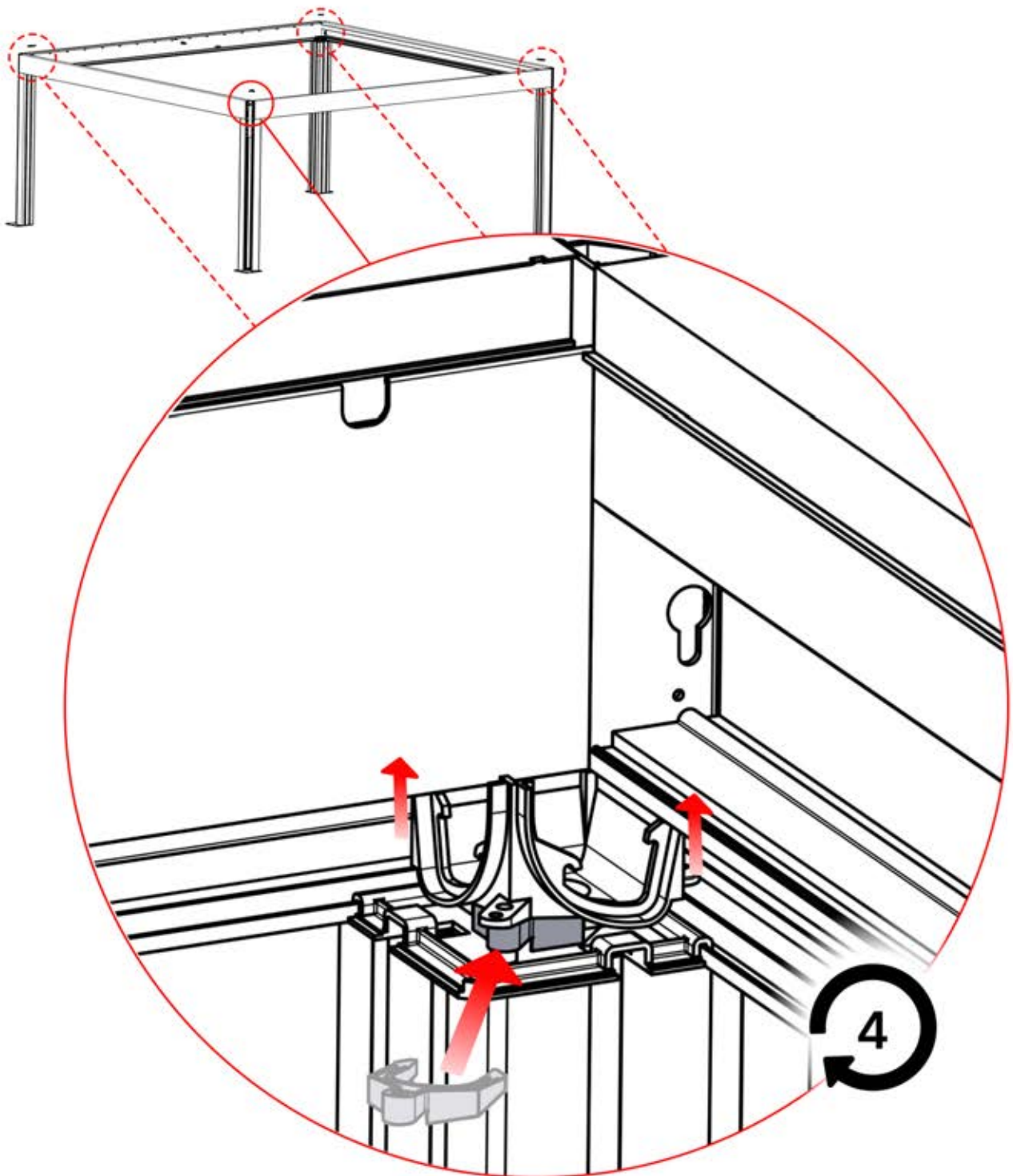
6

ANTHRACITE: L240
WHITE: L244
BLACK: L242



PN-200002282

4x



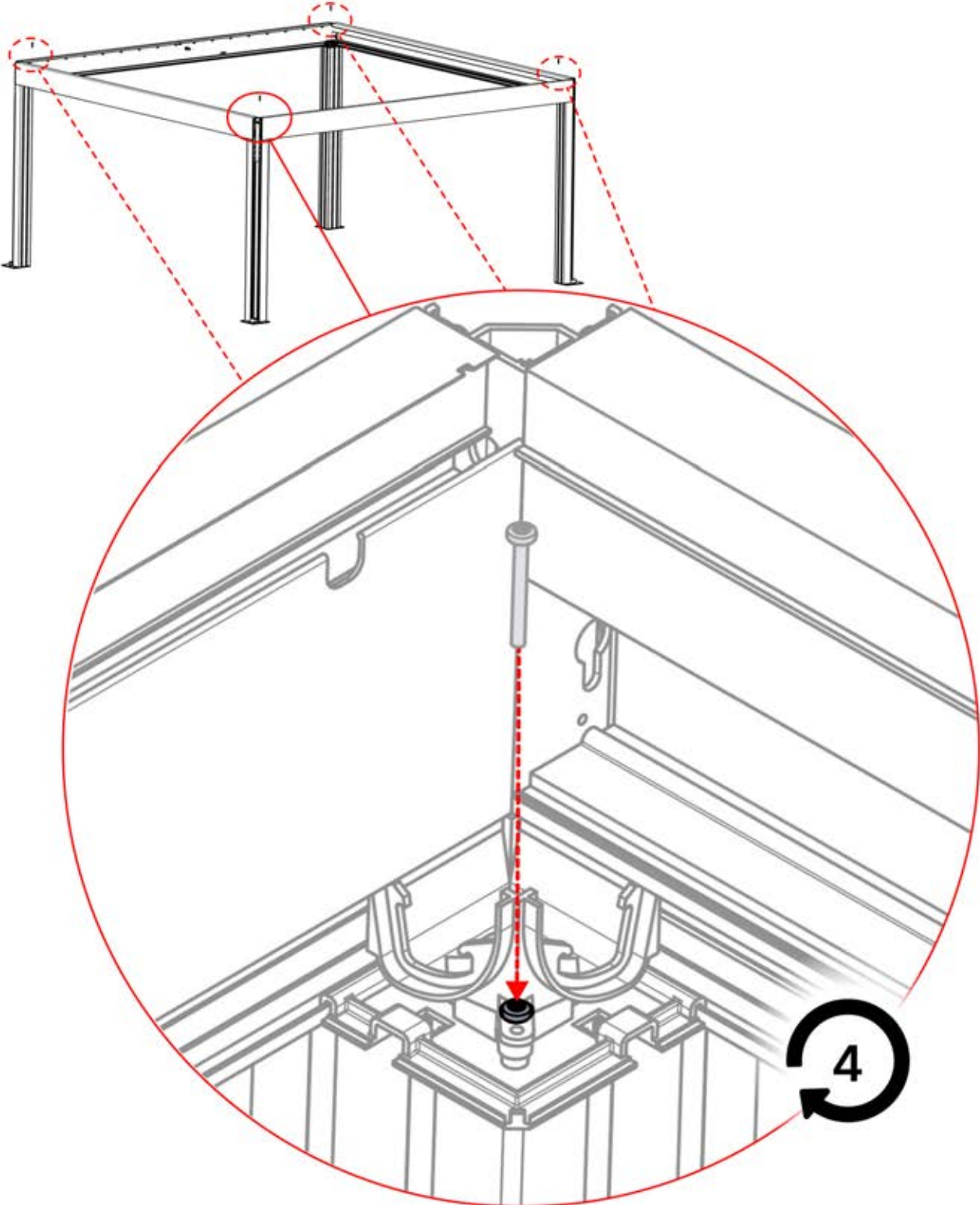

11

x1
PERGOLUX

6

ANTHRACITE: L240
WHITE: L244
BLACK: L242

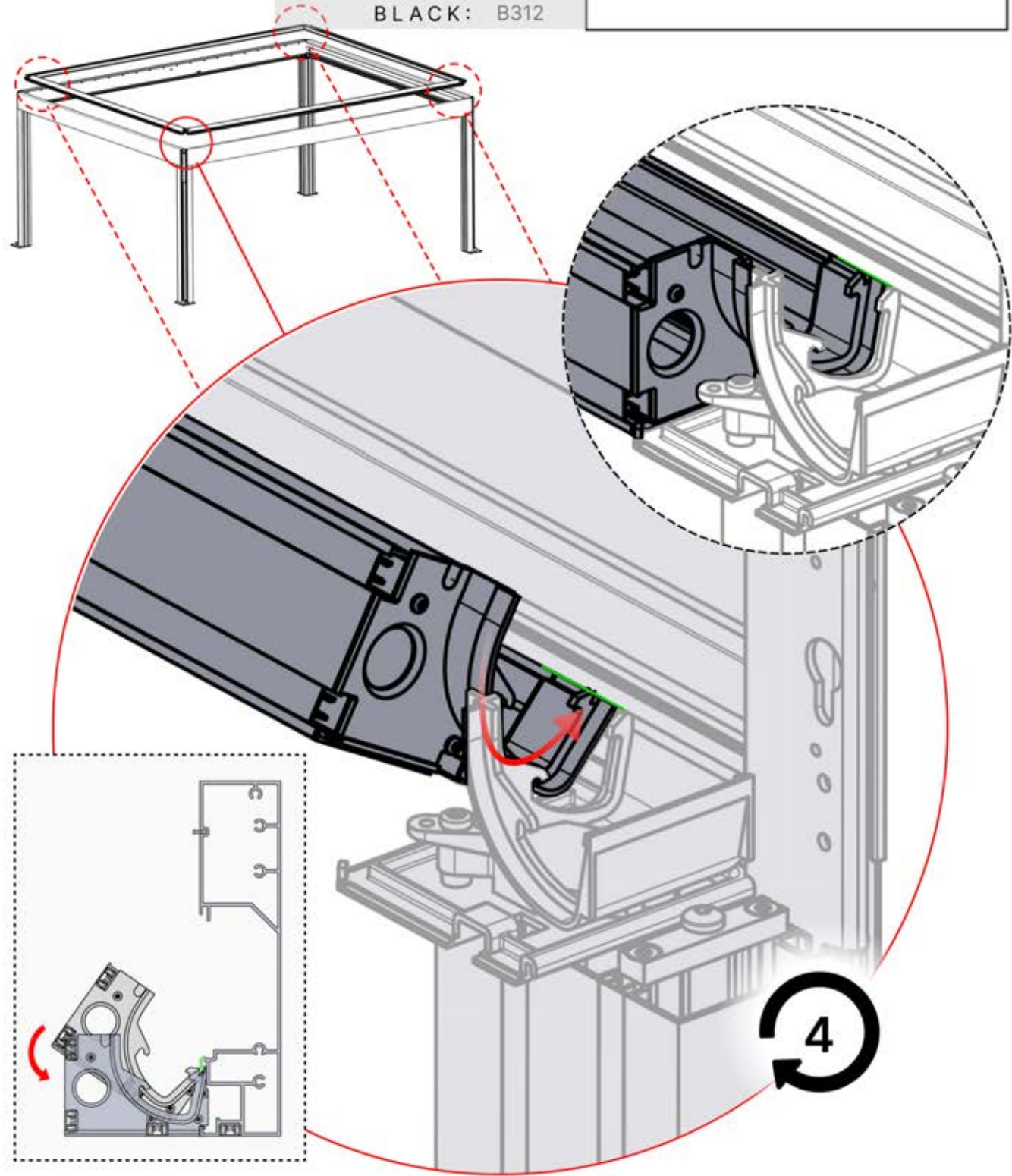
PN-200002311
4x



12

- 2**
x1 PERGOLUX
ANTHRACITE: B286
WHITE: B290
BLACK: B294
- 3**
x1 PERGOLUX
ANTHRACITE: B308
WHITE: B310
BLACK: B312

- PN-200002488
4x
- PN-200002347
4x



13

3

x1
PERGOLUX

ANTHRACITE: B308
WHITE: B310
BLACK: B312

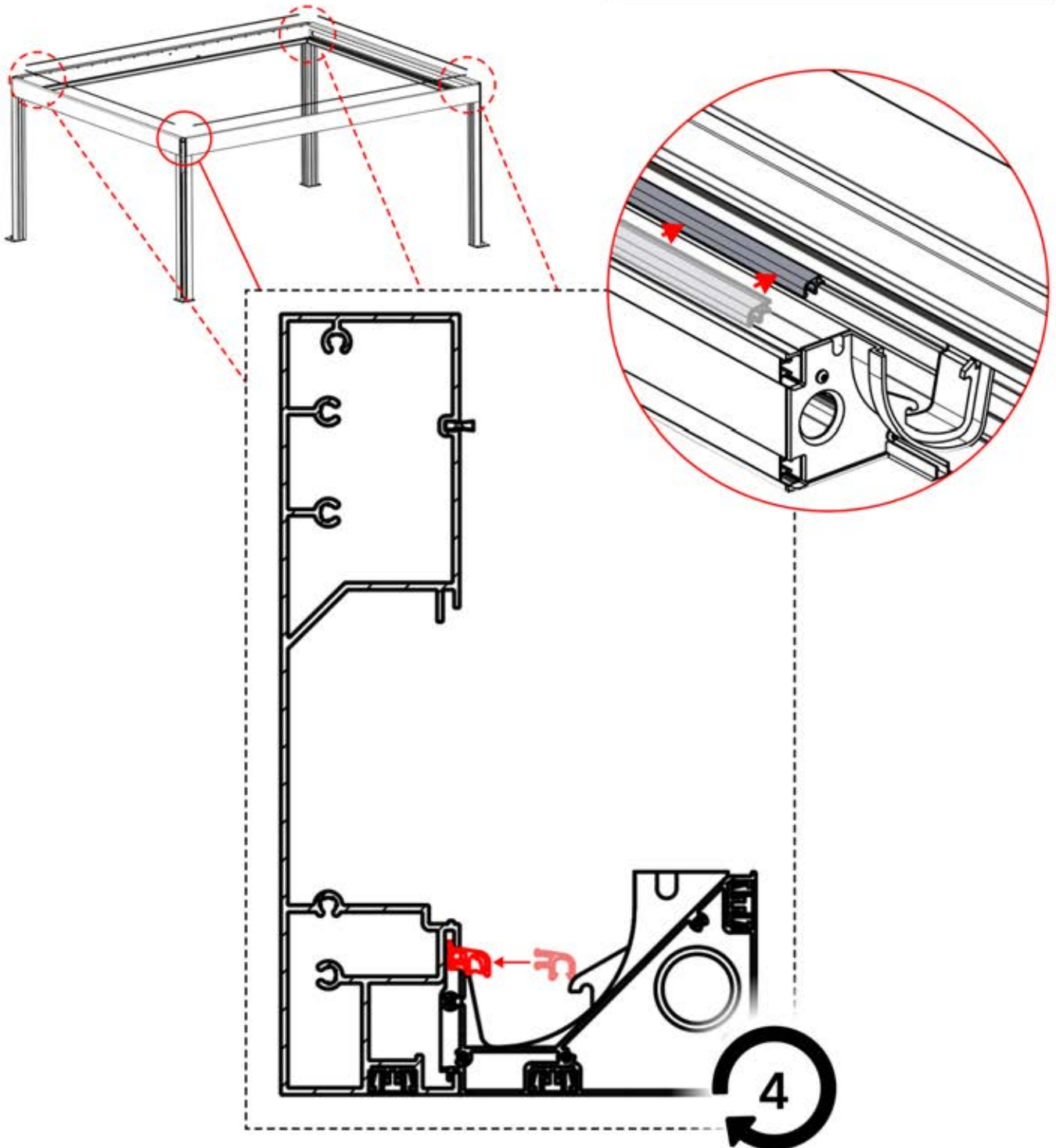
2

x1
PERGOLUX

ANTHRACITE: B286
WHITE: B290
BLACK: B294

PN-200002323
2x

PN-200002491
2x



INFORMATION



Apply grease to part



6

ANTHRACITE: L240
WHITE: L244
BLACK: L242



PN-200003051

8x



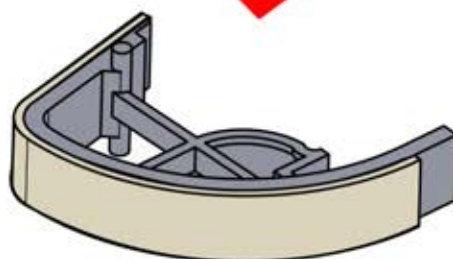
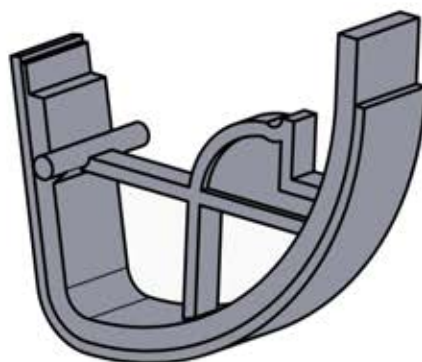
PN-200003049

8x



PN-200003050

8x



14



6

ANTHRACITE: L240
WHITE: L244
BLACK: L242



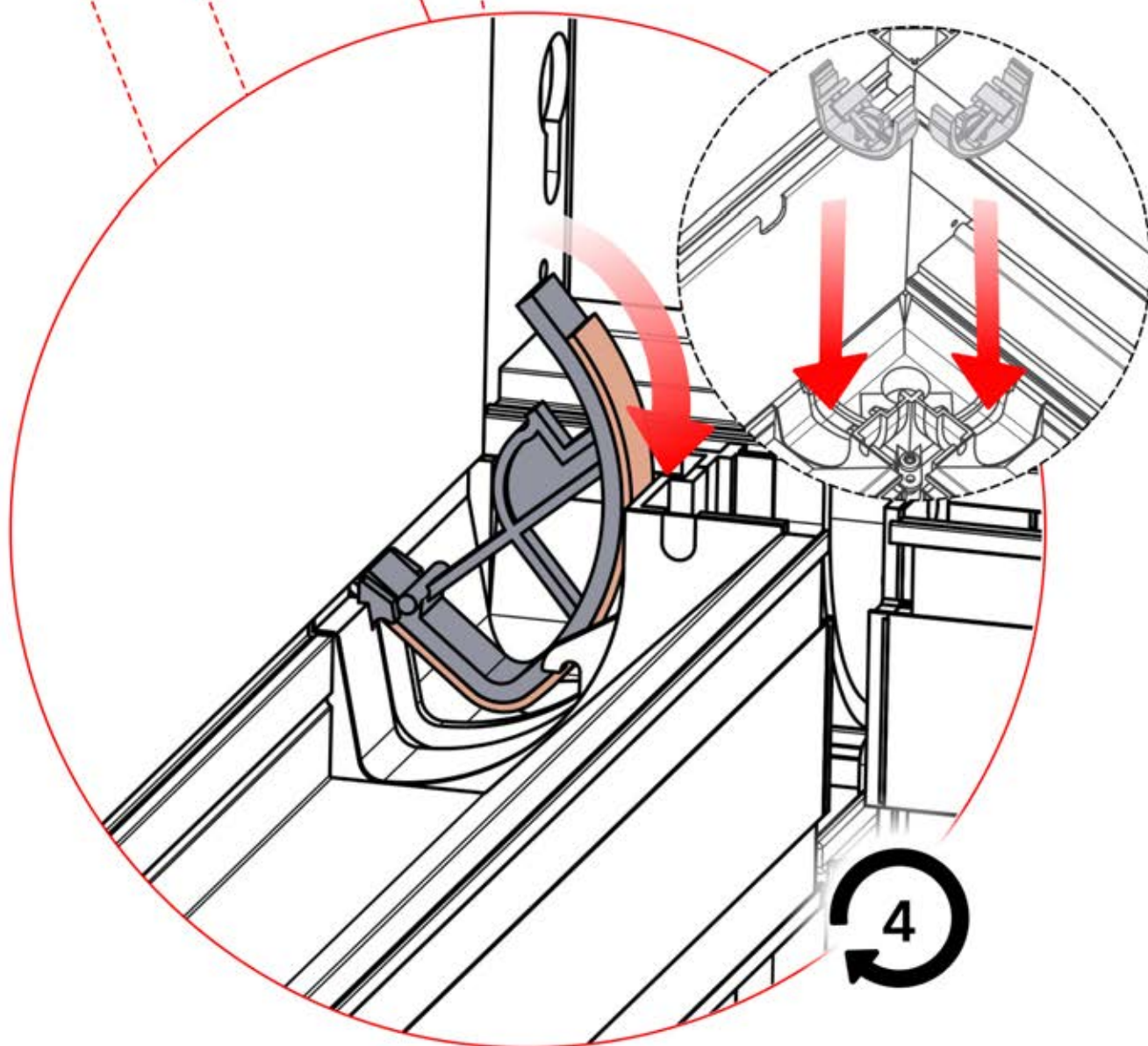
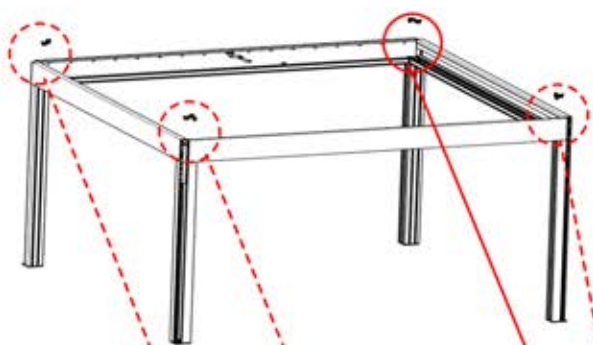
PN-200003051
8x



PN-200003049
8x



PN-200003050
8x



15



6

ANTHRACITE: L240
WHITE: L244
BLACK: L242



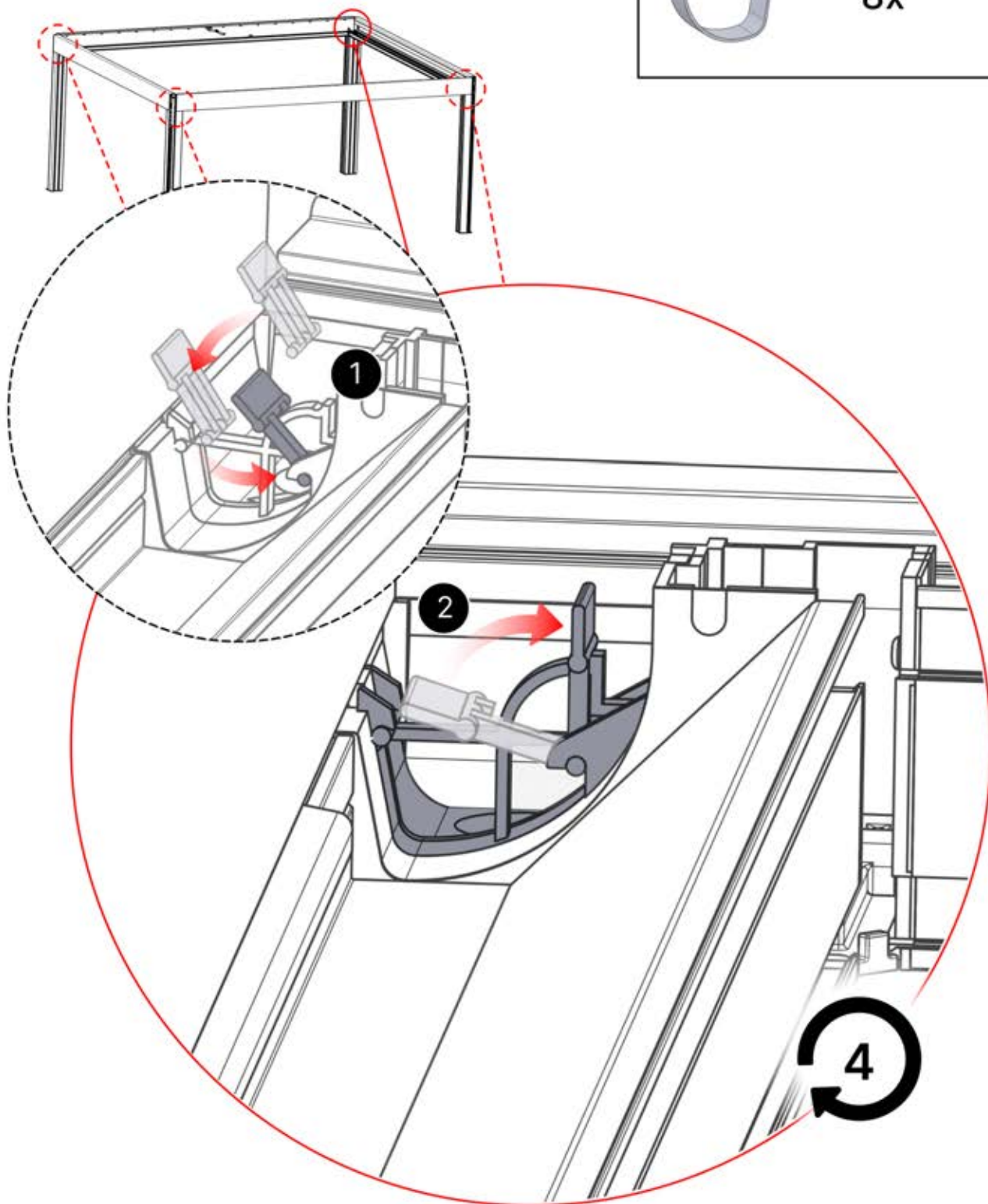
PN-200003051
8x



PN-200003049
8x



PN-200003050
8x





16

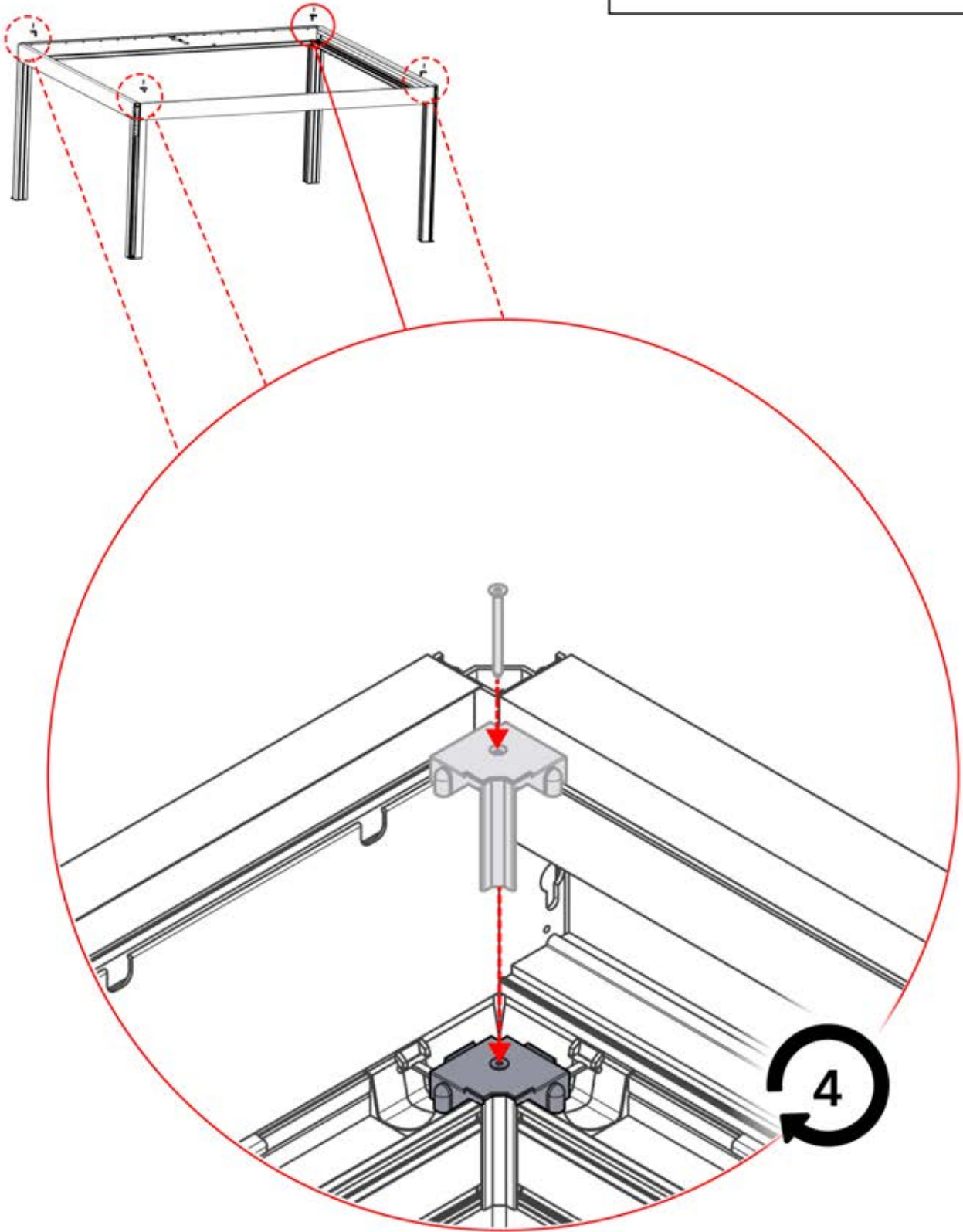
x7
PERGOLUX

6

ANTHRACITE: L240
WHITE: L244
BLACK: L242

 PN-200002289
4x

 5.5 x 70
PN-200000958
4x



17

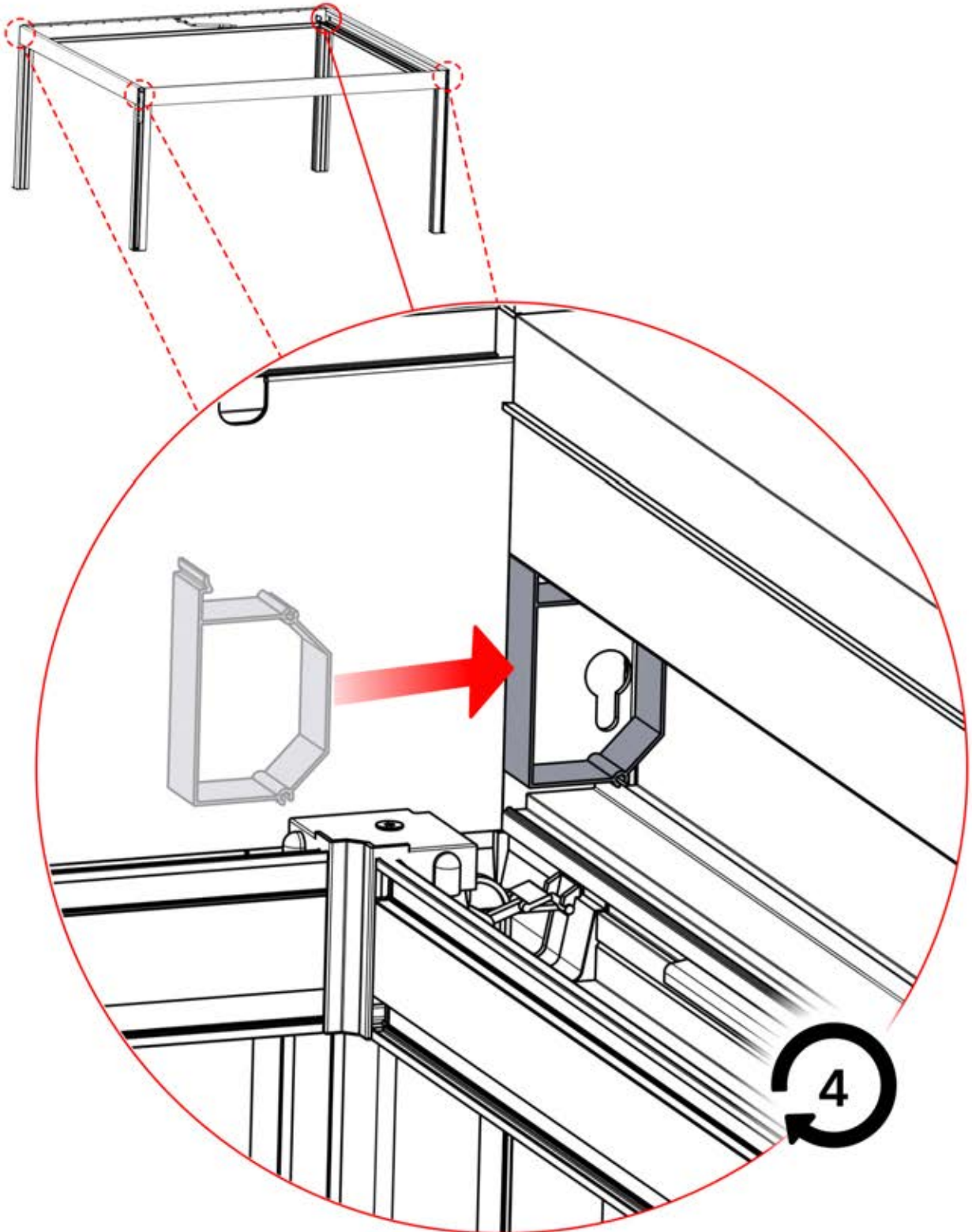


6

ANTHRACITE: L240
WHITE: L244
BLACK: L242



PN-200002329
4x




18

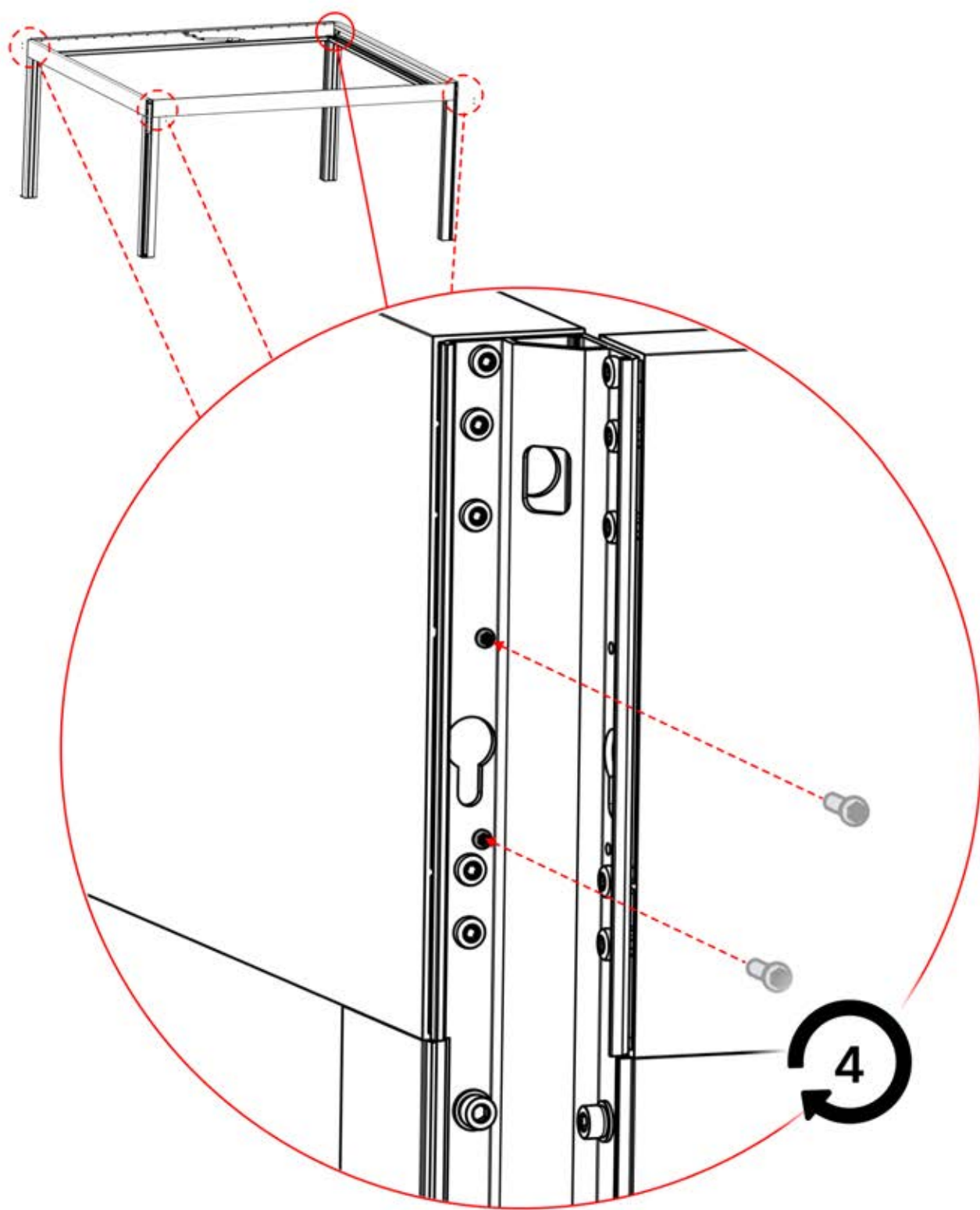
x7
PERGOLUX

6

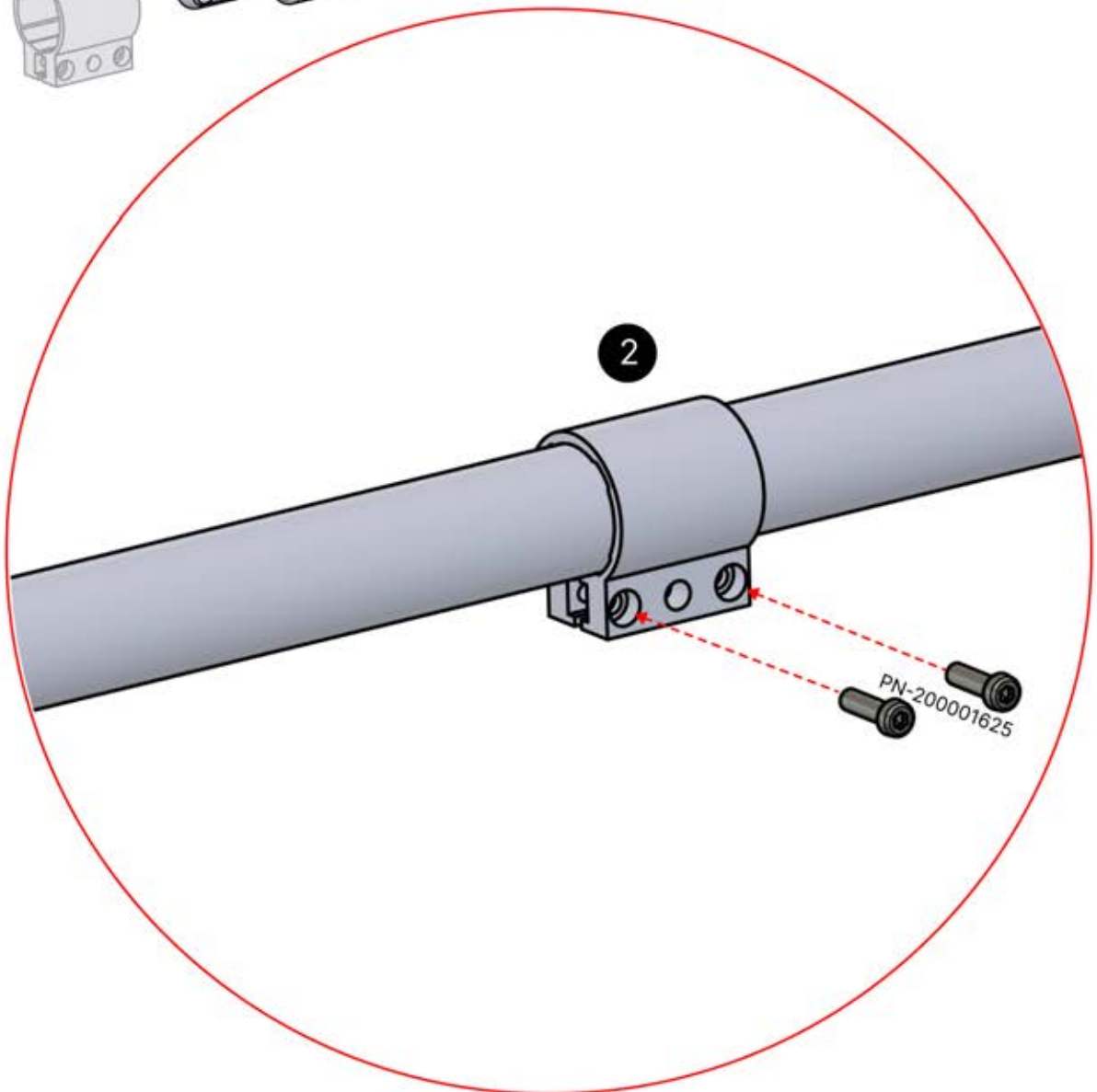
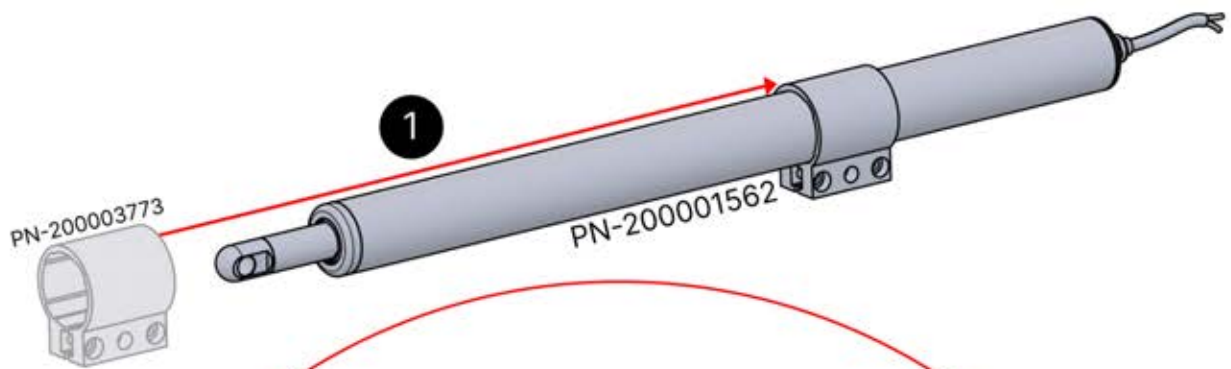
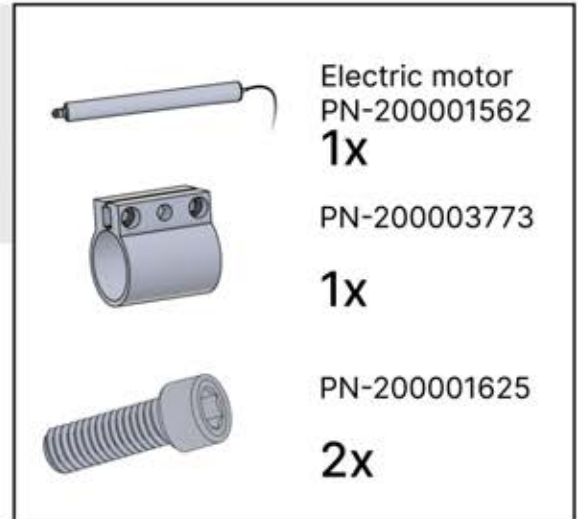
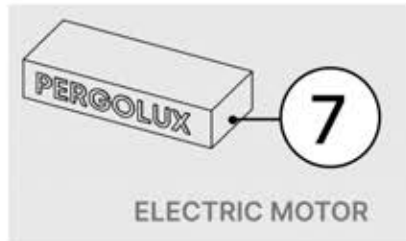
ANTHRACITE: L240
WHITE: L244
BLACK: L242



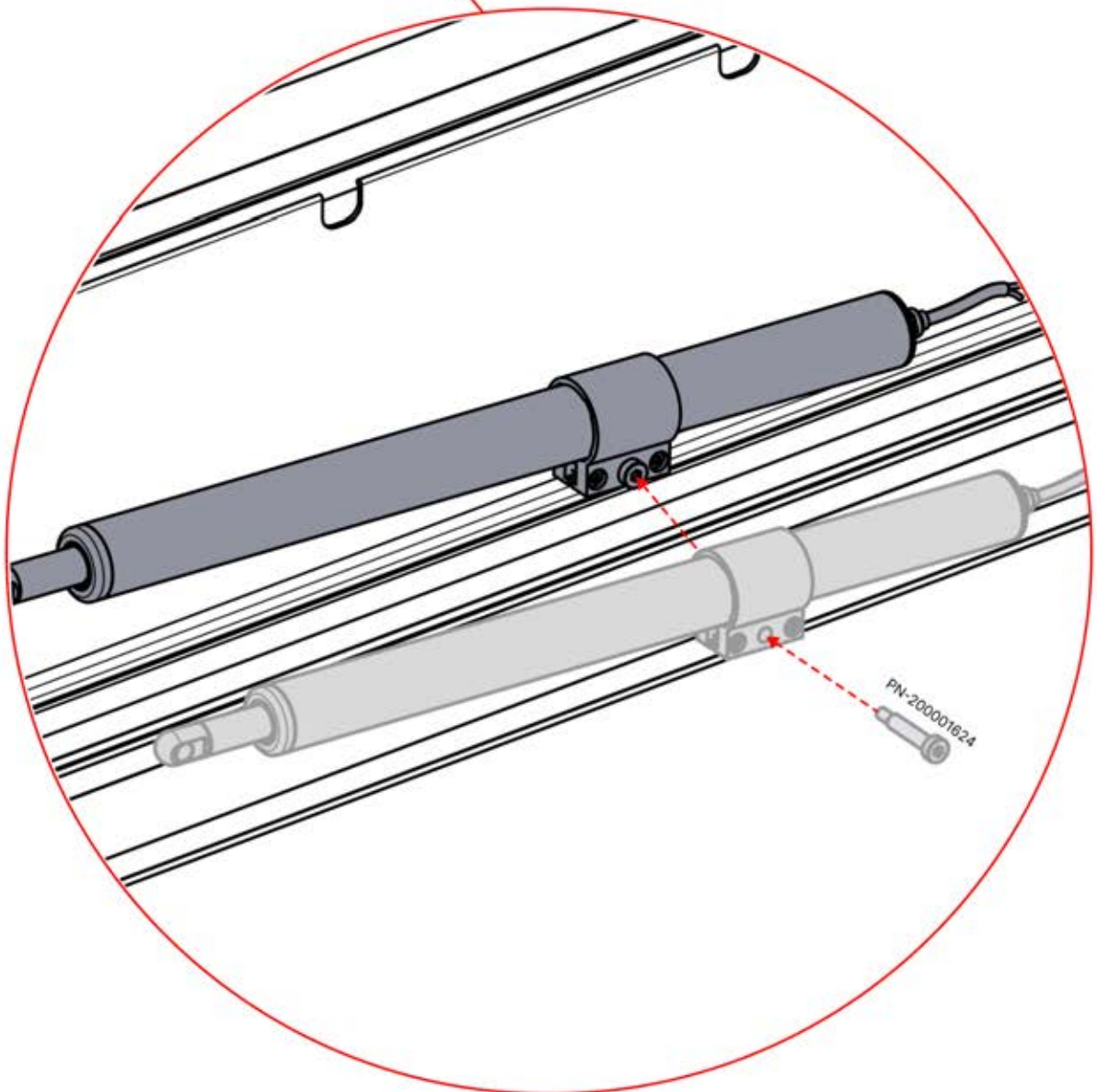
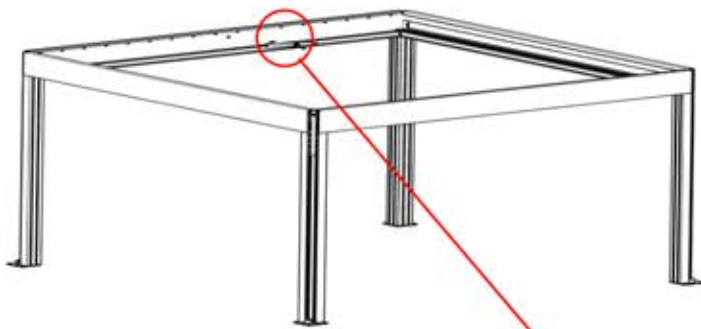
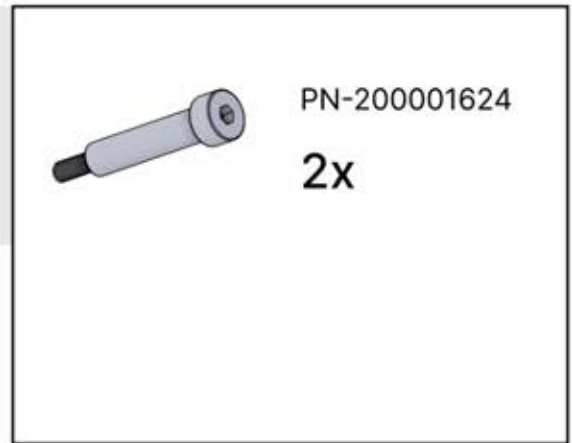
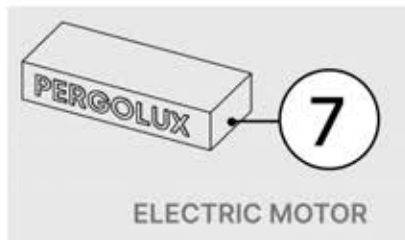
PN-20000852
8x












19

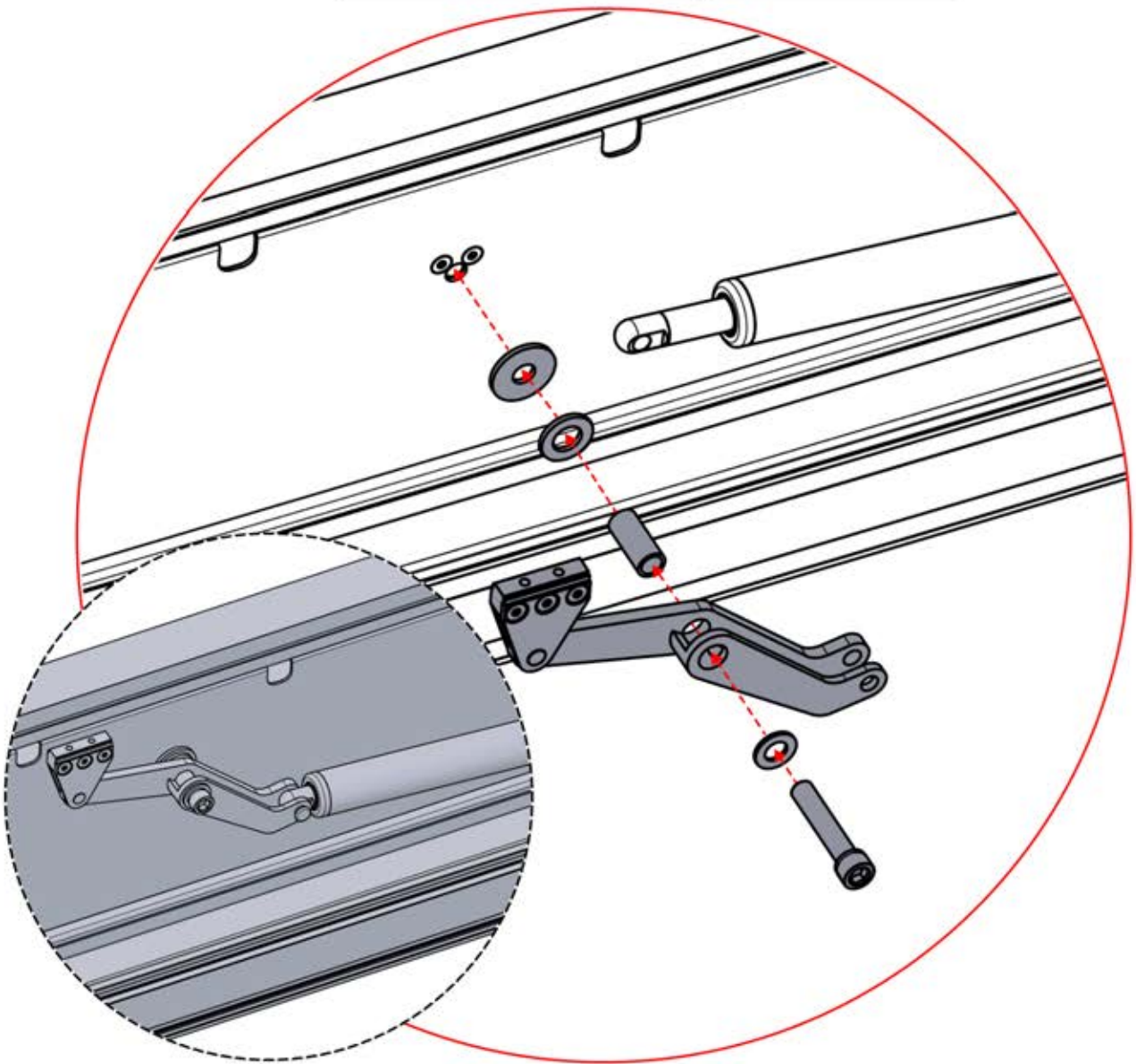


20

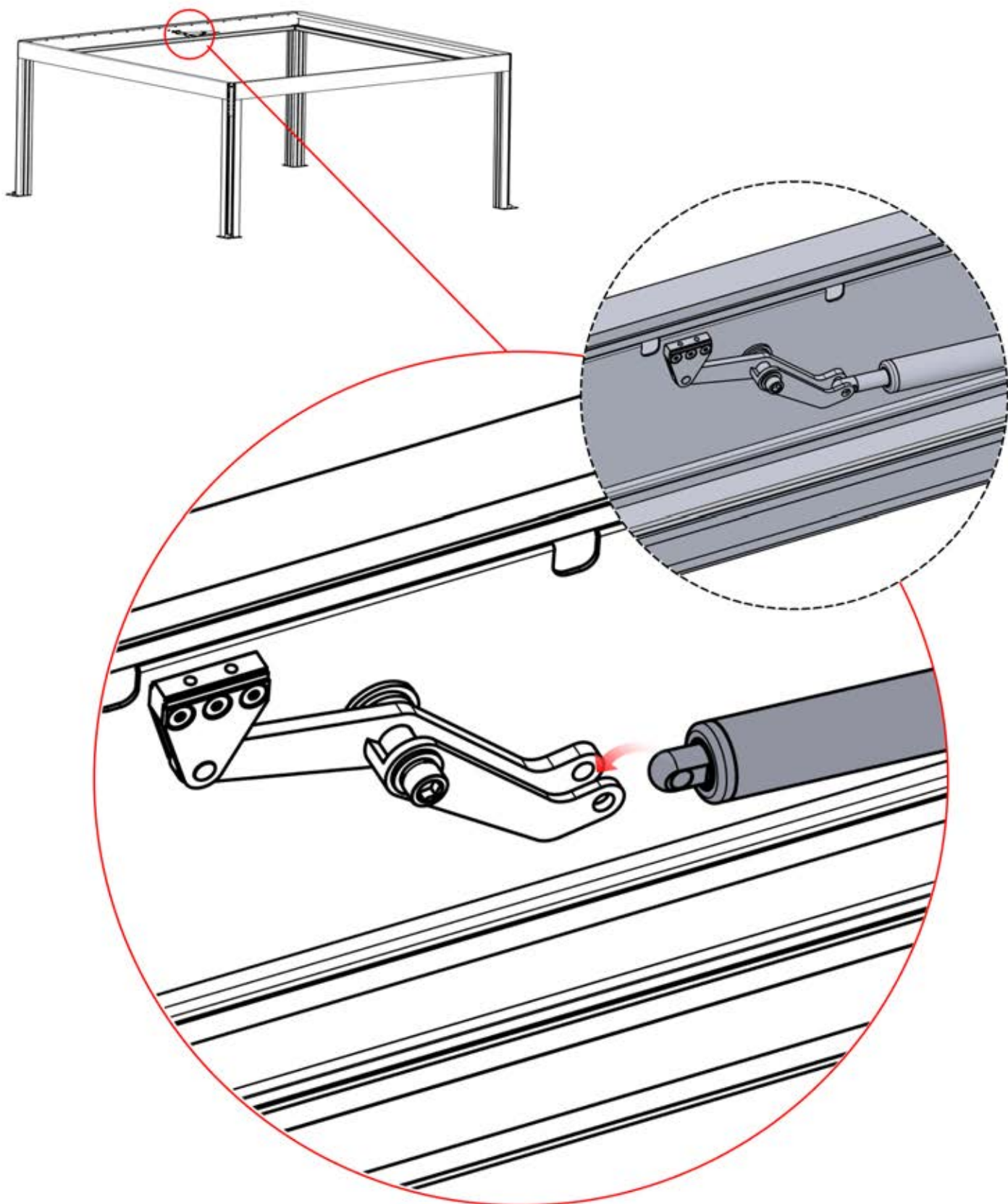


21

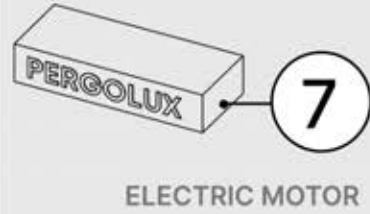
 <p>ANTHRACITE: L240 WHITE: L244 BLACK: L242</p>	 <p>PN-200002326 1x</p>
 <p>PN-200003500 1x</p>	 <p>PN-200002328 2x</p>
 <p>PN-200002330 1x</p>	 <p>PN-200002327 1x</p>
 <p>PN-200002324 1x</p>	 <p>PN-200002333 1x</p>
	 <p>PN-200002355 1x</p>



22



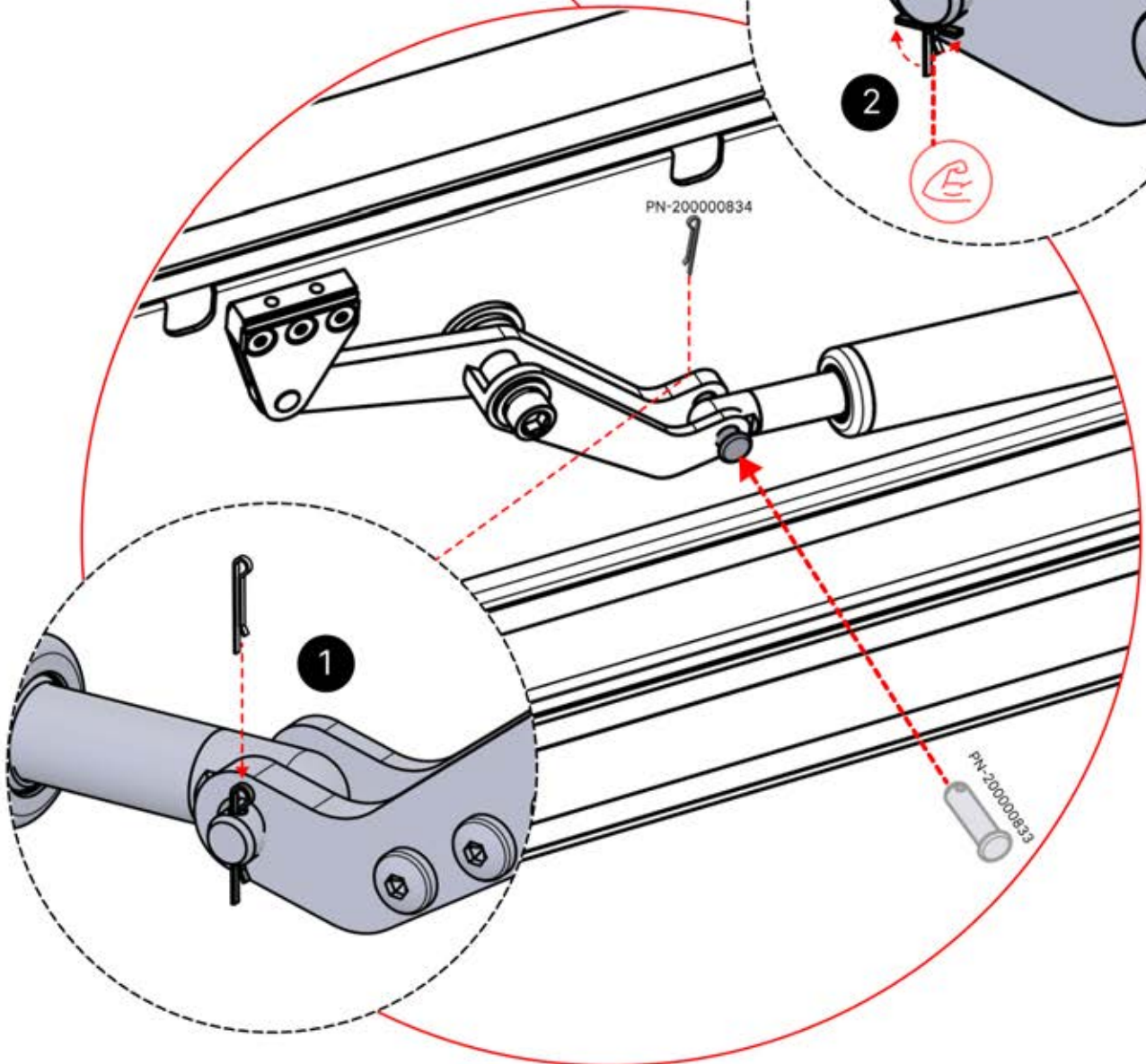
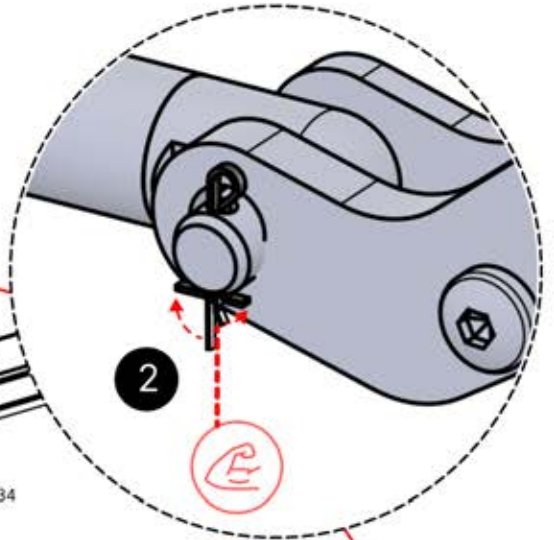
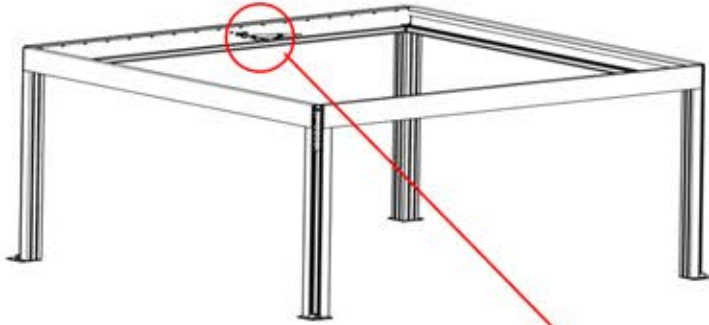
23



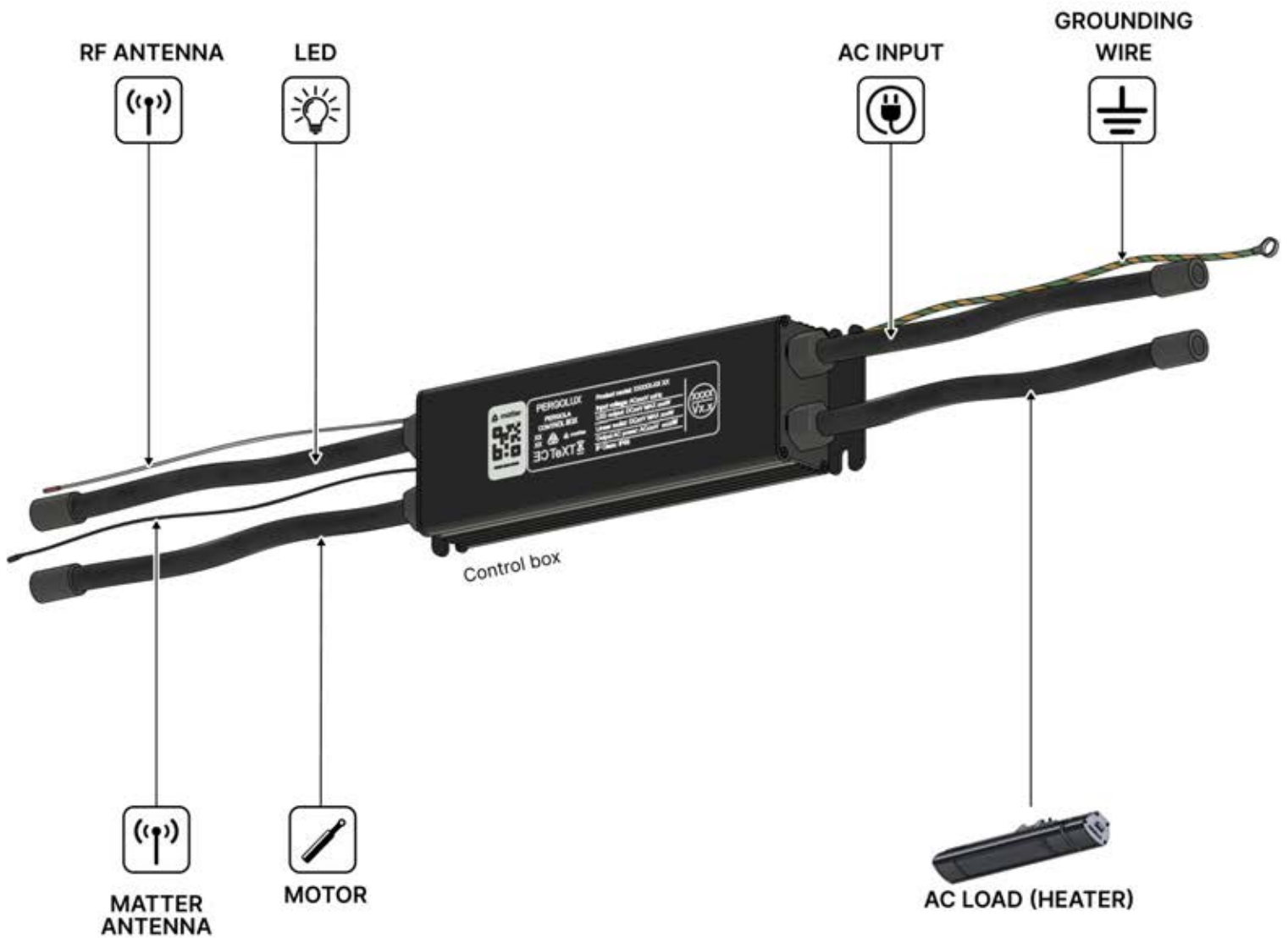
Motor Pin
1x



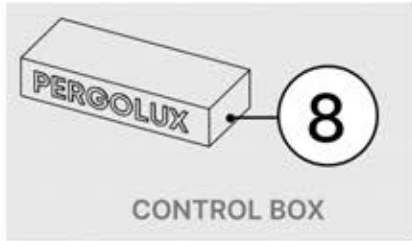
Split Pin
1x



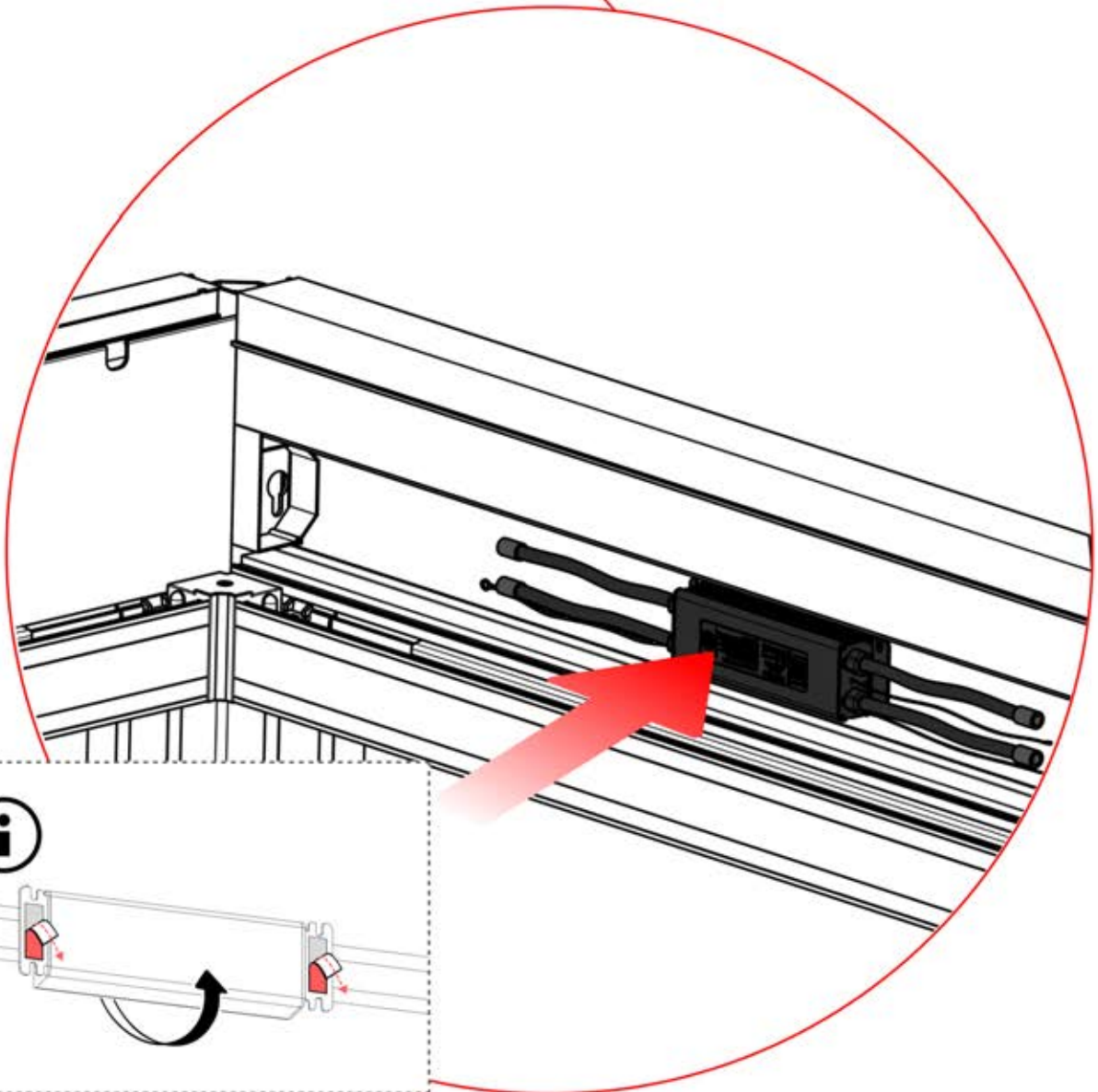
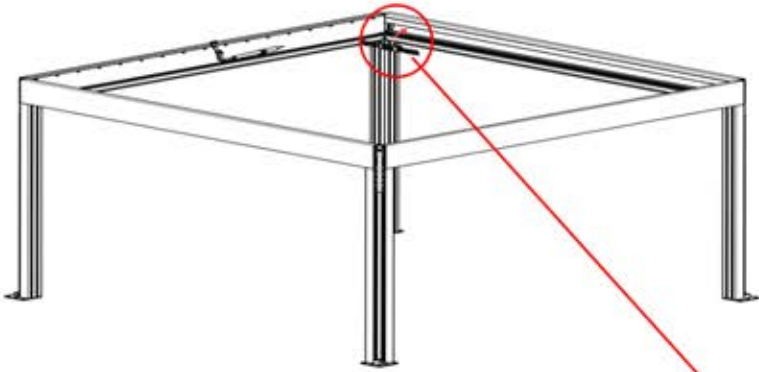
INPUTS AND OUTPUTS




24





!
Control Box can be installed on Preferred W BEAM

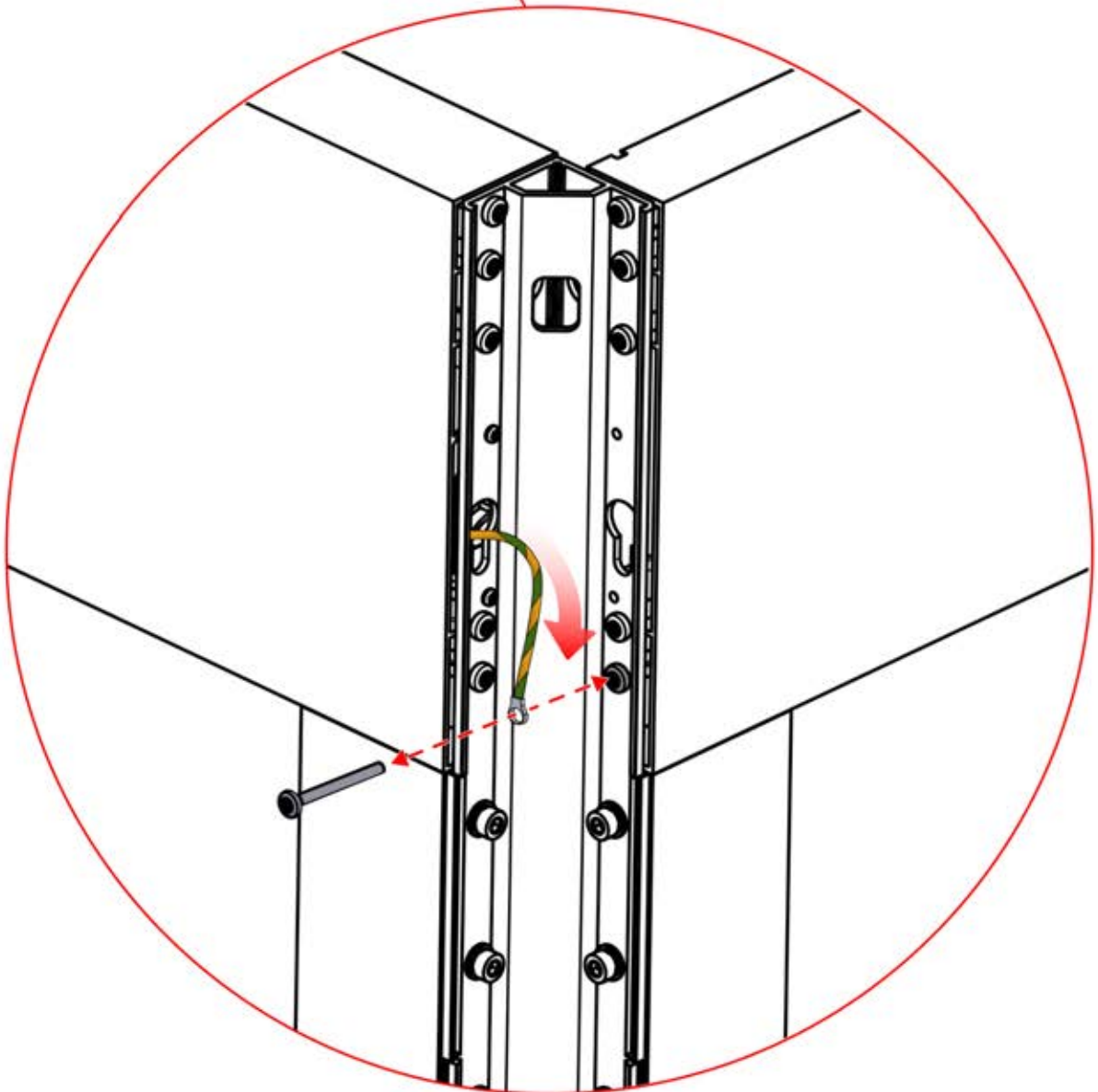
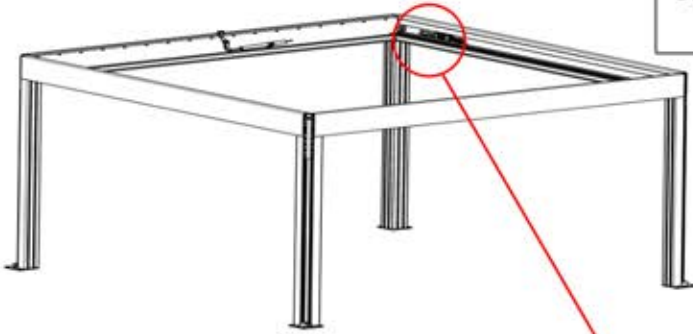


25

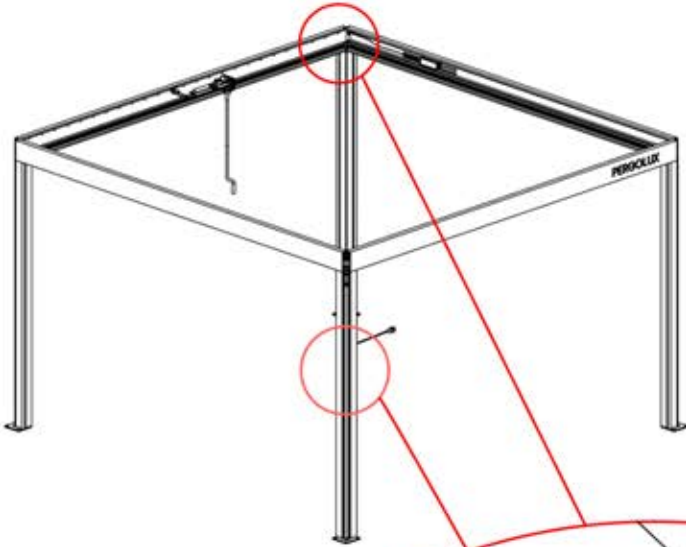
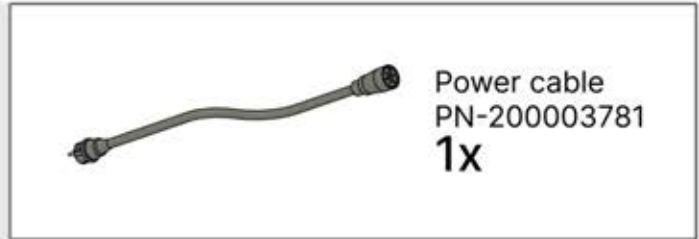
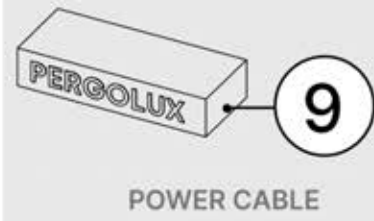
 Connect grounding wire before connecting to power!



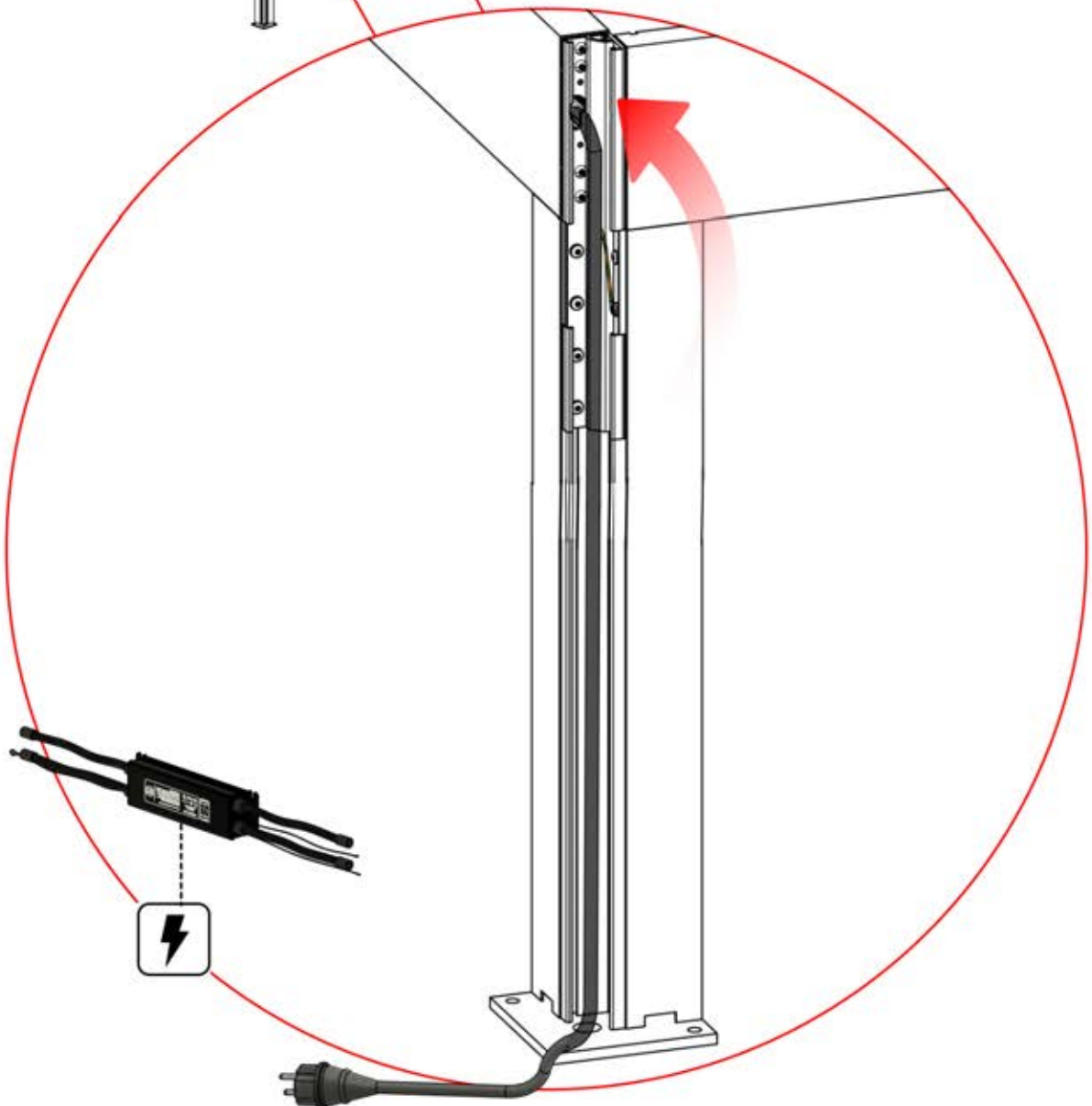
 GROUNDING



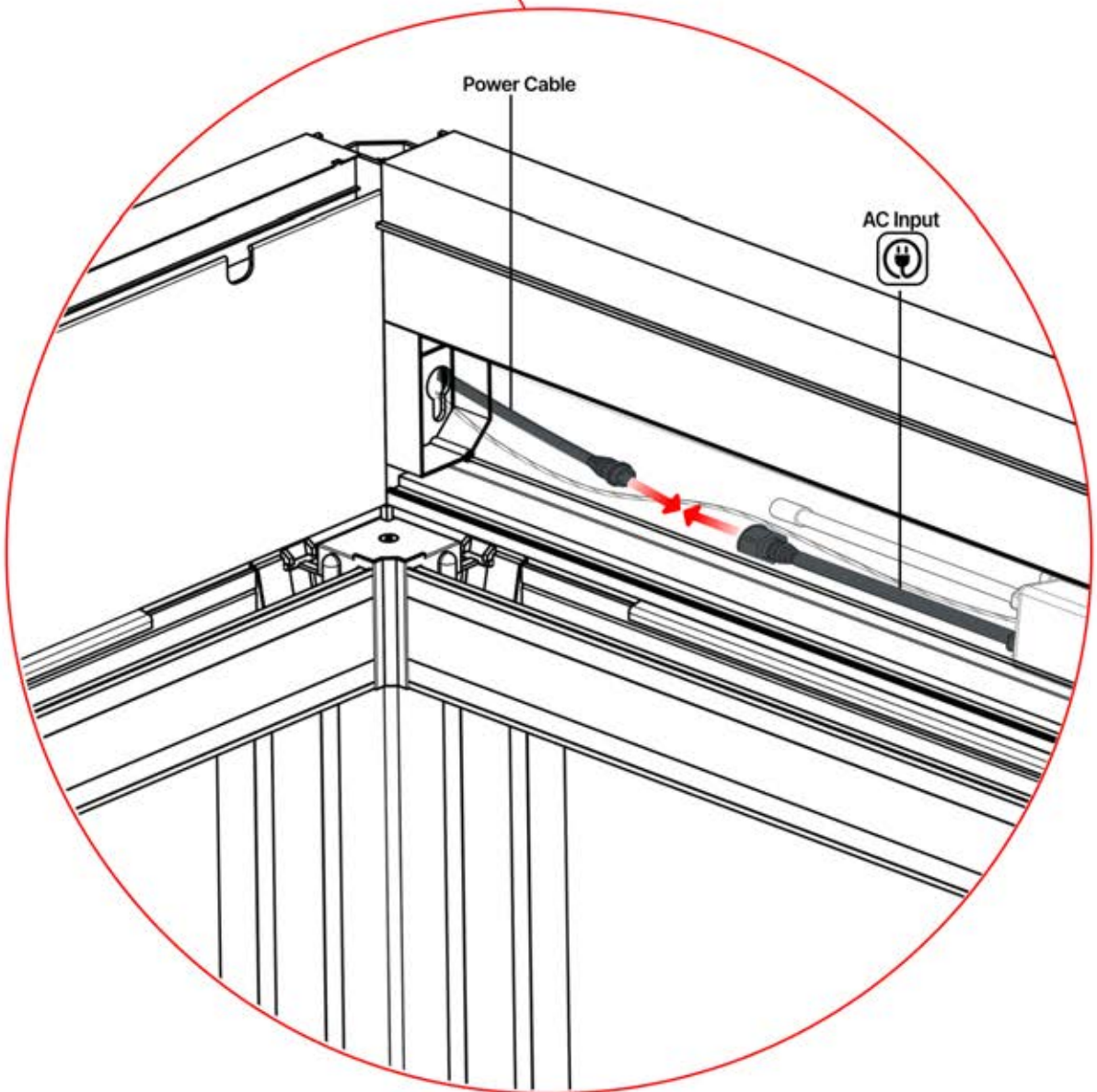
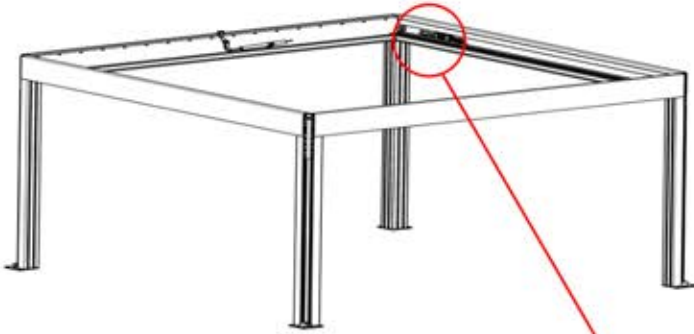
26



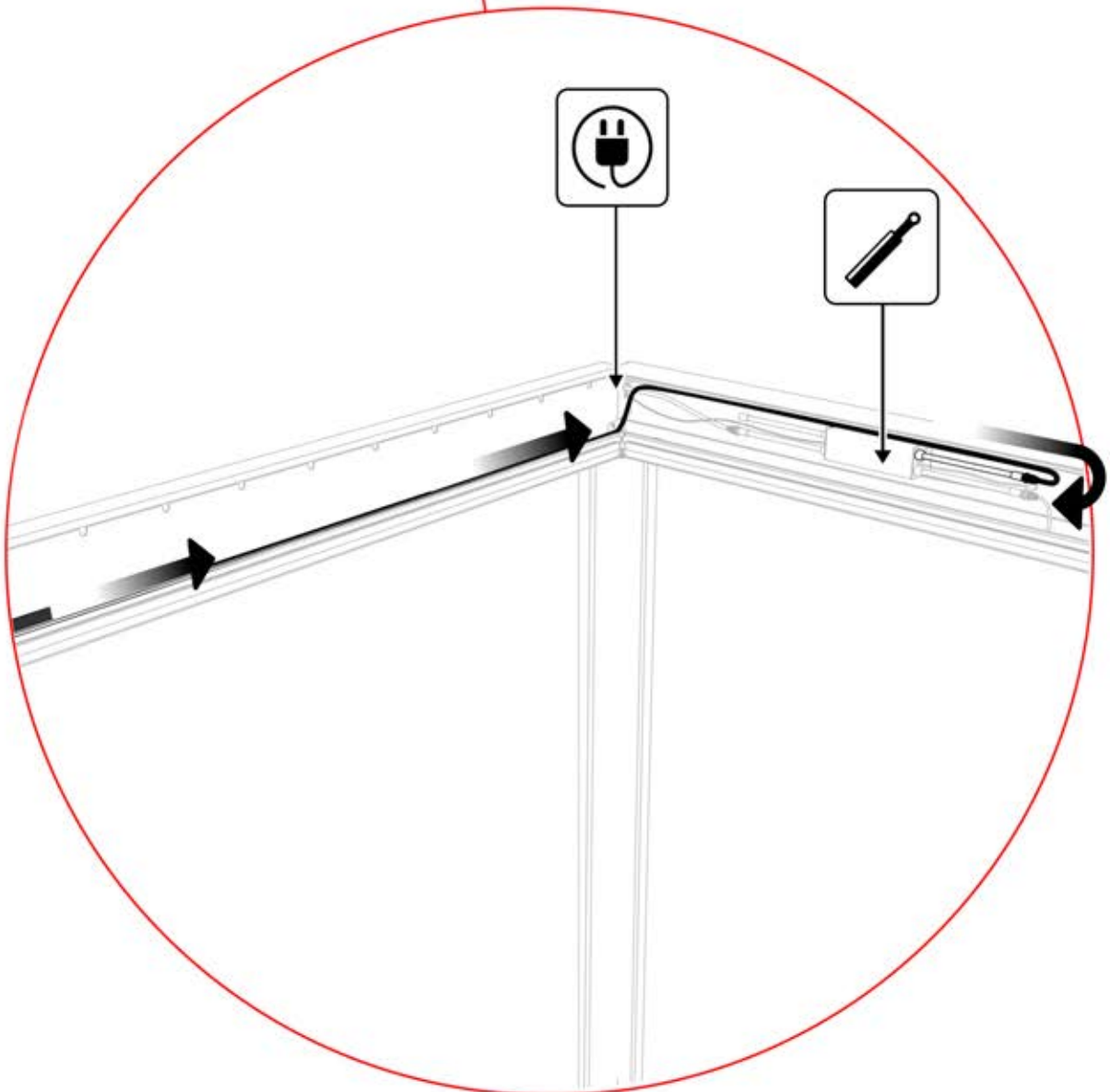
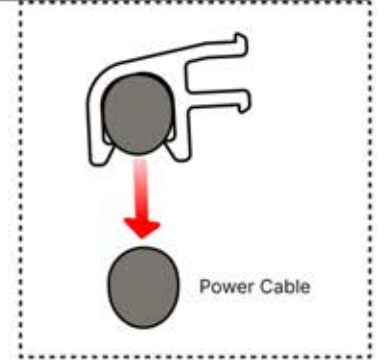
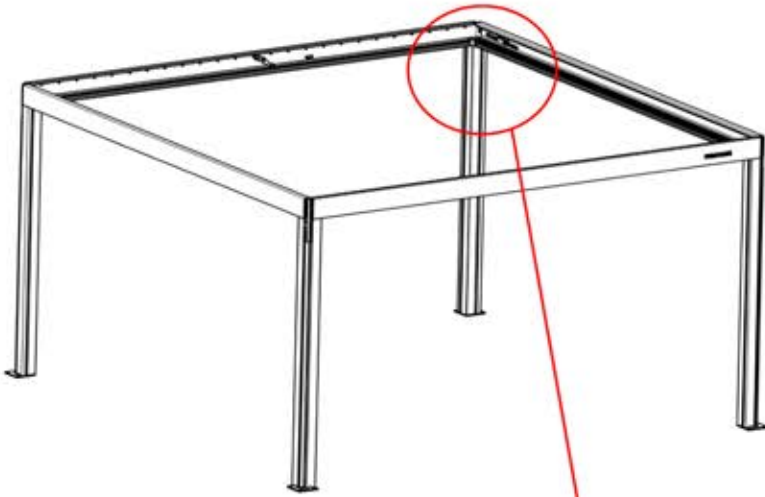
!
Power Cable can be routed through all the Poles.



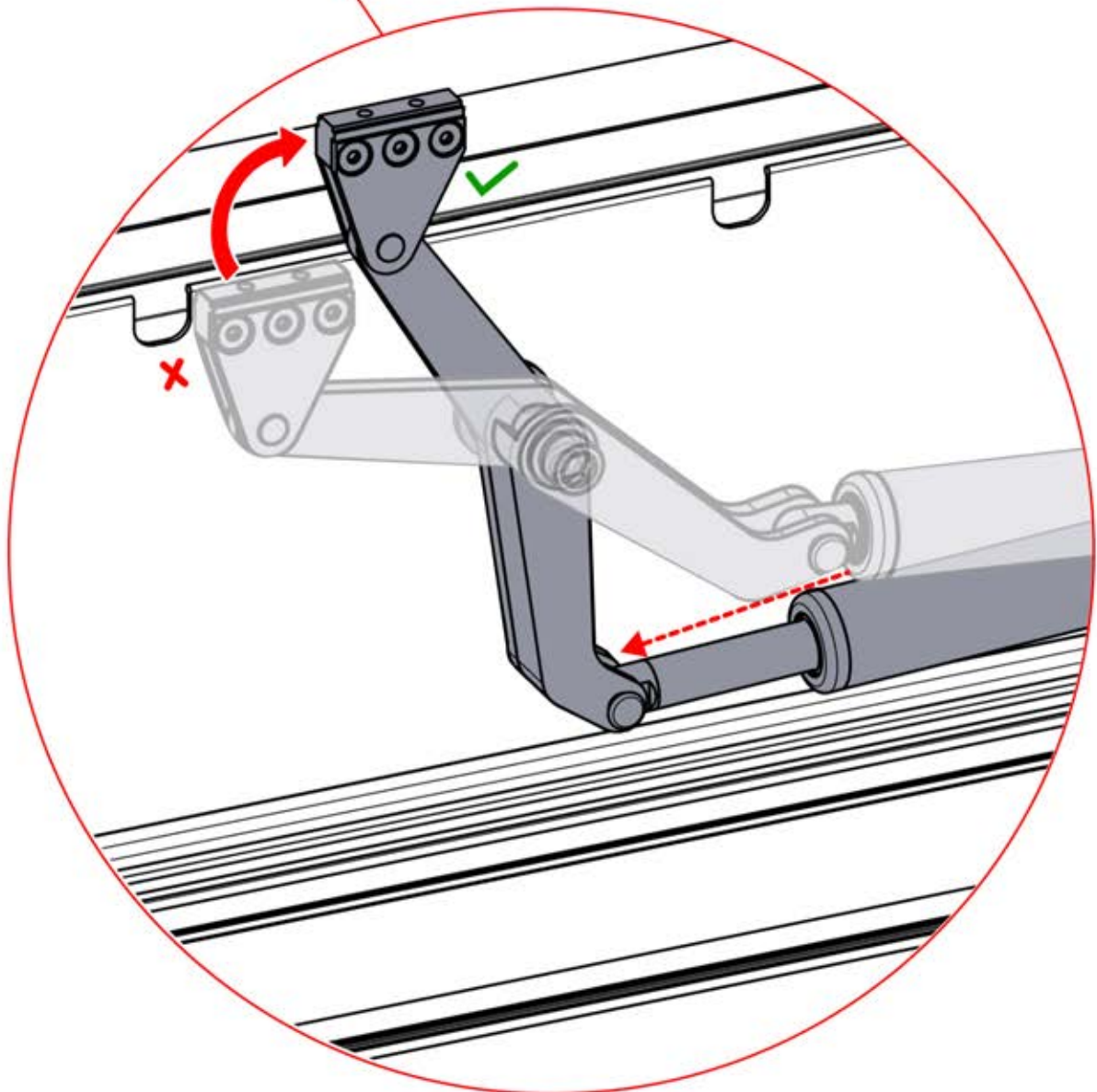
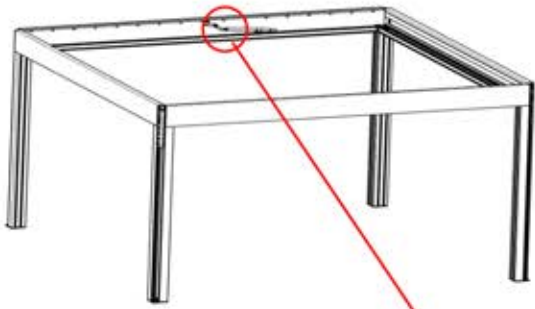
27





28





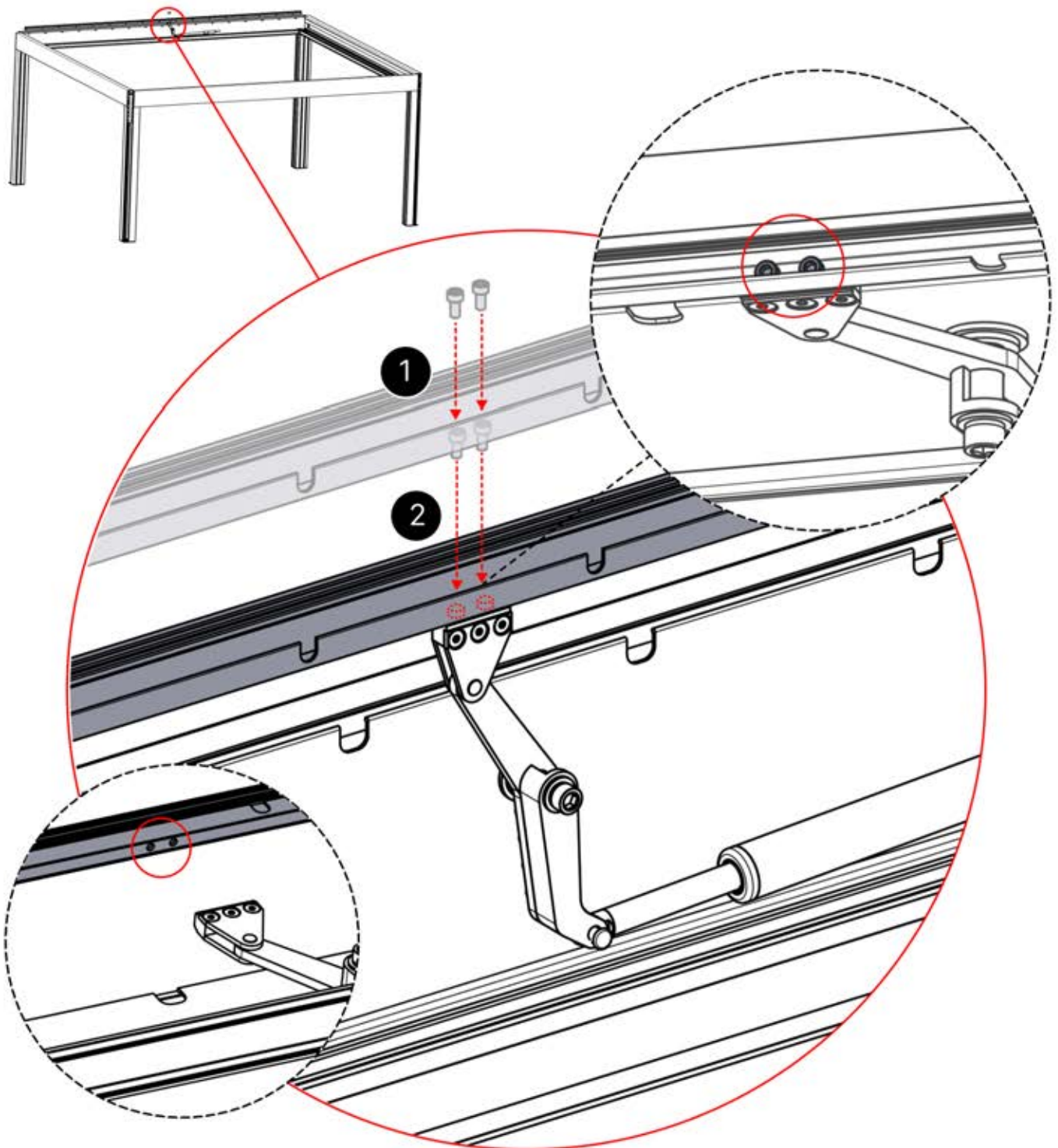
29



30

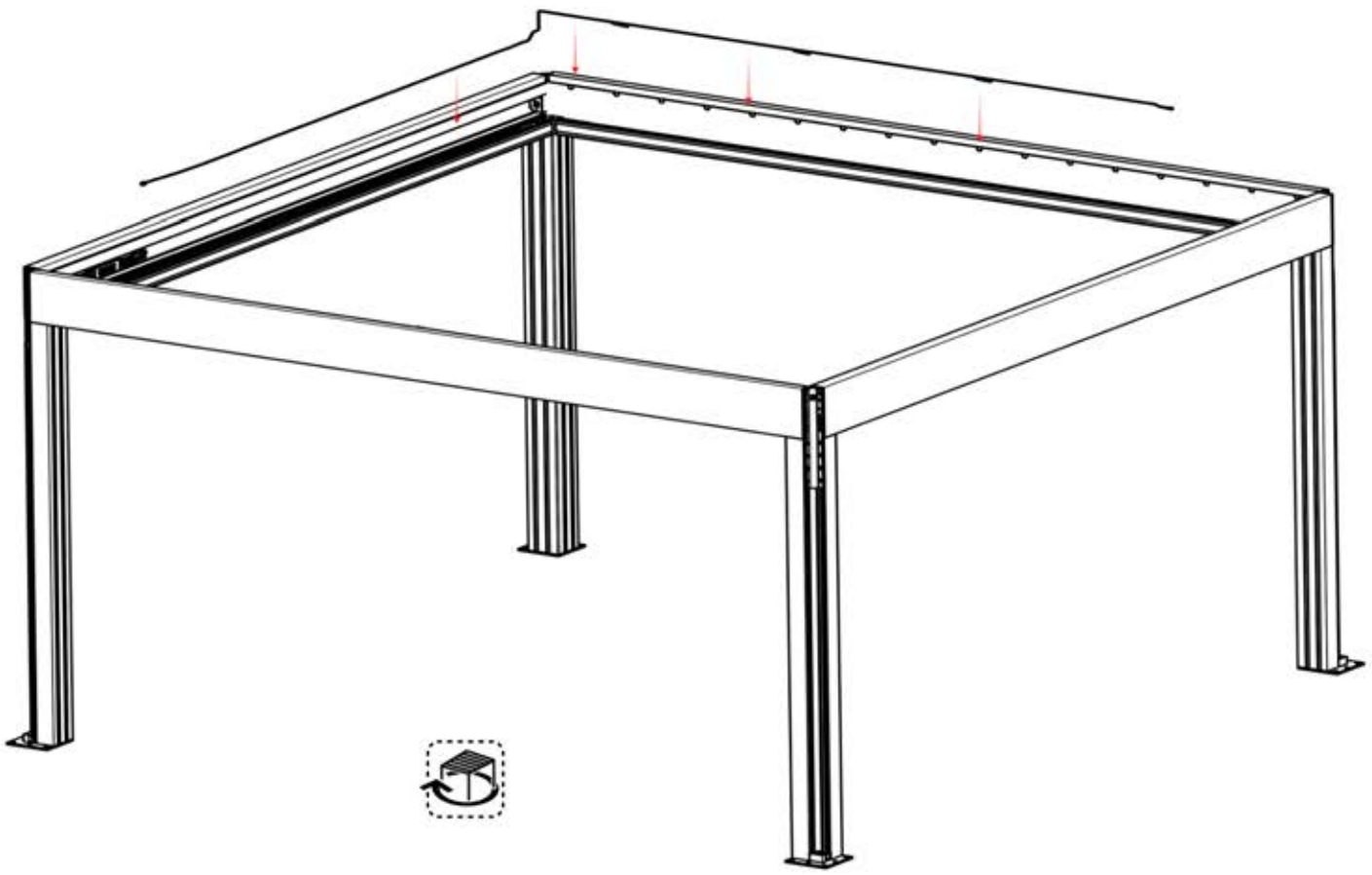
	2
ANTHRACITE: B286 WHITE: B290 BLACK: B294	
	6
ANTHRACITE: L240 WHITE: L244 BLACK: L242	

	PN-200002495 1x
	PN-200002134 2x

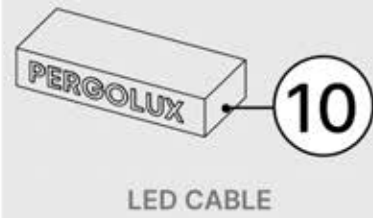


31

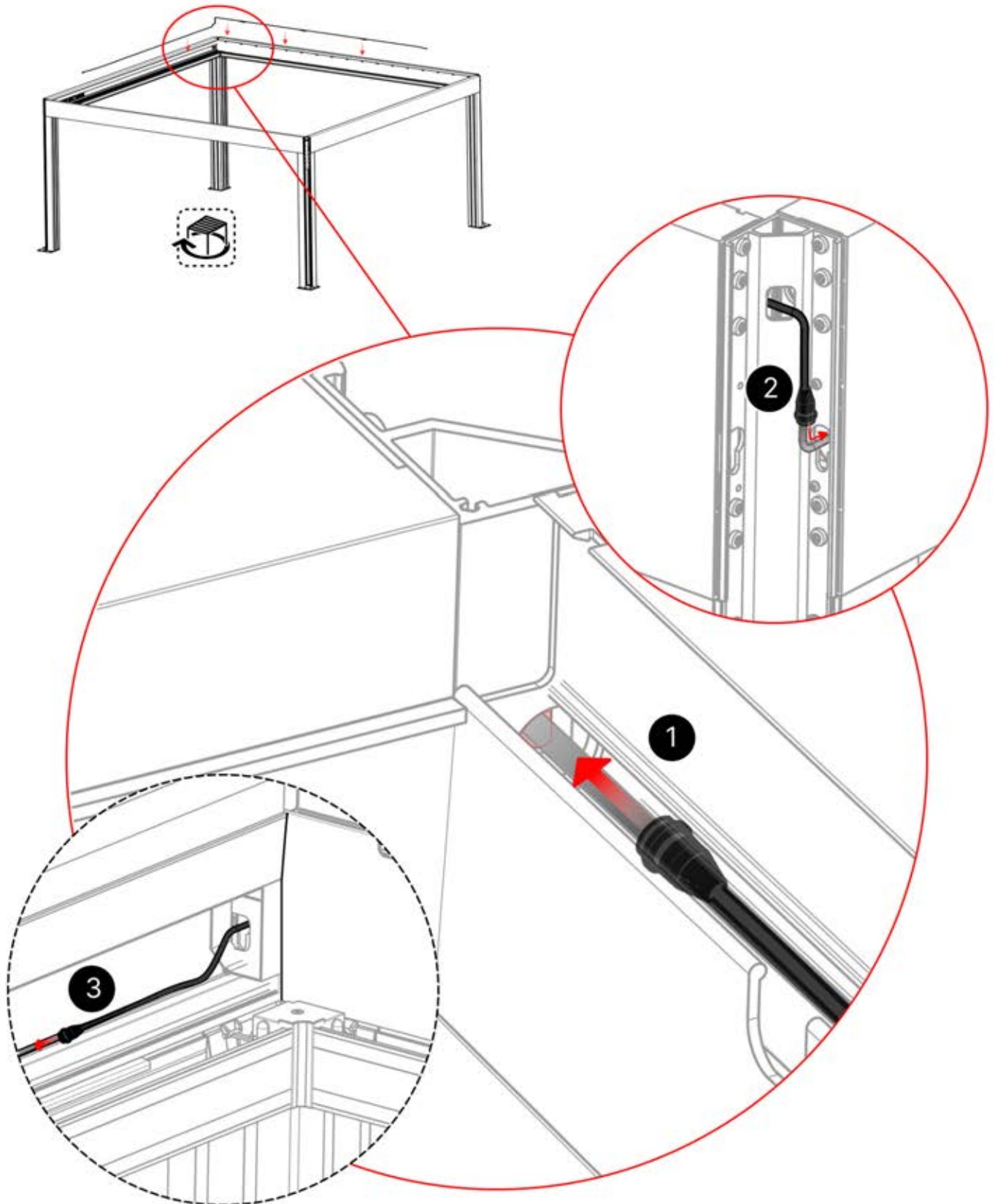
 <p>PERGOLUX LED CABLE</p> <p>10</p>	 <p>6 LED HARNESS</p>
---	---

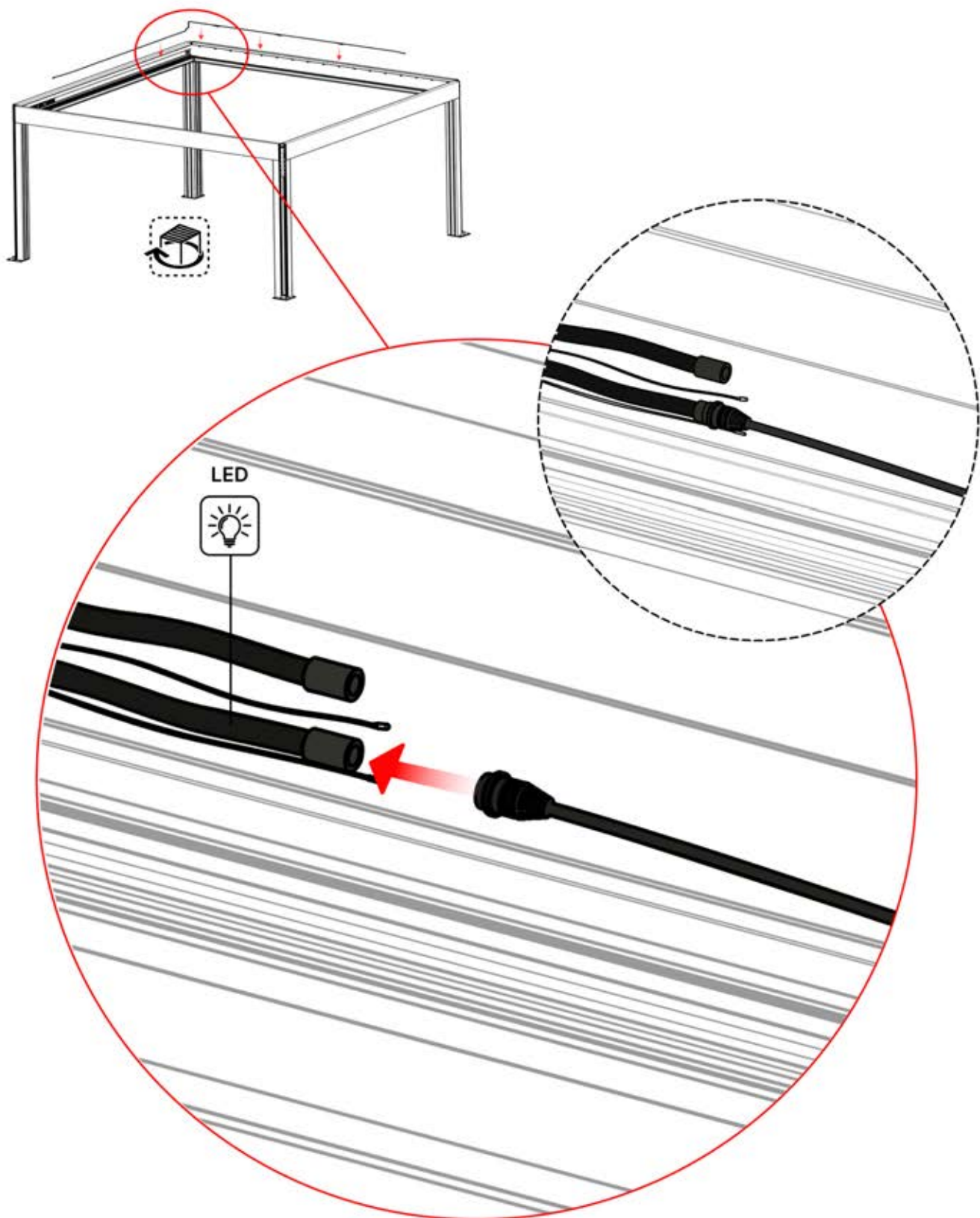


32

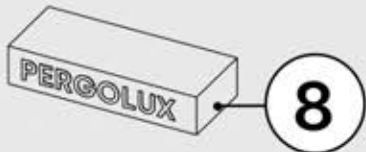




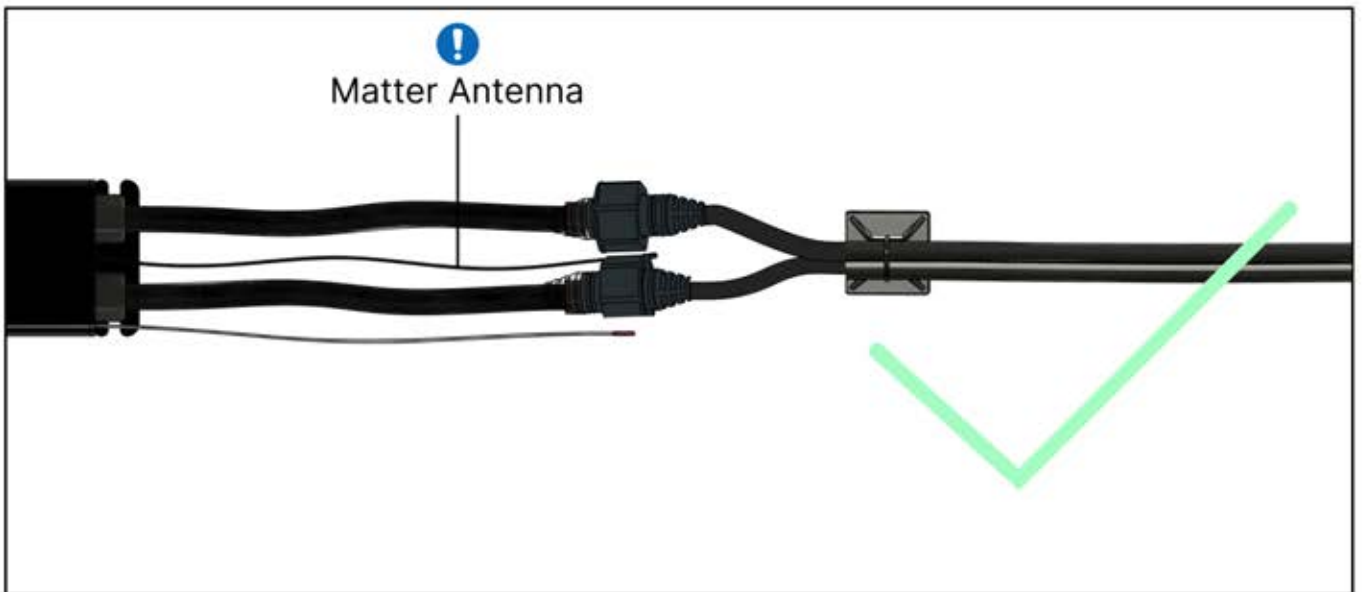
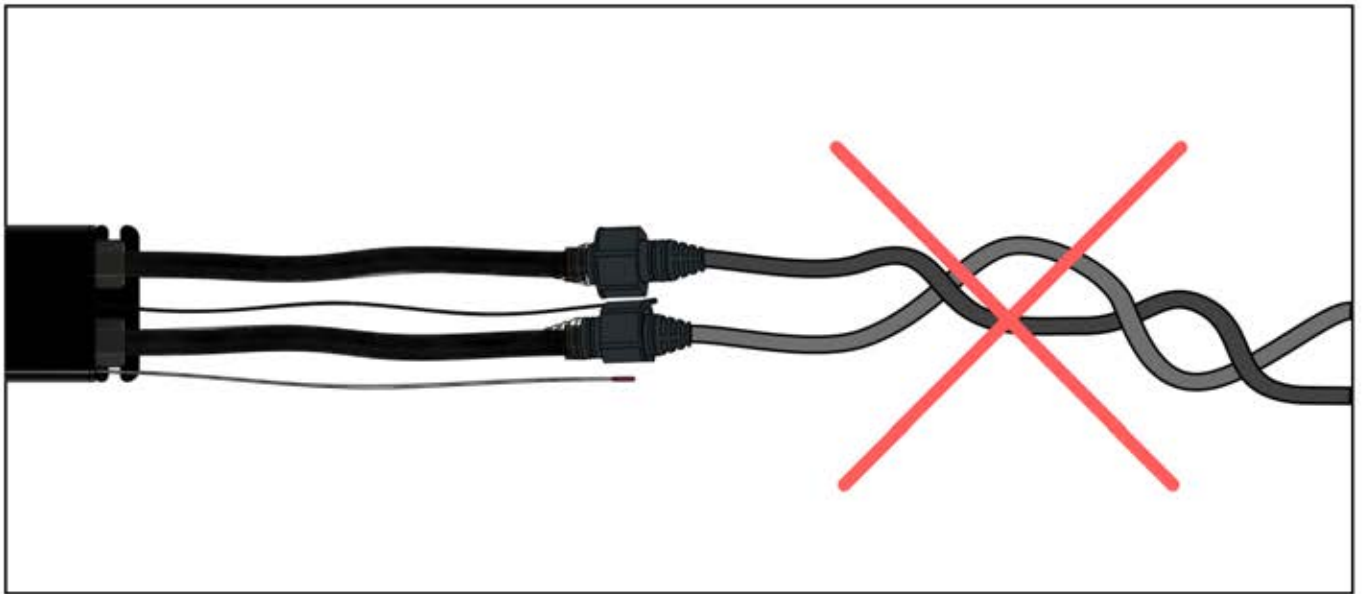
6 LED HARNESS



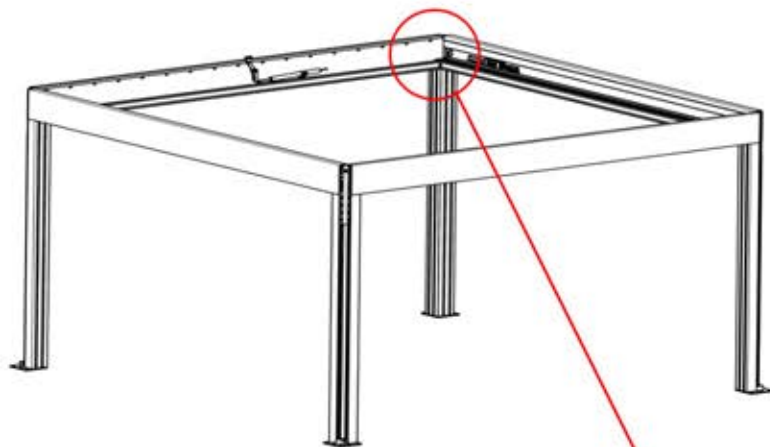


34

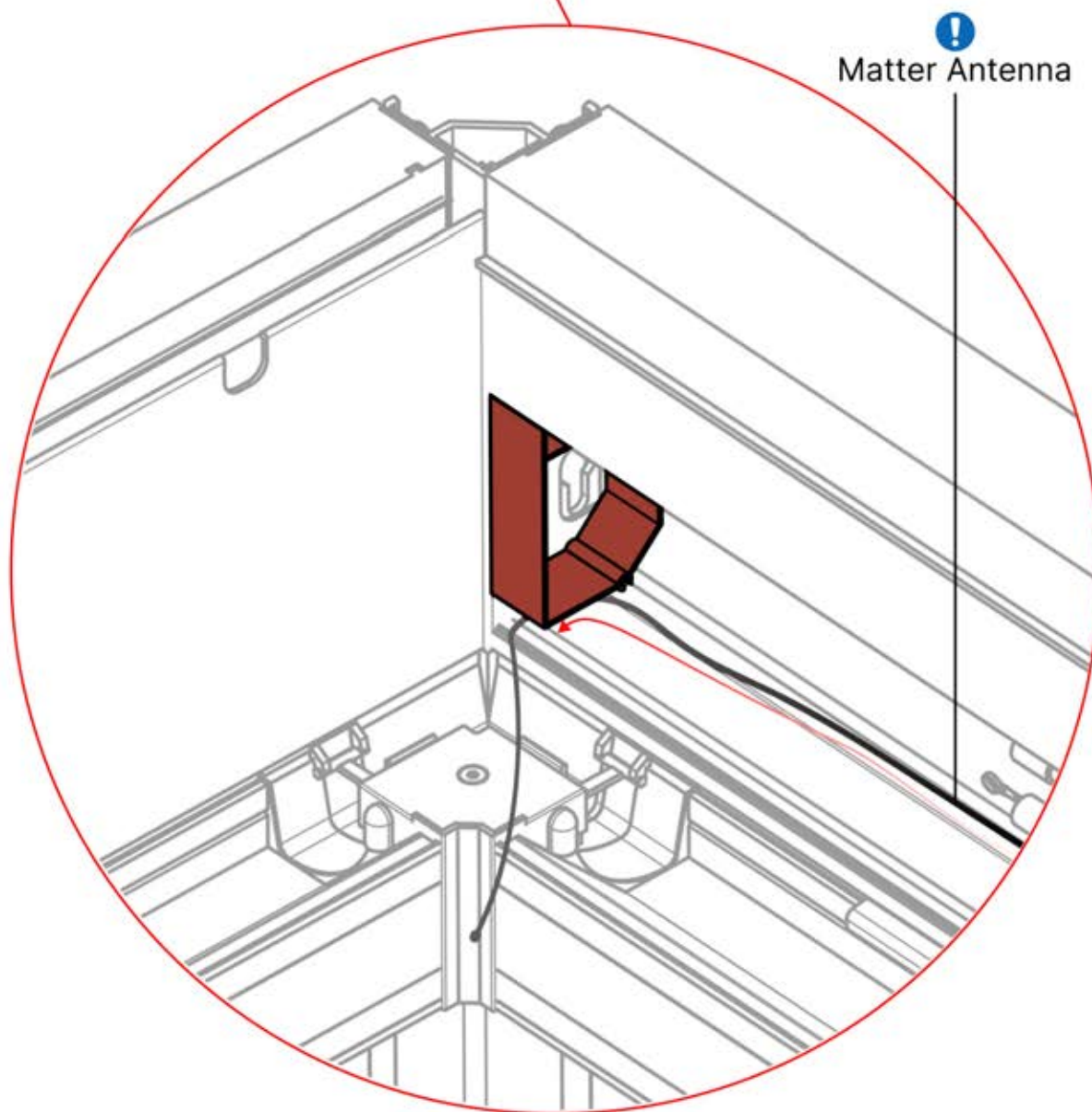
 <p>CONTROL BOX</p>	S4	PN-200002683 5x
<p>⚠ Keep the Matter Antenna wire free and do not tie them with LED and Motor wire</p>	 	PN-200002684 10x



35



!
Route the Matter
Antenna and place it
below the highlighted
part(PN-200002329).



!
Matter Antenna

36

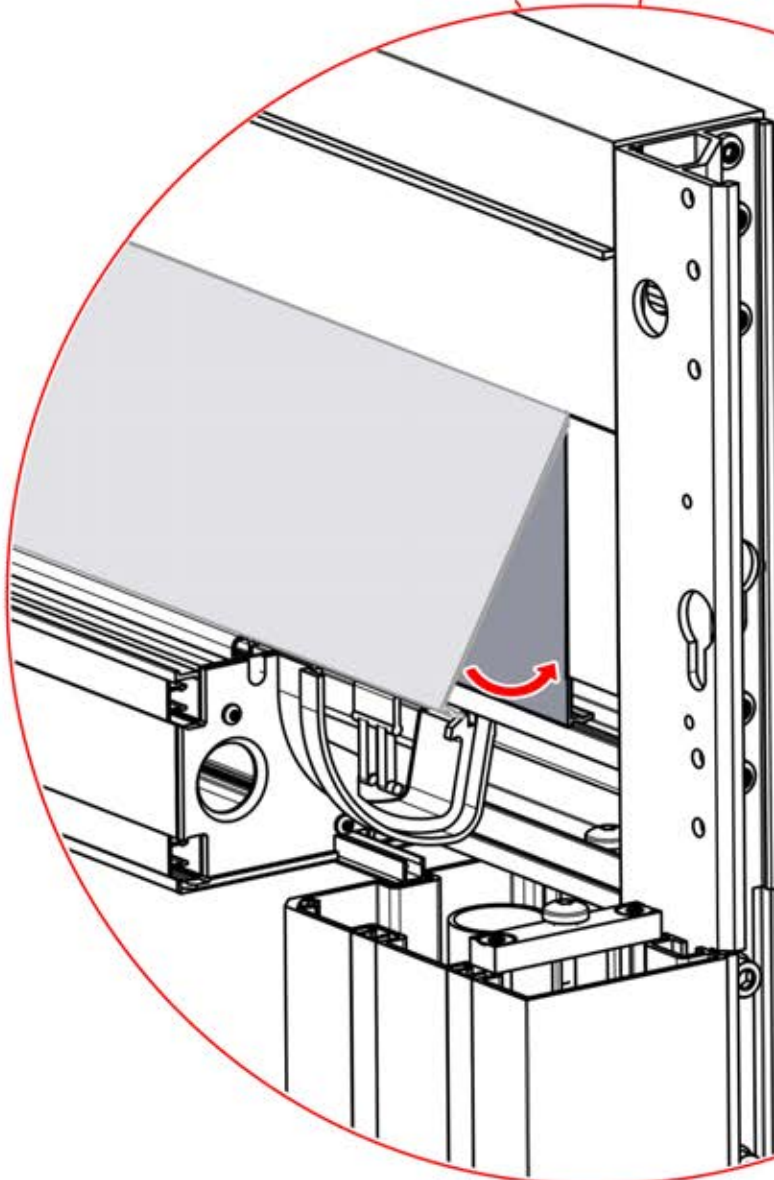
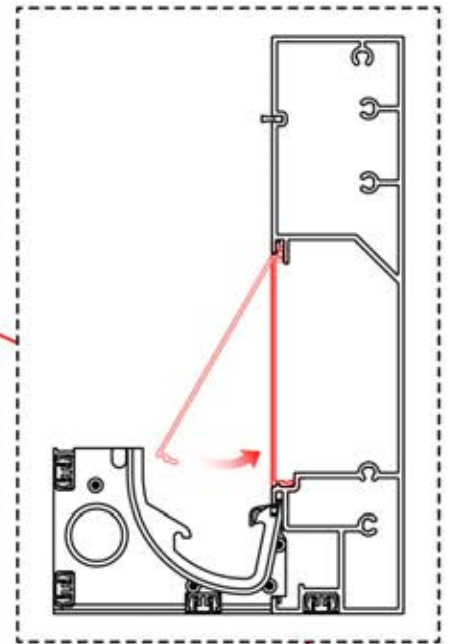
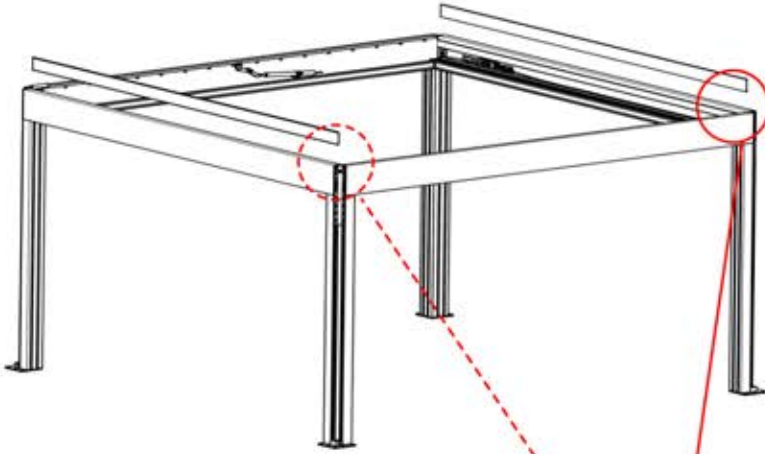
x1
PERGOLUX

3

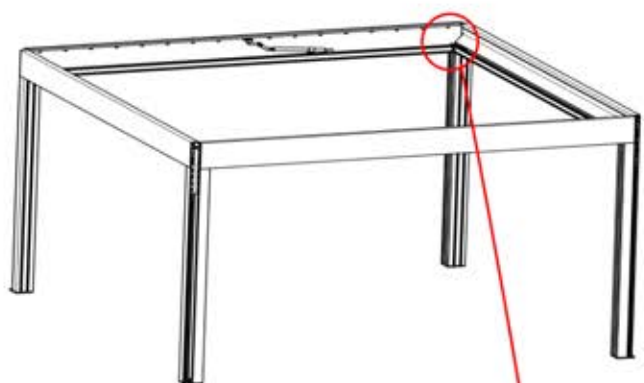
ANTHRACITE: B308
WHITE: B310
BLACK: B312



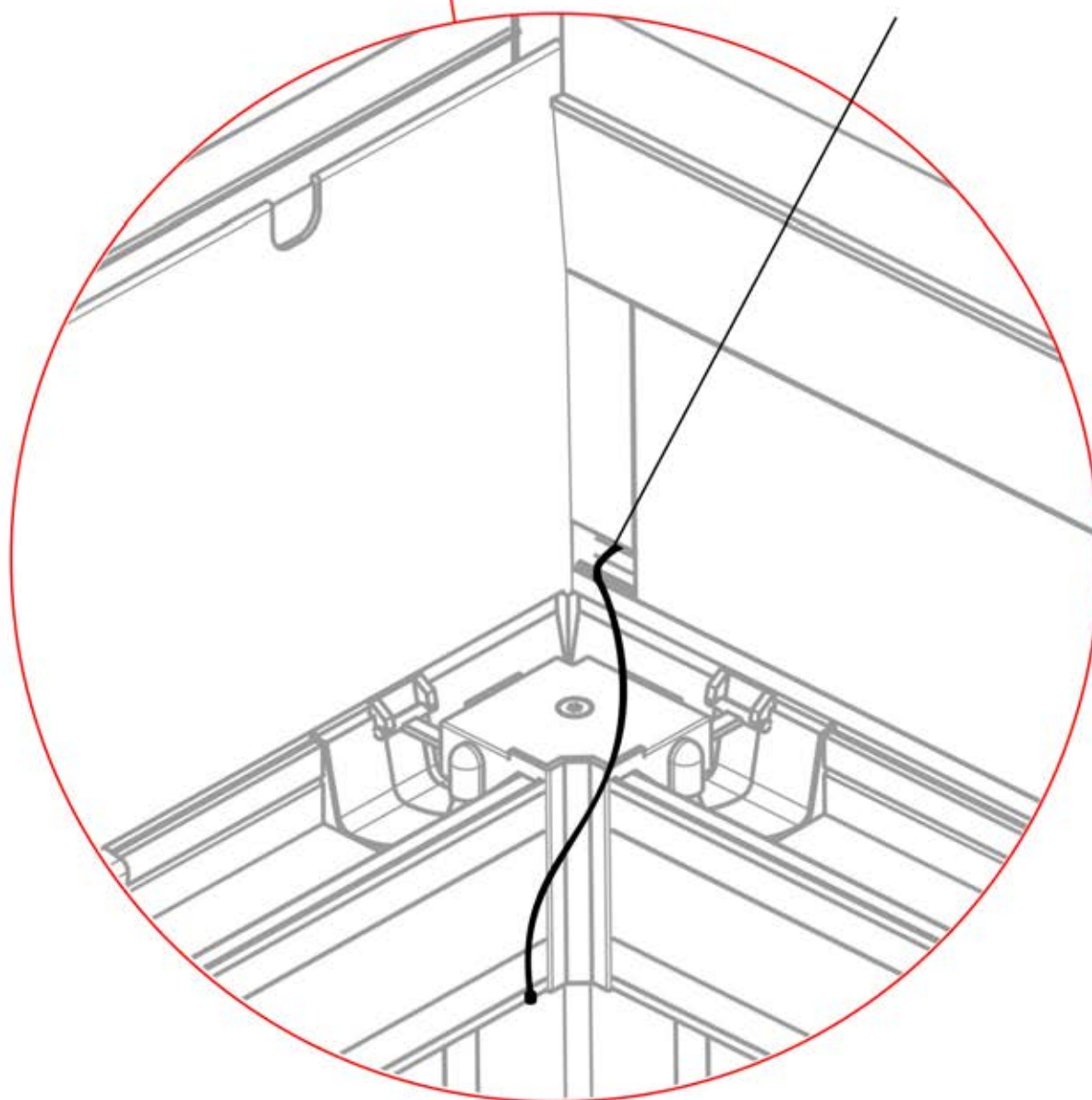
PN-200002352
2x



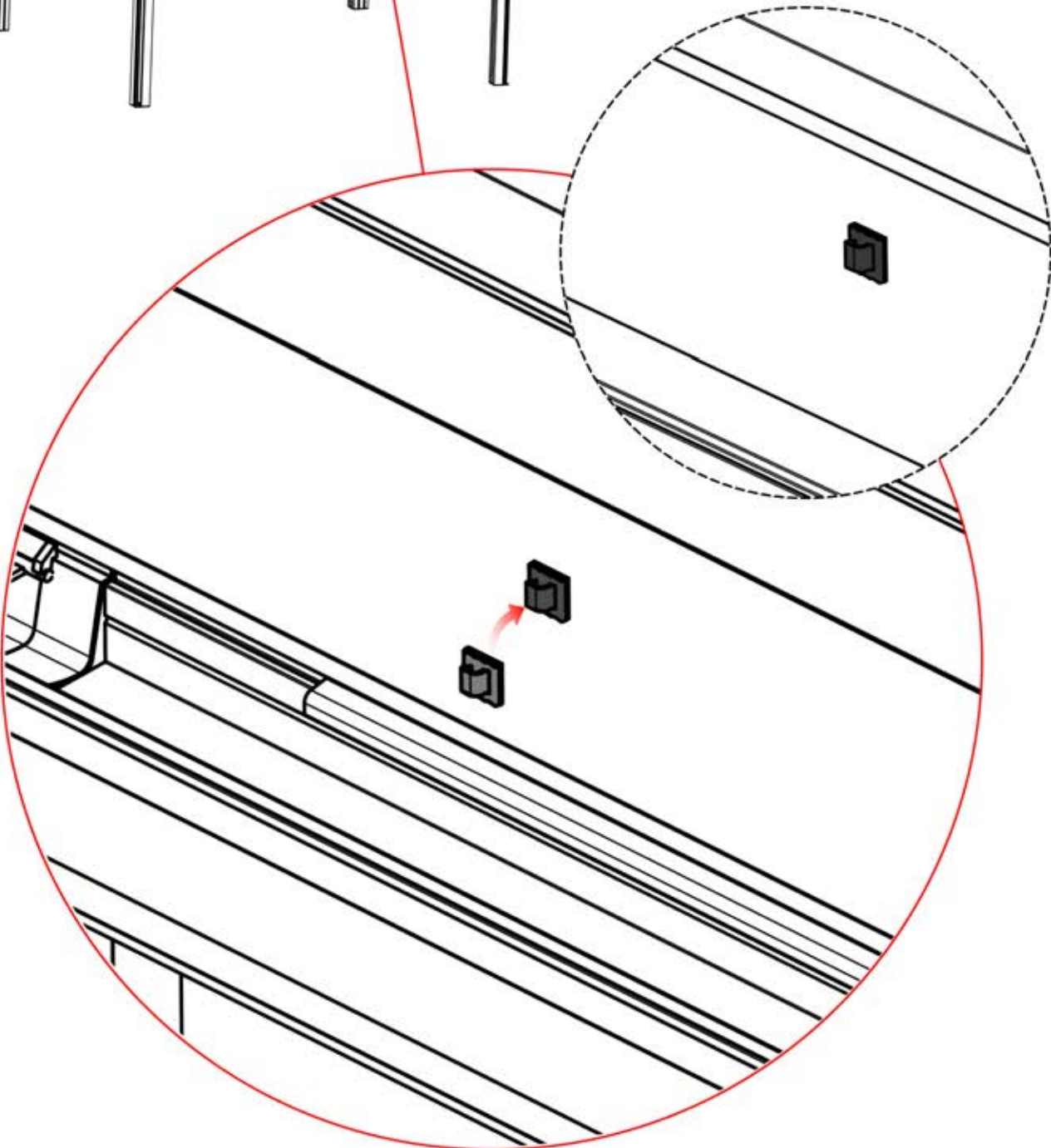
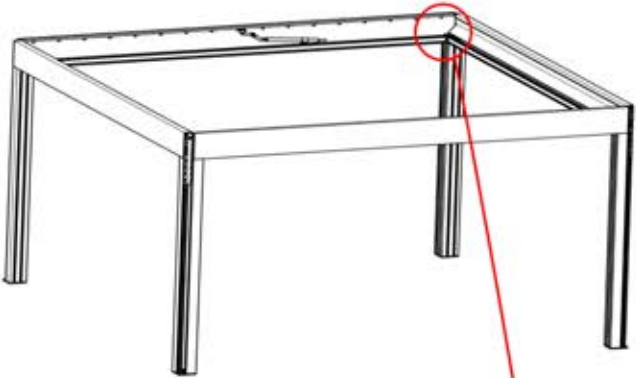
INFORMATION

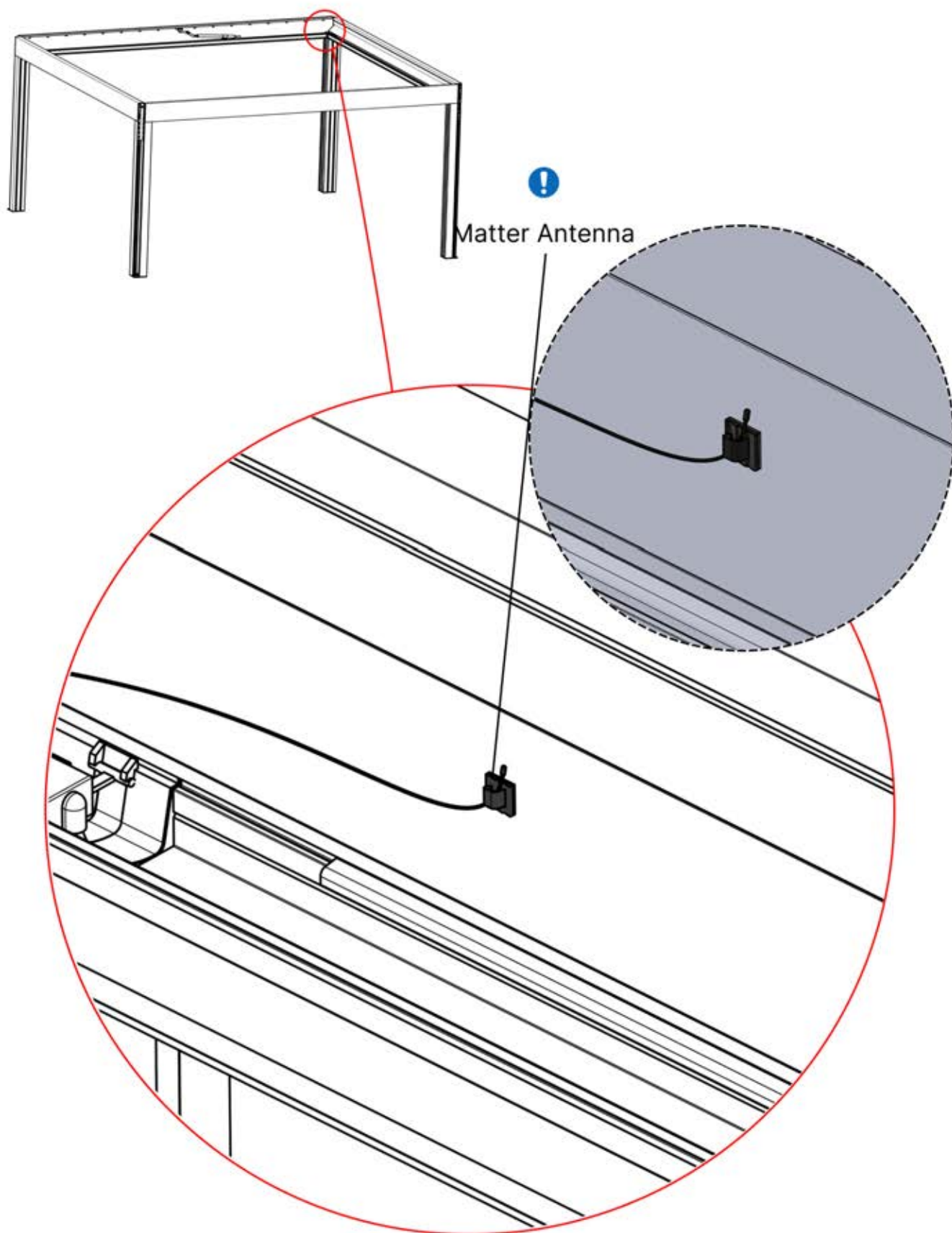


Matter Antenna



37





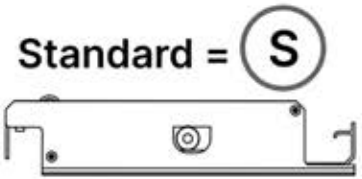


PERGOLUX PRO MAX 4x6

PN-200002366


L240
L244
L242

18x



PN-200002364


L252
L256
L254

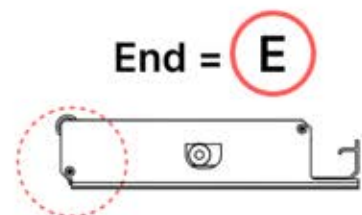
6x



PN-200002362


L264
L268
L266

1x



39

x3
PERGOLUX
PERGOLUX
PERGOLUX

5

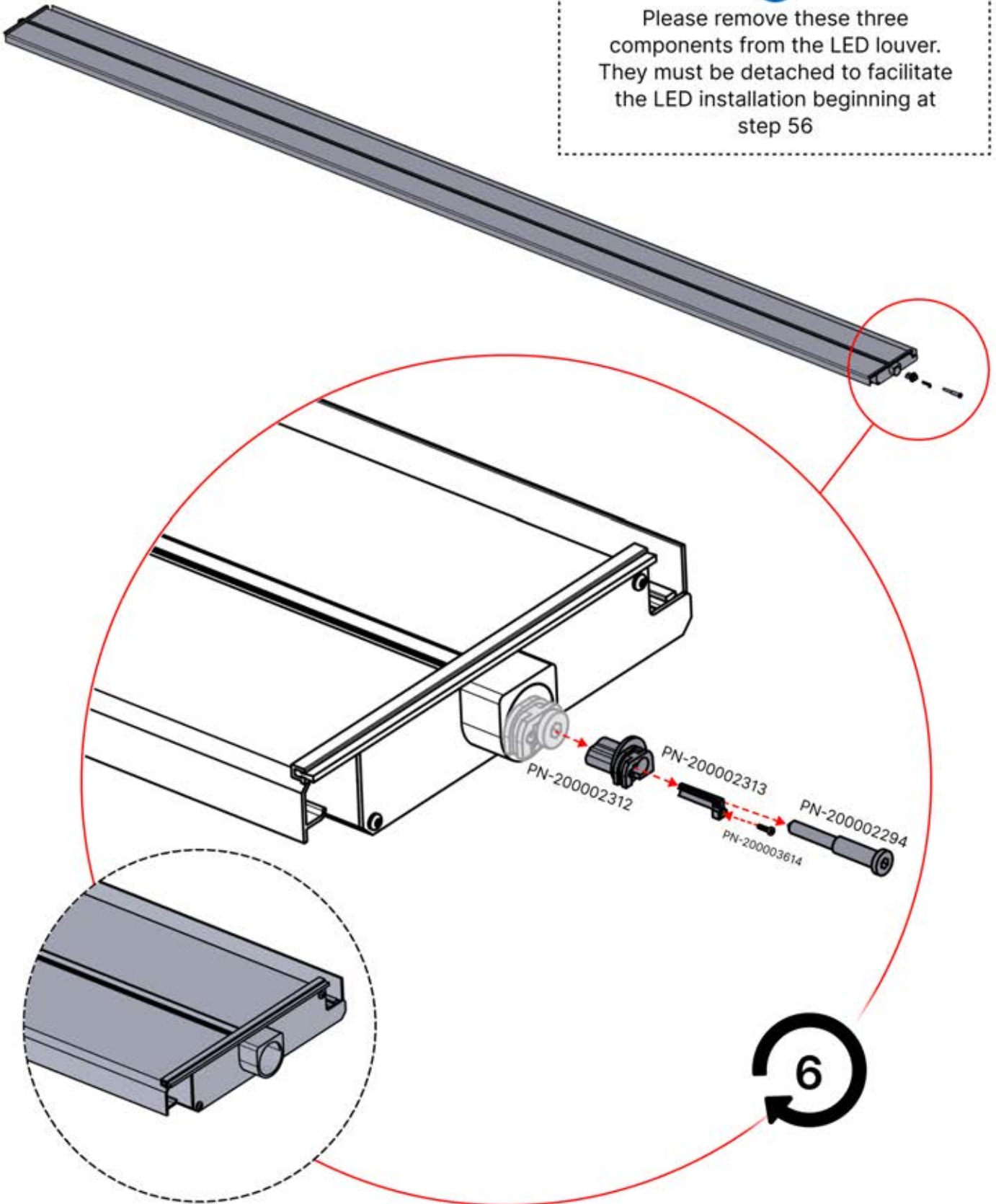
ANTHRACITE: L252
WHITE: L256
BLACK: L254

 PN-200002364
6x



!

Please remove these three components from the LED louver. They must be detached to facilitate the LED installation beginning at step 56




40


x3
PERGOLUX
PERGOLUX
PERGOLUX

5

ANTHRACITE: L252
WHITE: L256
BLACK: L254

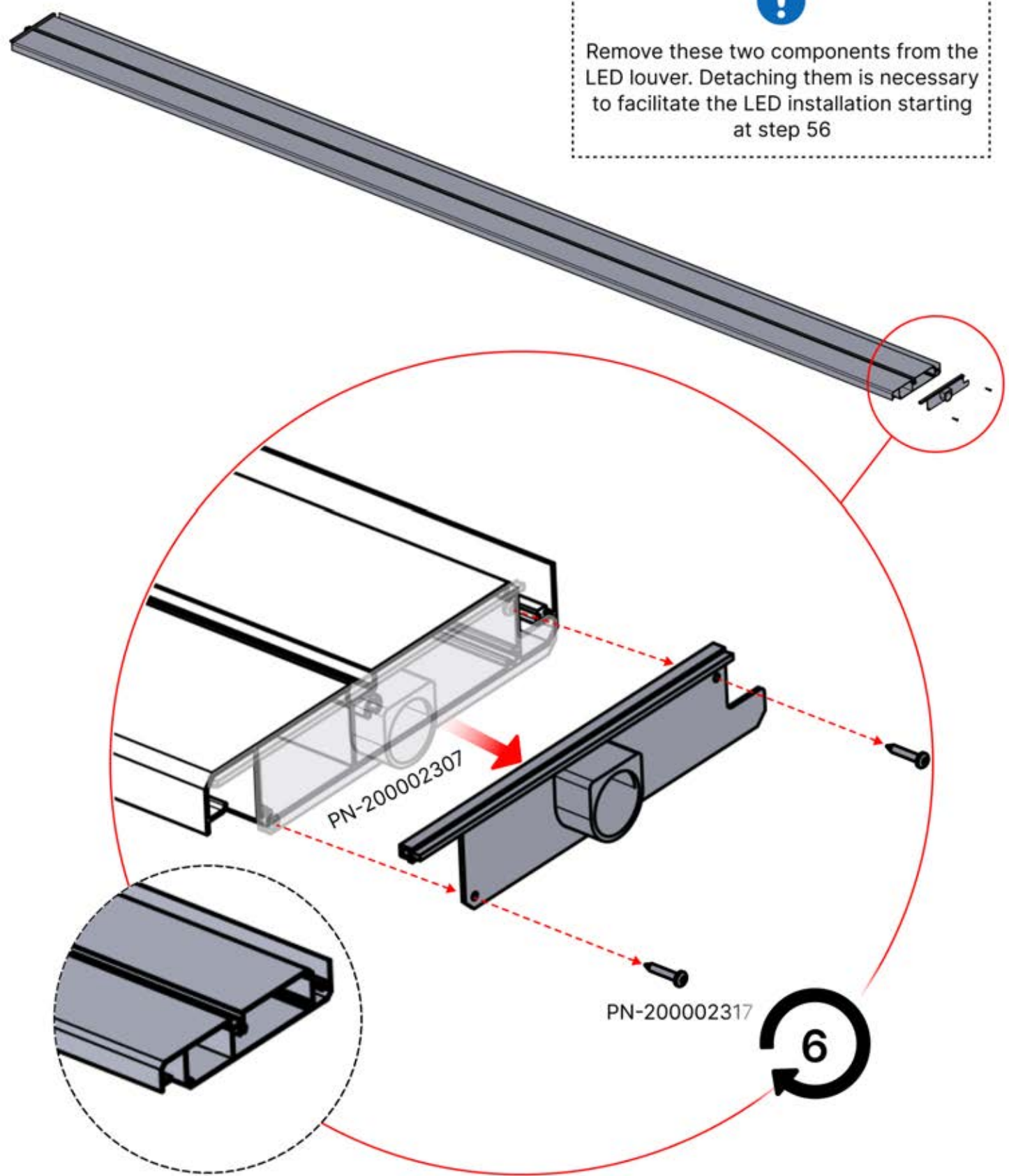


PN-200002364
6x





Remove these two components from the LED louver. Detaching them is necessary to facilitate the LED installation starting at step 56



41

x3
PERGOLUX
PERGOLUX
PERGOLUX


5

ANTHRACITE: L252
WHITE: L256
BLACK: L254

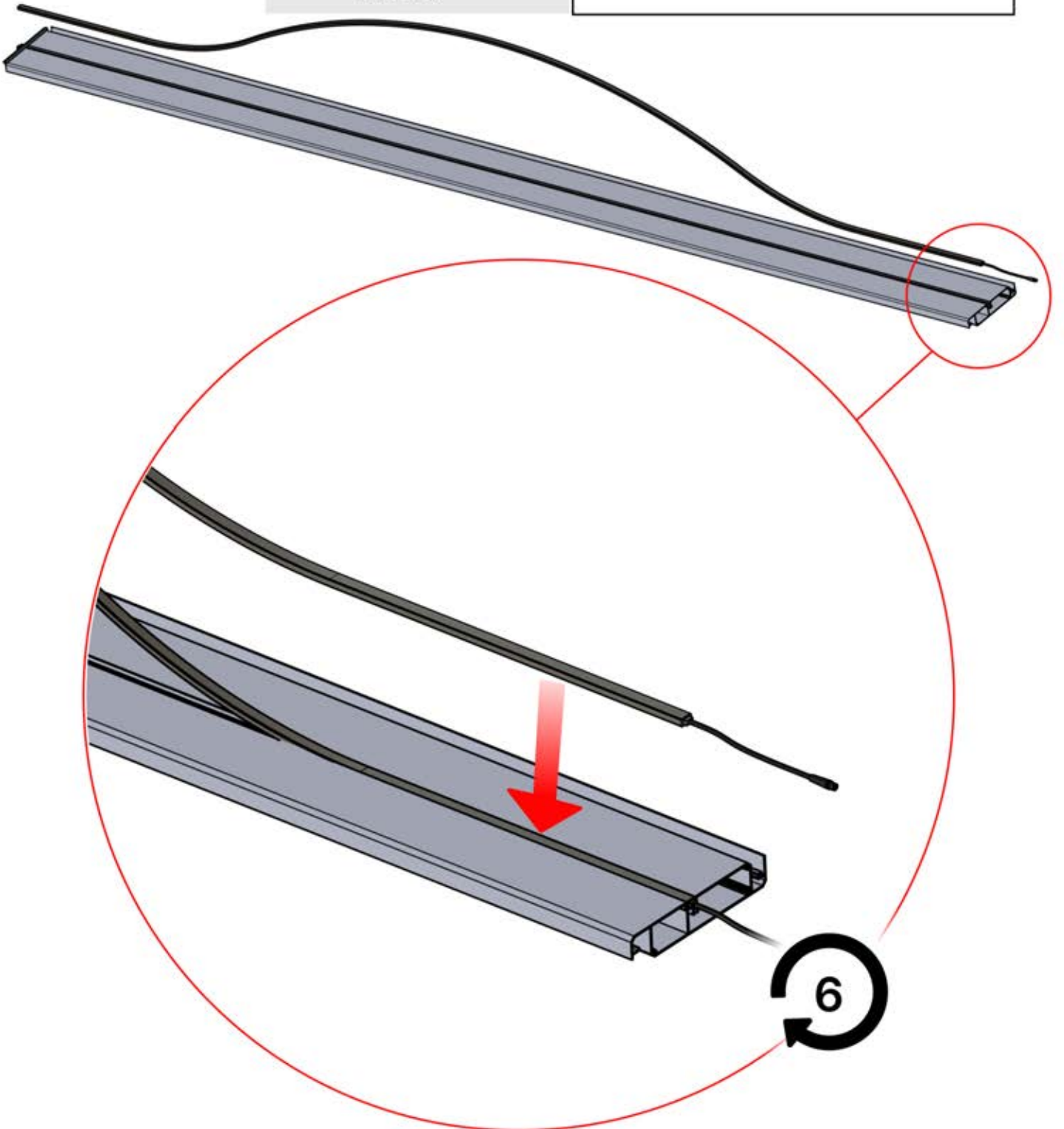
PERGOLUX

10

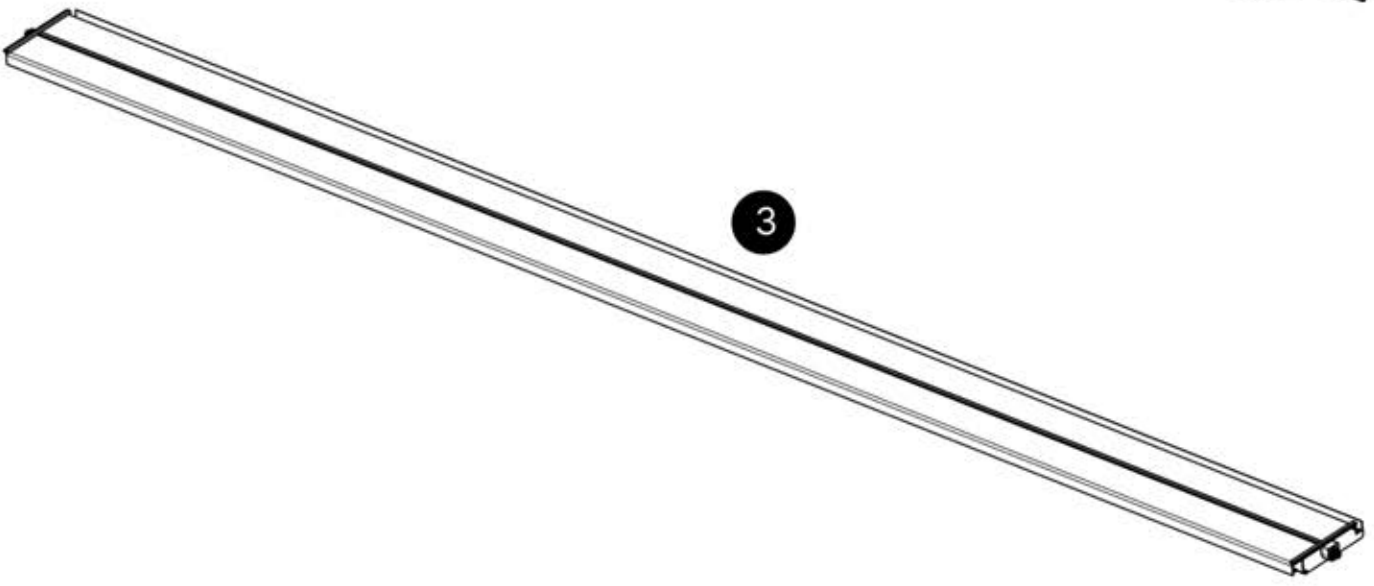
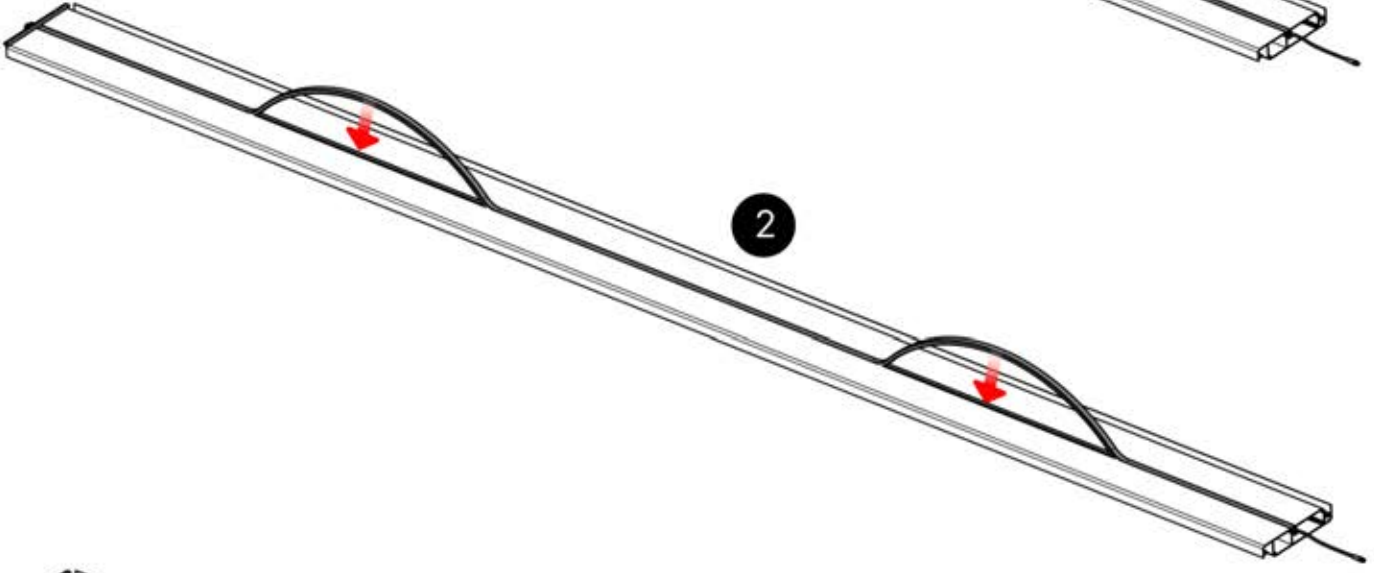
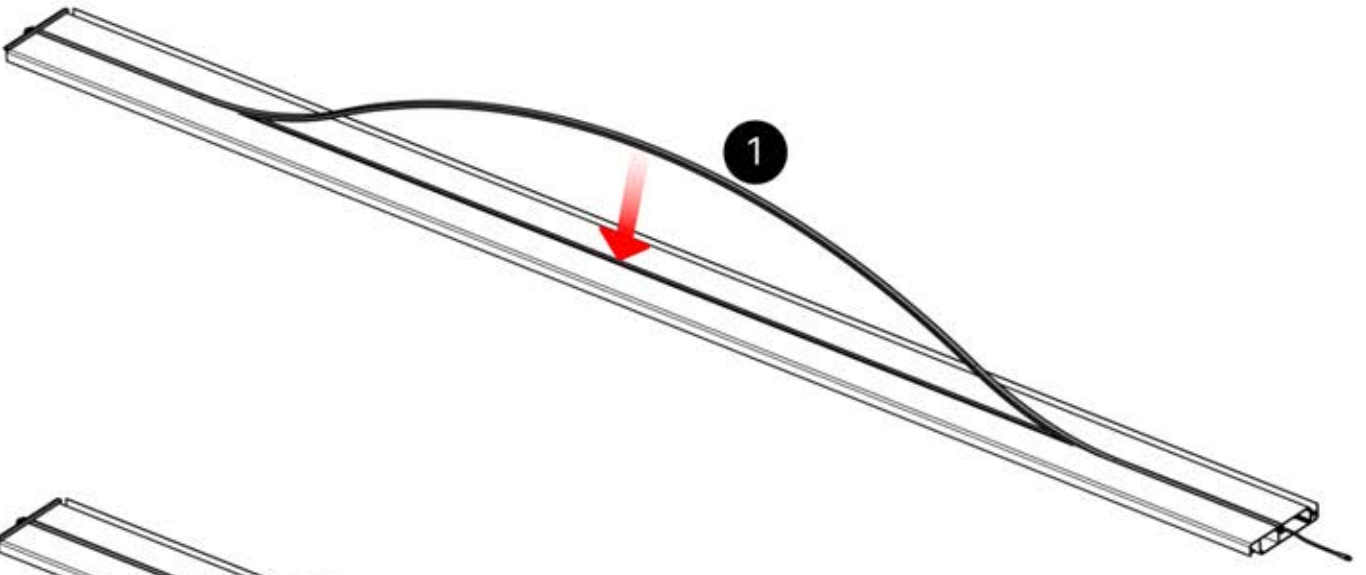
LED BOX

 PN-200002364
6x

LED STRIP
4x



42



43

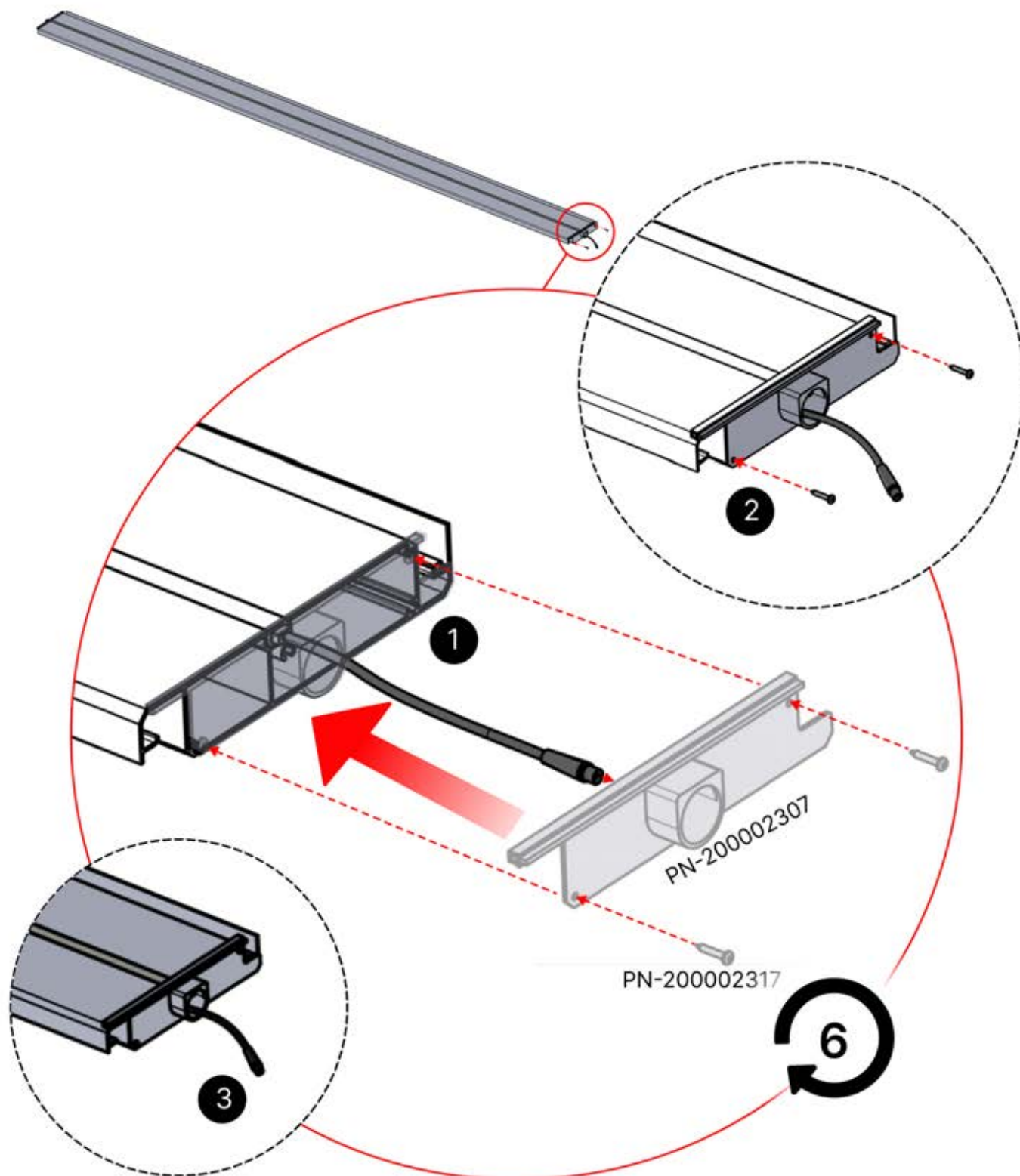
x3
PERGOLUX
PERGOLUX
PERGOLUX

5

ANTHRACITE: L252
WHITE: L256
BLACK: L254



PN-200002364
6x



44

x3
PERGOLUX
PERGOLUX
PERGOLUX

5

ANTHRACITE: L252
WHITE: L256
BLACK: L254

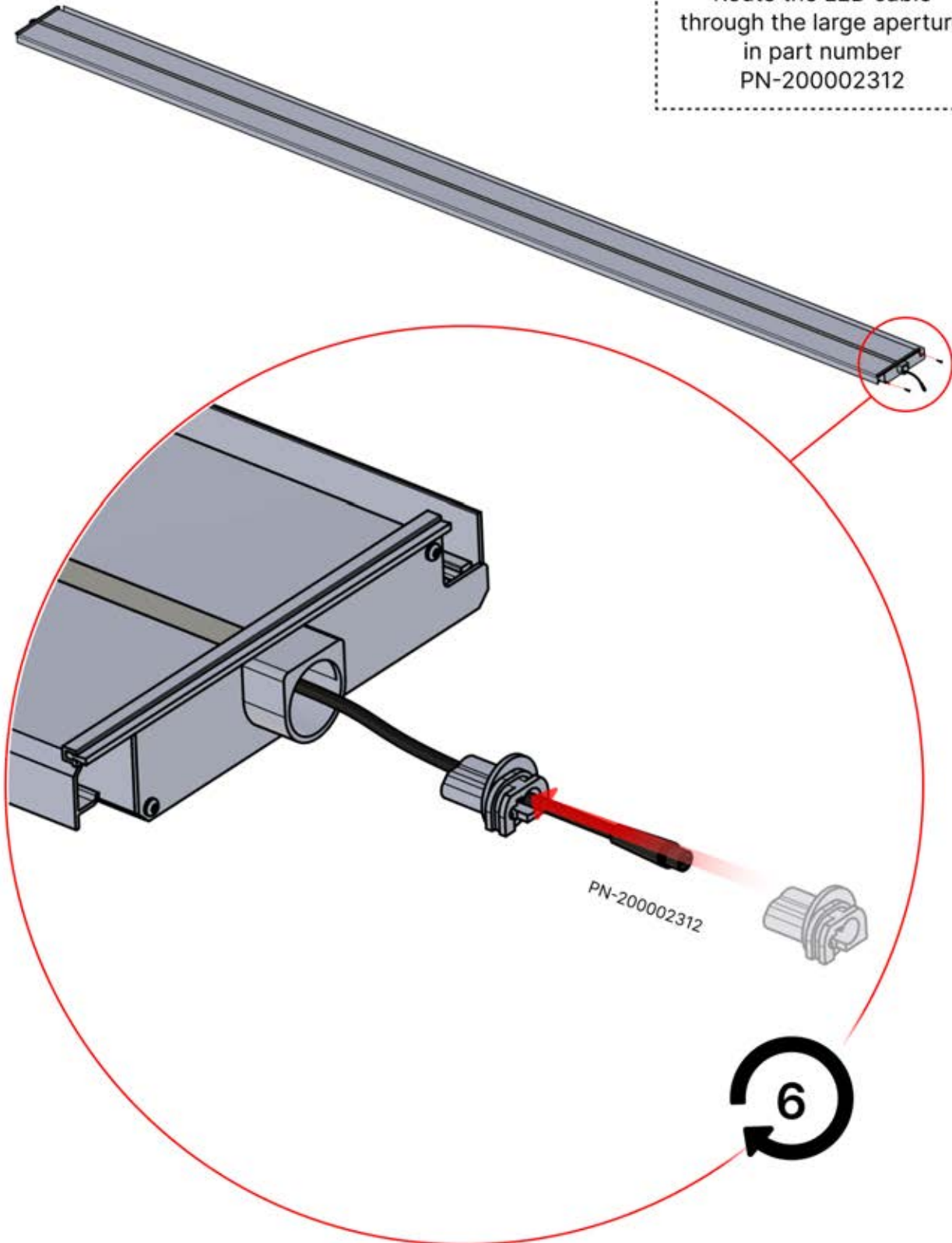


PN-200002364
6x





Route the LED cable through the large aperture in part number PN-200002312



45

x3
PERGOLUX
PERGOLUX
PERGOLUX


5

ANTHRACITE: L252
WHITE: L256
BLACK: L254

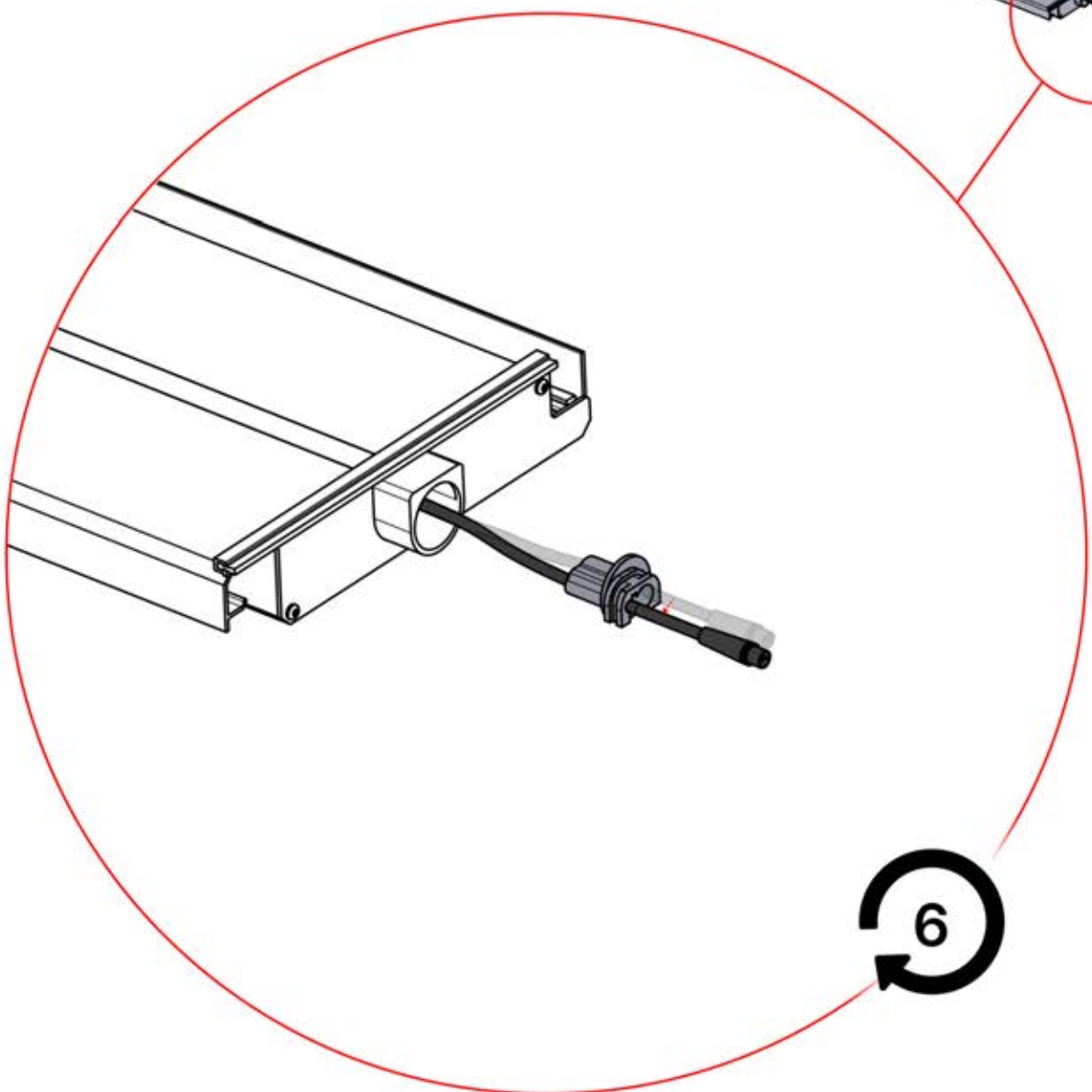
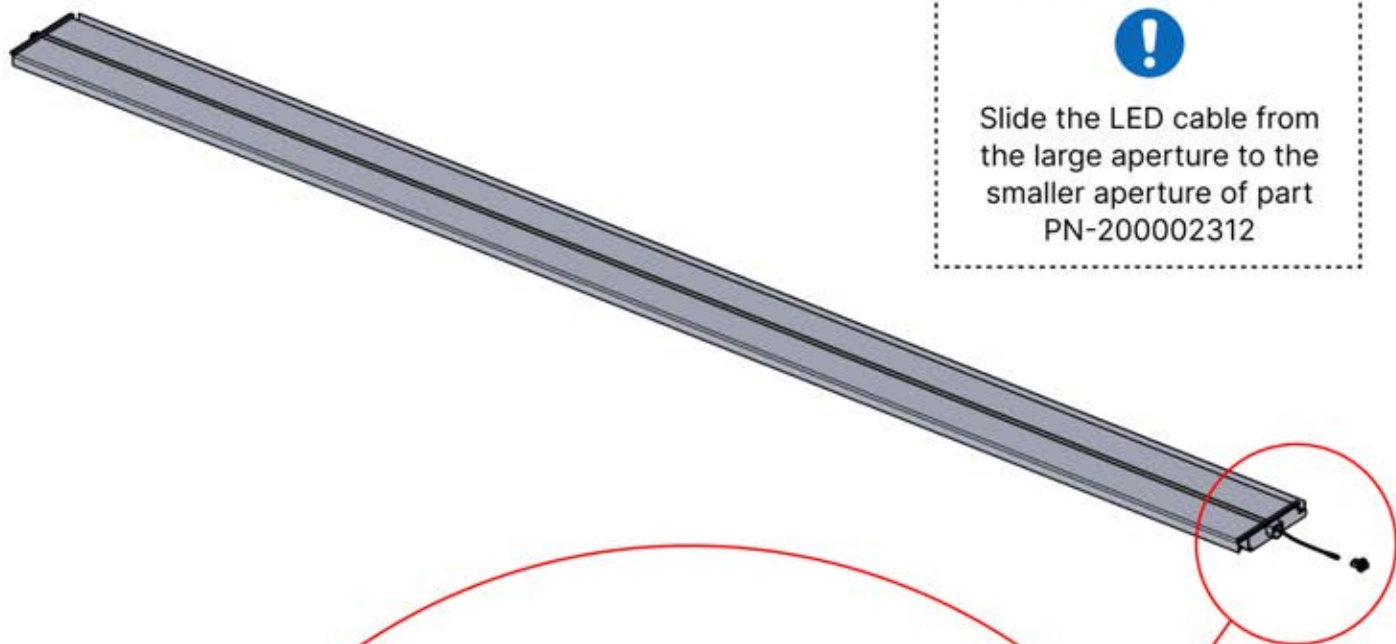


PN-200002364
6x





Slide the LED cable from the large aperture to the smaller aperture of part PN-200002312




6

46


x3
PERGOLUX
PERGOLUX
PERGOLUX

5

ANTHRACITE: L252
WHITE: L256
BLACK: L254

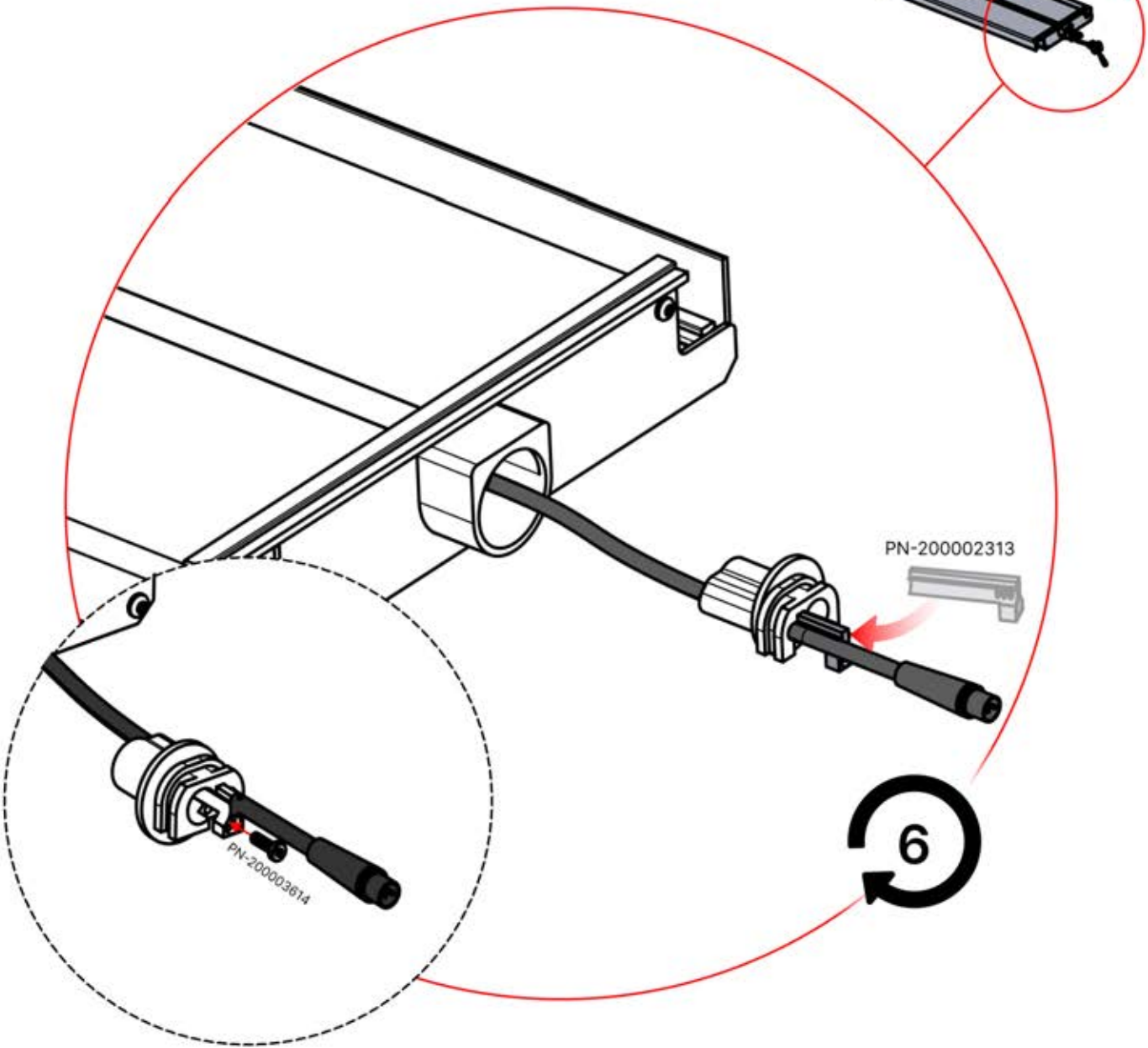


PN-200002364
6x





Use part PN-200002313 to secure the LED cable within the smaller aperture



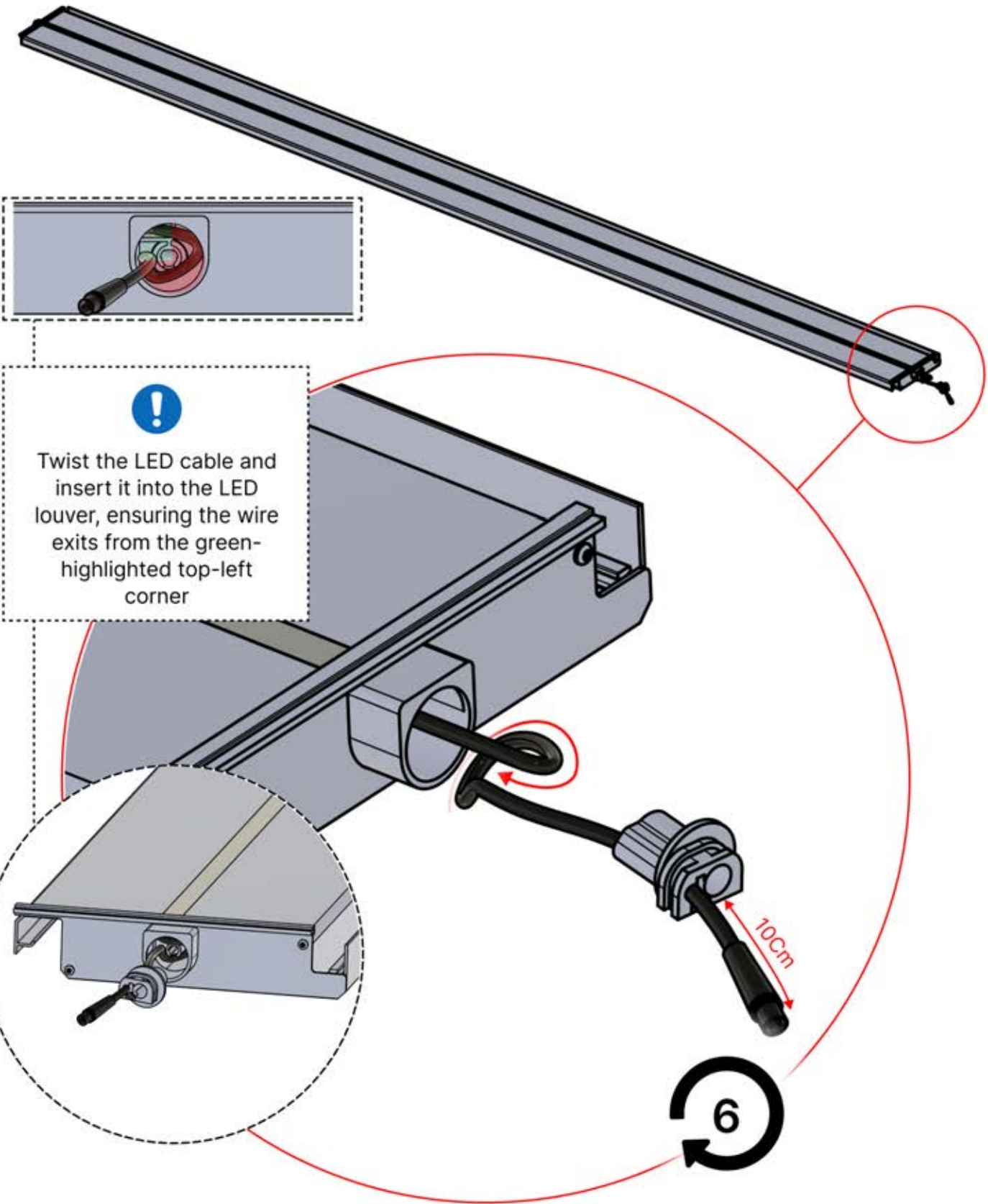
47


x3
PERGOLUX
PERGOLUX
PERGOLUX

5

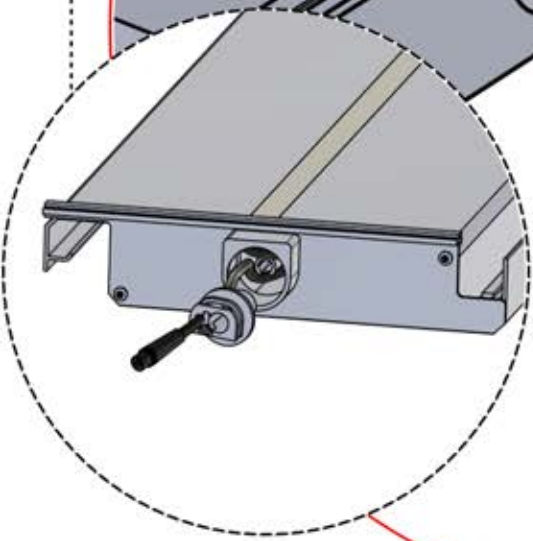
ANTHRACITE: L252
WHITE: L256
BLACK: L254

 PN-200002364
6x





Twist the LED cable and insert it into the LED louver, ensuring the wire exits from the green-highlighted top-left corner



6

48

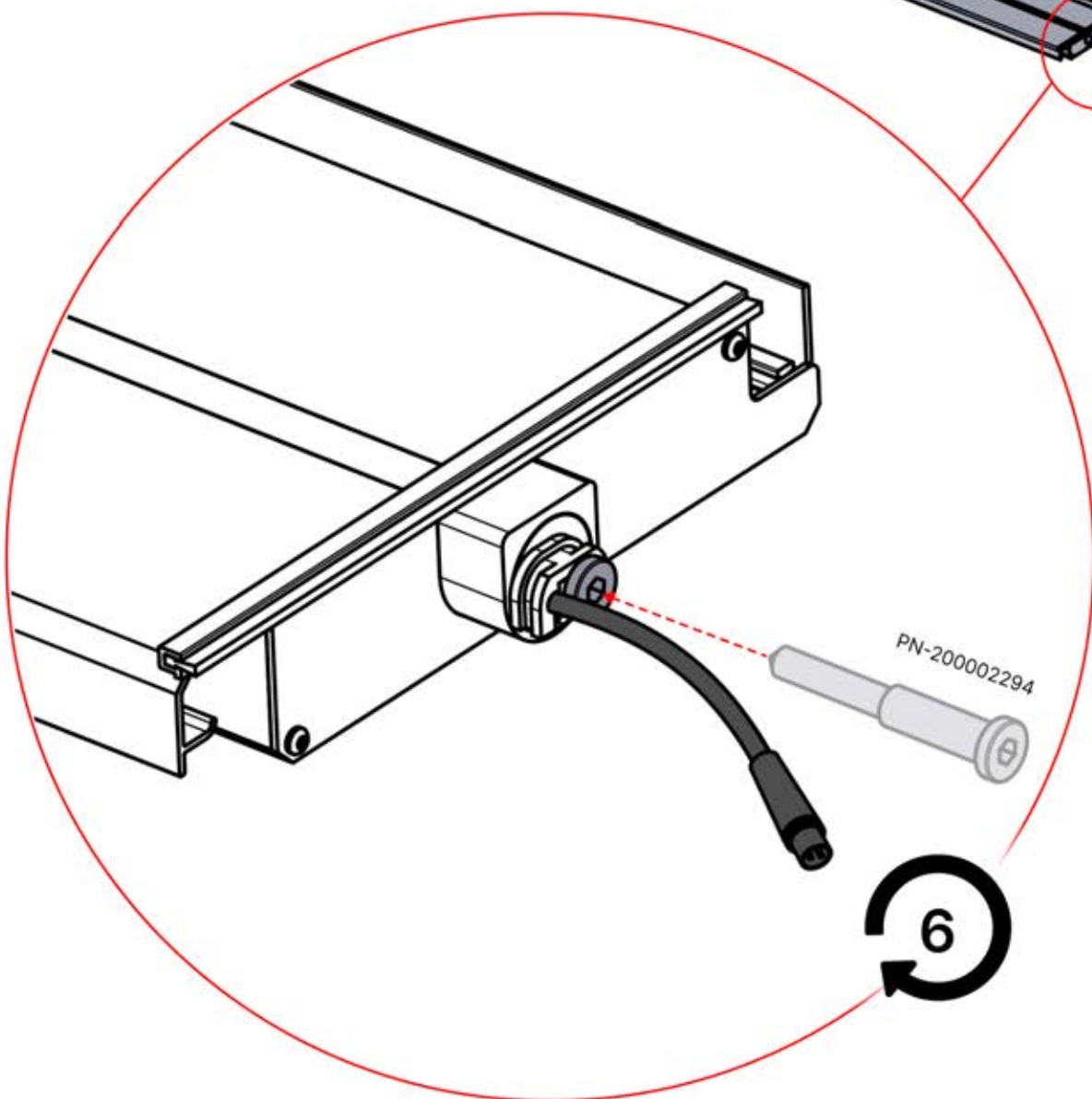
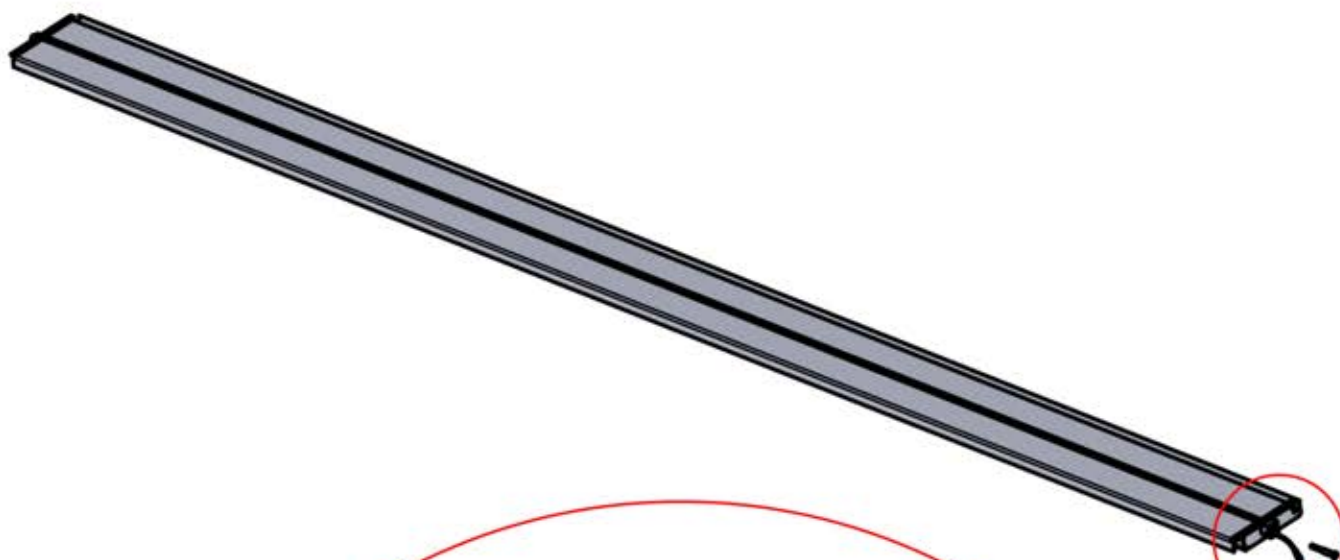

x3
PERGOLUX
PERGOLUX
PERGOLUX

5

ANTHRACITE: L252
WHITE: L256
BLACK: L254



PN-200002364
6x



50



4

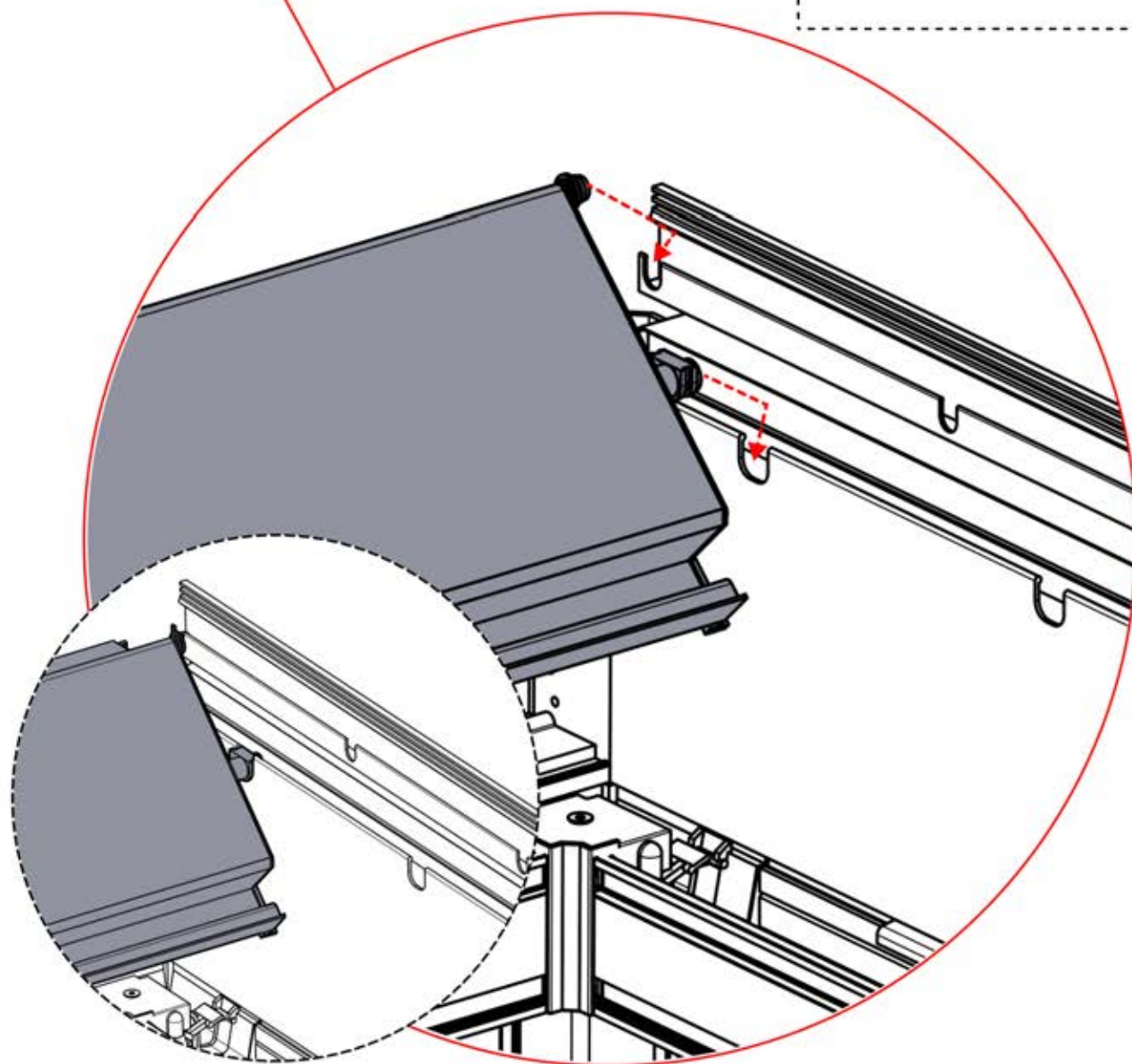
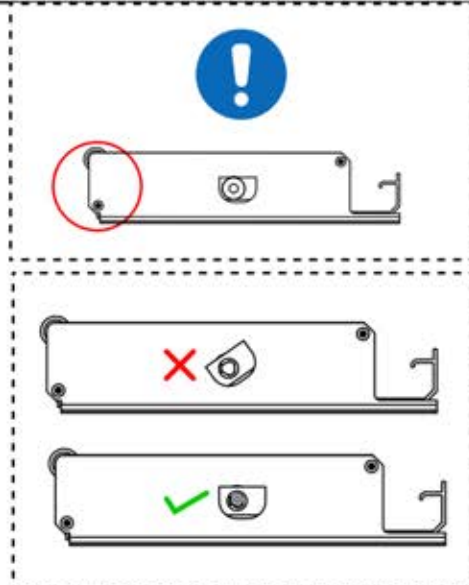
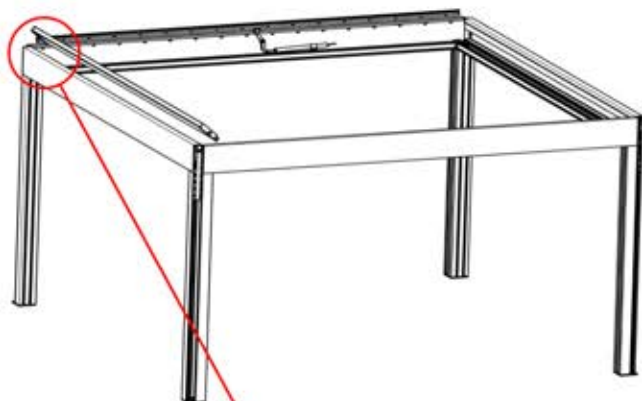
ANTHRACITE: L264
WHITE: L268
BLACK: L266

E



PN-200002362

1x



51

x7
PERGOLUX

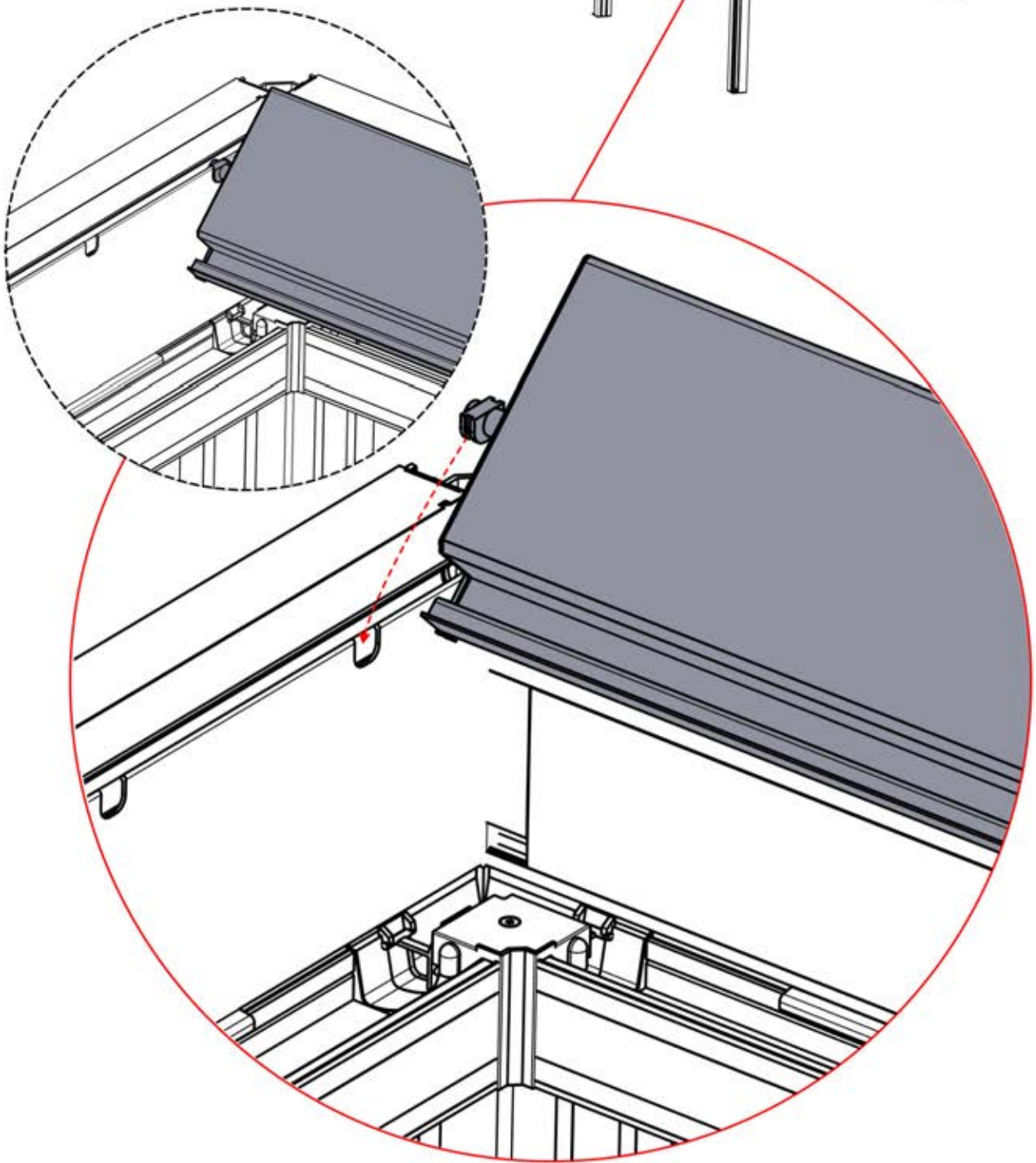
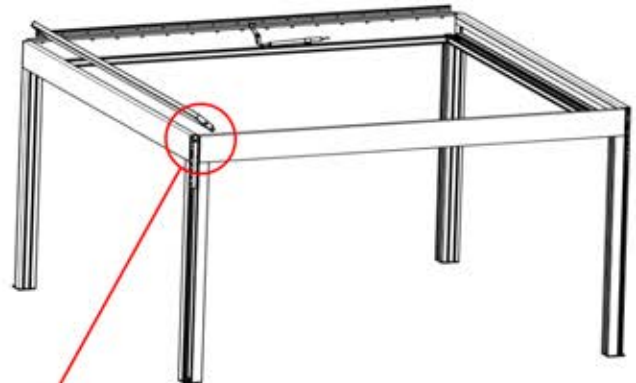
4

ANTHRACITE: L264
WHITE: L268
BLACK: L266

E

PN-200002362

1x

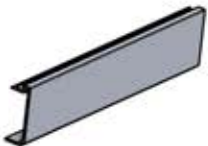


52

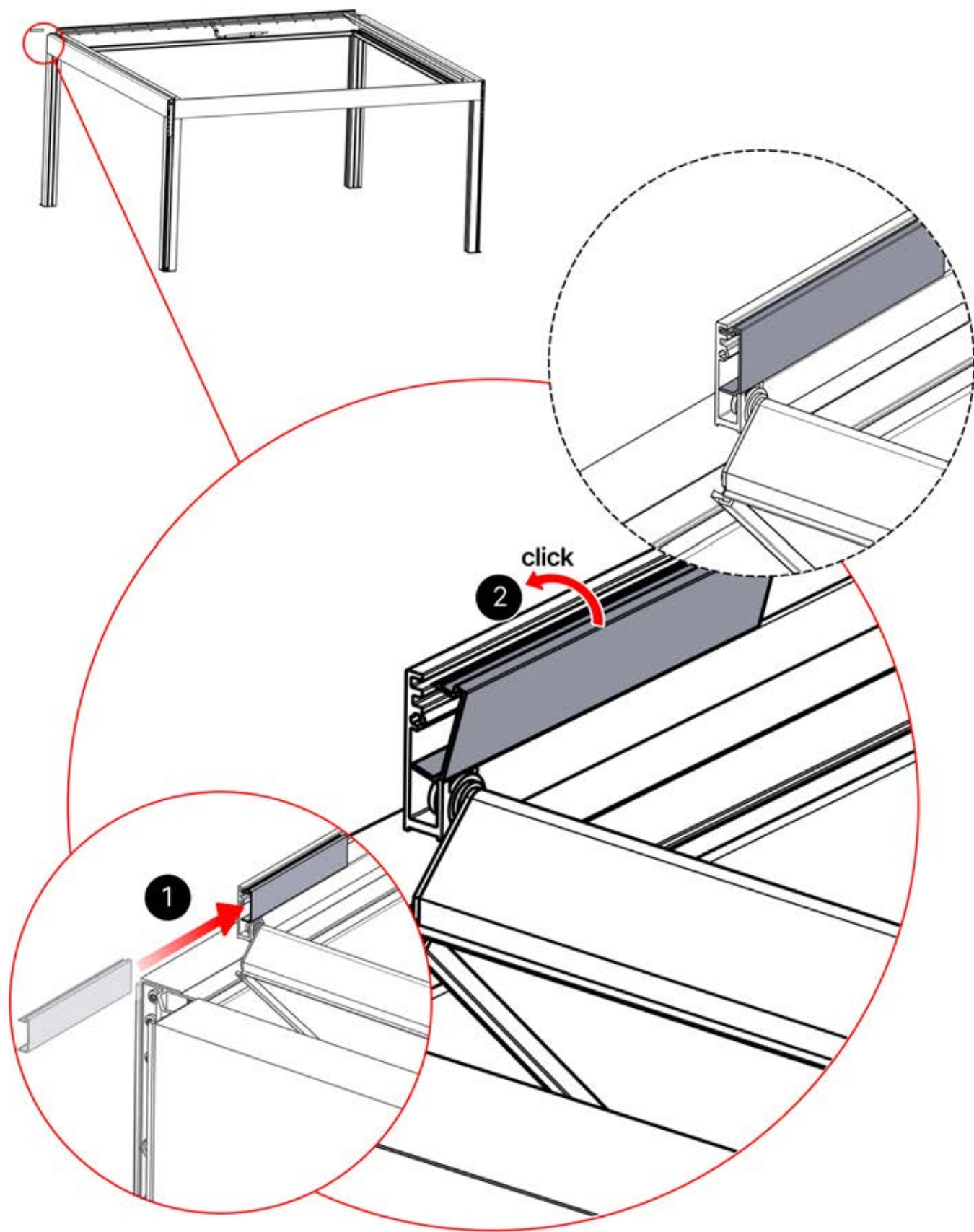
x1
FERGOLUX

6

ANTHRACITE: L240
WHITE: L244
BLACK: L242



PN-200003033
1X



53

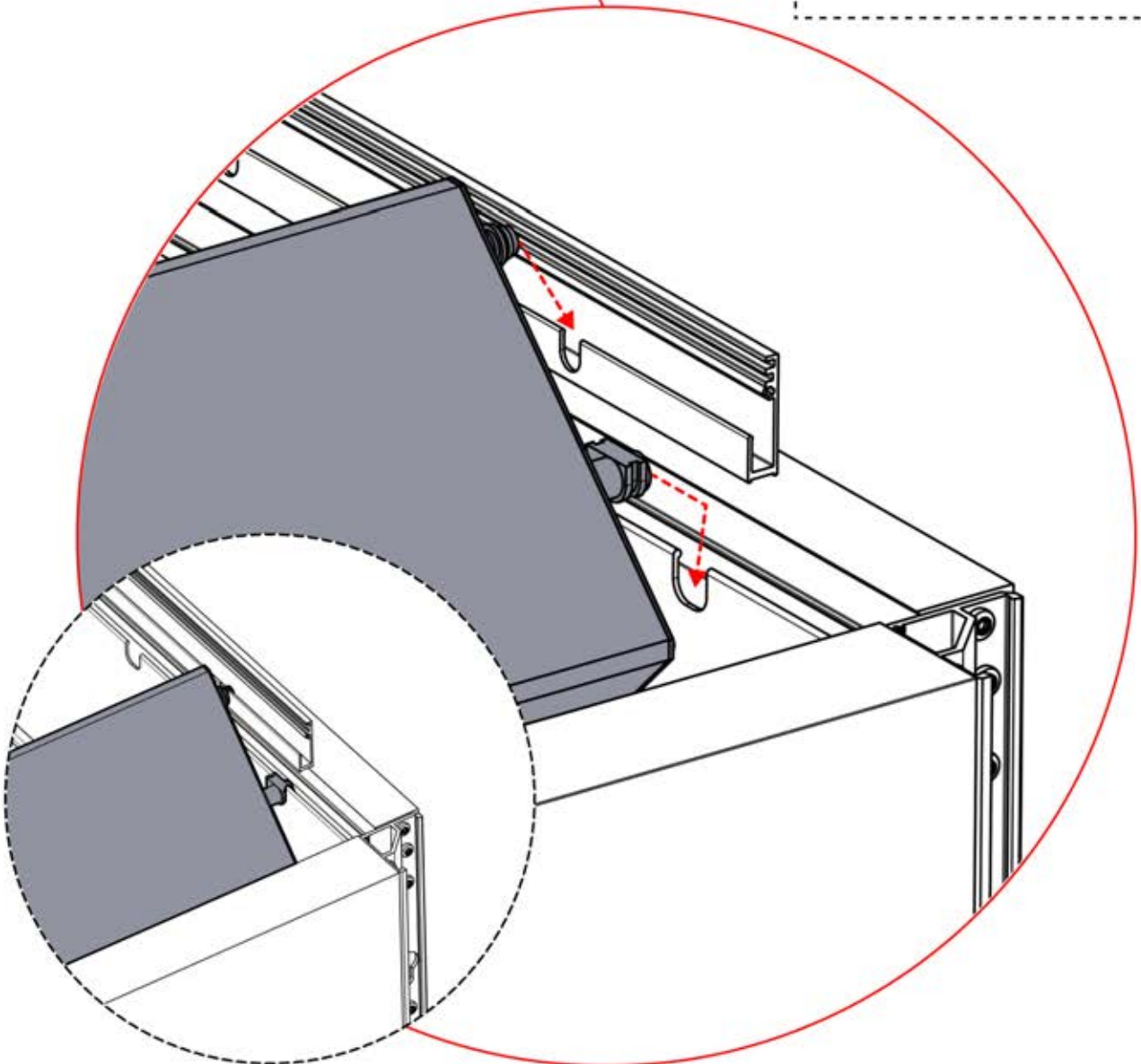
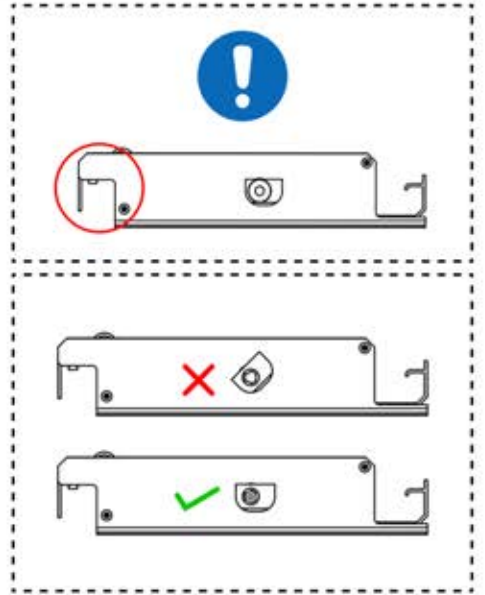
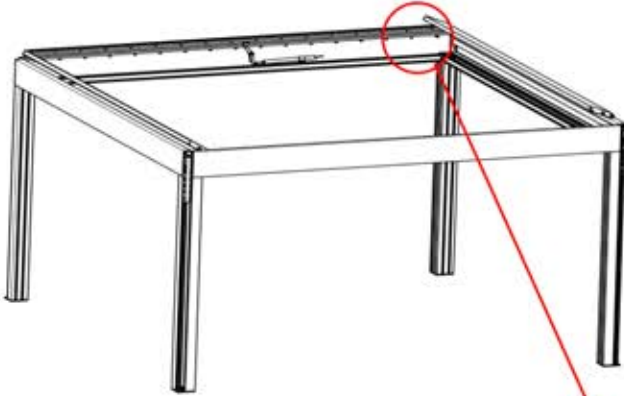
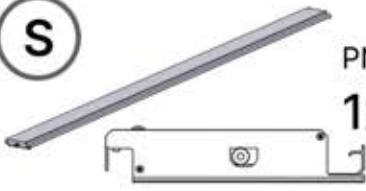
x2
FERGOLUX
FERGOLUX

6




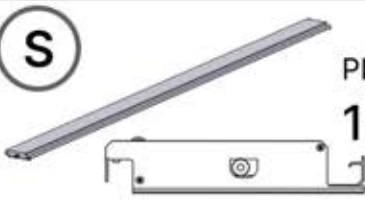
ANTHRACITE: L240
WHITE: L244
BLACK: L242

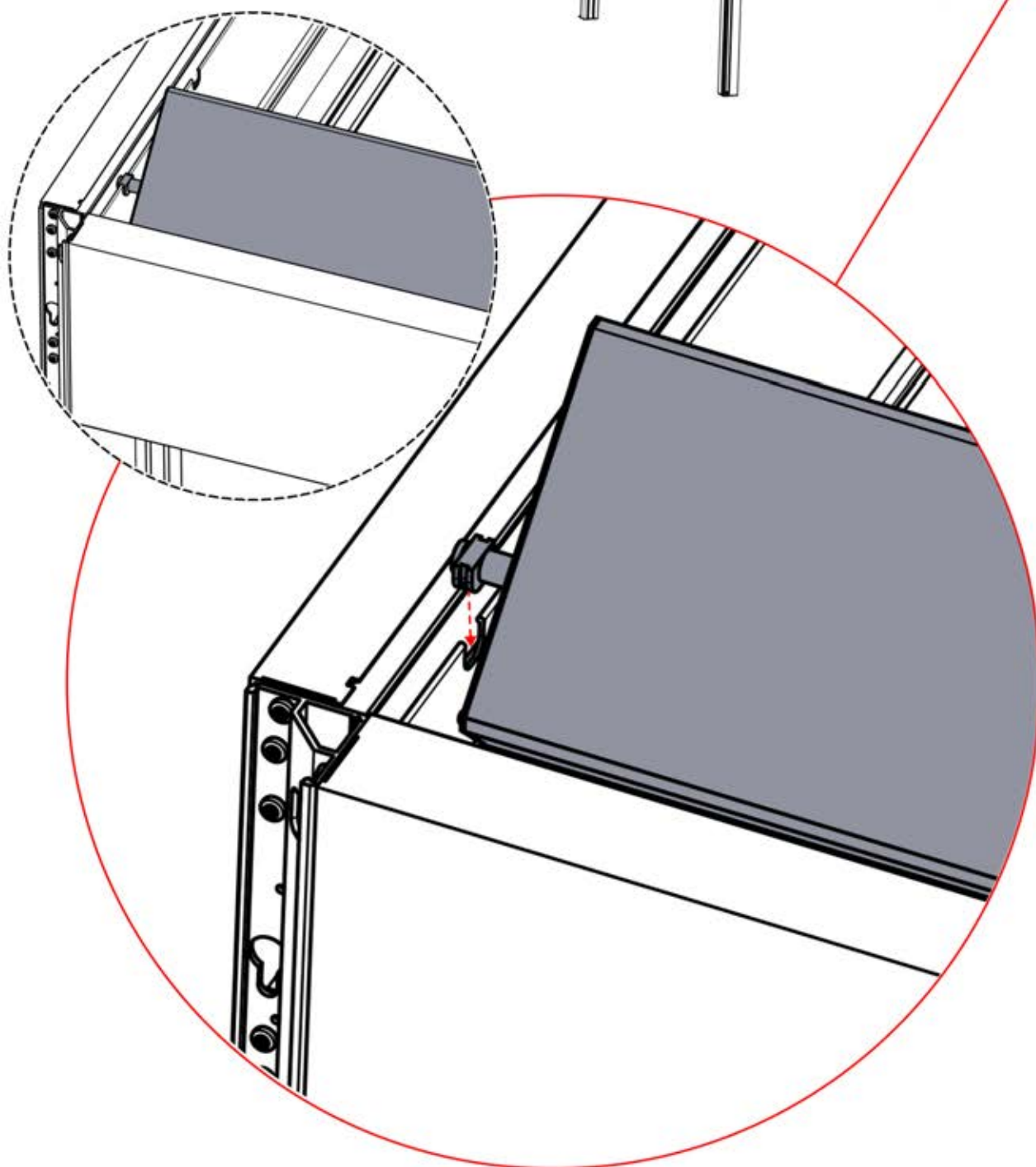
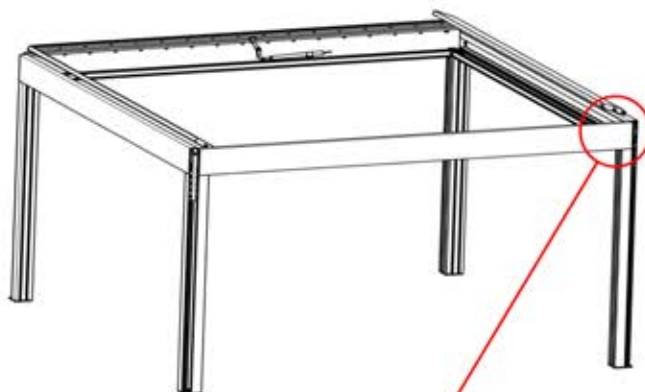
S

PN-200002366
1x



54

 <p>x2 PERGOLUX PERGOLUX</p>	 <p>6</p>	 <p>S</p>	 <p>PN-200002366 1x</p>
---	--	--	---

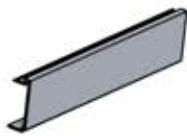


55

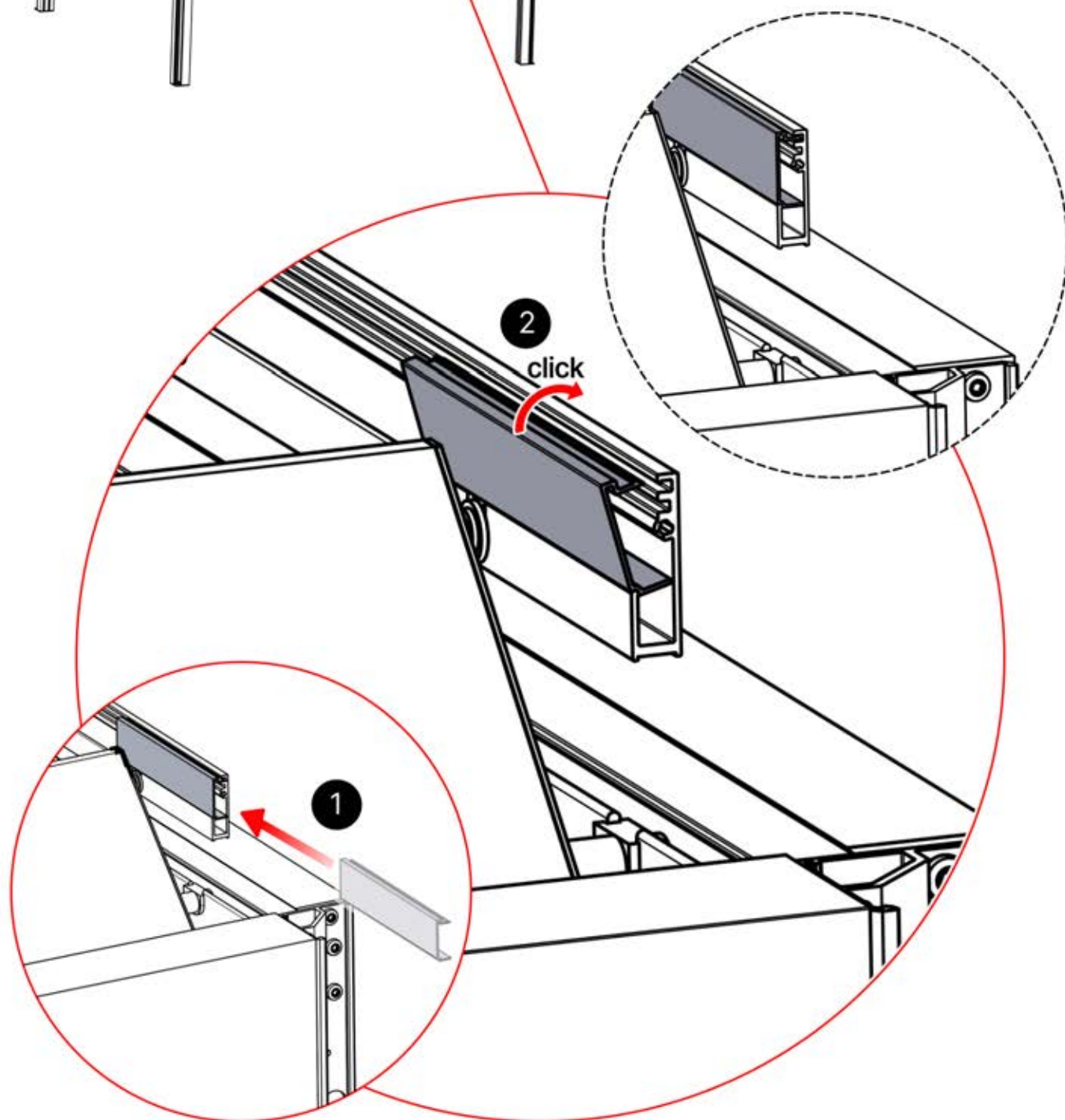
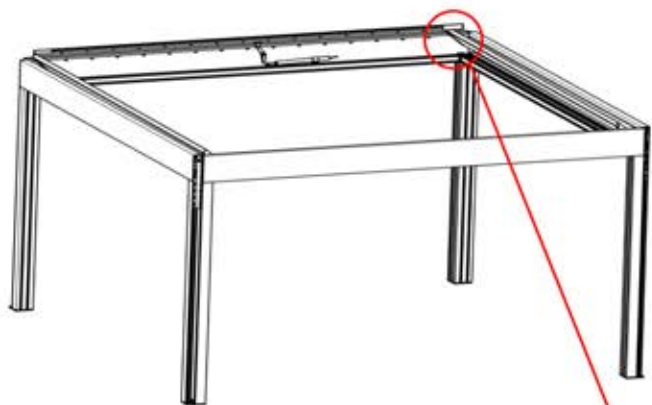
x1
FERGOLUX

6

ANTHRACITE: L240
WHITE: L244
BLACK: L242

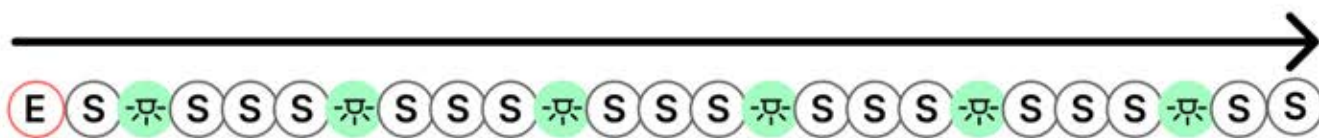
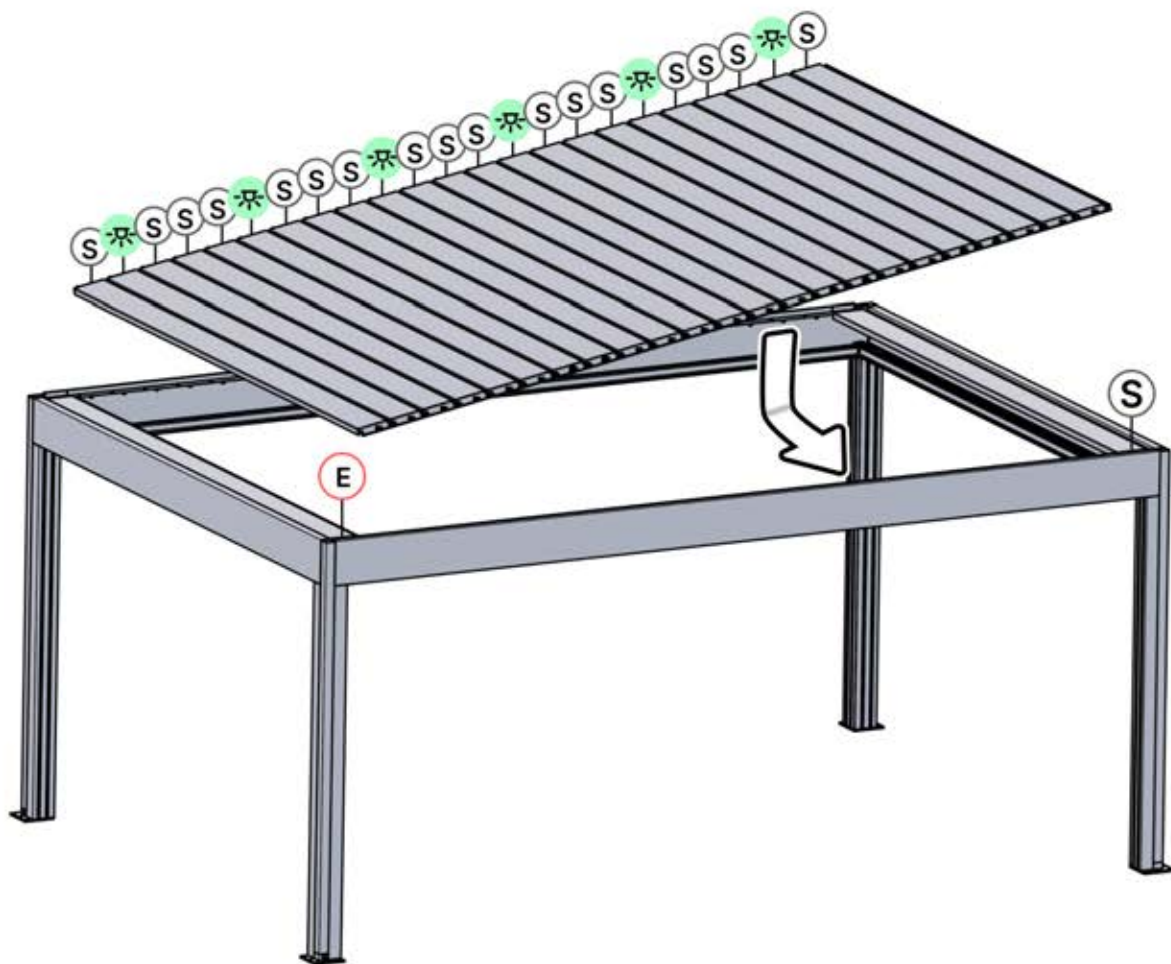


PN-200003033
1X



49

 S	 - 	 E
		
PN-200002366	PN-200002364	PN-200002362
 L240 L244 L242	 L252 L256 L254	 L264 L268 L266
18x	6x	1x



56

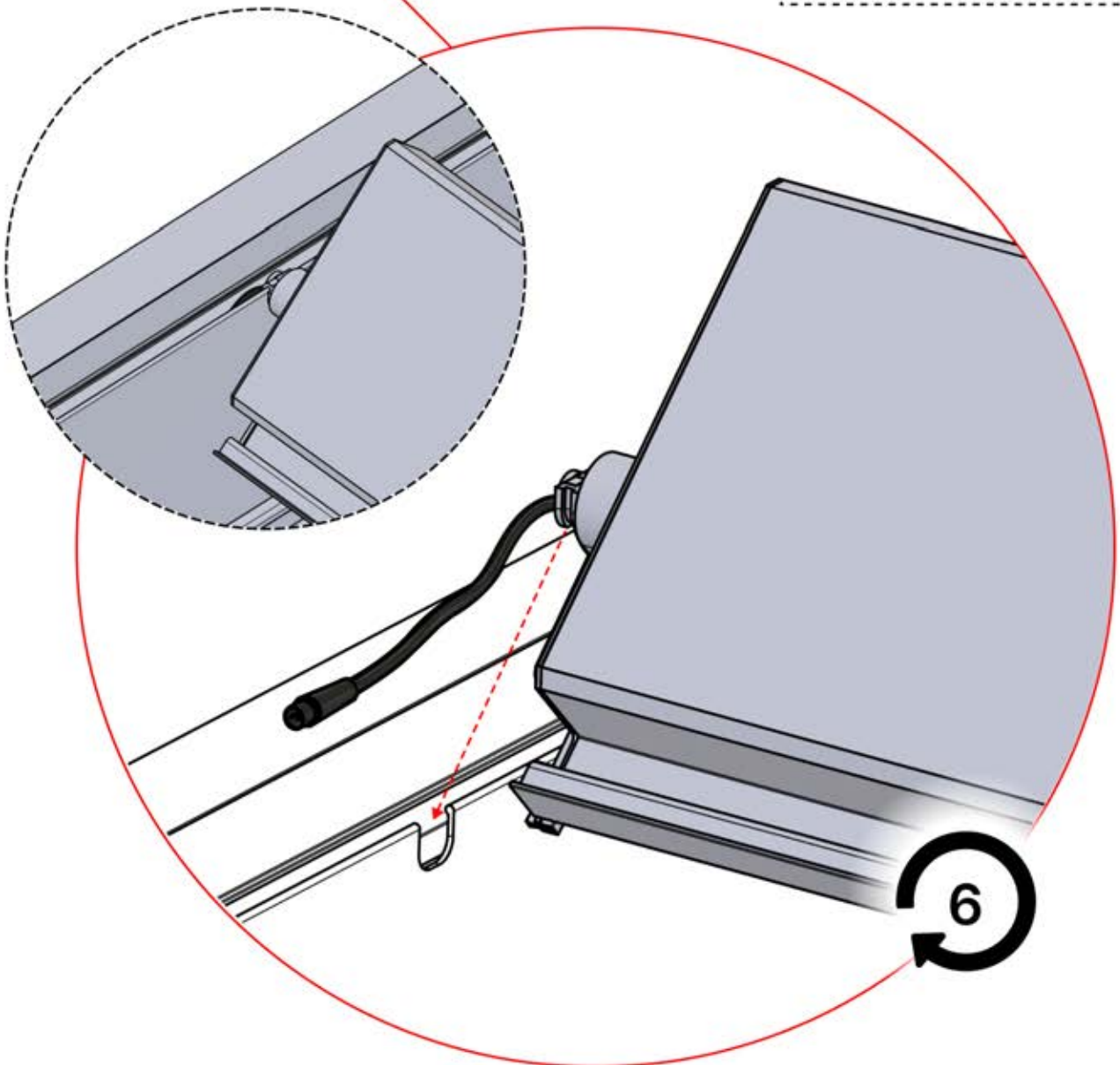
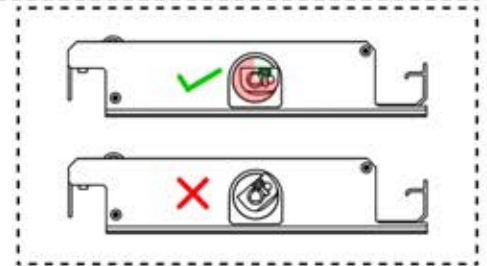
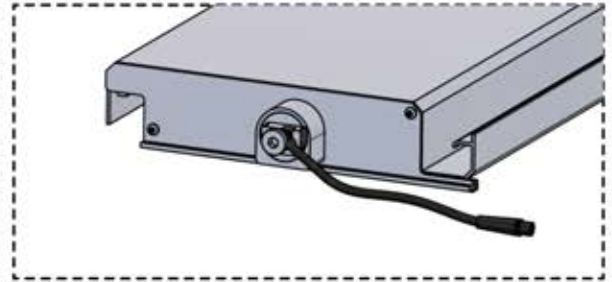
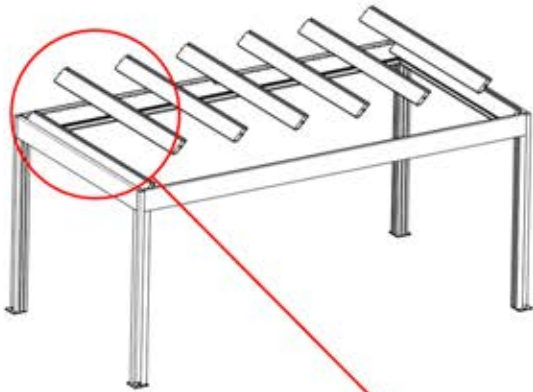
x3
PERGOLUX
PERGOLUX
PERGOLUX

5

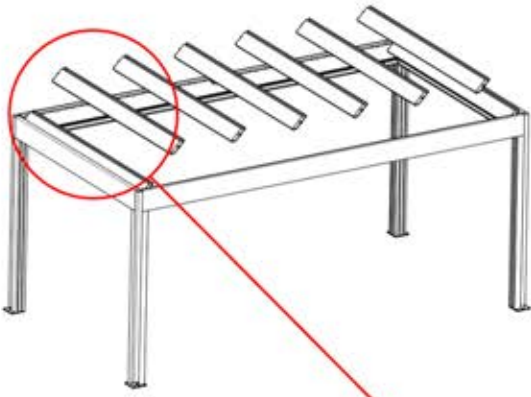
ANTHRACITE: L252
WHITE: L256
BLACK: L254



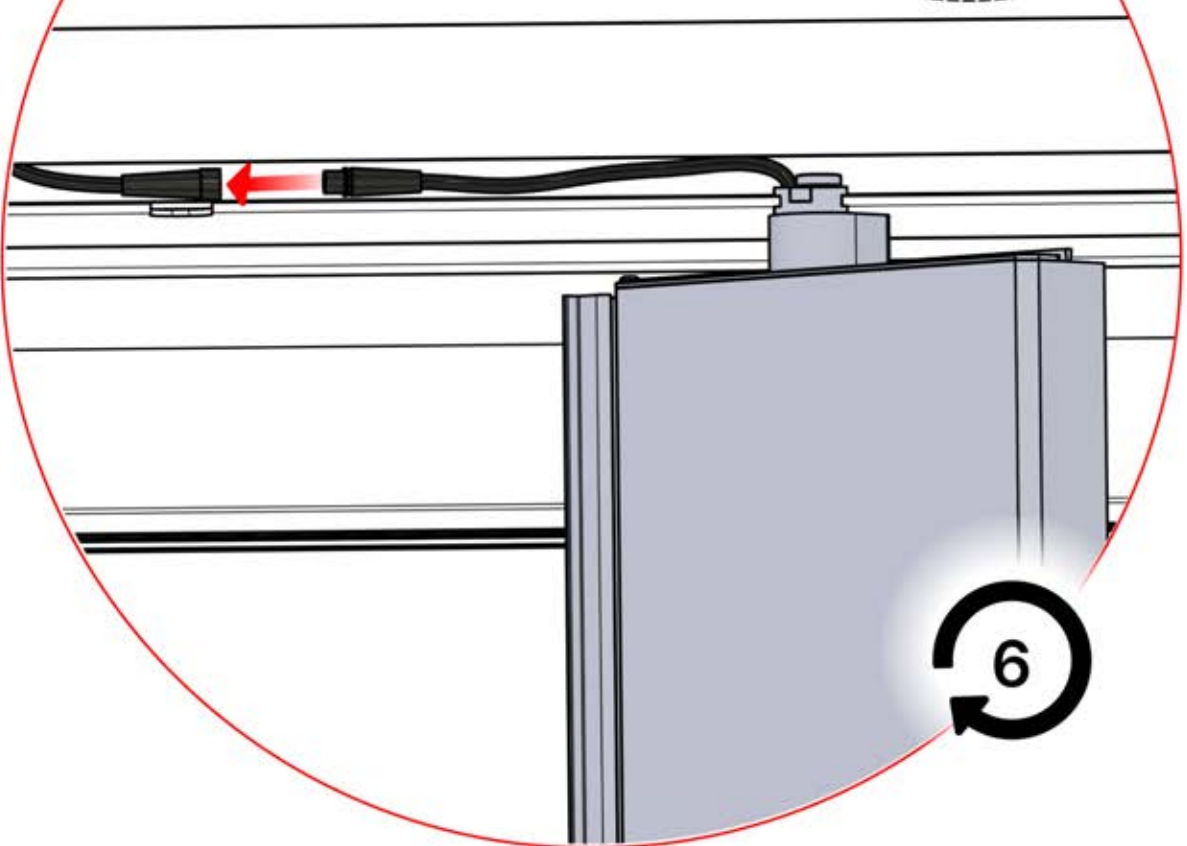
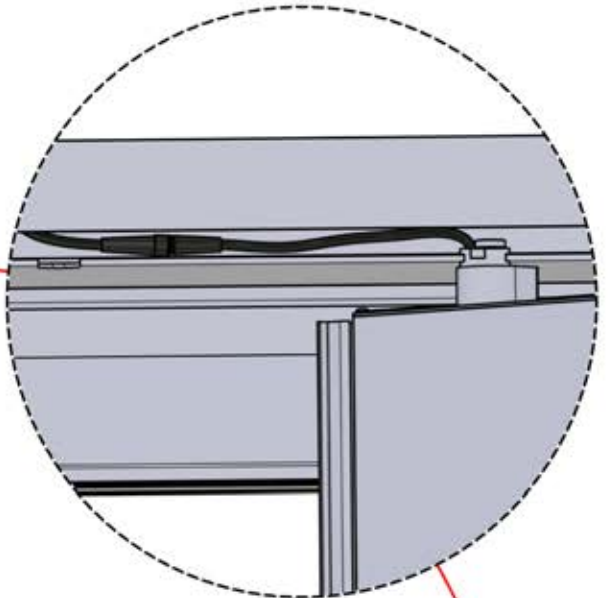
PN-200002364
6x



57




Connect the LED
cable to the 4-pin LED
wire



58

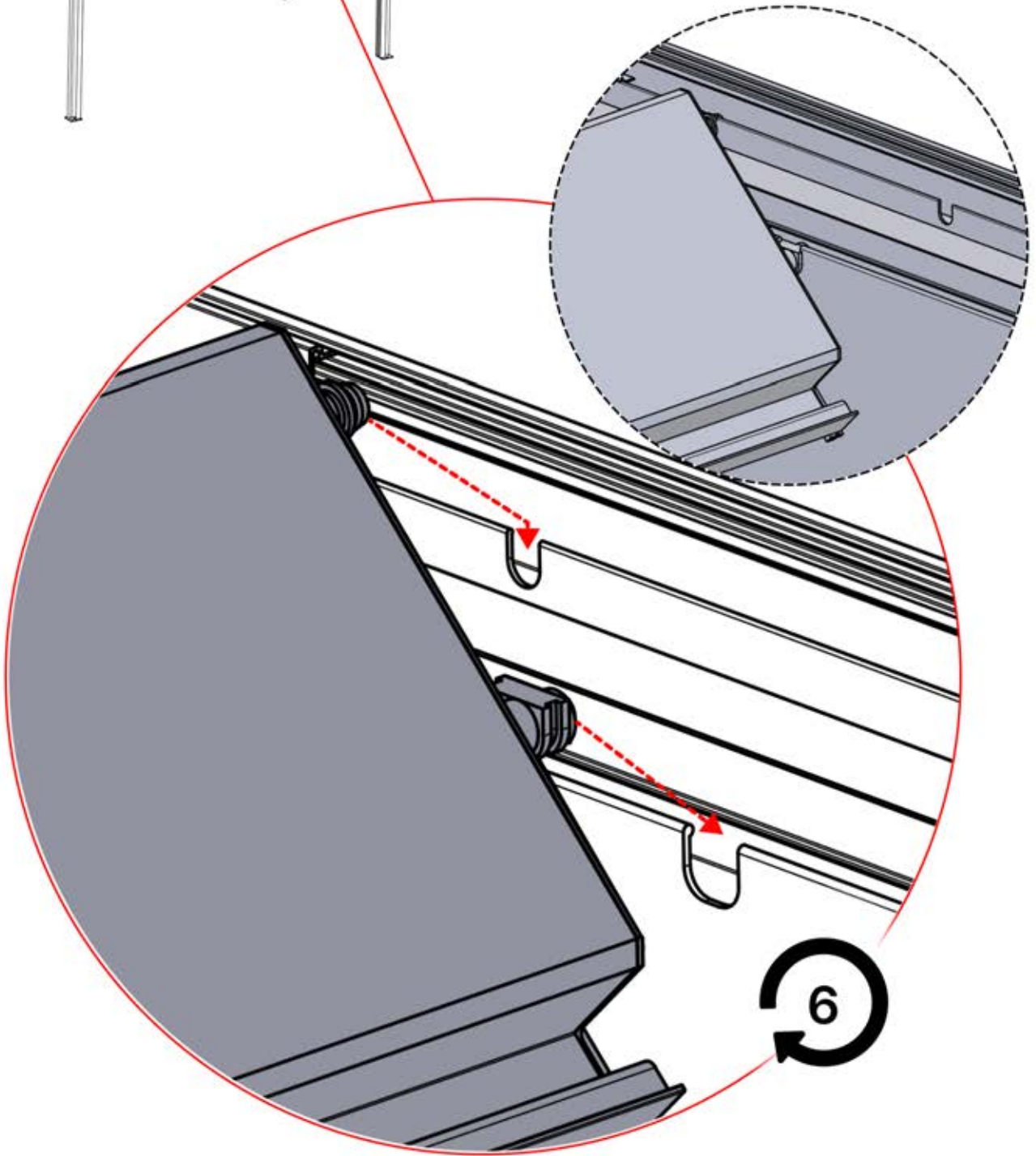
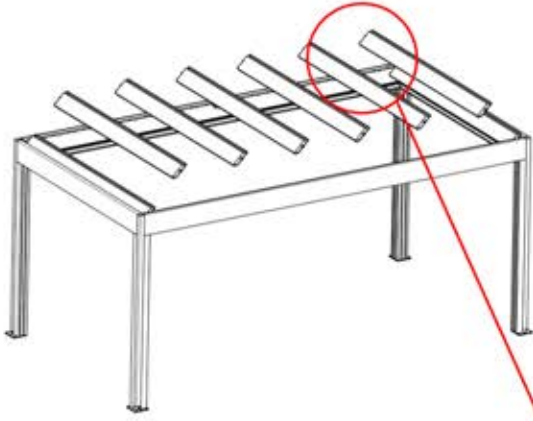
x3
PERGOLUX
PERGOLUX
PERGOLUX

5


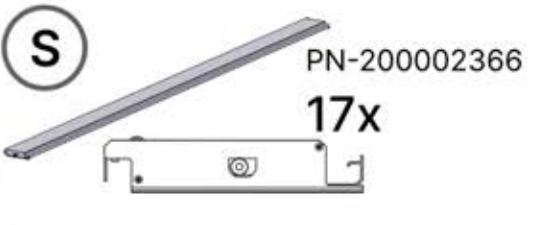
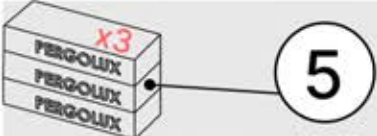
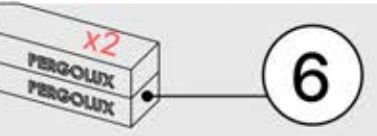
ANTHRACITE: L252
WHITE: L256
BLACK: L254

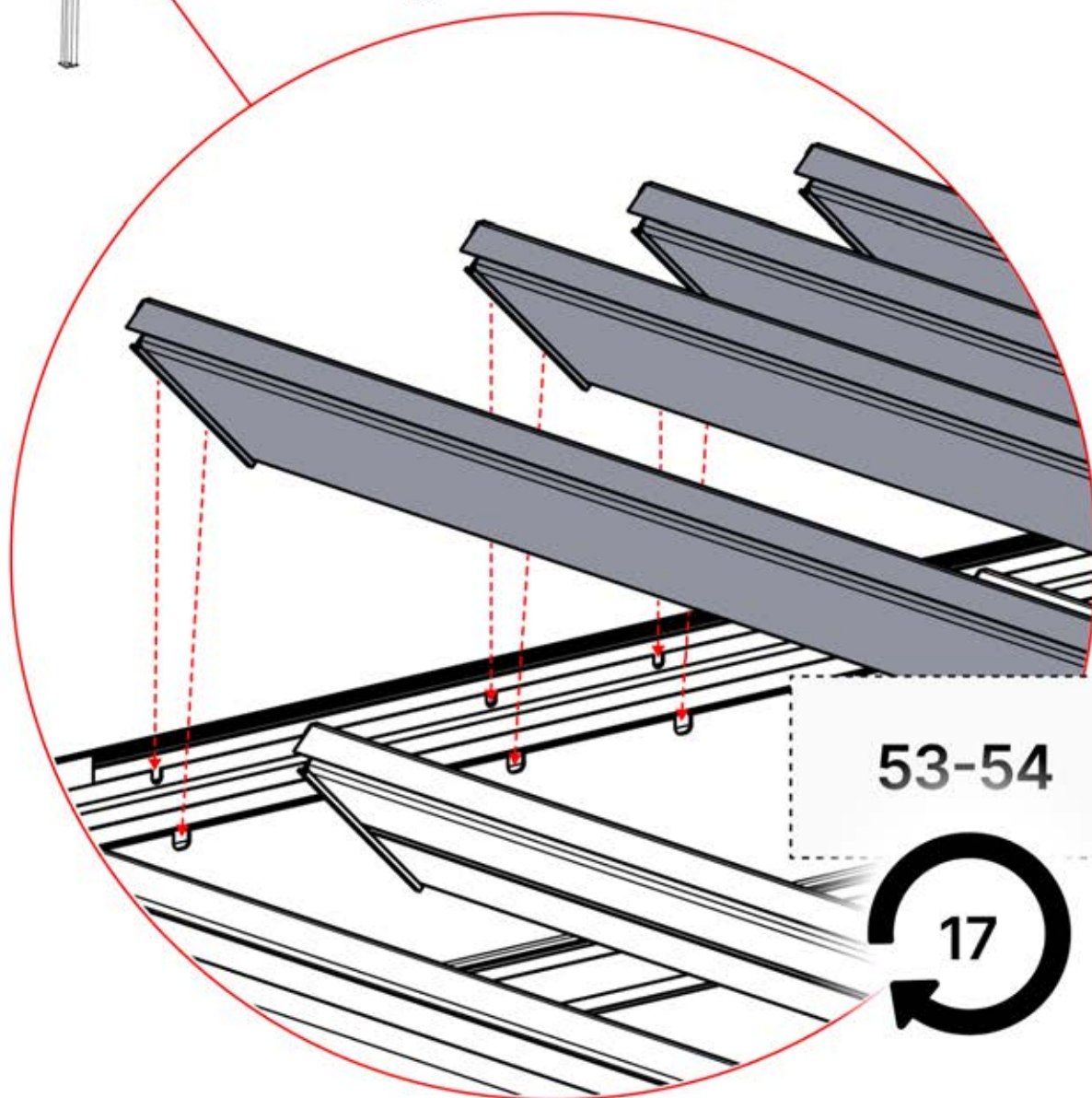
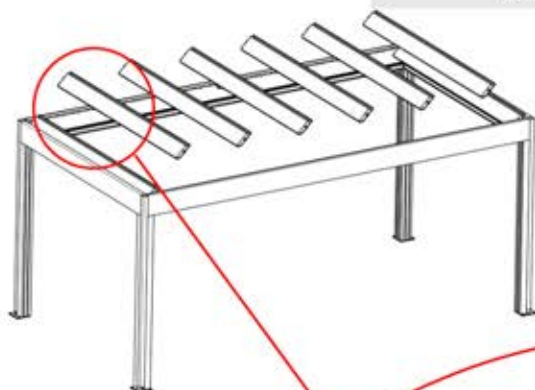


PN-200002364
6x



59

 <p>ANTHRACITE: L264 WHITE: L268 BLACK: L266</p>	 <p>PN-200002366 17x</p>
 <p>ANTHRACITE: L252 WHITE: L256 BLACK: L254</p>	 <p>ANTHRACITE: L240 WHITE: L244 BLACK: L242</p>



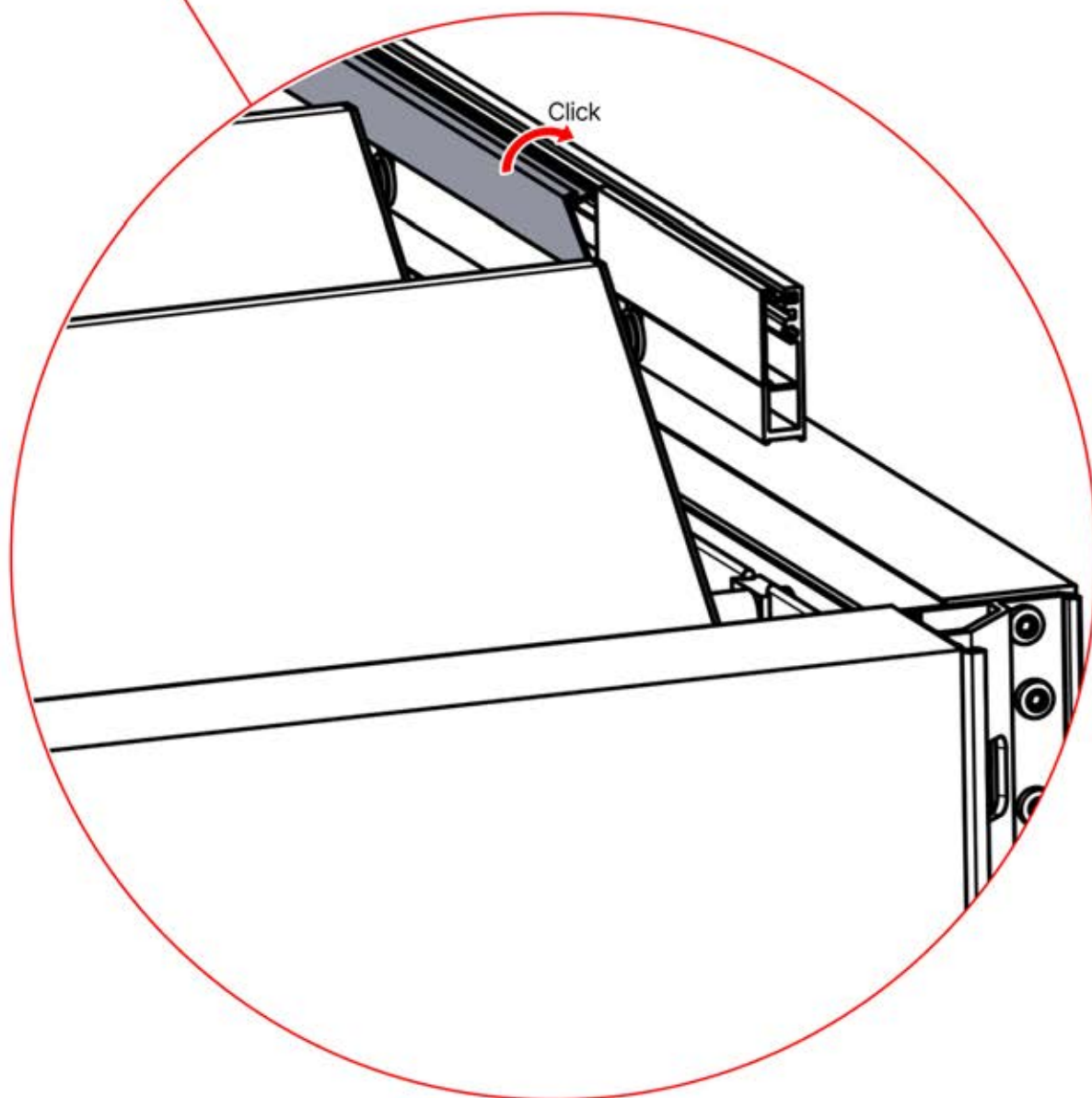
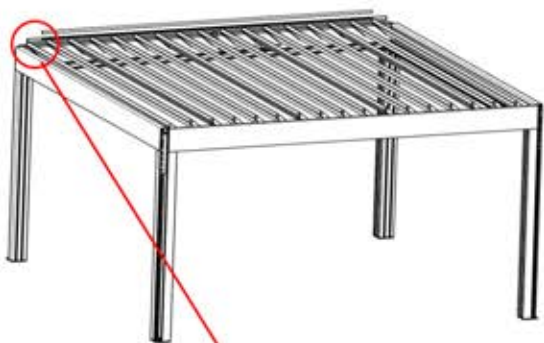

60

x1
PERGOLUX

2

ANTHRACITE: B286
WHITE: B290
BLACK: B294

PN-200002495
1x




61

x1
FERGOLUX

6

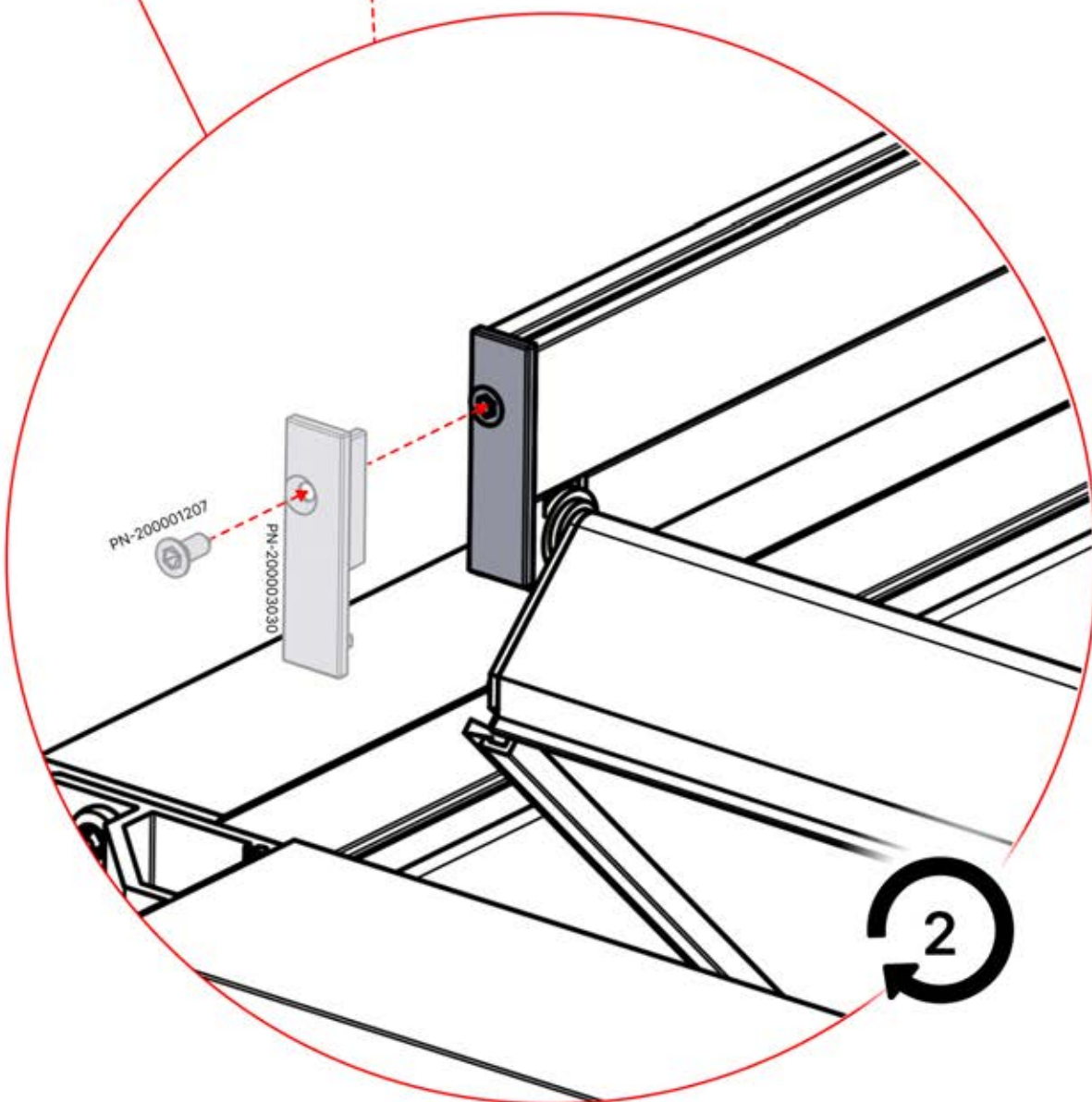
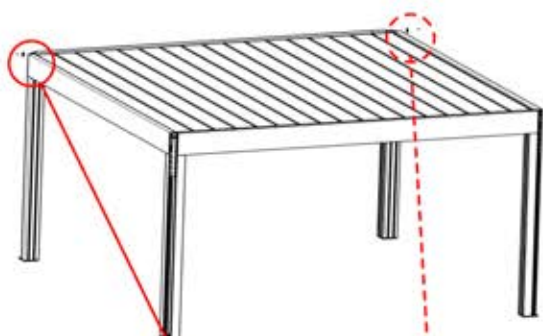
ANTHRACITE: L240
WHITE: L244
BLACK: L242



PN-200003030
1x

PN-200003031
1x

4.2x12
PN-200001207
2x



62

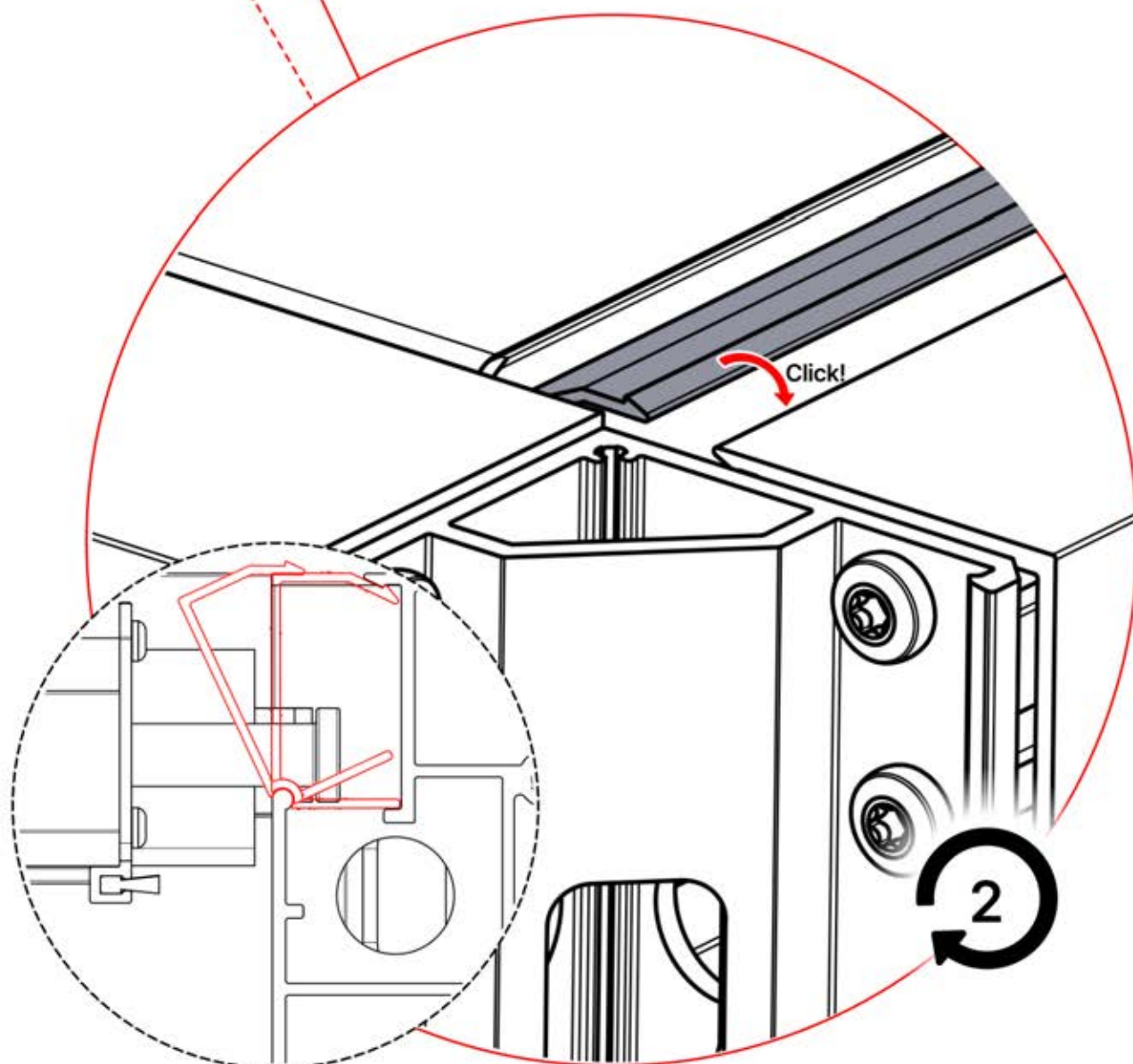
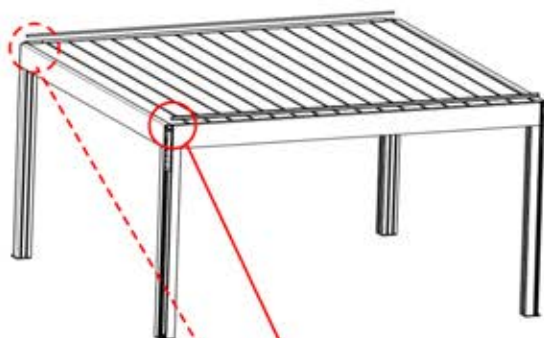
x1
PERGOLUX

2


ANTHRACITE: B286
WHITE: B290
BLACK: B294

PN-200002476
1x

PN-200002357
1x

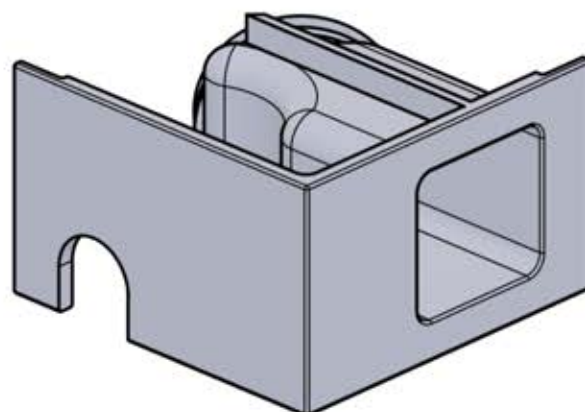
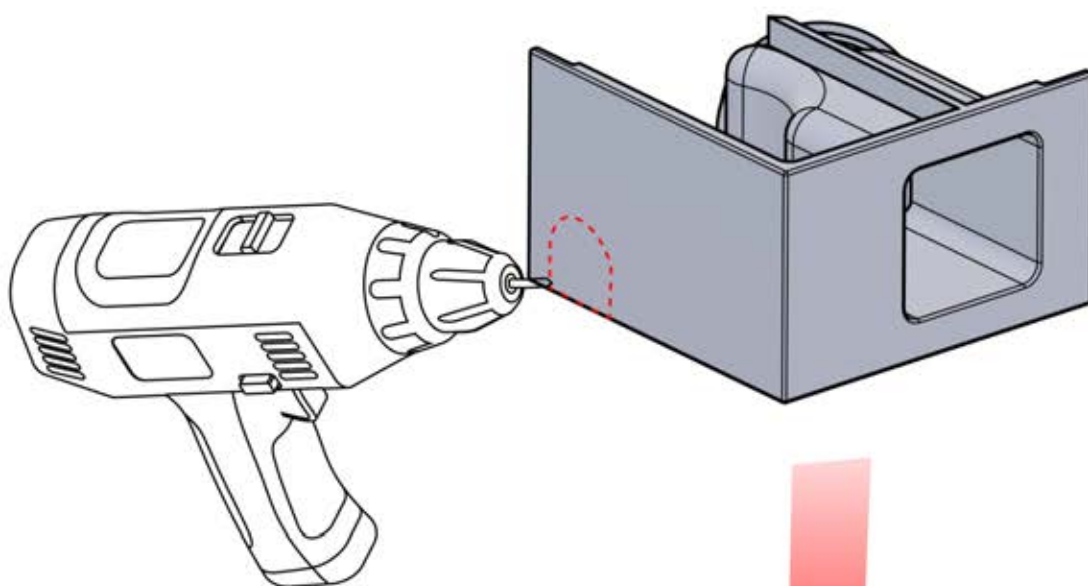
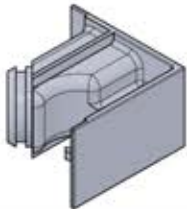


INFORMATION

 **6**

PN-200002303
4x

ANTHRACITE: L240
WHITE: L244
BLACK: L242



Select one of the four PN-200002303 parts and drill a 10 mm diameter hole to accommodate the power cable.

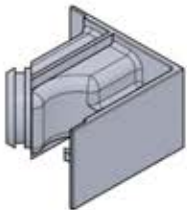
This specific part must be assembled to the corner pole as illustrated in step 64


63

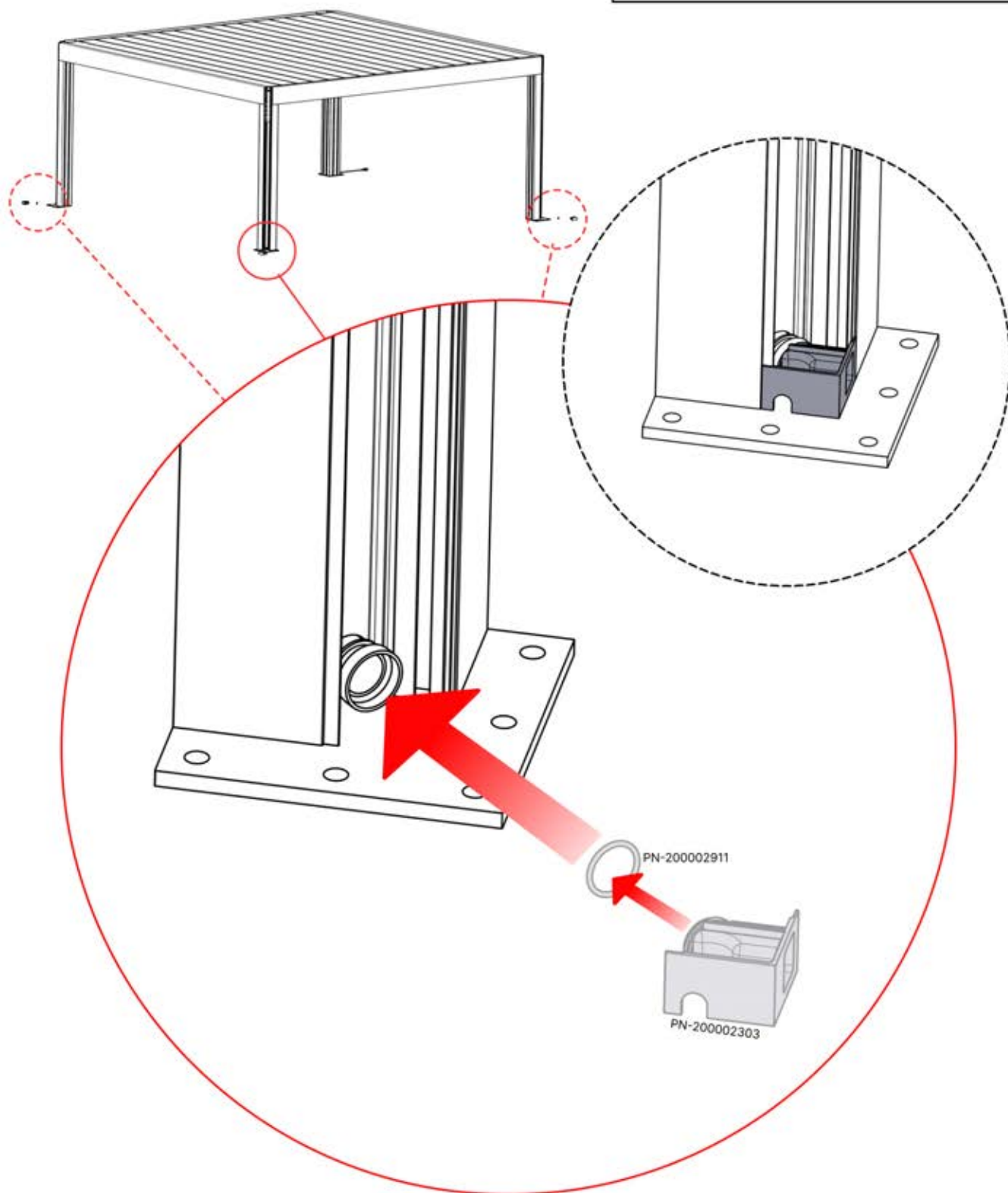
x7
PERGOLUX

6

ANTHRACITE: L240
WHITE: L244
BLACK: L242

 PN-200002303
4x

 PN-200002911
4x

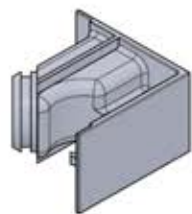


64


x7
PERGOLUX

6

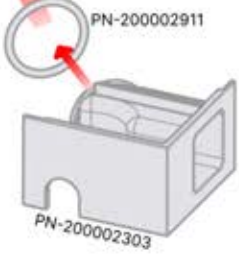
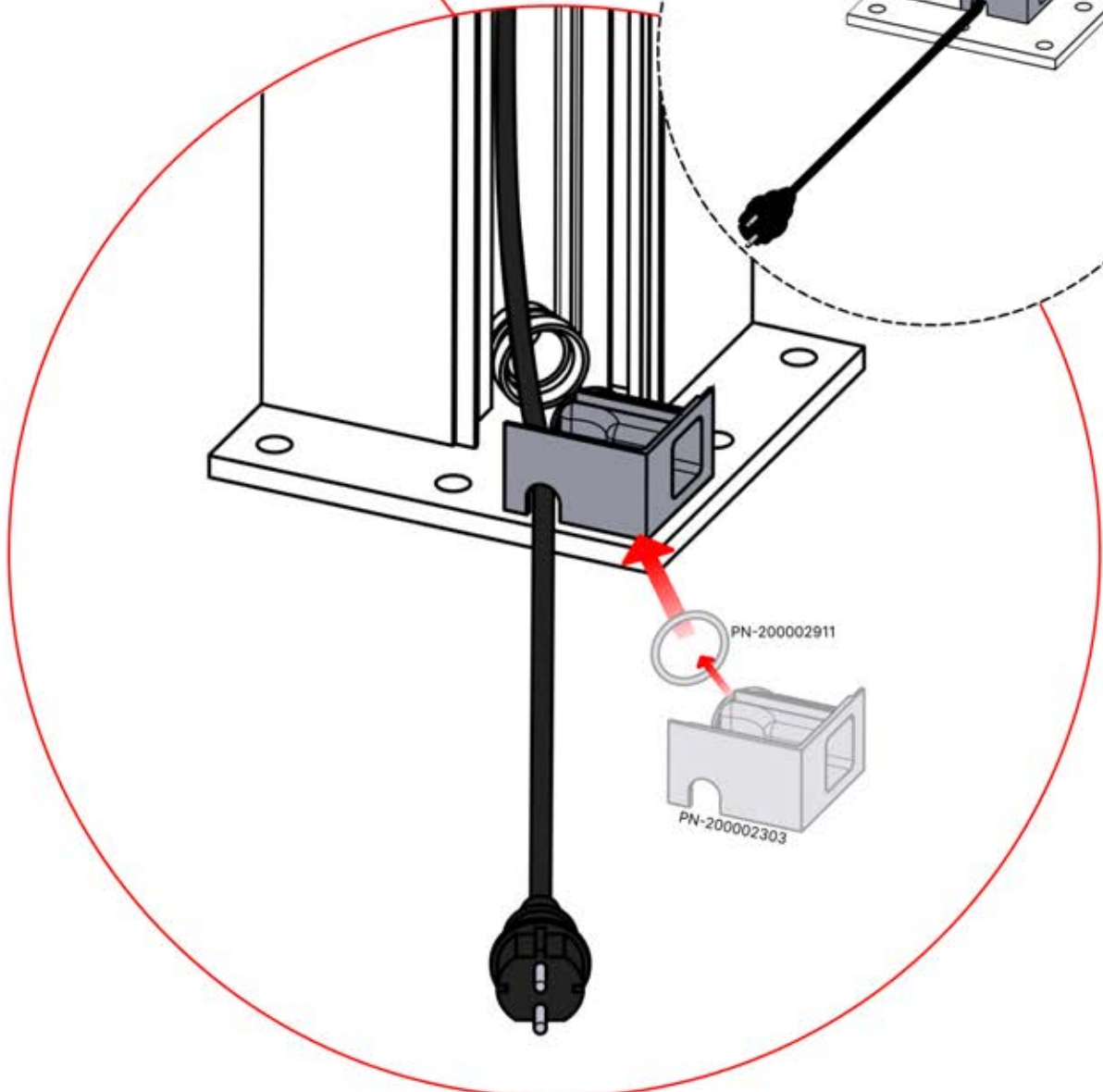
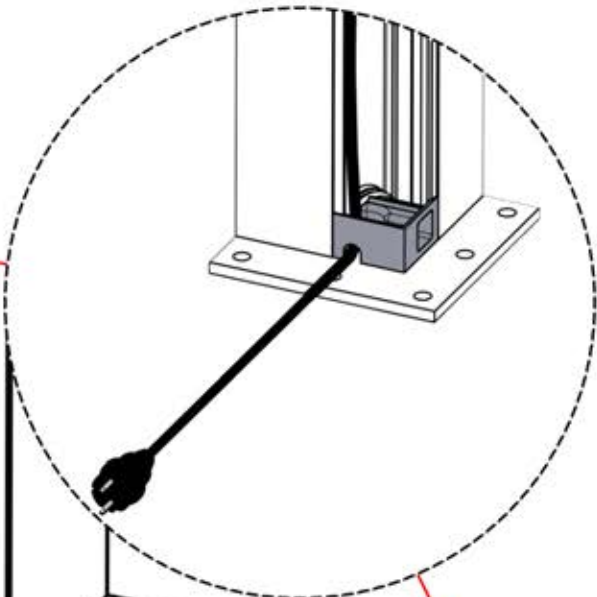
ANTHRACITE: L240
WHITE: L244
BLACK: L242



PN-200002303
4x



PN-200002911
4x



PN-200002911

PN-200002303

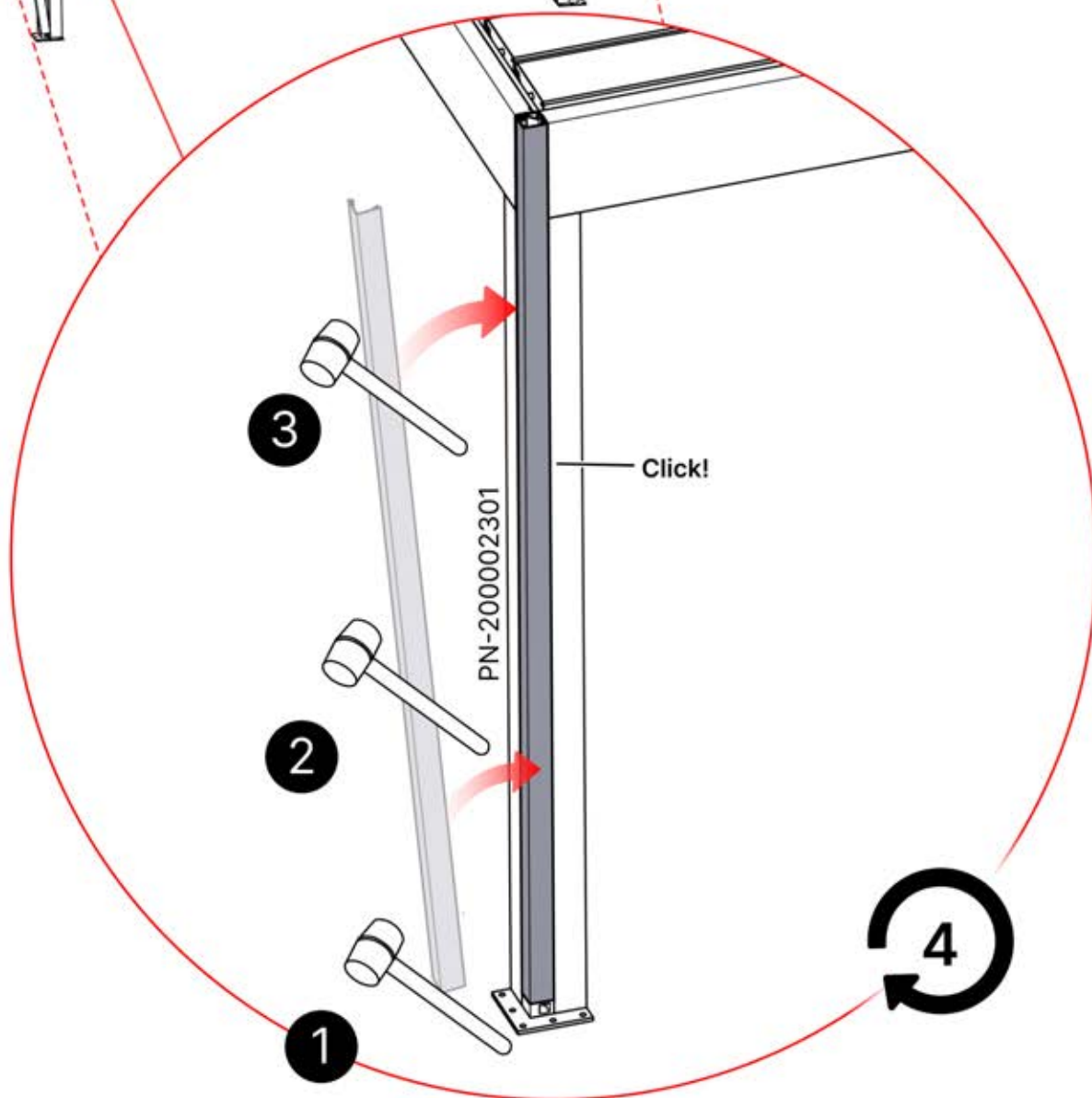
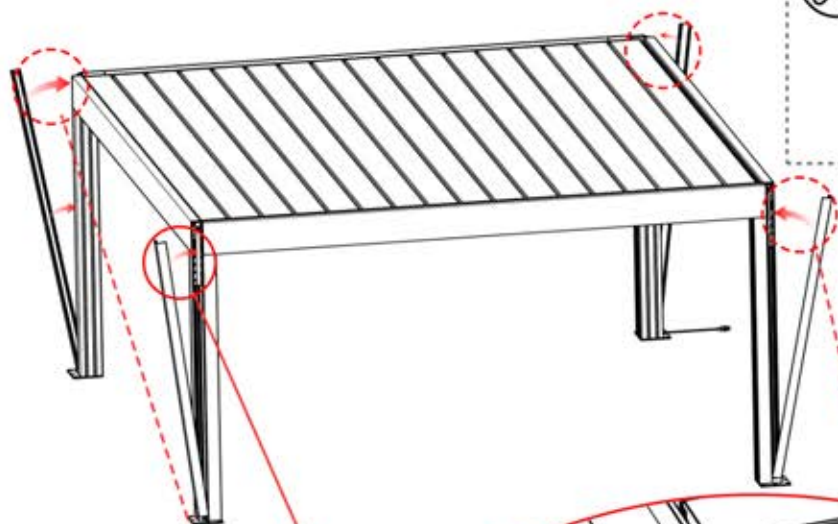
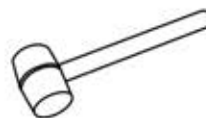
65

x2
PERGOLUX
PERGOLUX

1

ANTHRACITE: C126
WHITE: C127
BLACK: C128

PN-200002301
4x



3

2

1

4

Click!

PN-200002301

66



6

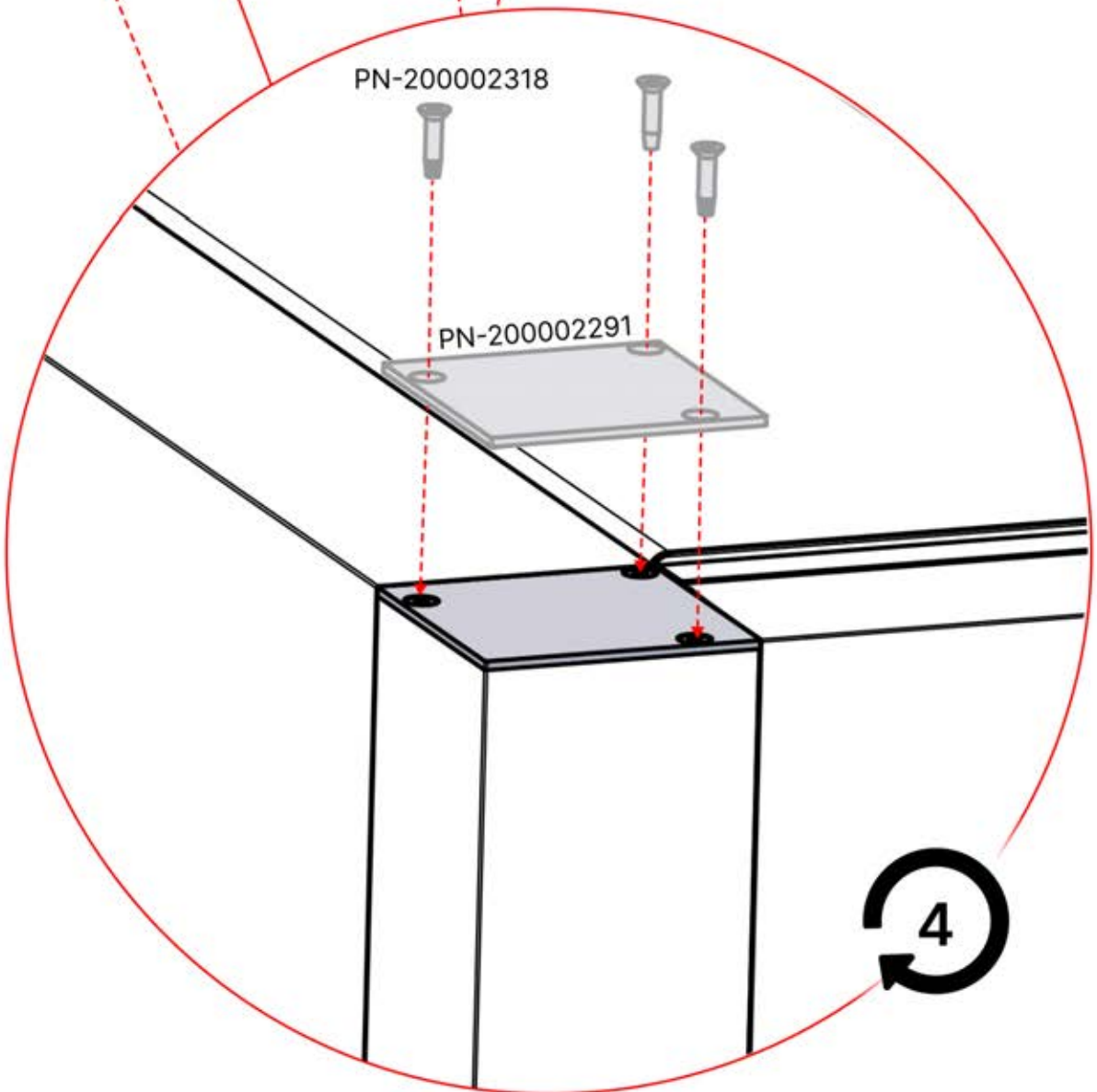
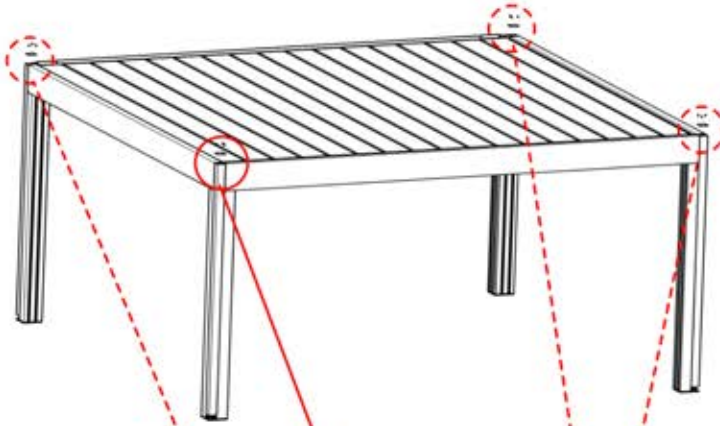
ANTHRACITE: L240
WHITE: L244
BLACK: L242



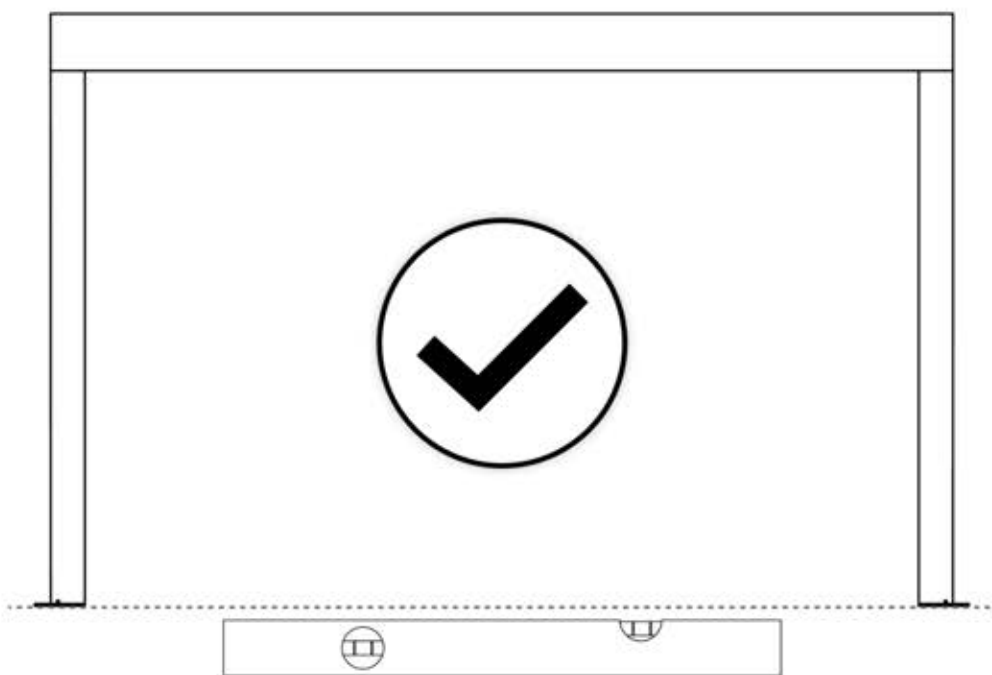
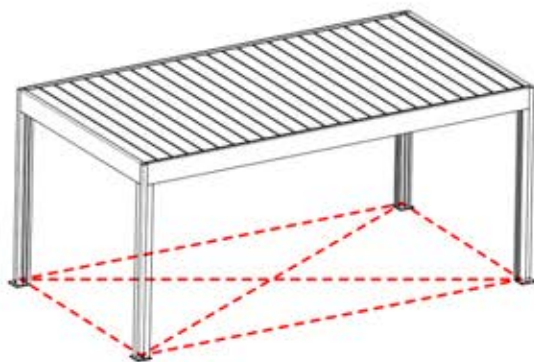
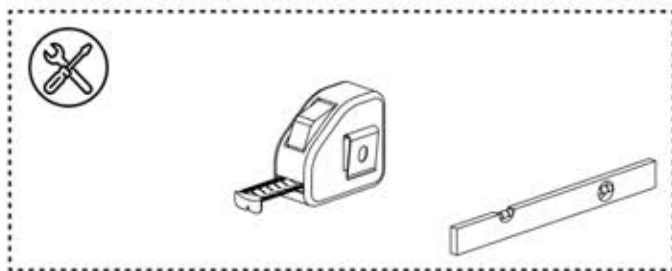
PN-200002291
4x



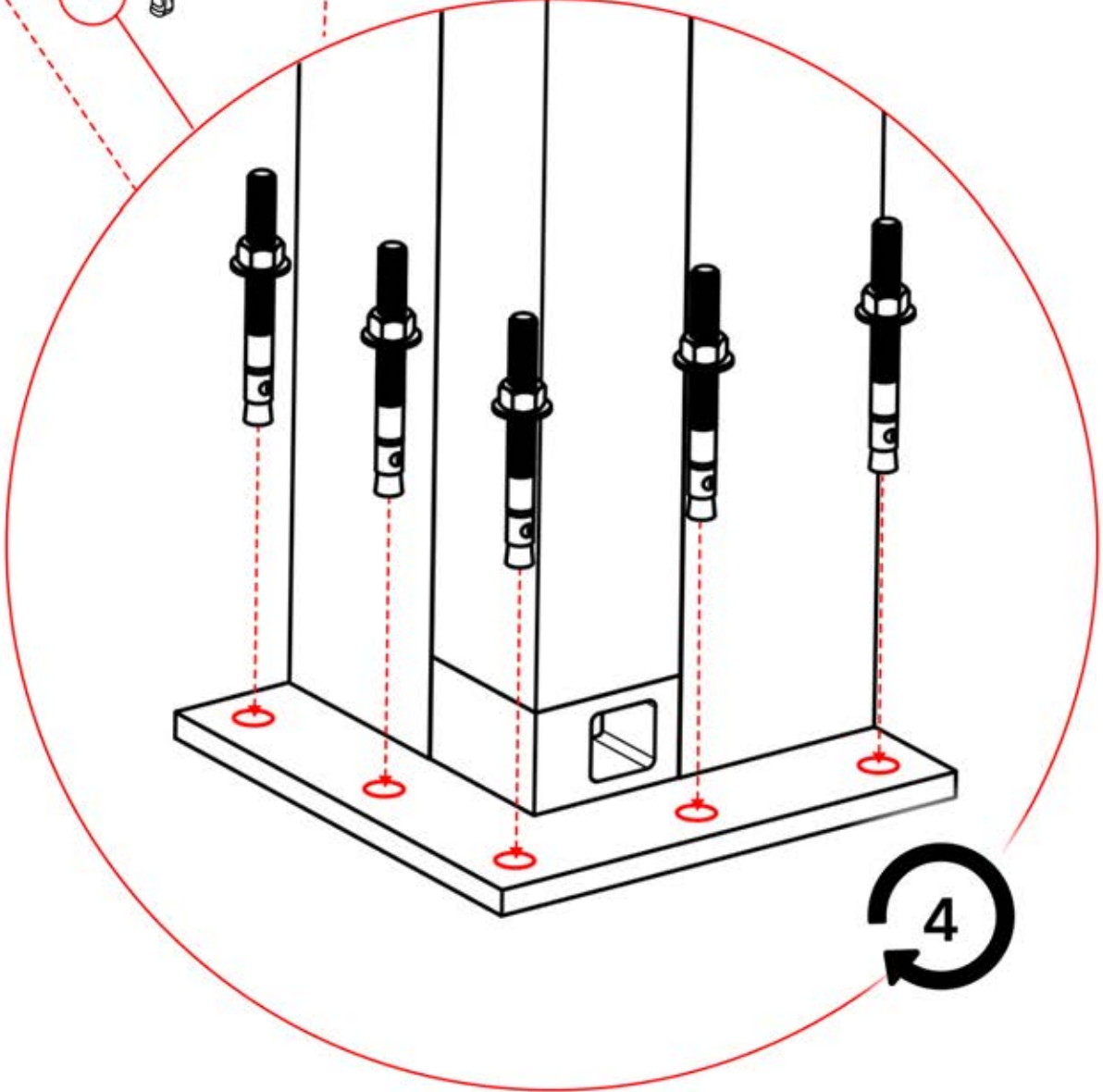
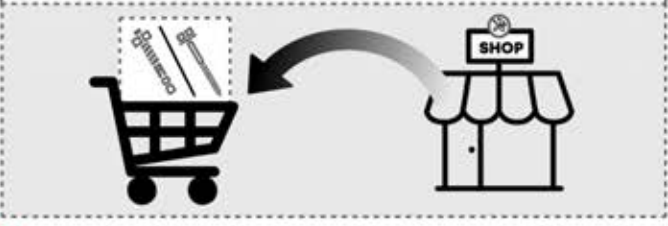
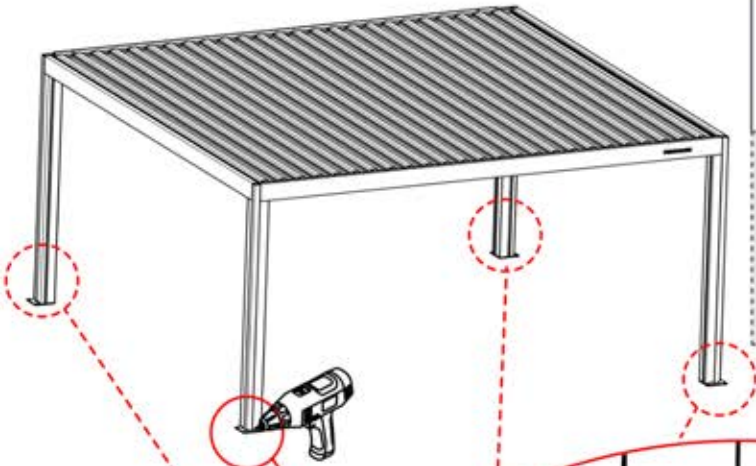
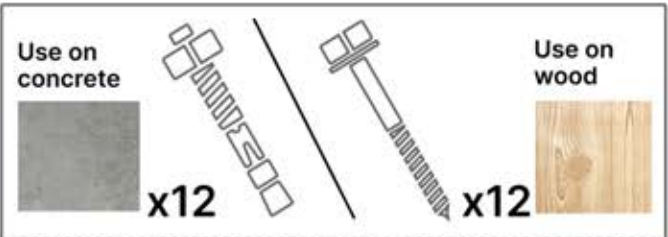
PN-200002318
12x



67



68



S4 PERGOLUX | PERGOLA PRO MAX FREESTANDING

4 X 6 M

