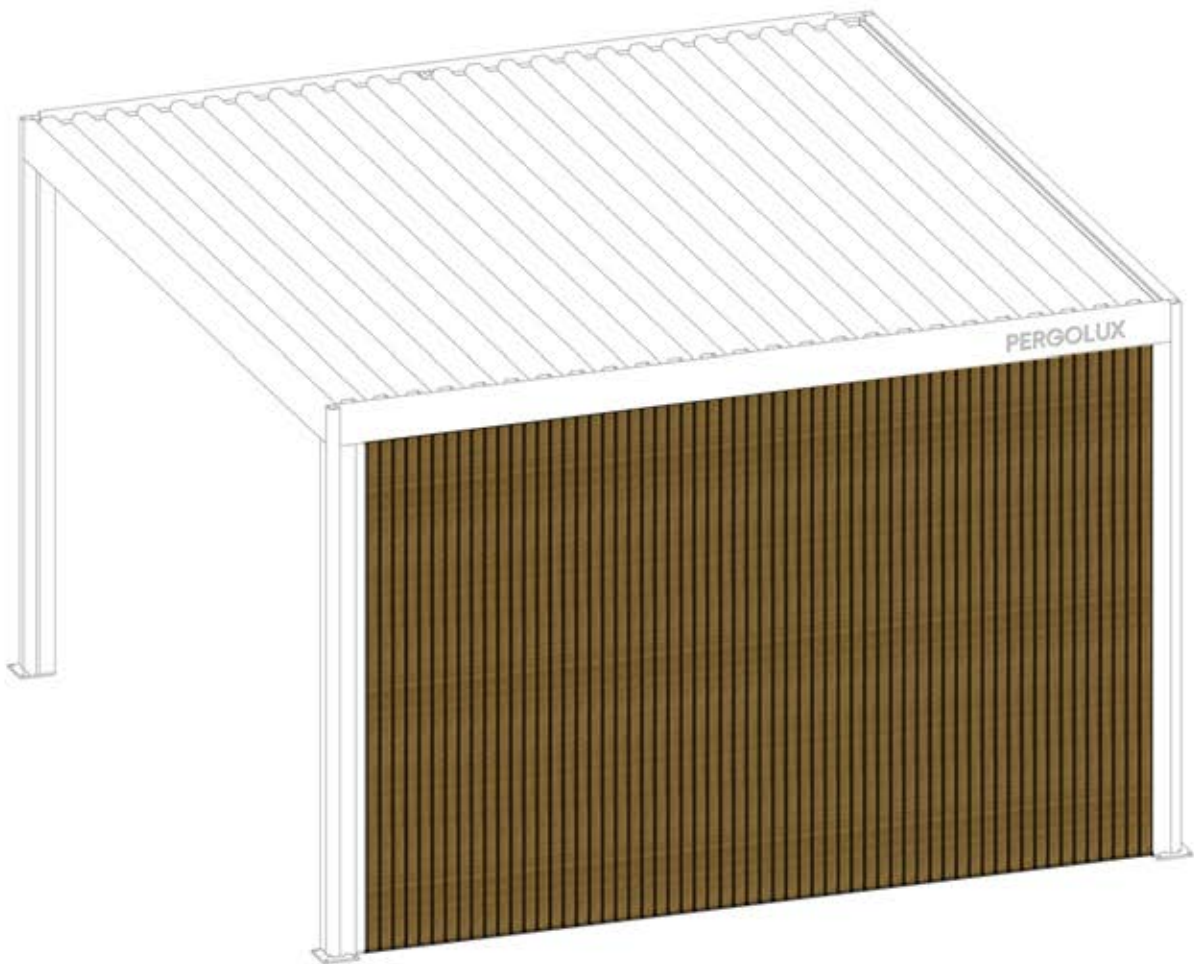


WOODLINE

SLAT WALL

CUSTOM DESIGN



PERGOLUX

SYMBOL EXPLANATION



Indicates the outside of the pergola structure.



This step may require extra force.



Indicates the inside of the pergola structure.



Key information to follow during installation.



Important! Be cautious when assembling or handling this part.



This item must be purchased separately.



Required tools for assembly.



Apply lubricant to make screw assembly easier.



Ensure grounding is connected before powering up.



Do not use a regular hammer to avoid damage.



Align slats according to sunlight direction for optimal shading.



AC Input



Repeat this step as many times as the number indicates



Motor



Turn around



Variables

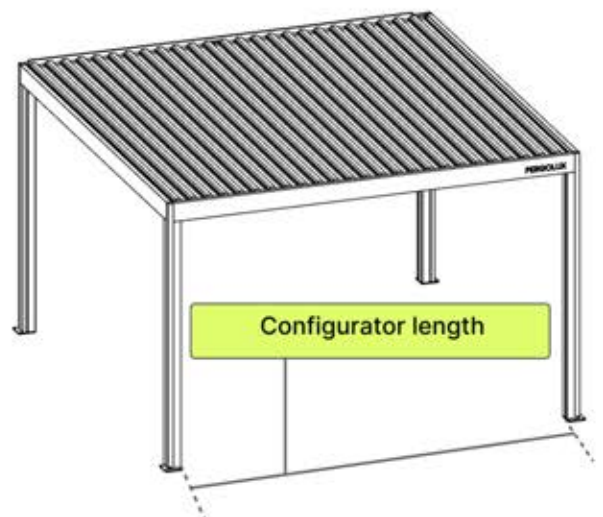


Repeat is variable

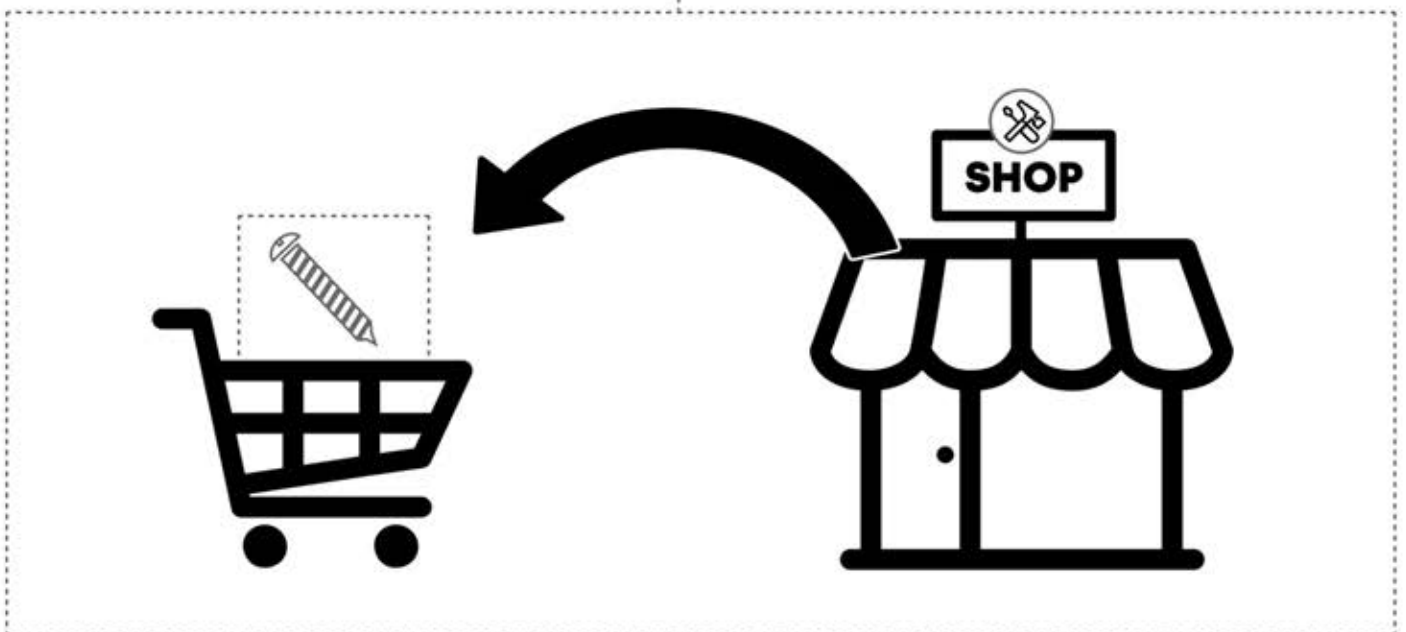
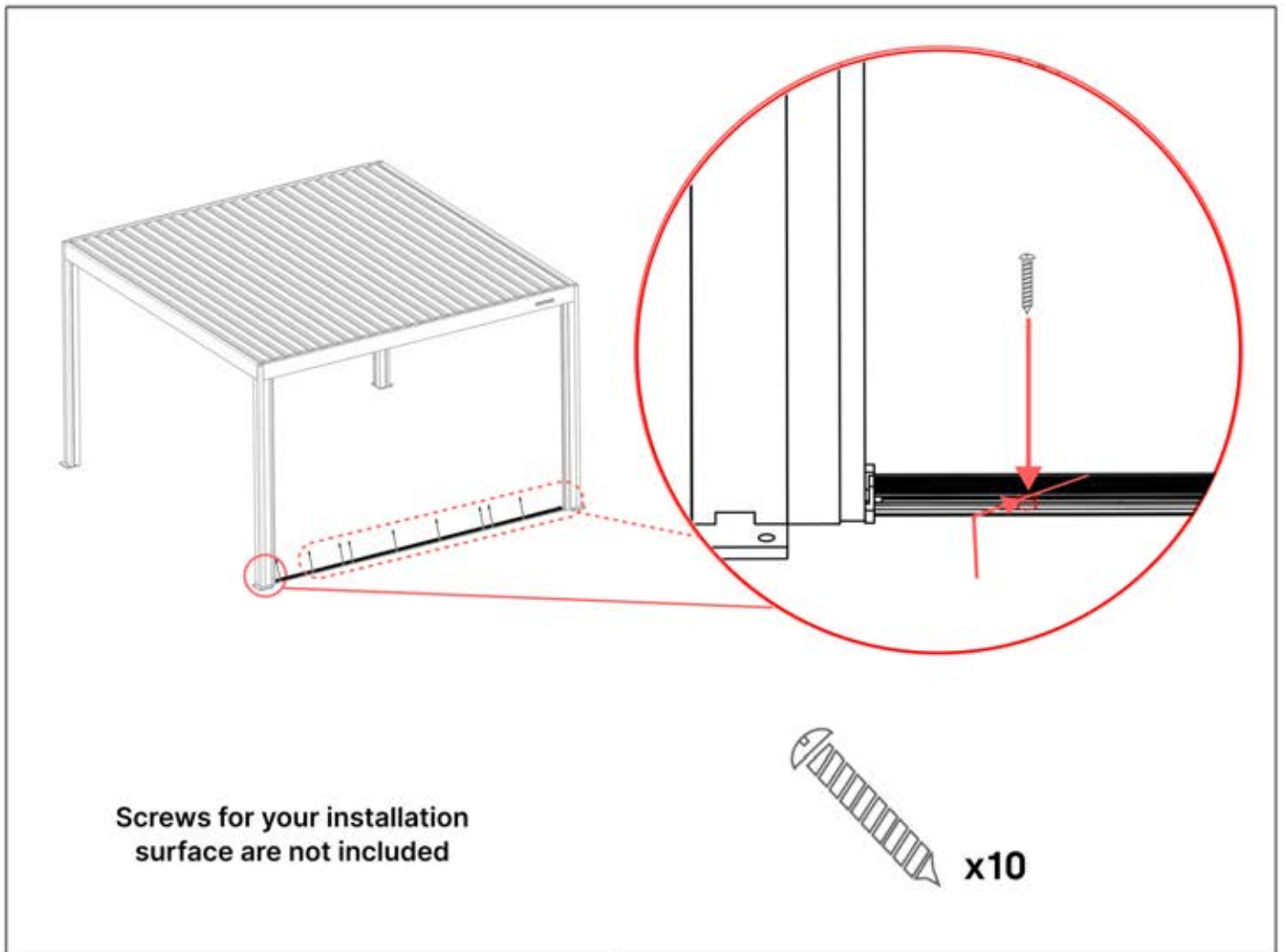
VARIABLES

Your Configurator length		Your variable
MAX Width	MIN Width	
566	625	X8
626	685	x9
686	745	x10
746	805	x11
806	865	x12
866	925	x13
926	985	x14
986	1045	x15
1046	1105	x16
1106	1165	x17
1166	1225	x18
1226	1285	x19
1286	1345	x20
1346	1405	x21
1406	1465	x22
1466	1525	x23
1526	1585	x24
1586	1645	x25
1646	1705	x26
1706	1765	x27
1766	1825	x28
1826	1885	x29
1886	1945	x30
1946	2005	x31
2006	2065	x32
2066	2125	x33
2126	2185	x34
2186	2245	x35
2246	2305	x36
2306	2365	x37
2366	2425	x38
2426	2485	x39
2486	2545	x40
2546	2605	x41
2606	2665	x42
2666	2725	x43
2726	2785	x44
2786	2845	x45
2846	2905	x46
2906	2965	x47
2966	3025	x48
3026	3085	x49
3086	3145	x50
3146	3205	x51
3206	3265	x52
3266	3325	x53
3326	3385	x54
3386	3445	x55
3446	3505	x56
3506	3565	x57

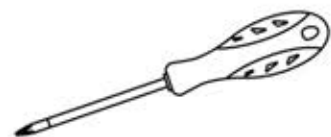
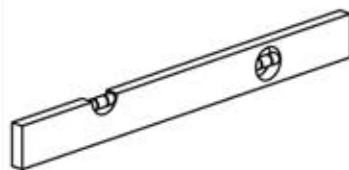
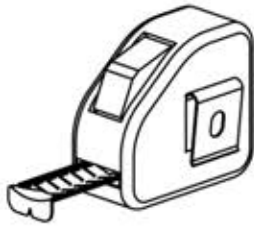
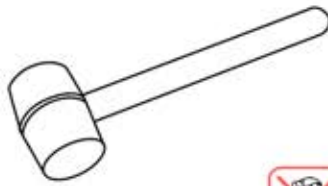
Your Configurator length		Your variable
MAX Width	MIN Width	
3566	3625	x58
3626	3685	x59
3686	3745	x60
3746	3805	x61
3806	3865	x62
3866	3925	x63
3926	3985	x64
3986	4045	x65
4046	4105	x66
4106	4165	x67
4166	4225	x68
4226	4285	x69
4286	4345	x70
4346	4405	x71
4406	4465	x72
4466	4525	x73
4526	4585	x74
4586	4645	x75



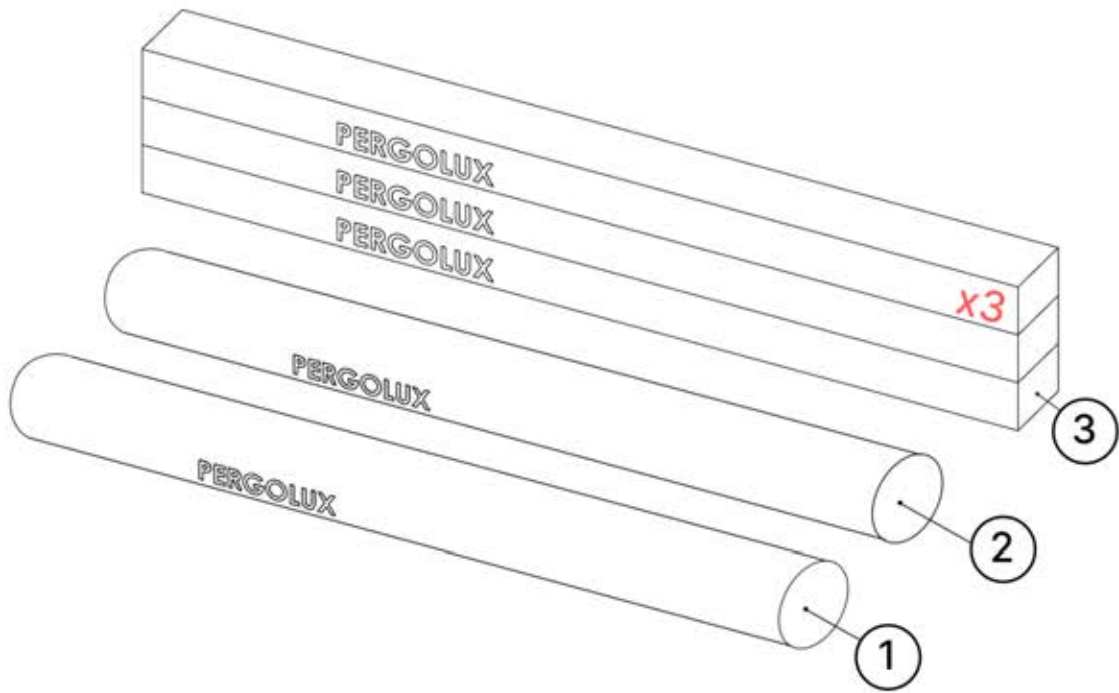
PERGOLUX | SLAT WALL
INFORMATION



TOOLS



PACKAGE OVERVIEW



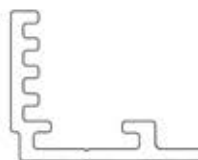
①	W103 FRAME START PACKAGE
②	W104 CUSTOM DESIGN SLAT WALL KIT
③	W100 SLAT PACKAGE 16 x3

PERGOLUX | SLAT WALL
ITEMS IN BOX



W103 FRAME START PACKAGE

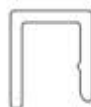
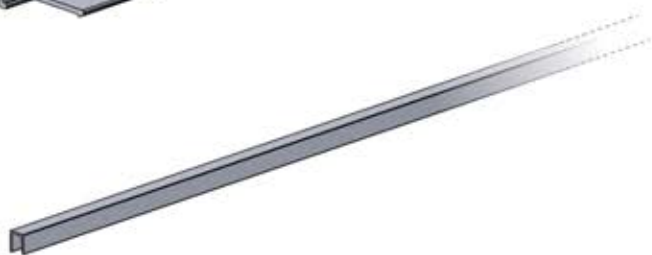
1



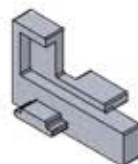
Ground Fixation
PN-200002542



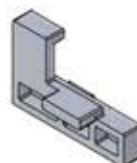
Slat Fixation
PN-200002543



Slat Lock
PN-200002544



End Cover Left
PN-200002510
1X



End Cover Right
PN-200002513
1X

PERGOLUX | SLAT WALL
ITEMS IN BOX



W100 CUSTOM DESIGN SLAT WALL KIT

2



SNAP-FIT OUTSIDE 40 MM
PN-200001149

8x



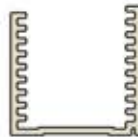
SNAP-FIT INSIDE 40 MM
PN-200001152

8x



SET SCREW M6X6
PN-200001214

8x



PN-200002907

1x



PN-200002908

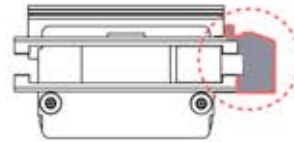
1x

PERGOLUX | SLAT WALL
ITEMS IN BOX

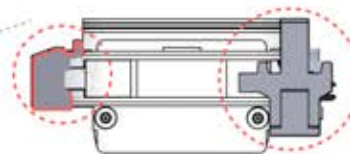


W100 SLAT PACKAGE 16 x3

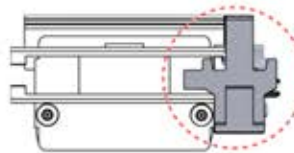
3



Slat Right
PN-200002541-R
1x



Slat Left
PN-200002541-L
1x

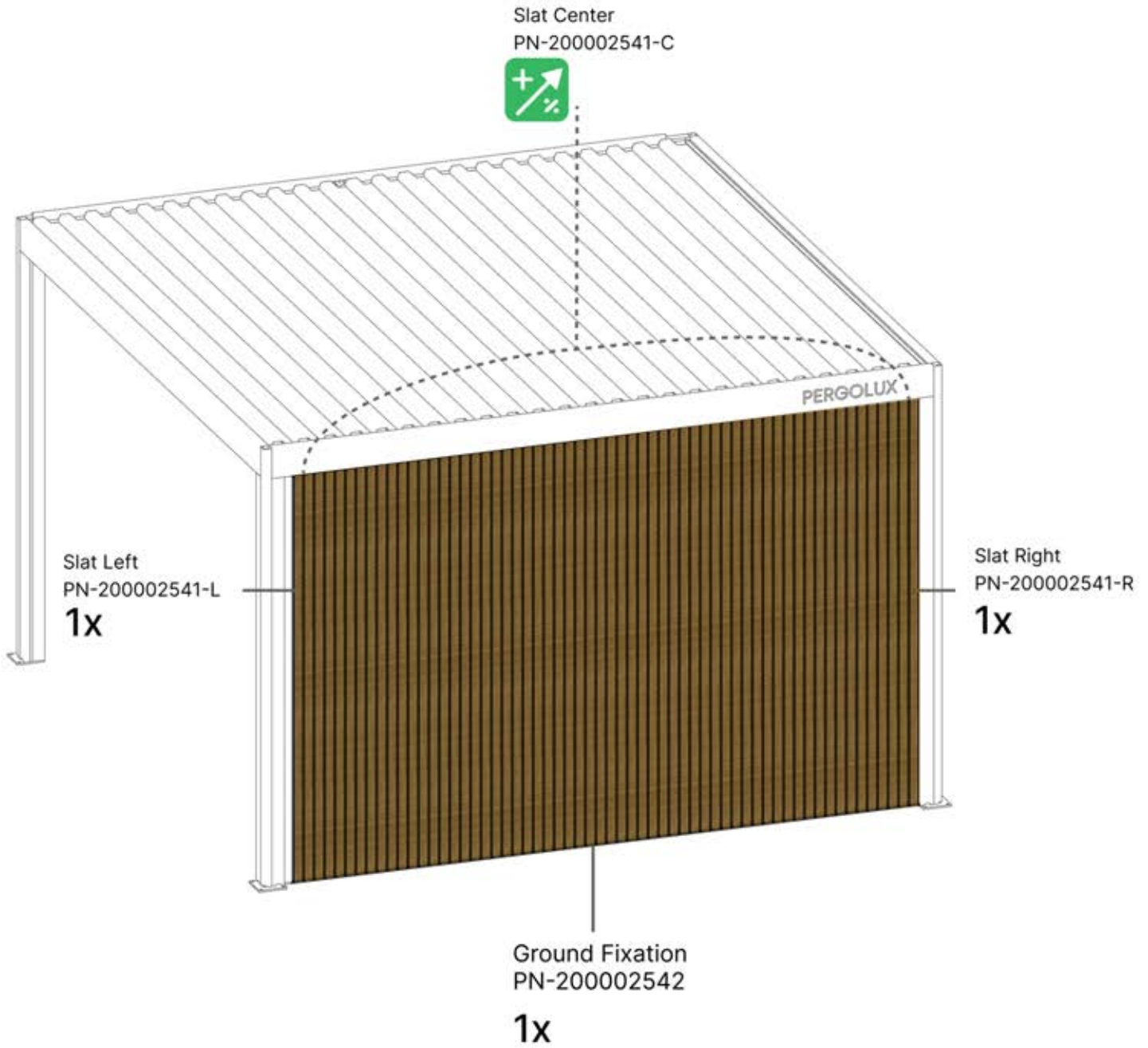


Slat Center
PN-200002541-C





PERGOLUX | SLAT WALL

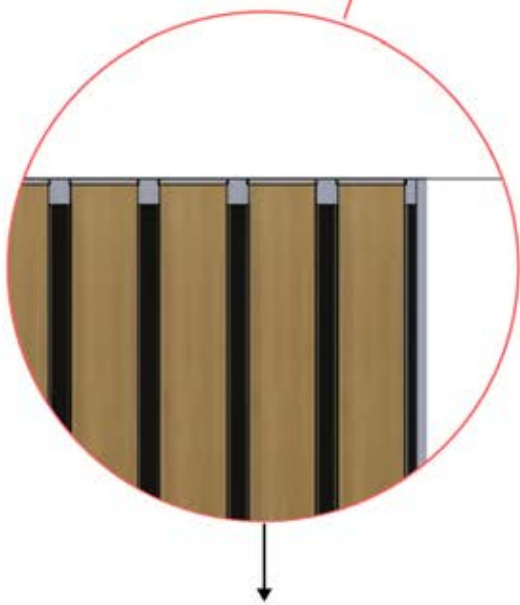
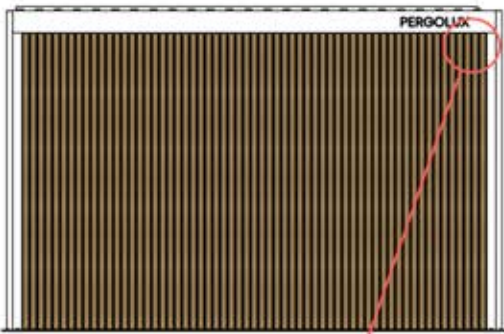
OVERVIEW 4M/13'



PERGOLUX | SLAT WALL
CLOSED/OPEN




OPTION 1 (Closed):

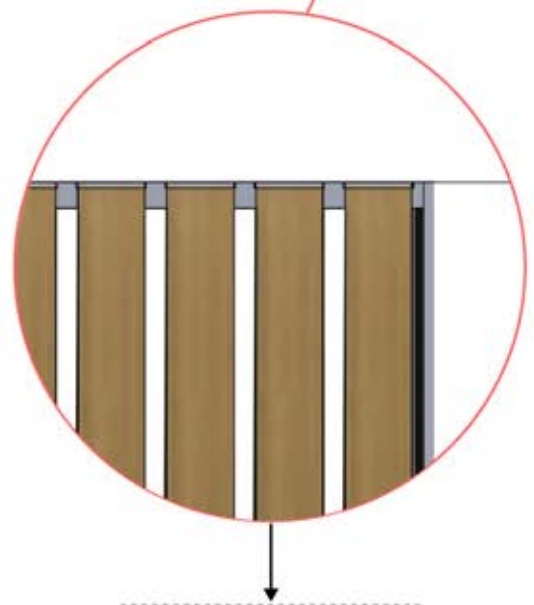
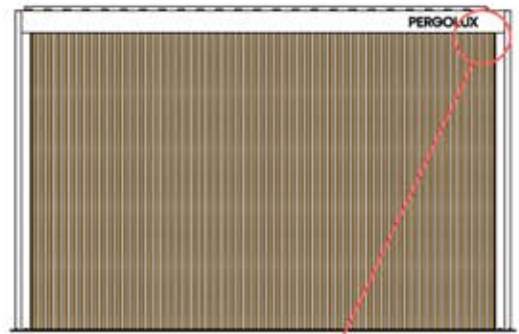
-  **NOT** see through
-  Water protection
-  Wind protection



Continue assembling
from **Step 1**

OPTION 2 (Open):

-  See through
-  **NO** Water protection
-  **NO** Wind protection

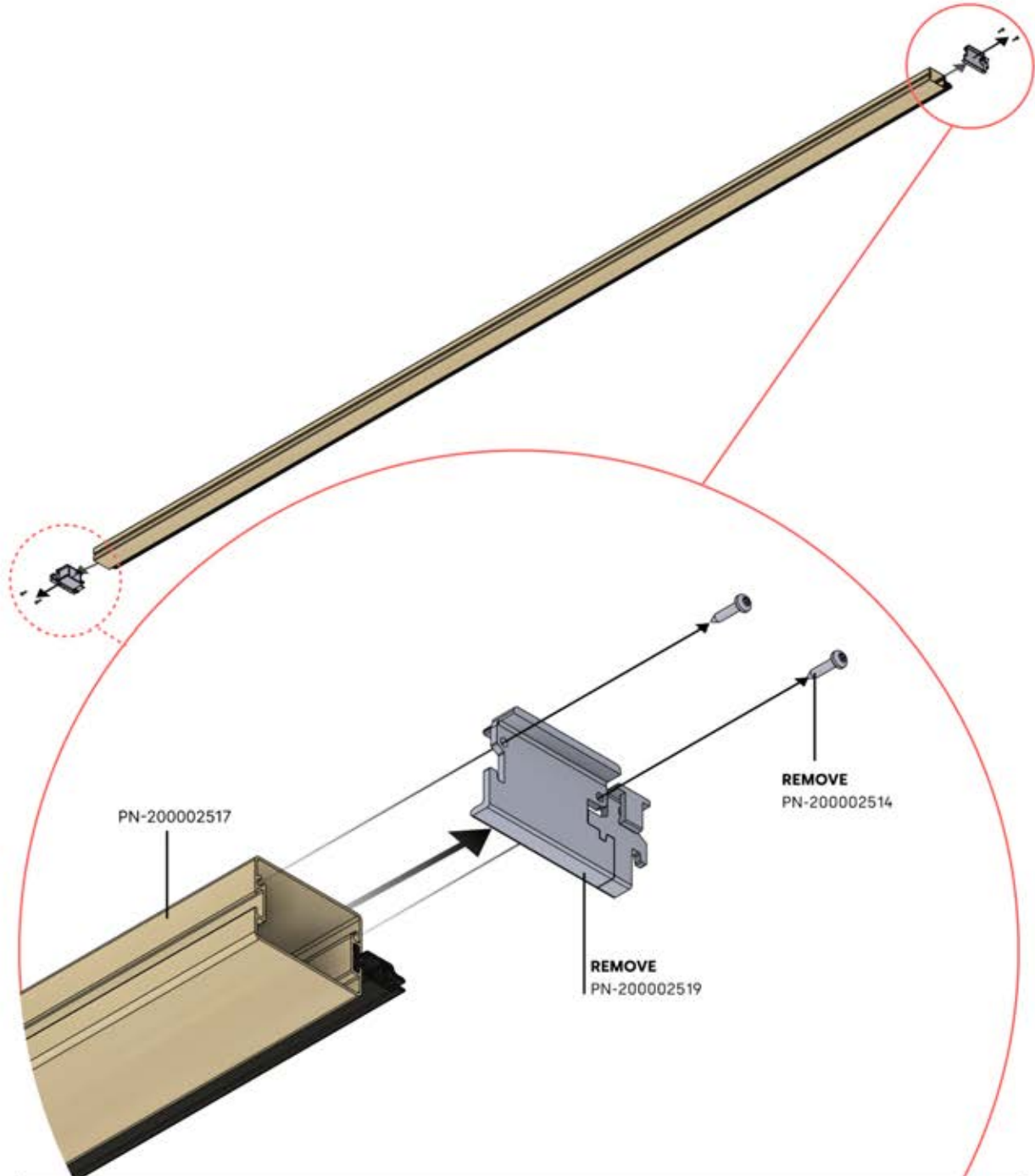


 See next
page



OPTION 2 (OPEN)

! ** Only for option 2



PLEASE NOTE: Do not remove the slat connection profile on the left and right slats, as these will be installed and fixed into the posts.

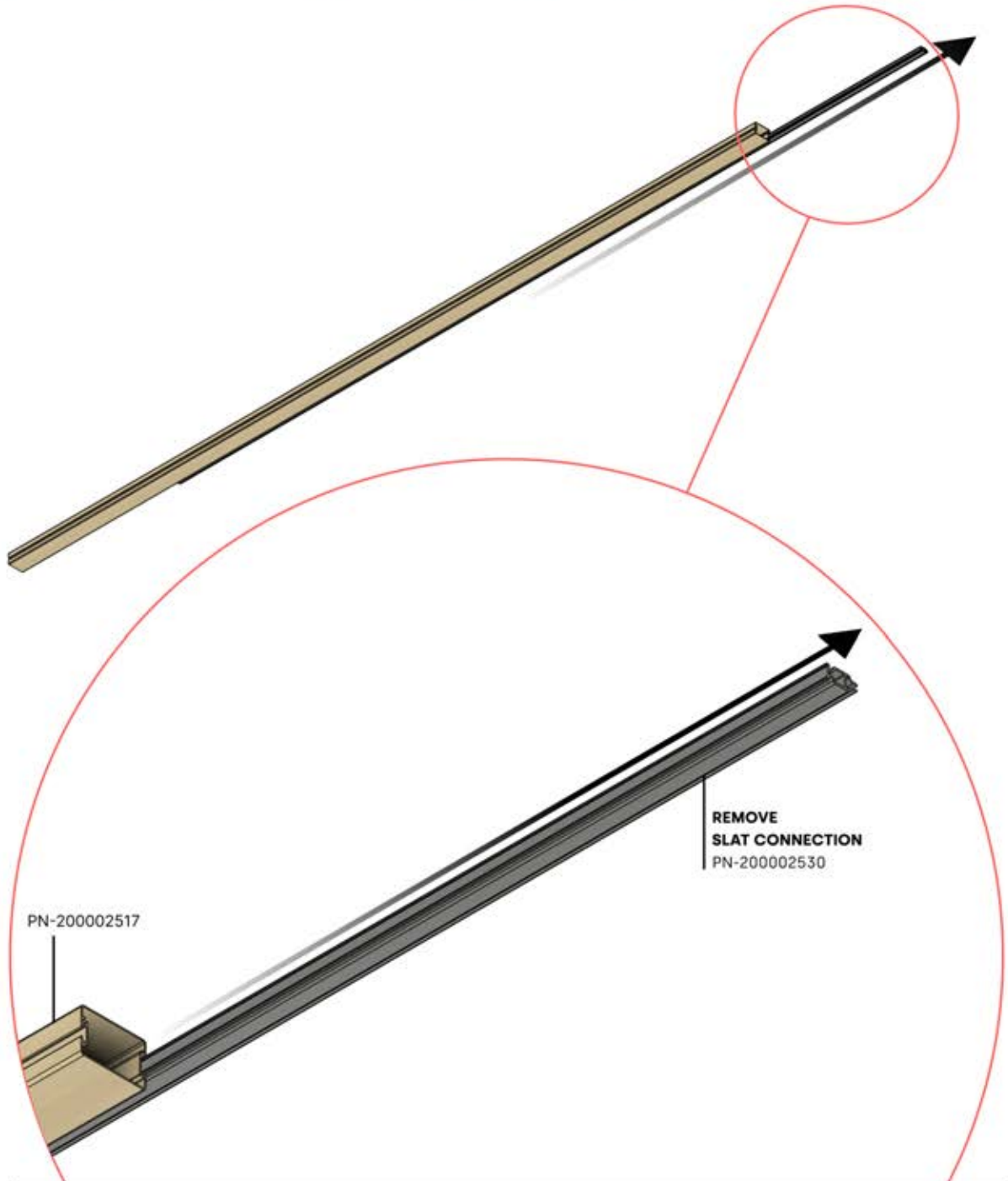


Slat Right
PN-200002541-R
1x

Slat Left
PN-200002541-L
1x

OPTION 2 (OPEN)

! ** Only for option 2



PLEASE NOTE: Do not remove the slat connection profile on the left and right slats, as these will be installed and fixed into the posts.



Slat Right
PN-200002541-R

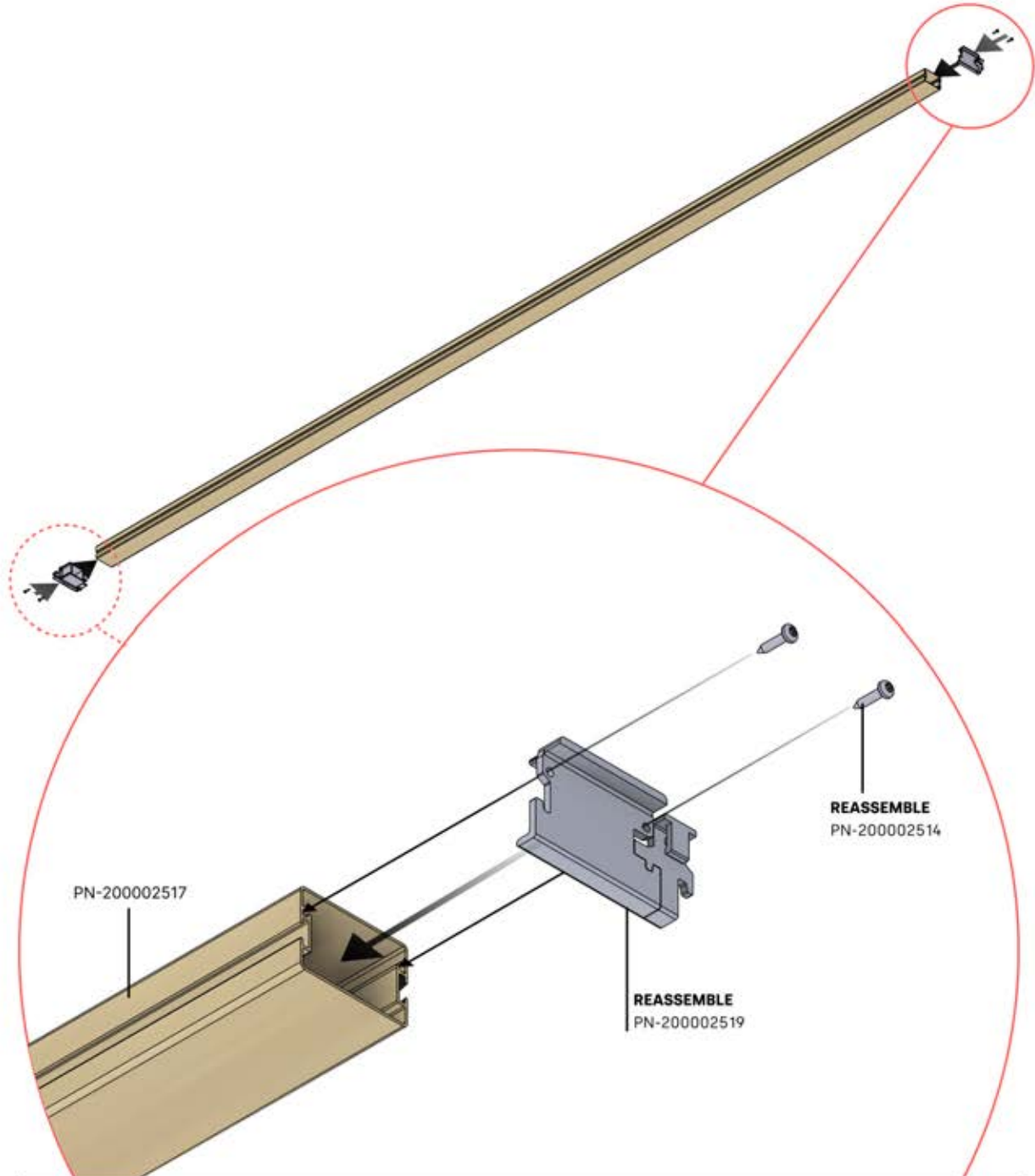
1x

Slat Left
PN-200002541-L

1x

OPTION 2 (OPEN)

! ** Only for option 2



PLEASE NOTE: Do not remove the slat connection profile on the left and right slats, as these will be installed and fixed into the posts.



Slat Right
PN-200002541-R

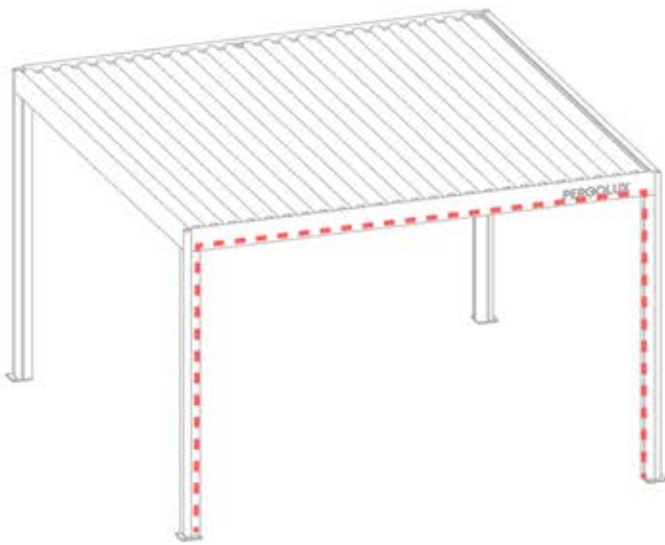
1x

Slat Left
PN-200002541-L

1x

REMOVE COVER AND CLIPS

Remove the cover and clips entirely from the beams and posts on the side where you plan to install the slat wall.



Cover and clip



PN-200000512
STRIP COVER CLIP



SnapFIT Cover

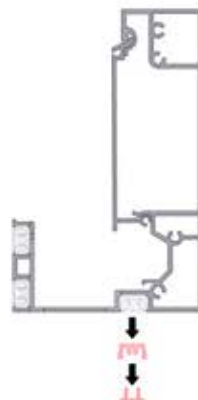
Beams PERGOLA

Remove cover and clips from **beams**.



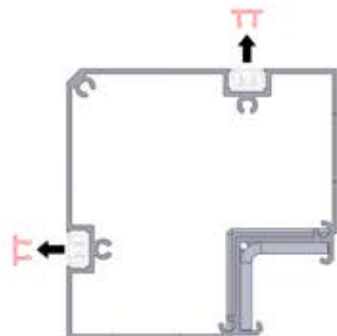
Beams SUNDREAM

Remove cover and clips from the underside of the **beams**.



Posts

Remove cover and clips from **posts**.



PERGOLUX | SLAT WALL INFORMATION



SNAP-FIT OUTSIDE 40 MM
PN-200001149

8x



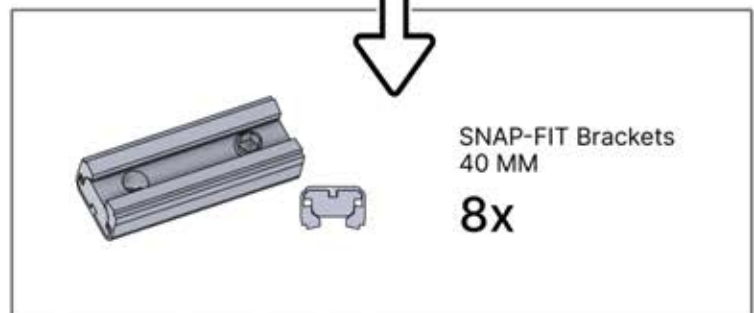
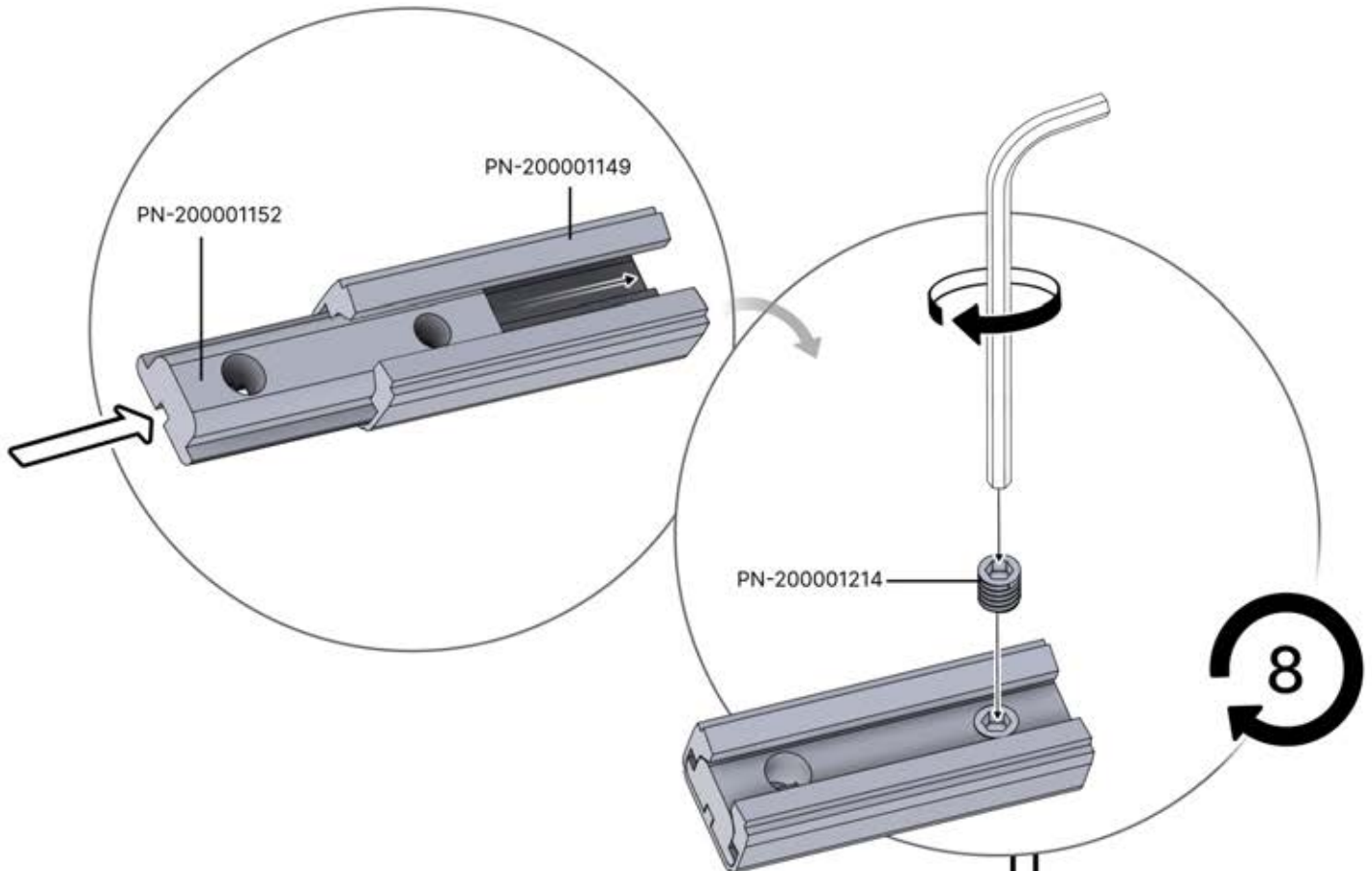
SNAP-FIT INSIDE 40 MM
PN-200001152

8x

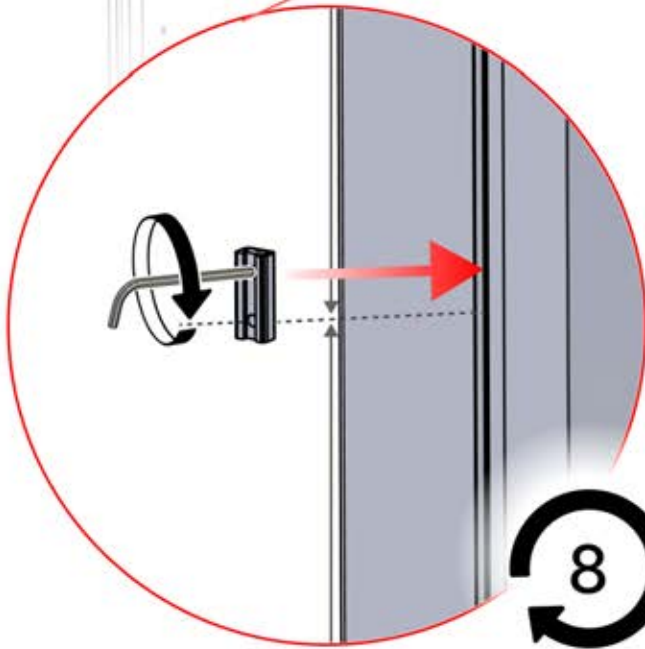
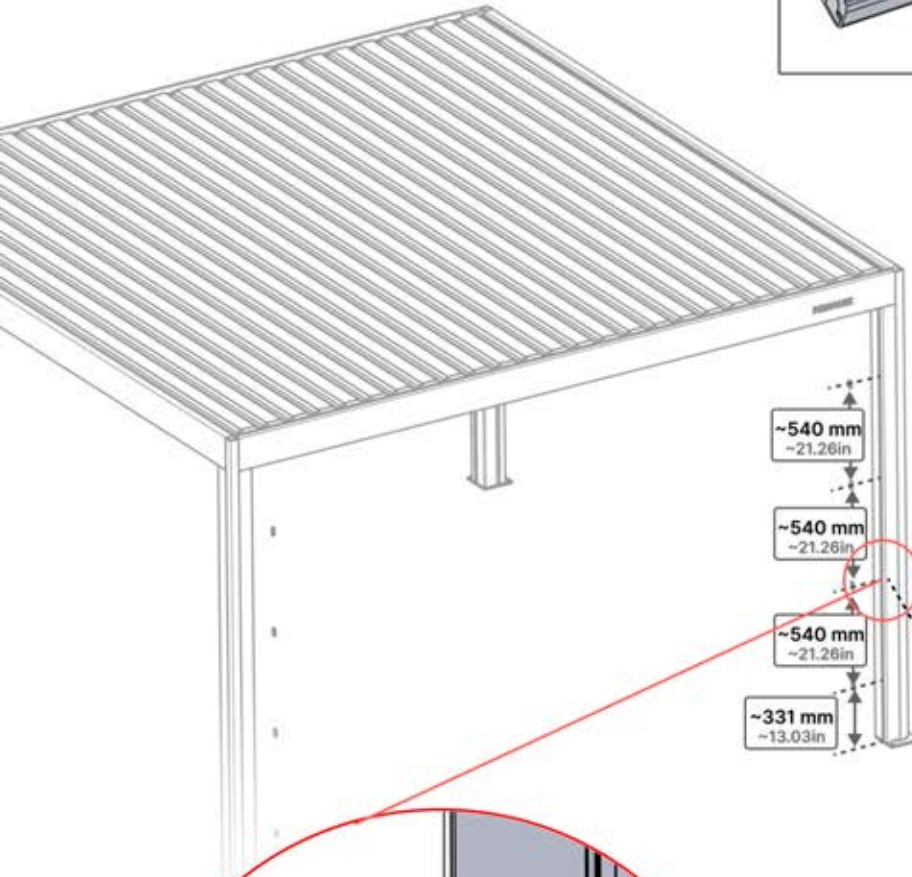
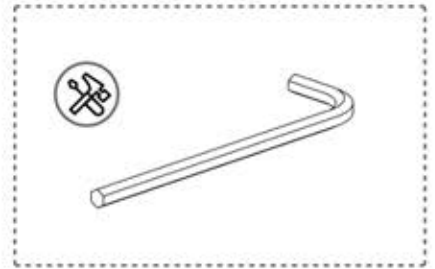
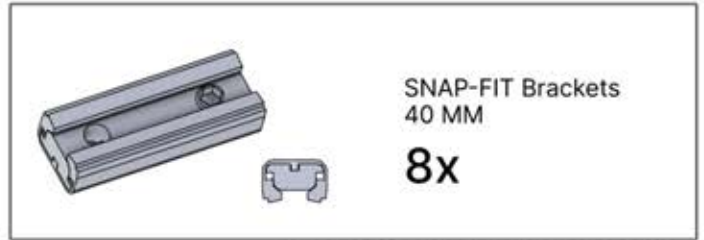


SET SCREW M6X6
PN-200001214

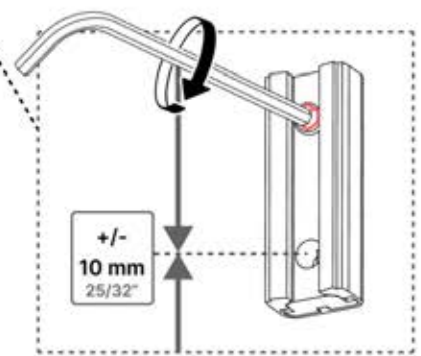
8x



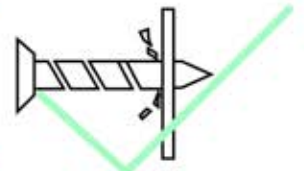
1



8



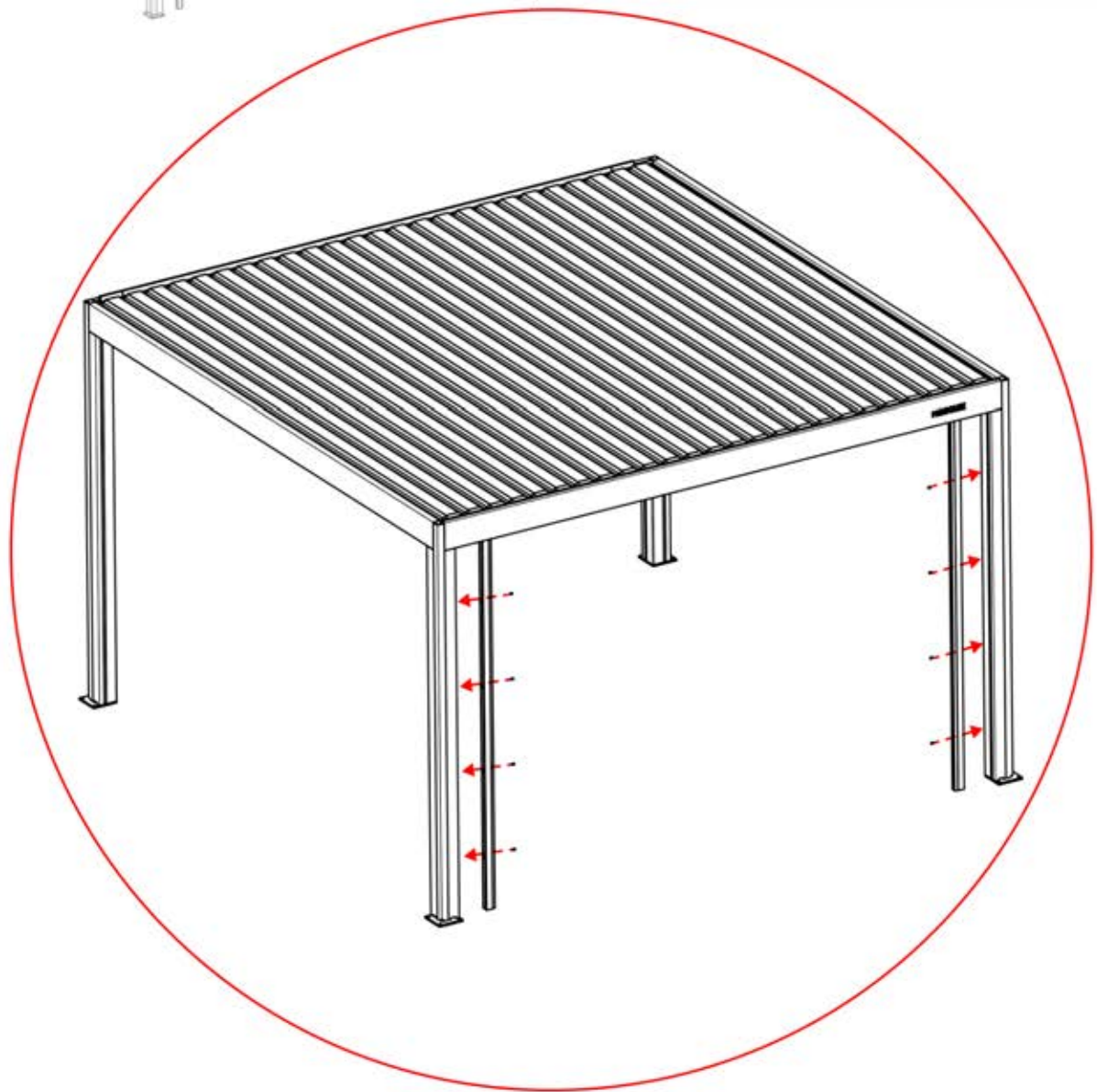
Note:
Do you have a PERGOLUX Skydance?
Do not use the snap fit brackets, use
straight self tapping screws, go to
next step and screw right in the posts.



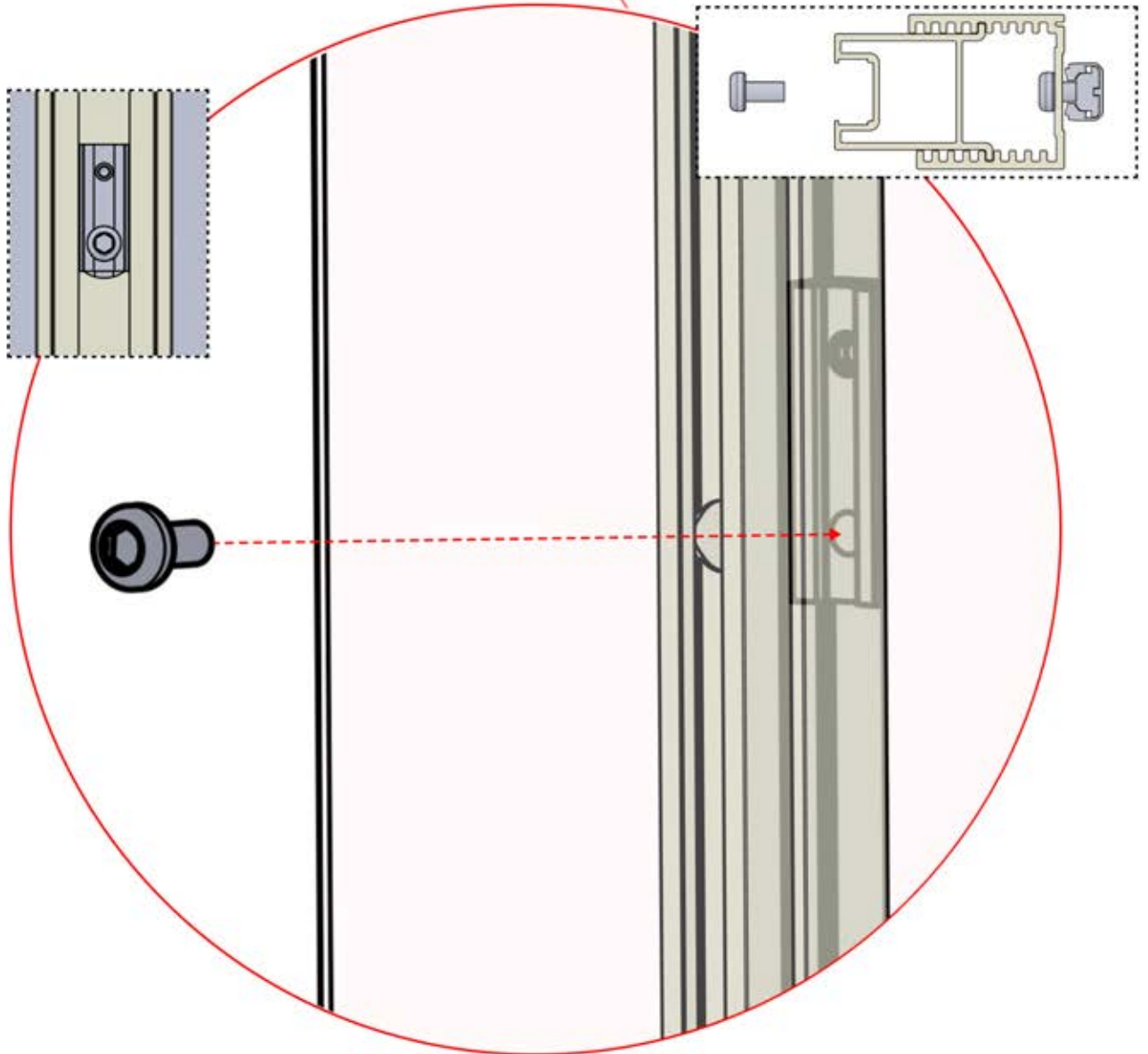
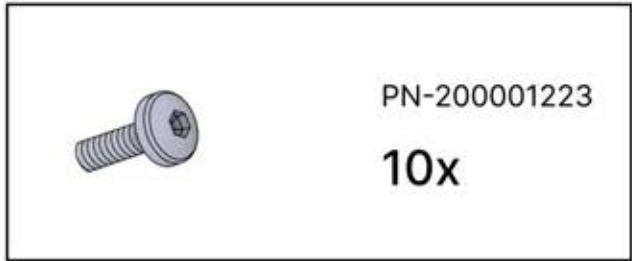
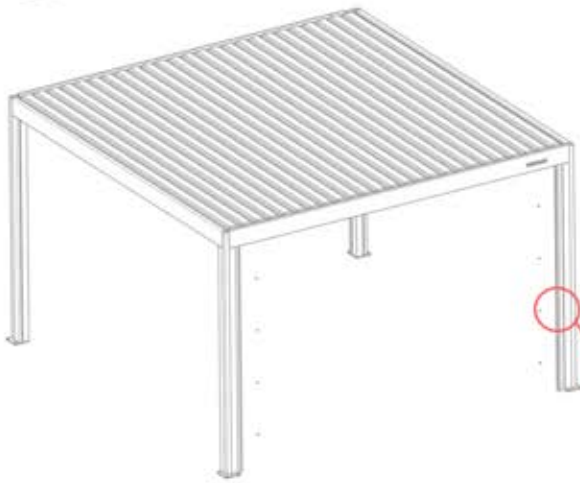
2



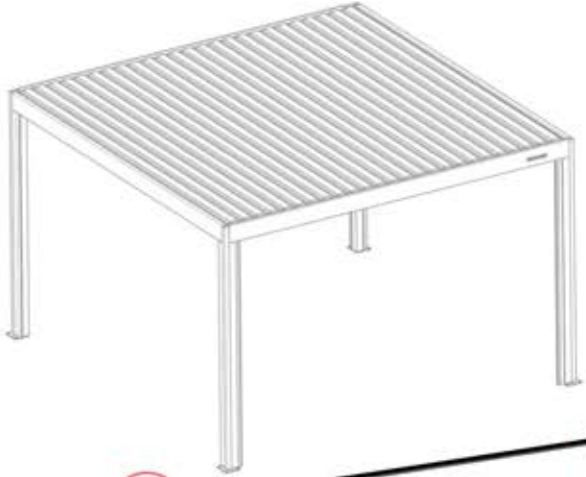
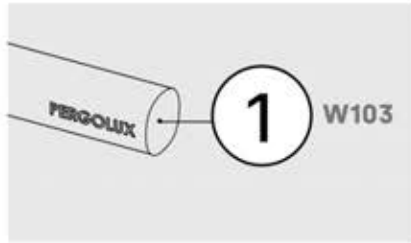
	Slat Side Guides
	2x
	PN-200002908
	2x
	PN-200002907
	10x
	PN-200001223
	10x



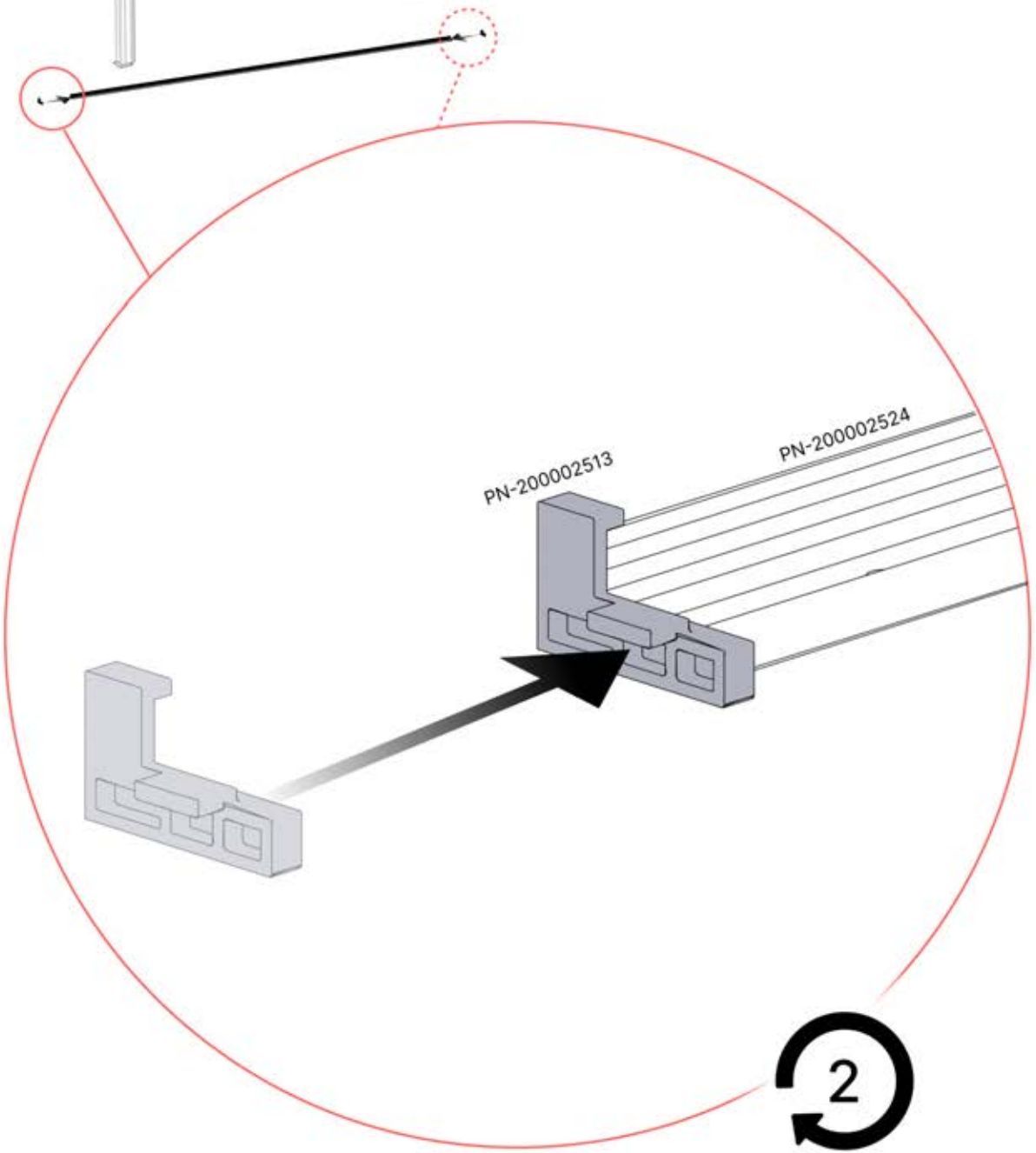
3



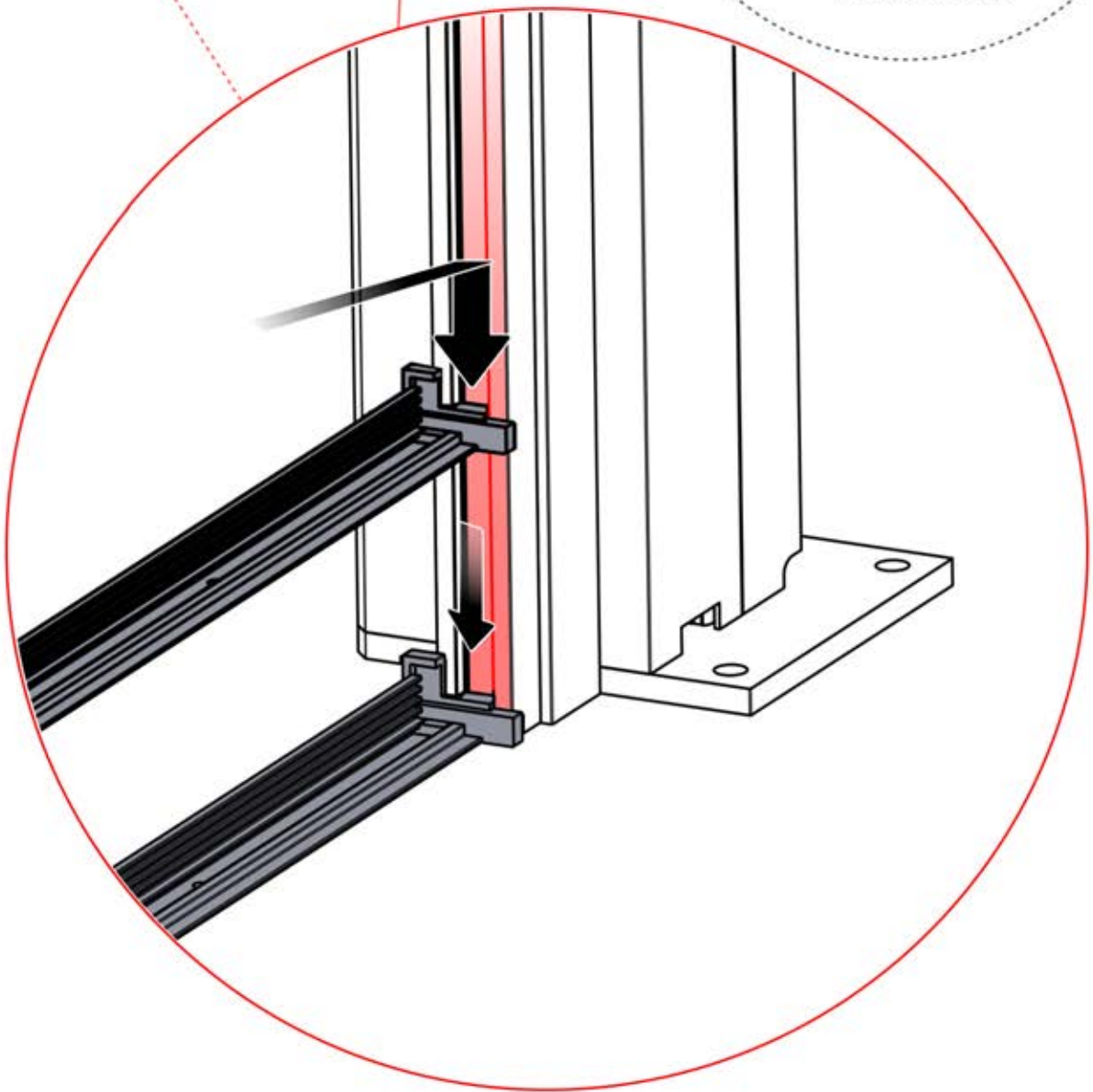
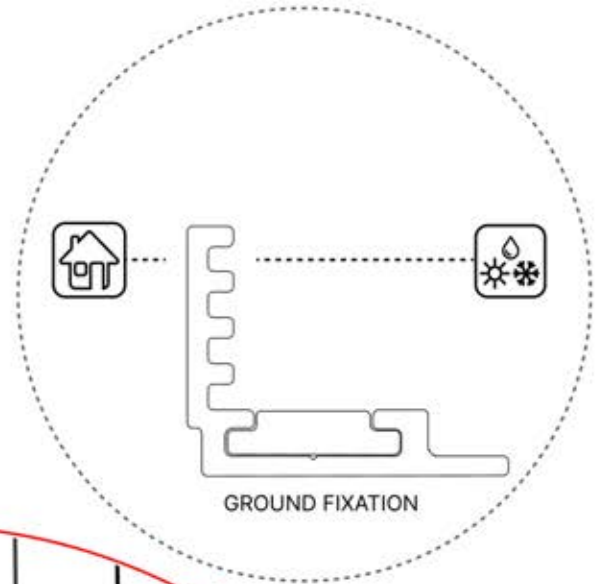
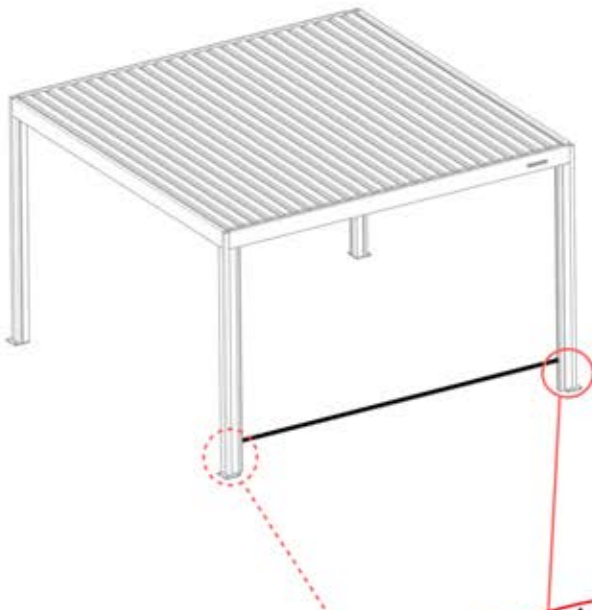
4



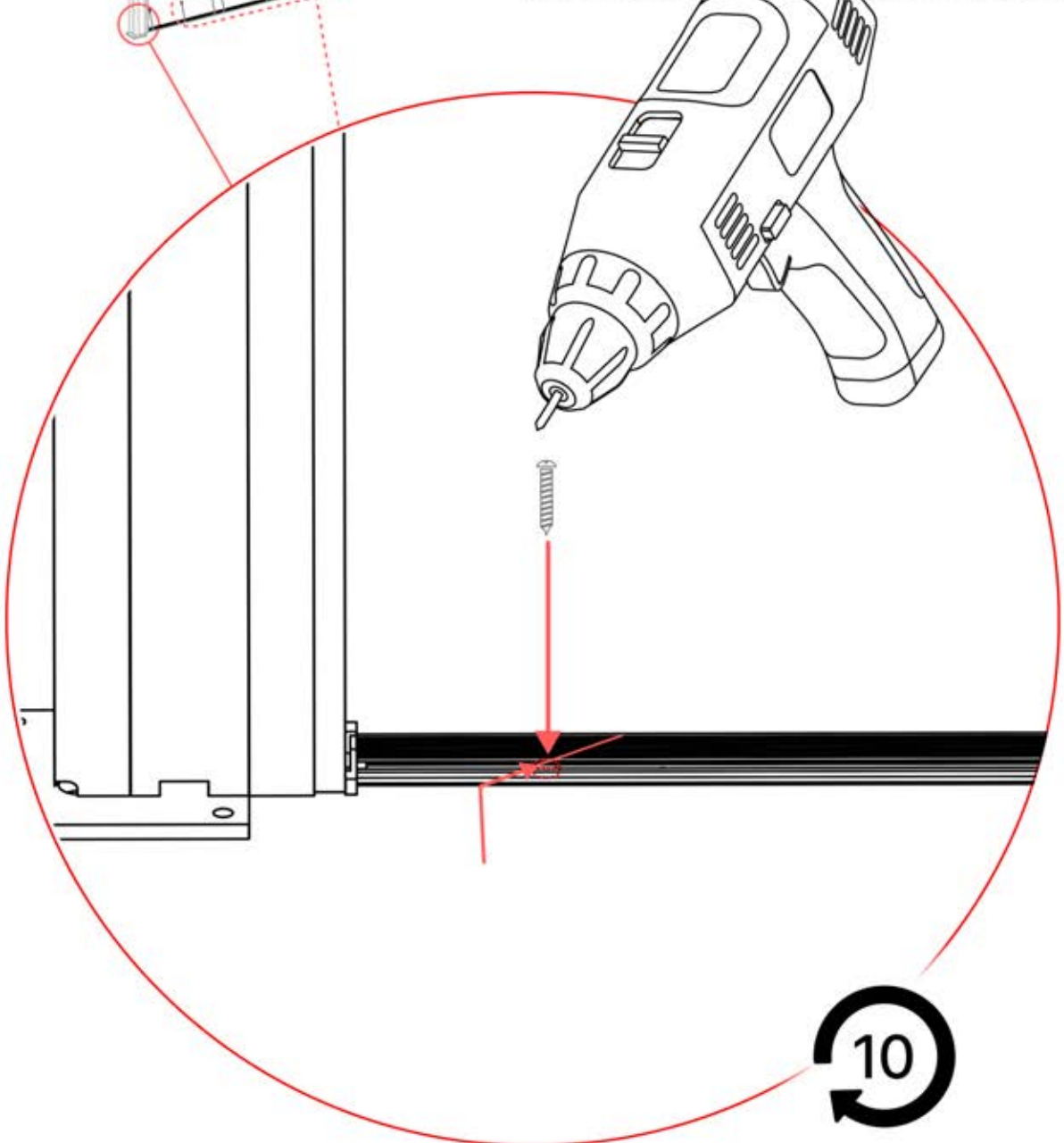
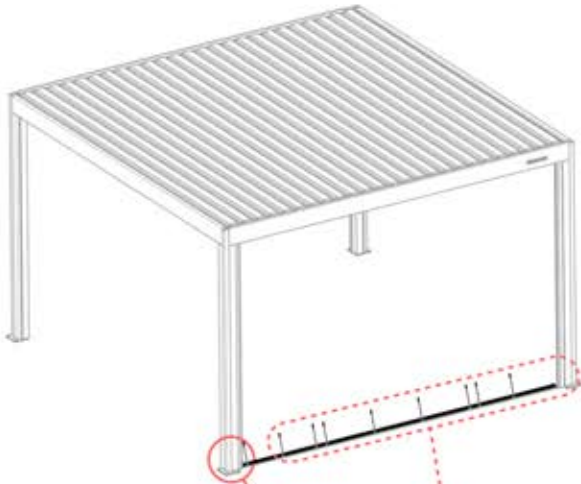
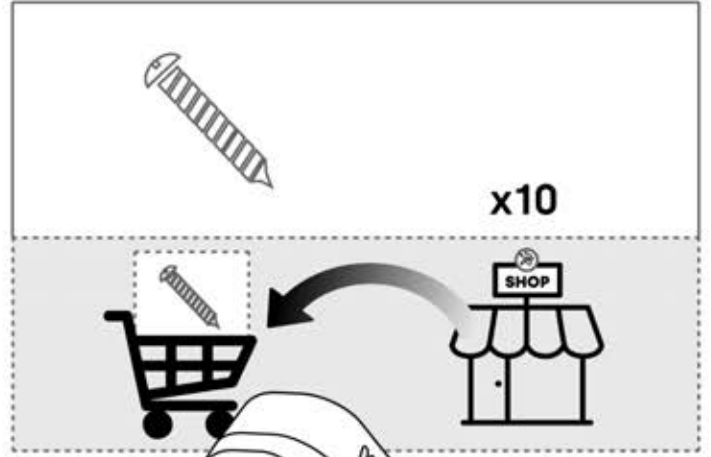
	Ground Fixation PN-200002542 1x
	End Cover Left PN-200002510 x1
	End Cover Right PN-200002513 x1



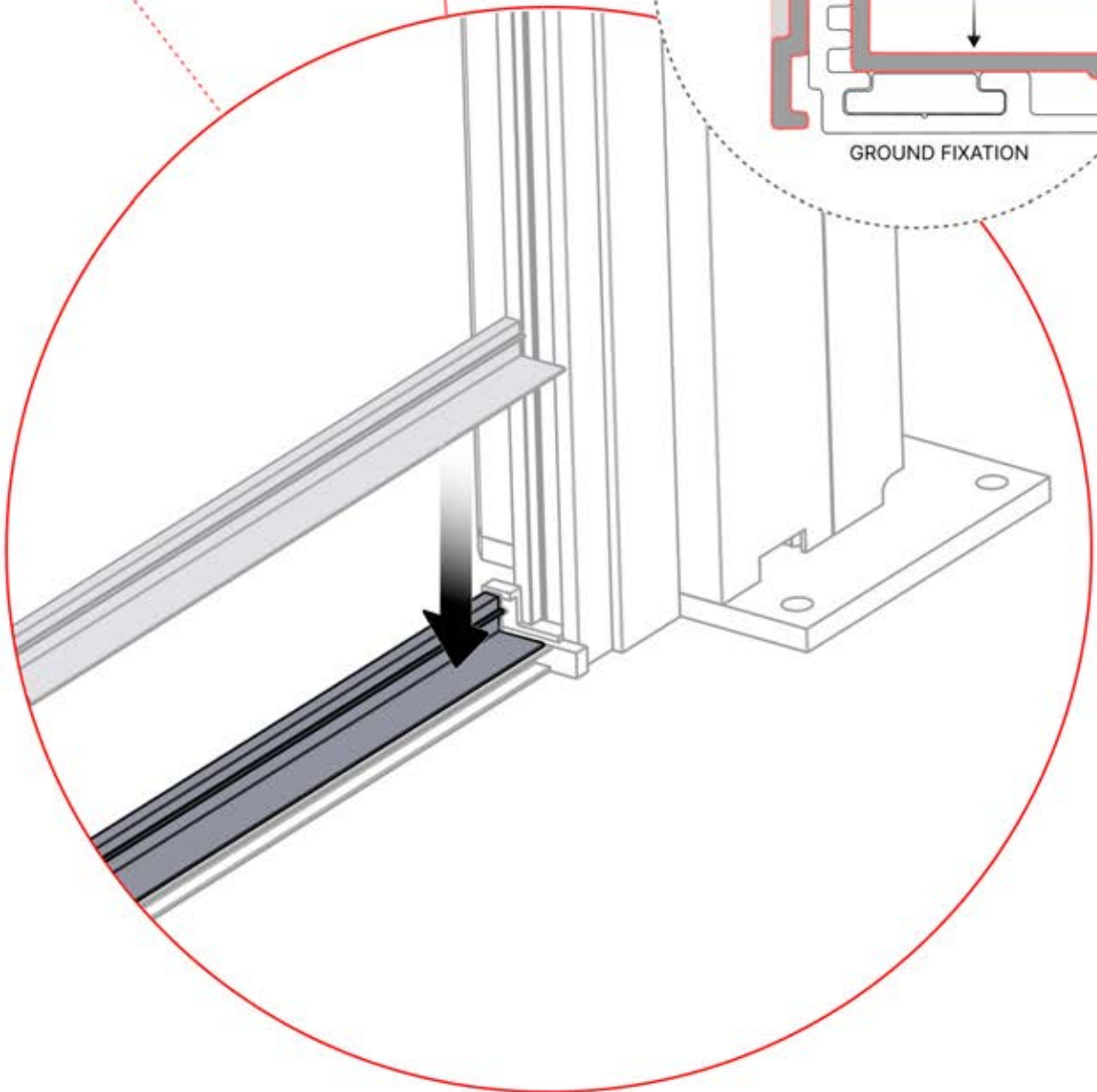
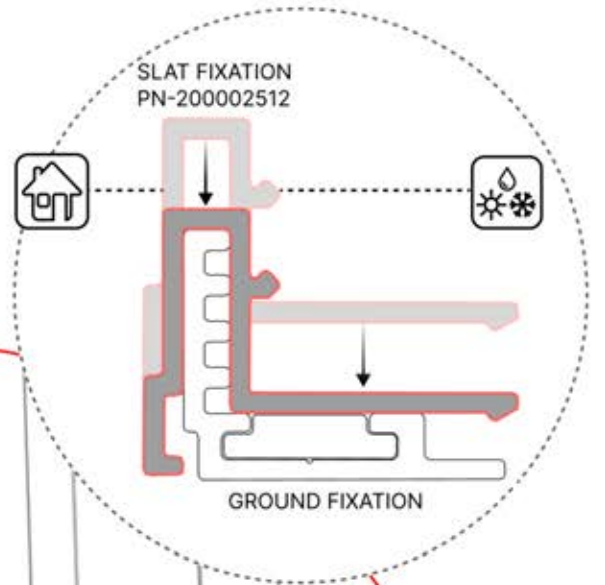
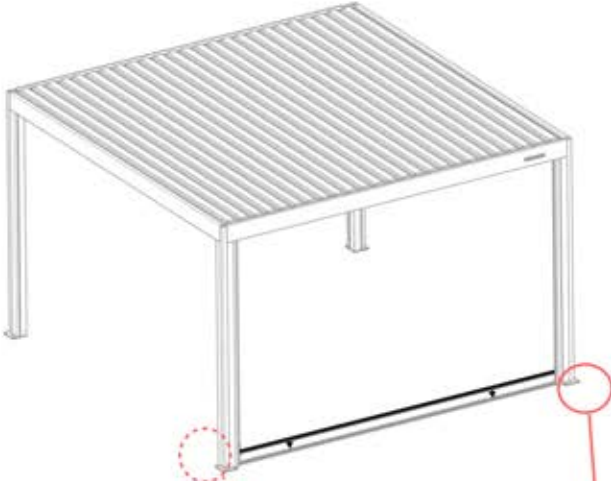
5



6



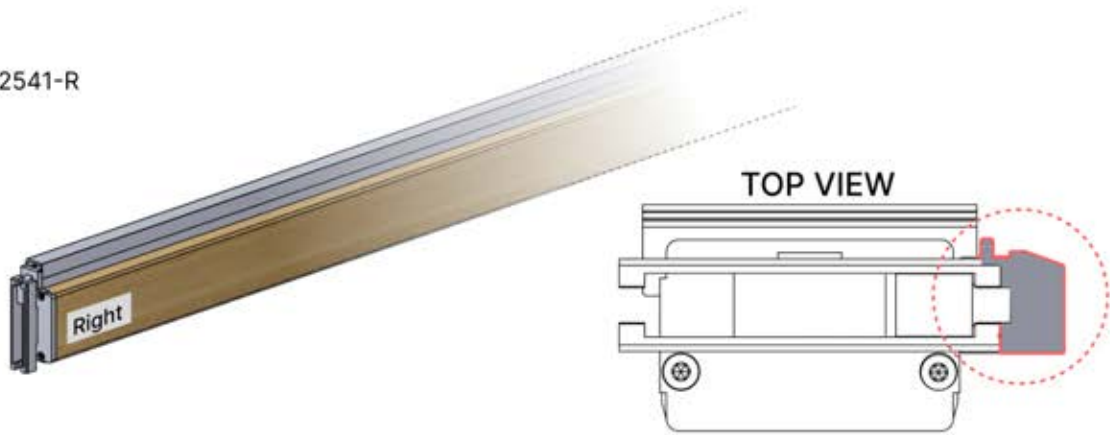
7



SLAT OVERVIEW

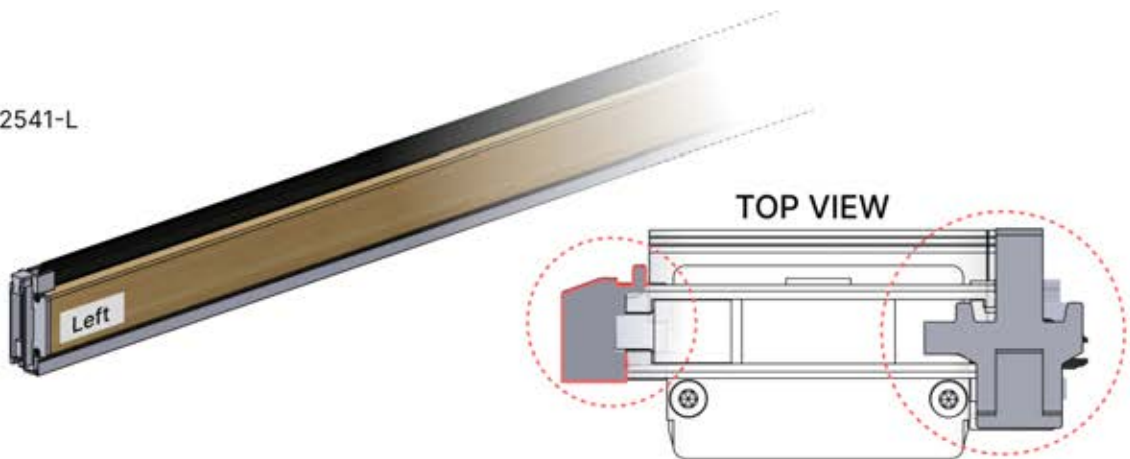
Slat Right
PN-200002541-R

1x

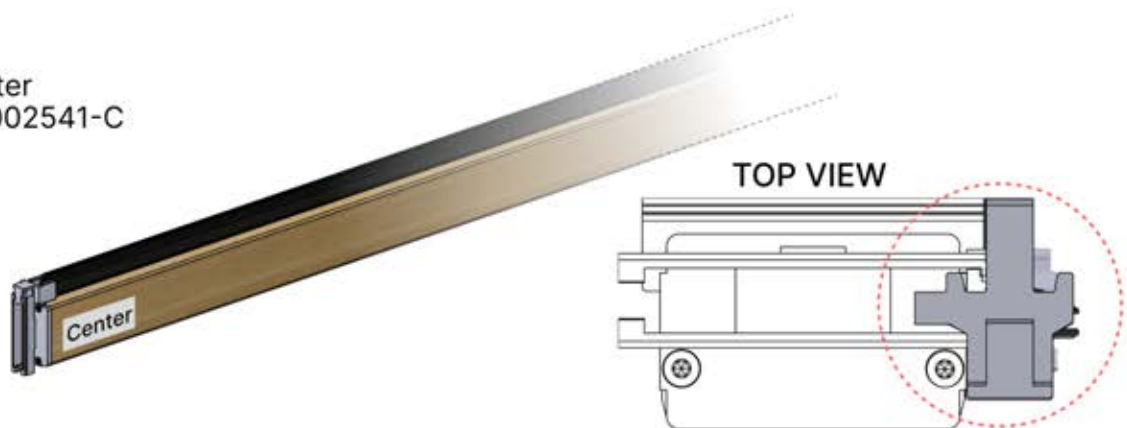


Slat Left
PN-200002541-L

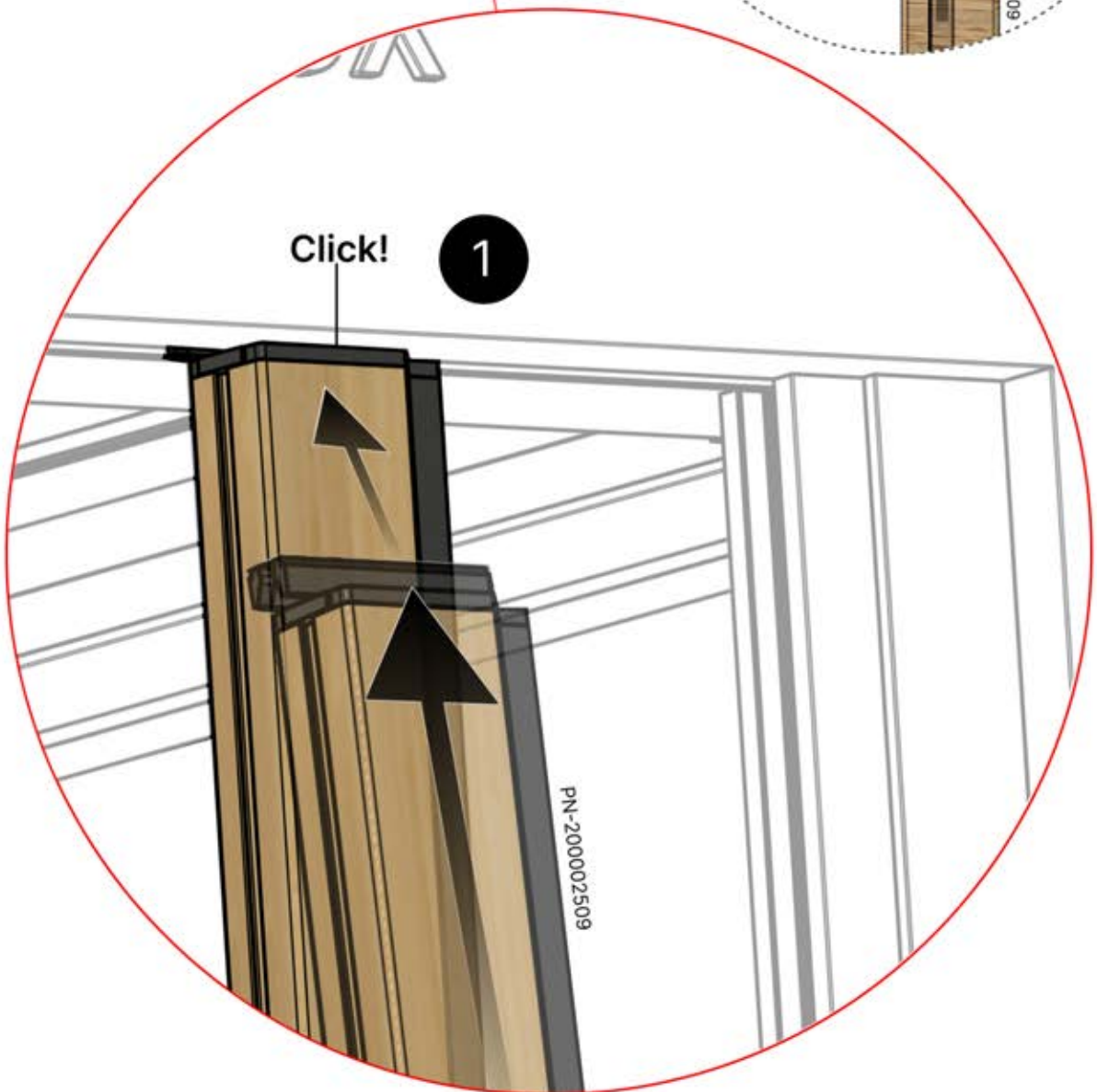
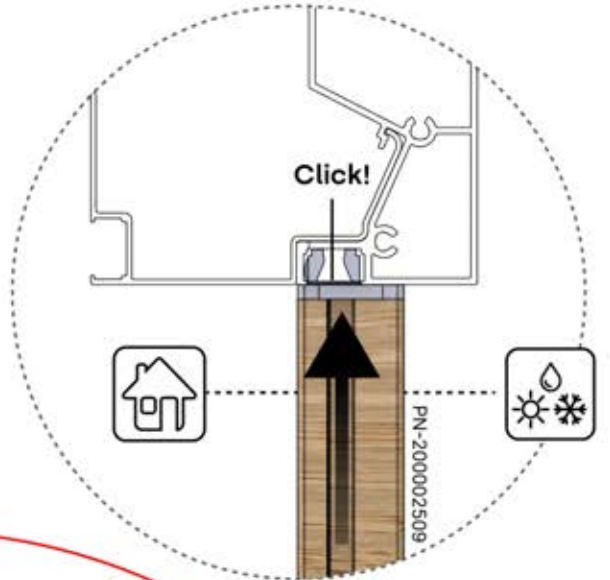
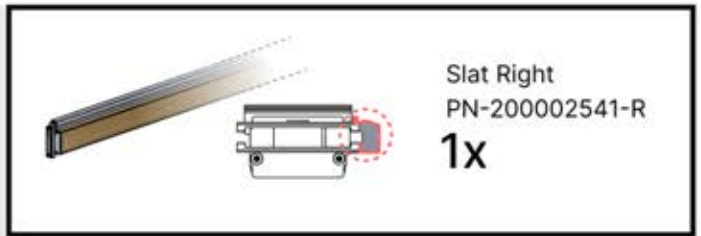
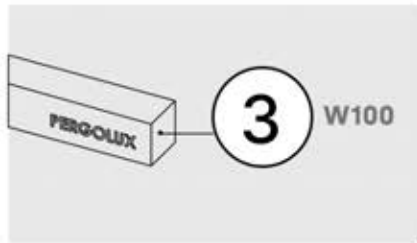
1x



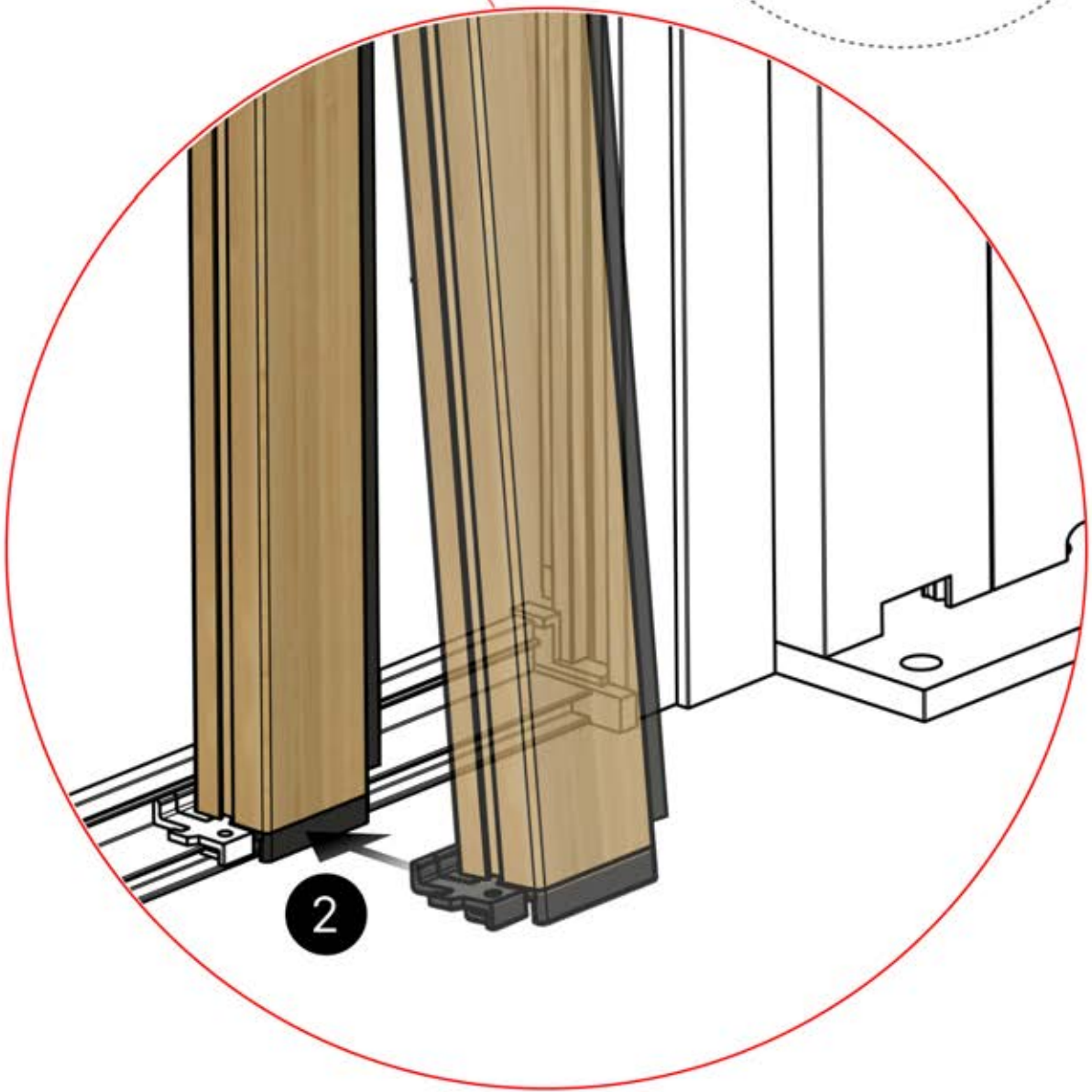
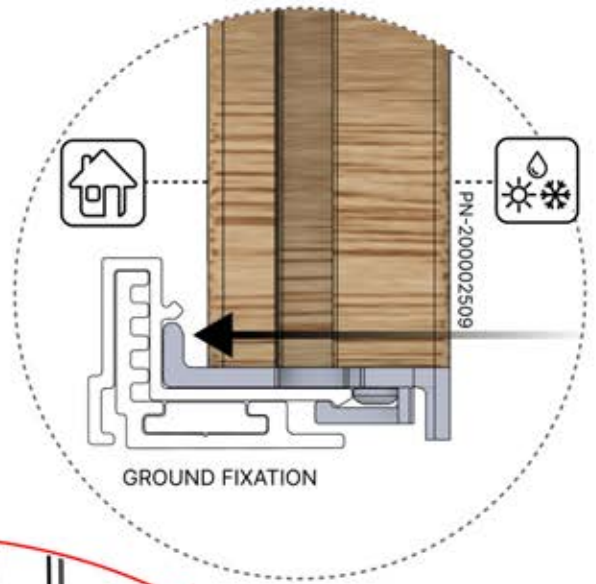
Slat Center
PN-200002541-C



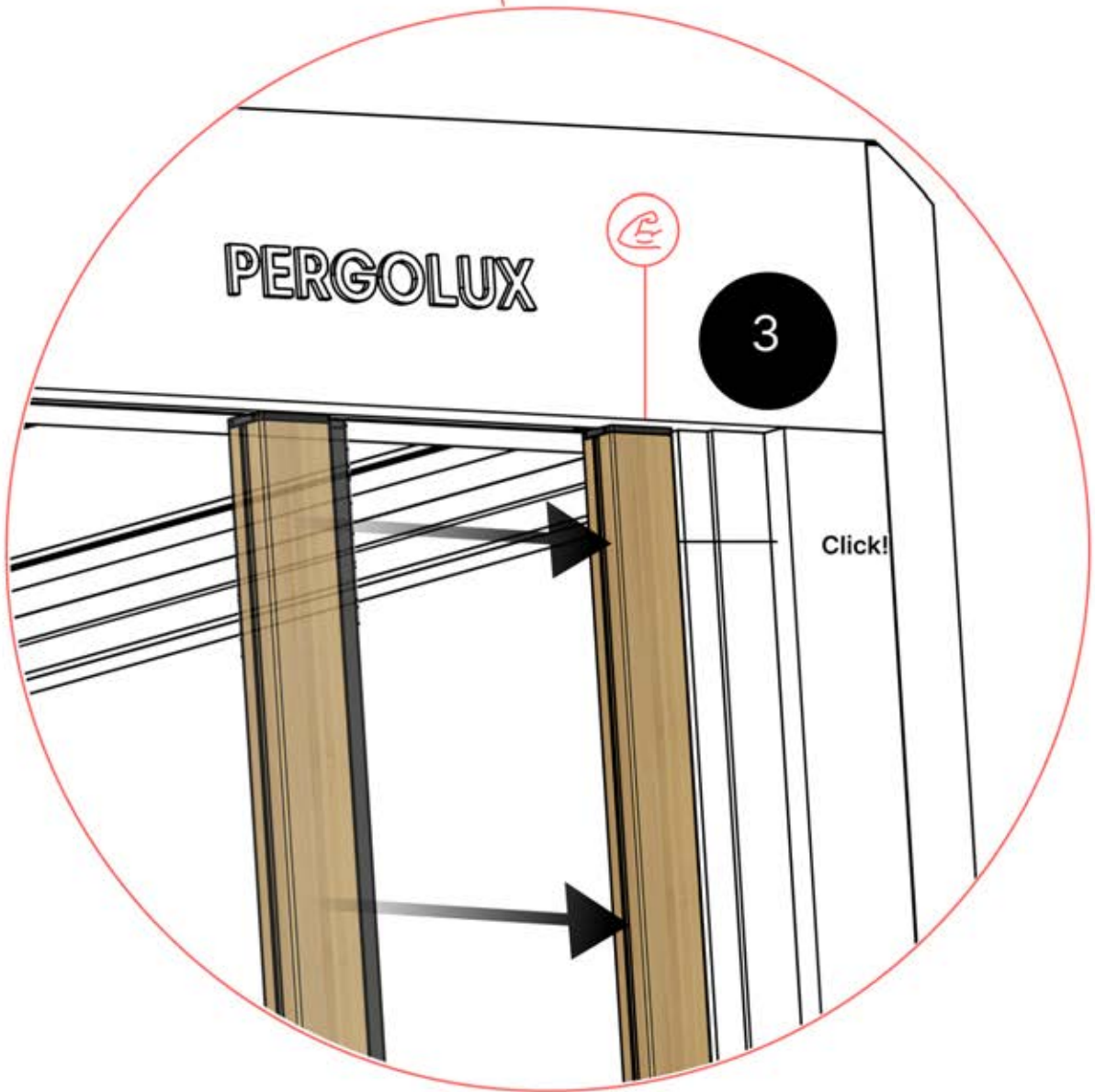
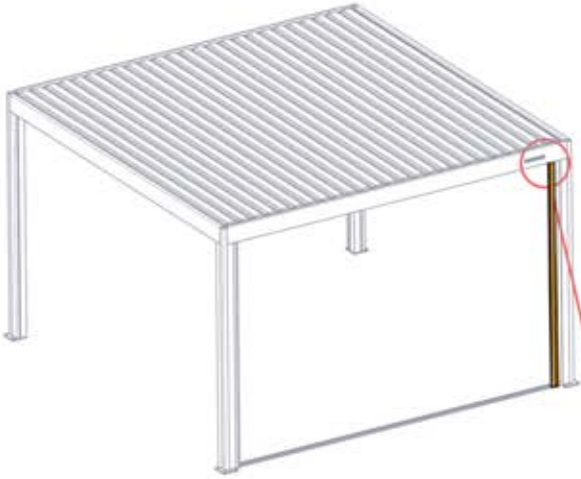
8



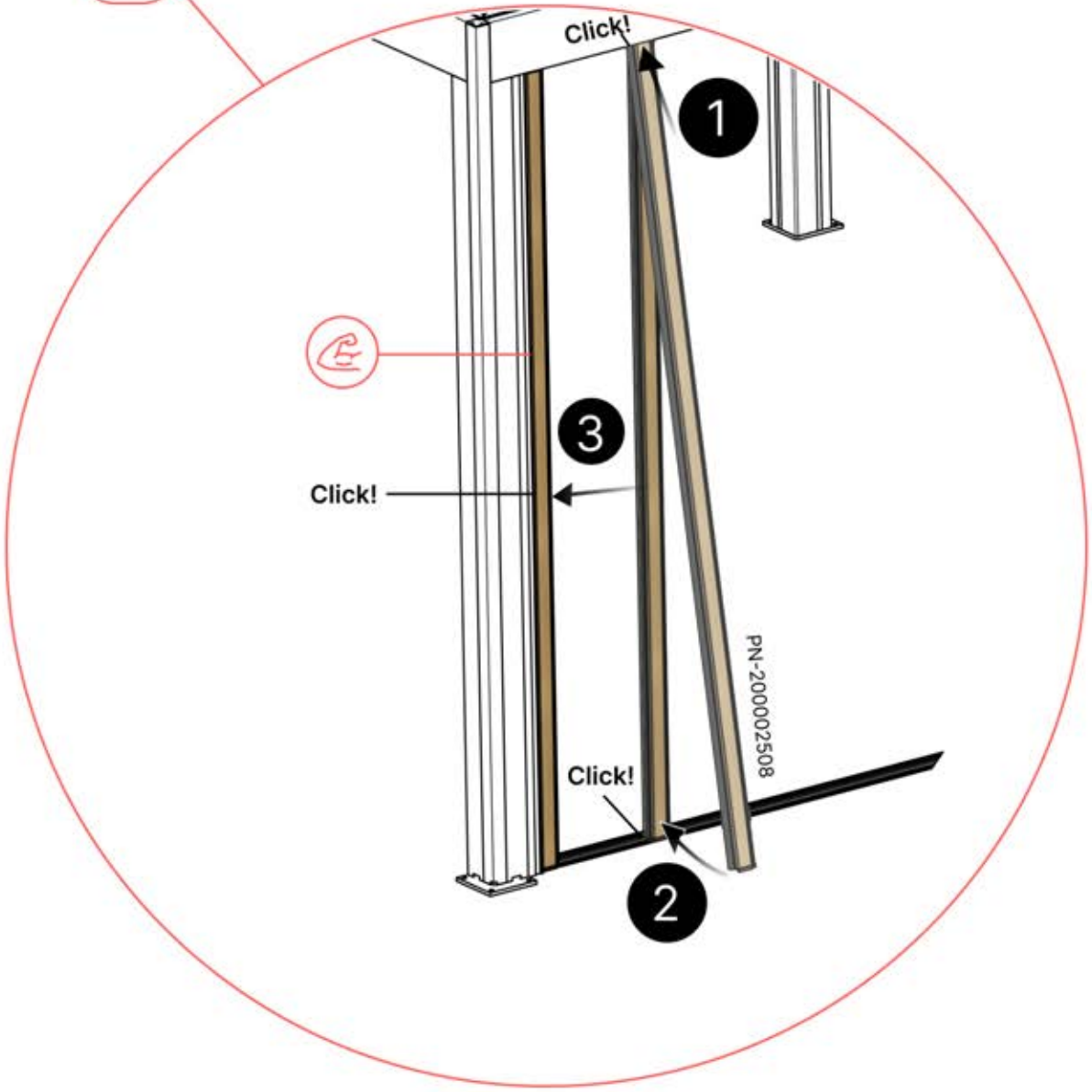
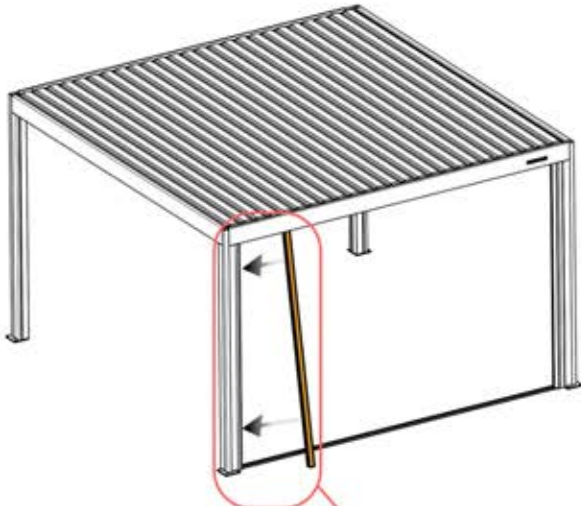
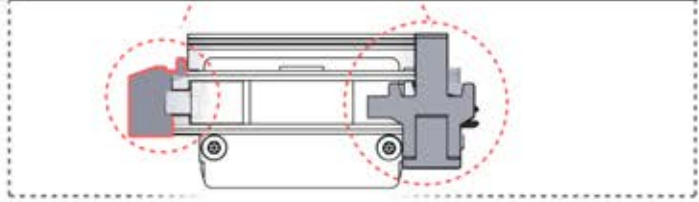
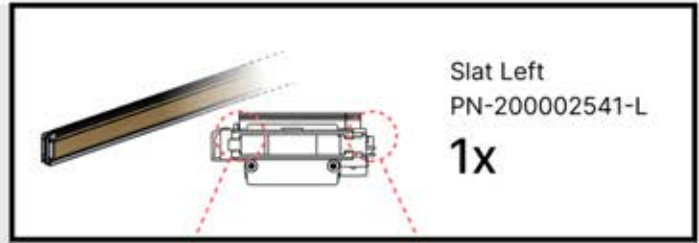
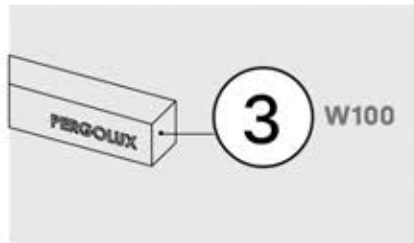
9



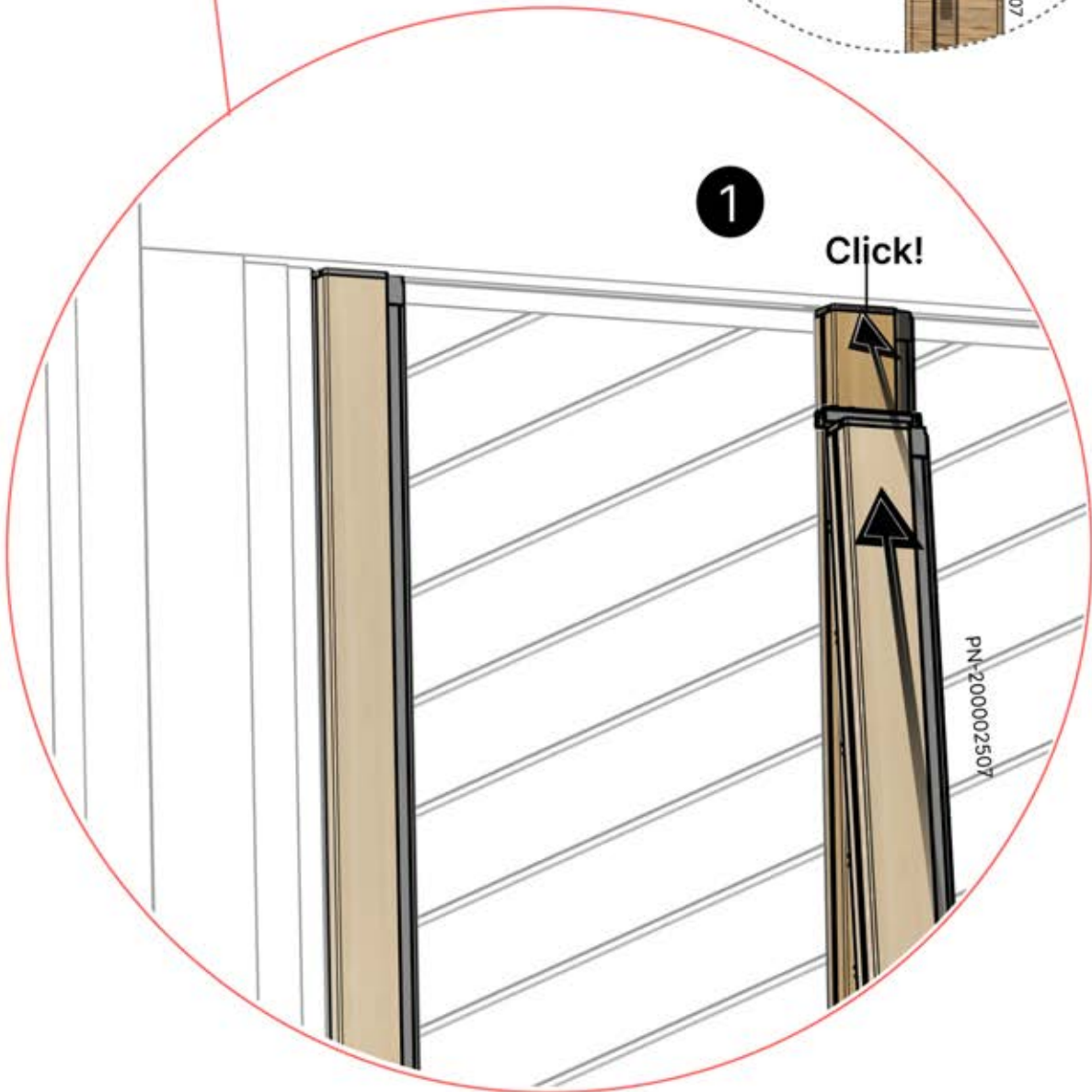
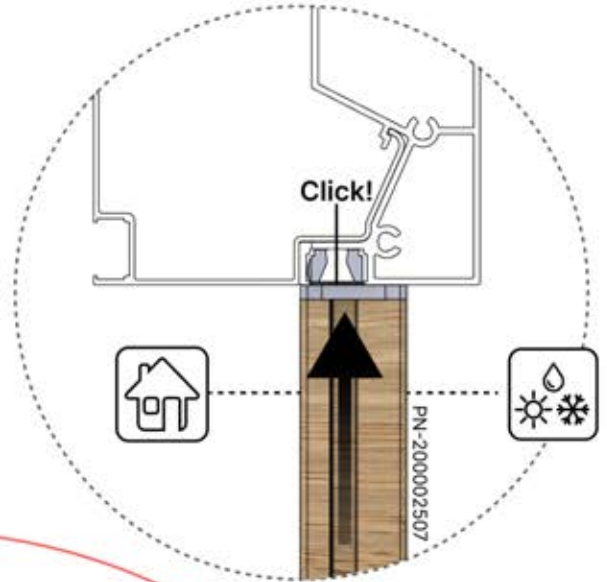
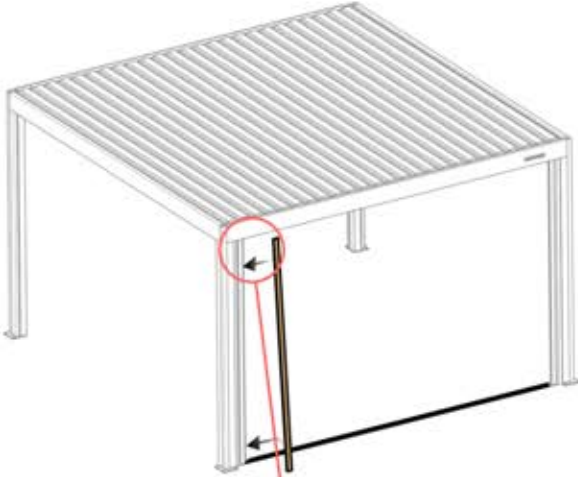
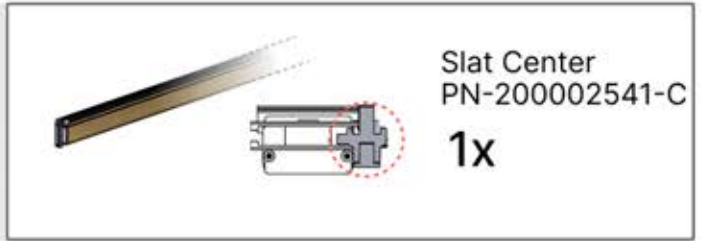
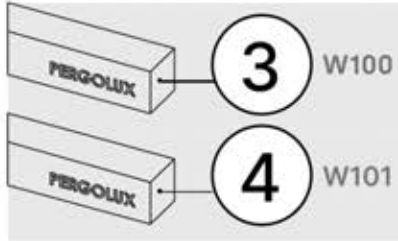
10



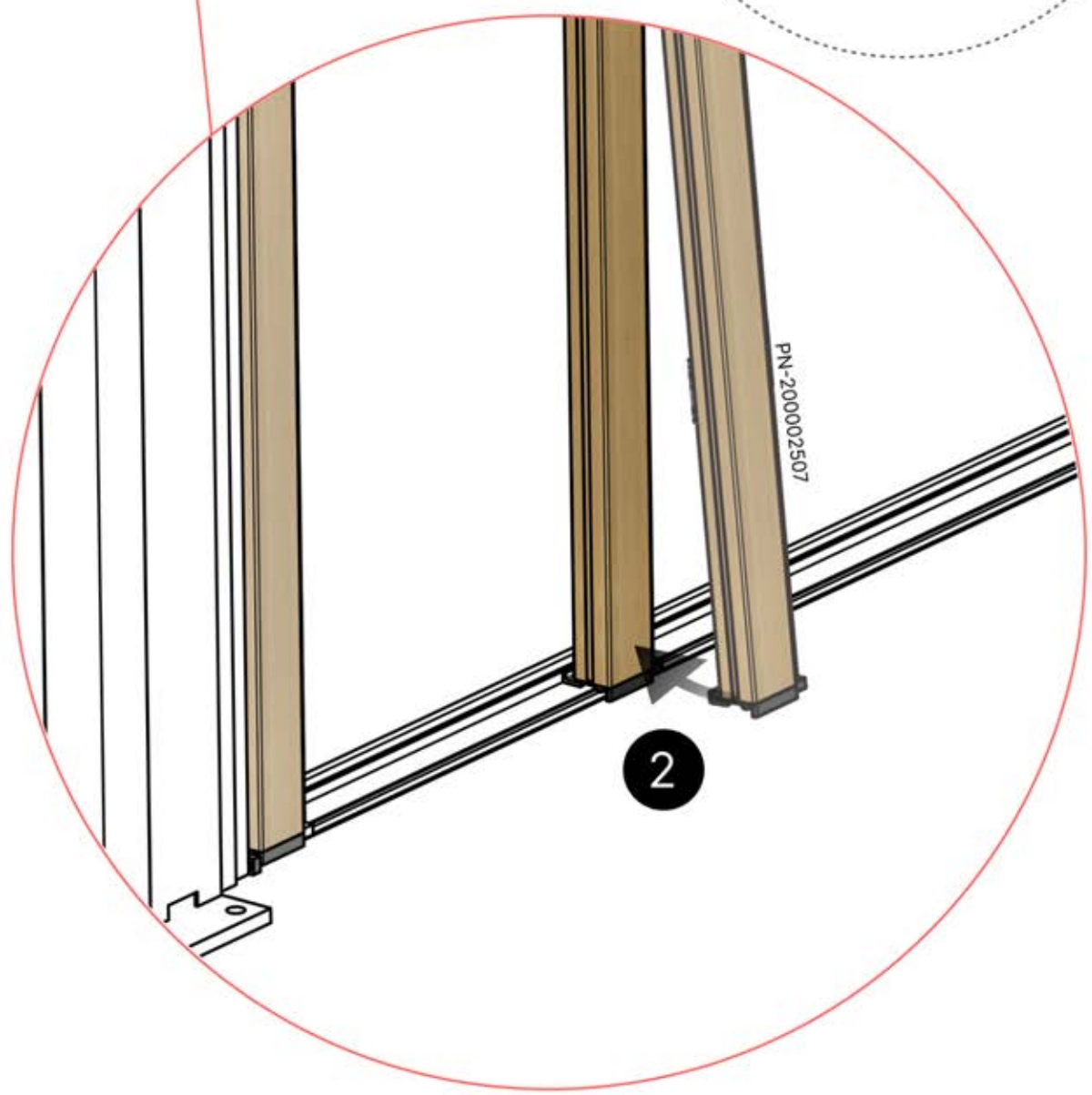
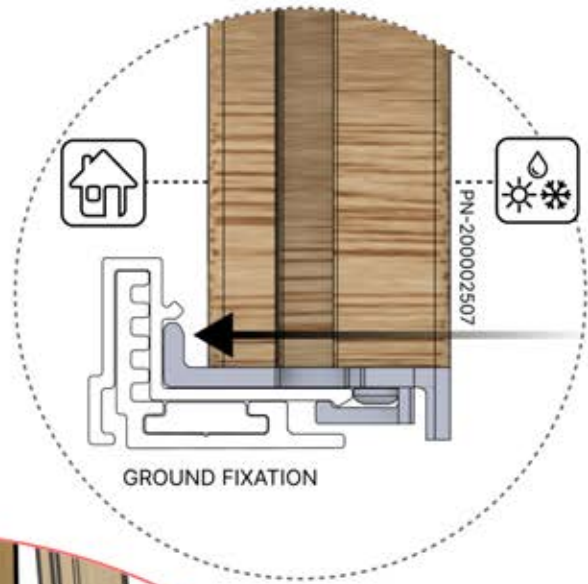
11



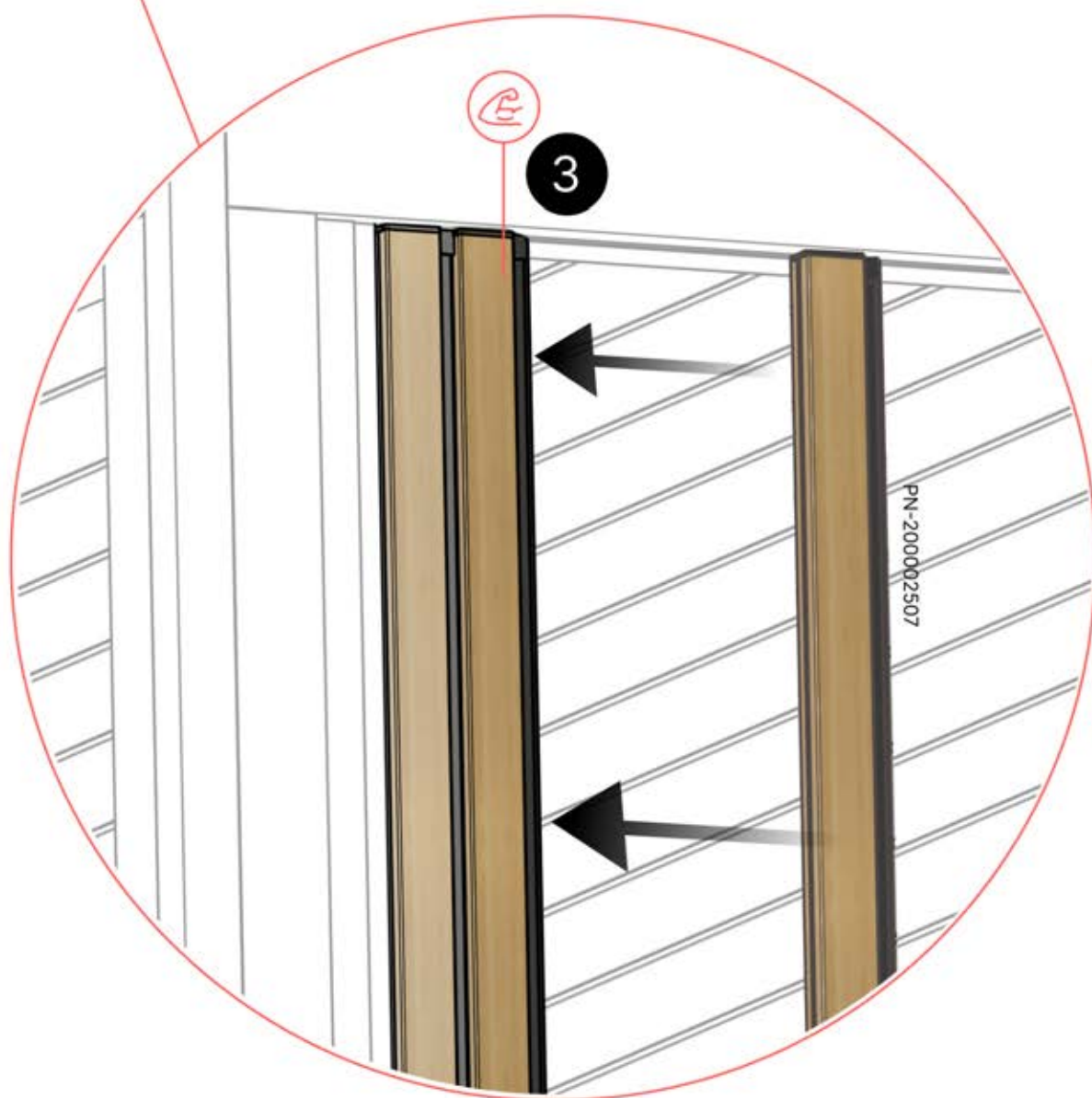
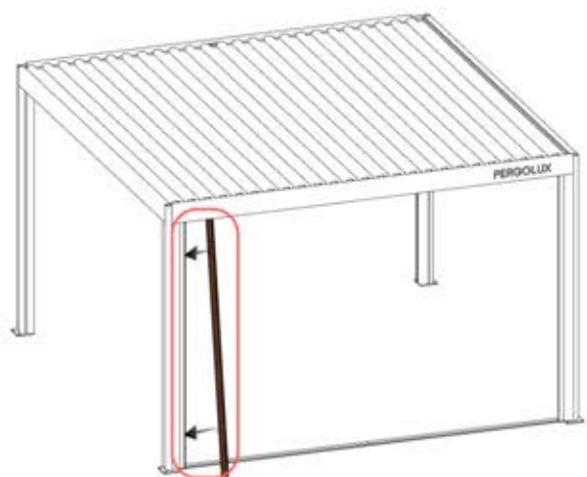
12



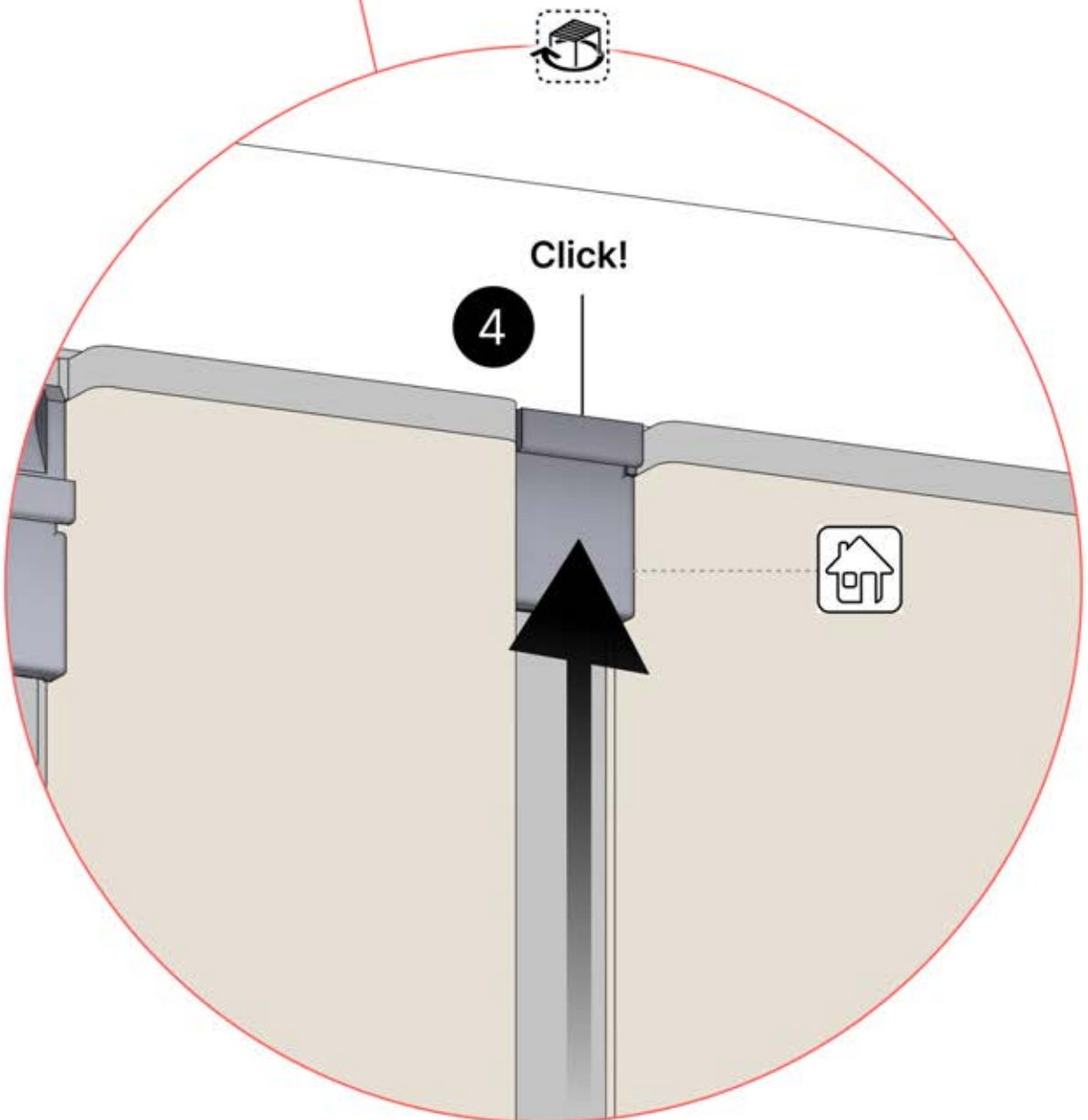
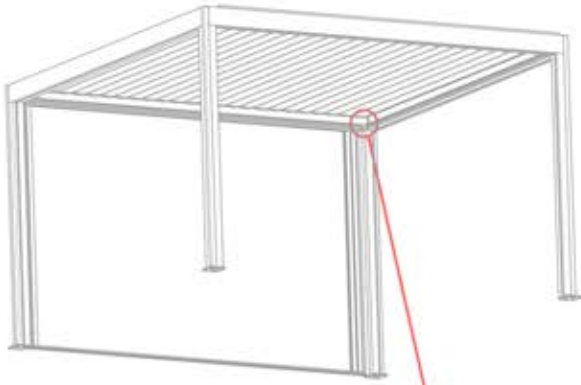
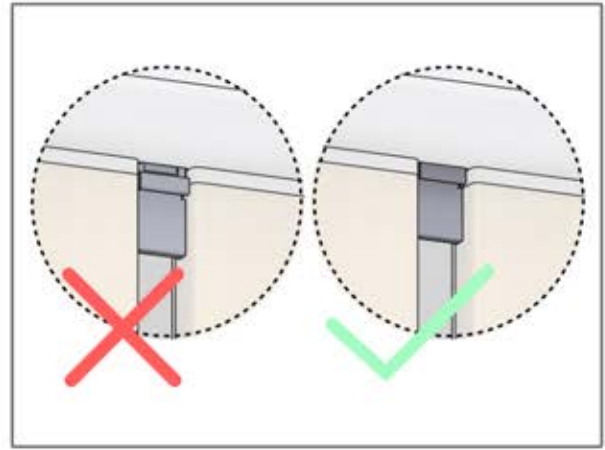
13



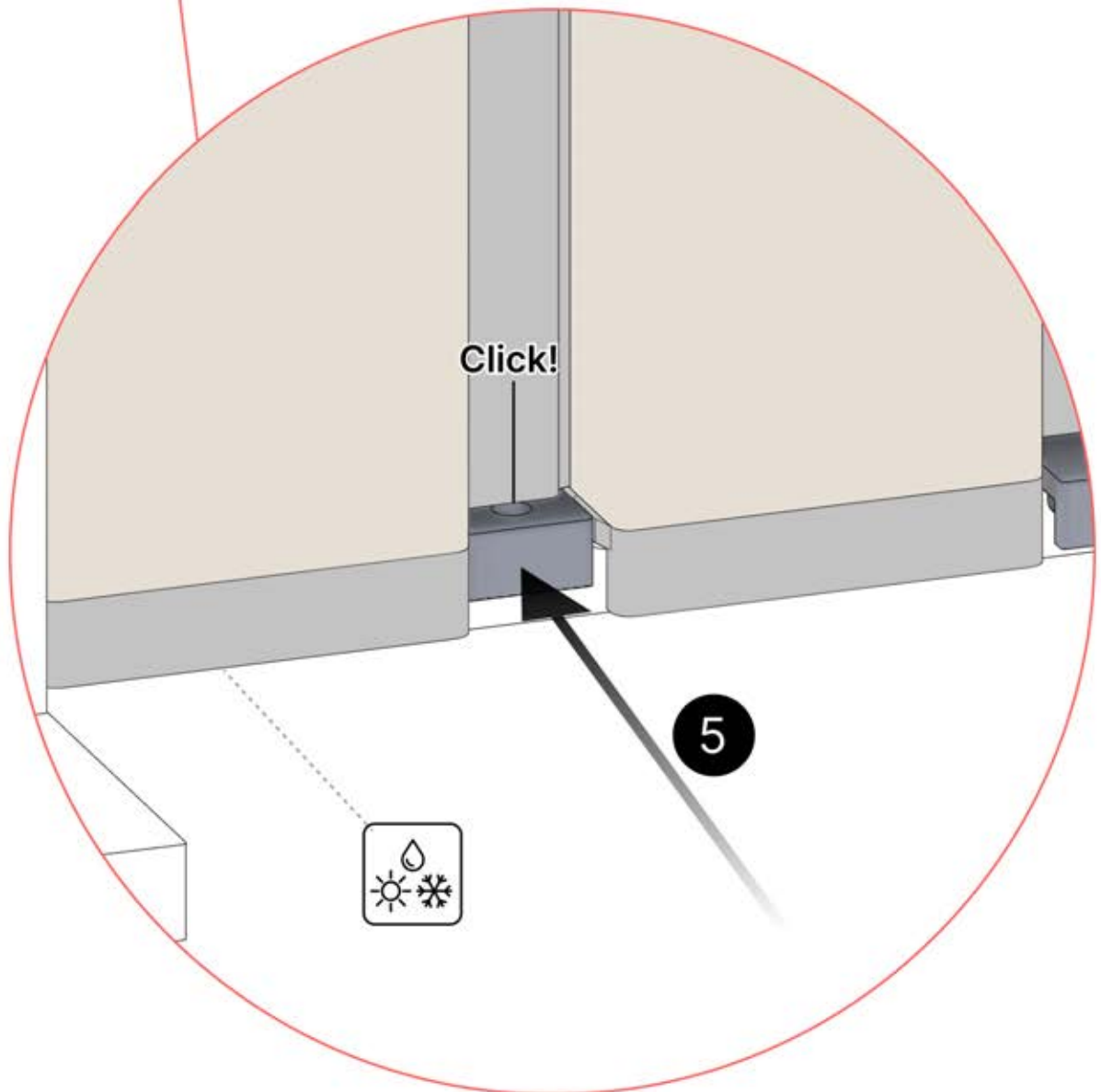
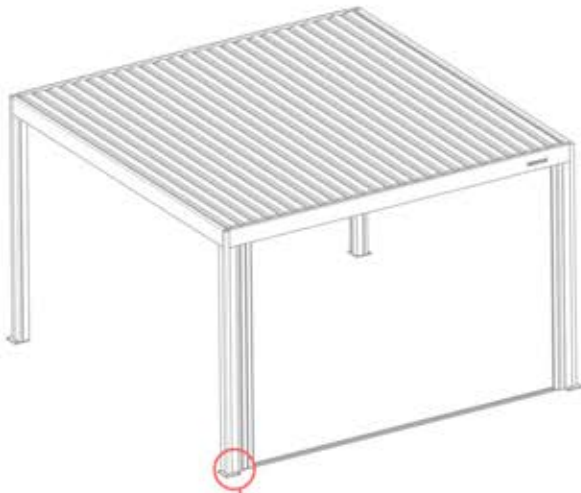
14



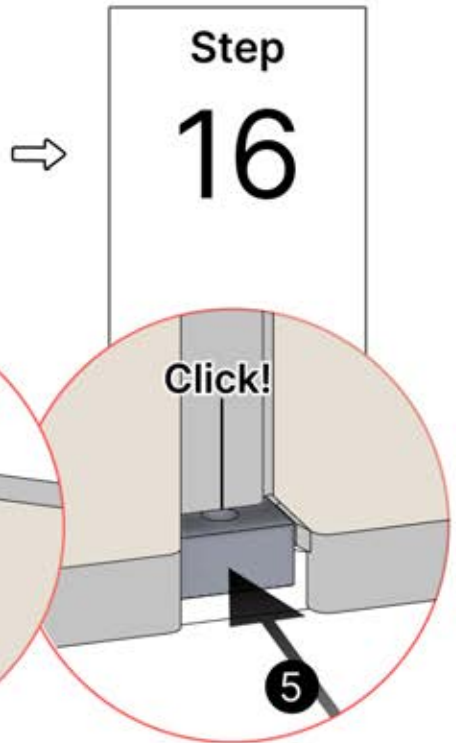
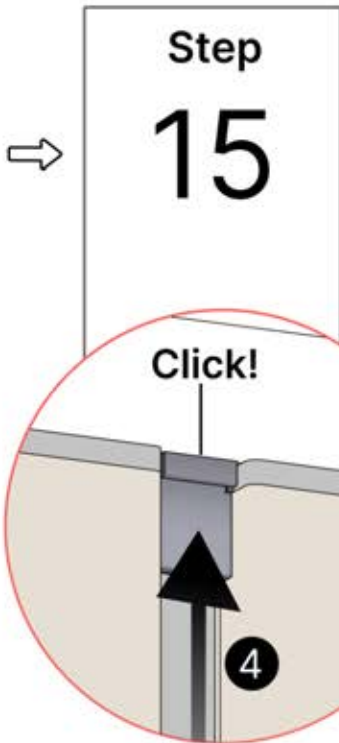
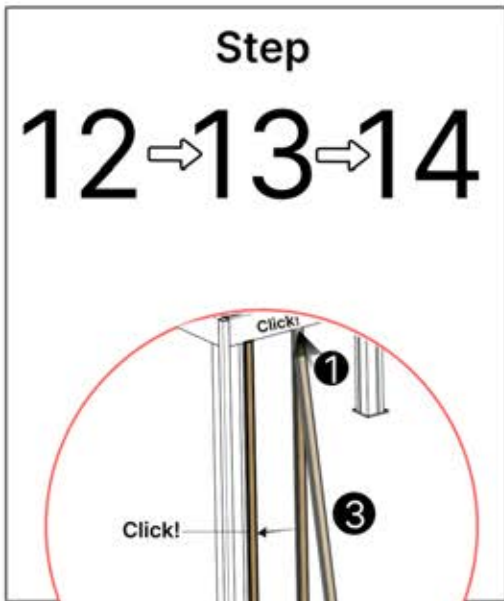
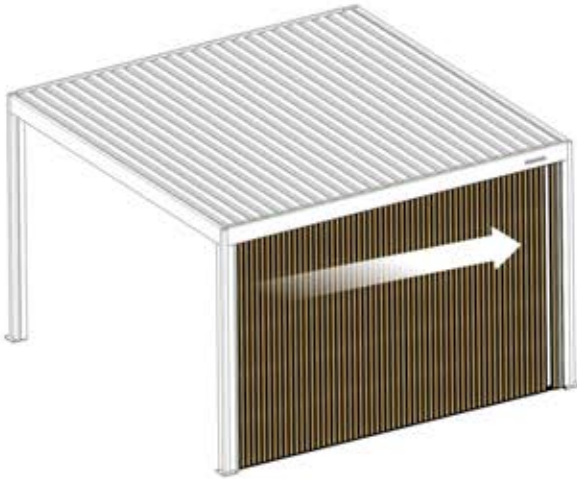
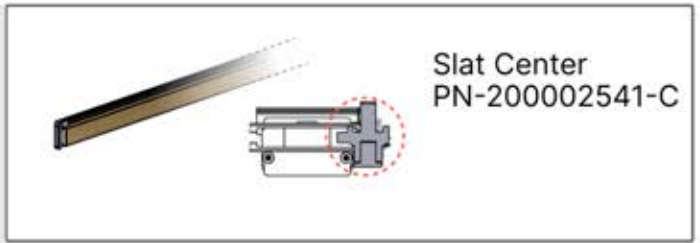
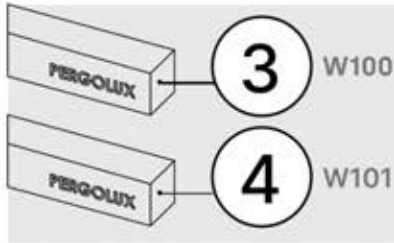
15



16



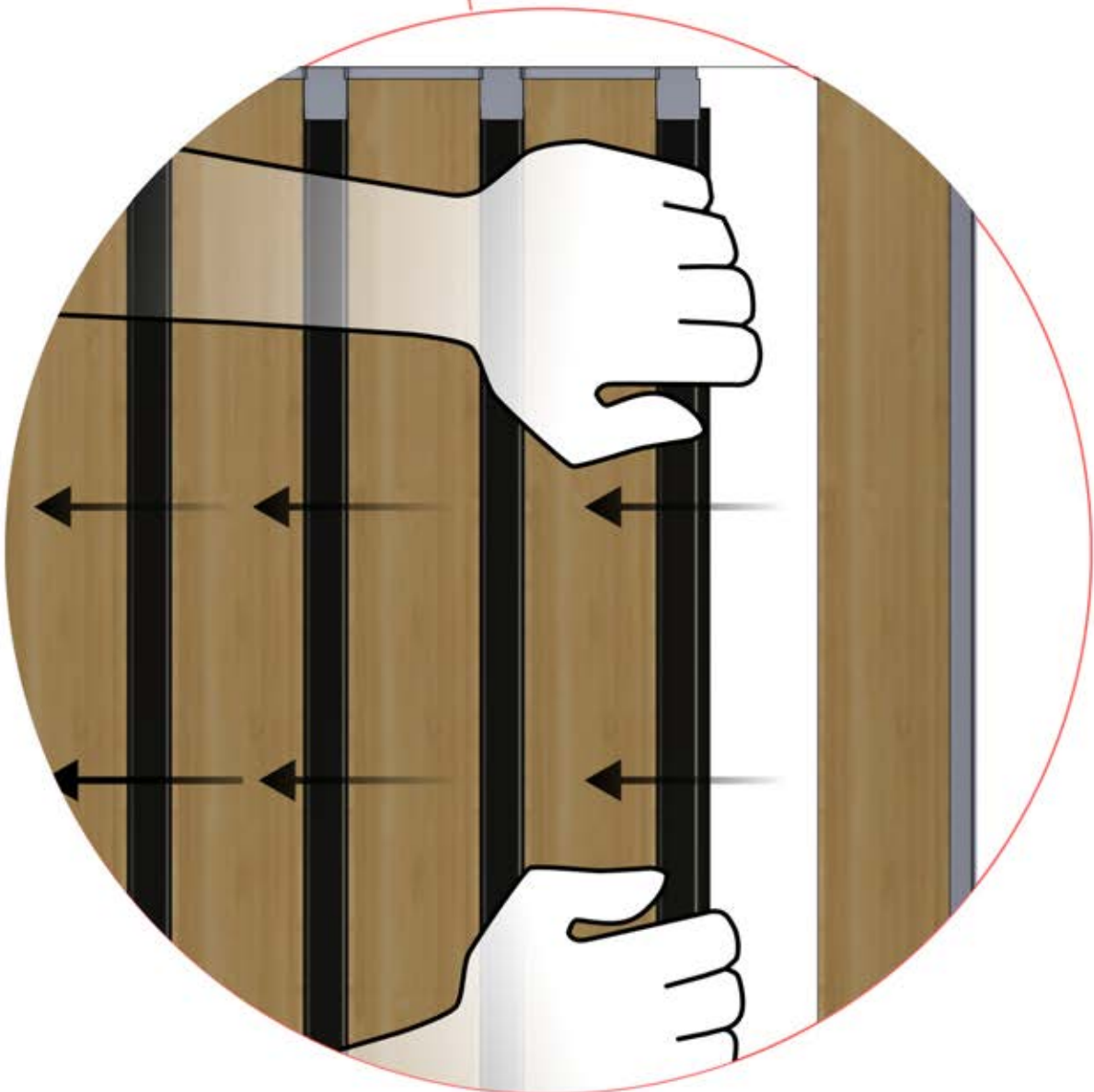
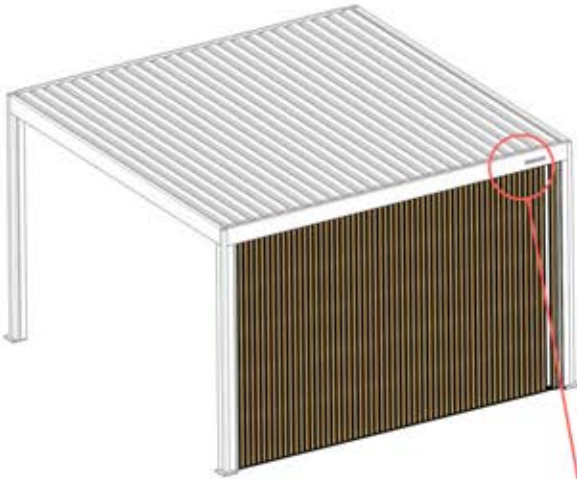
17



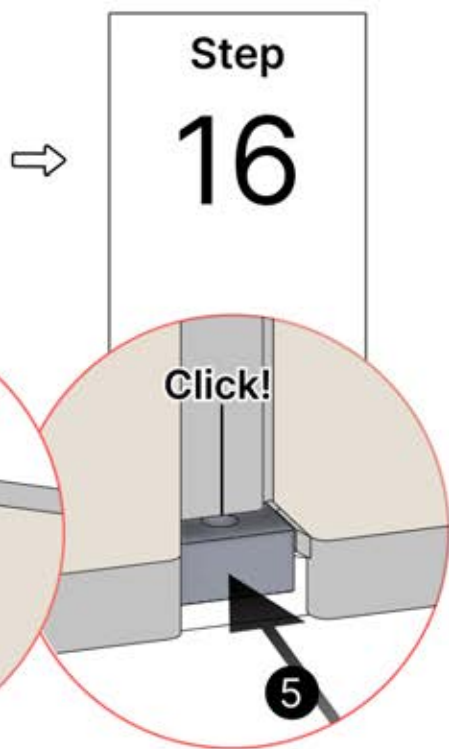
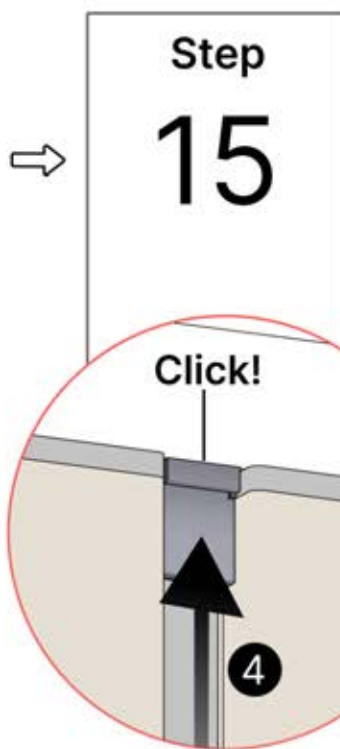
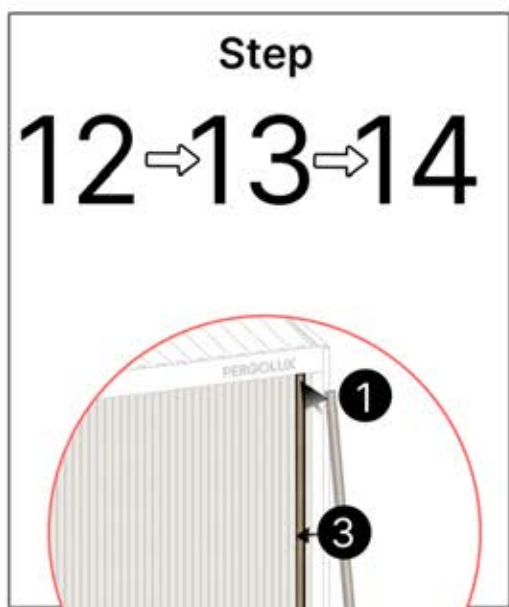
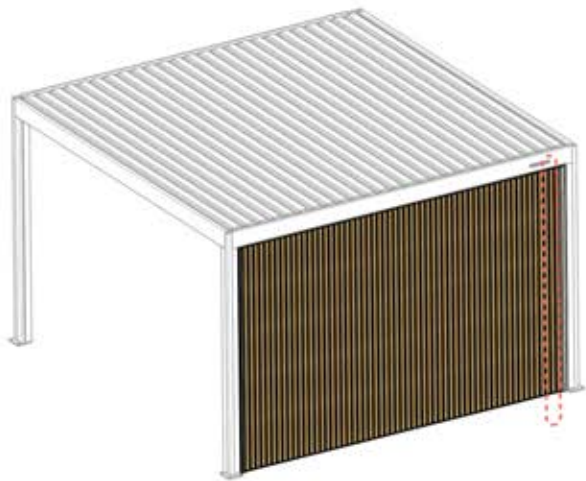
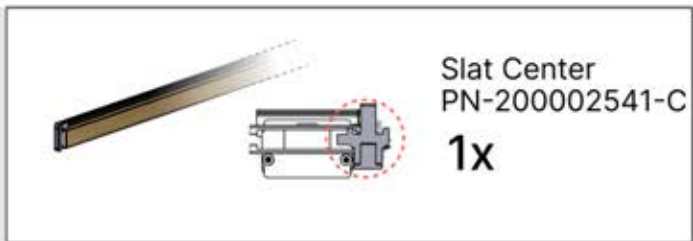
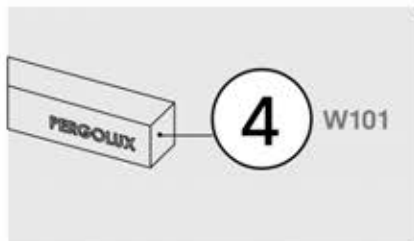
18



The last step can be a bit tricky, we recommend to press all profiles closely together to avoid leaving any gaps, which could prevent the last profile from fitting in place.



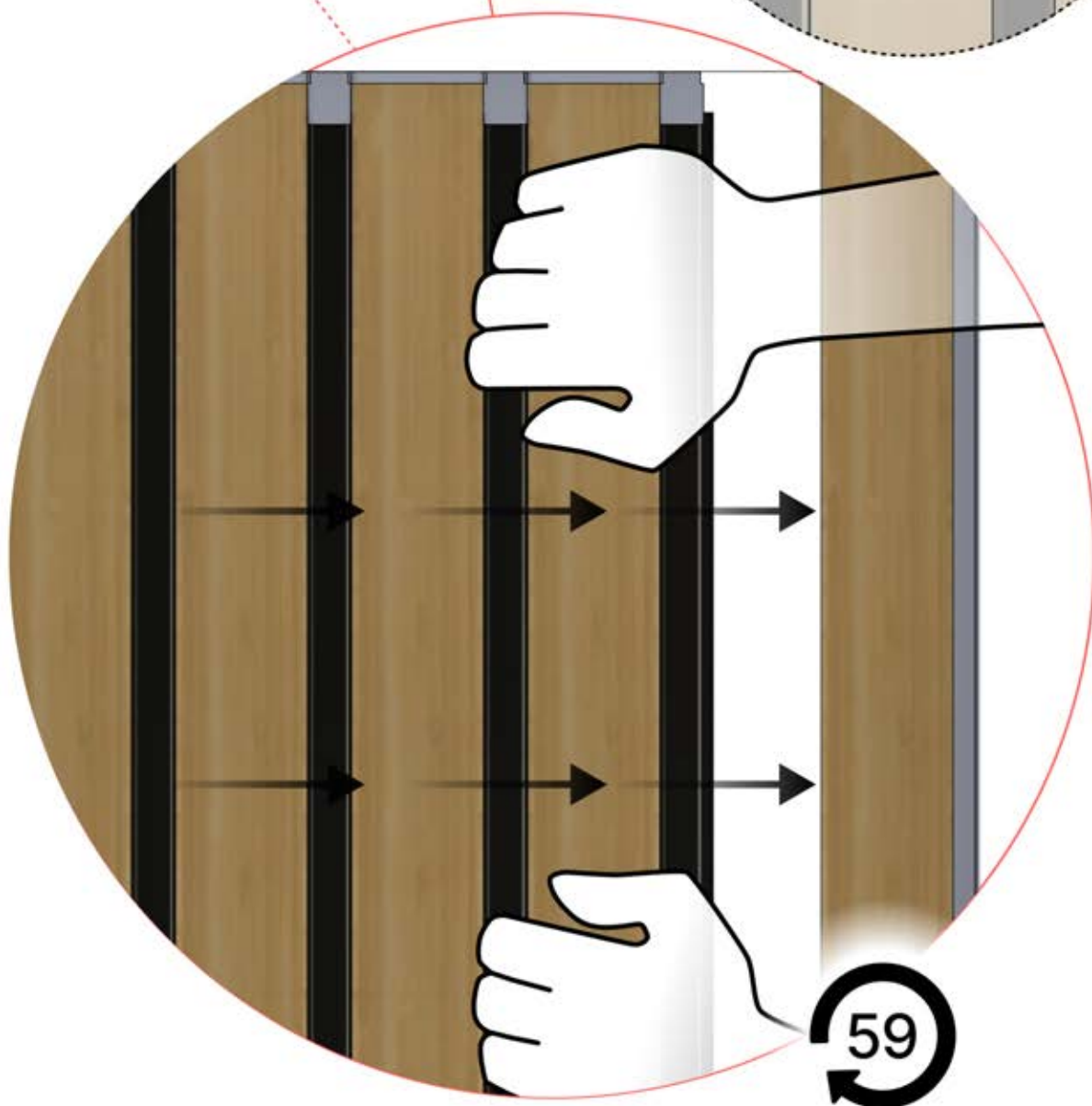
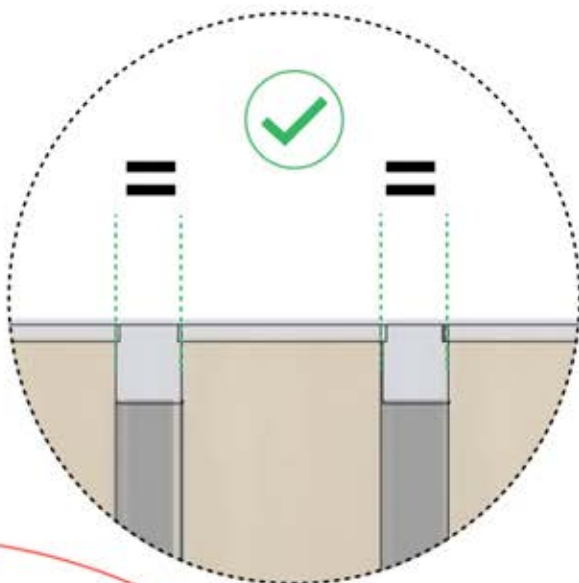
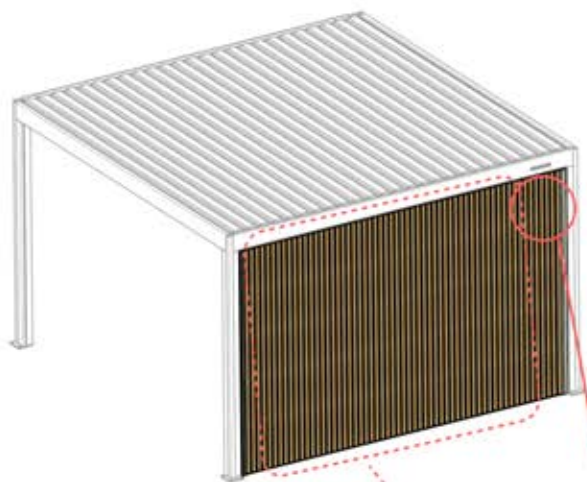
19



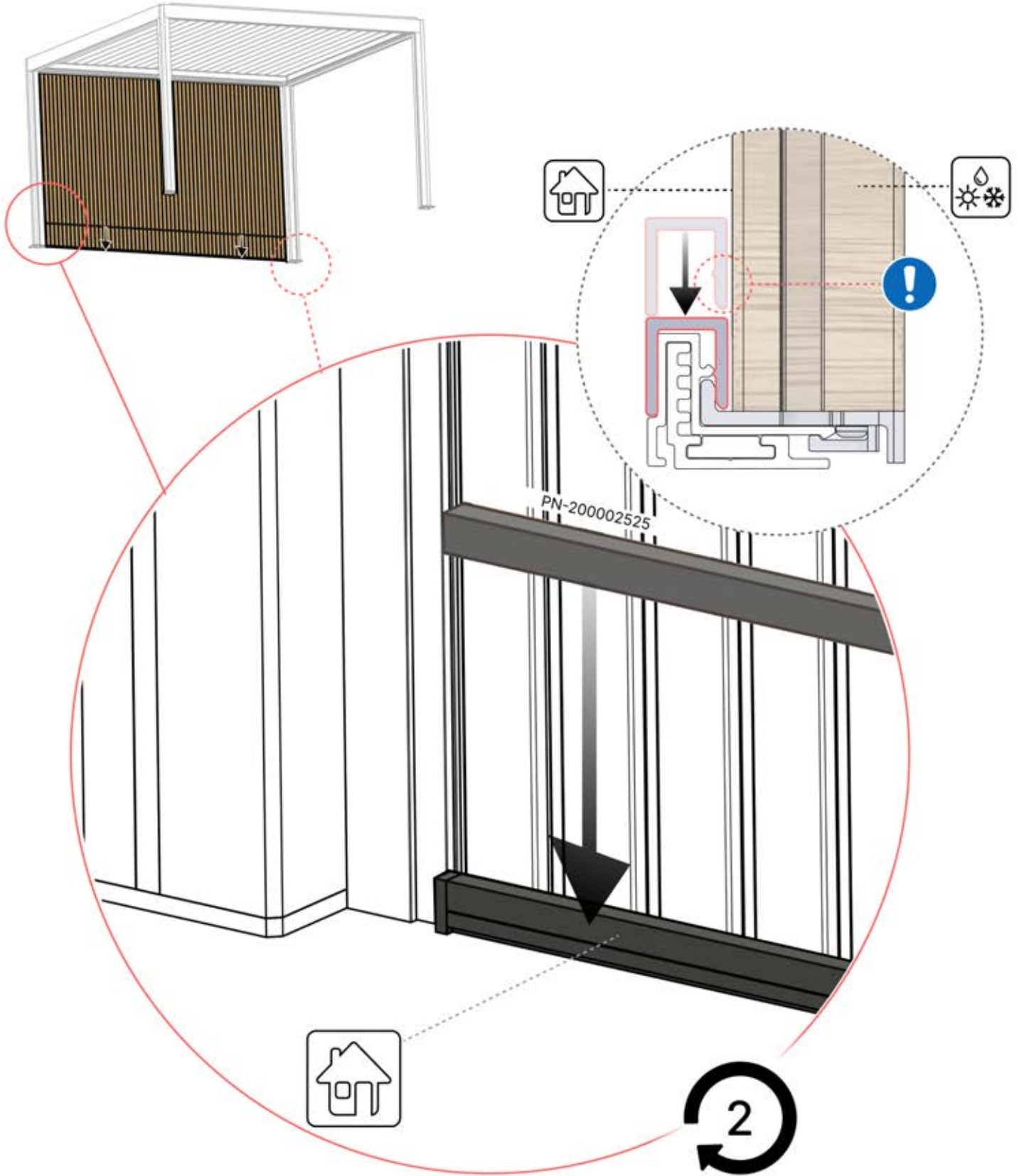
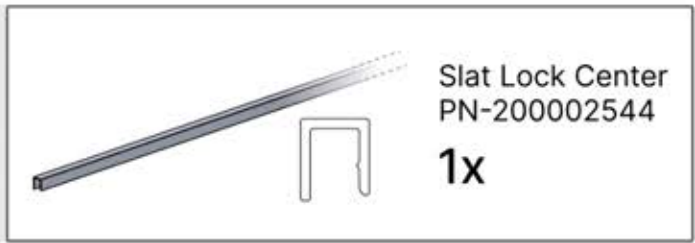
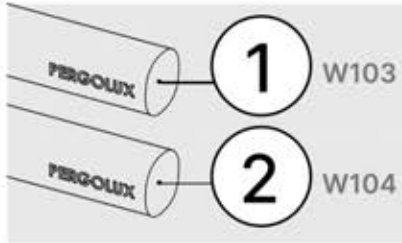
20



Carefully adjust the slats by hand to ensure the gap at the end is even, if necessary.

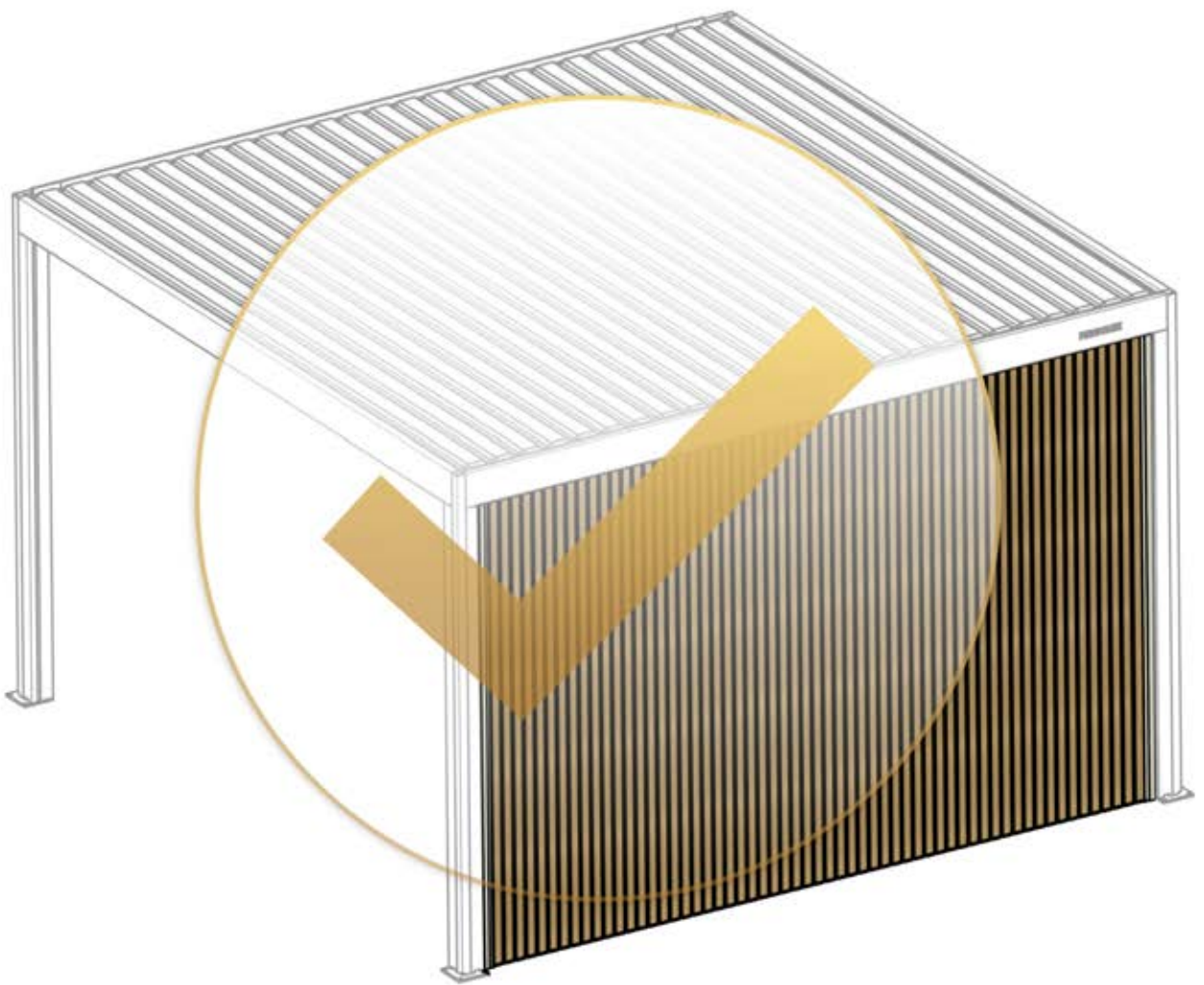


21



PERGOLUX | SLAT WALL

4 M / 13'



PERGOLUX
