

S4

PERGOLA

PRO



3 × 3m / 10' x 10'
FREESTANDING

PERGOLUX



Designed and
developed
in Norway



Type Approved
Regular
Production
Surveillance

www.tuv.com
ID: 1111293124

INFORMATION



INSTALLATION INSTRUCTIONS:

Ensure all parts are present and undamaged before starting the assembly.

Secure to a solid foundation with the correct fasteners for your foundation.

(If applicable) Install motors and wiring as shown. Ensure the electrical components are powered off during installation.

Use the correct lifting and installation equipment.

SAFETY WARNINGS:

Keep children and pets away during installation.

Do not operate the structure if parts are loose or improperly installed.

Ensure the structure is securely anchored to prevent accidents.

Do not insert fingers or any objects between the louvres.

MAINTENANCE:

Regularly clean the aluminum structure to maintain its appearance and prevent the accumulation of dirt.

Also, make sure to clean the gutters regularly. Inspect moving parts for wear and lubricate as necessary.

Check anchor points periodically to ensure stability.



INSTALLATIONSANLEITUNG:

Stellen Sie sicher, dass alle Teile vorhanden und unbeschädigt sind, bevor Sie mit der Montage beginnen.

Befestigen Sie sie mit den richtigen Befestigungselementen für Ihr Fundament auf einem soliden Fundament.

(Falls zutreffend) Installieren Sie Motoren und Verkabelung wie gezeigt. Stellen Sie sicher, dass die elektrischen Teile während der Installation ausgeschaltet sind.

Verwenden Sie die richtige Hebe- und Installationsausrüstung.

SICHERHEITSHINWEISE:

Halten Sie Kinder und Haustiere während der Installation fern.

Betreiben Sie die Struktur nicht, wenn Teile lose oder nicht richtig installiert sind.

Stellen Sie sicher, dass die Struktur sicher verankert ist, um Unfälle zu vermeiden.

Stecken Sie keine Finger oder andere Gegenstände zwischen die Lamellen.

WARTUNG:

Reinigen Sie die Aluminiumstruktur regelmäßig, um ihr Aussehen zu erhalten und die Ansammlung von Schmutz zu verhindern.

Reinigen Sie auch die Dachrinnen regelmäßig. Überprüfen Sie bewegliche Teile auf Verschleiß und schmieren Sie sie bei Bedarf.

Überprüfen Sie die Ankerpunkte regelmäßig, um die Stabilität sicherzustellen.



Pergolux GmbH, 9 Goethestraße,
36043 Fulda,
Germany

26

DOP-PRO-FSWM-S4

EN 13561:2015

Pergolux Pergola PRO S4

External use in buildings and other
construction works

Resistance to wind loads: Class6(EN13561)

SYMBOL EXPLANATION



Indicates the outside of the pergola structure.



This step may require extra force.



Indicates the inside of the pergola structure.



Key information to follow during installation.



Important! Be cautious when assembling or handling this part.



This item must be purchased separately.



Required tools for assembly.



Apply lubricant to make screw assembly easier.



Ensure grounding is connected before powering up.



Do not use a regular hammer, as it may cause damage.



Align slats according to sunlight direction for optimal shading.



AC Input



Repeat this step as many times as the number indicates

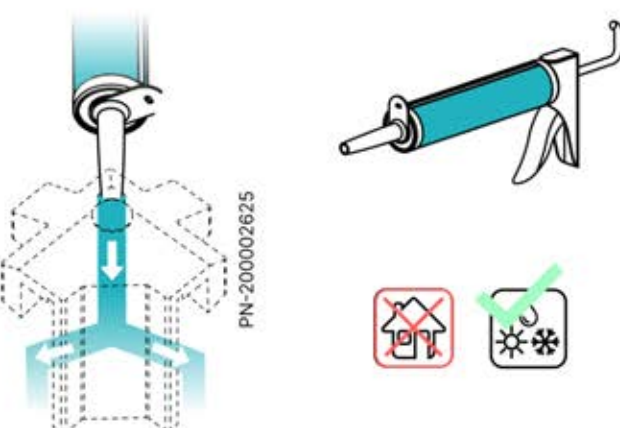


Motor



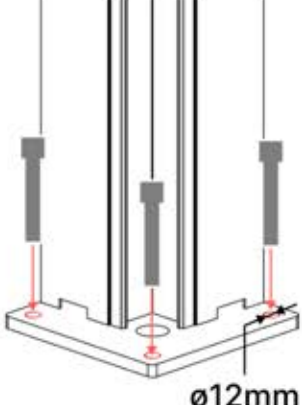

Turn around

INFORMATION




PN-200002625

Use a high-quality, weather-resistant and mold-resistant adhesive and sealant to seal the corners of the pergola and prevent leakage. Look for products that are designed for outdoor use and provide a strong, long-lasting bond.





ø12mm

Use on concrete




x12

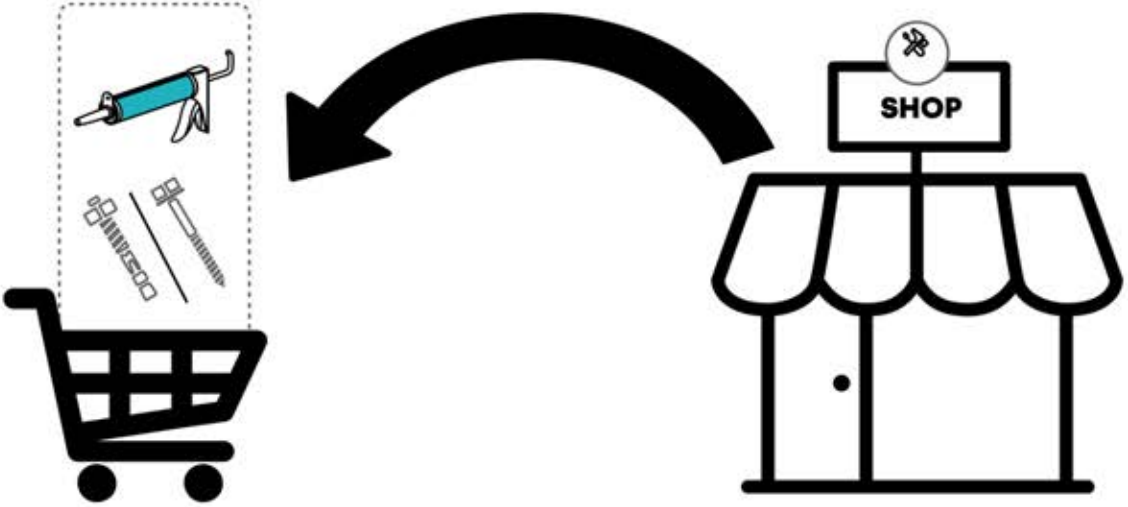


x12

Use on wood



You need to buy your needed screws to attach the pergola to the ground

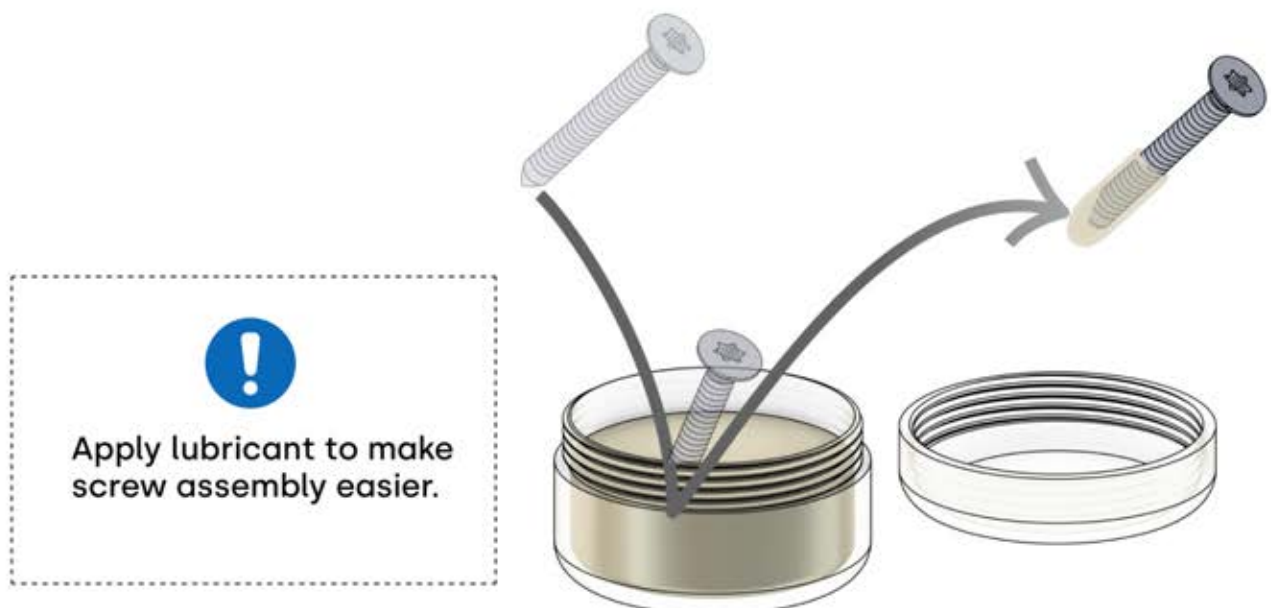


SHOP

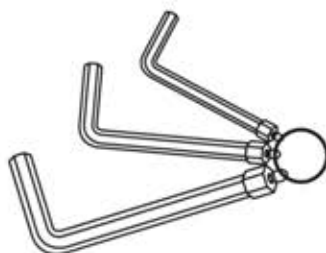
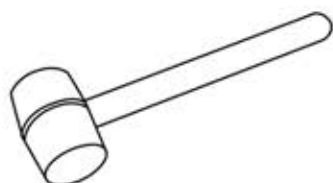
INFORMATION

All screws from **PERGOLUX** are made of stainless steel, ensuring durability and resistance to rust. To prevent damage to screws, follow these guidelines:

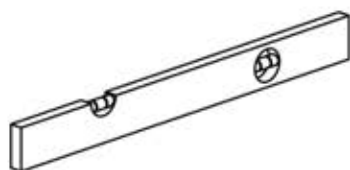
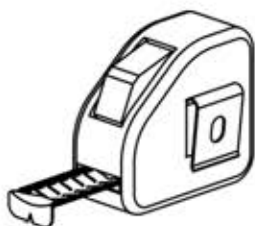
- **DO NOT OVERTIGHTEN:** Apply appropriate force to avoid stripping the threads.
- **CHOOSE THE CORRECT TOOL:** Use the proper screwdriver or bit to avoid damaging the screw head.
- **ENSURE PROPER USE:** With correct installation, screws will maintain their integrity and functionality over time.
- **USE LUBRICATION:** Apply lubricant to make screw assembly easier.



INFORMATION



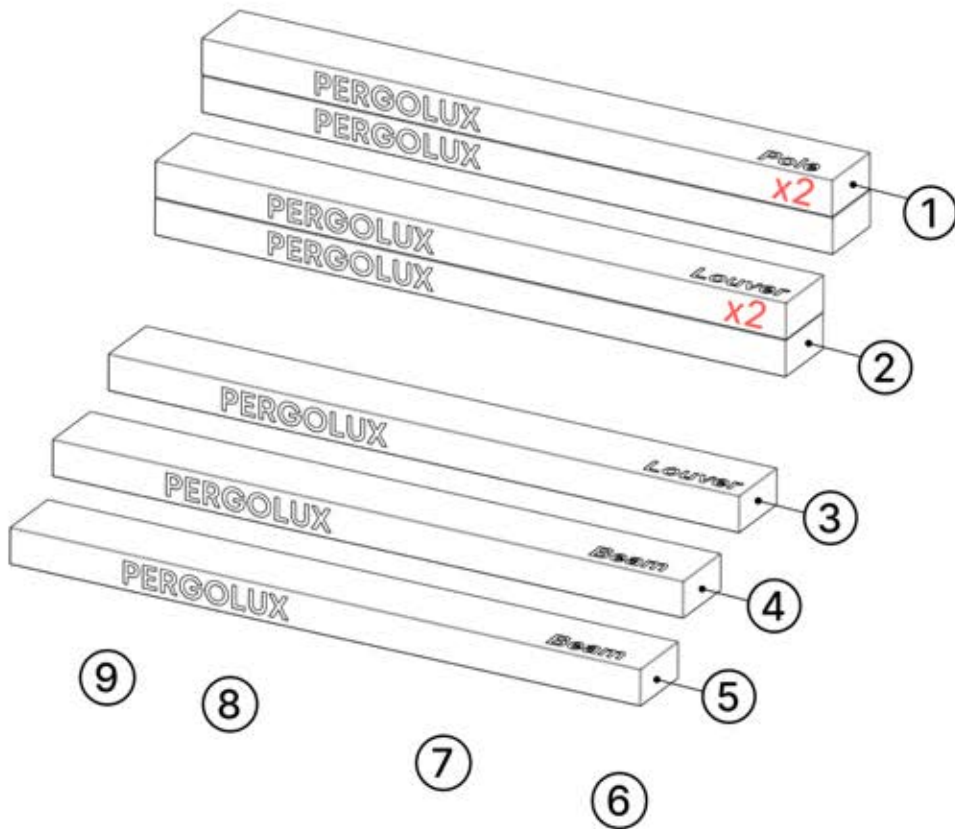
3mm, 4mm, 5mm



TX15, TX20, TX25, TX30



PACKAGE OVERVIEW

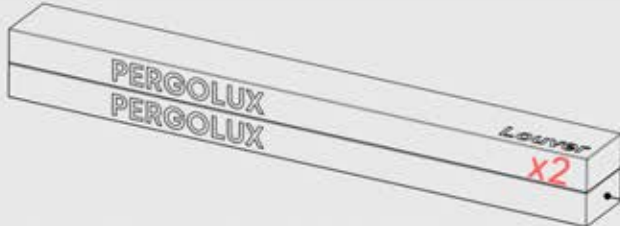


ORDER	ANTHRACITE	WHITE	BLACK
①	C120	C122	C121
②	L215	L219	L217
③	L227	L231	L229
④	B232	B240	B236
⑤	B256	B260	B258
⑥	WHITE / RGB LED		
⑦	MOTOR		
⑧	CONTROL BOX		
⑨	POWER CABLE		

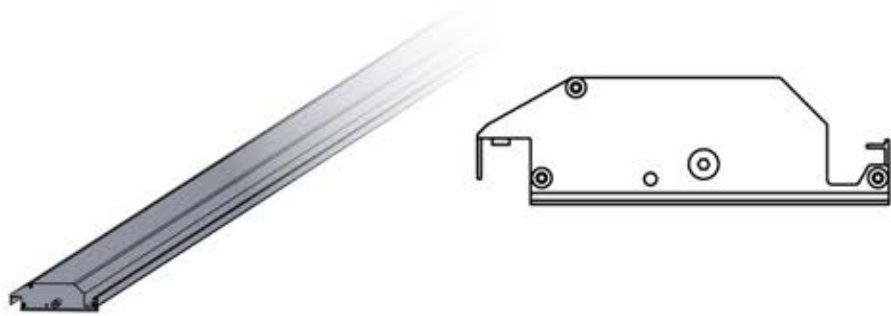
ITEMS IN BOX

	ANTHRACITE	WHITE	BLACK
		C120	C122
		PN-200002606 4x	
		PN-200003386 4x	
		PN-200002614 2x	


ITEMS IN BOX



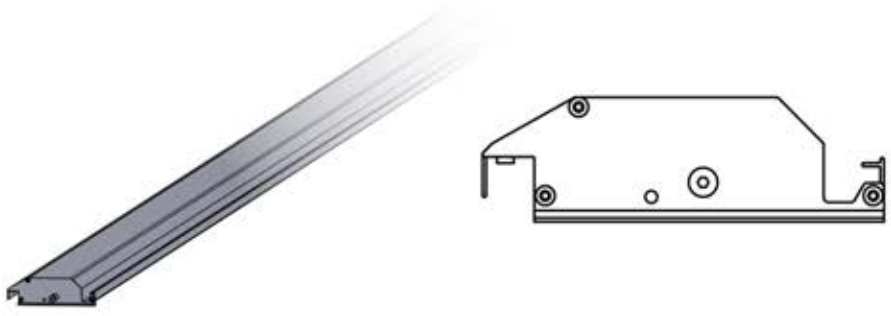
	ANTHRACITE	WHITE	BLACK
2	L215	L219	L217



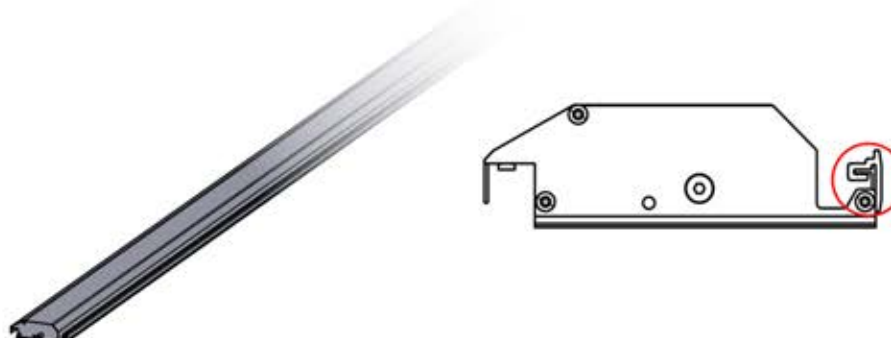
PN-200002629
6x



	ANTHRACITE	WHITE	BLACK
3	L227	L231	L229




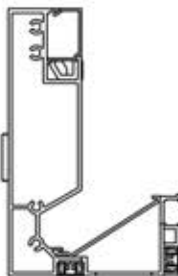
PN-200002629
6x



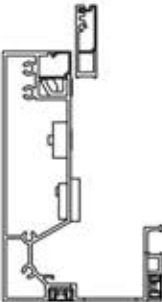
PN-200002645
1x

ITEMS IN BOX

		ANTHRACITE	WHITE	BLACK
	4	B232	B240	B236



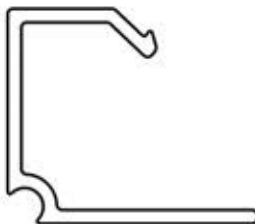
PN-200003353
1x



PN-200002858
1x




PN-200002952
1x



PN-200002859
1x

ITEMS IN BOX

	ANTHRACITE	WHITE	BLACK
	4	B232	B240



PN-200002954
1x



PN-200002953
1x



PN-200003383
1x

ITEMS IN BOX



Note: If accessory bags lack part number stickers, refer to the manual for identification.



ANTHRACITE WHITE BLACK

4

B232

B240

B236



PN-20000
3280



PN-200000560
20x



PN-20000
3320



PN-200000826
2x



PN-20000
3282



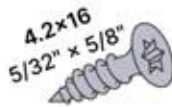
PN-200001514
4x



PN-20000
3276



PN-200002618
4x



PN-200000840
12x



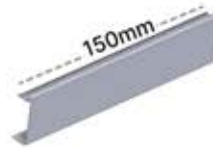
PN-200000571
4x



PN-20000
3278



PN-200003031
1x



PN-200003033
2x



PN-200003030
1x



PN-200001207
2x



PN-20000
3279



PN-200000568
32x



PN-20000
3379



PN-200000960
4x



PN-20000
3285



PN-200000507
4x



PN-200000568
4x

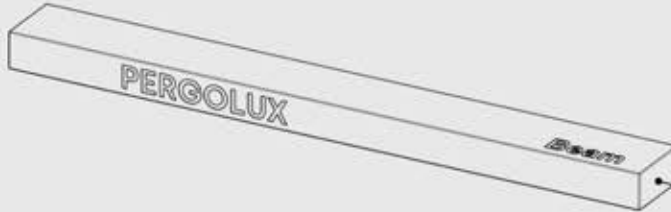


PN-200000569
8x

ITEMS IN BOX



Note: If accessory bags lack part number stickers, refer to the manual for identification.



	ANTHRACITE	WHITE	BLACK
	B232	B240	B236

4

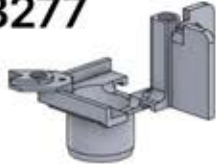
B232

B240

B236



PN-20000
3277

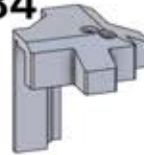


PN-200002617

4x



PN-20000
3284



PN-200002625

4x



PN-20000
3371



PN-200003372

1x



PN-200001946

1x



PN-200000502

1x



PN-200003373

1x



PN-200000561

1x



PN-20000
3281



PN-200002622

4x



PN-200000680


8x



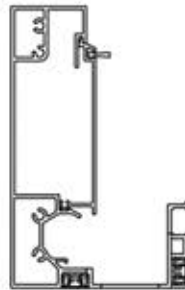
PN-200003209

1x

ITEMS IN BOX



	ANTHRACITE	WHITE	BLACK
	B256	B260	B258



PN-200003290
2x



Premounted
PN-200003554
2x



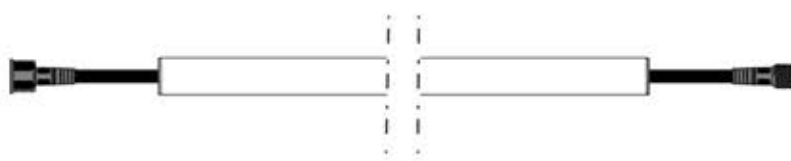
PN-200003397
2x

ITEMS IN BOX



6

WHITE / RGB LED



LED light strip

4x



Y cable

1x



7

ELECTRIC MOTOR



Electric motor
PN-200001562

1x



PN-200001623

1x



PN-200001624

1x



PN-200001625

2x

ITEMS IN BOX

S4



8

CONTROL BOX



Control box

1x



PN-200002756

1x



Matter antenna clip

1x



PN-200002754

1x



PN-200002684

10x



PN-200002758

1x



PN-200002683

5x



PN-200002753

2x



QR-code

1x



PN-200002759

2x



3M tape

1x



PN-200002757

1x

ITEMS IN BOX



9

POWER CABLE



Power cable

1x



All electric parts should be tested before installation.

LEDs + Motor (and heater) should be connected to the Control box and programmed to ensure functionality.

Matter + Smart home can be connected at anytime by simply scanning the QR code provided

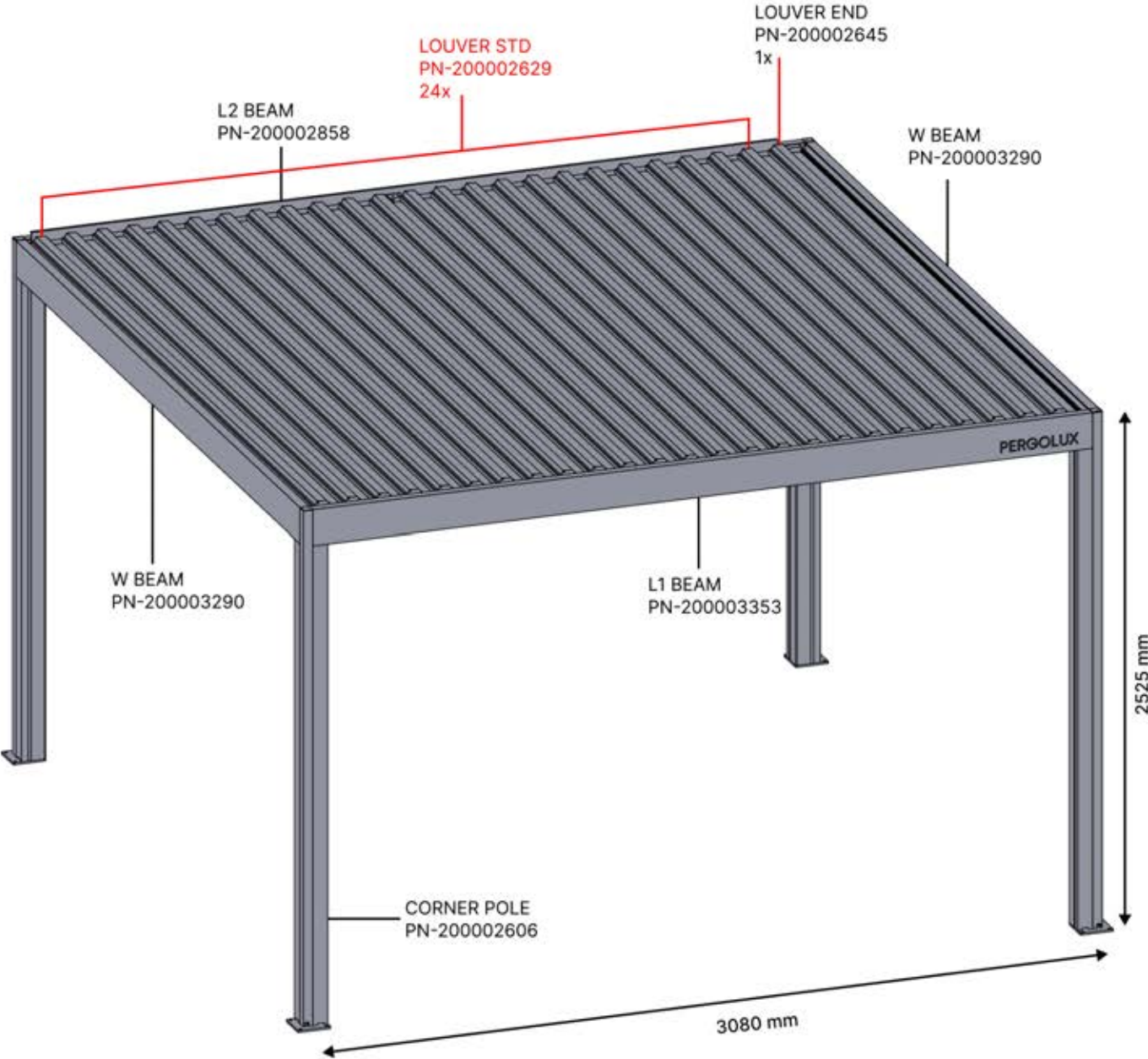


CONTROL BOX

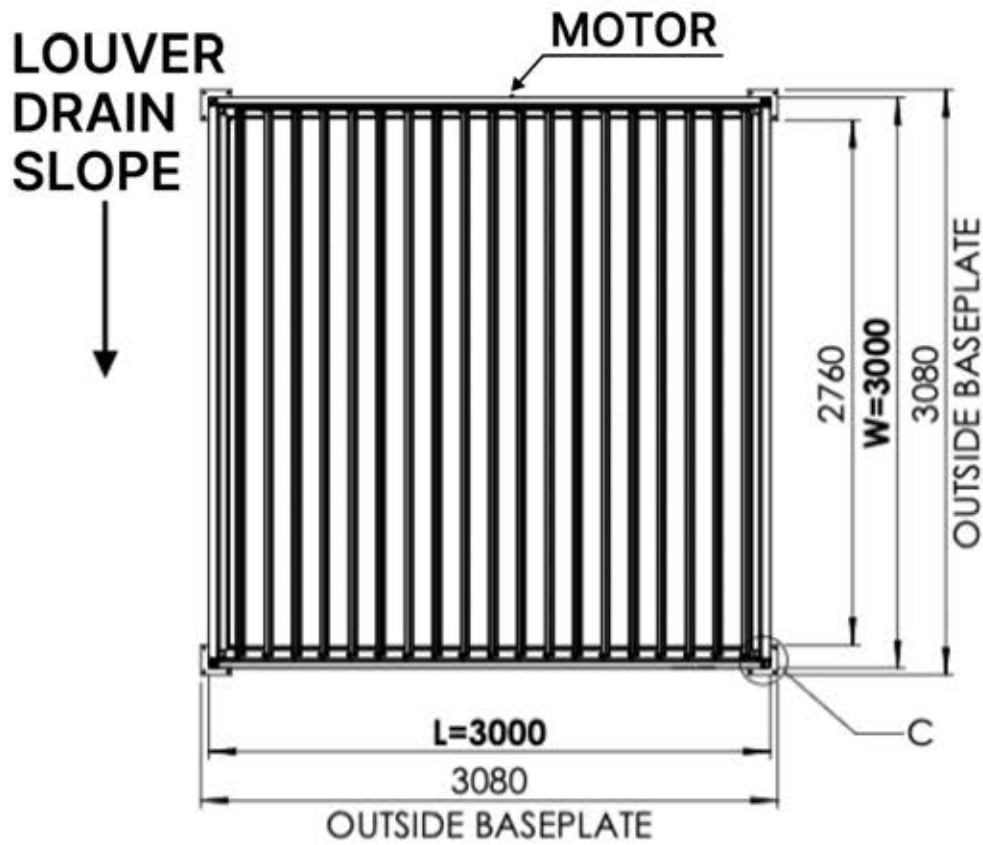
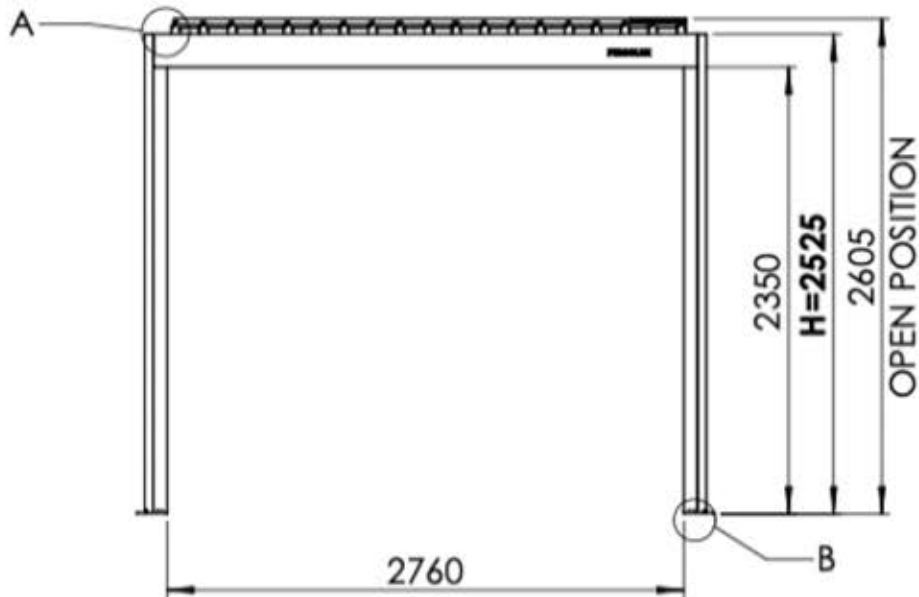
[View Manual](#)

PERGOLUX | PERGOLA PRO FREESTANDING S4

3 x 3 M / 10' x 10'



3 x 3 M / 10' x 10'



INFORMATION

Are you installing a screen, slat wall or glass wall?

It is recommended to remove these Snapfit covers and clips now before installing the pergola.

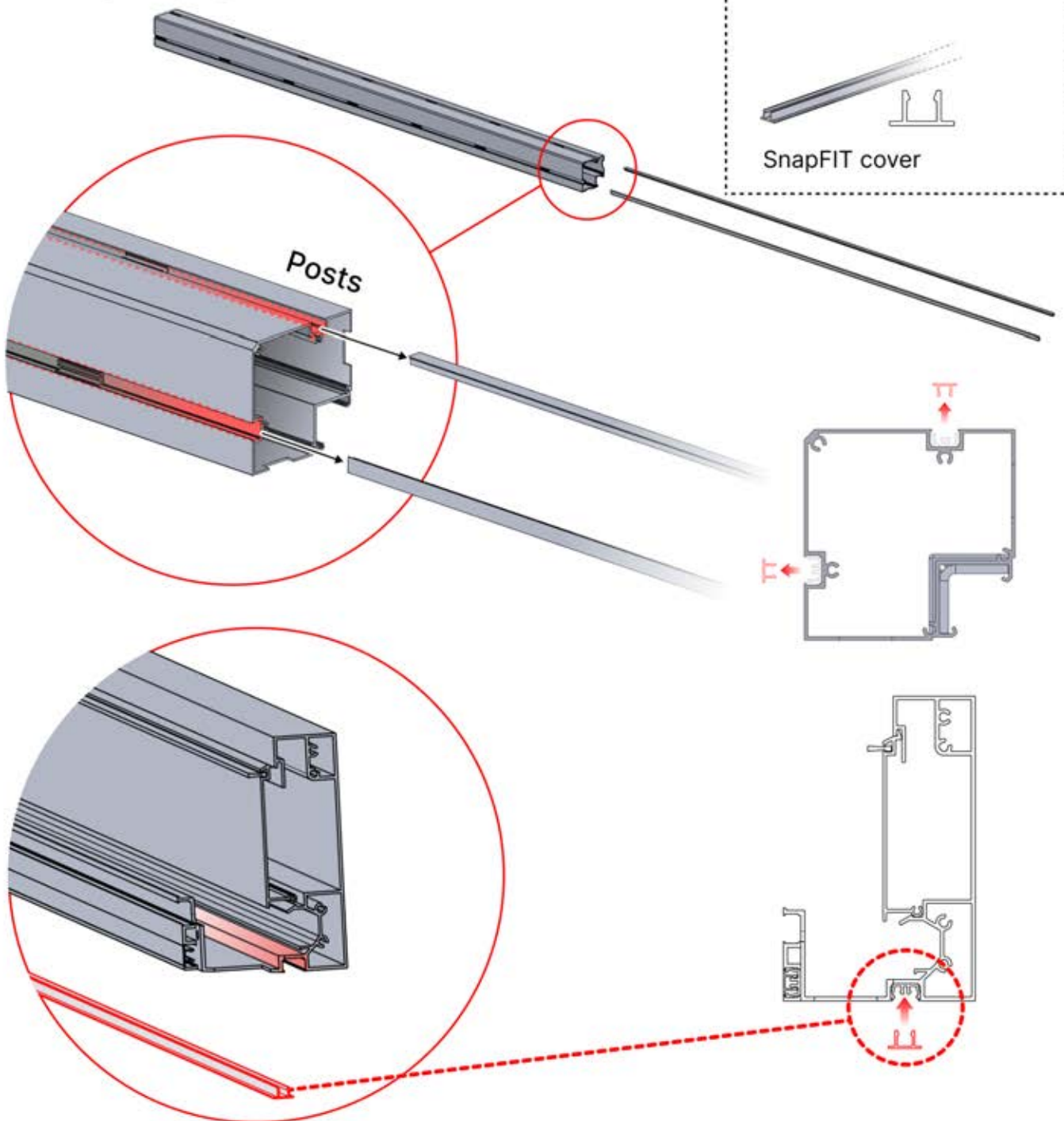
Cover and clips



PN-200000512
SnapFIT cover clip



SnapFIT cover



INFORMATION

Are you installing a heater, fan or LED lights?

It is recommended to remove both snap-fit covers from the beam now.

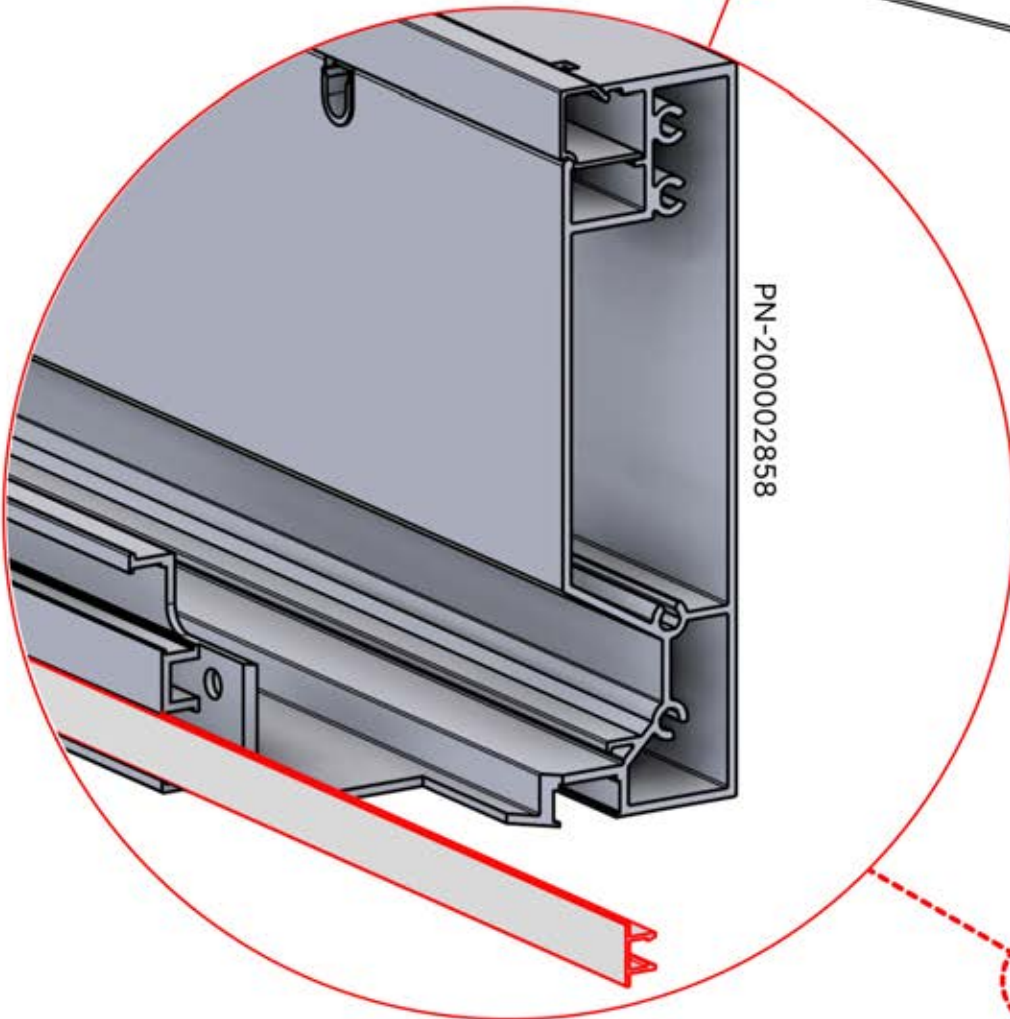
Cover and clips



PN-200000512
SnapFIT COVER CLIP



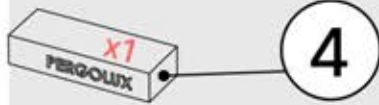
SnapFIT cover



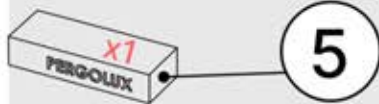
PN-200002858



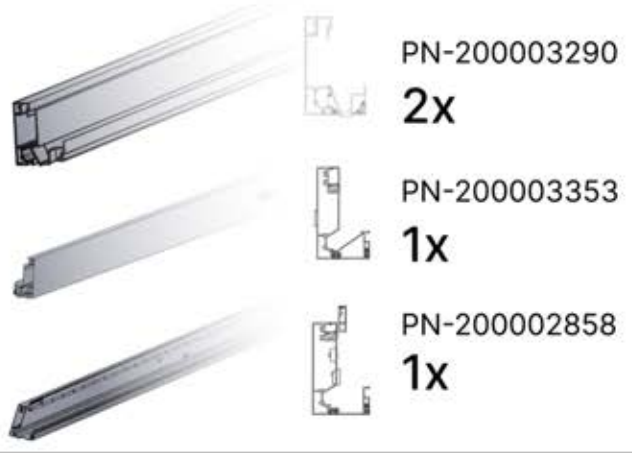
INFORMATION



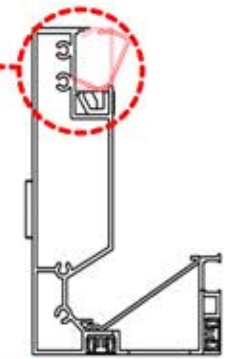
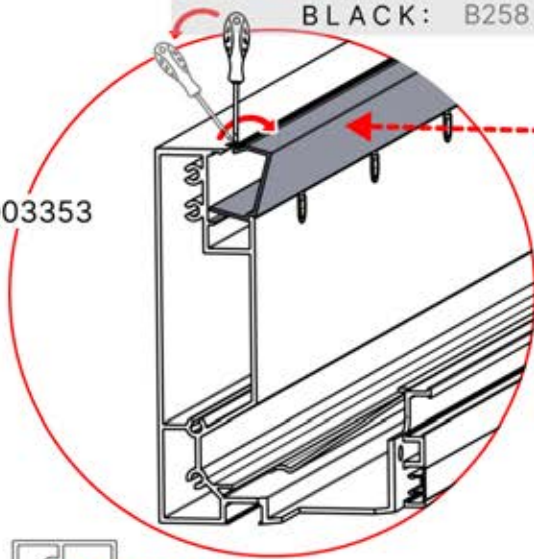
ANTHRACITE: B232
 WHITE: B240
 BLACK: B236



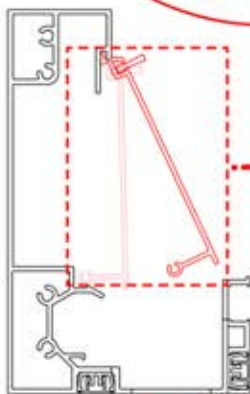
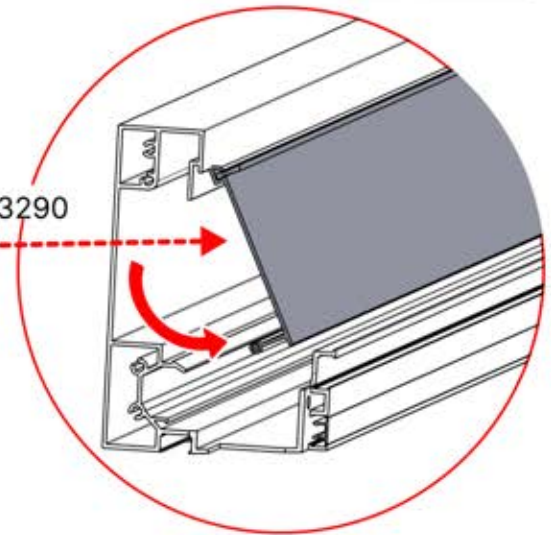
ANTHRACITE: B256
 WHITE: B260
 BLACK: B258



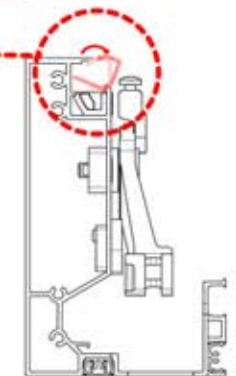
PN-200003353



PN-200003290



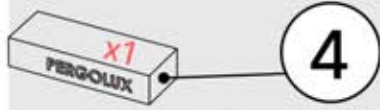
PN-200002858



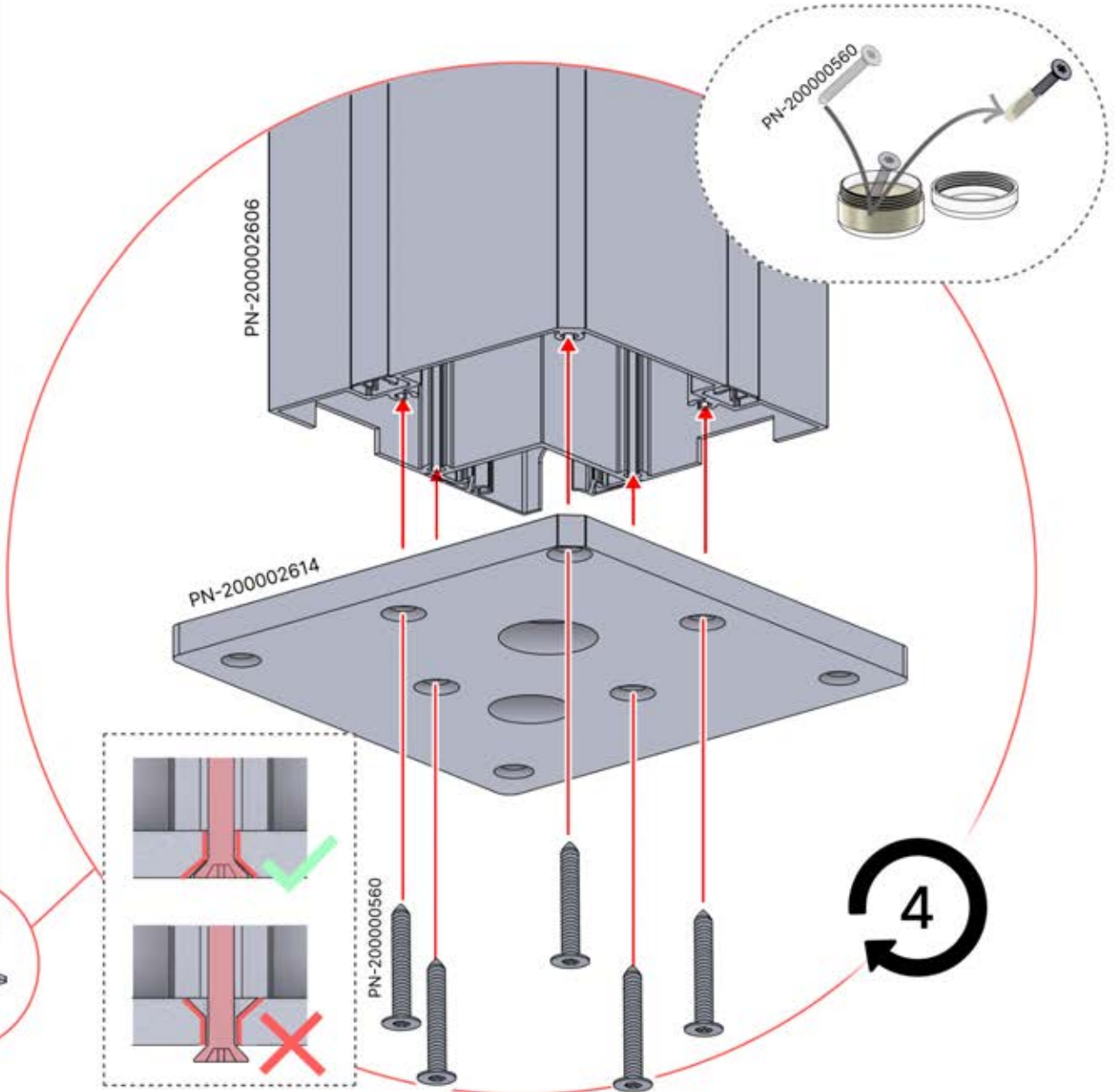
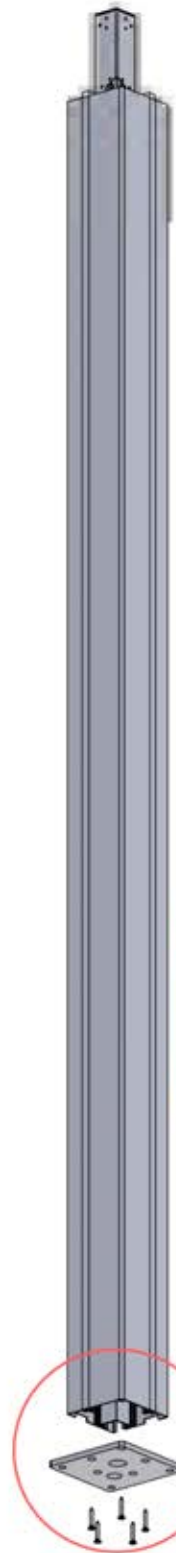
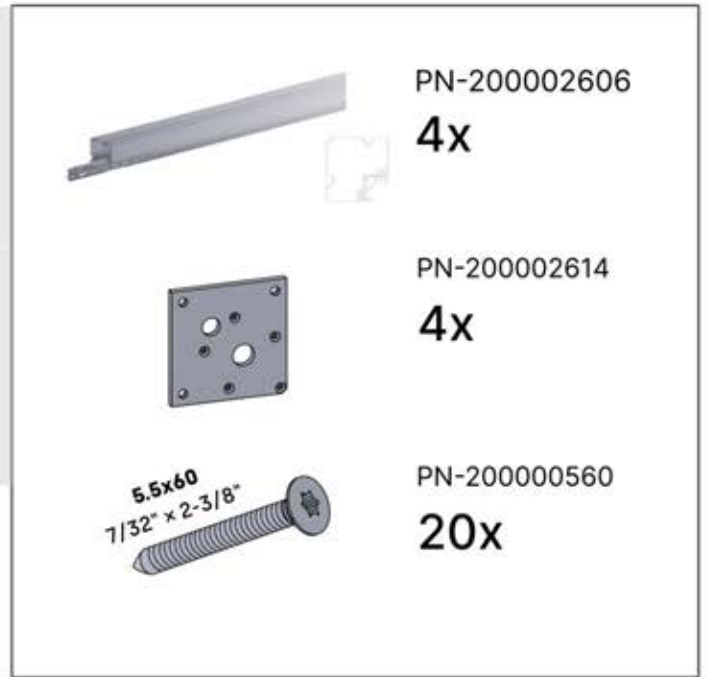
01



ANTHRACITE: C120
WHITE: C122
BLACK: C121



ANTHRACITE: B232
WHITE: B240
BLACK: B236



02

x2
PERGOLUX
PERGOLUX

1

ANTHRACITE: C120
WHITE: C122
BLACK: C121

x1
PERGOLUX

4

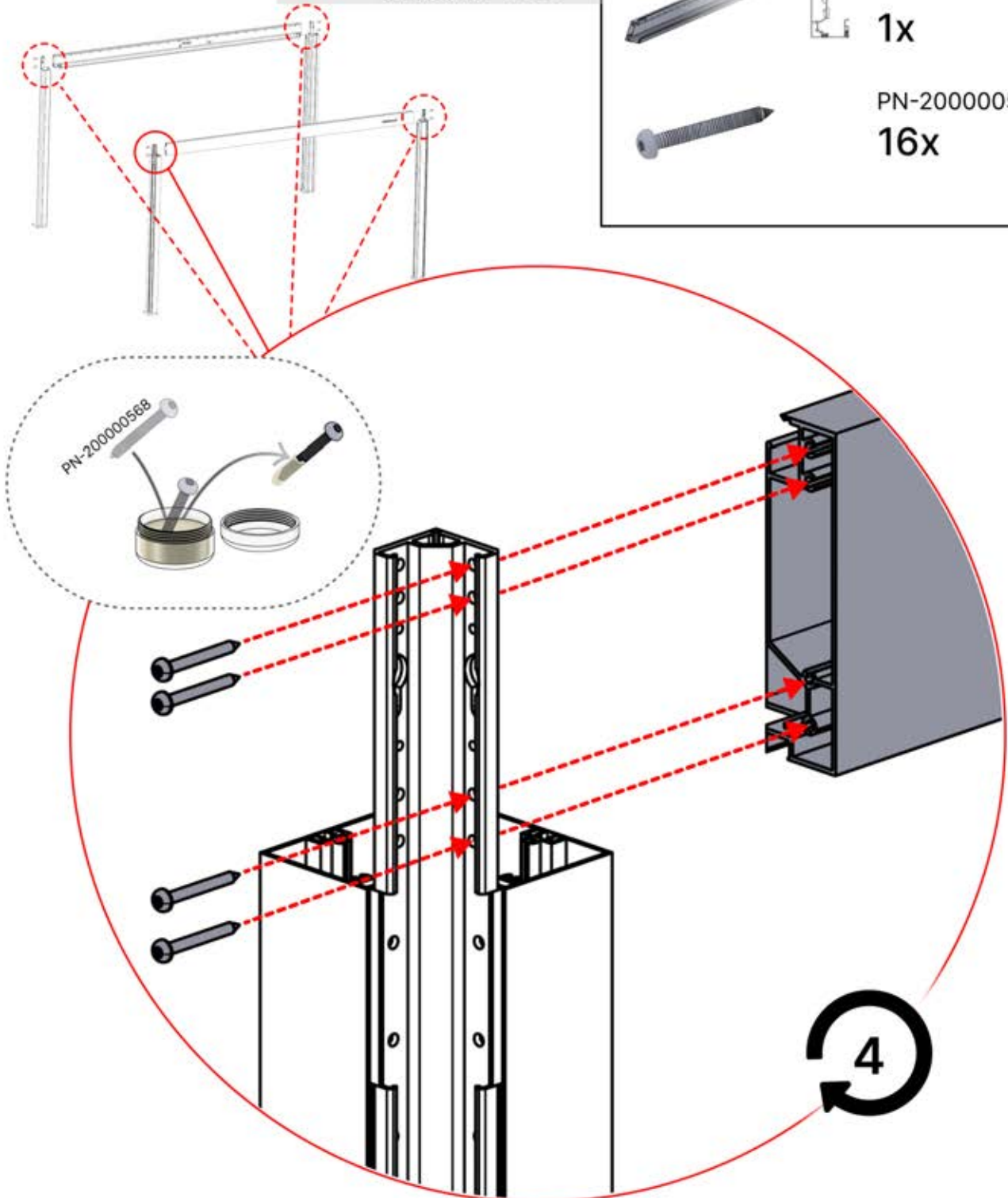
ANTHRACITE: B232
WHITE: B240
BLACK: B236

PN-200002606
4x

PN-200003353
1x

PN-200002858
1x

PN-200000568
16x



03



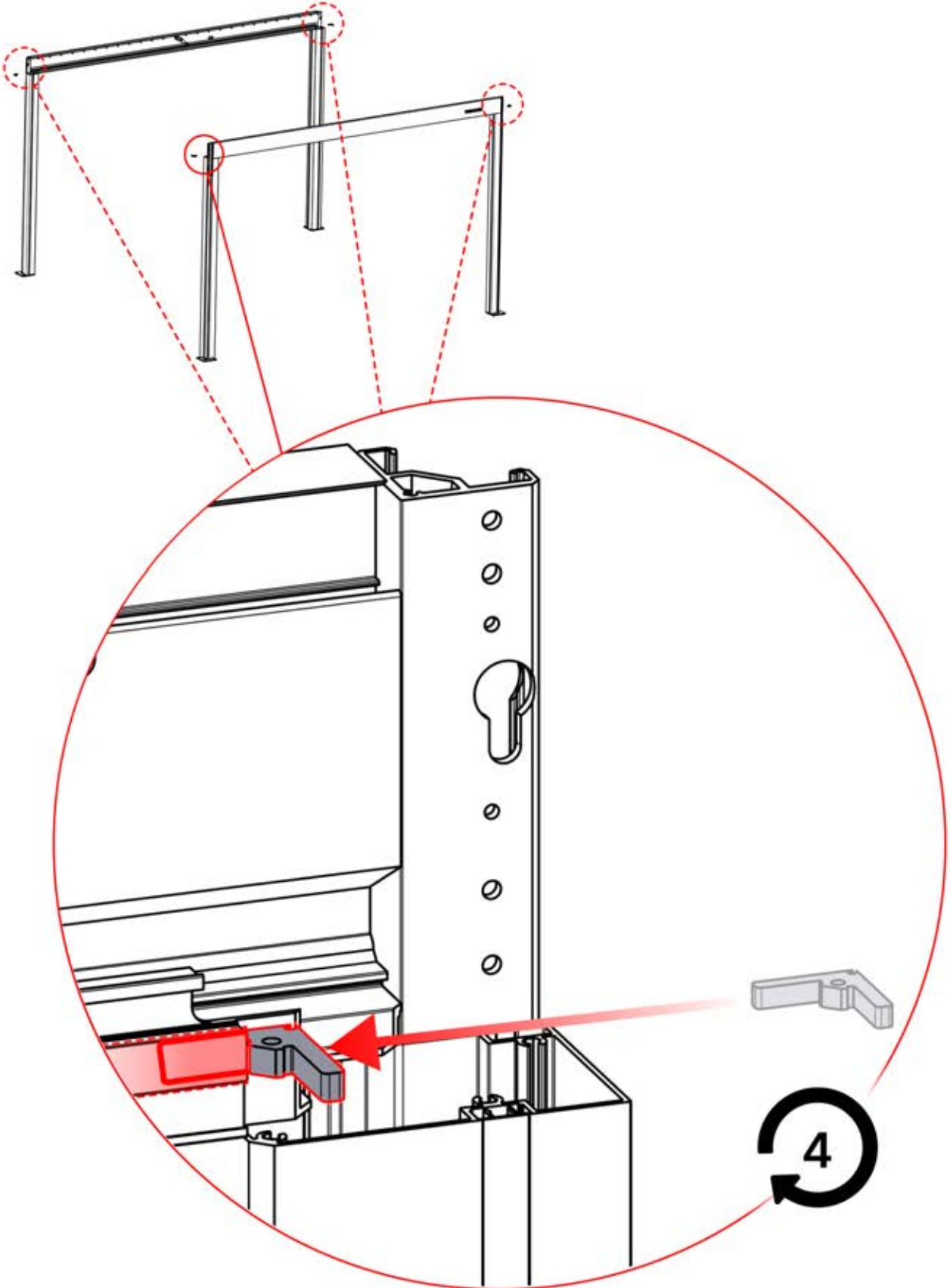
4

ANTHRACITE: B232
WHITE: B240
BLACK: B236



PN-200000507

4x

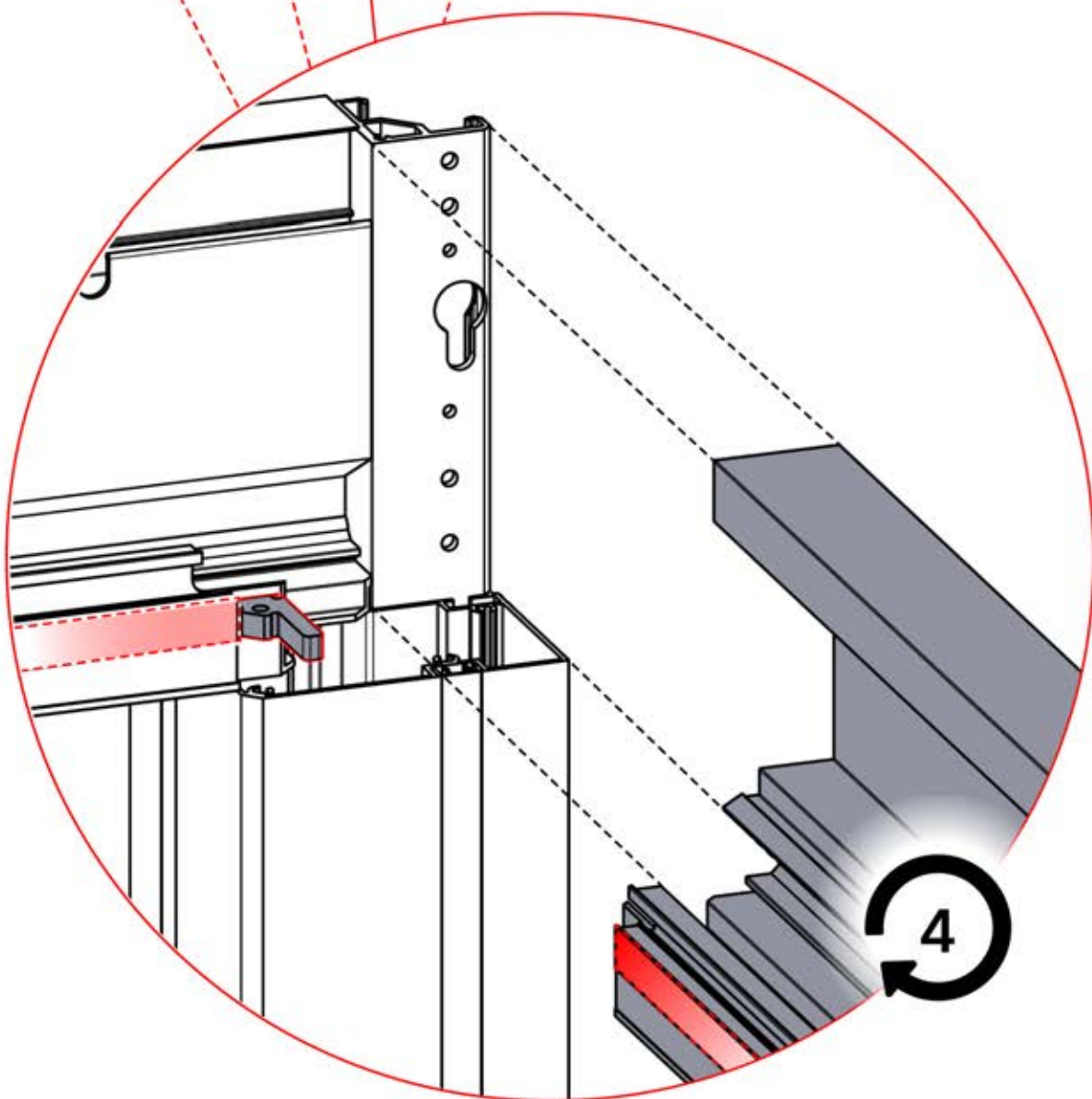
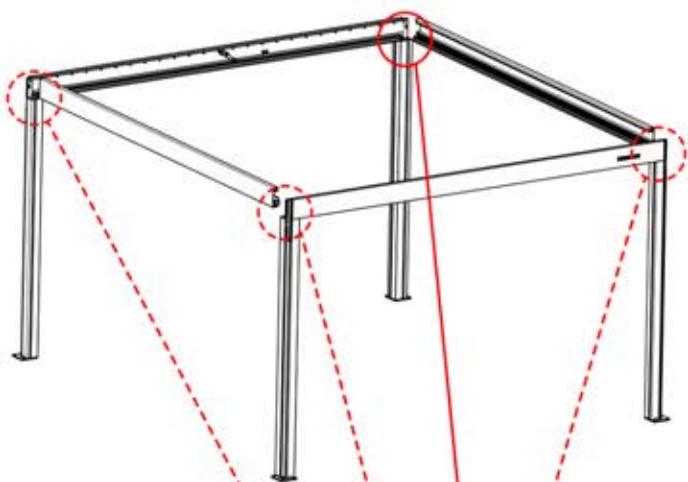
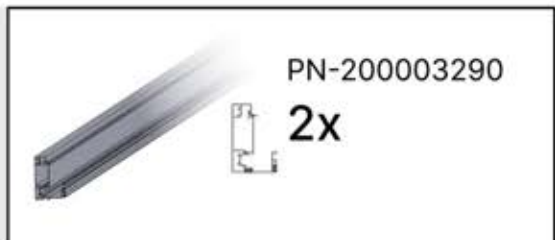


04



5

ANTHRACITE: B256
WHITE: B260
BLACK: B258



05



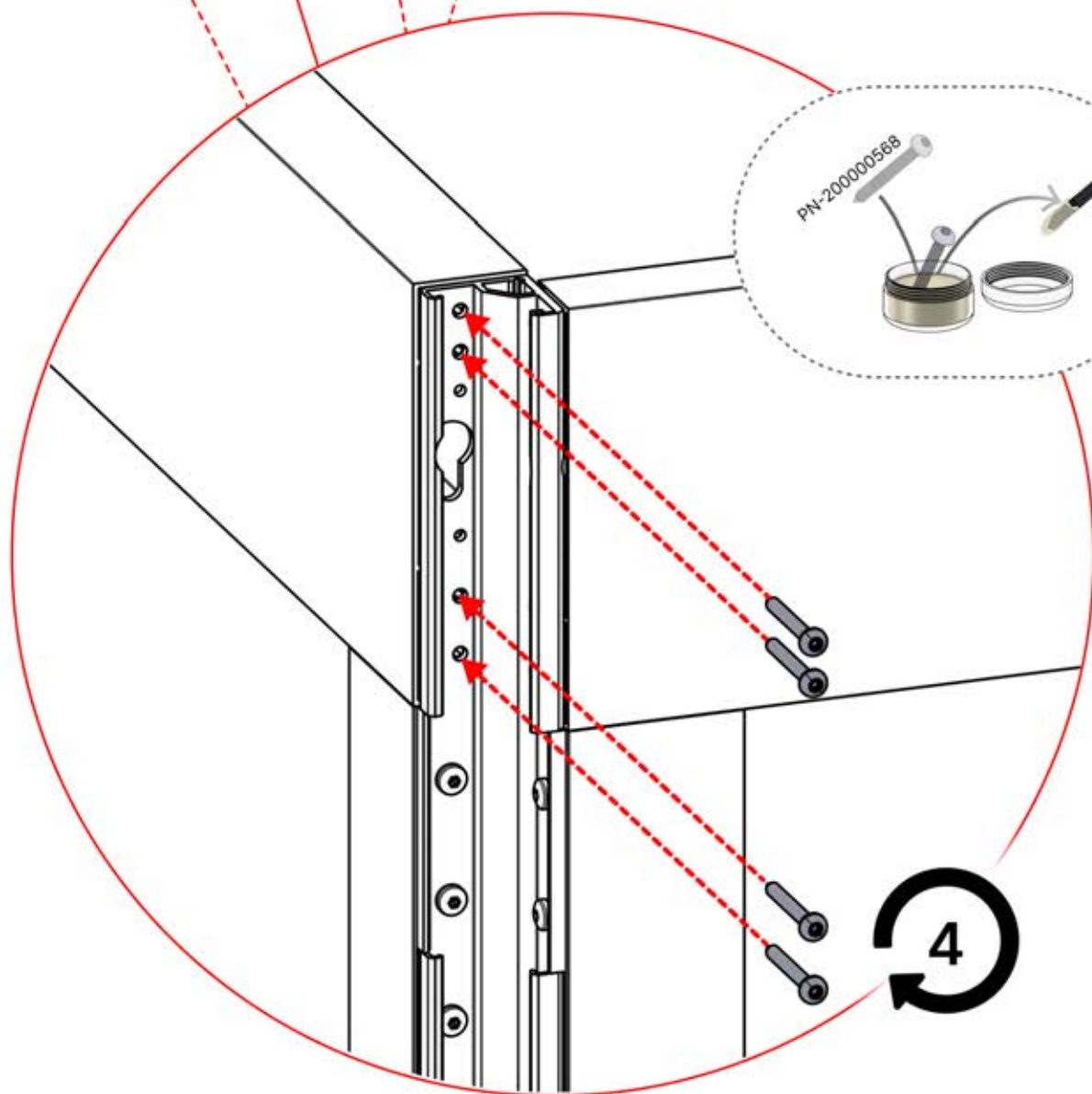
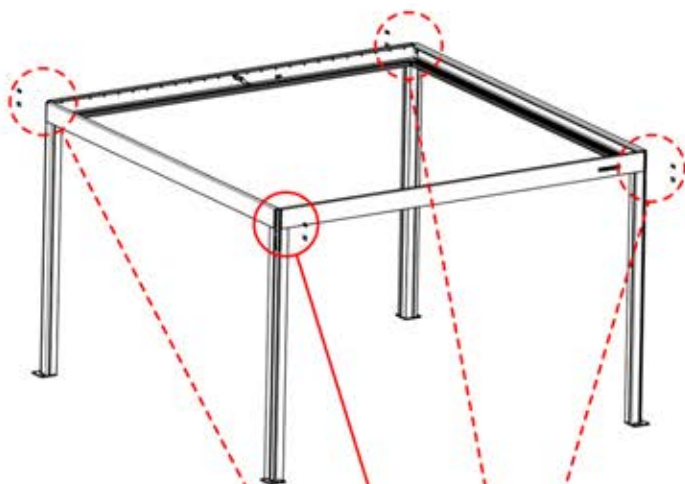
4

ANTHRACITE: B232
WHITE: B240
BLACK: B236



PN-200000568

16x



06



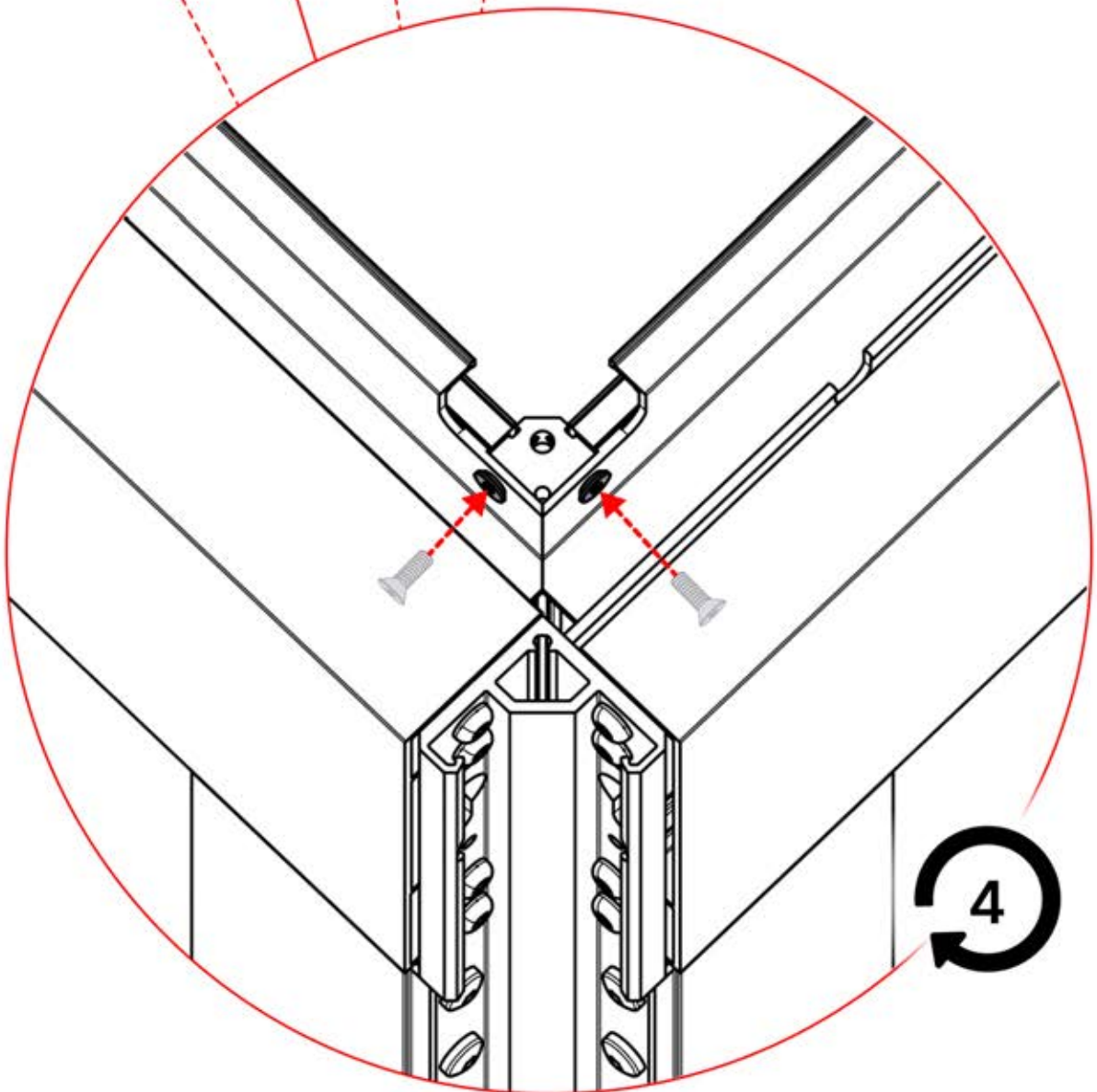
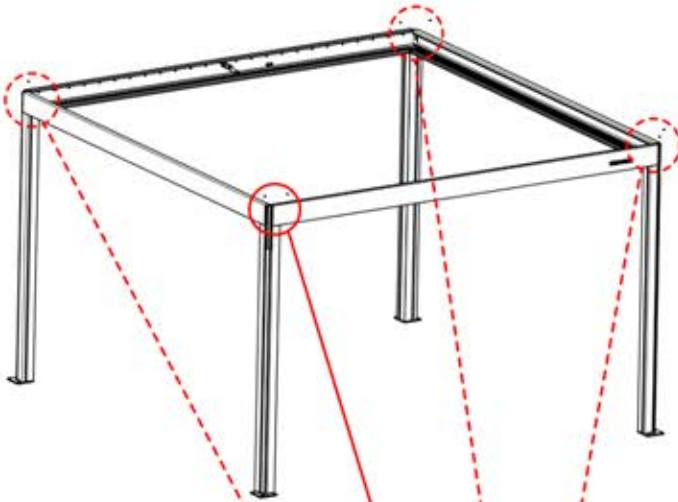
4

ANTHRACITE: B232
WHITE: B240
BLACK: B236



PN-200000569

8x



07



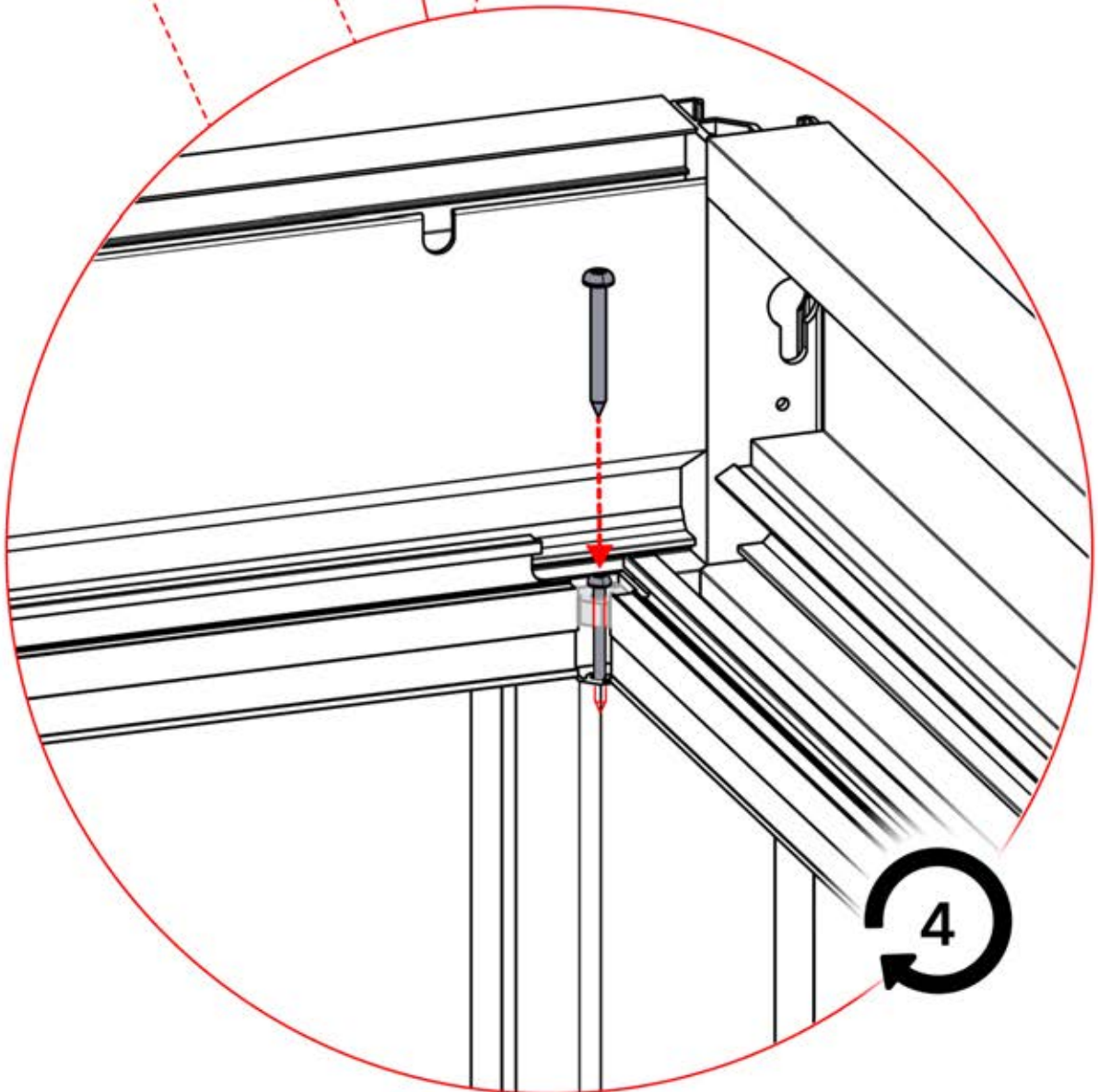
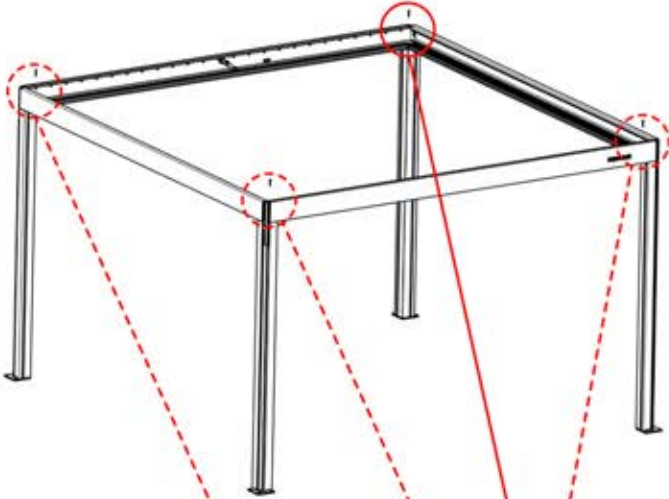
4

ANTHRACITE: B232
WHITE: B240
BLACK: B236



PN-200000960

4x

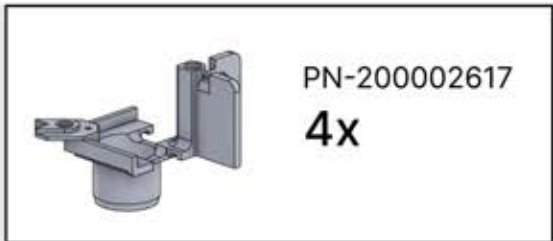


08



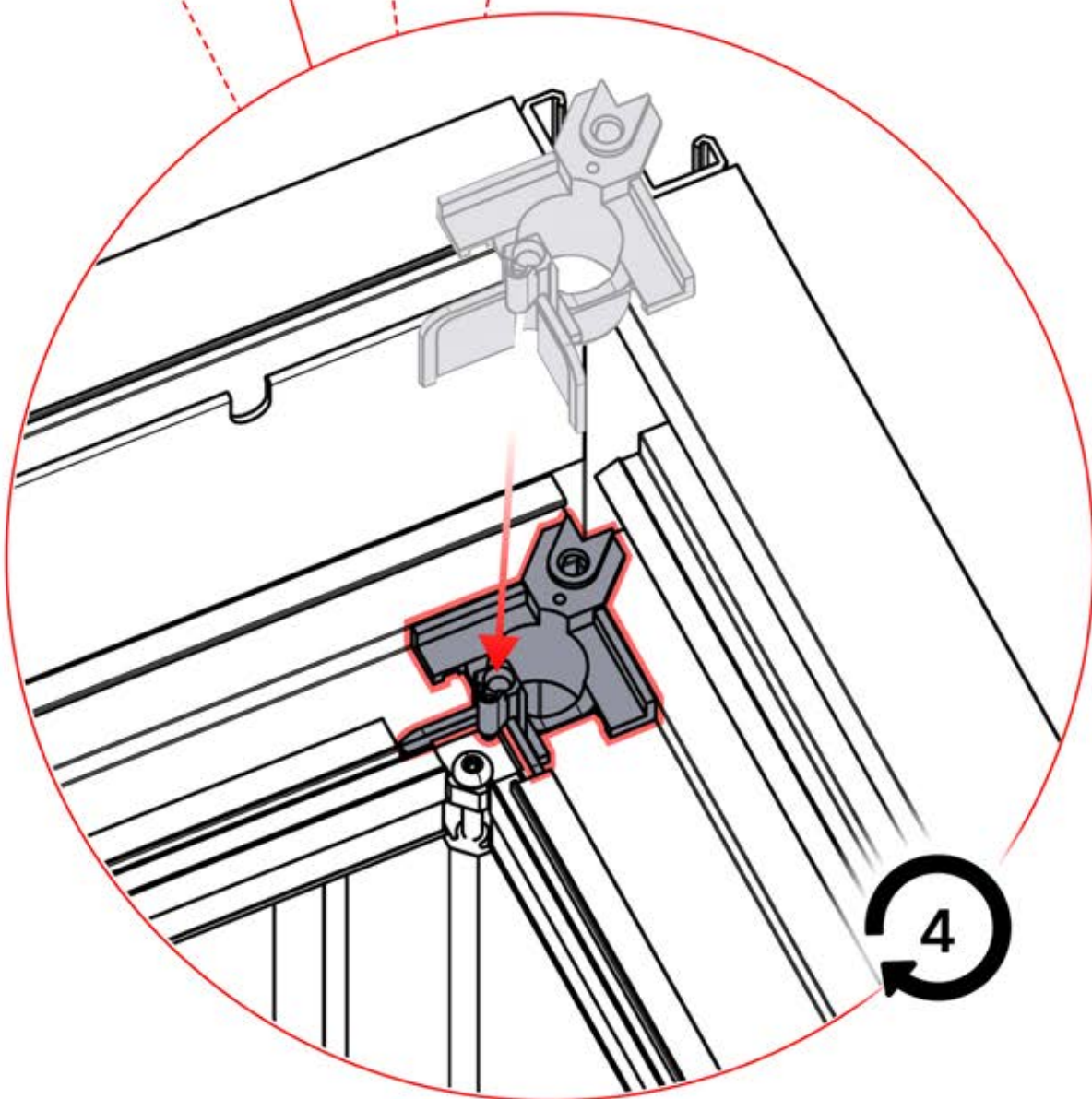
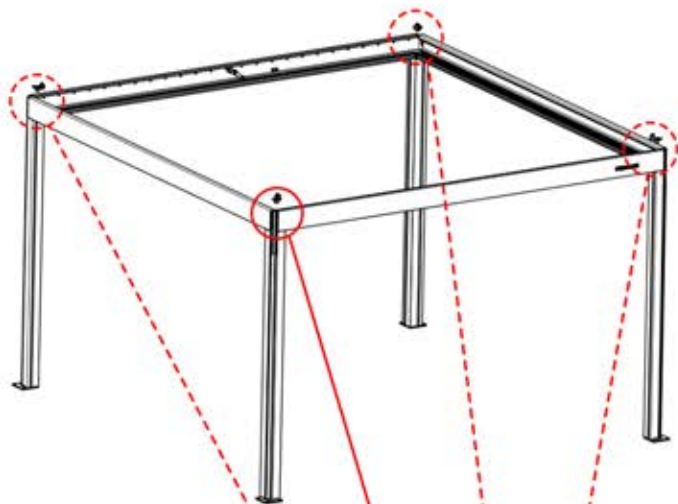
4

ANTHRACITE: B232
WHITE: B240
BLACK: B236



PN-200002617

4x



09



4

ANTHRACITE: B232
WHITE: B240
BLACK: B236



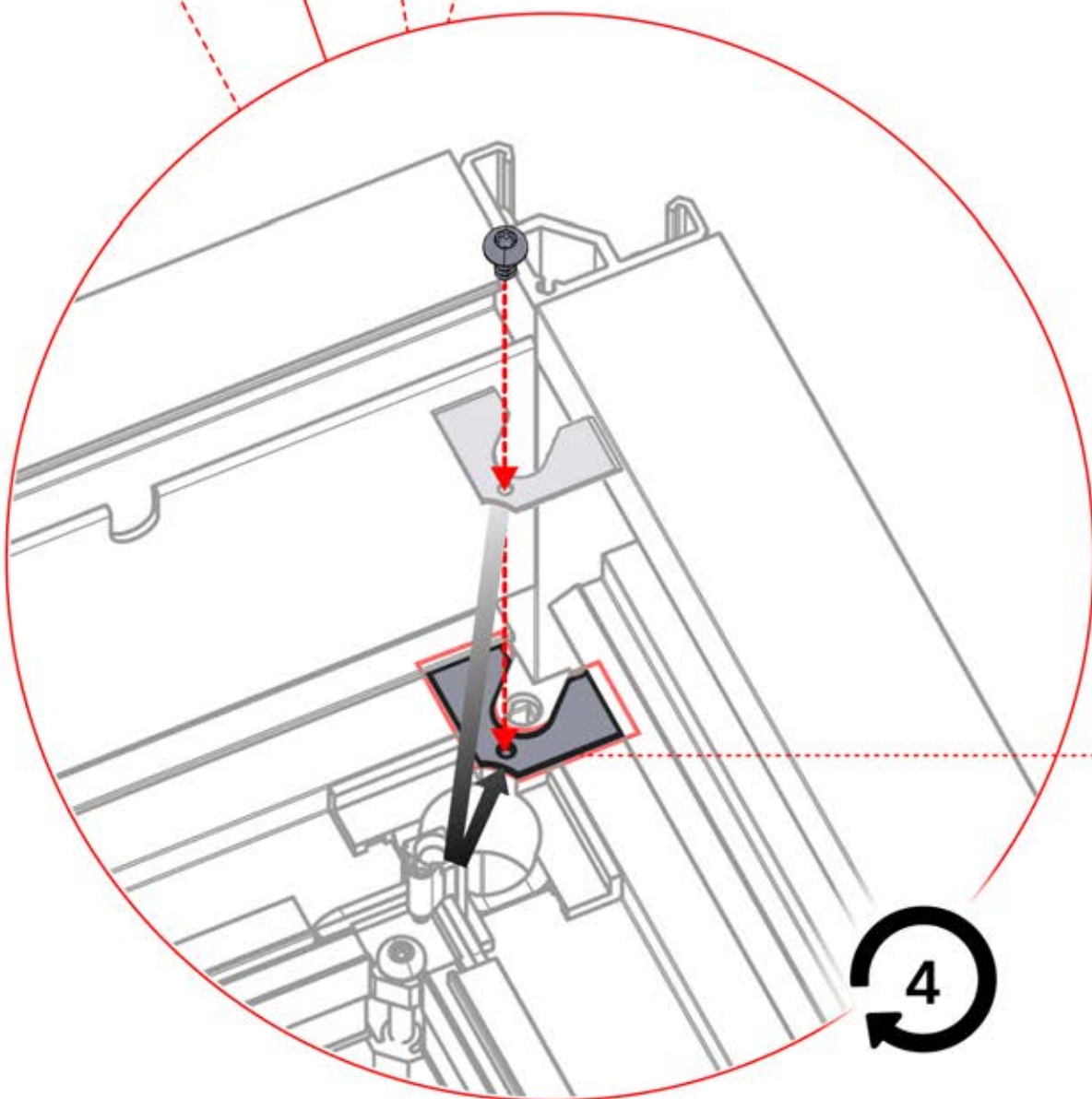
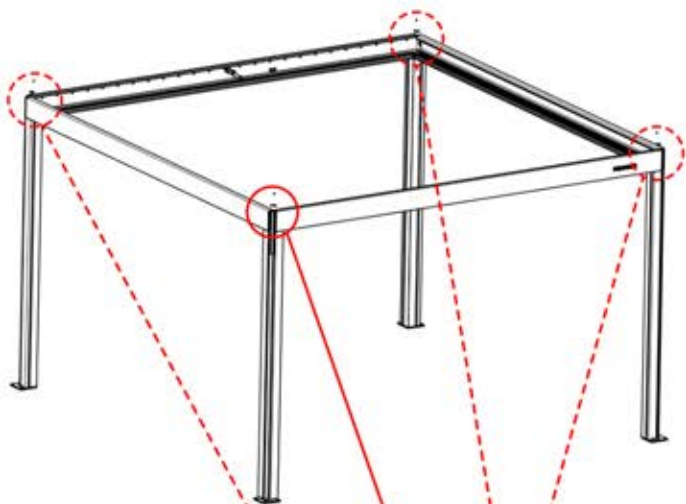
PN-200002618

4x



PN-200000571

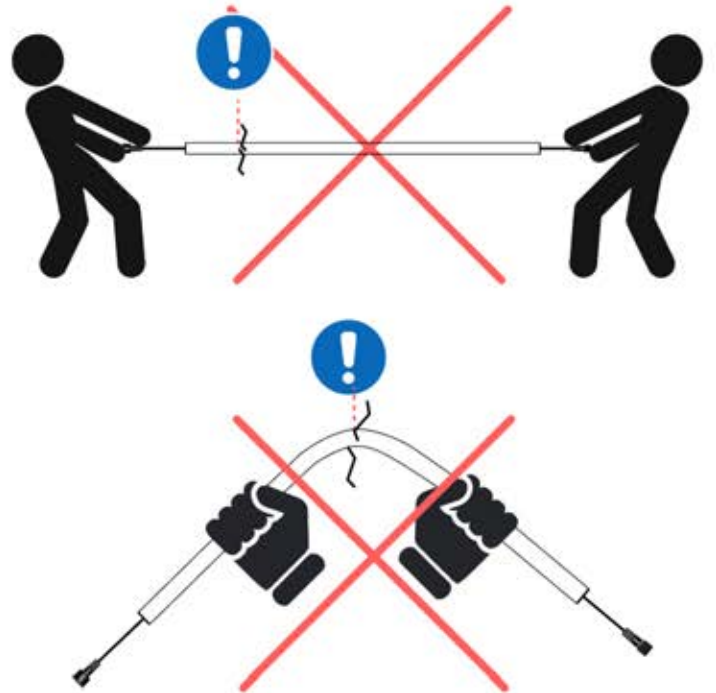
4x



IMPORTANT INFORMATION

Handle with care.

When installing the light strip, do not pull or bend the wires on both sides with force, as this may cause the solder joints to fall off.

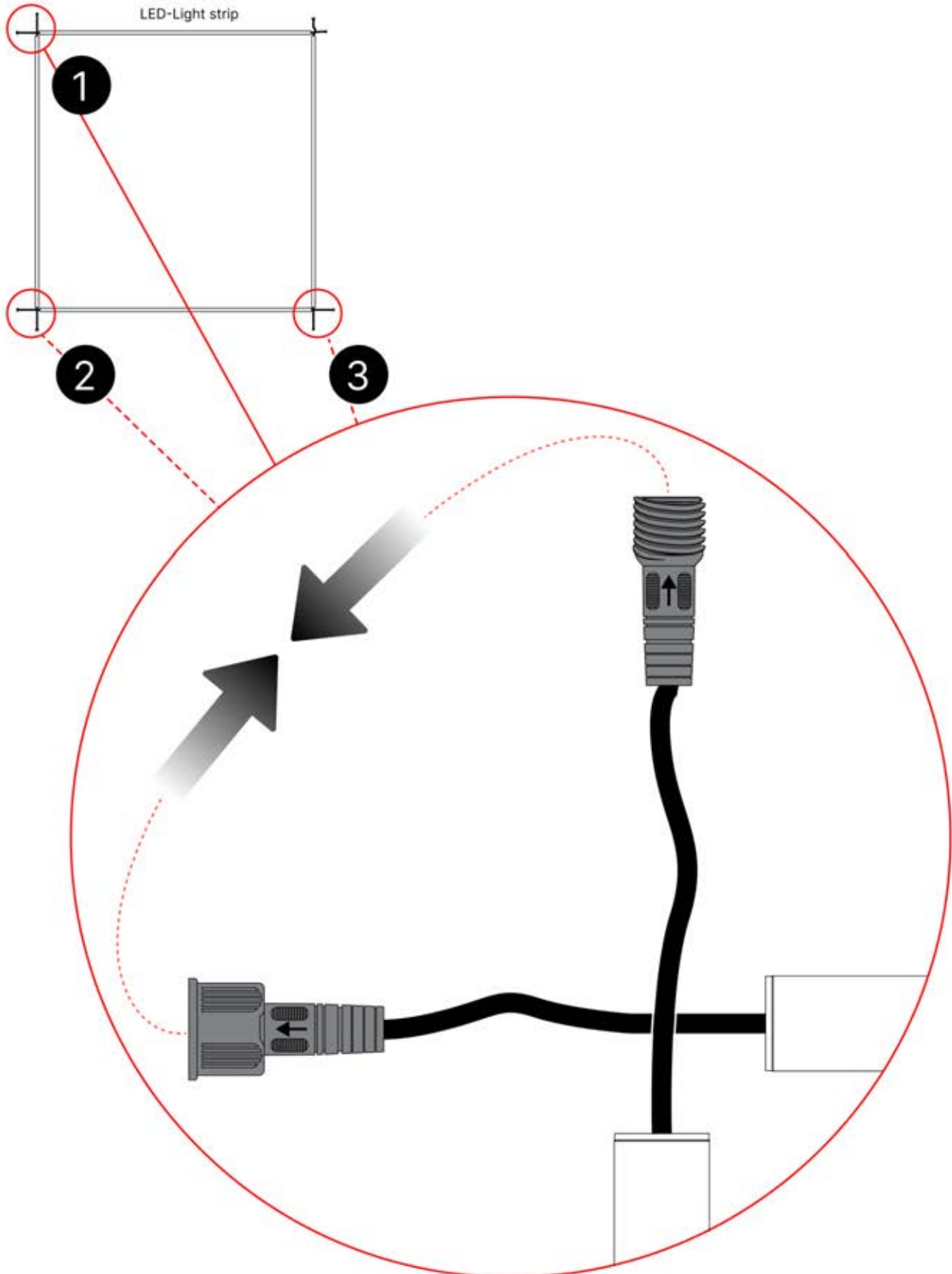


Important! Please watch all the videos before starting the assembly.

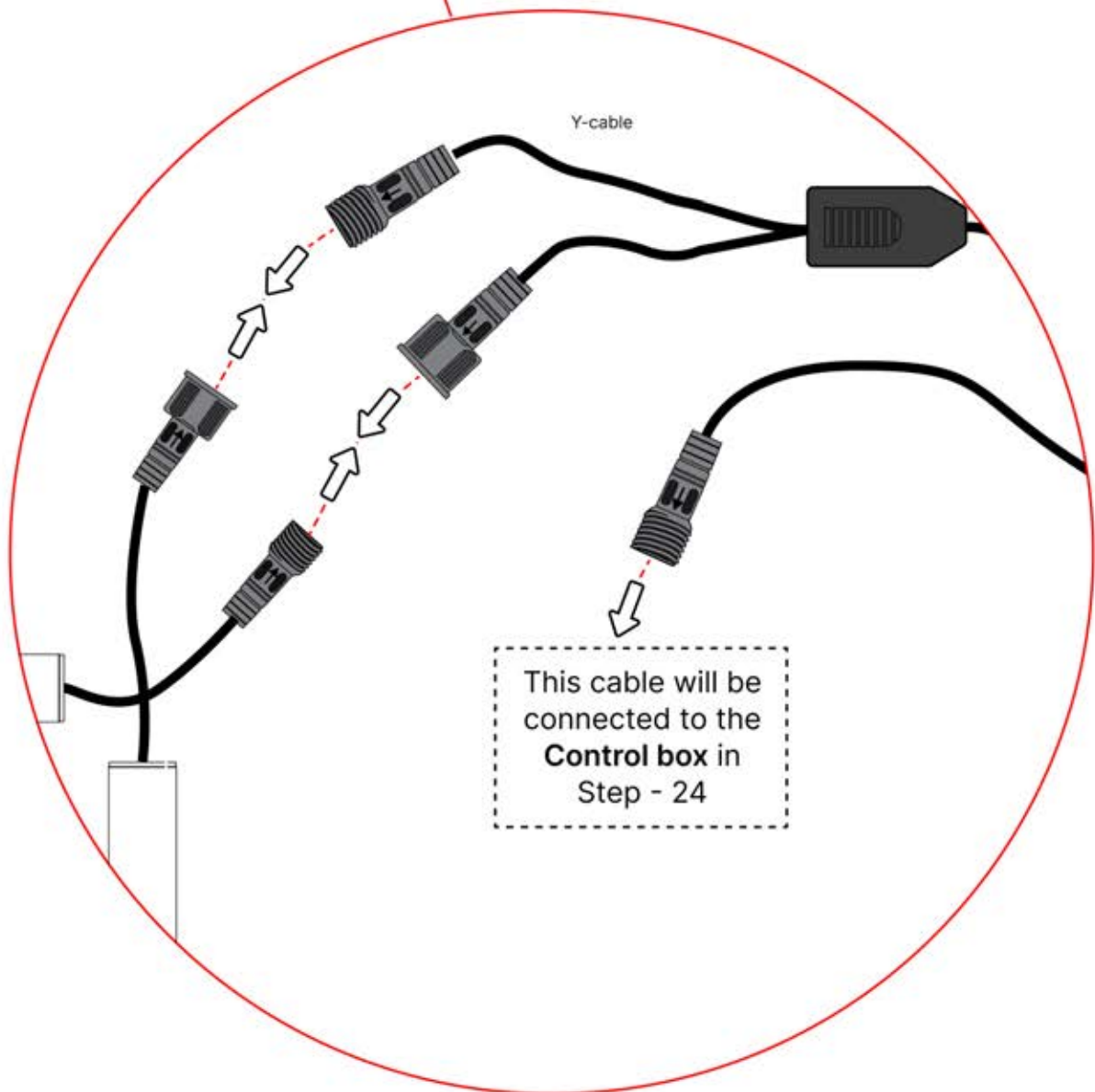
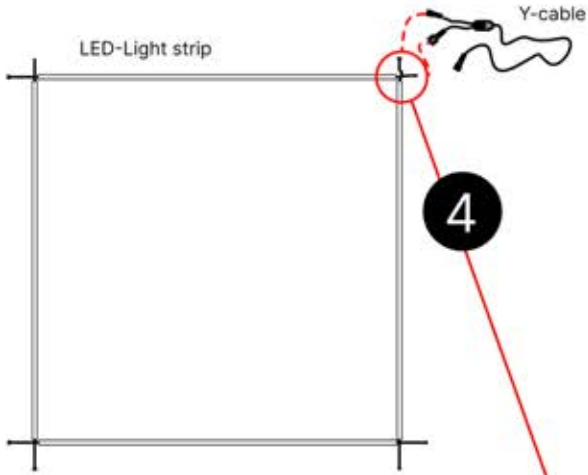
The videos contain important information relevant to the assembly process.



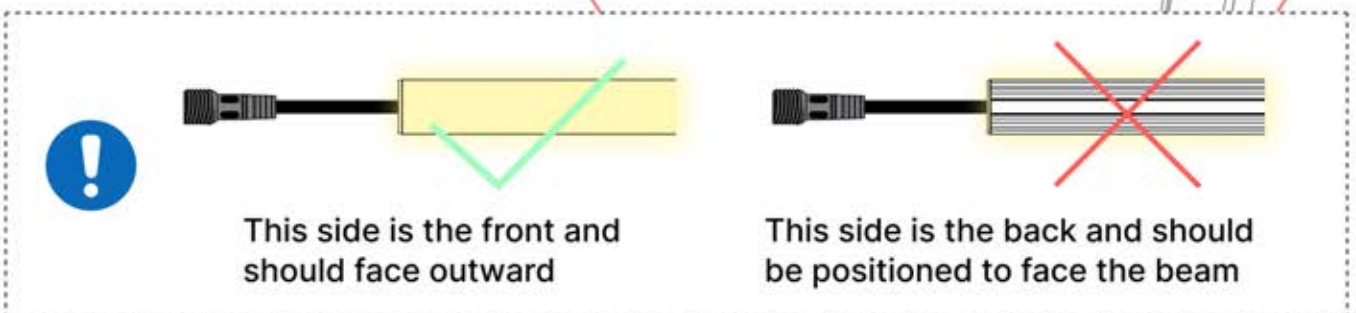
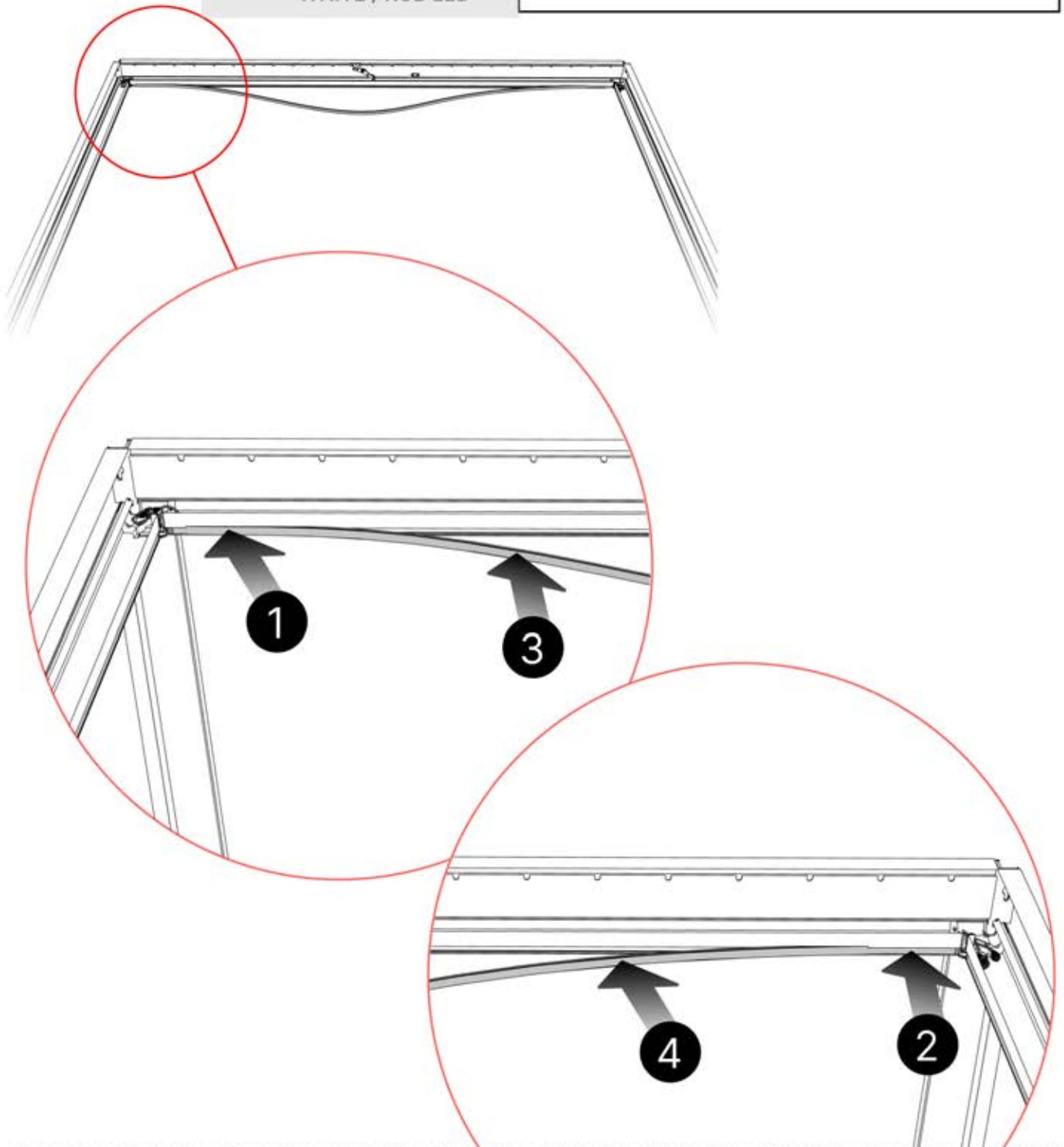
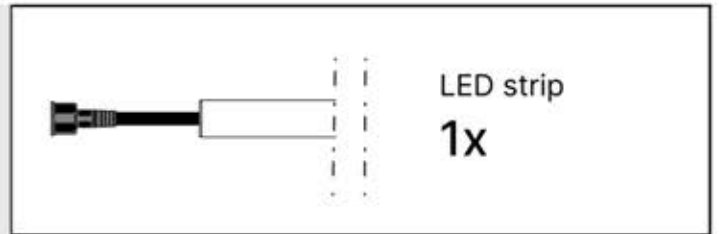
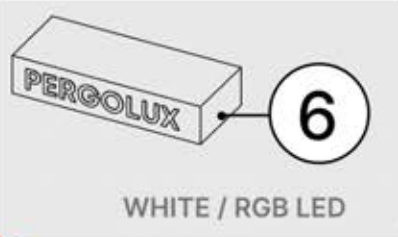
INFORMATION



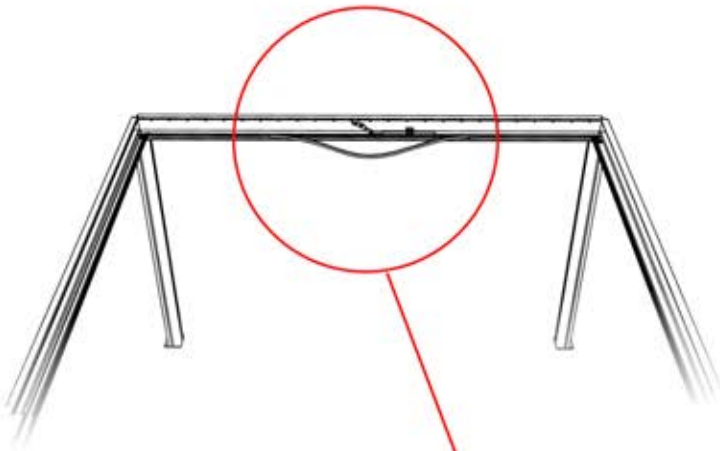
INFORMATION



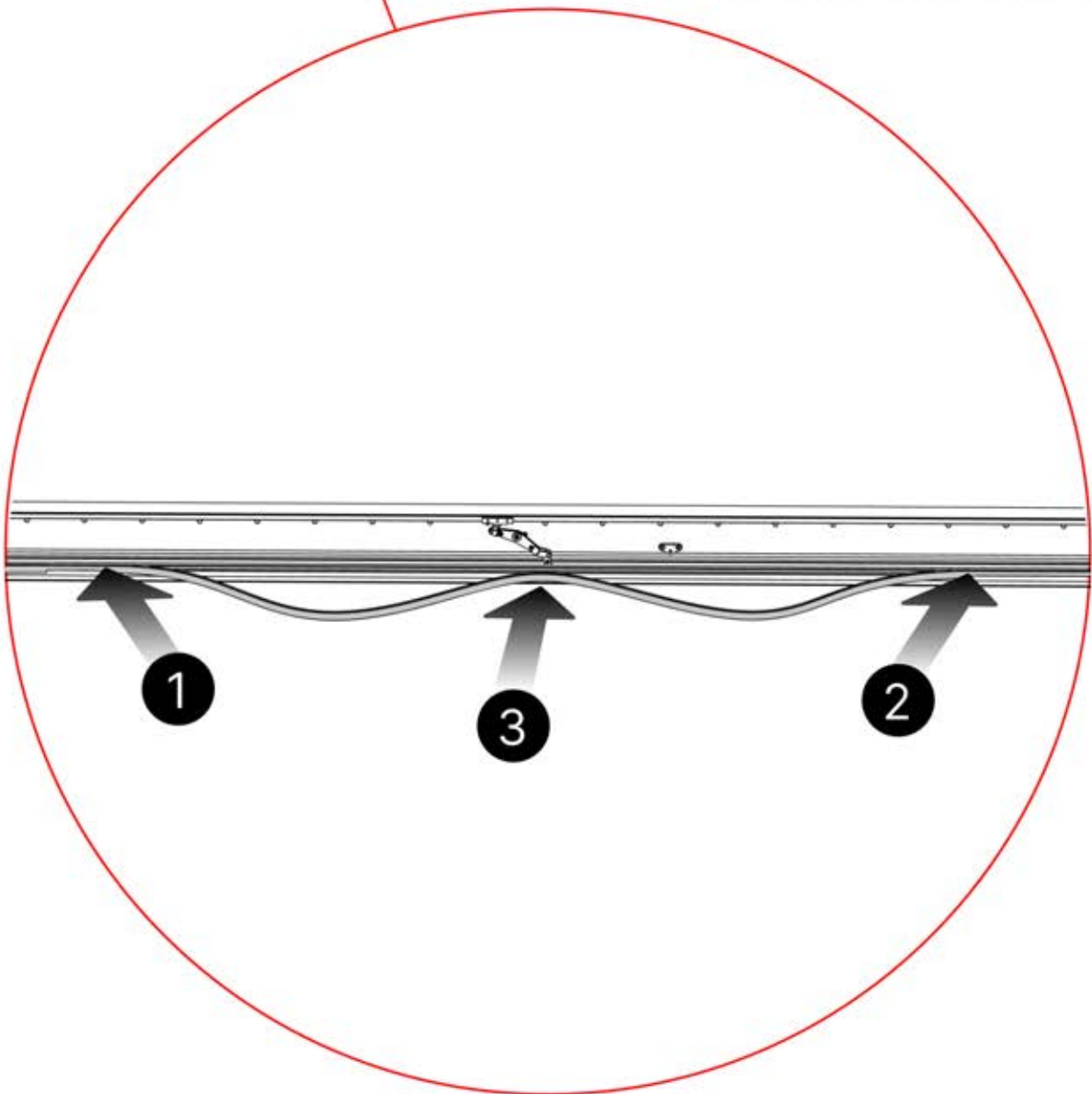
10



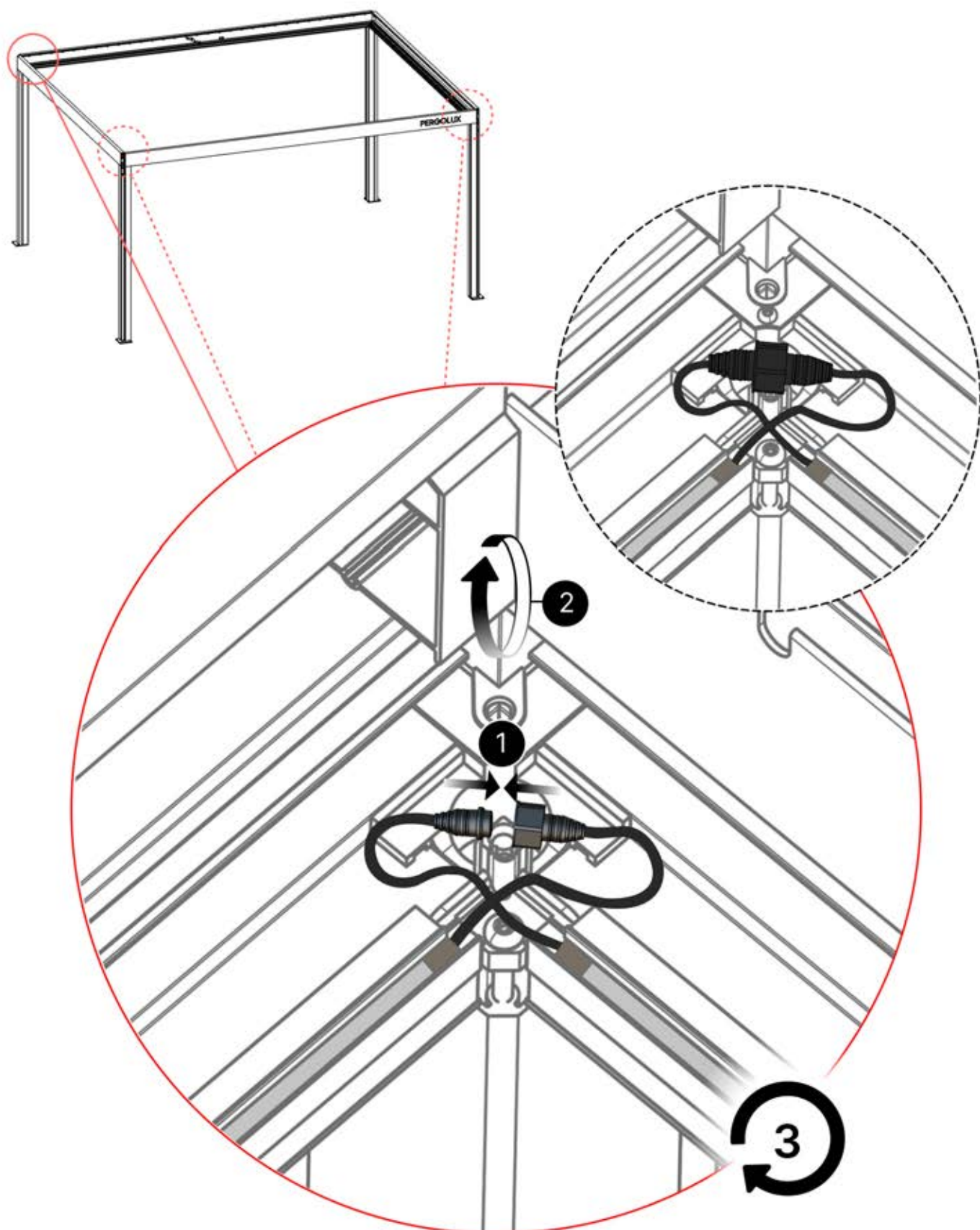
11



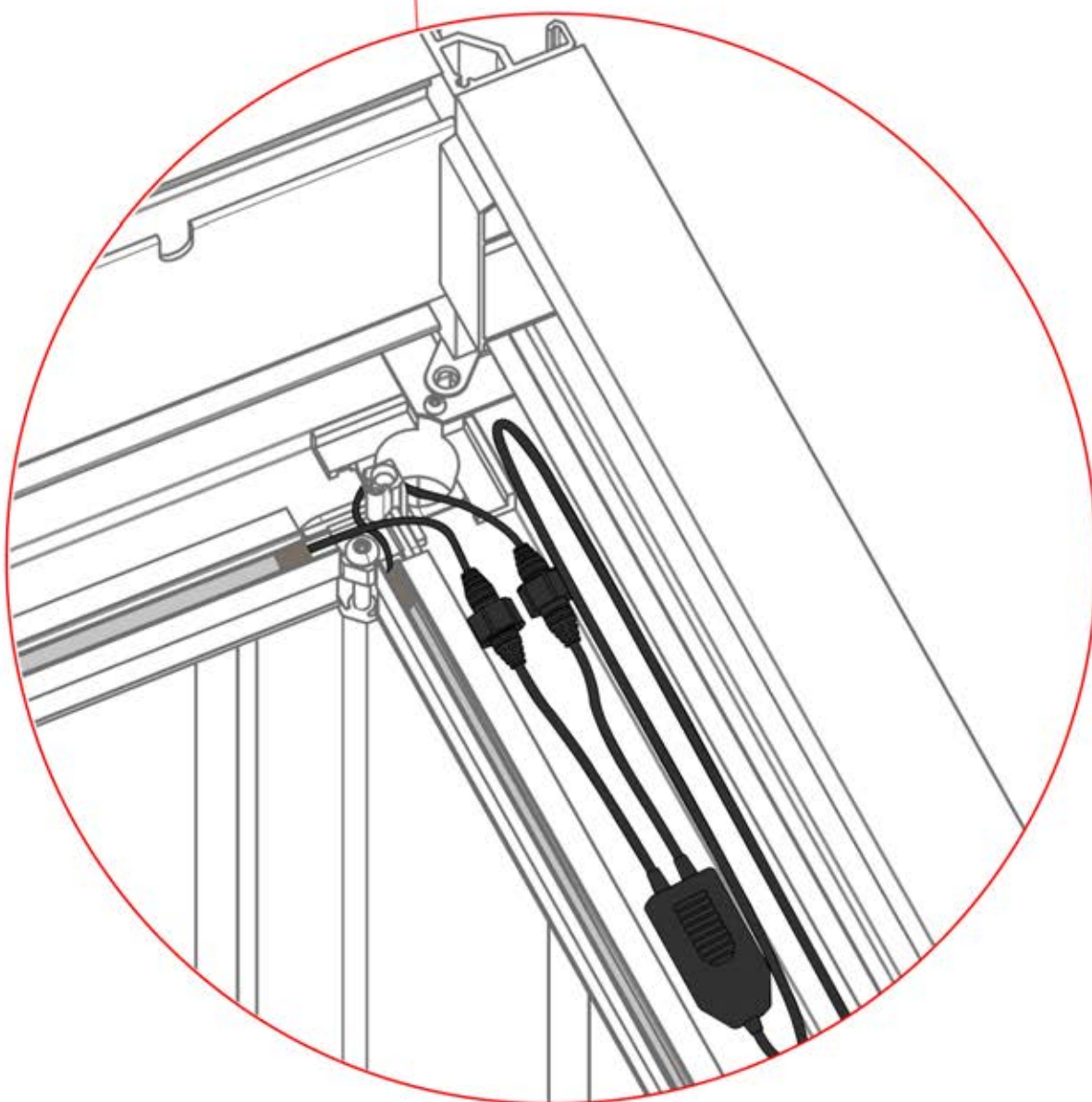
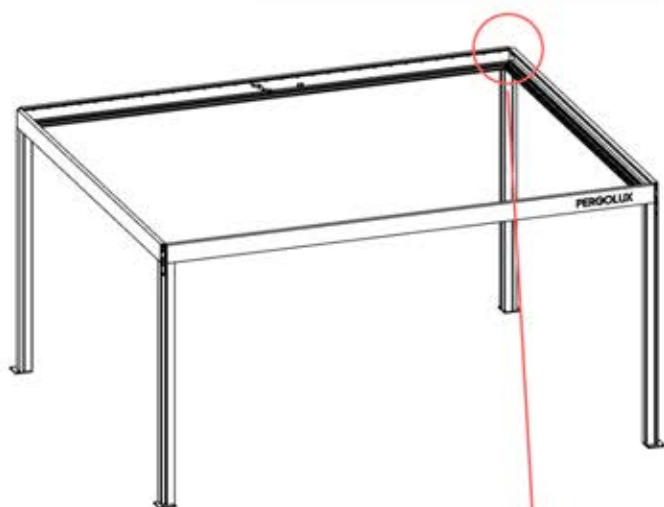
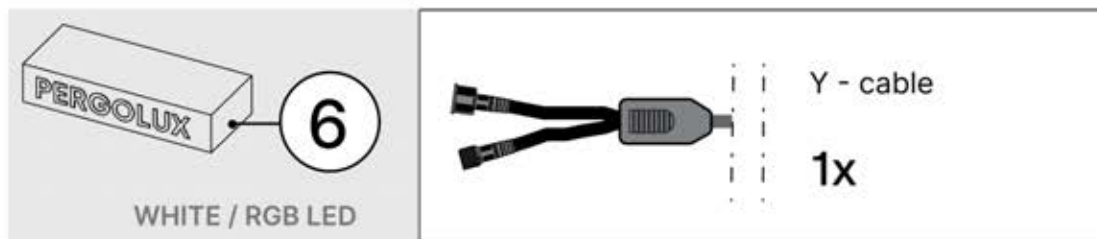
Tip: For a smoother LED installation, spray the track with soapy water before mounting.



12



13



14



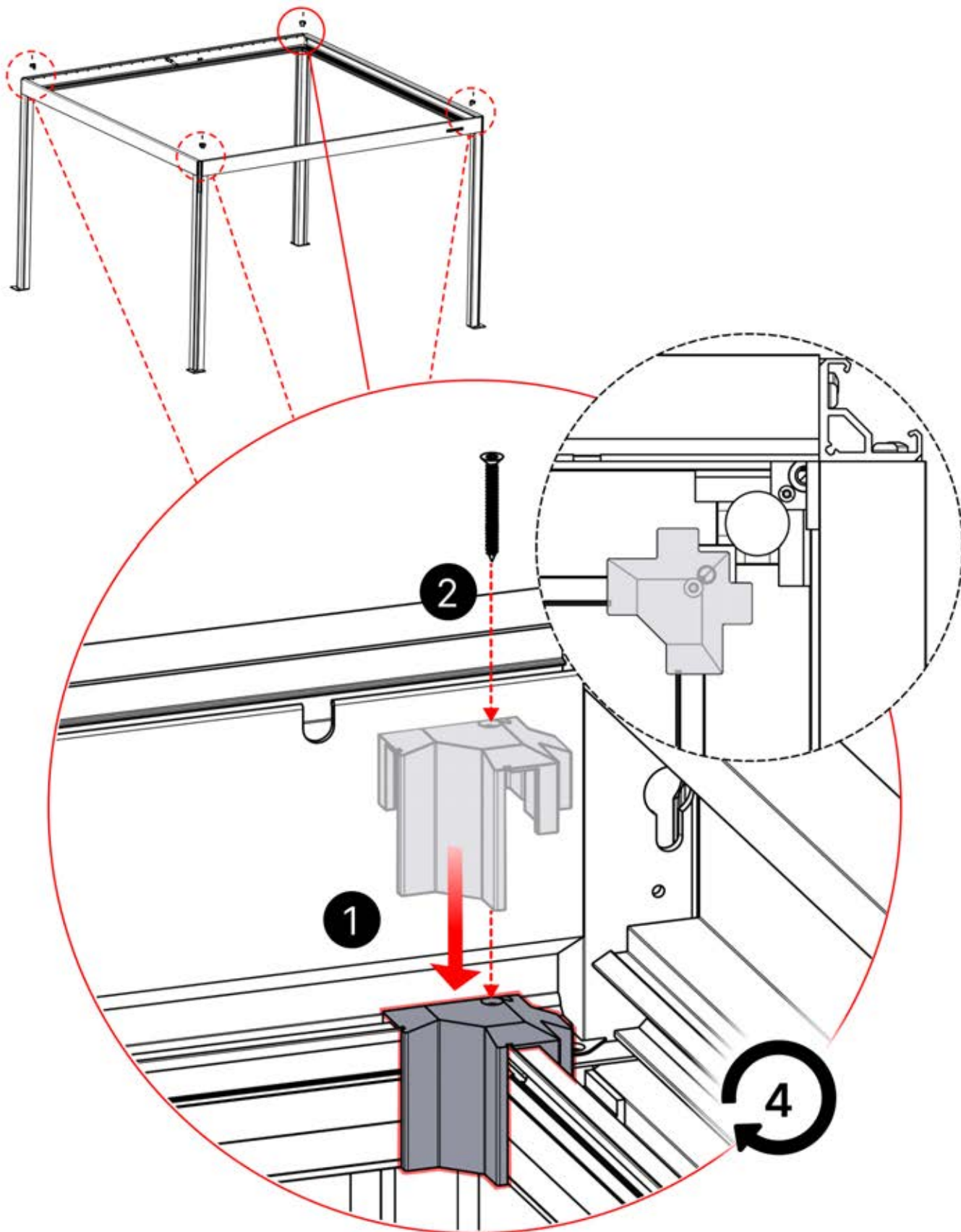
4

ANTHRACITE: B232
WHITE: B240
BLACK: B236

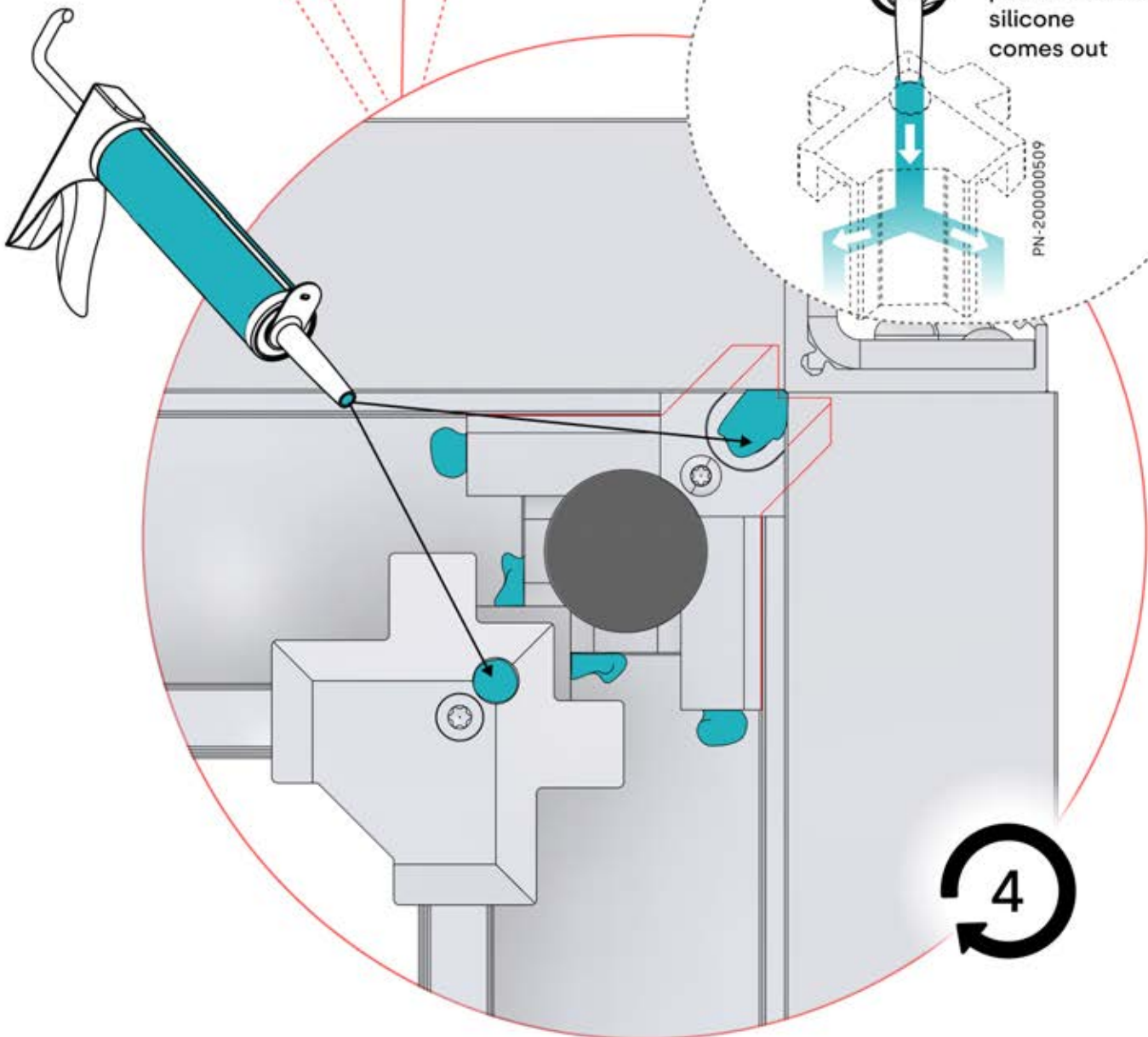
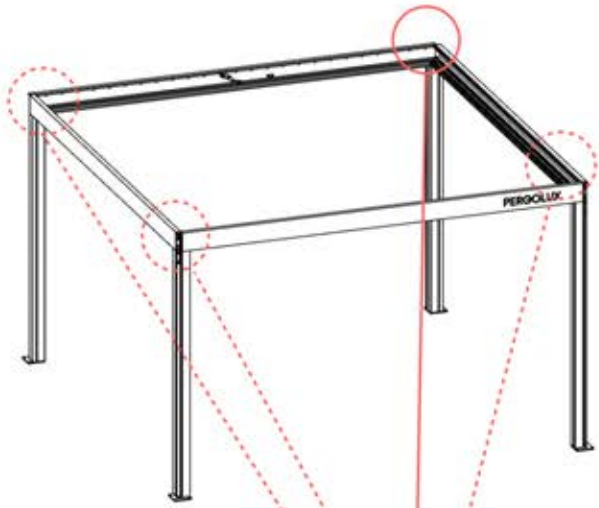
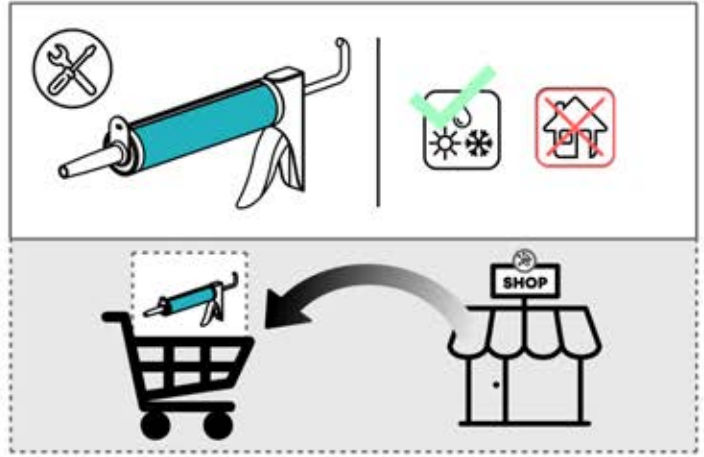


PN-200002625

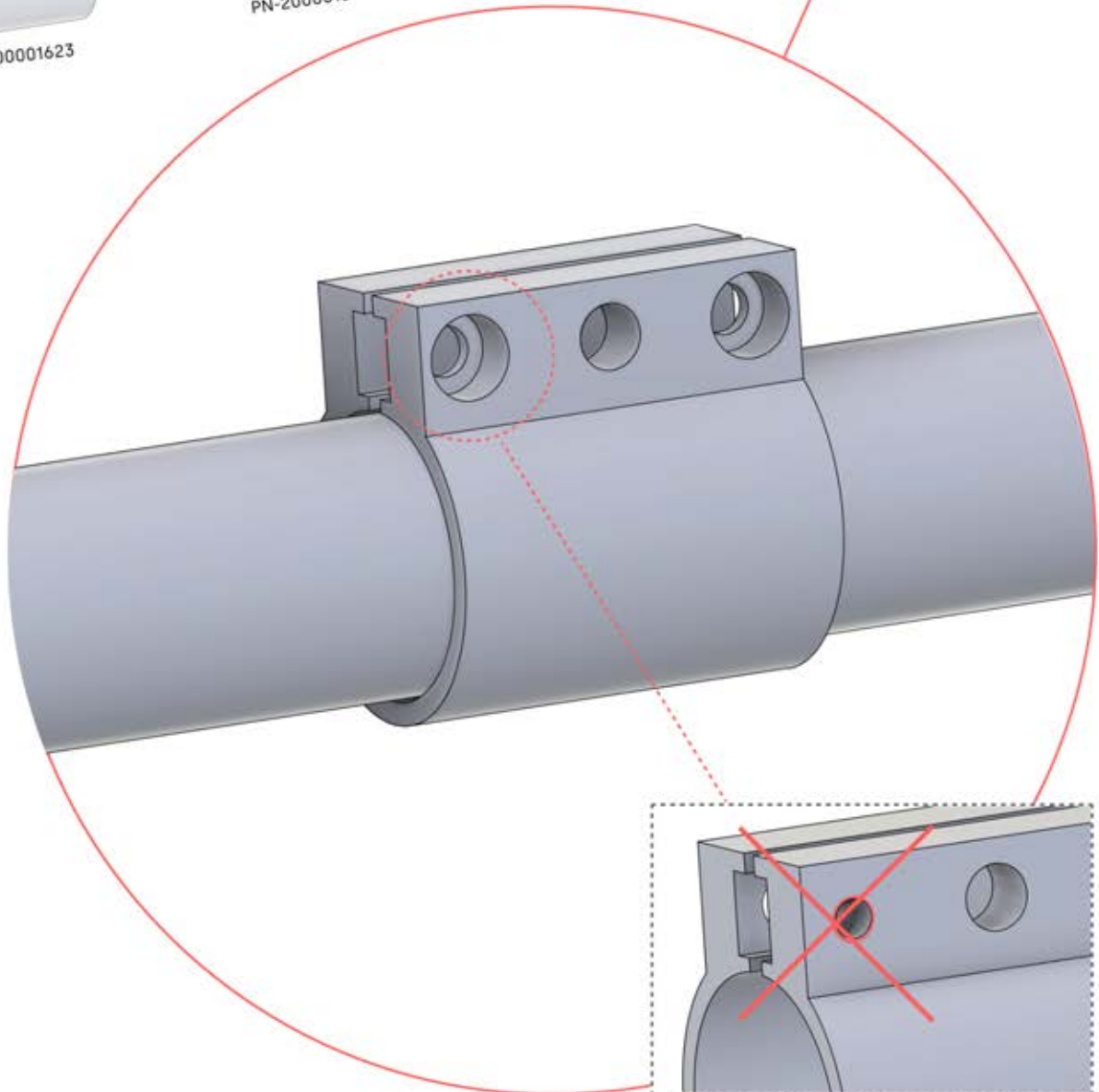
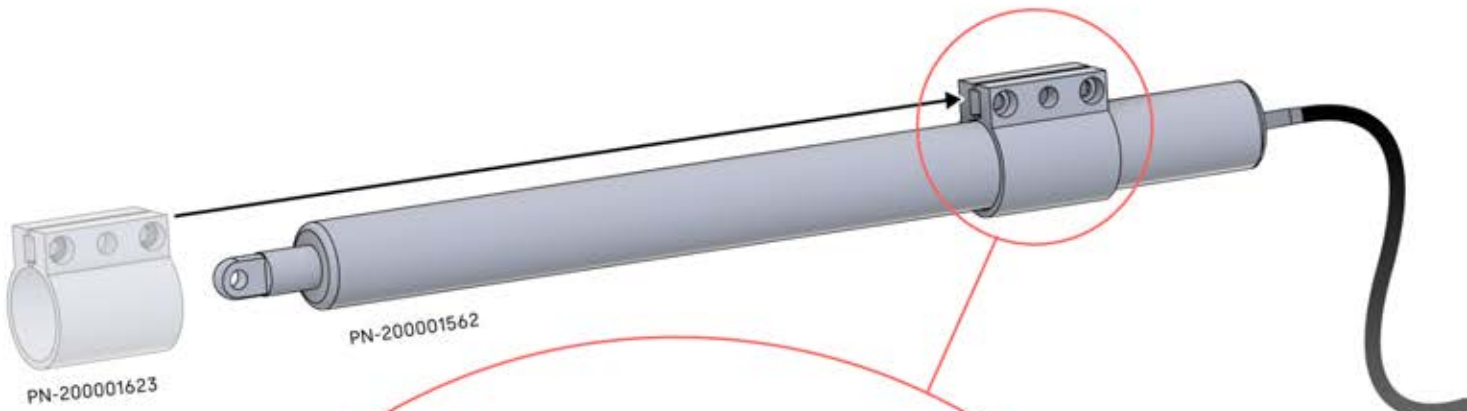
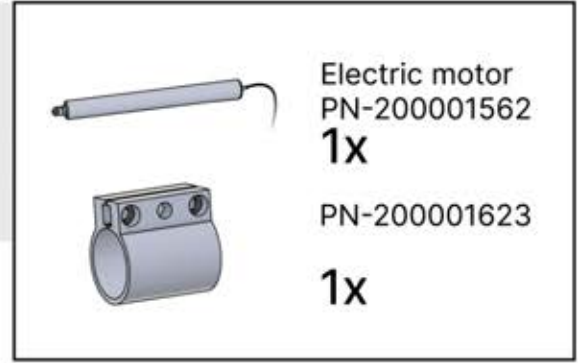
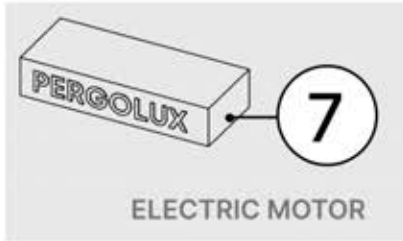
4x



15



16



18



4

ANTHRACITE: B232
WHITE: B240
BLACK: B236



PN-200003372
1x



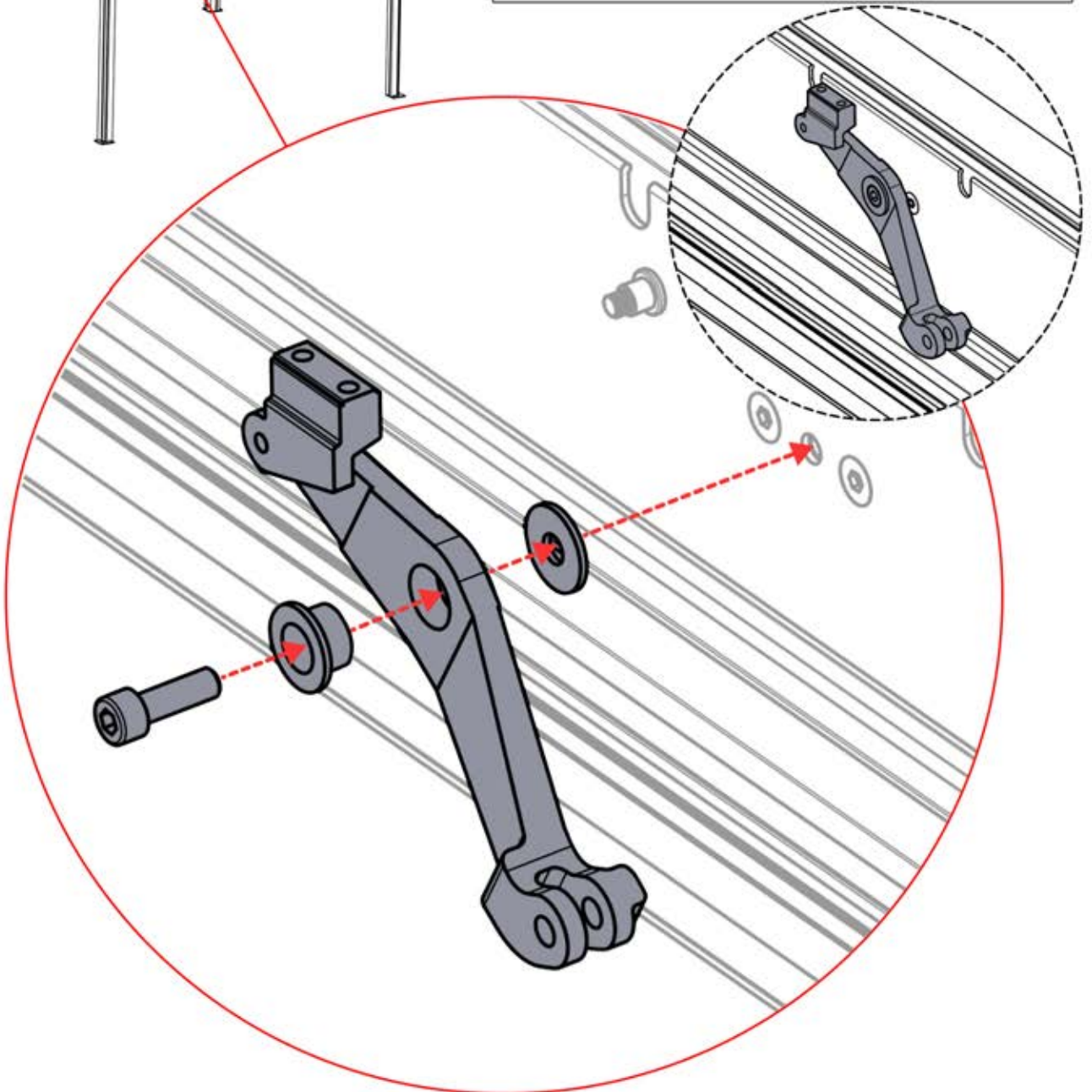
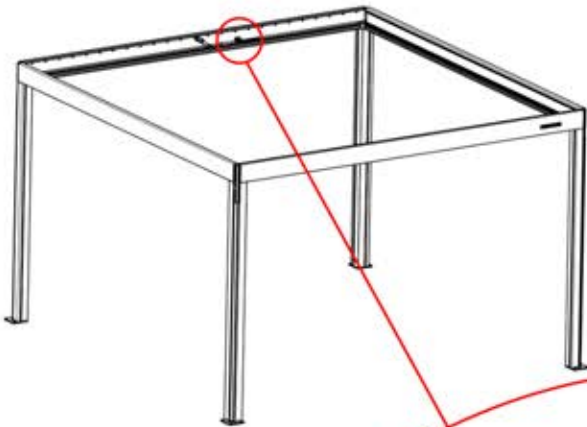
PN-20000502
1x




PN-200003373
1x





PN-20000561
1x




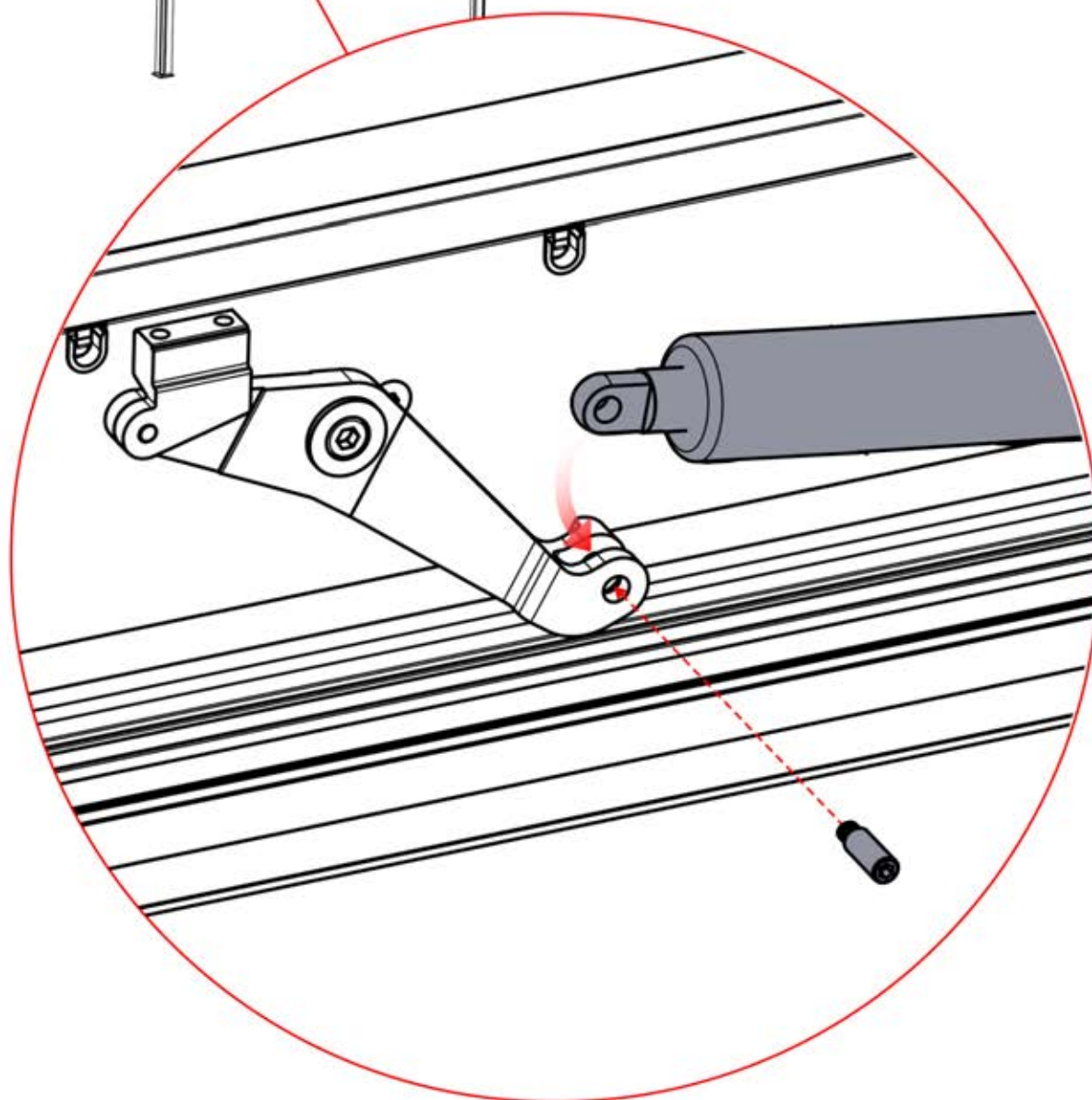
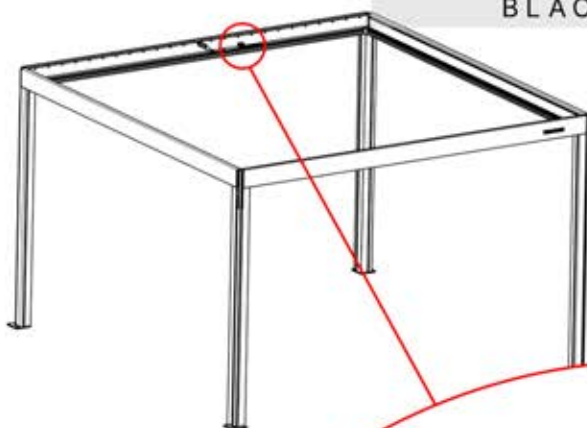
19

 **7**
ELECTRIC MOTOR

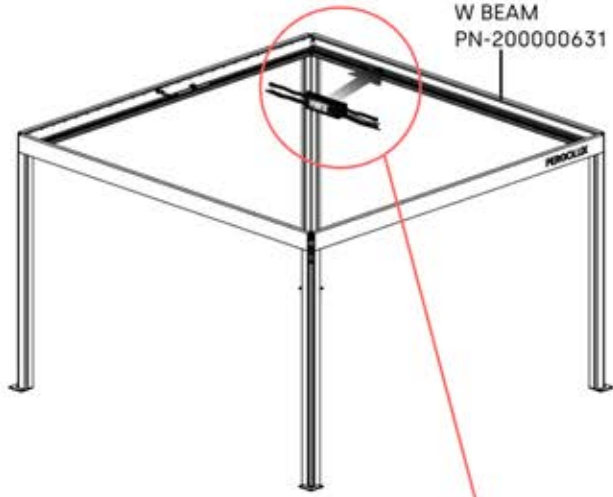
 **4**
ANTHRACITE: B232
WHITE: B240
BLACK: B236

 PN-200001562
1x

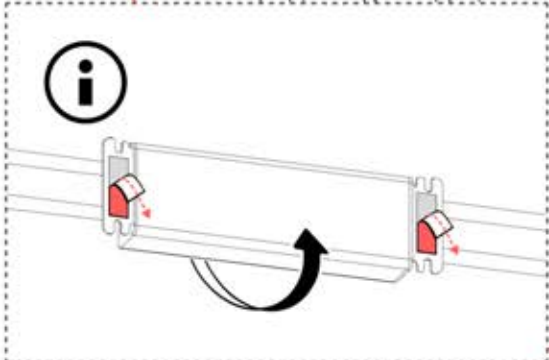
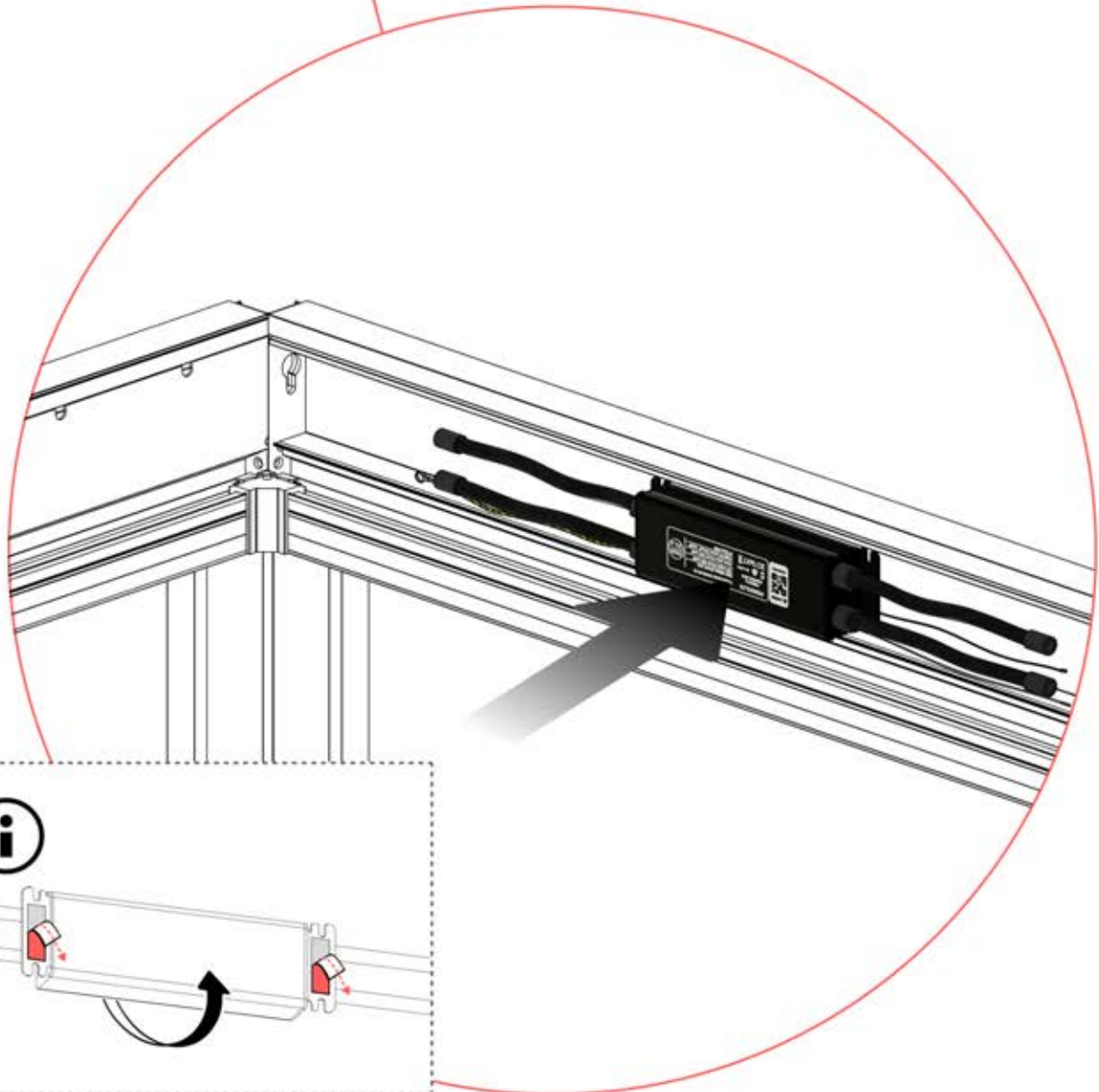
 PN-200001946
1x




20



!
Control Box can be
installed on
Preferred W BEAM




21

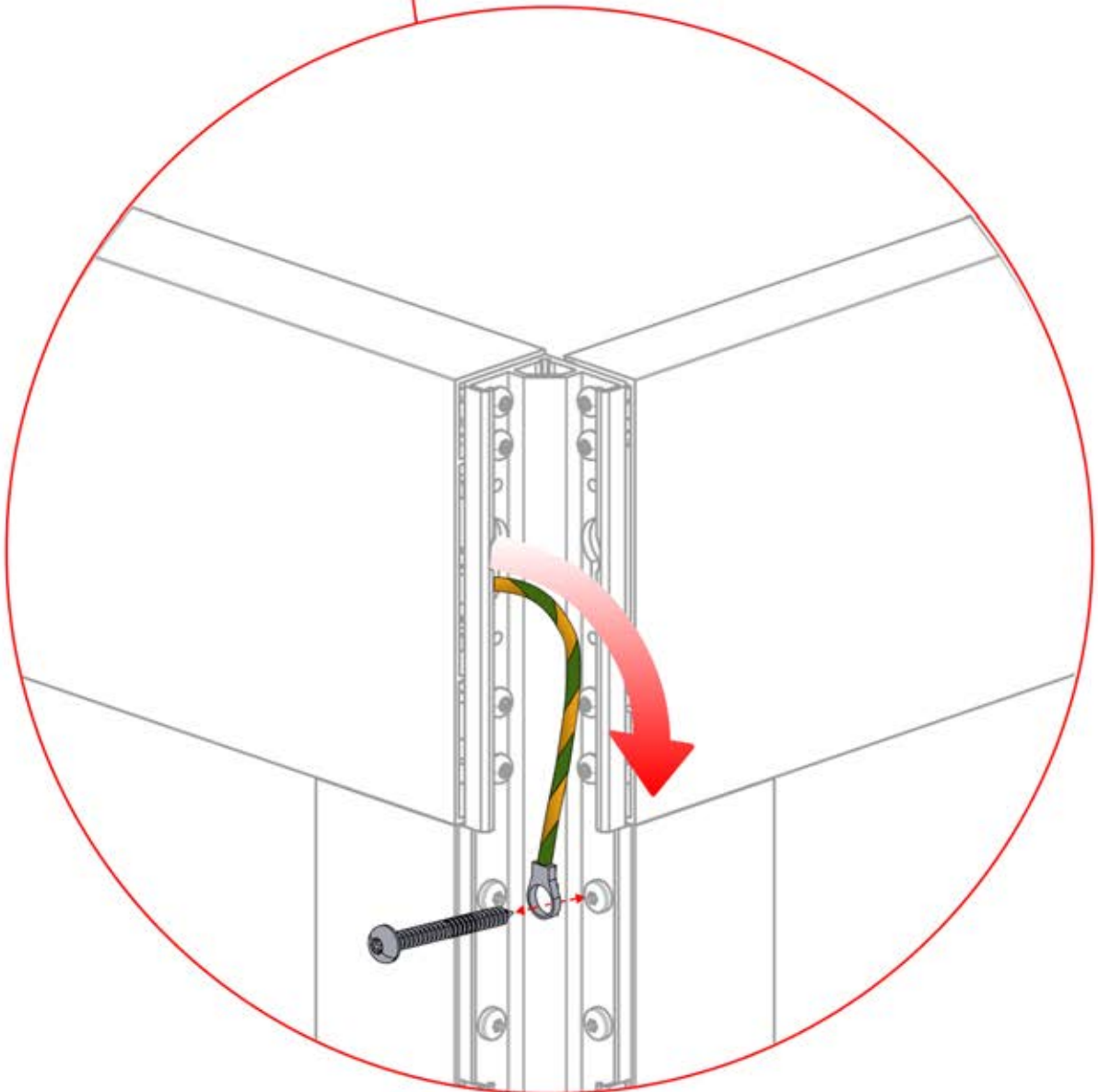
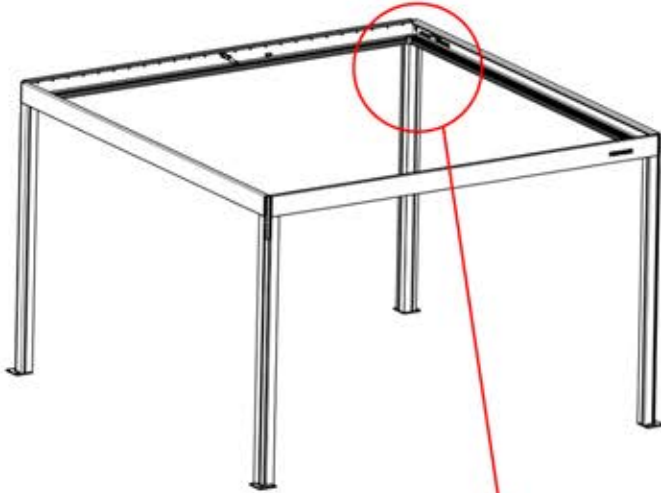
 **x1**
PERGOLUX

4

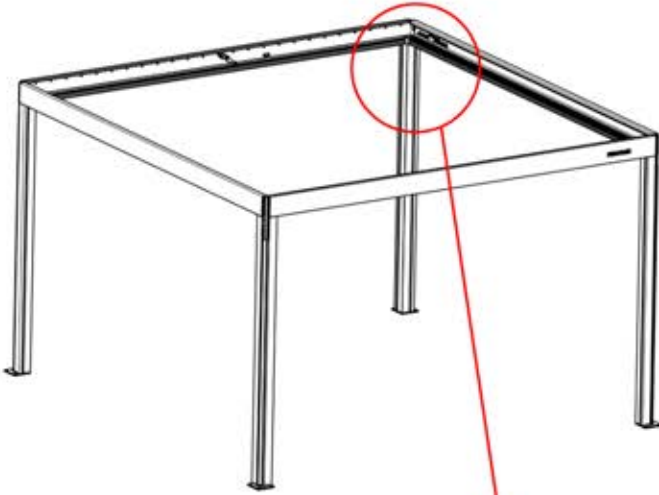
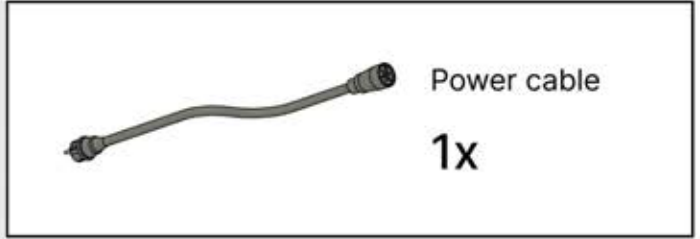
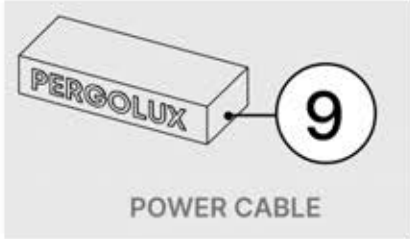
ANTHRACITE: B232
WHITE: B240
BLACK: B236



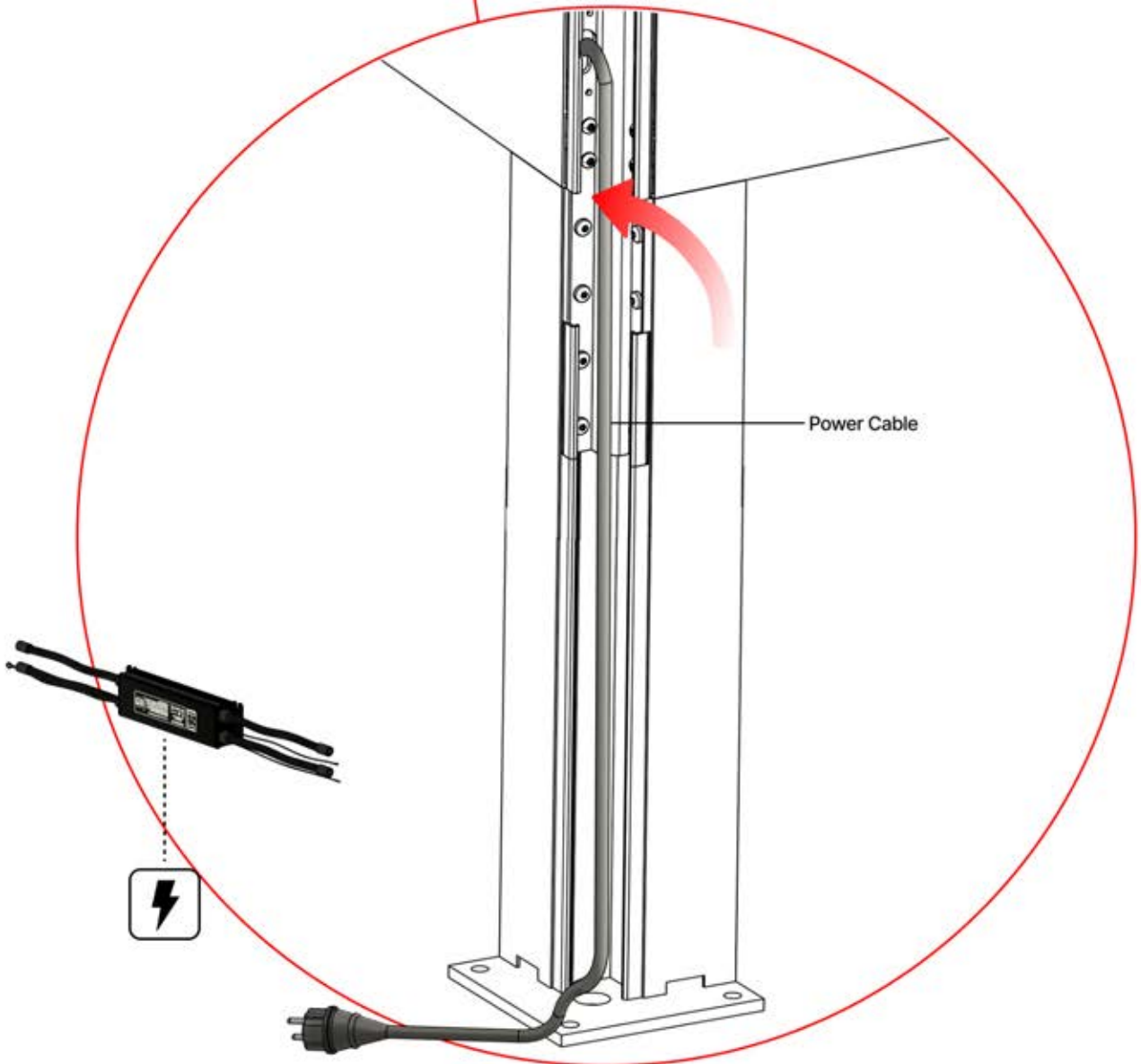
PN-200000568
1x



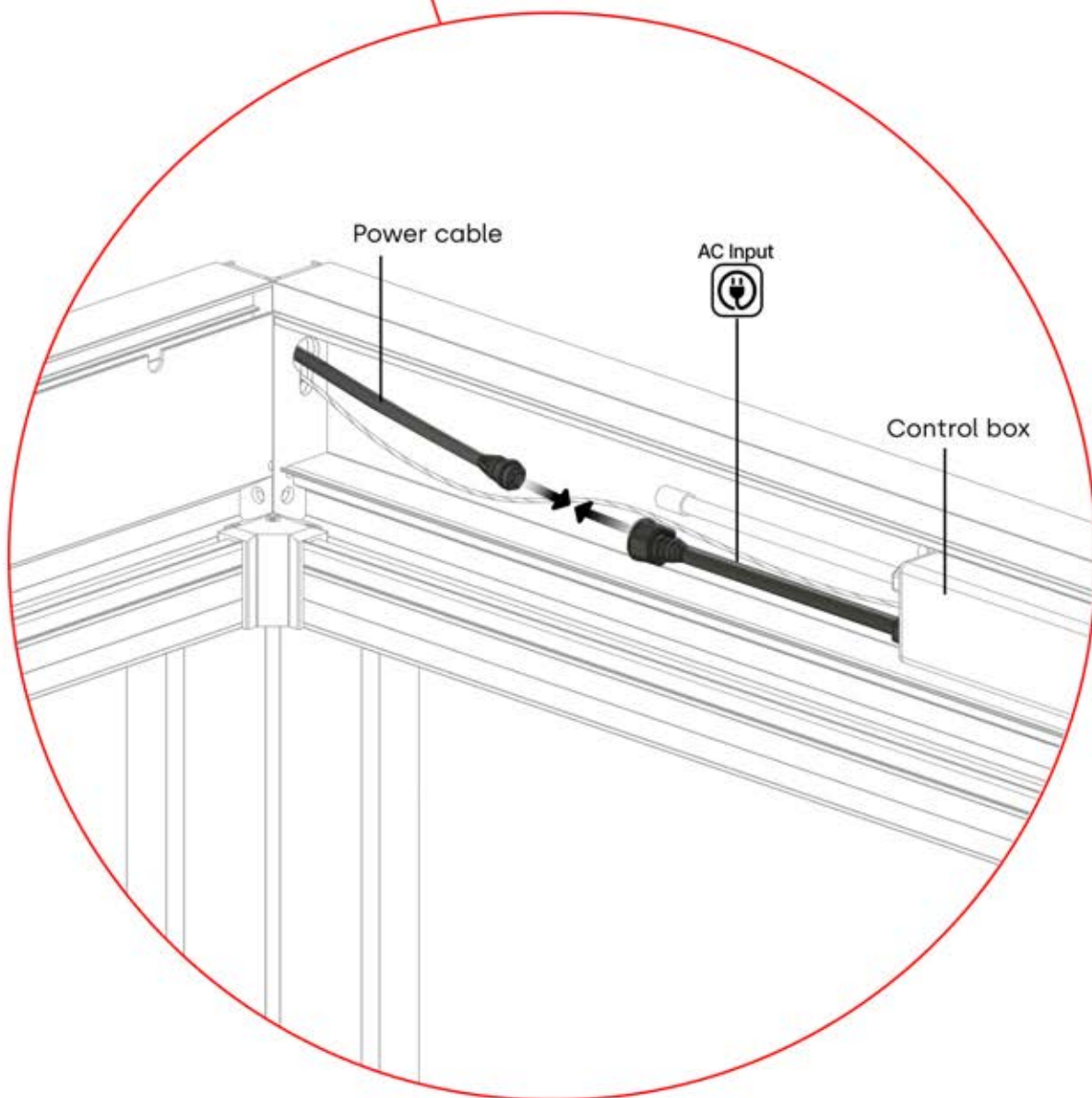
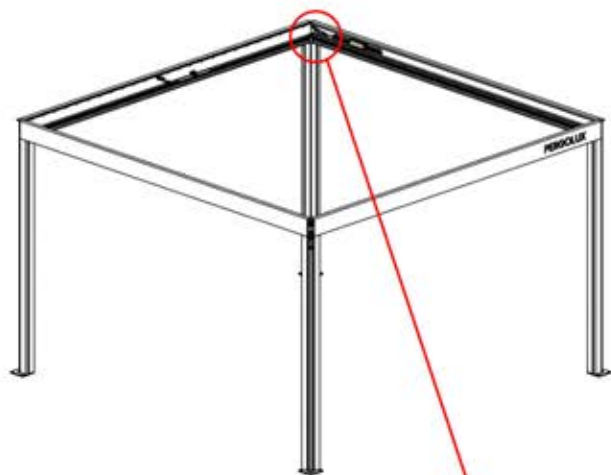
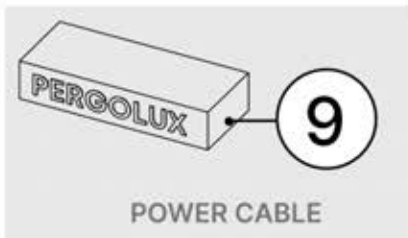
22



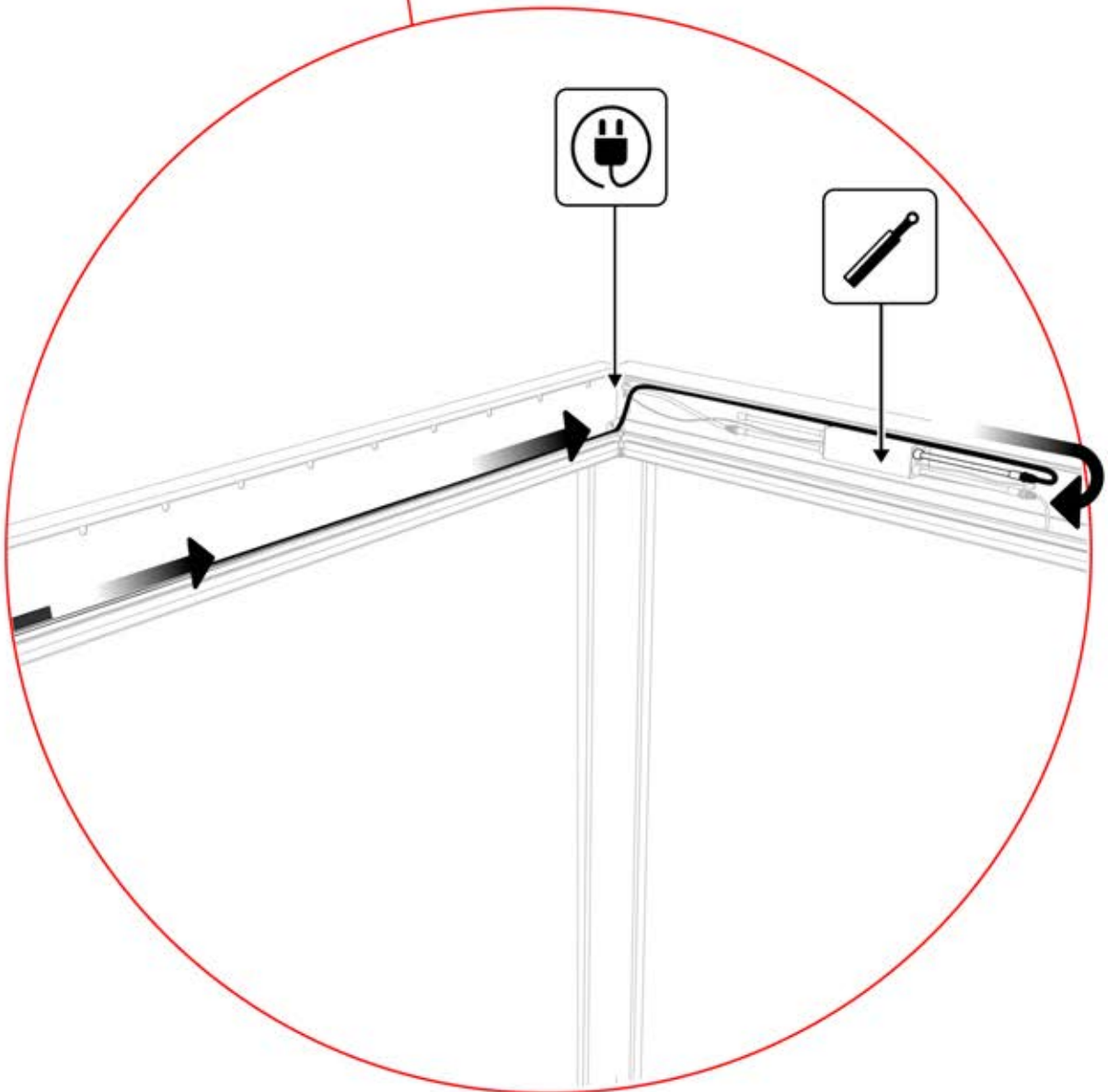
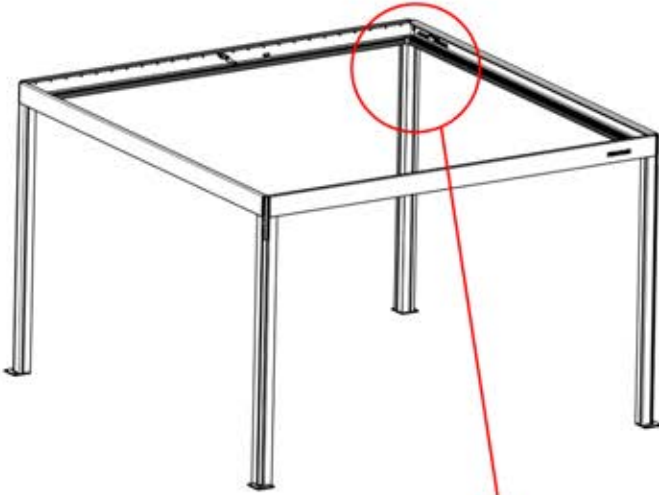
!
Power Cable can be
routed through all
the Poles.



23



24

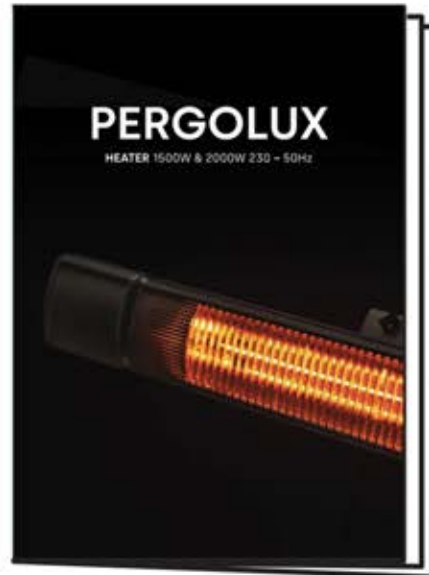


25

1

If you are going to install a heater, do it now.

Follow the instructions in the heater assembly manual.



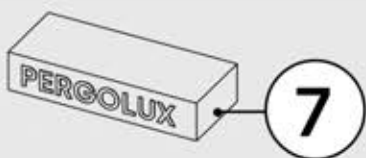


2

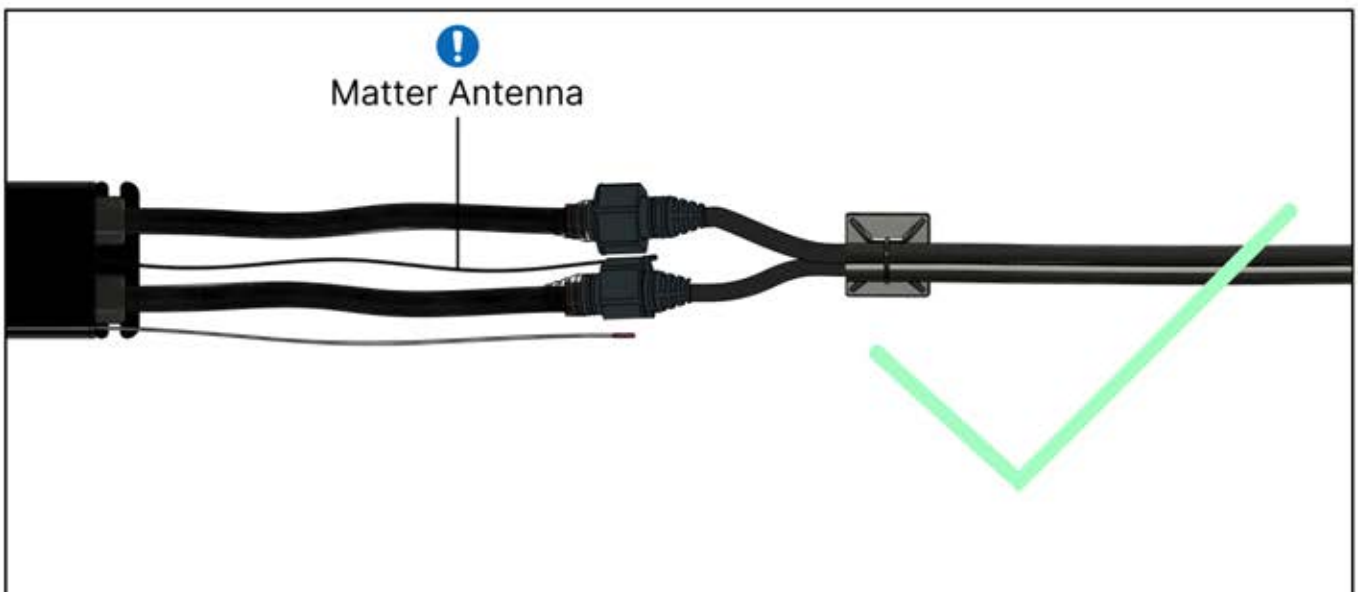
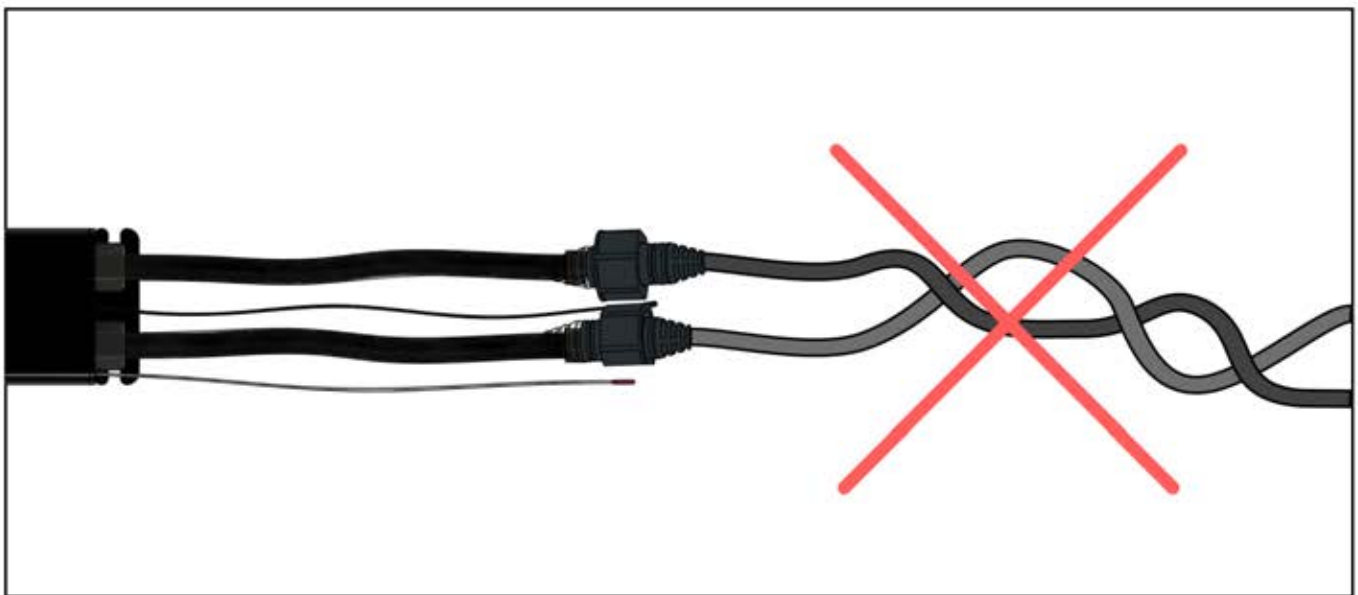
It's time to connect the motor and LED lights to the pergola control box.

Follow the instruction in the assembly manual.



26

 <p>CONTROL BOX</p>	<p>S4</p>  <p>PN-200002683 5x</p>  <p>PN-200002684 10x</p>
<p>! Keep the Matter Antenna wire free and do not tie them with LED and Motor wire</p>	



27



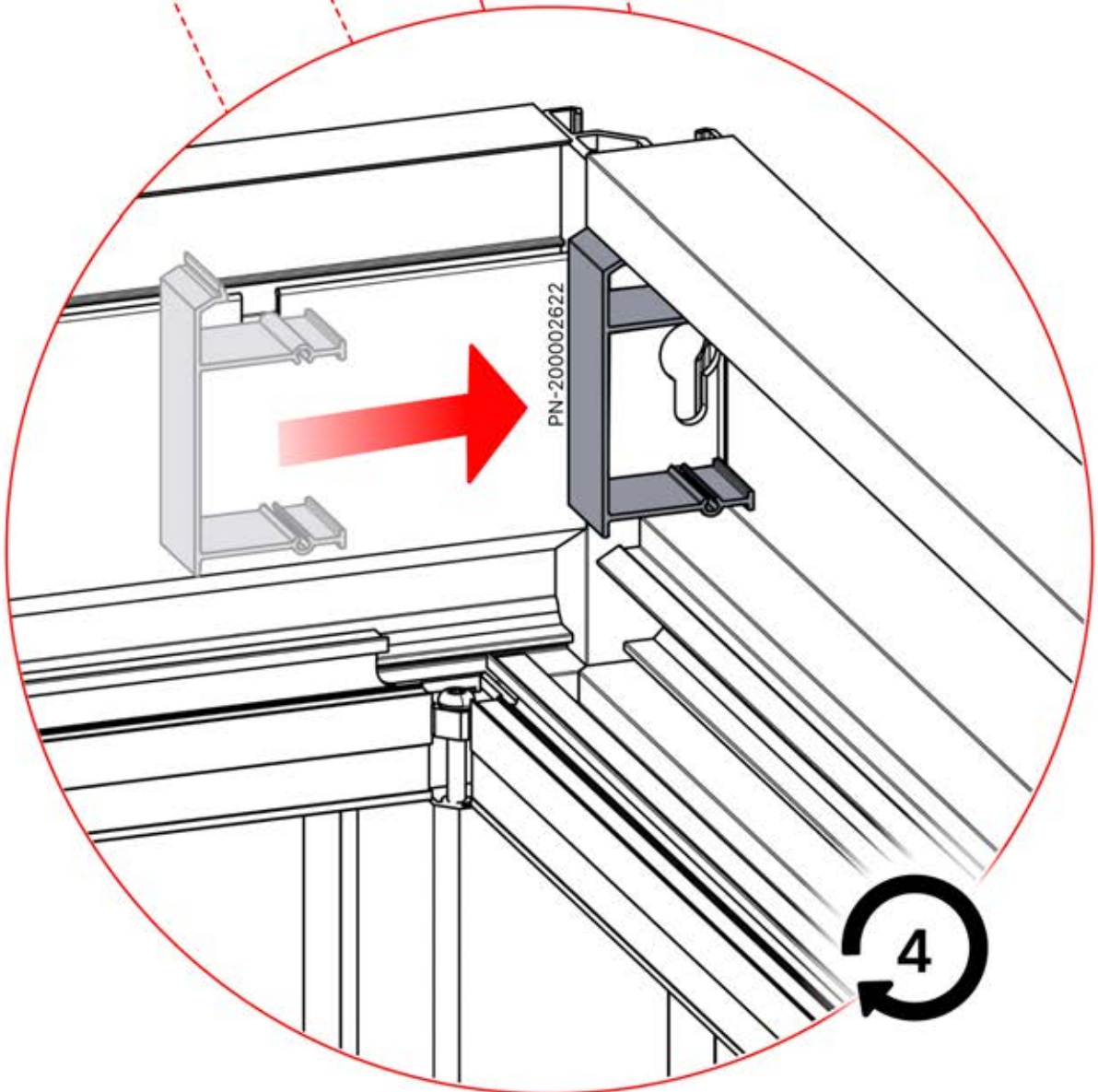
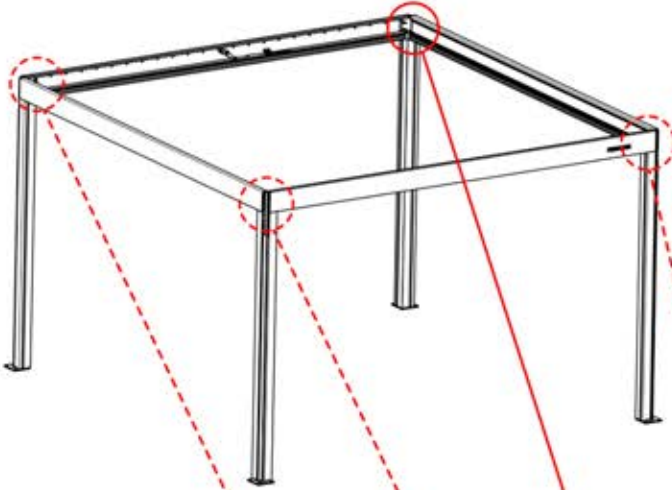
4

ANTHRACITE: B232
WHITE: B240
BLACK: B236



PN-200002622

4x



28



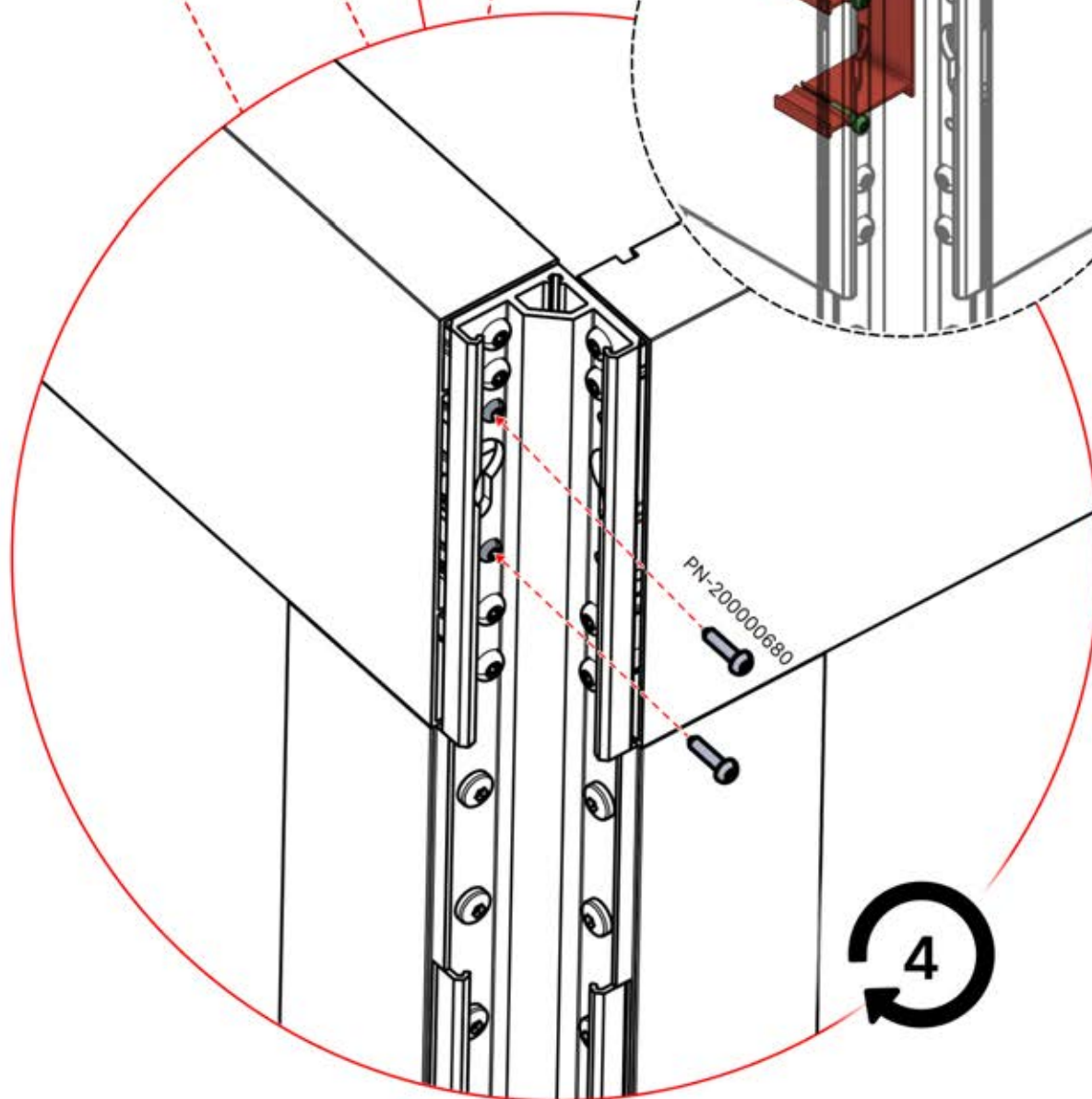
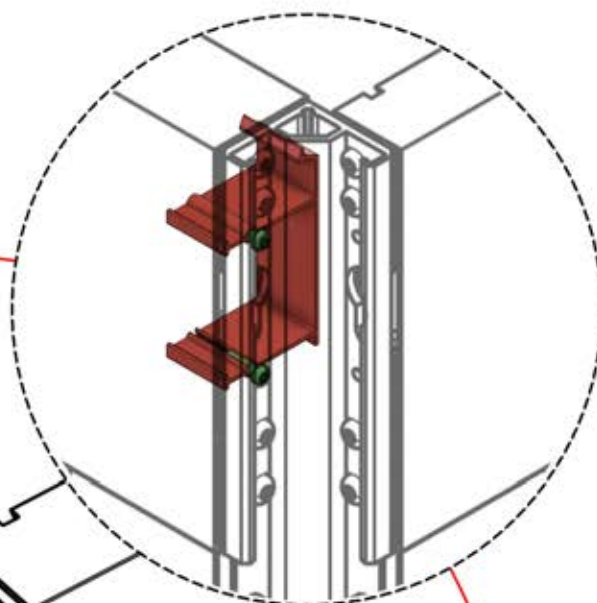
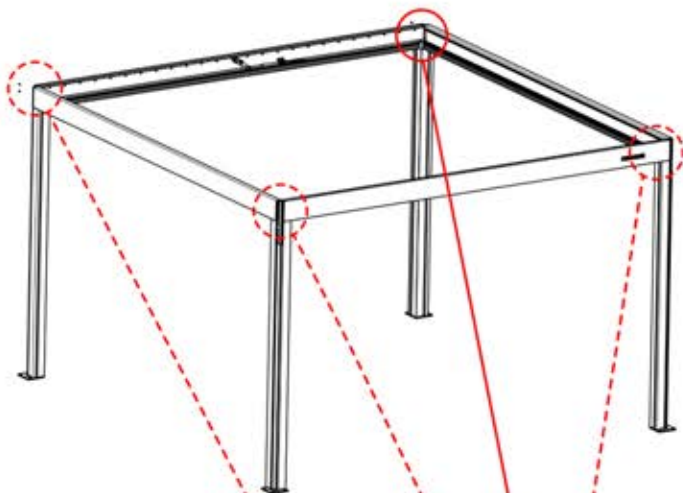
4

ANTHRACITE: B232
WHITE: B240
BLACK: B236



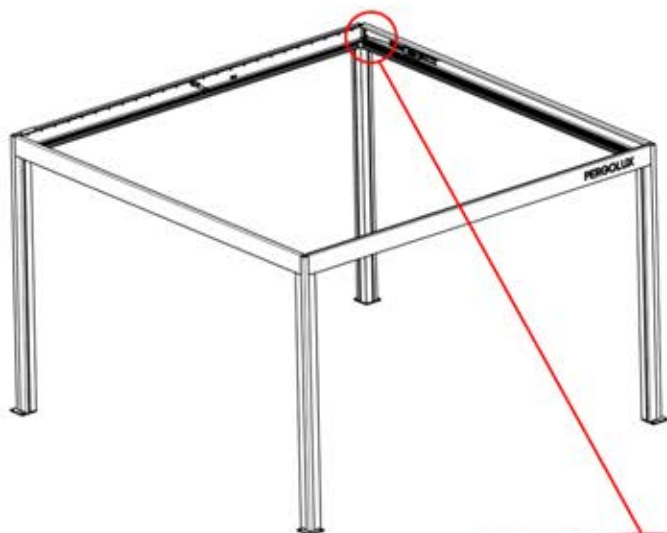
PN-200000680

8x

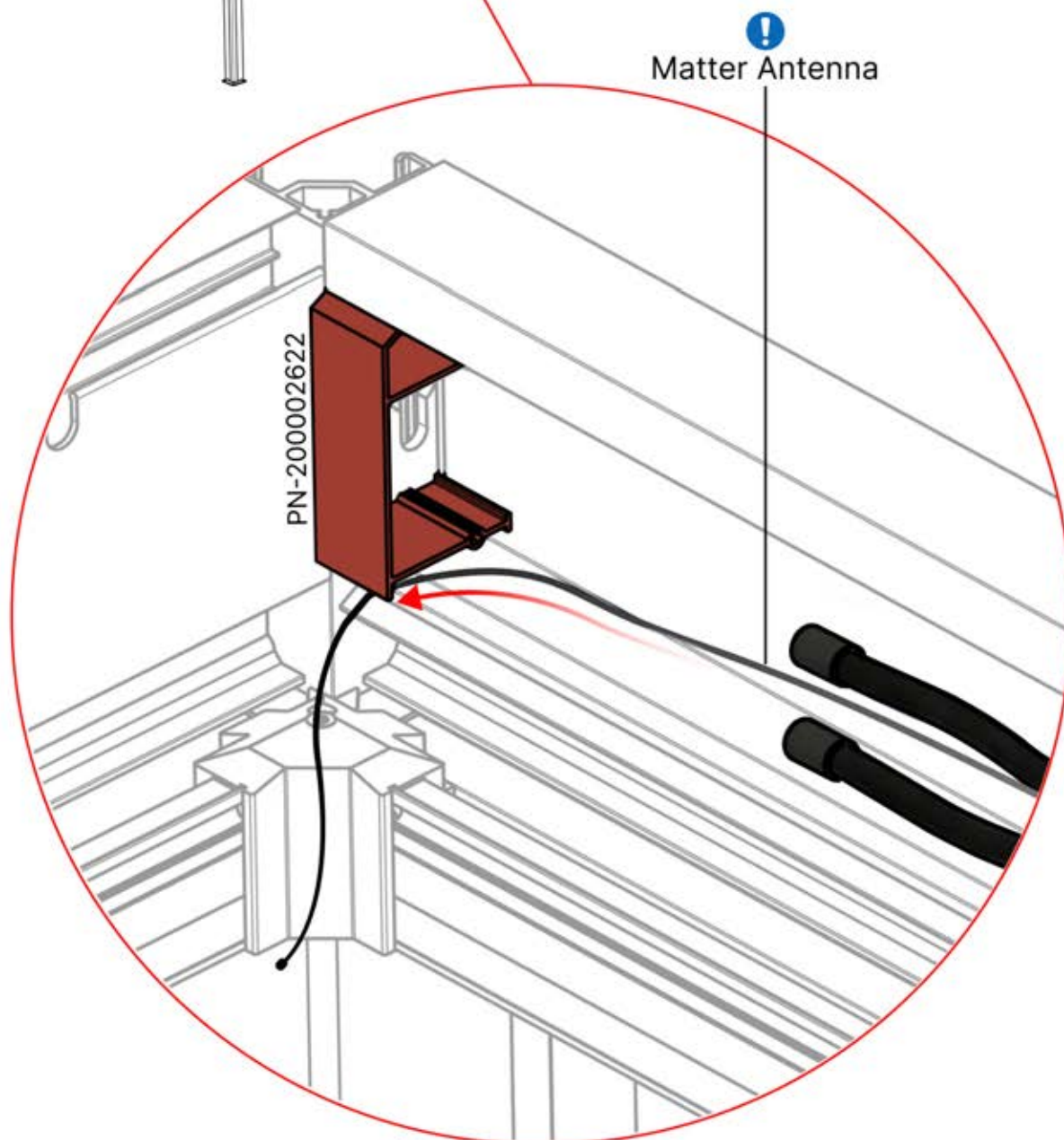


4

29



!
Route the Matter
Antenna and place it
below the highlighted
part(PN-200002622).



INFORMATION

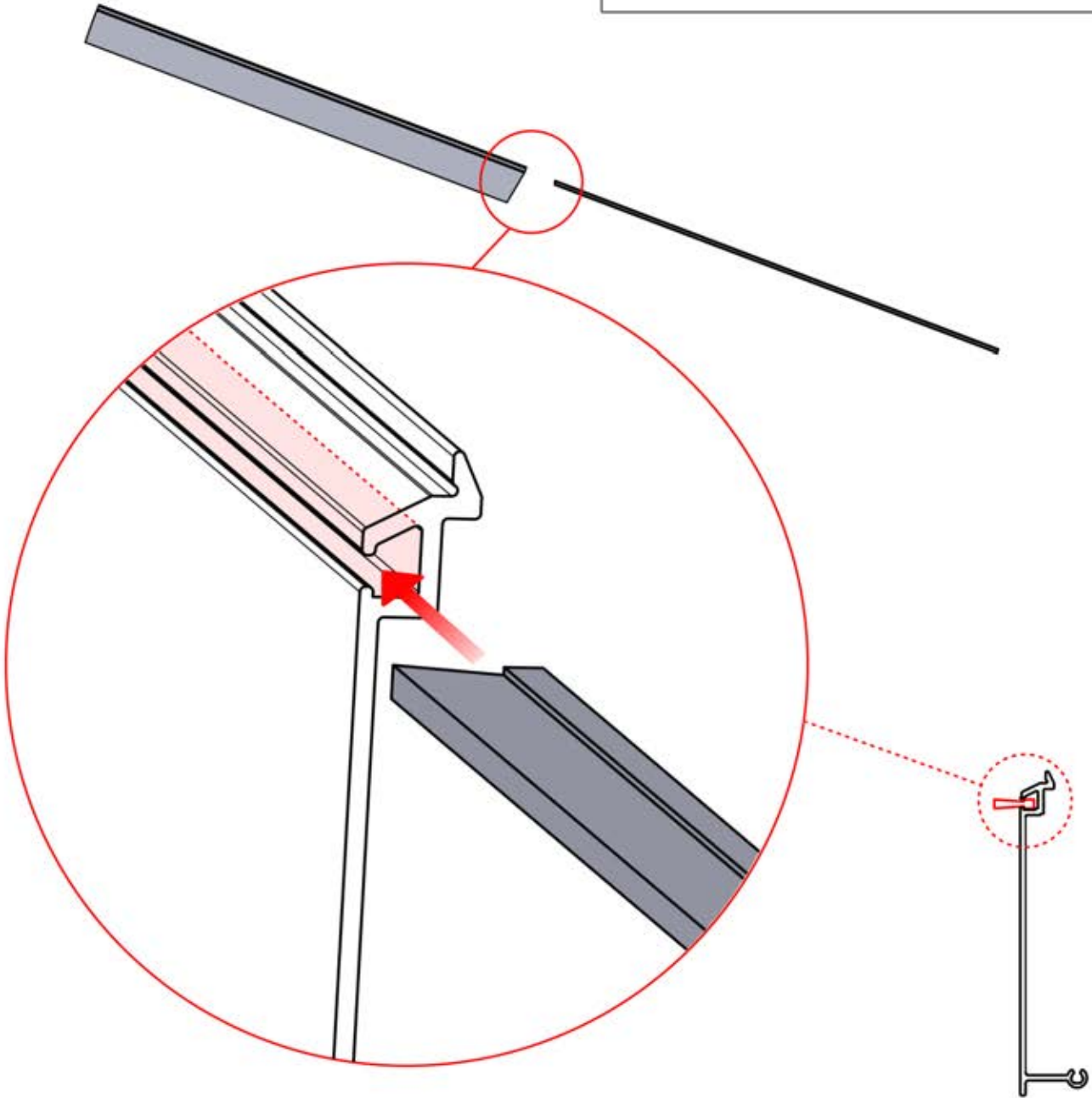
x7
PERGOLUX

5

ANTHRACITE: B256
WHITE: B260
BLACK: B258

PN-200003554
2x

PN-200003397
2x




30

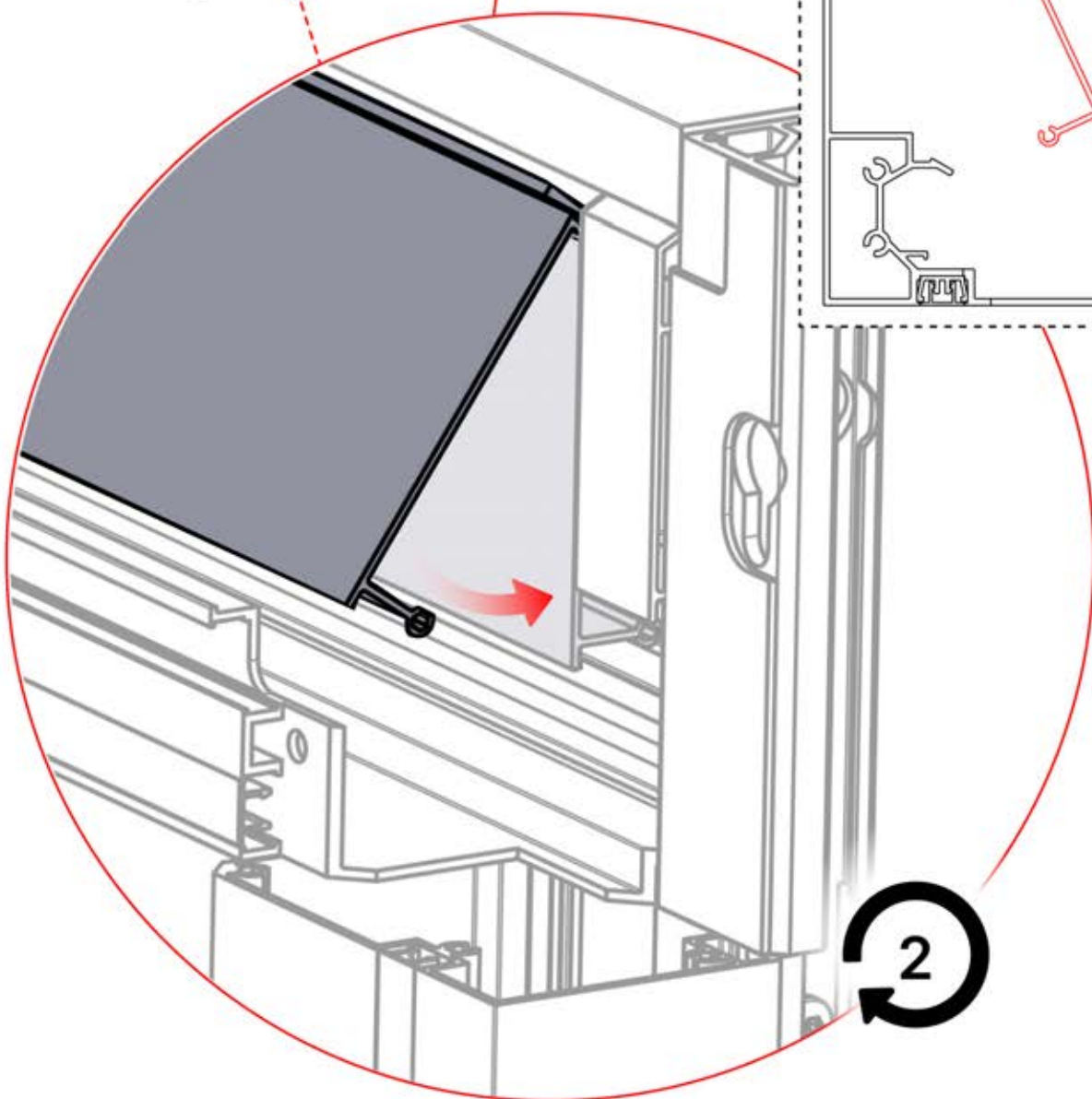
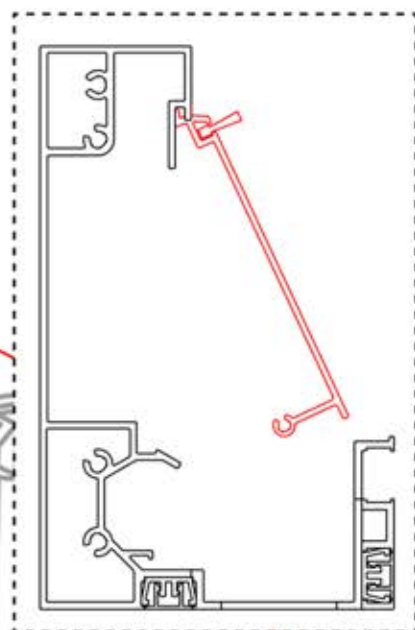
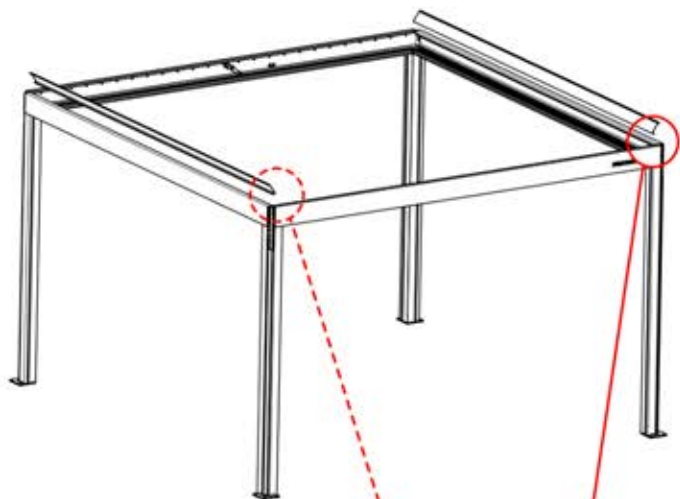
x1
PERGOLUX

5

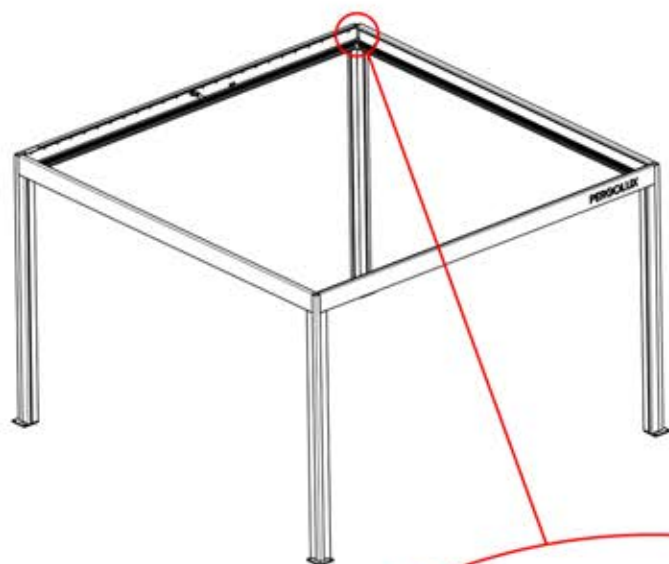
ANTHRACITE: B256
WHITE: B260
BLACK: B258



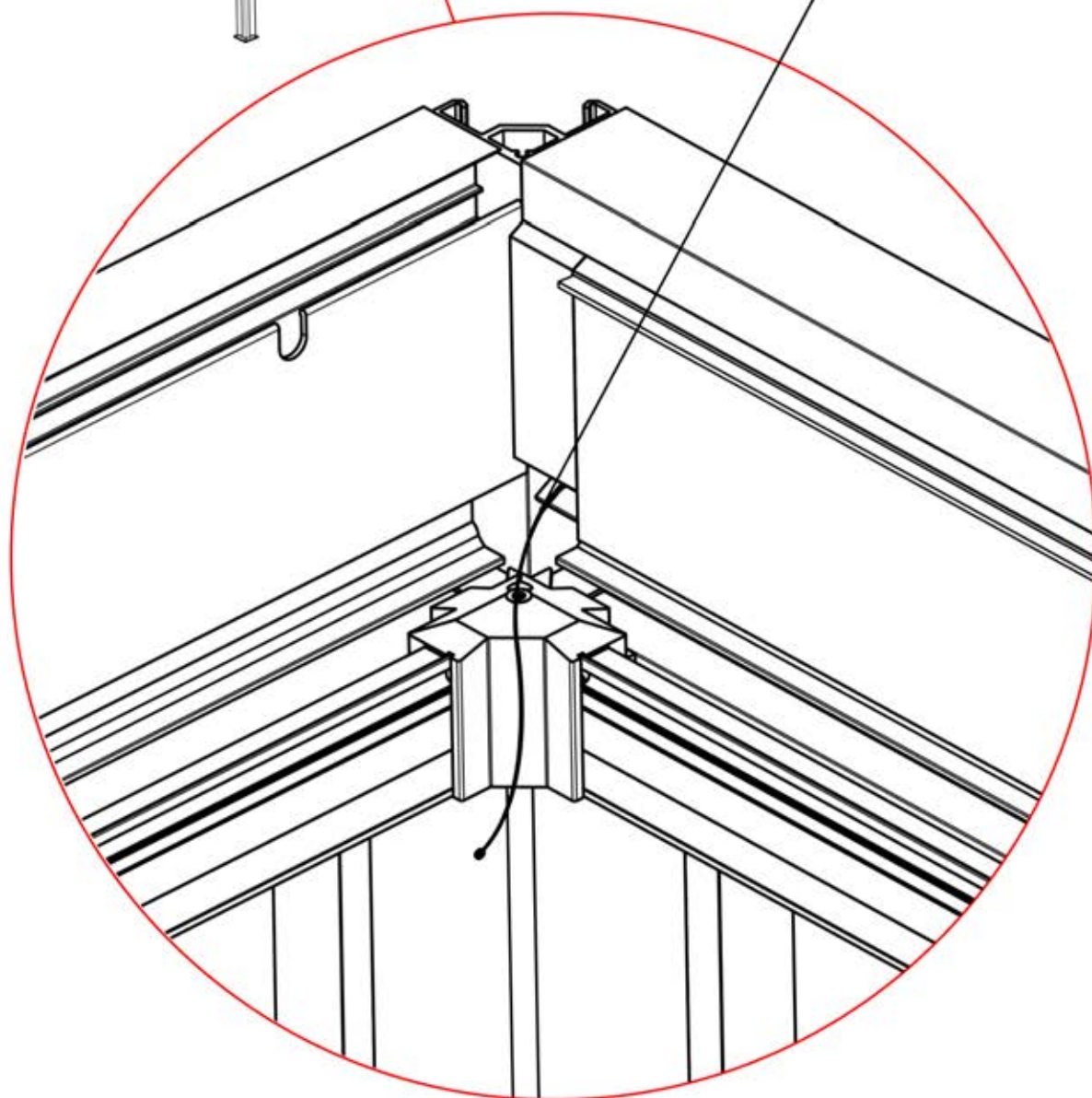
PN-200003554
2x



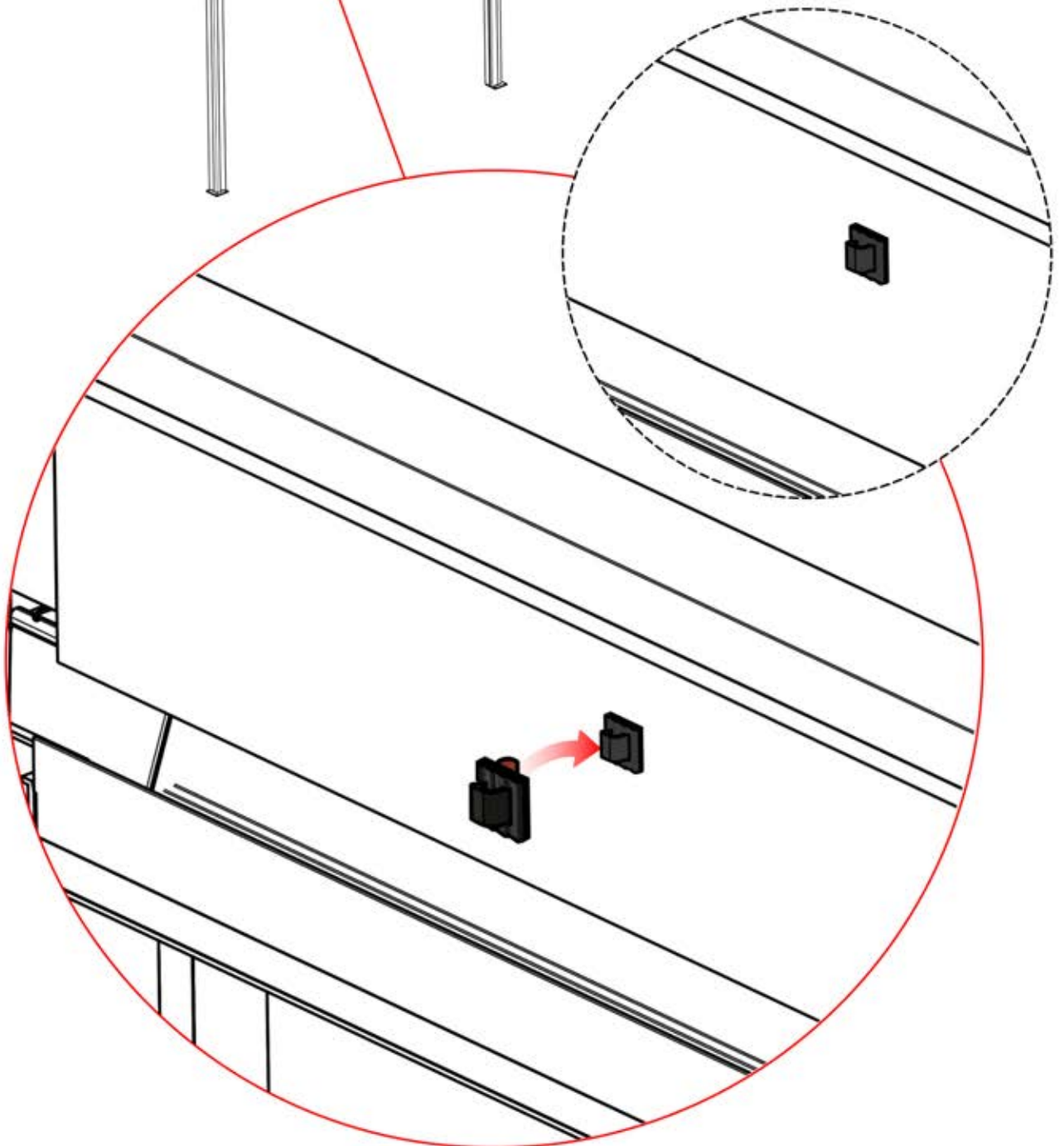
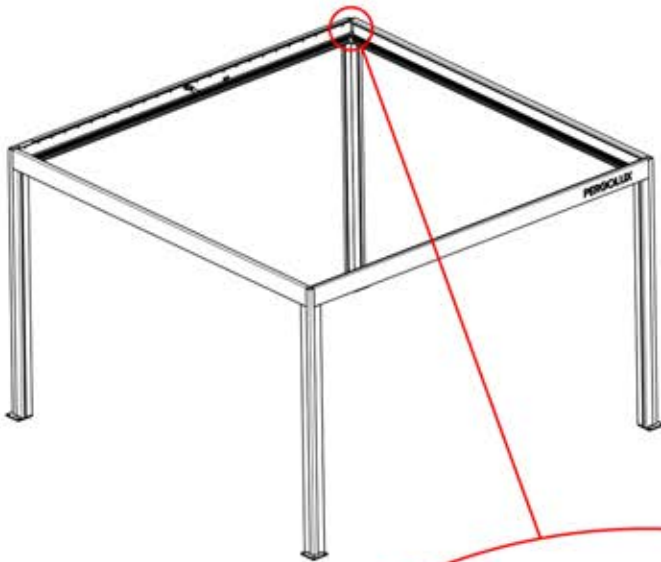
INFORMATION



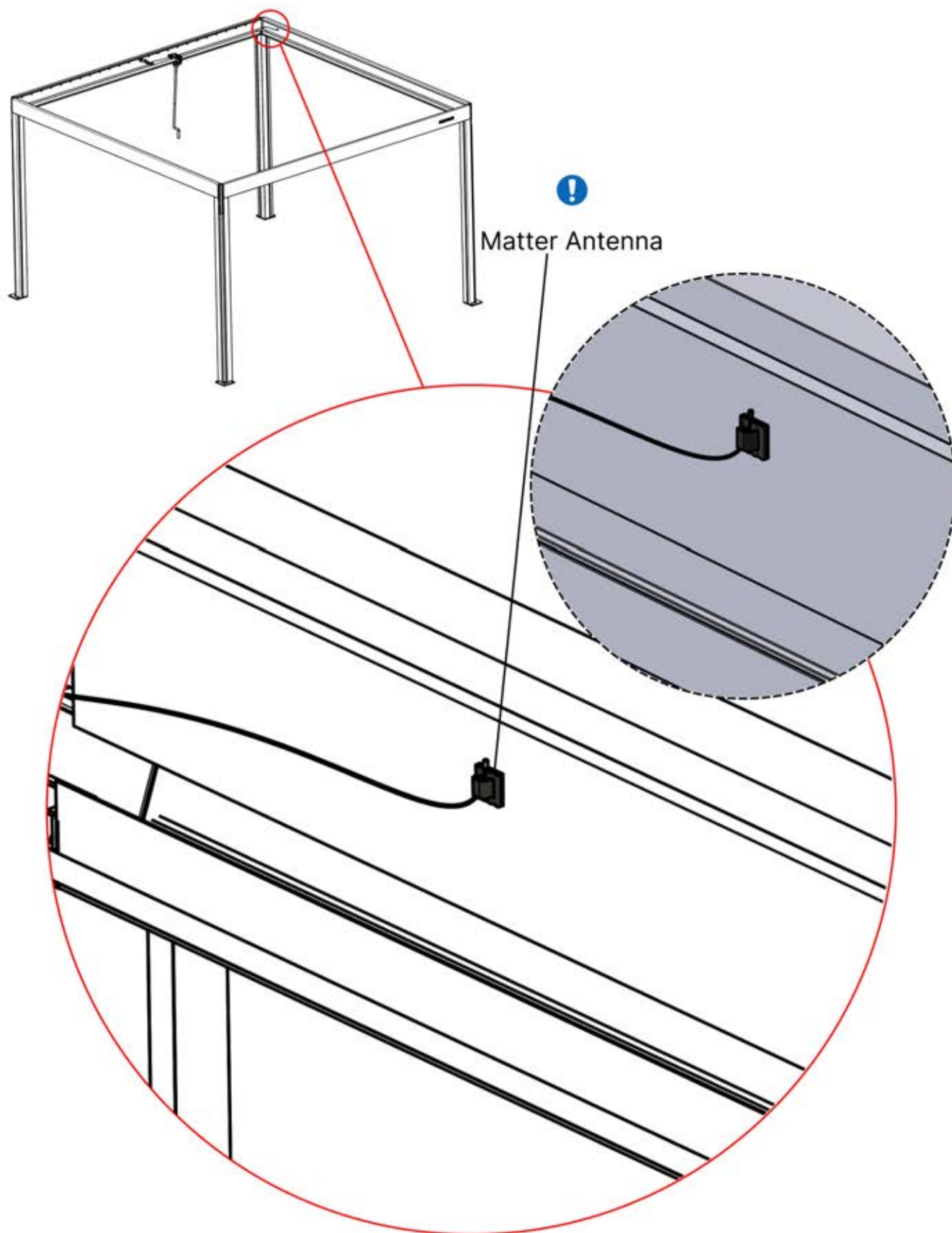
Matter Antenna



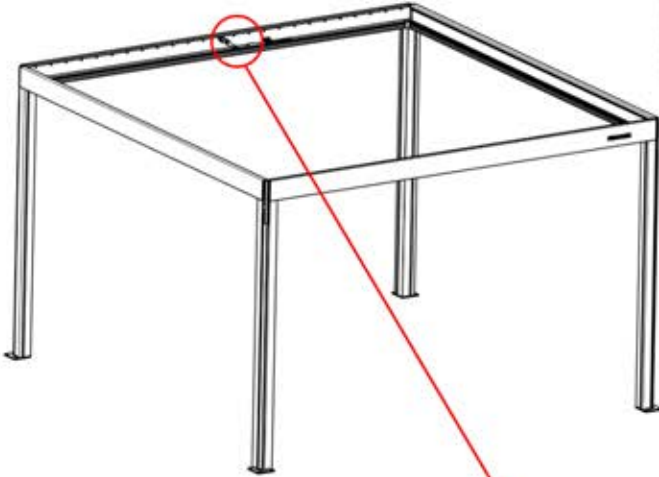
31



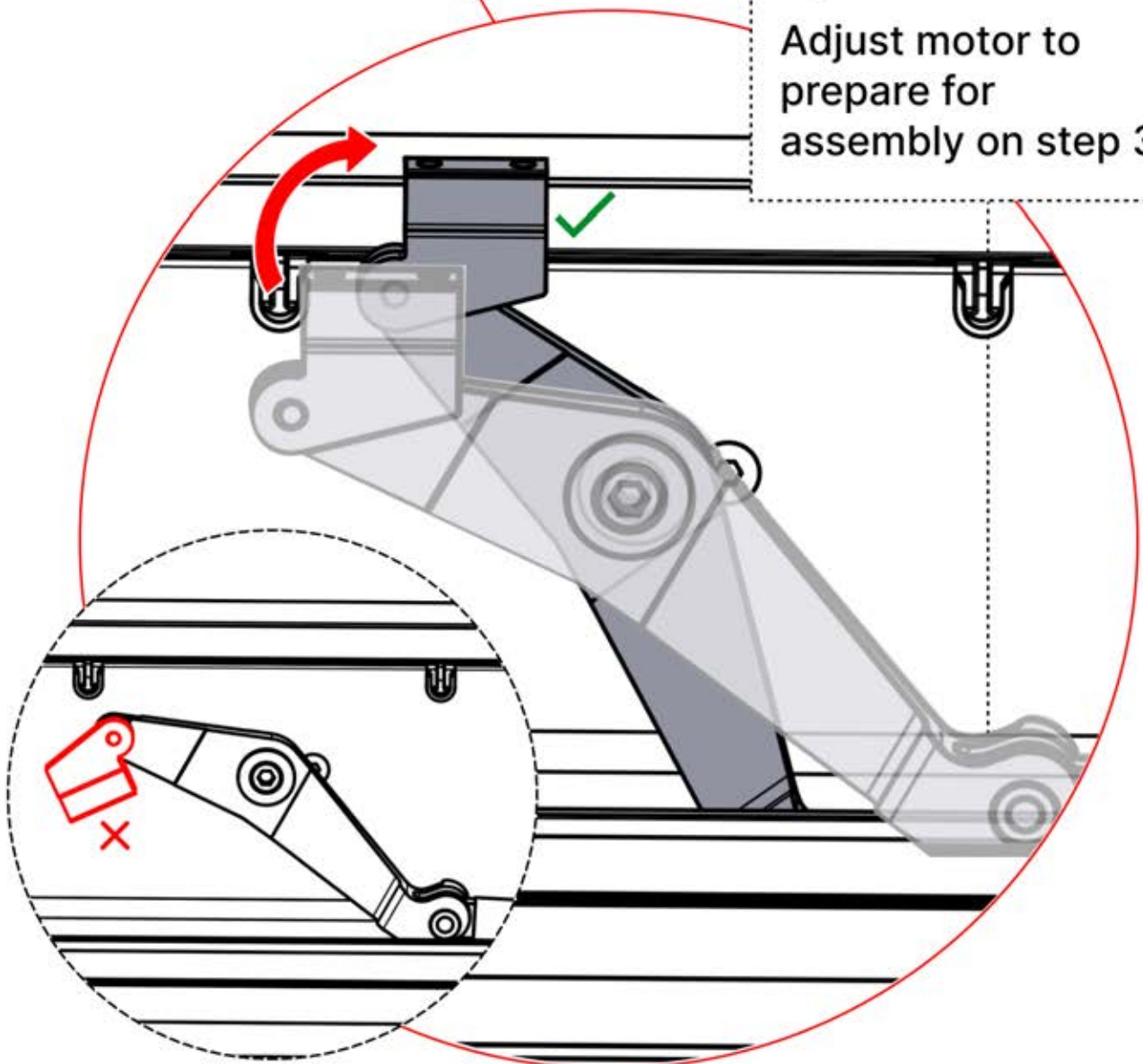
32



33



 Adjust motor to prepare for assembly on step 34

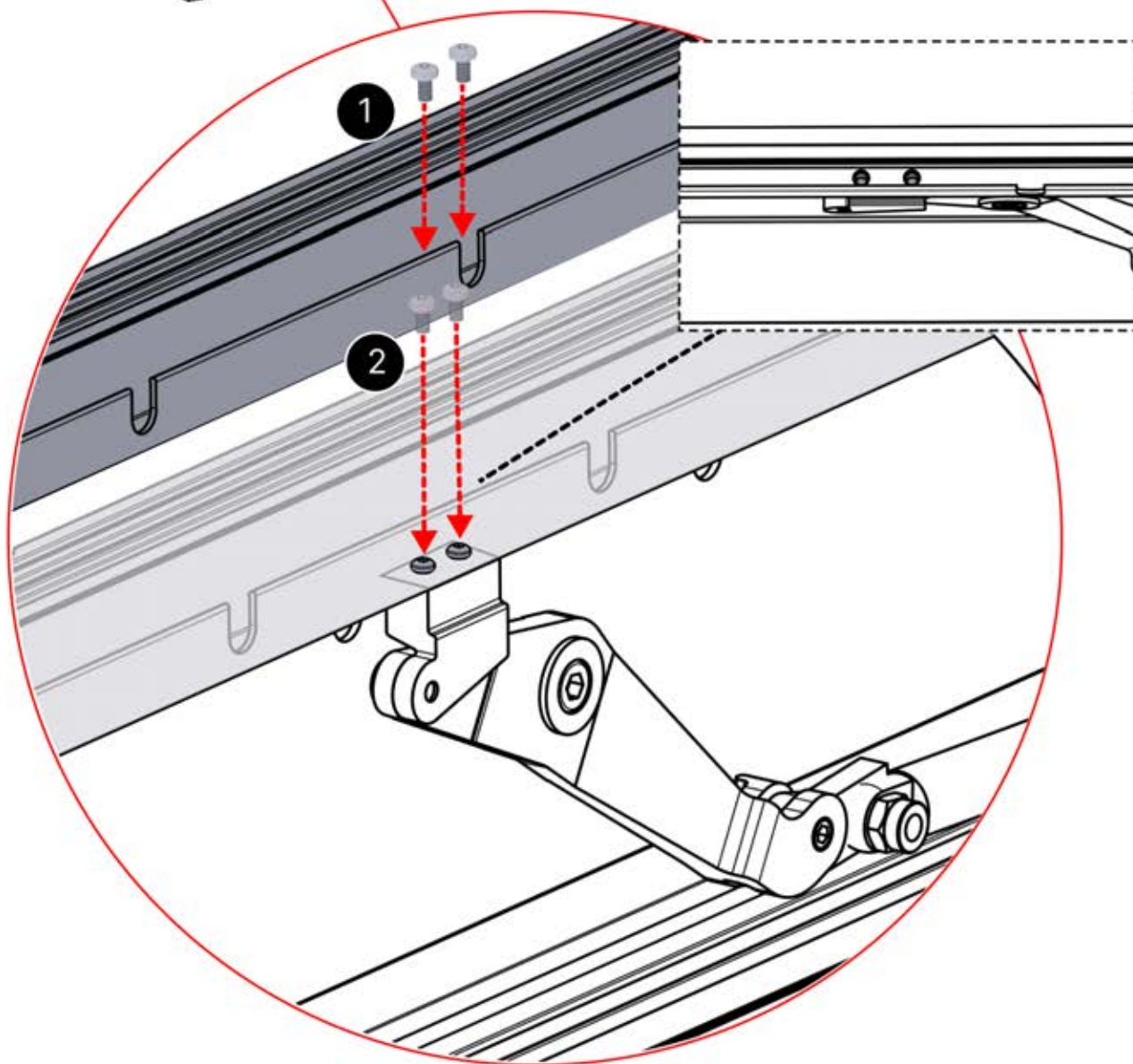
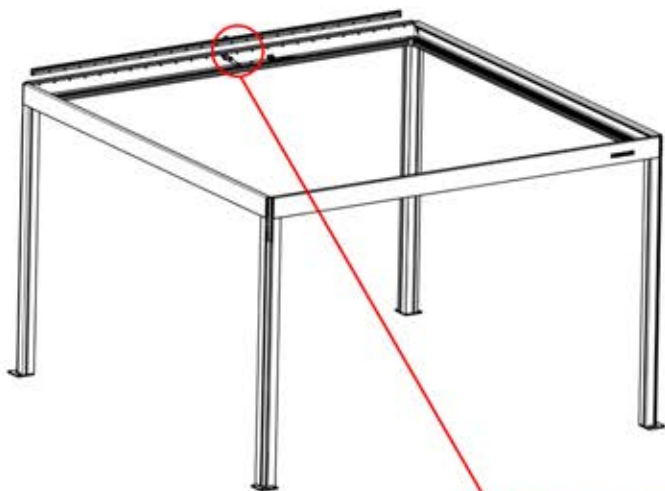


34

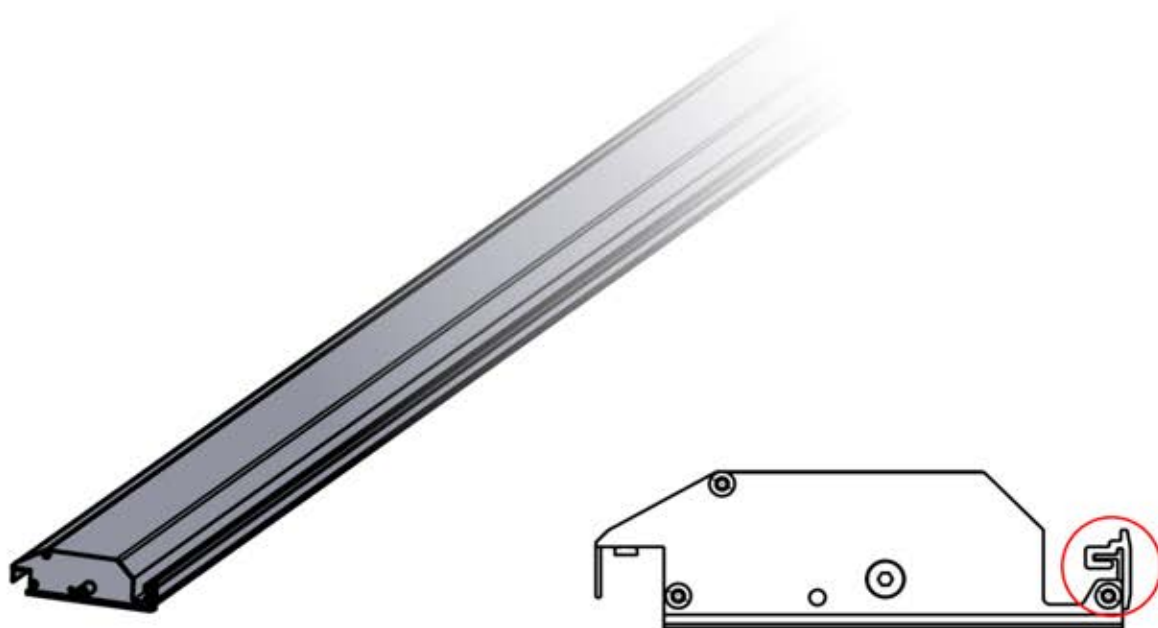



4

ANTHRACITE: B232
WHITE: B240
BLACK: B236



ITEMS IN BOX



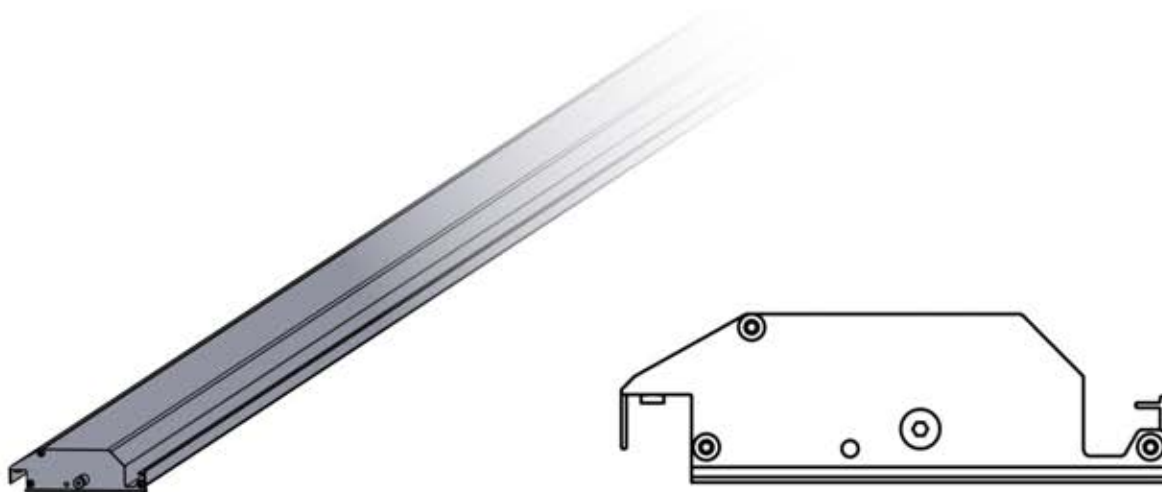


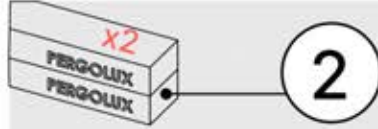
ANTHRACITE: L227
WHITE: L231
BLACK: L229

PLR 150 G2 PRO LOUVER END FS 4M
PACKAGE

PN-200002645

1x





ANTHRACITE: L215
WHITE: L219
BLACK: L217

PLR 150 G2 PRO LOUVER STD FS 4M
PACKAGE

PN-200002629

18x

Standard

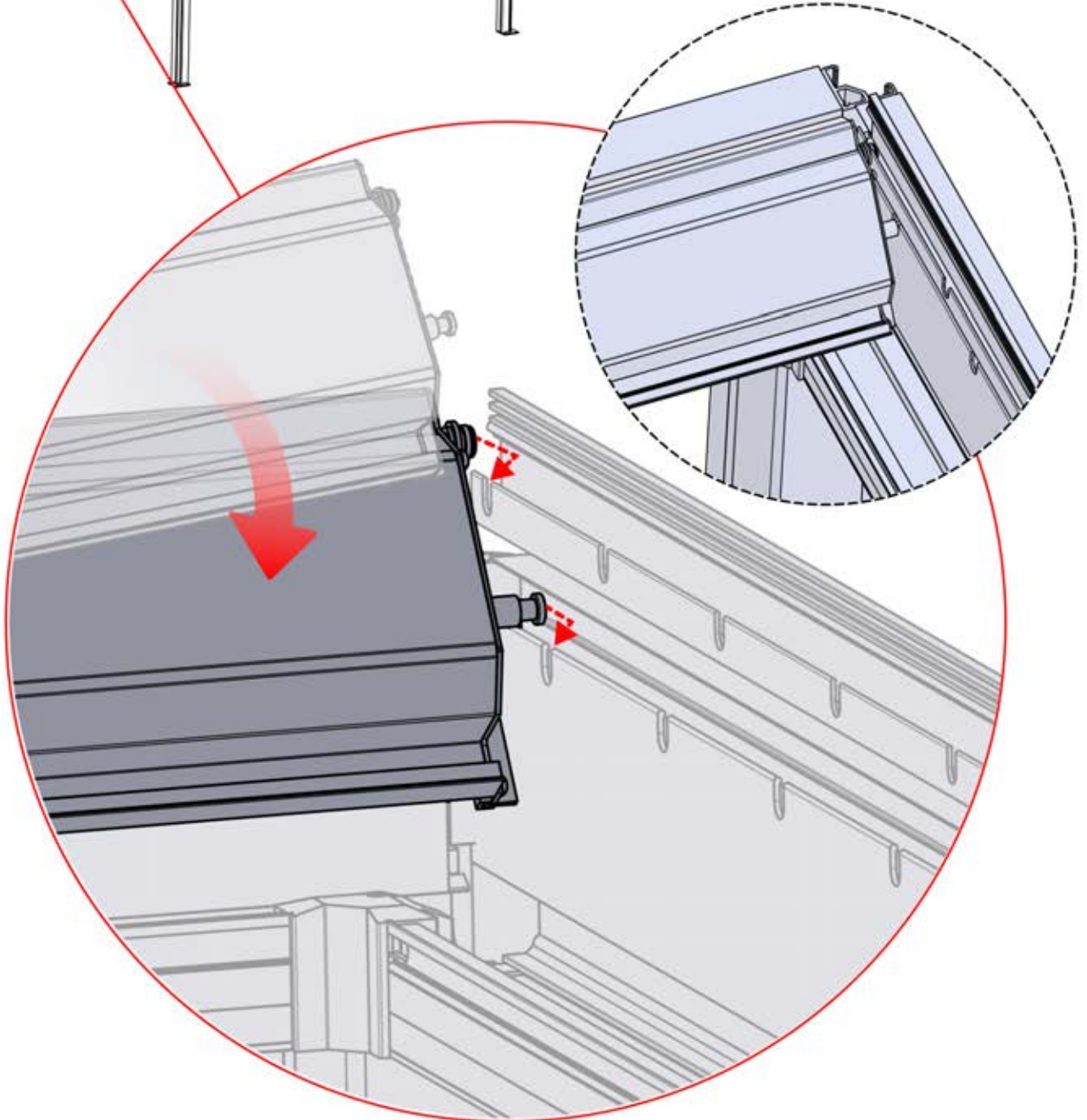
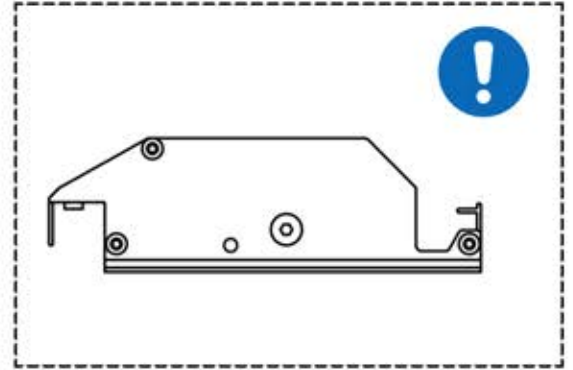
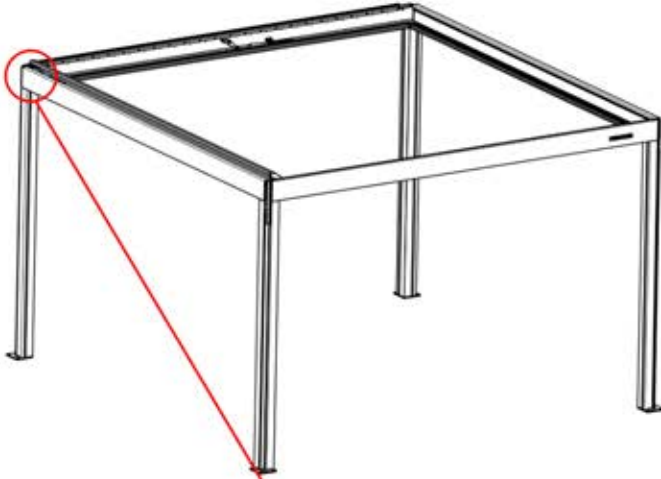

35

x2
PERGOLUX
PERGOLUX

2

ANTHRACITE: L215
WHITE: L219
BLACK: L217

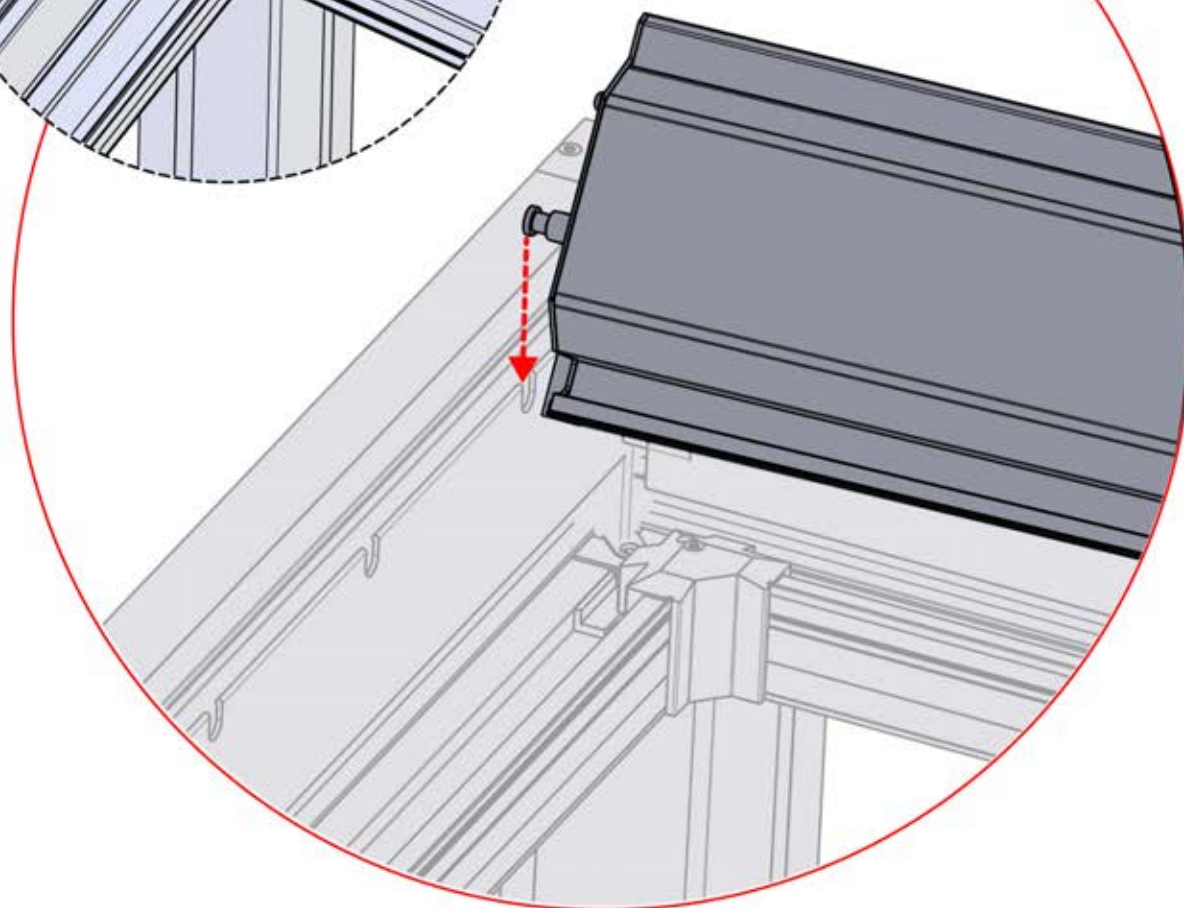
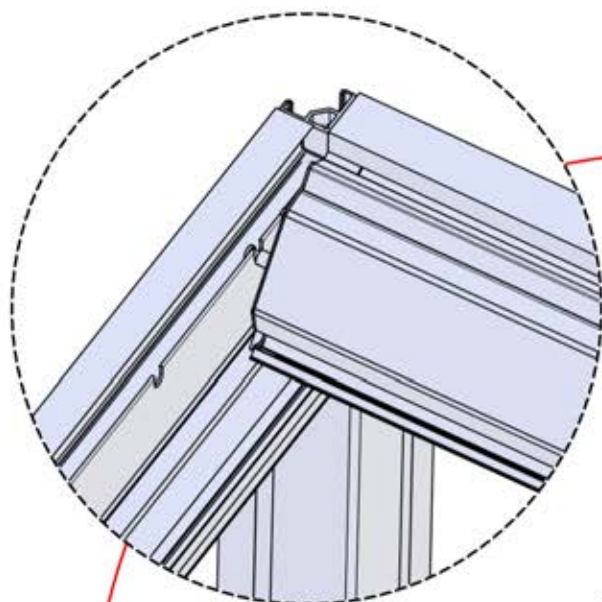
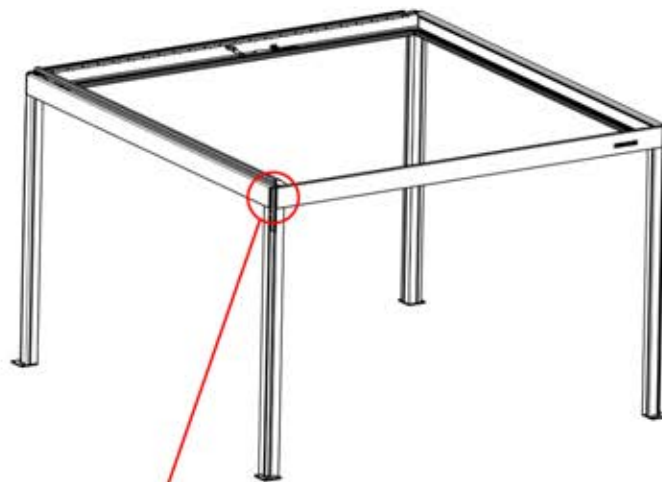
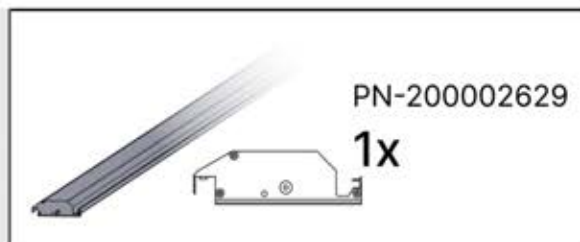
PN-200002629
1x



36



ANTHRACITE: L215
WHITE: L219
BLACK: L217



37

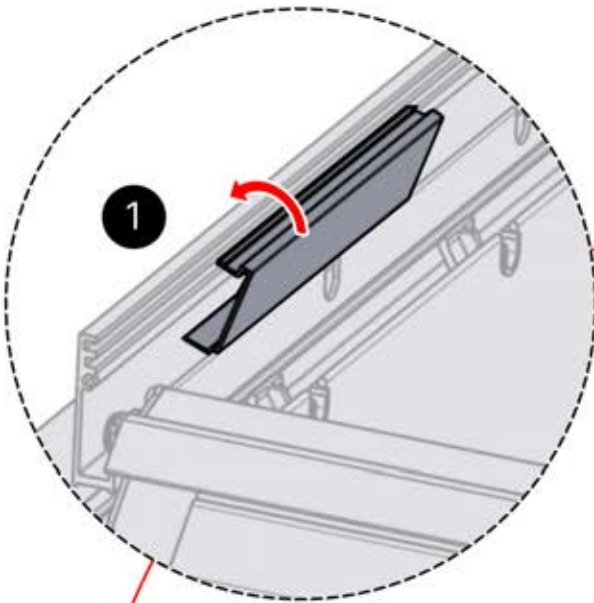
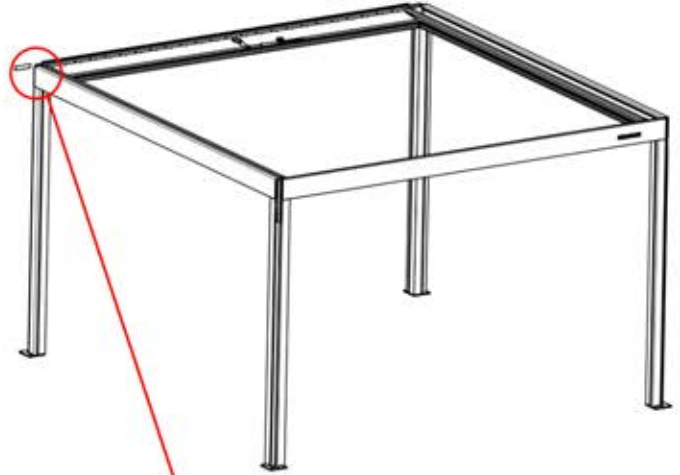


4

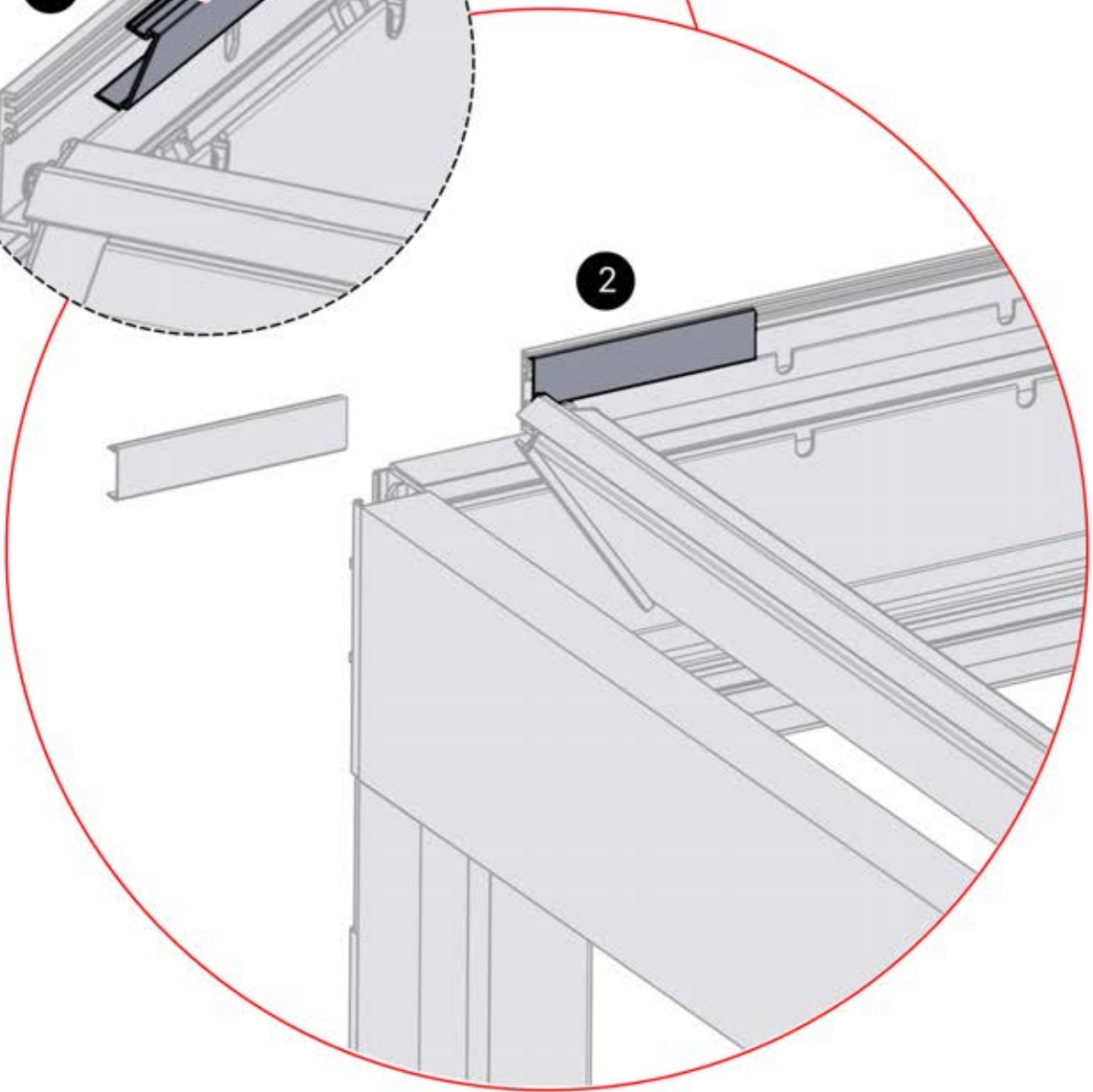
ANTHRACITE: B232
WHITE: B240
BLACK: B236



PN-200003033
1X



1



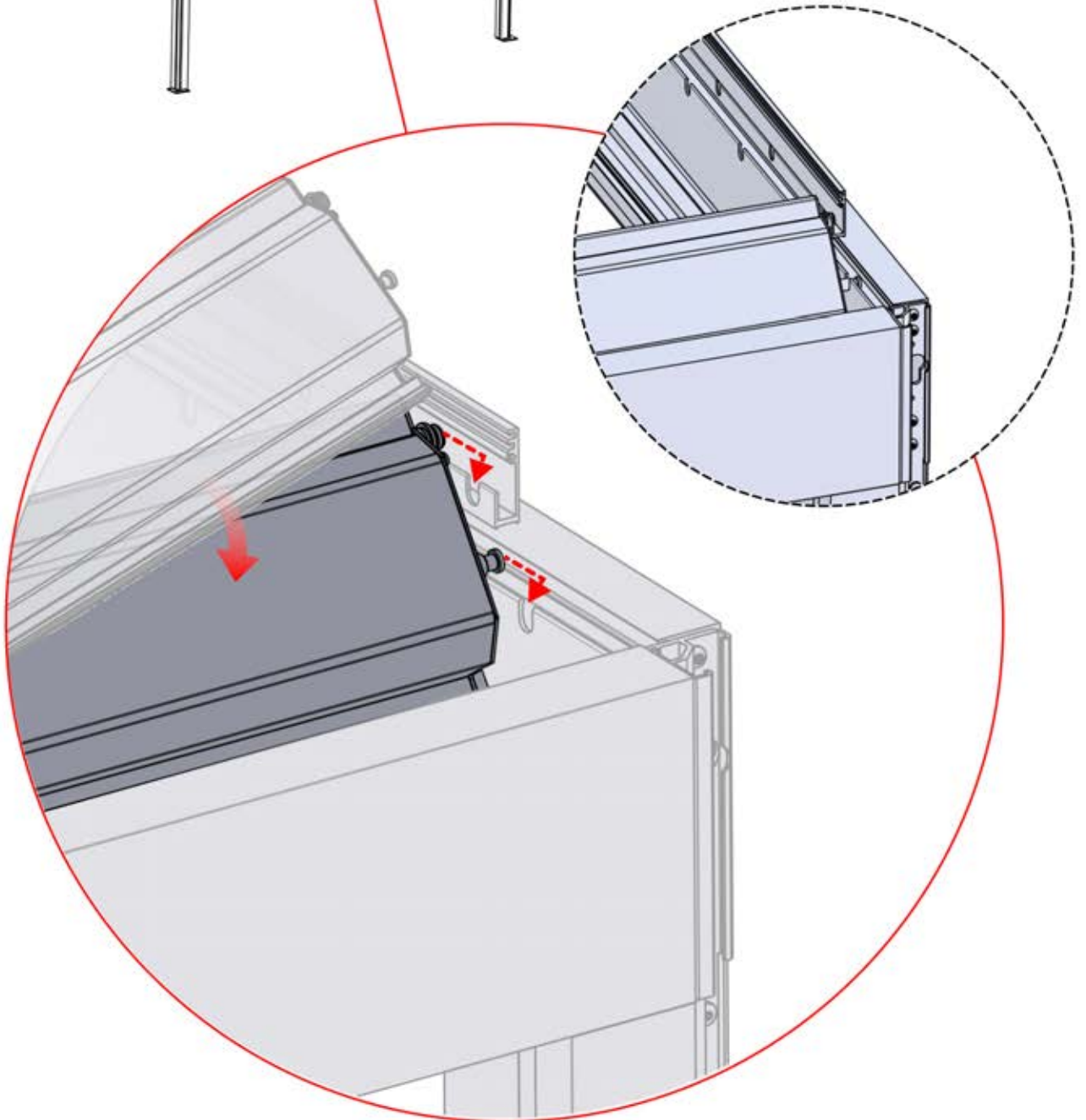
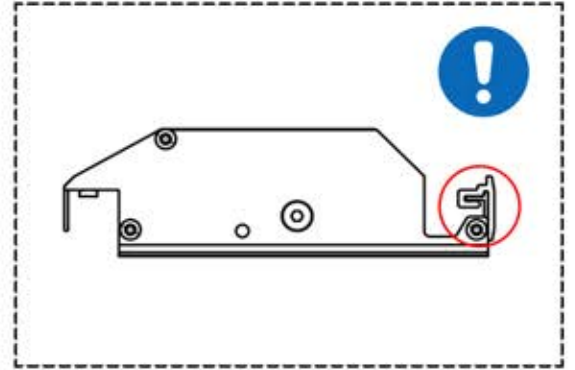
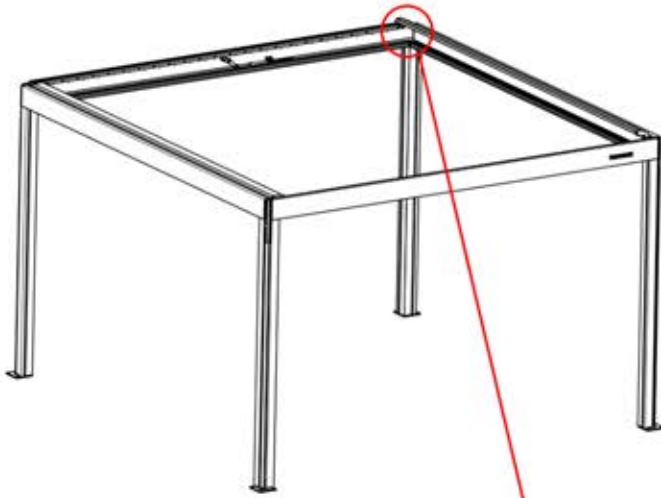
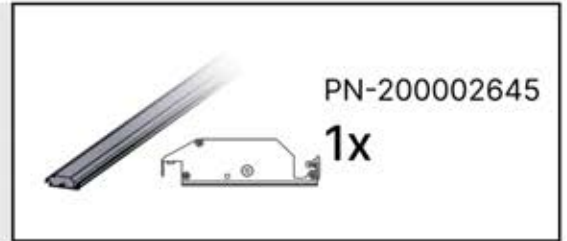
2

38




3


ANTHRACITE: L227
WHITE: L231
BLACK: L229

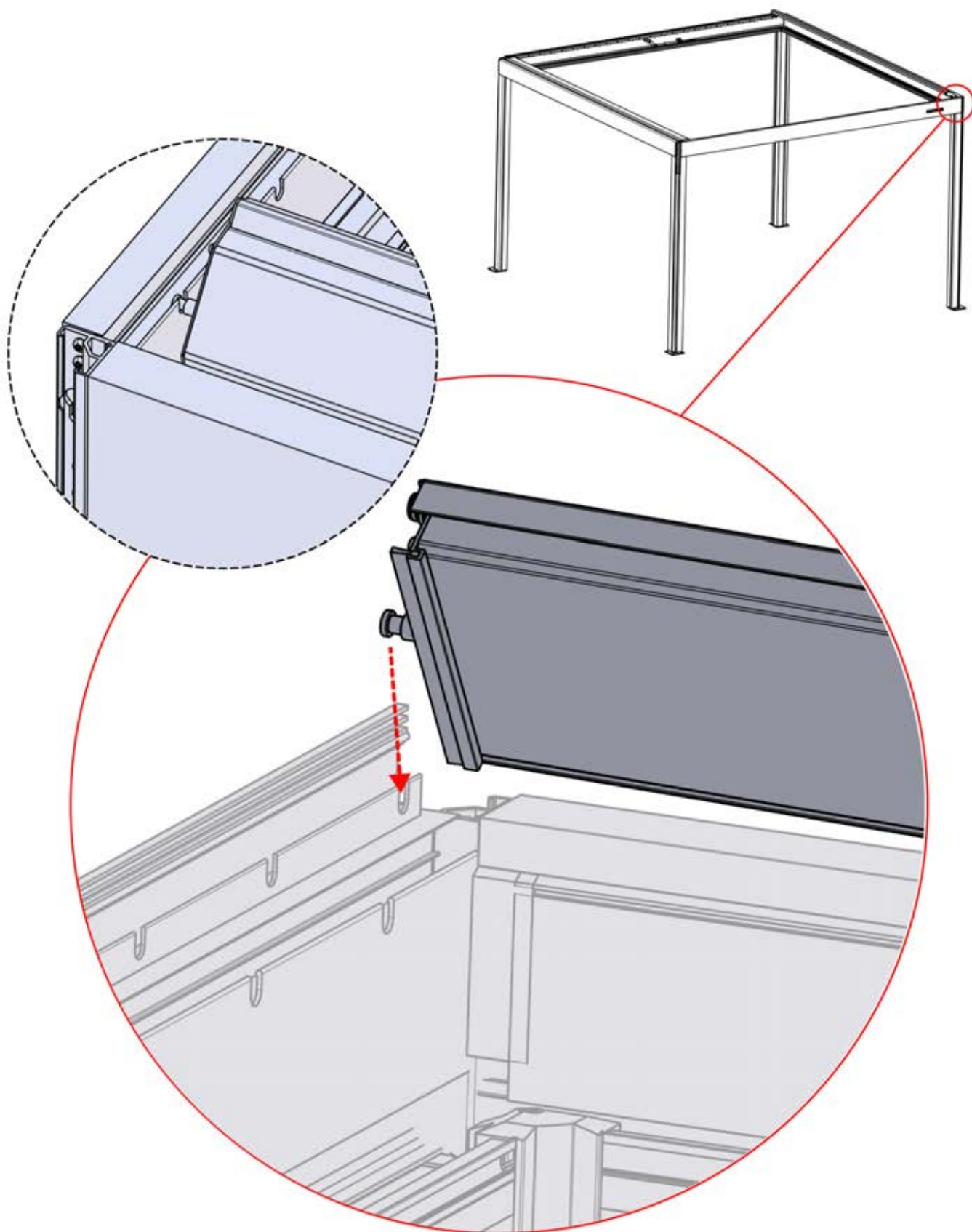


39

 **3**

ANTHRACITE:	L227
WHITE:	L231
BLACK:	L229

 PN-200002645
1x

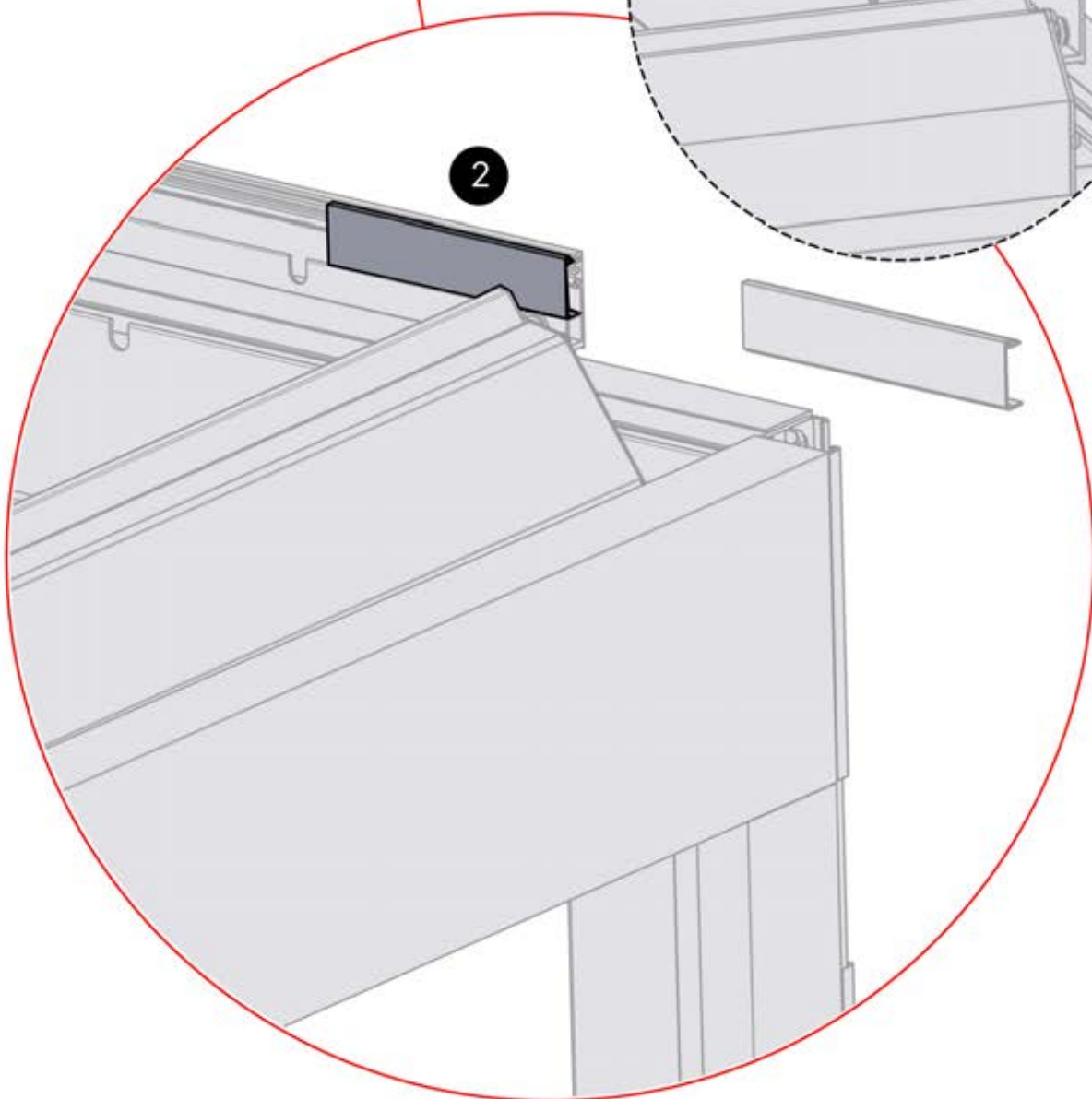
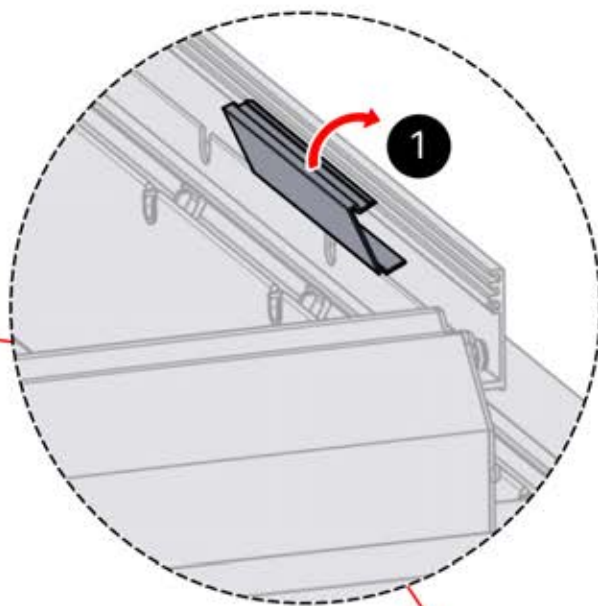
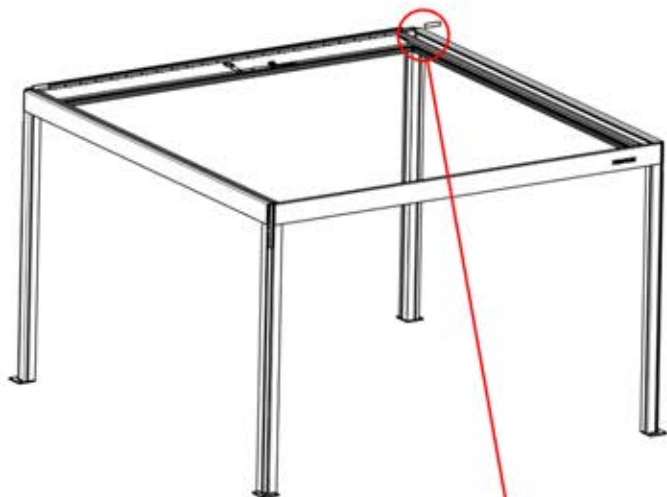
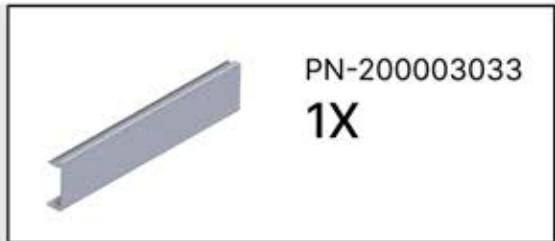


40

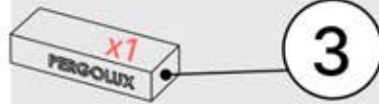


4

ANTHRACITE: B232
WHITE: B240
BLACK: B236



41



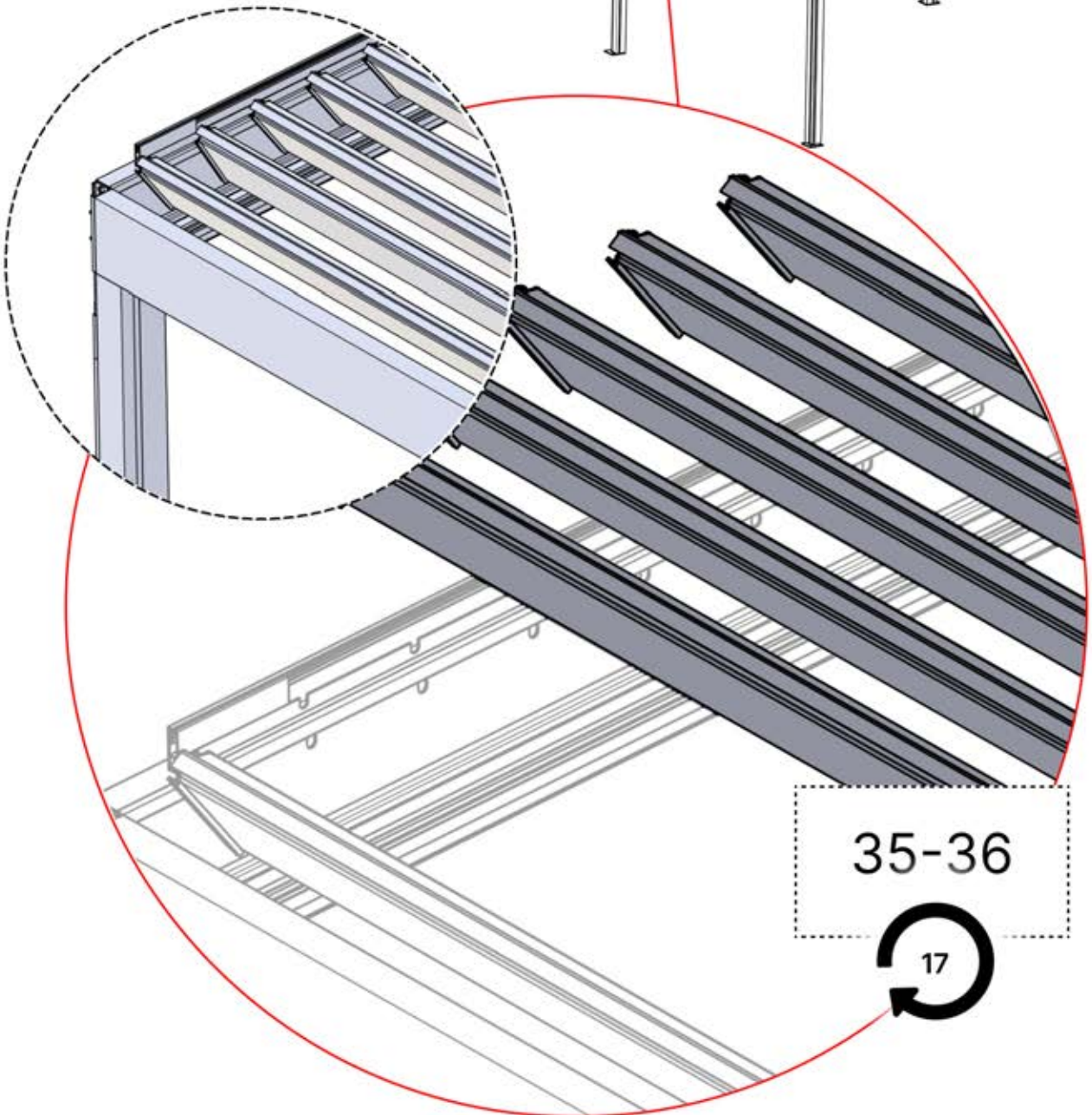
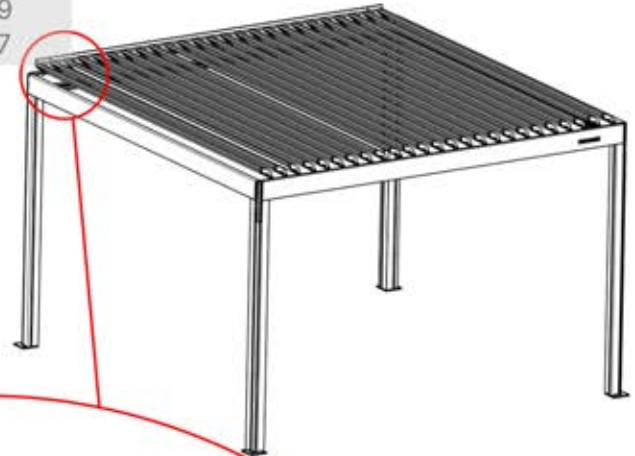
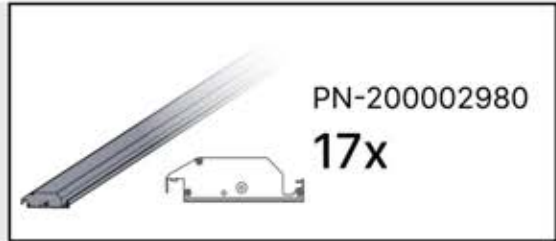
3

ANTHRACITE: L227
WHITE: L231
BLACK: L229



2


ANTHRACITE: L215
WHITE: L219
BLACK: L217




35-36

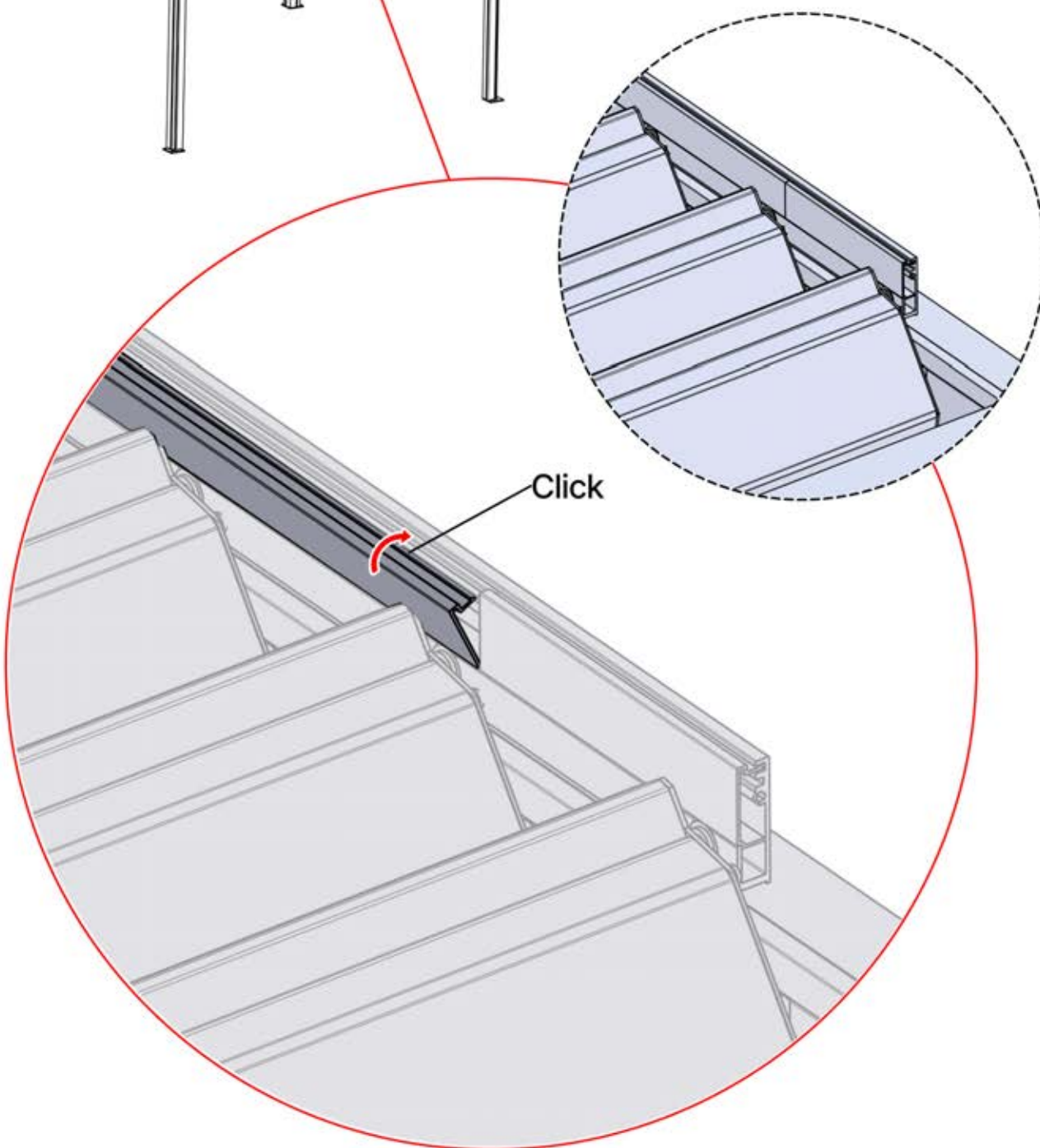
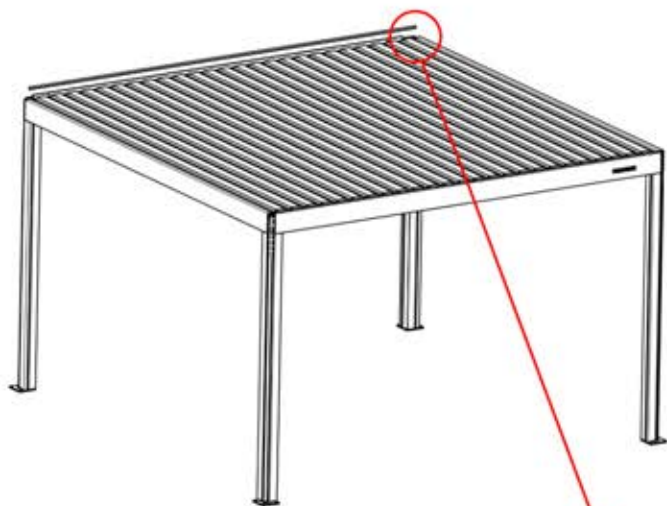
17

42

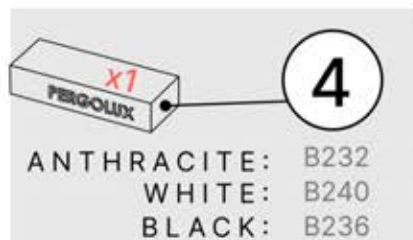
 **4**


ANTHRACITE: B232
WHITE: B240
BLACK: B236


 PN-200003383
1x




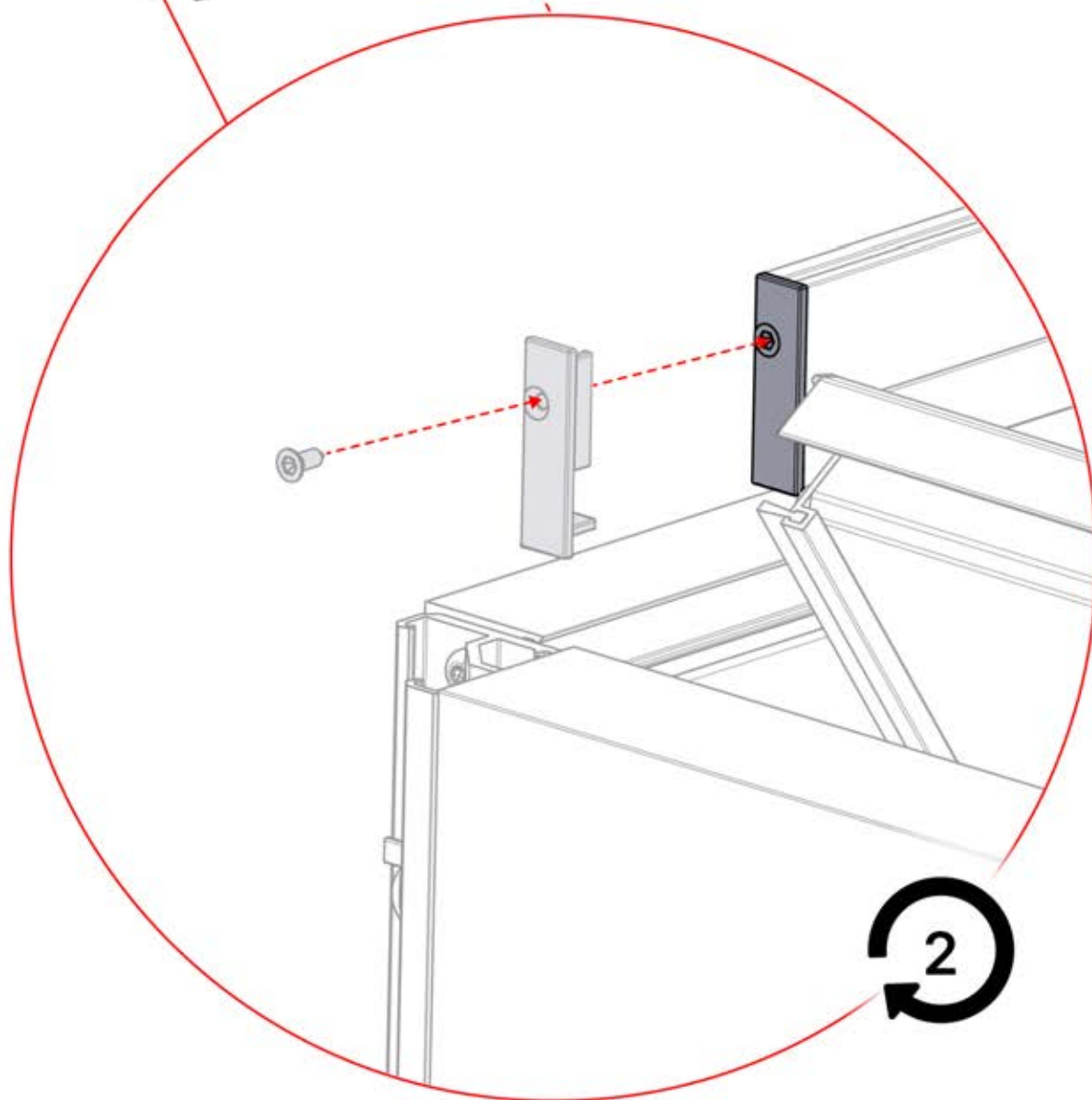
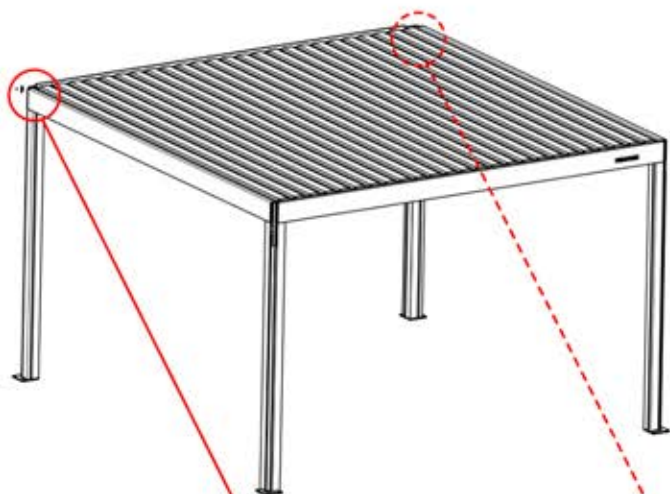
43

 **4**
ANTHRACITE: B232
WHITE: B240
BLACK: B236

 PN-200003030
1x

 PN-200003031
1x

 4.2x12
PN-200001207
1x

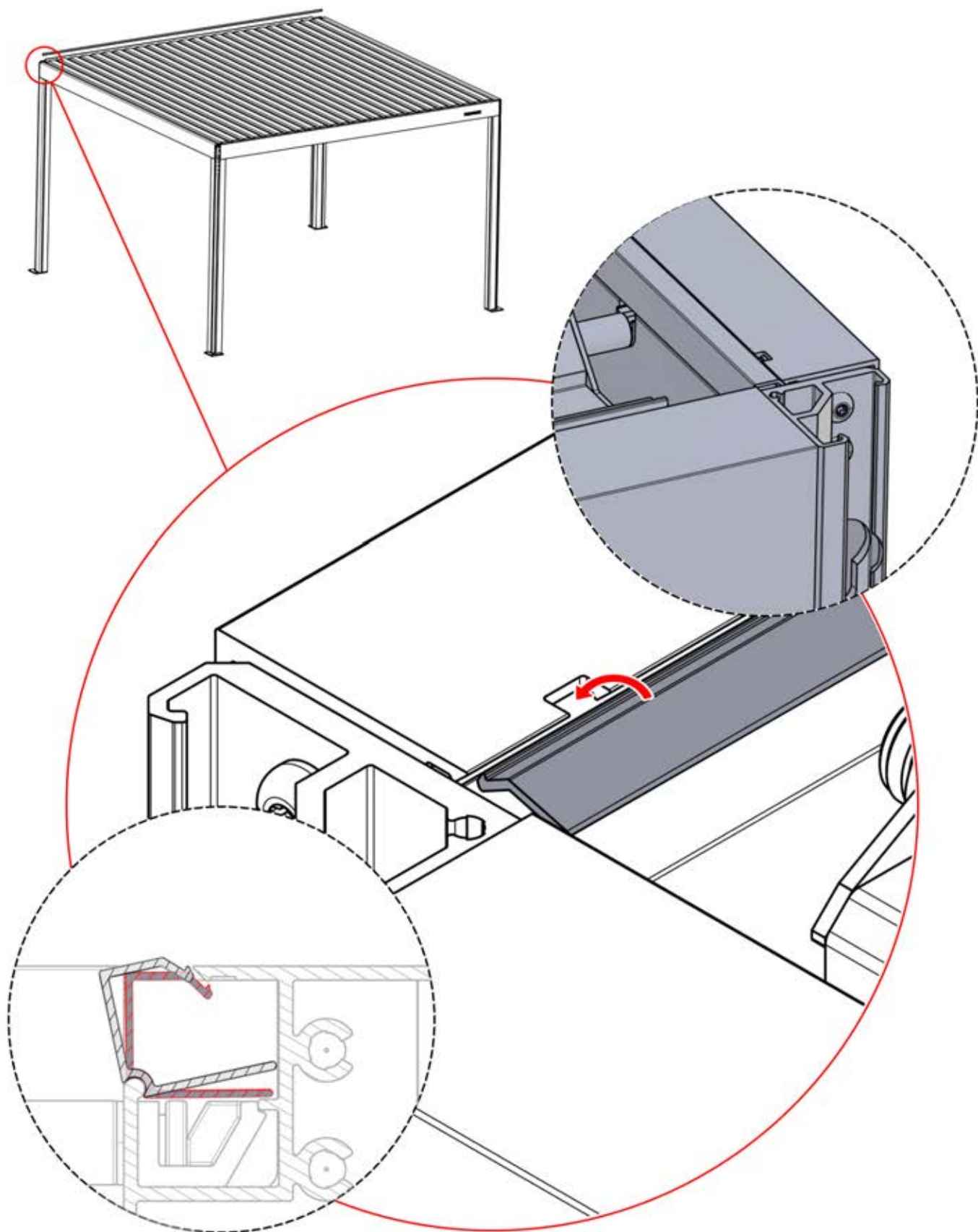
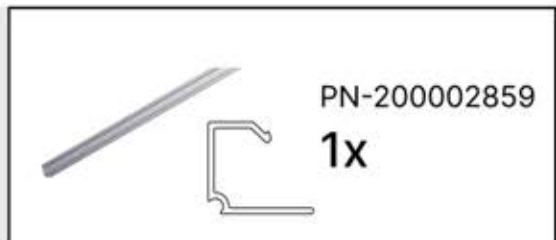


44



4

ANTHRACITE: B232
WHITE: B240
BLACK: B236

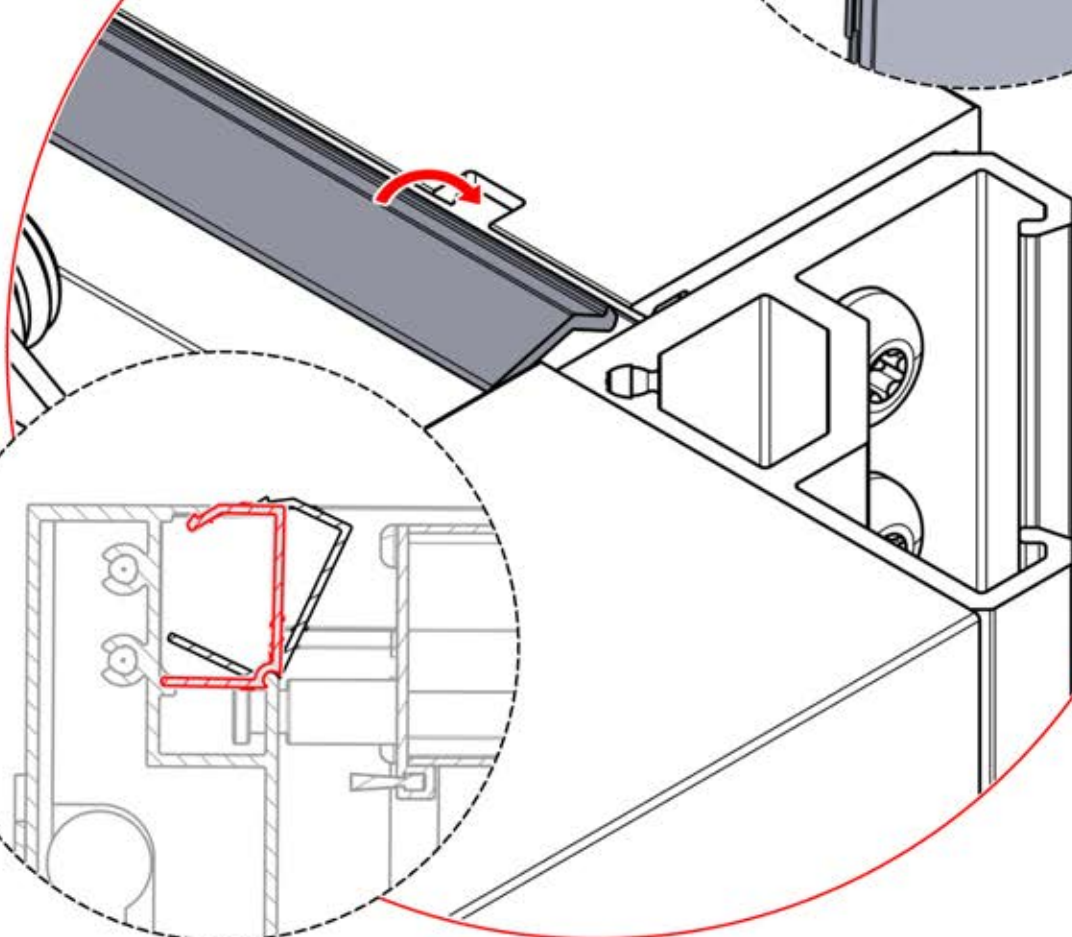
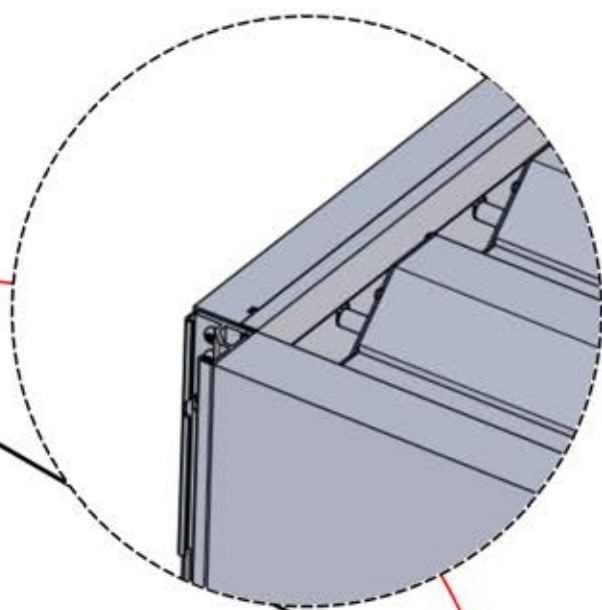
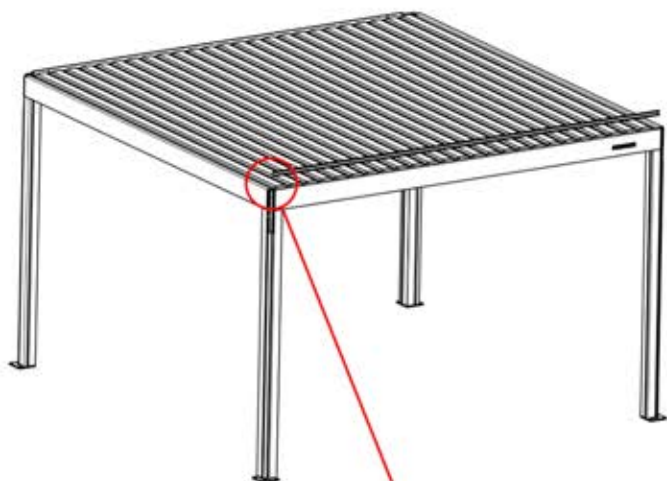
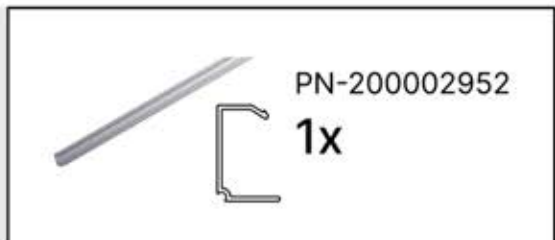


45



4

ANTHRACITE: B232
WHITE: B240
BLACK: B236



46


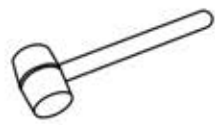

x2
FERGOLUX
FERGOLUX

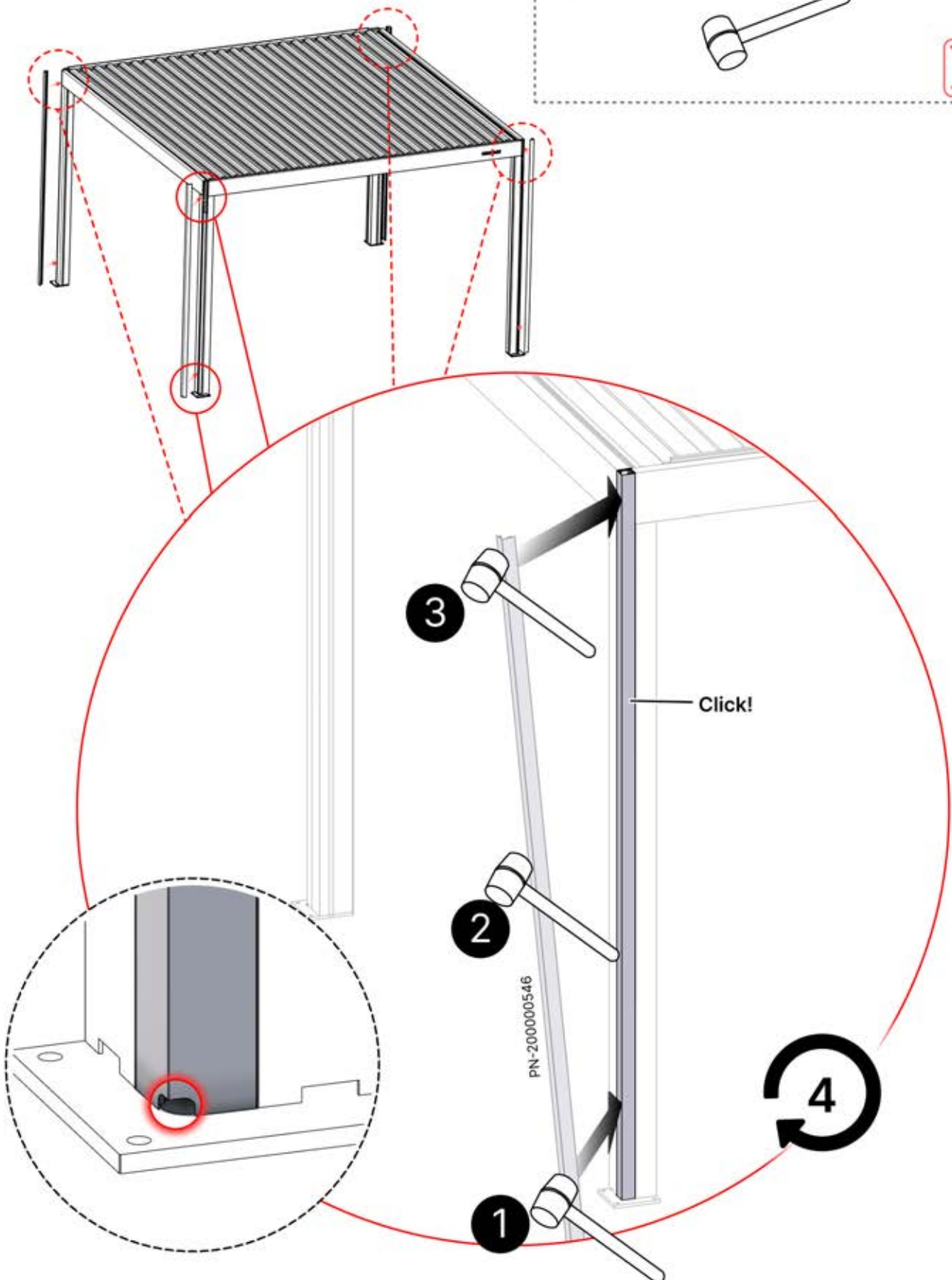
4

ANTHRACITE: B232
WHITE: B240
BLACK: B236

PN-200003386
2X



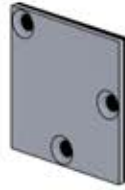


47



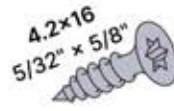
4

ANTHRACITE: B232
WHITE: B240
BLACK: B236



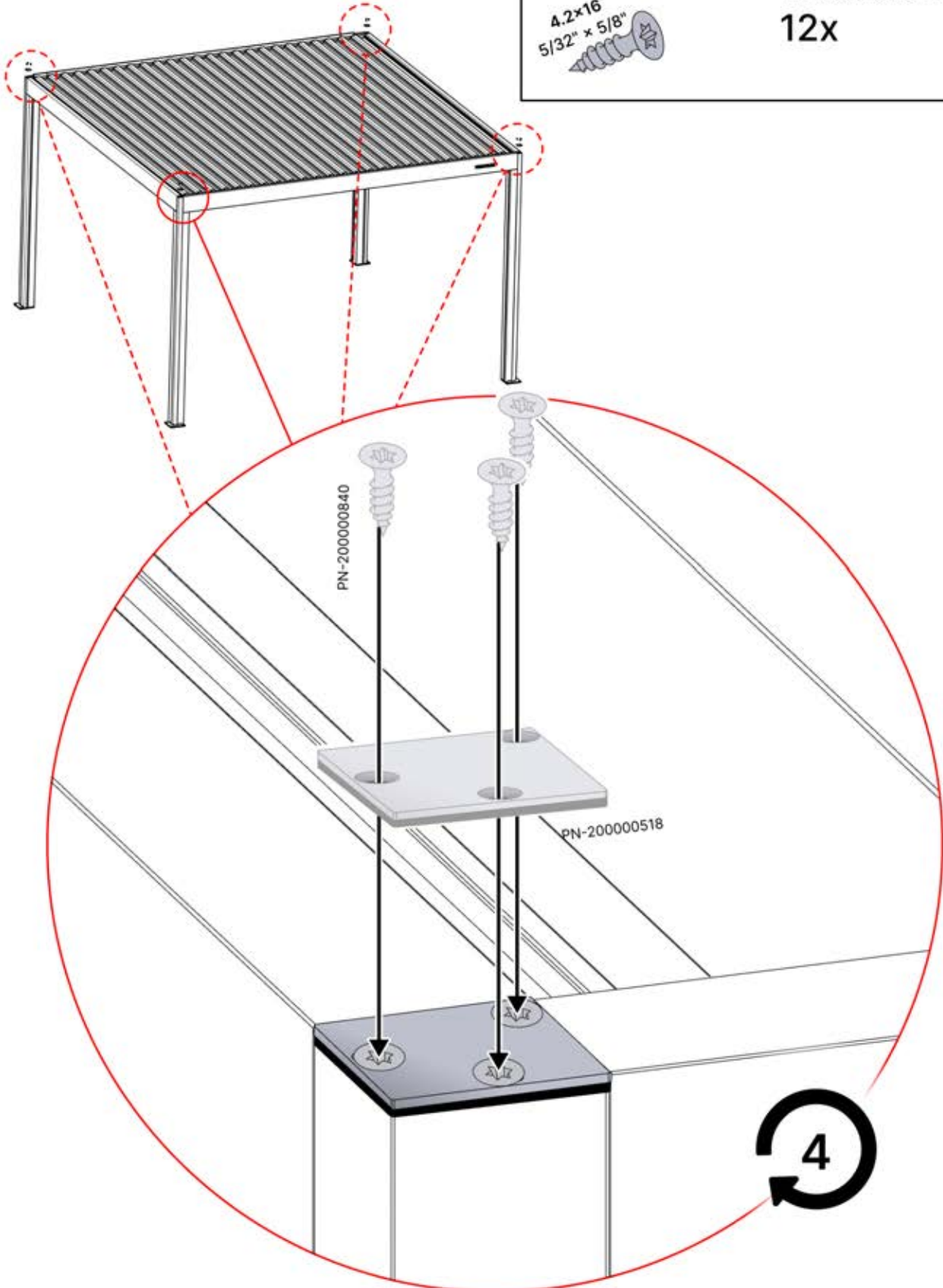
PN-200001514

4x

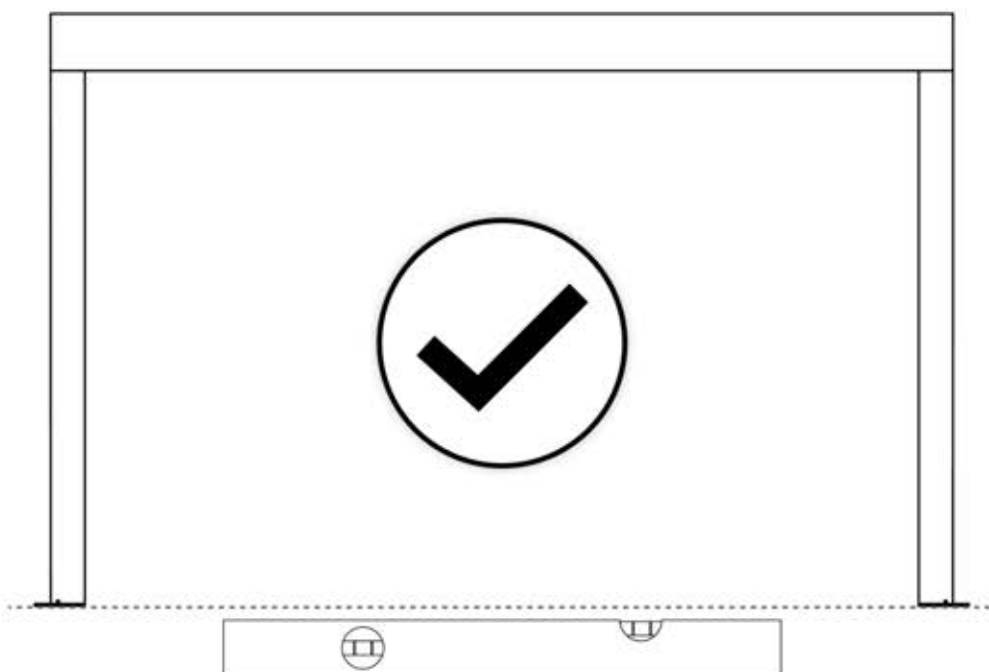
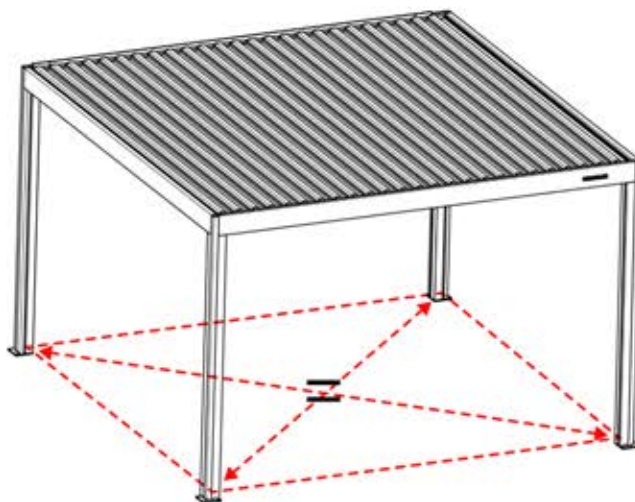
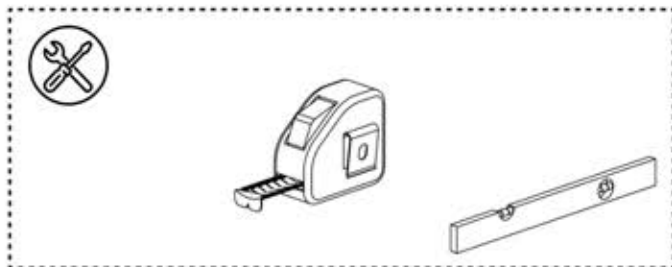


PN-200000840

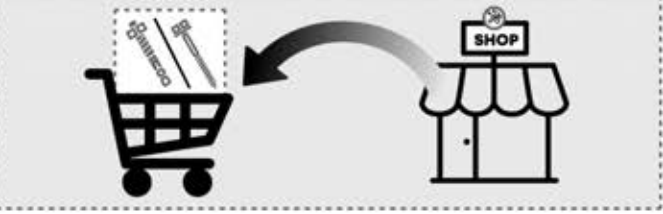
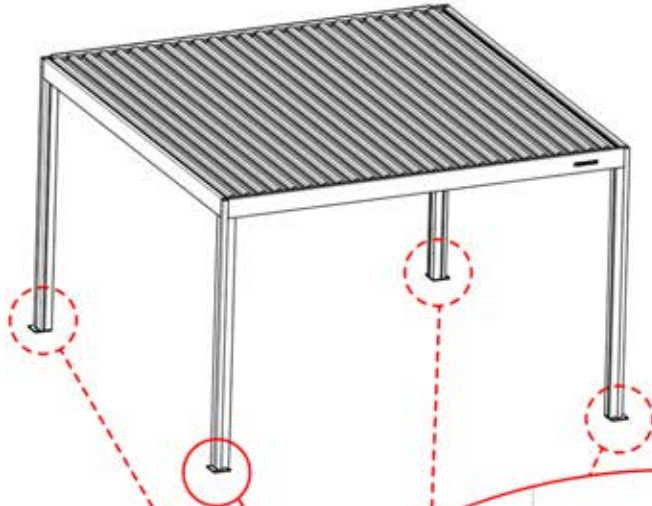
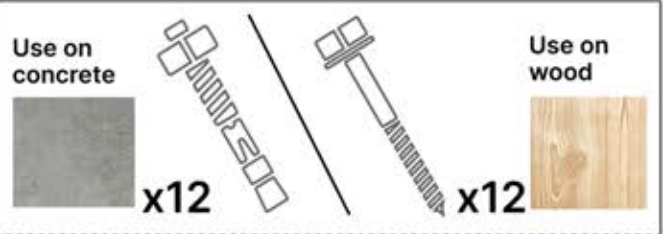
12x



48



49



A circular icon with a clockwise arrow and the number "4" in the center, indicating the fourth step of the assembly process.

PERGOLUX | PERGOLA PRO FREESTANDING S4

3 X 3 M / 10' X 10'



Type Approved
Regular
Production
Surveillance
www.tuv.com
ID 1111293124