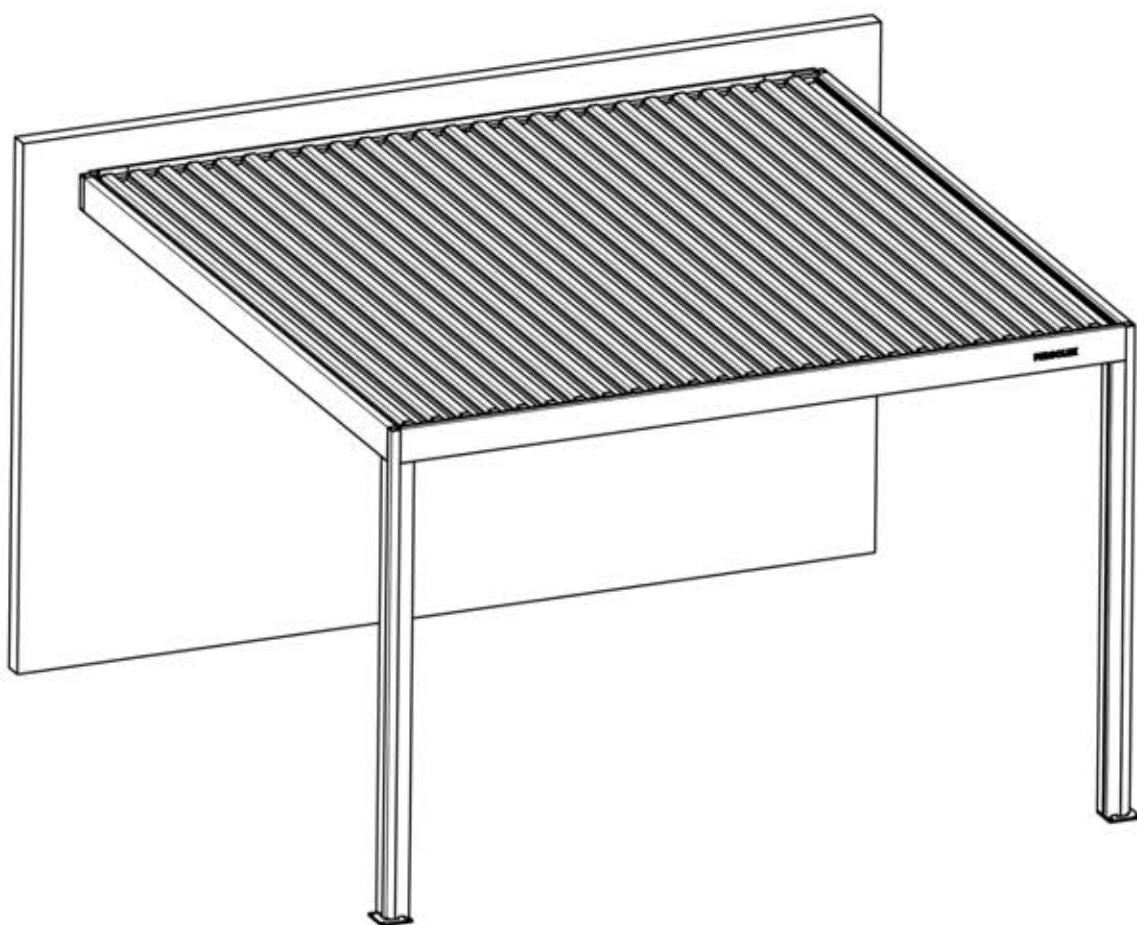


S4

CUSTOM DESIGN



WALL MOUNTED

PERGOLUX



Designed and
developed
in Norway



Type Approved
Regular
Production
Surveillance

www.tuv.com
ID 1111293124

INFORMATION



INSTALLATION INSTRUCTIONS:

Ensure all parts are present and undamaged before starting the assembly.

Secure to a solid foundation with the correct fasteners for your foundation.

(If applicable) Install motors and wiring as shown. Ensure the electrical components are powered off during installation.

Use the correct lifting and installation equipment.

SAFETY WARNINGS:

Keep children and pets away during installation.

Do not operate the structure if parts are loose or improperly installed.

Ensure the structure is securely anchored to prevent accidents.

Do not insert fingers or any objects between the louvres.

MAINTENANCE:

Regularly clean the aluminum structure to maintain its appearance and prevent the accumulation of dirt.

Also, make sure to clean the gutters regularly. Inspect moving parts for wear and lubricate as necessary.

Check anchor points periodically to ensure stability.



INSTALLATIONSANLEITUNG:

Stellen Sie sicher, dass alle Teile vorhanden und unbeschädigt sind, bevor Sie mit der Montage beginnen.

Befestigen Sie sie mit den richtigen Befestigungselementen für Ihr Fundament auf einem soliden Fundament.

(Falls zutreffend) Installieren Sie Motoren und Verkabelung wie gezeigt. Stellen Sie sicher, dass die elektrischen Teile während der Installation ausgeschaltet sind.

Verwenden Sie die richtige Hebe- und Installationsausrüstung.

SICHERHEITSHINWEISE:

Halten Sie Kinder und Haustiere während der Installation fern.

Betreiben Sie die Struktur nicht, wenn Teile lose oder nicht richtig installiert sind.

Stellen Sie sicher, dass die Struktur sicher verankert ist, um Unfälle zu vermeiden.

Stecken Sie keine Finger oder andere Gegenstände zwischen die Lamellen.

WARTUNG:

Reinigen Sie die Aluminiumstruktur regelmäßig, um ihr Aussehen zu erhalten und die Ansammlung von Schmutz zu verhindern.

Reinigen Sie auch die Dachrinnen regelmäßig. Überprüfen Sie bewegliche Teile auf Verschleiß und schmieren Sie sie bei Bedarf.

Überprüfen Sie die Ankerpunkte regelmäßig, um die Stabilität sicherzustellen.



Pergolux GmbH, 9 Goethestraße,
36043 Fulda,
Germany

26

DOP-PRO-FSWM-S4

EN 13561:2015

Pergolux Pergola PRO S4

External use in buildings and other
construction works

Resistance to wind loads: Class6(EN13561)

SYMBOL EXPLANATION



Indicates the outside of the pergola structure.



This step may require extra force.



Indicates the inside of the pergola structure.



Key information to follow during installation.



Important! Be cautious when assembling or handling this part.



This item must be purchased separately.



Required tools for assembly.



Apply lubricant to make screw assembly easier.



Ensure grounding is connected before powering up.



Do not use a regular hammer, as it may cause damage.



Align slats according to sunlight direction for optimal shading.



AC Input



Repeat this step as many times as the number indicates



Motor



Turn around






























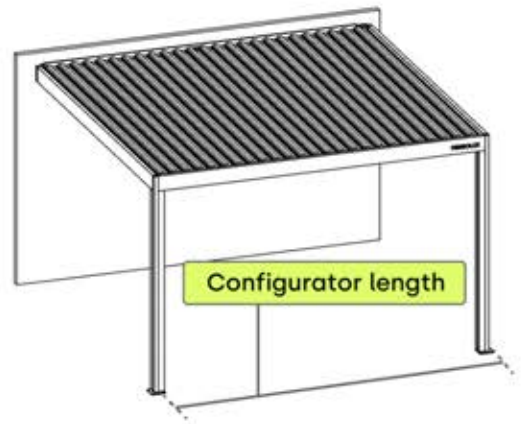
Variables





Repeat is variable

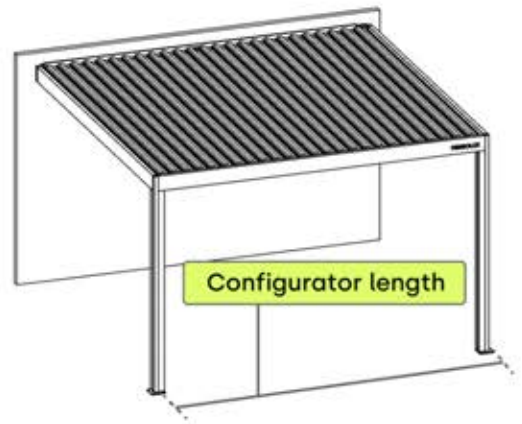
VARIABLES

Your Configurator length	Your variable
<1580	= x9 
<1730	= x10 
<1880	= x11 
<2030	= x12 
<2180	= x13 
<2330	= x14 
<2480	= x15 
<2630	= x16 
<2780	= x17 
<2930	= x18 
<3080	= x19 
<3230	= x20 
<3380	= x21 
<3530	= x22 
<3680	= x23 
<3830	= x24 
<3980	= x25 
<4130	= x26 
<4280	= x27 
<4430	= x28 
<4580	= x29 
<4730	= x30 
<4880	= x31 
<5060	= x32 
<5360	= x34 
<5660	= x36 
<5960	= x38 



VARIABLES WALL MOUNTED

Your Configurator length	Your variable
<3000	= x4 
<3900	= x5 
>3900	= x6 



Variables



PN-200000510



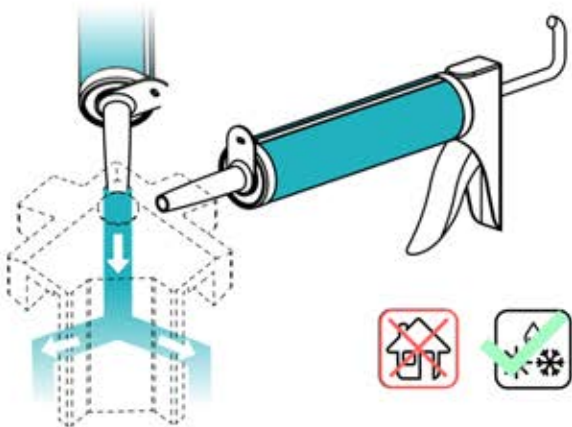
PN-200000669



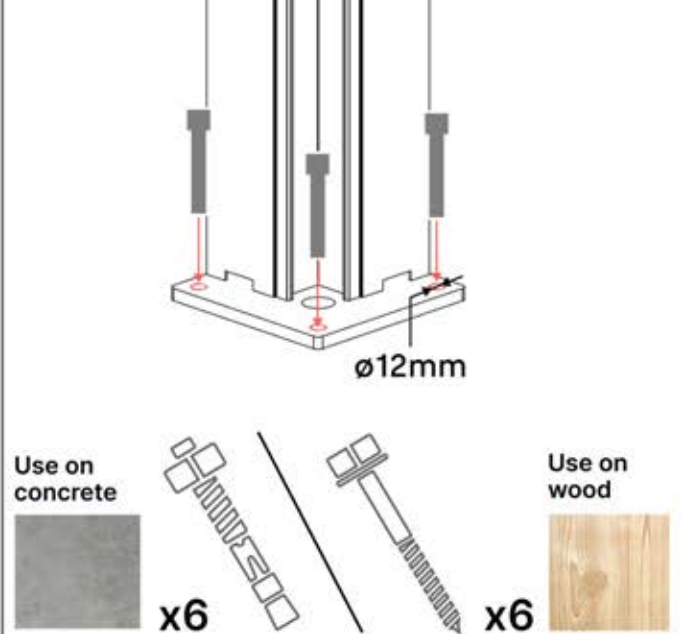
PN-200000655



INFORMATION



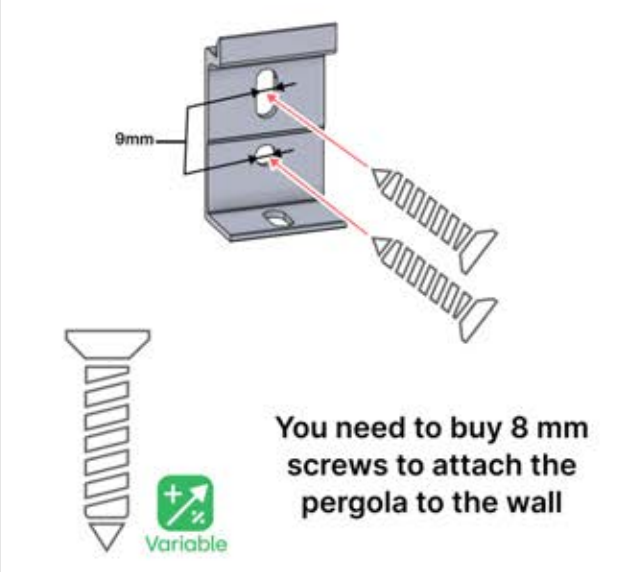
Use a high-quality, weather-resistant and mold-resistant adhesive and sealant to seal the corners of the pergola and prevent leakage. Look for products that are designed for outdoor use and provide a strong, long-lasting bond.



Use on concrete **x6** Use on wood **x6**

ø12mm

You need to buy 10 mm screws to attach the pergola to the ground



9mm

You need to buy 8 mm screws to attach the pergola to the wall

Variable

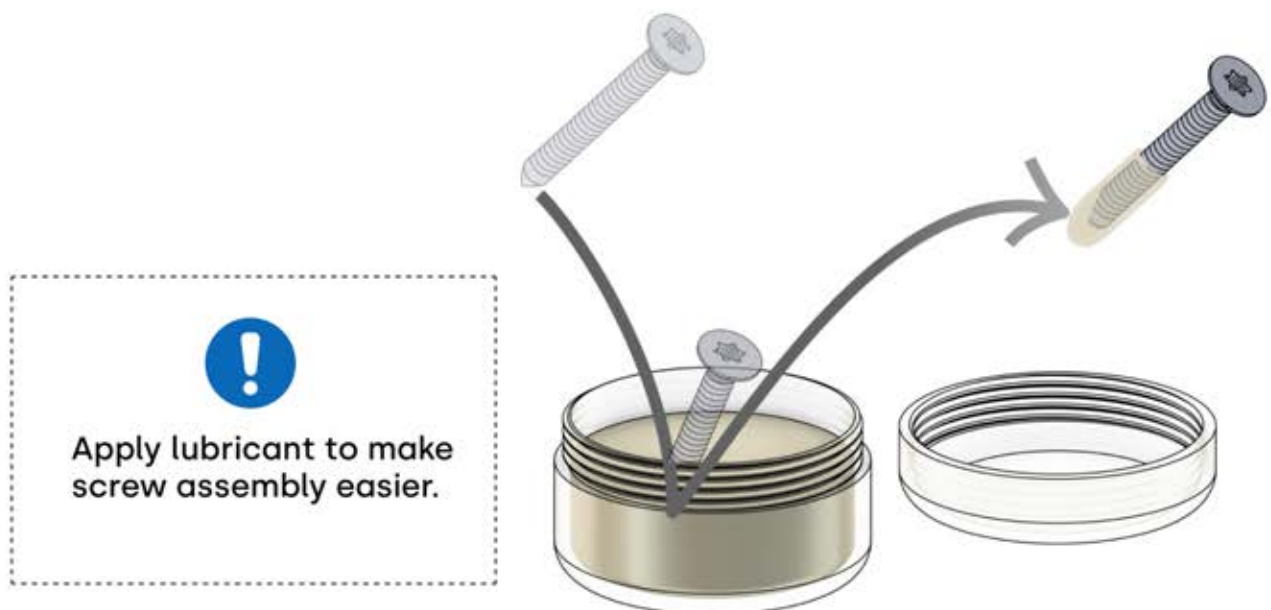


SHOP

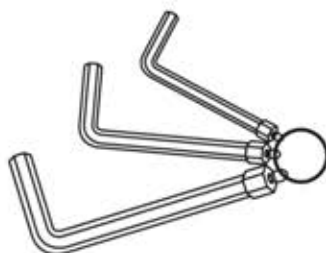
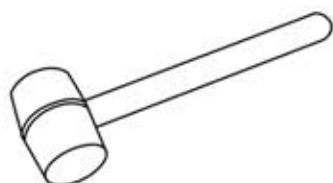
INFORMATION

All screws from **PERGOLUX** are made of stainless steel, ensuring durability and resistance to rust. To prevent damage to screws, follow these guidelines:

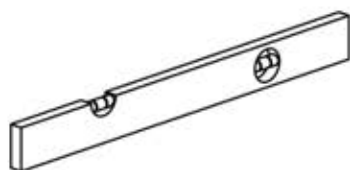
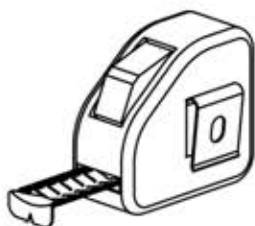
- **DO NOT OVERTIGHTEN:** Apply appropriate force to avoid stripping the threads.
- **CHOOSE THE CORRECT TOOL:** Use the proper screwdriver or bit to avoid damaging the screw head.
- **ENSURE PROPER USE:** With correct installation, screws will maintain their integrity and functionality over time.
- **USE LUBRICATION:** Apply lubricant to make screw assembly easier.



INFORMATION



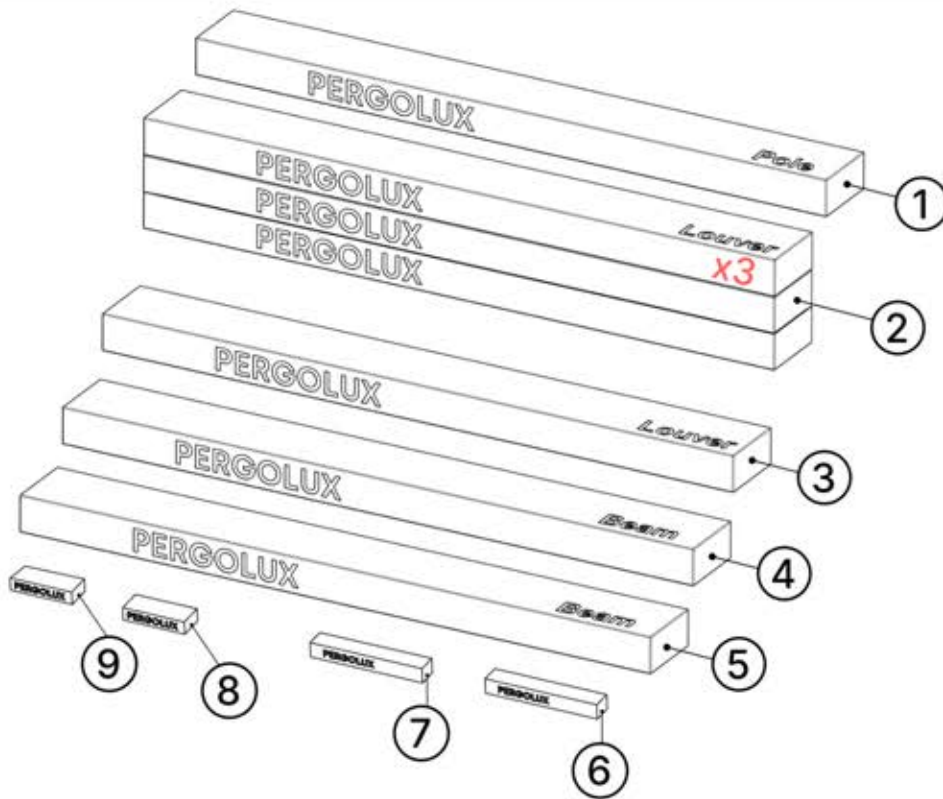
3mm, 4mm, 5mm



TX15, TX20, TX25, TX30




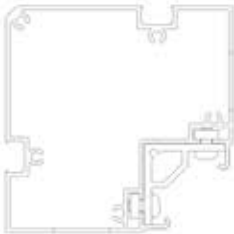
PACKAGE OVERVIEW



ORDER	ANTHRACITE	WHITE	BLACK
①	C120	C122	C121
②	L222	L226	L224
③	L234	L238	L236
④	B245	B253	B249
⑤	B263	B267	B265
⑥	WHITE / RGB LED		
⑦	MOTOR		
⑧	CONTROL BOX		
⑨	POWER CABLE		

ITEMS IN BOX

	ANTHRACITE	WHITE	BLACK
	C120	C122	C121



PN-200002606
2x




PN-200003386
2x

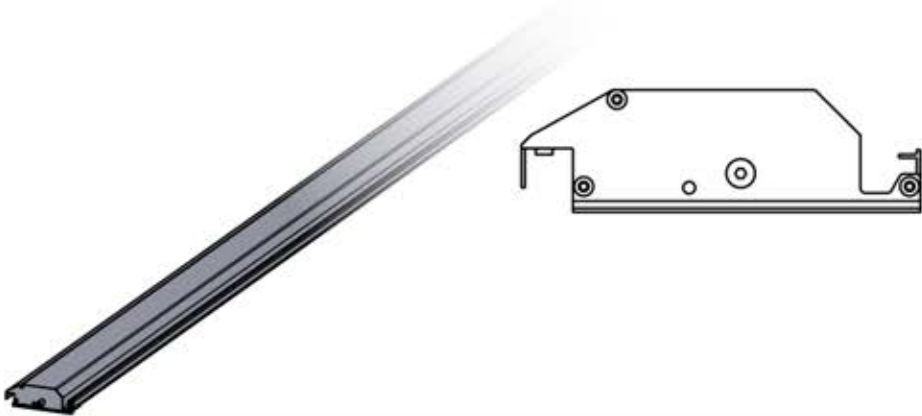


PN-200002614
2x


ITEMS IN BOX




	ANTHRACITE	WHITE	BLACK
2	L222	L226	L224



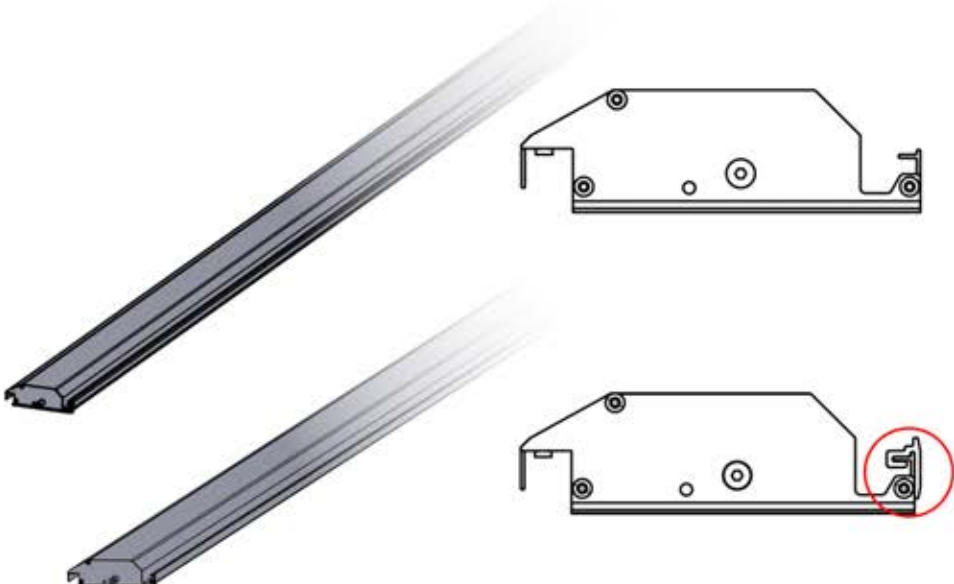
PN-200002883




Variable



	ANTHRACITE	WHITE	BLACK
3	L234	L238	L236



PN-200002883





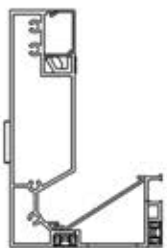

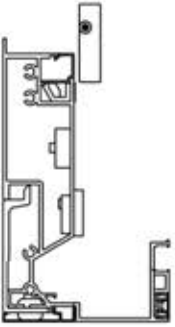



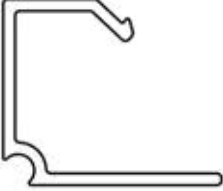


Variable

PN-200002975


1x







ITEMS IN BOX



	ANTHRACITE	WHITE	BLACK
	4	B245	B253





		<p>PN-200003283 1x</p>
		<p>PN-200003388 1x</p>
		<p>PN-200002609 1x</p>
		<p>PN-200002623 1x</p>
		<p>PN-200002613 1x</p>

ITEMS IN BOX

	ANTHRACITE	WHITE	BLACK
	4	B245	B253

		PN-200002633 1x
		PN-200003329 1x
		PN-200003382 1x

 PN-20000 3326 5.5x60 7/32" x 2-3/8"	PN-200000560 10x	 PN-20000 3320	PN-200000826 2x
---	----------------------------	--	---------------------------

 PN-20000 3302	PN-200001514 4x	 PN-200003323 1x
 PN-200003322 1x	 4.2x16 5/32" x 5/8"	PN-200000840 18x

ITEMS IN BOX



4

ANTHRACITE

WHITE

BLACK

B245

B253

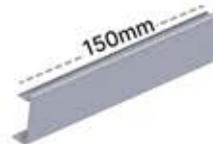
B249



PN-20000
3278



PN-200003030
1x



PN-200003033
2x

PN-200003031
1x



PN-200001207
2x



PN-20000
3279



PN-200000568
32x



PN-20000
3379



PN-200000960
4x



PN-20000
3276



PN-200002618
4x



PN-200000571
4x



PN-20000
3365



PN-200000507
4x



PN-200000568
34x



PN-200000569
8x



PN-200000516
1x



PN-20000
3364




PN-200002792
2x


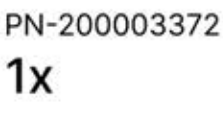







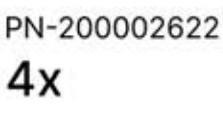

PN-200002617
4x

ITEMS IN BOX


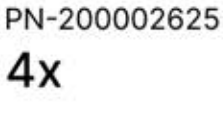



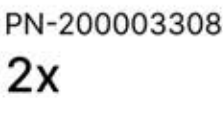
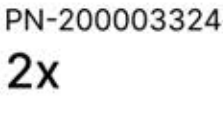
	ANTHRACITE	WHITE	BLACK
4	B245	B253	B249


 <p>PN-20000 3371 1x</p>	 <p>PN-200003372 1x</p>	 <p>PN-200003373 1x</p>
 <p>PN-200001946 1x</p>	 <p>PN-200000502 1x</p>	 <p>PN-200000561 1x</p>

 <p>PN-20000 3281 4x</p>	 <p>PN-200002622 4x</p>
 <p>PN-200000680 8x</p>	






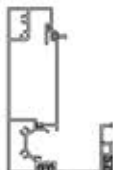


 <p>PN-20000 3305 Variable</p>	 <p>PN-200000510 Variable</p>
 <p>PN-200000669 Variable</p>	
 <p>PN-200000655 Variable</p>	

 <p>PN-20000 3284 4x</p>	 <p>PN-200002625 4x</p>
--	---

 <p>PN-20000 3309 2x</p>	 <p>PN-200003308 2x</p>
	 <p>PN-200003324 2x</p>

 <p>PN-200003209 1x</p>
--

ITEMS IN BOX

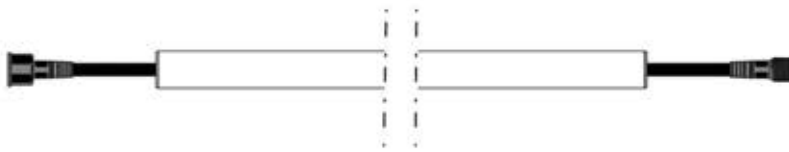
	ANTHRACITE	WHITE	BLACK
	B263	B267	B265
	5		
		PN-200003358 1x	
		PN-200003359 1x	
		Premounted PN-200003557 2x	

ITEMS IN BOX



6

WHITE / RGB LED



LED light strip

4x



Y cable

1x



7

ELECTRIC MOTOR



Electric motor
PN-200001562

1x



PN-200001623

1x



PN-200001624

1x



PN-200001625

2x

ITEMS IN BOX

! ** Only if you ordered LED lights to your pergola.



8

CONTROL BOX



Control box

1x



PN-200002756

1x



Matter antenna clip

1x



PN-200002754

1x



PN-200002684

10x



PN-200002758

1x



PN-200002683

5x



PN-200002753

2x



QR-code

1x



PN-200002759

2x



3M tape

1x



PN-200002757

1x

ITEMS IN BOX



**** Only if you ordered LED lights to your pergola.**



9

POWER CABLE



Power cable

1x



All electric parts should be tested before installation.

LEDs + Motor (and heater) should be connected to the Control box and programmed to ensure functionality.

Matter + Smart home can be connected at anytime by simply scanning the QR code provided



CONTROL BOX

[View Manual](#)

TEST OF ELECTRONICS

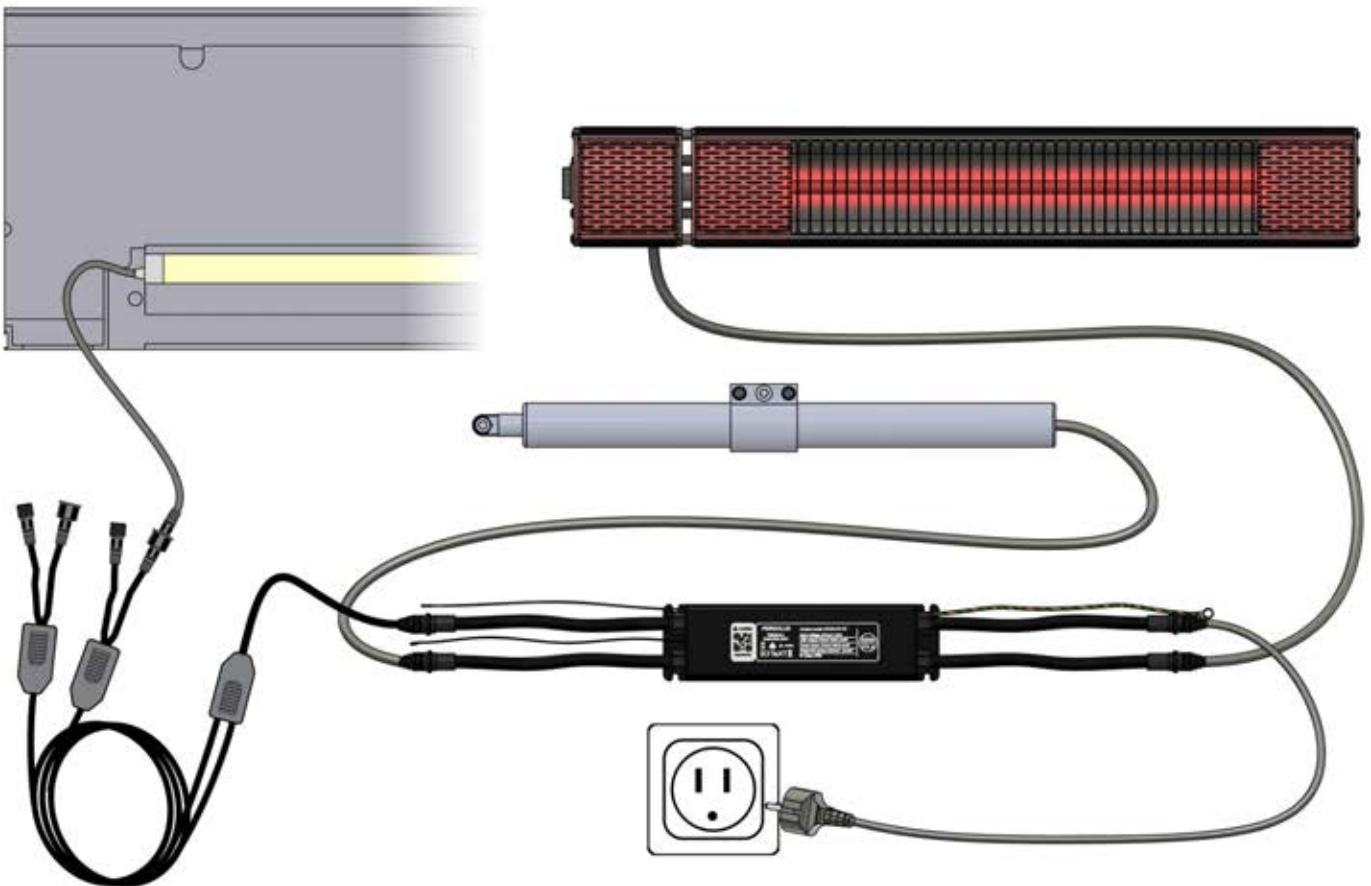
! ** Only if you ordered LED lights to your pergola.



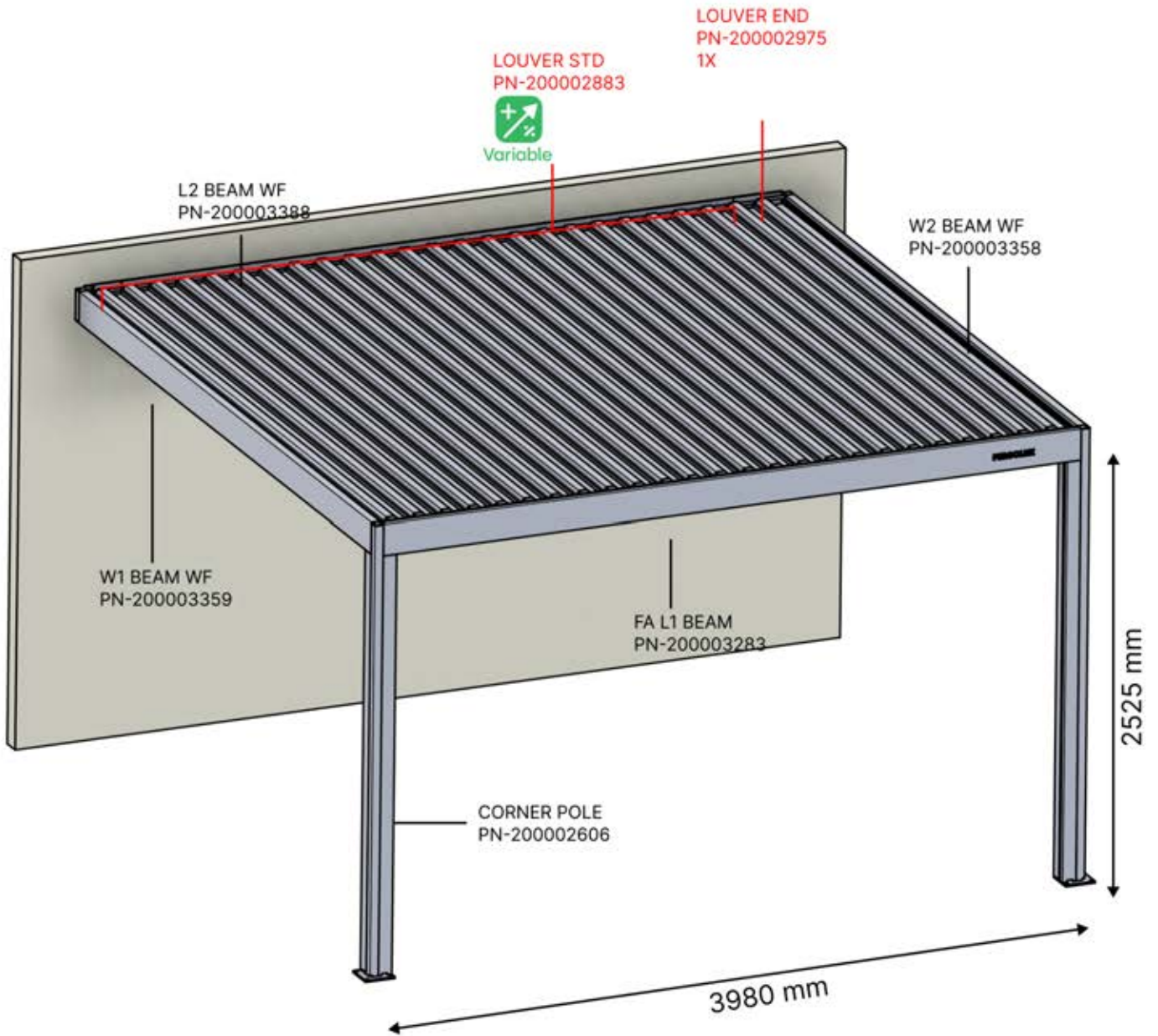
All electric parts should be tested before installation.

LEDs + Motor (and heater) should be connected to the Control box and programmed to ensure functionality.

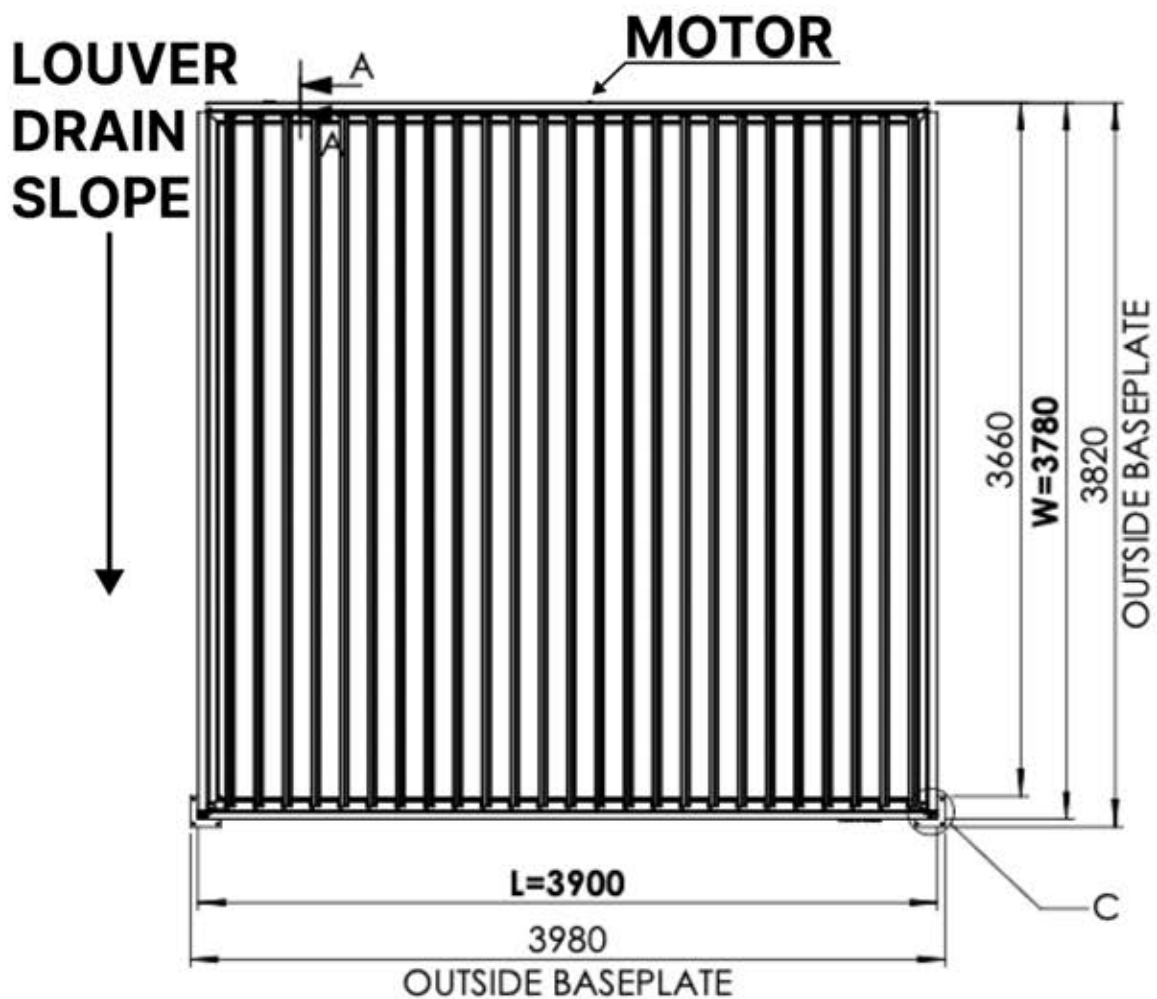
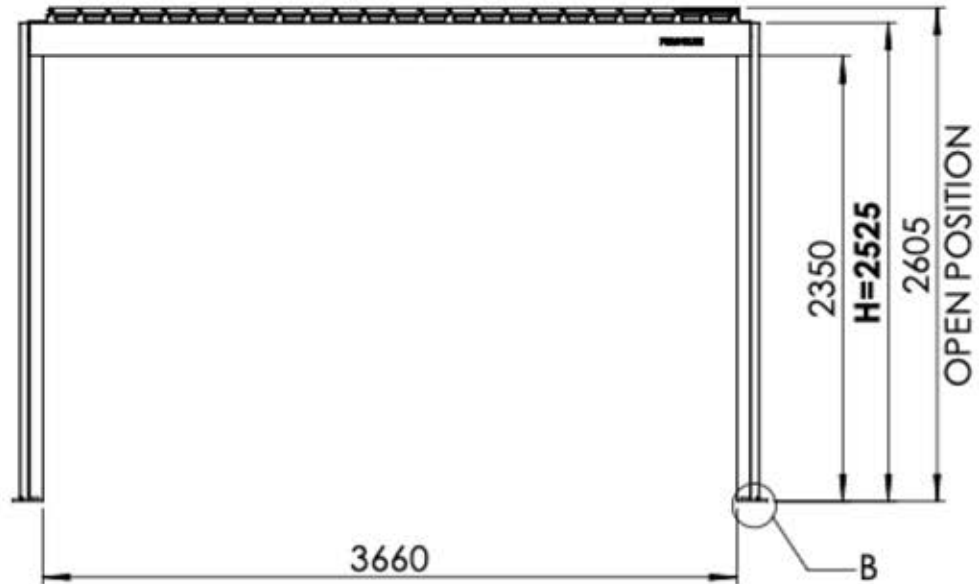
Matter + Smart home can be connected at anytime by simply scanning the QR code provided



WALL MOUNTED



WALL MOUNTED



INFORMATION

Are you installing a screen, slat wall or glass wall?

It is recommended to remove these Snapfit covers and clips now before installing the pergola.

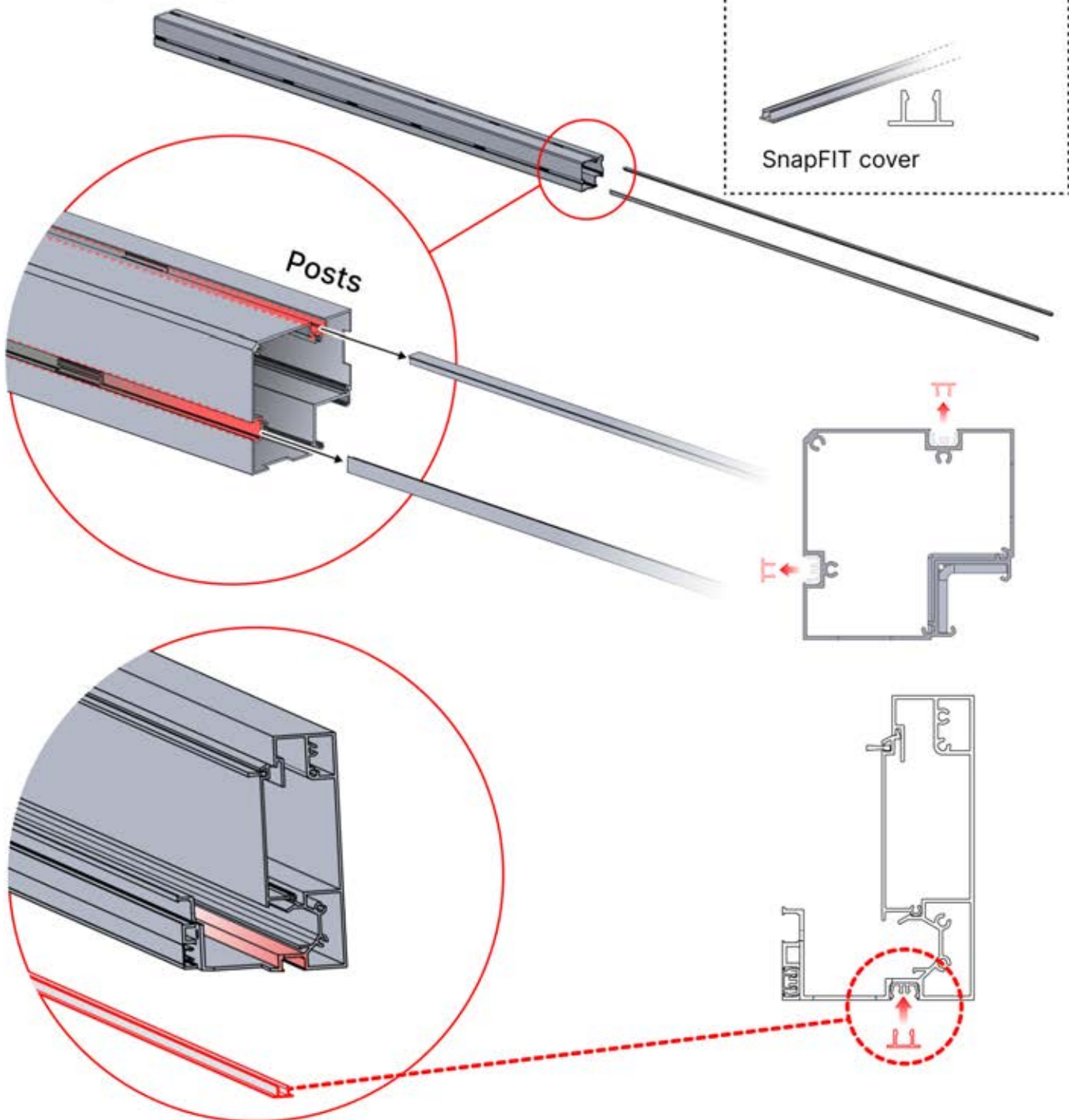
Cover and clips



PN-200000512
SnapFIT cover clip



SnapFIT cover



INFORMATION

Are you installing a heater, fan or LED lights?

It is recommended to remove both snap-fit covers from the beam now.

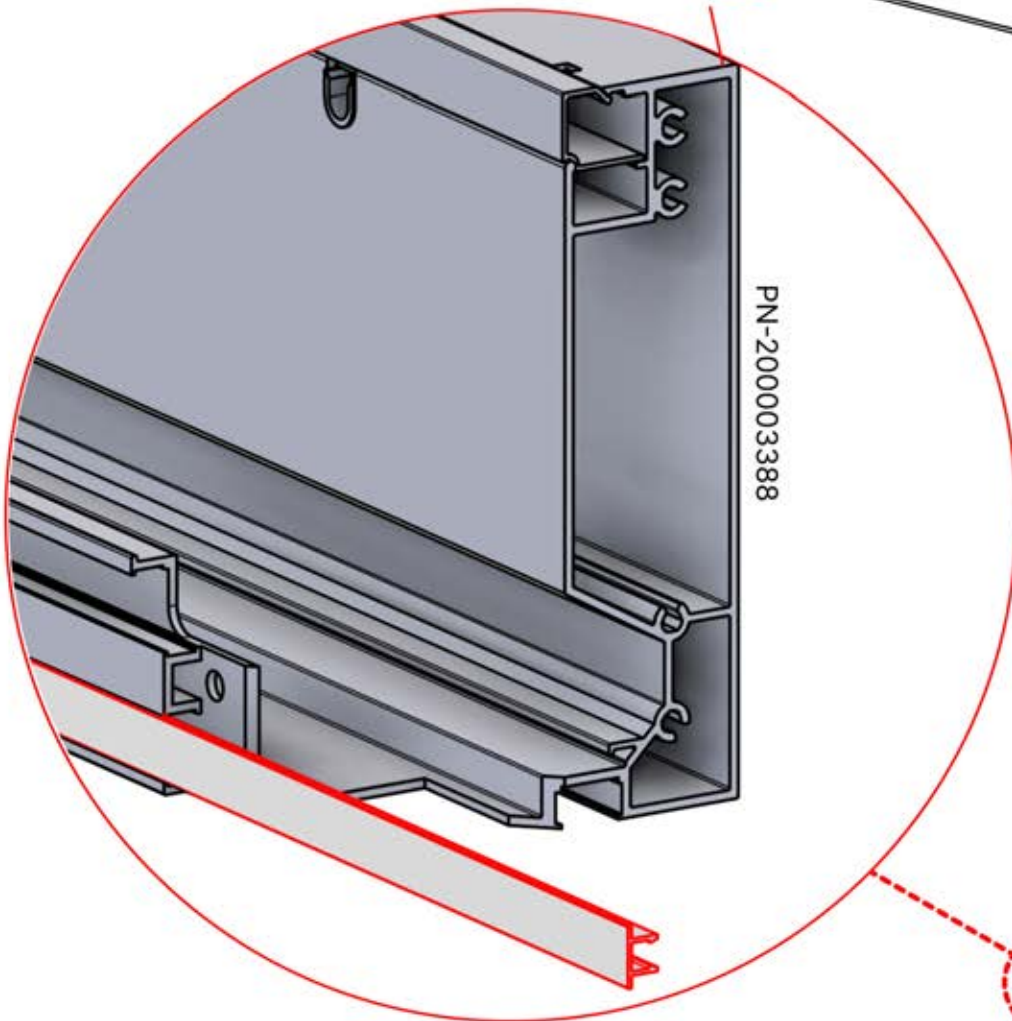
Cover and clips



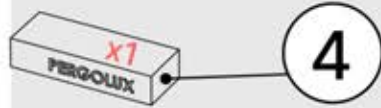
PN-200000512
SnapFIT COVER CLIP



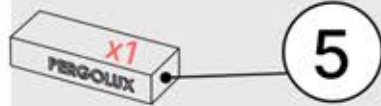
SnapFIT cover



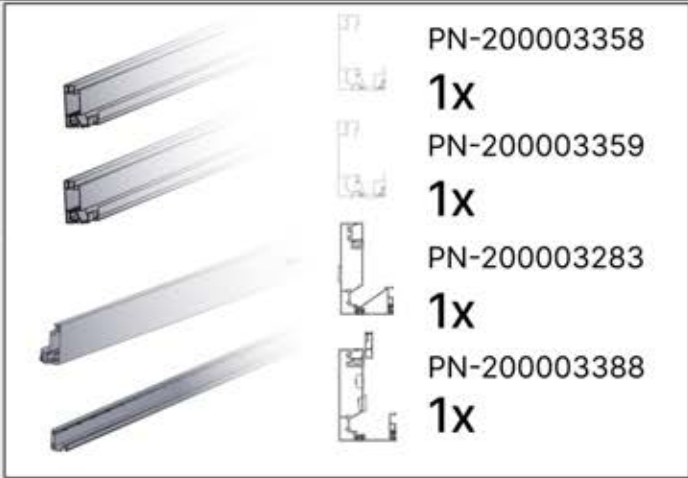
INFORMATION



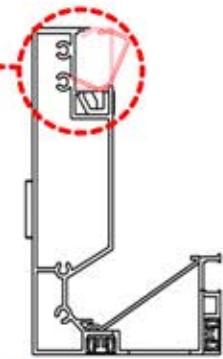
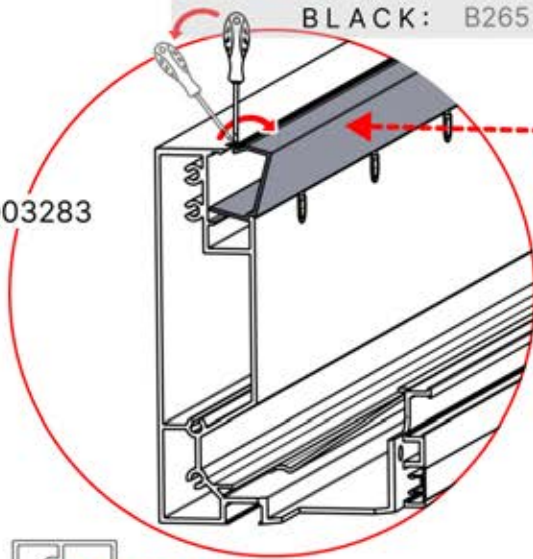
ANTHRACITE: B245
 WHITE: B253
 BLACK: B249



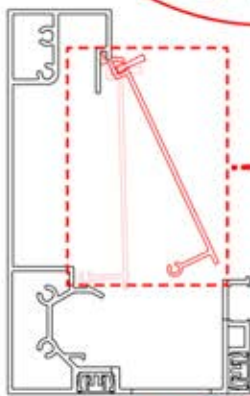
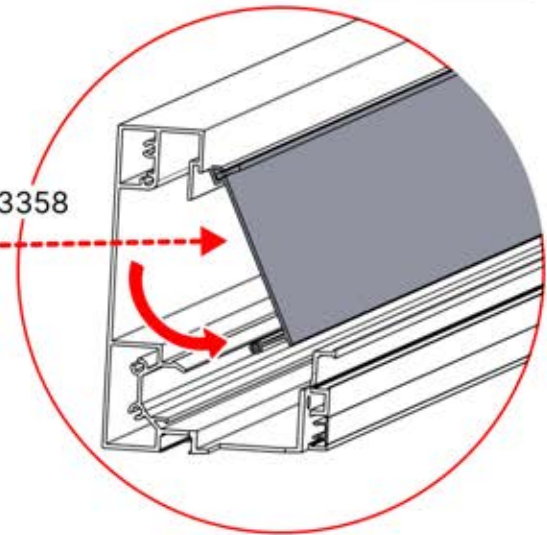
ANTHRACITE: B263
 WHITE: B267
 BLACK: B265



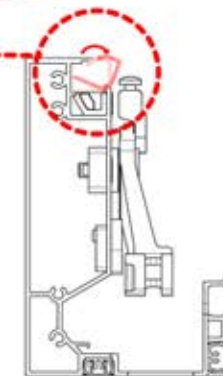
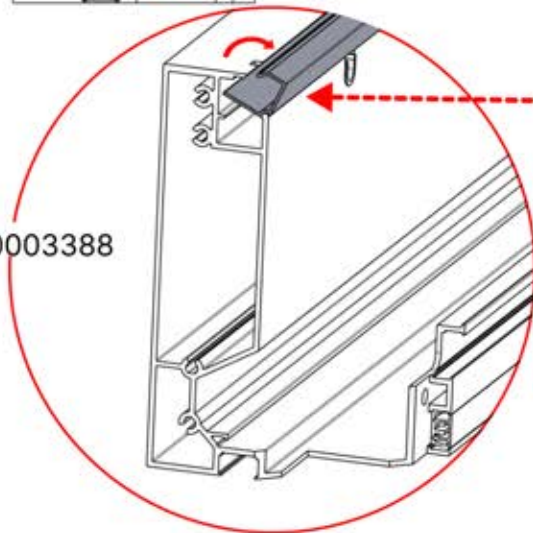
PN-200003283



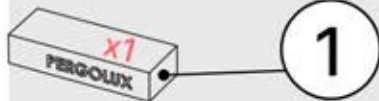
PN-200003358



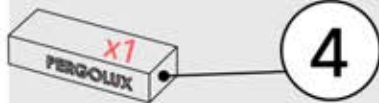
PN-200003388



01



ANTHRACITE: C120
WHITE: C122
BLACK: C121



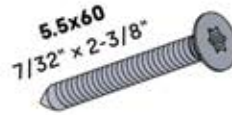
ANTHRACITE: B245
WHITE: B253
BLACK: B249



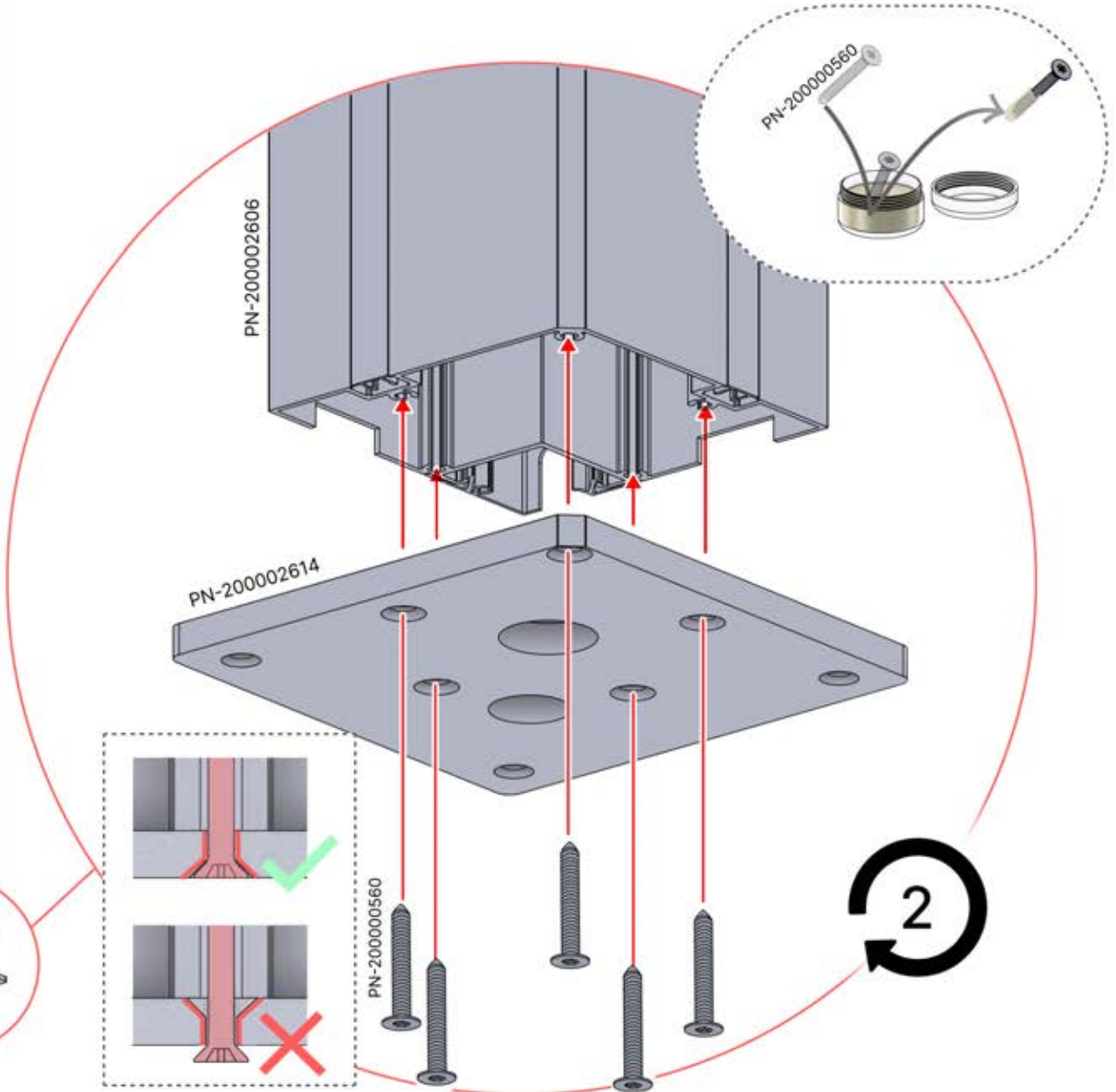
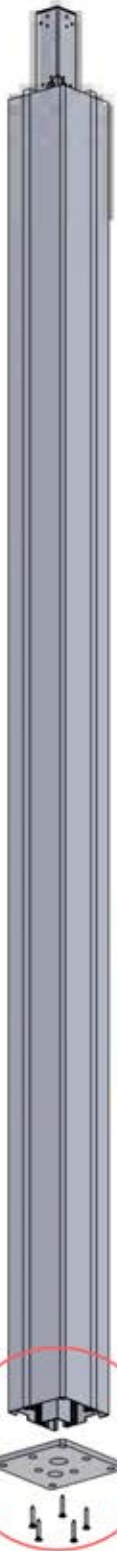
PN-200002606
2x



PN-200002614
2x



PN-200000560
10x



02

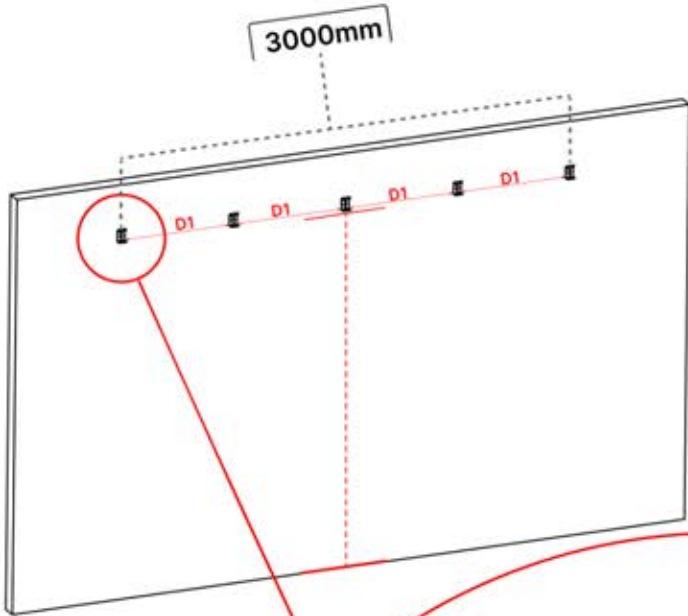


4

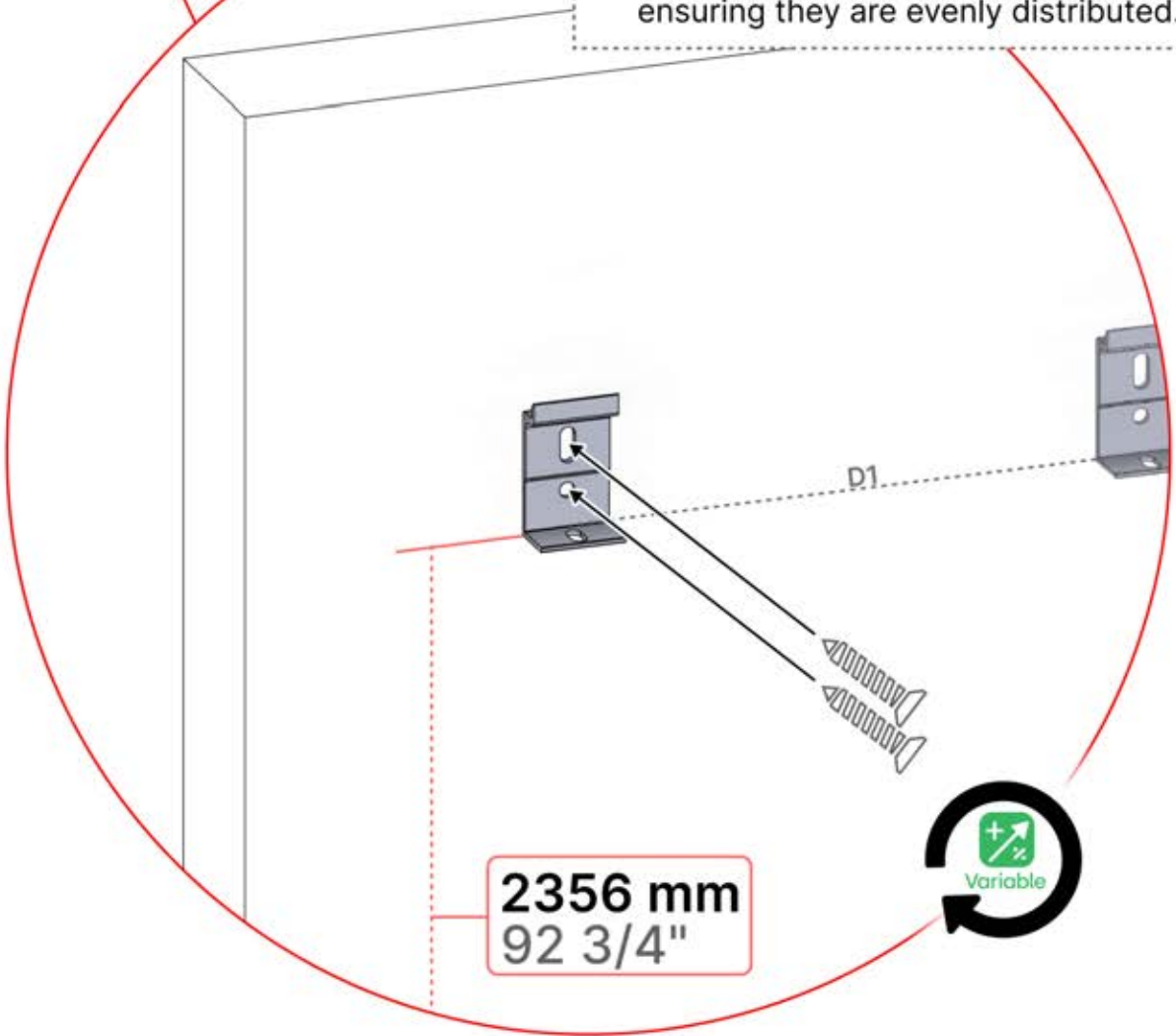
ANTHRACITE: B245
WHITE: B253
BLACK: B249



PN-200000510



Install the first and last wall mount brackets (PN-200000510) 3000 mm apart. Position the remaining brackets in between, ensuring they are evenly distributed.



2356 mm
92 3/4"




03

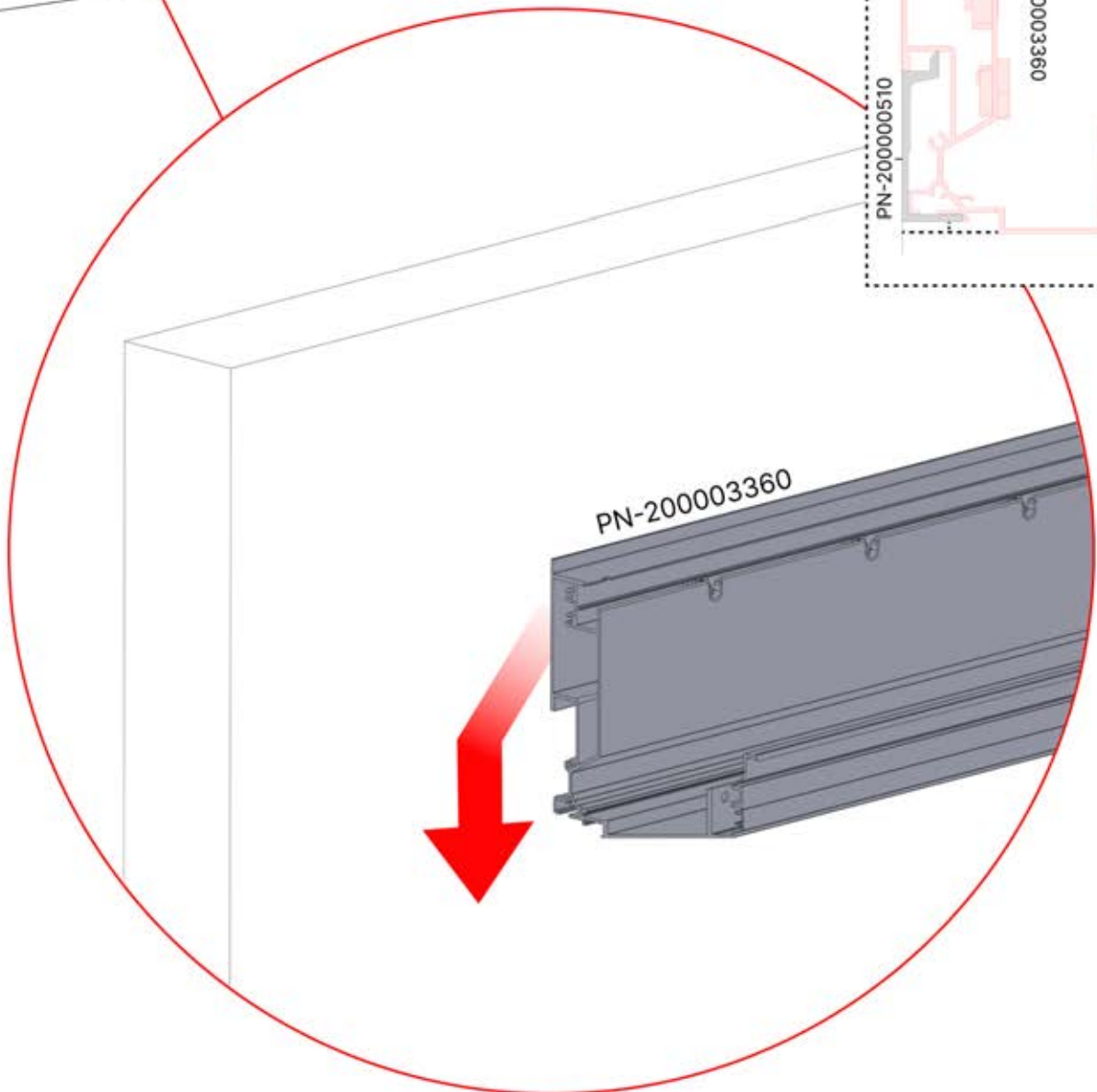
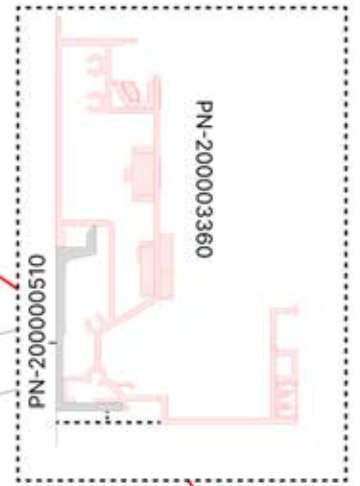
x7
PERGOLUX

4


ANTHRACITE: B245
WHITE: B253
BLACK: B249



PN-200003388
1x



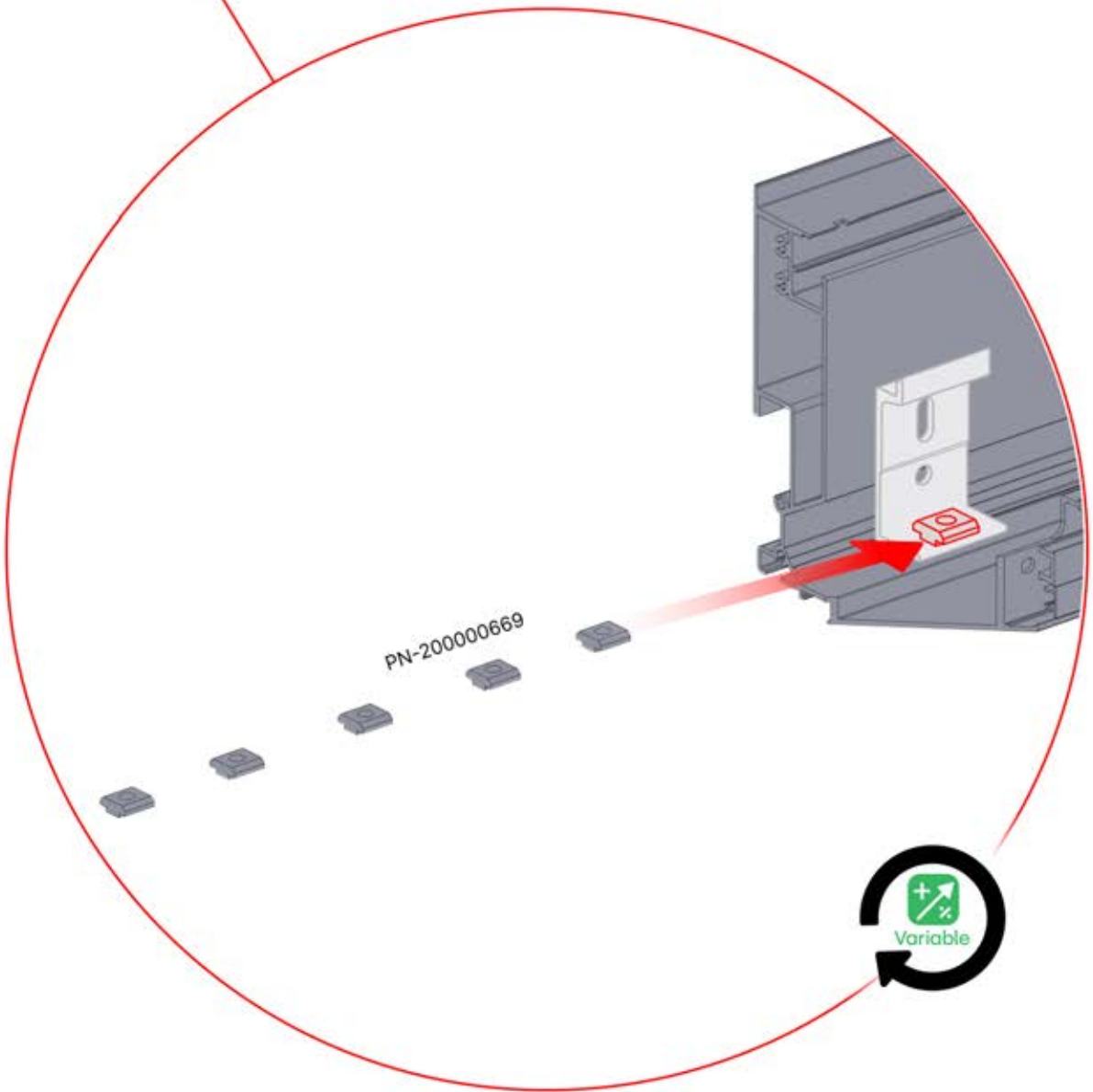
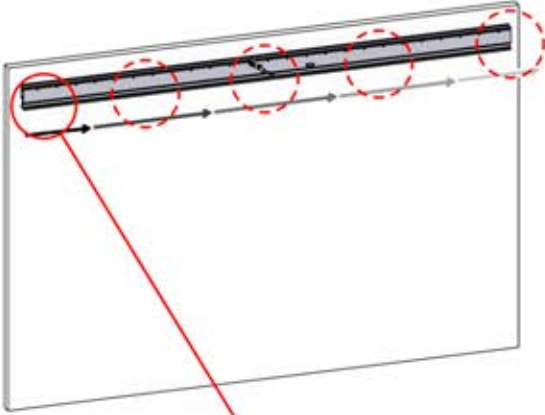
04

 **4**

ANTHRACITE: B245
WHITE: B253
BLACK: B249

 PN-200000669


Variable



05

x1
PERGOLUX

4

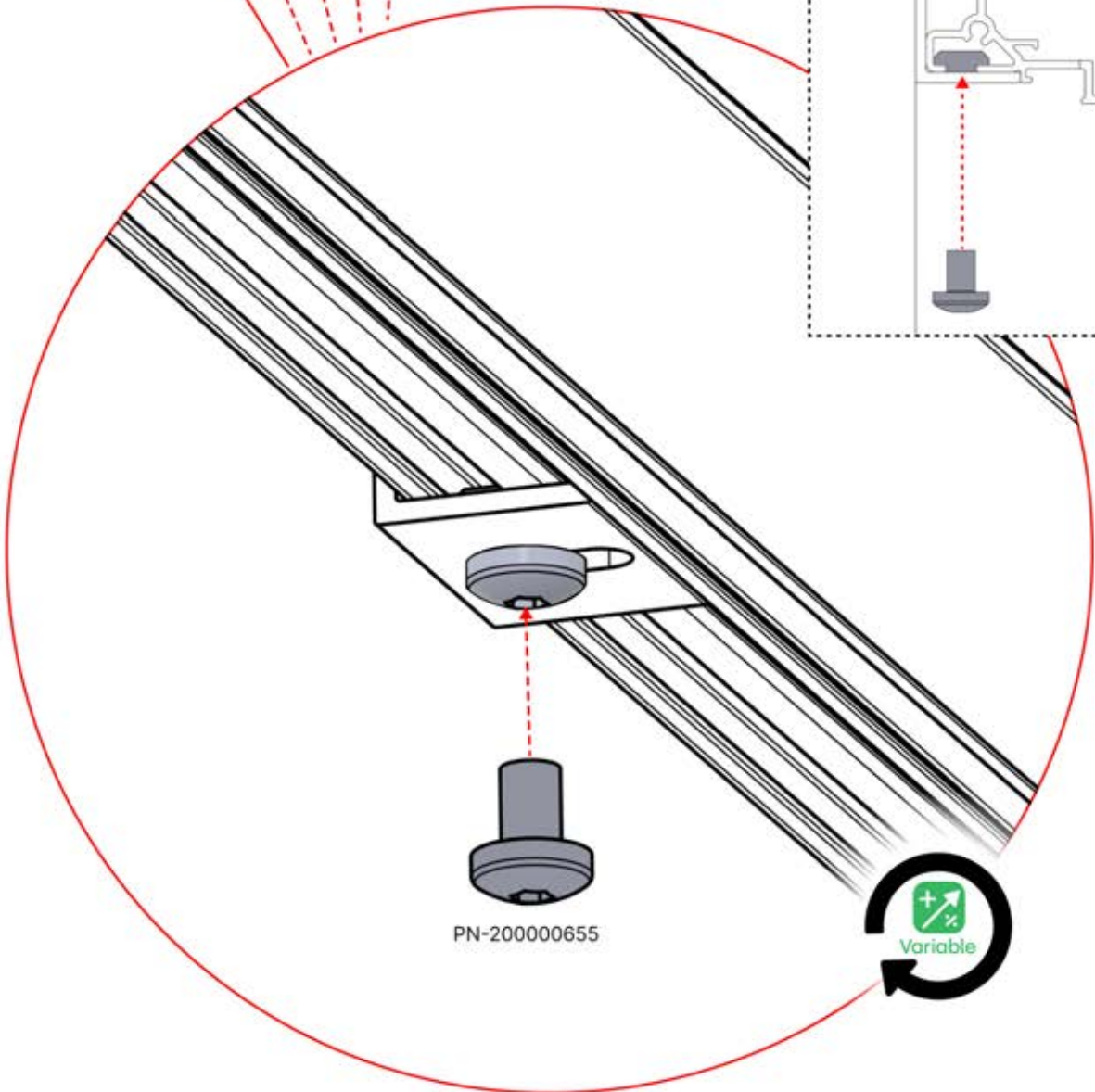
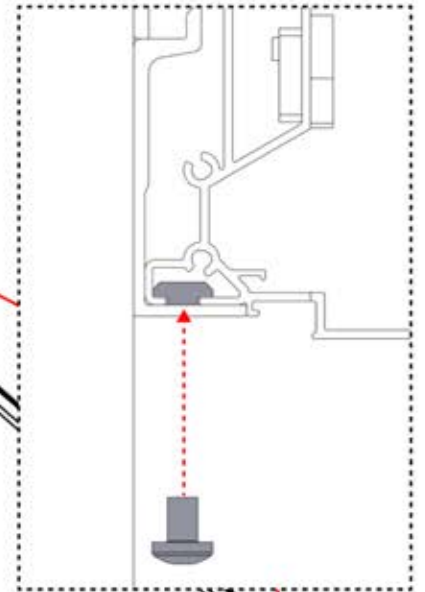
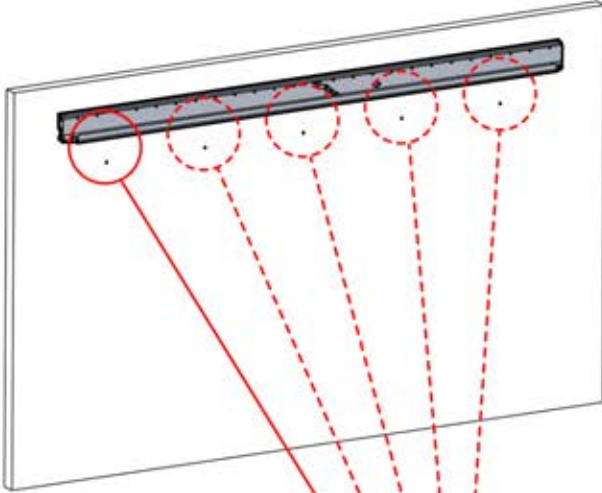
ANTHRACITE: B245
WHITE: B253
BLACK: B249



PN-20000655



Variable



06

4

x1
FERGOLUX

ANTHRACITE: B245
WHITE: B253
BLACK: B249

5

x1
FERGOLUX

ANTHRACITE: B263
WHITE: B267
BLACK: B265

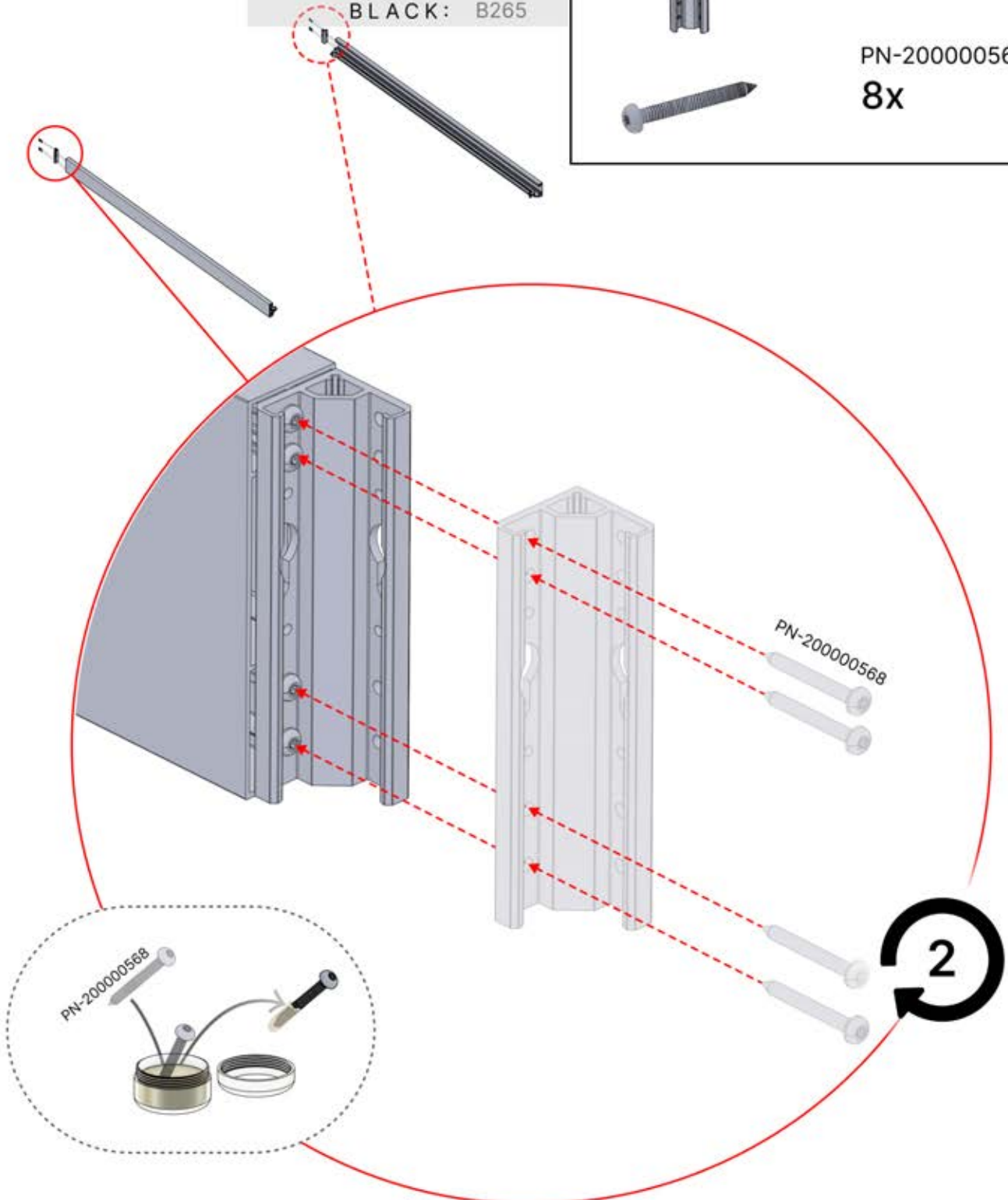


PN-200003358
1x

PN-200003359
1x

PN-200003308
2x

PN-200000568
8x



07

5

x7
PERGOLUX

ANTHRACITE: B263
WHITE: B267
BLACK: B265

4

x7
PERGOLUX

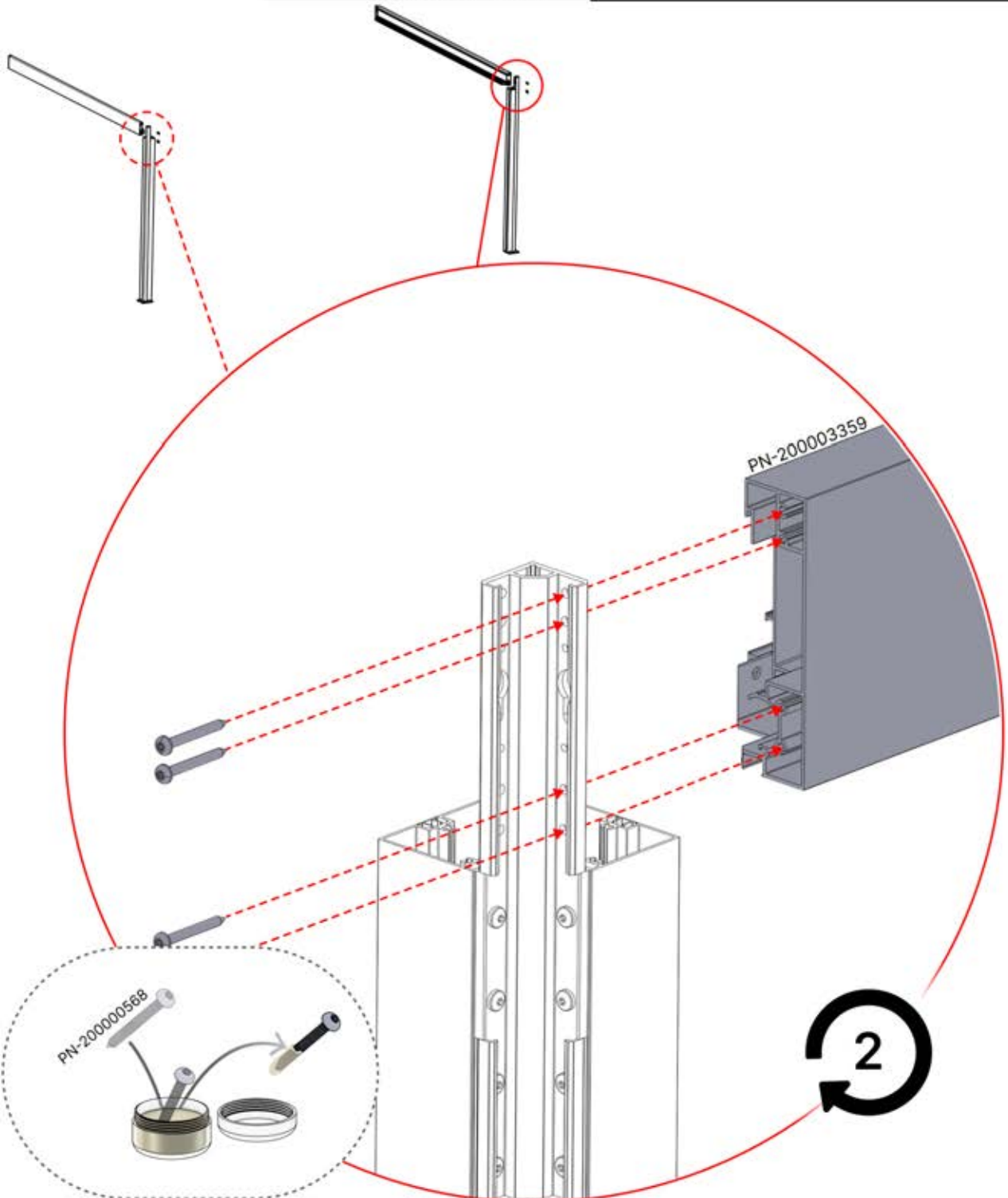
ANTHRACITE: B245
WHITE: B253
BLACK: B249



PN-200003358
1x

PN-200003359
1x

PN-200000568
8x



08

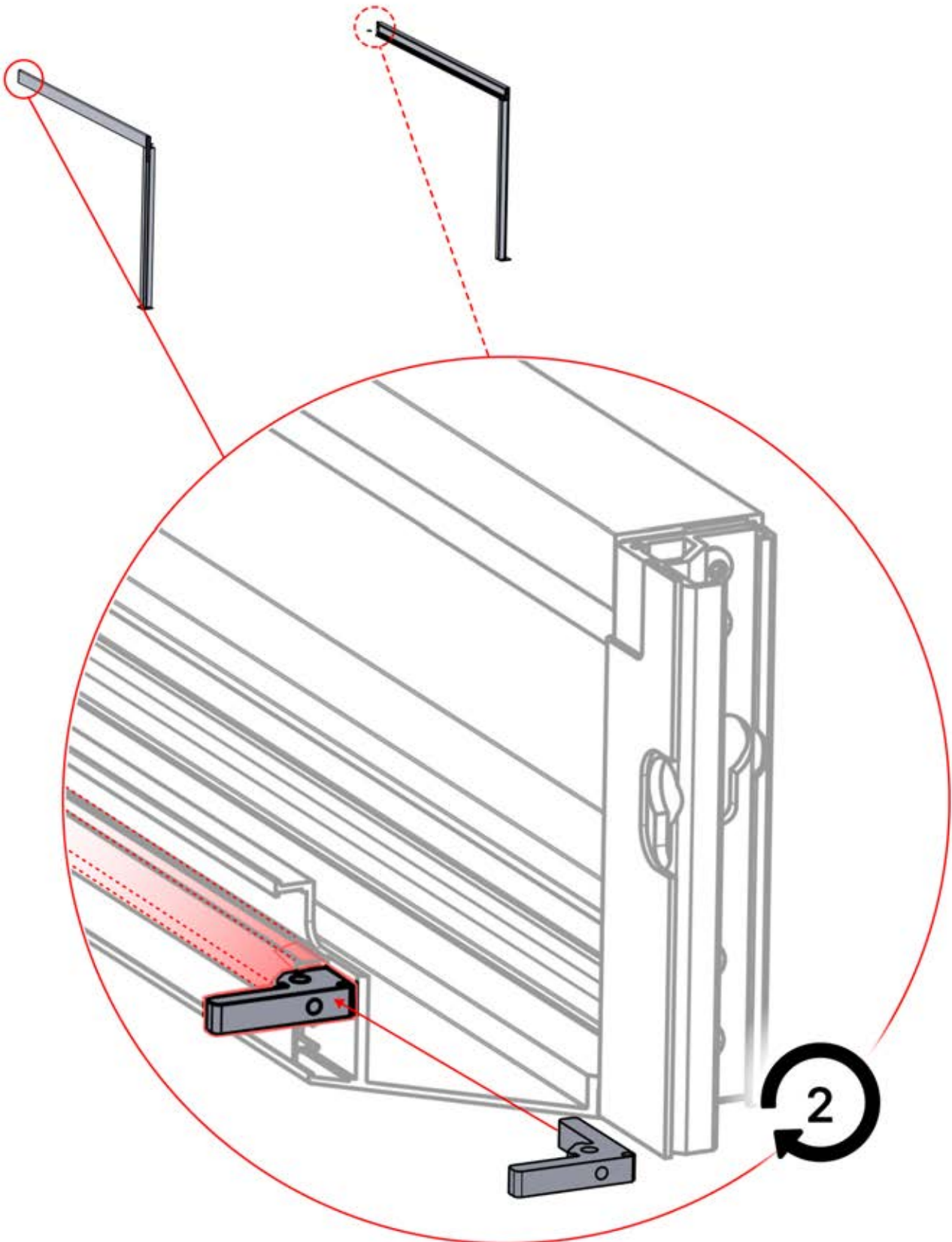


4

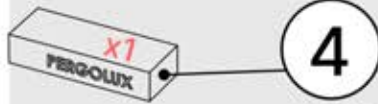
ANTHRACITE: B245
WHITE: B253
BLACK: B249



PN-20000507
2x



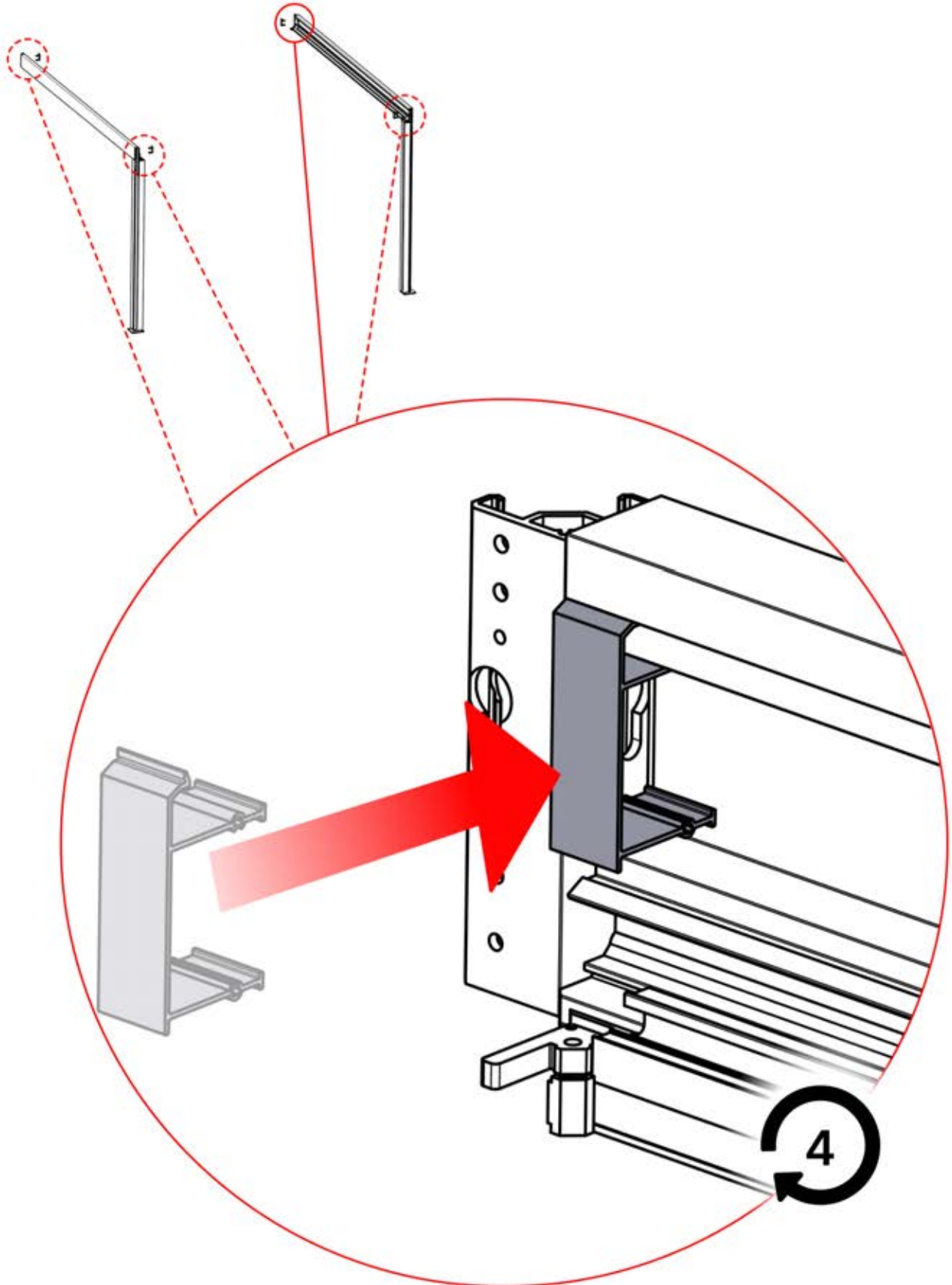
09





ANTHRACITE: B245
WHITE: B253
BLACK: B249

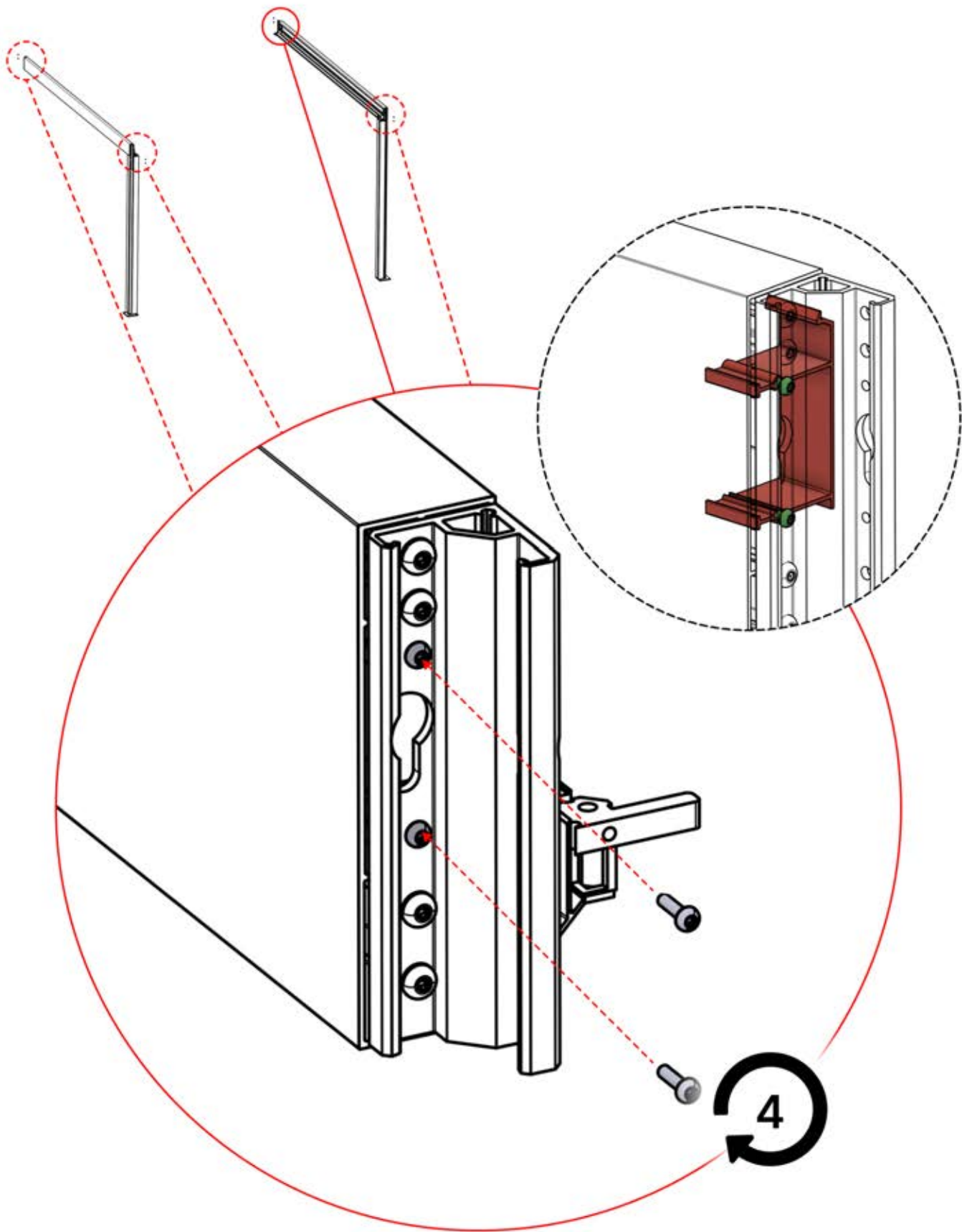


PN-200002622
4x

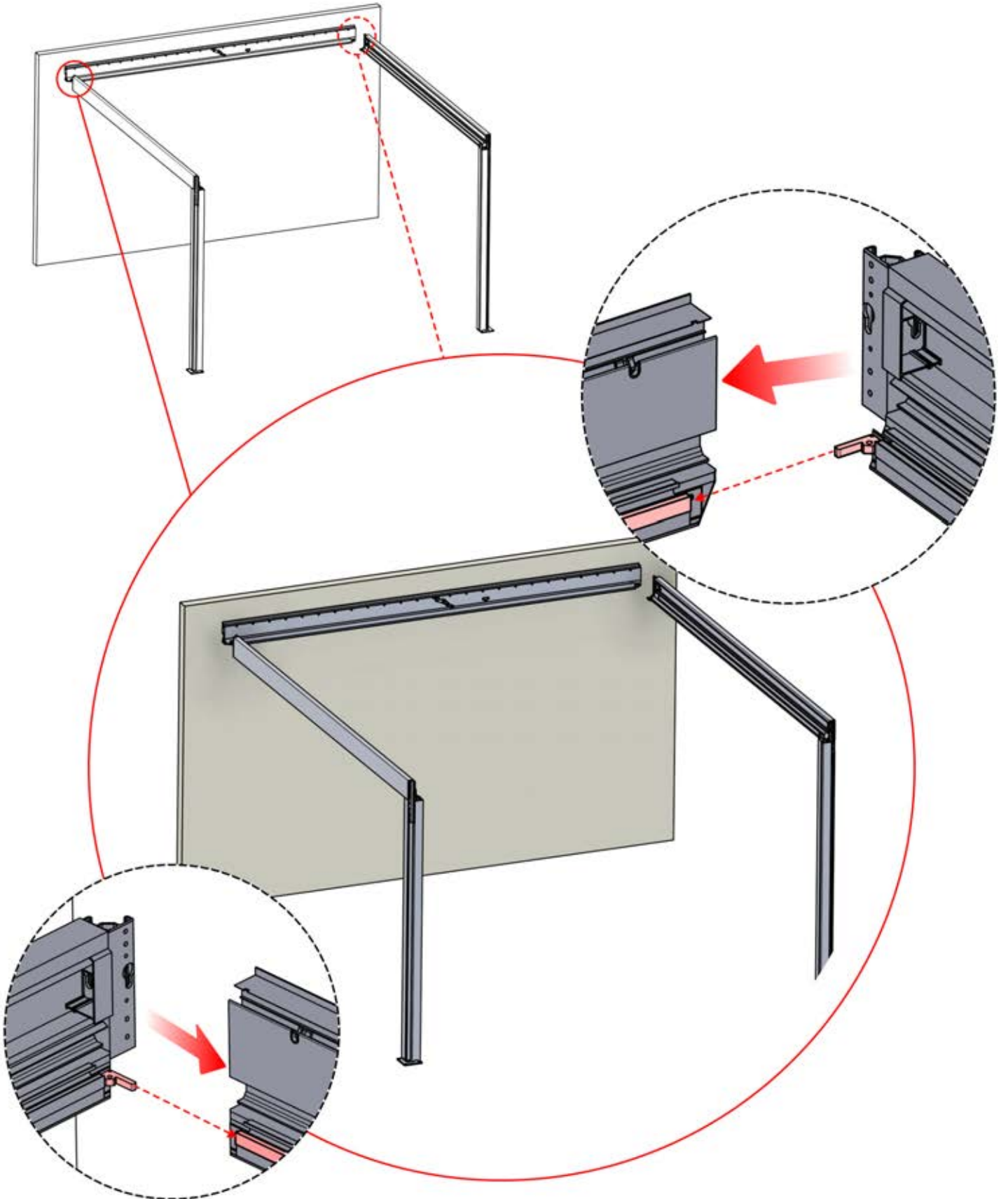


10

	4		PN-200000680
ANTHRACITE:	B245		8x
WHITE:	B253		
BLACK:	B249		



11



12

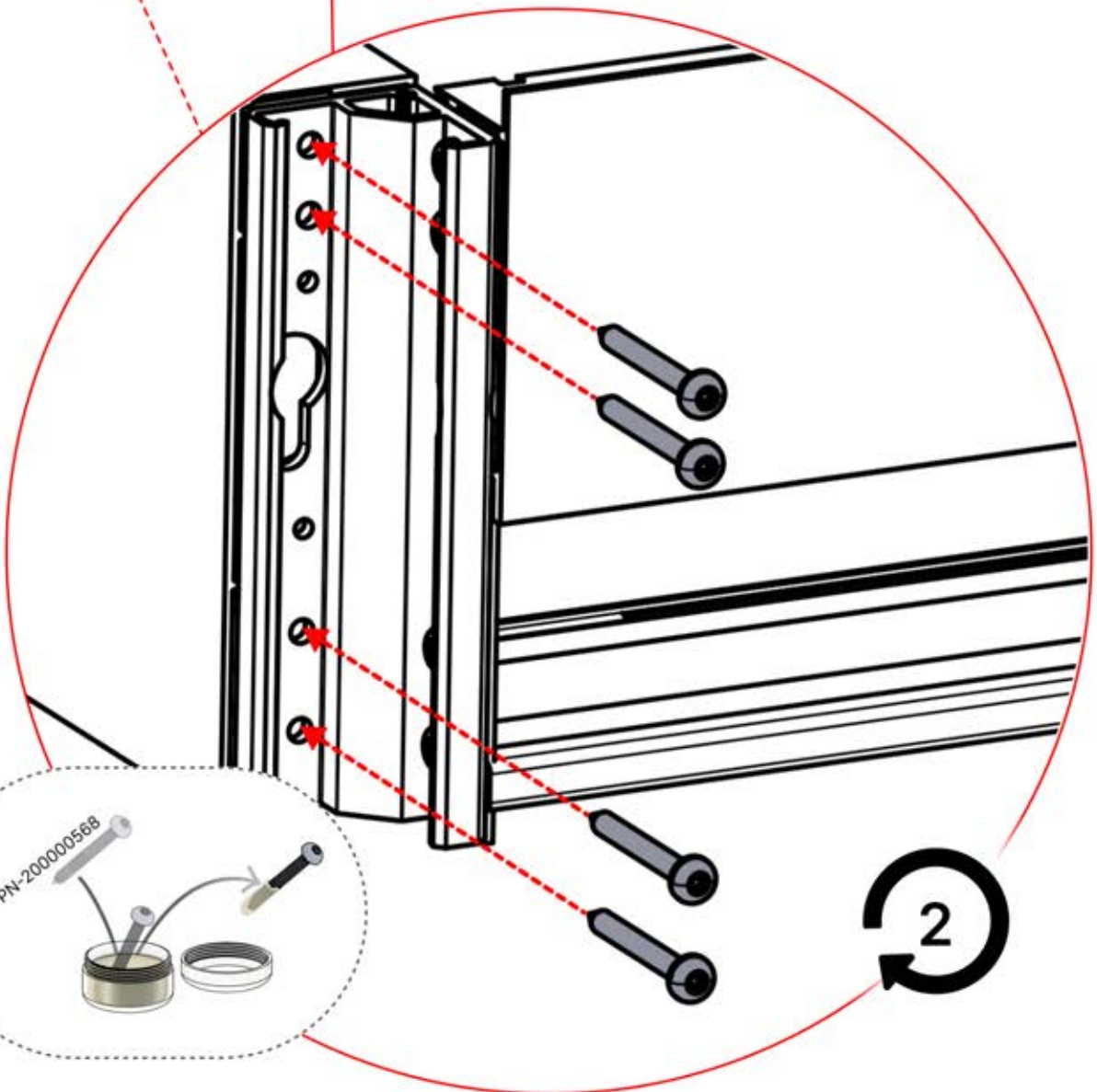
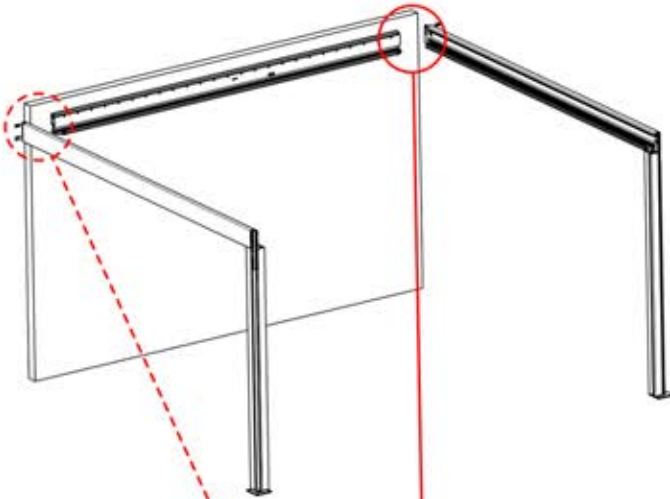

x1
FERGOLUX

4


ANTHRACITE: B245
WHITE: B253
BLACK: B249

PN-20000568


8x

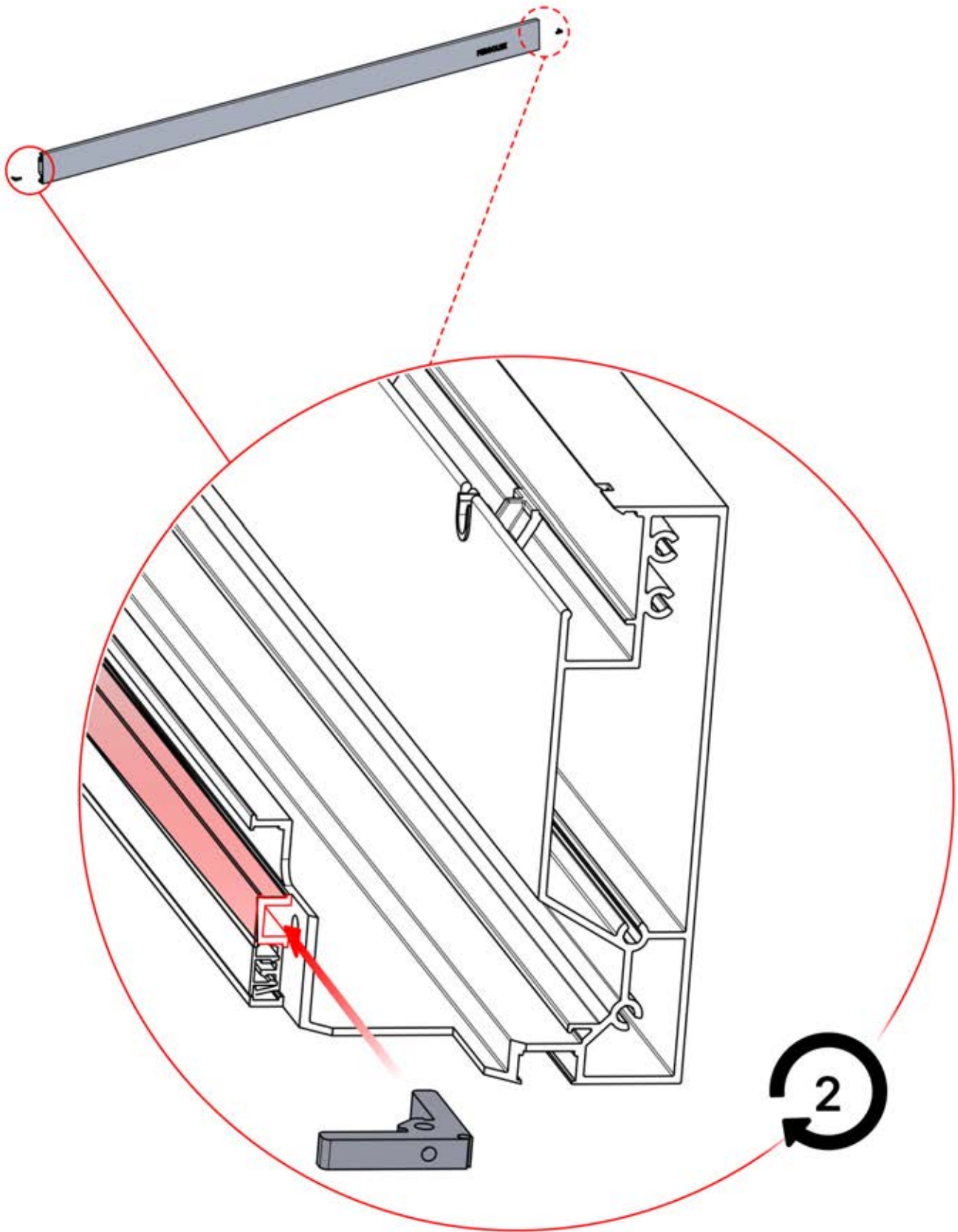


13

 **4**

ANTHRACITE:	B245
WHITE:	B253
BLACK:	B249

 PN-200000507
2x



14



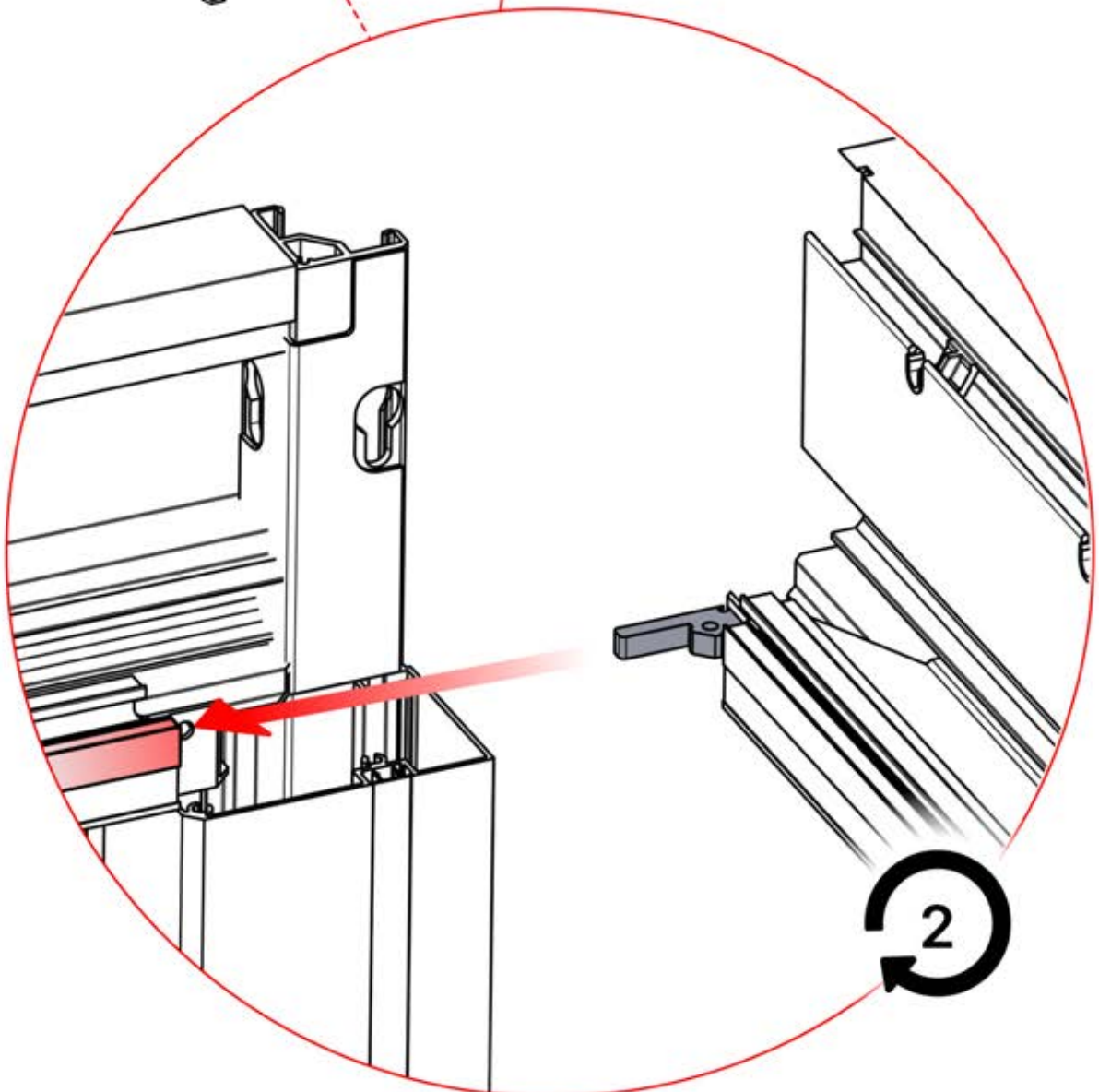
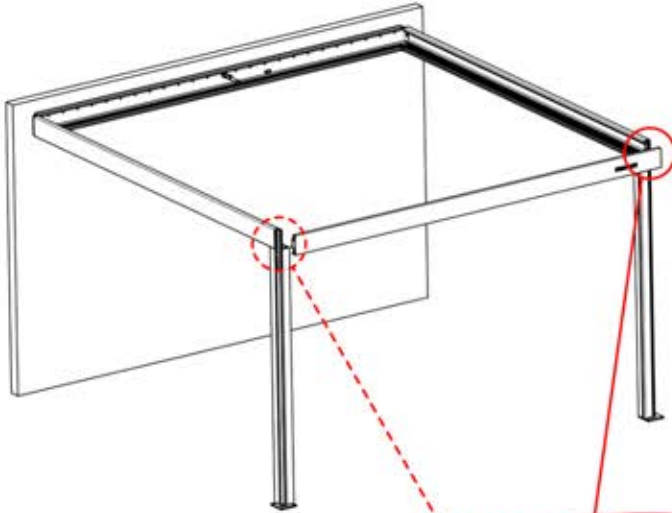
4

ANTHRACITE: B245
WHITE: B253
BLACK: B249



PN-200000507

2x




15

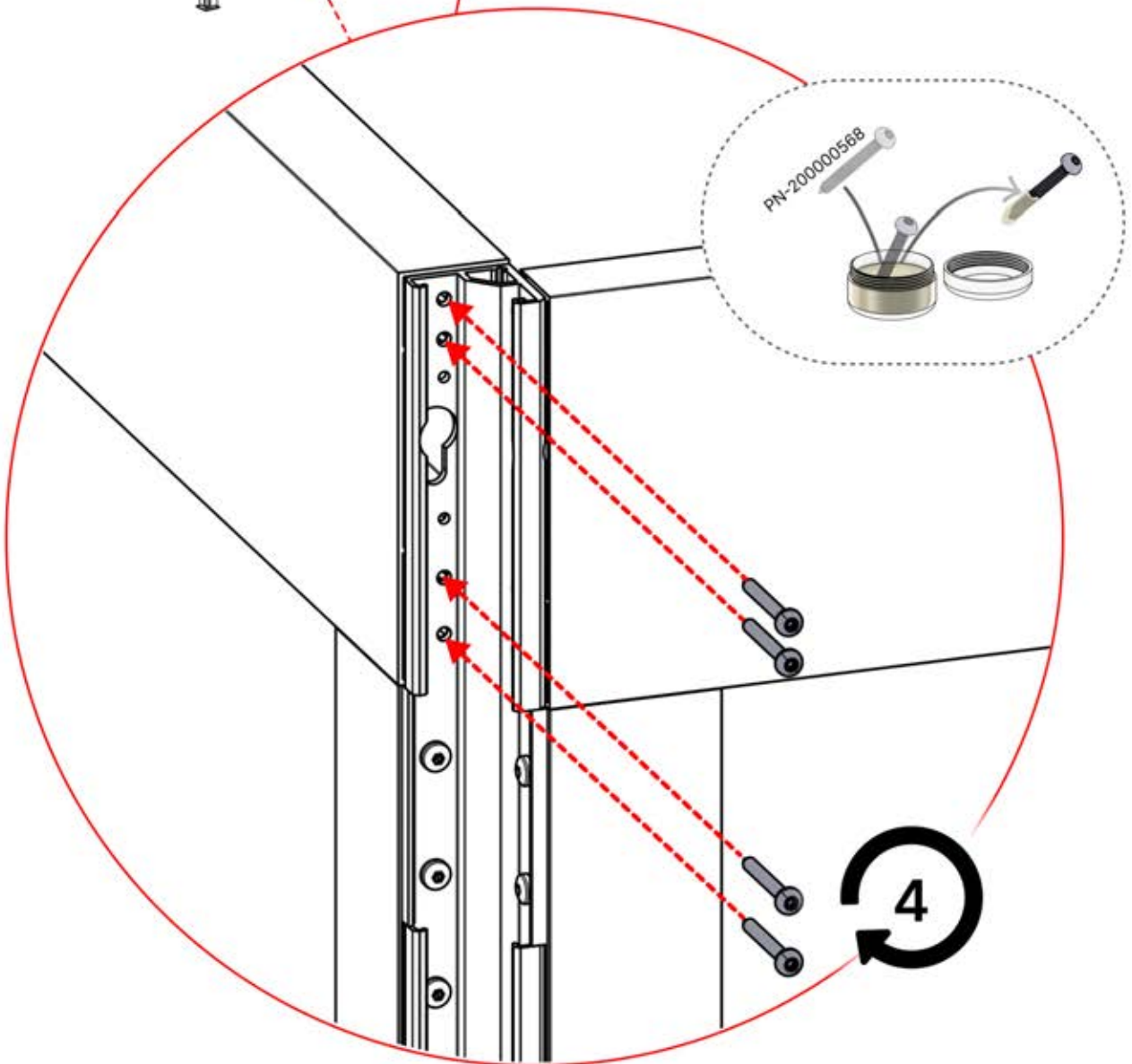
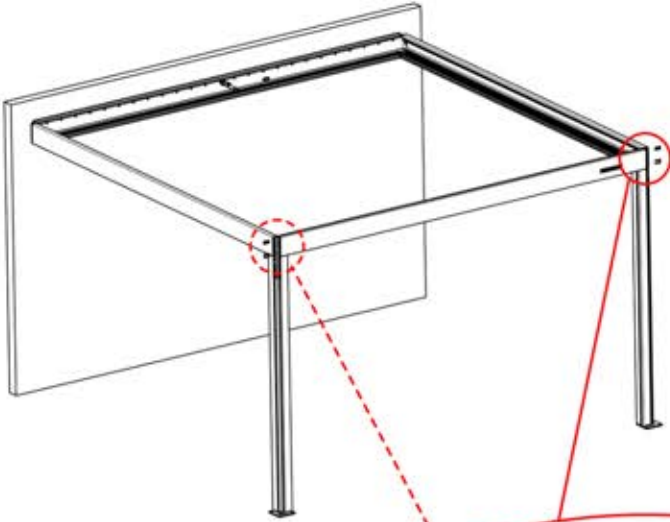
x1
PERGOLUX

4

ANTHRACITE: B245
WHITE: B253
BLACK: B249



PN-200000568
8x



16

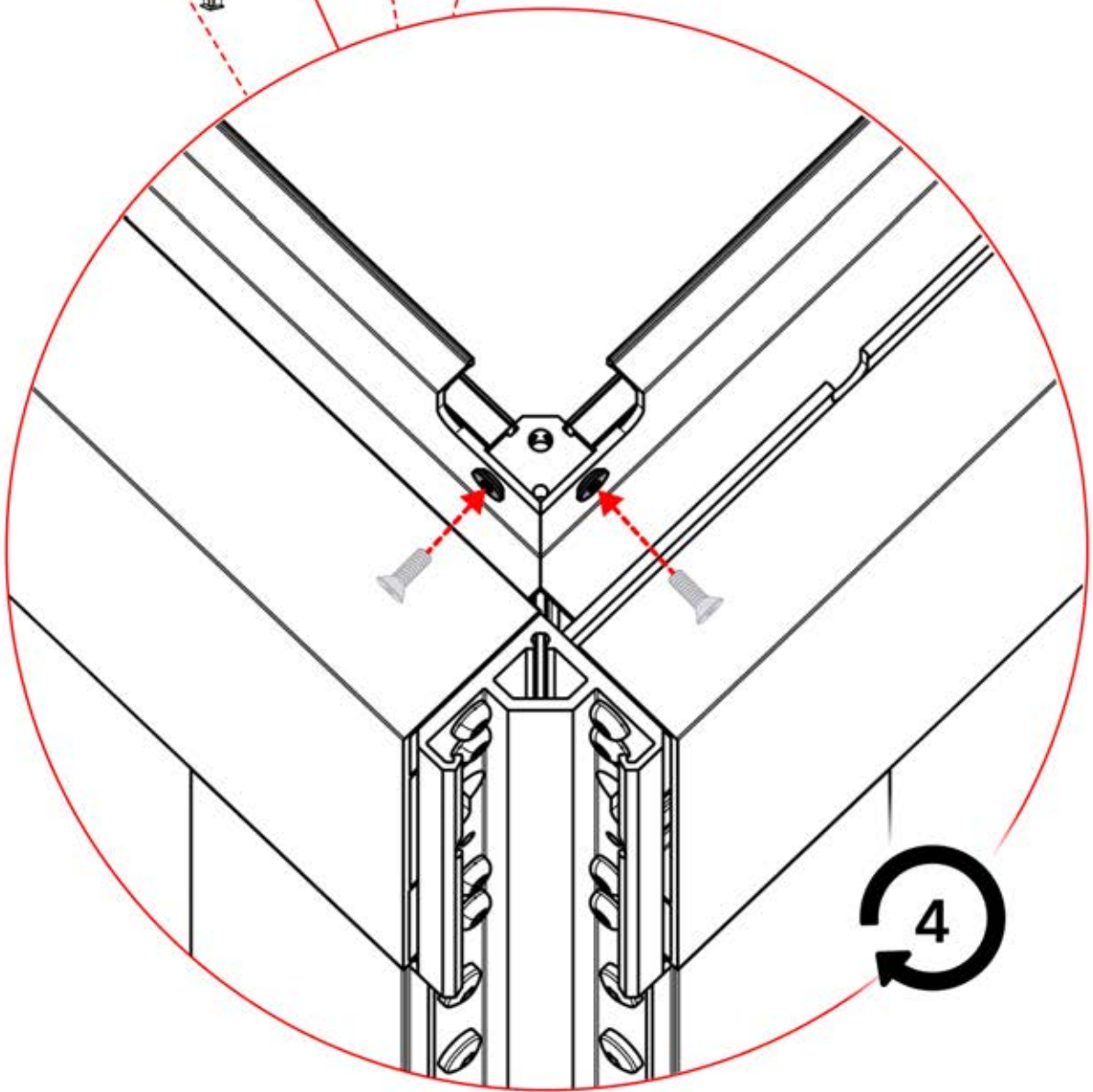
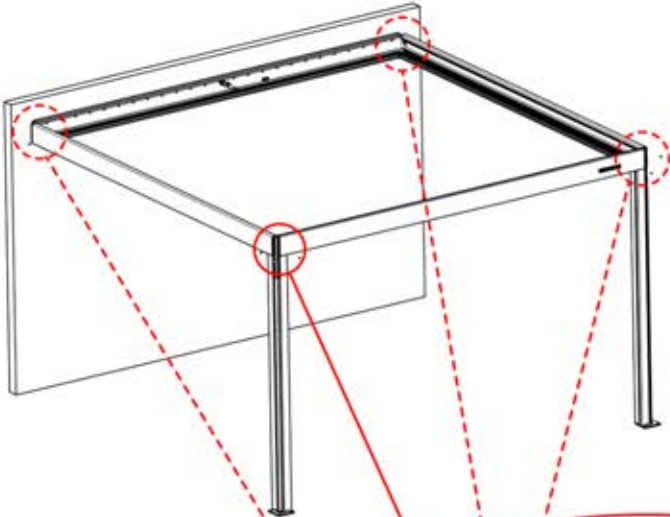
x1
PERGOLUX

4

ANTHRACITE: B245
WHITE: B253
BLACK: B249



PN-200000569
8x




17

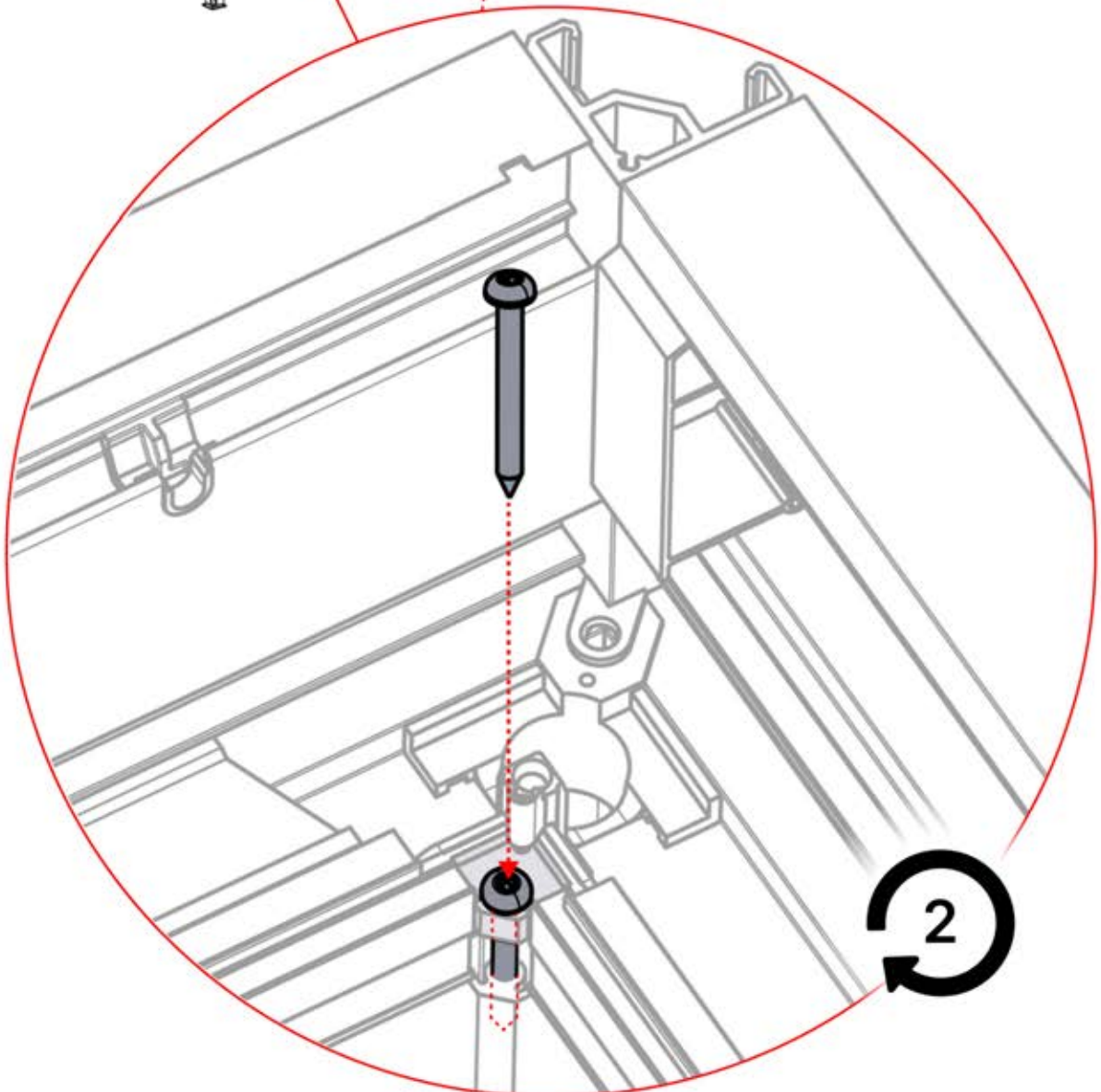
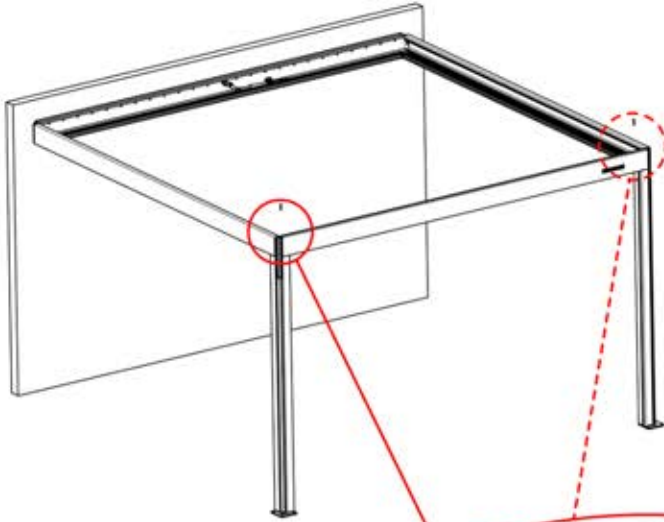
x7
PERGOLUX

4

ANTHRACITE: B245
WHITE: B253
BLACK: B249



PN-200000568
2x

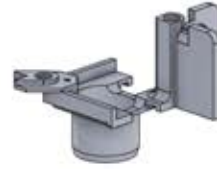


18



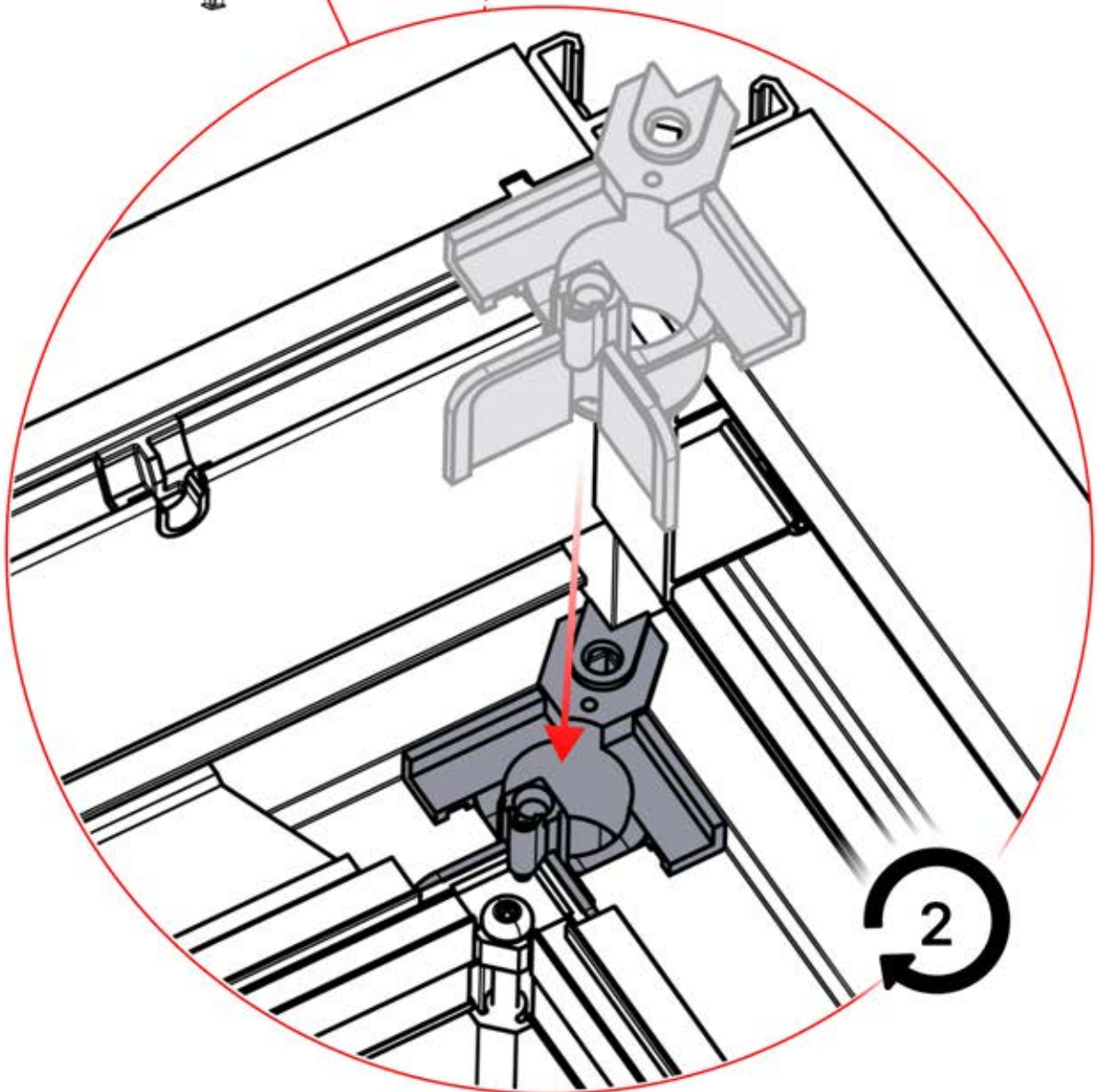
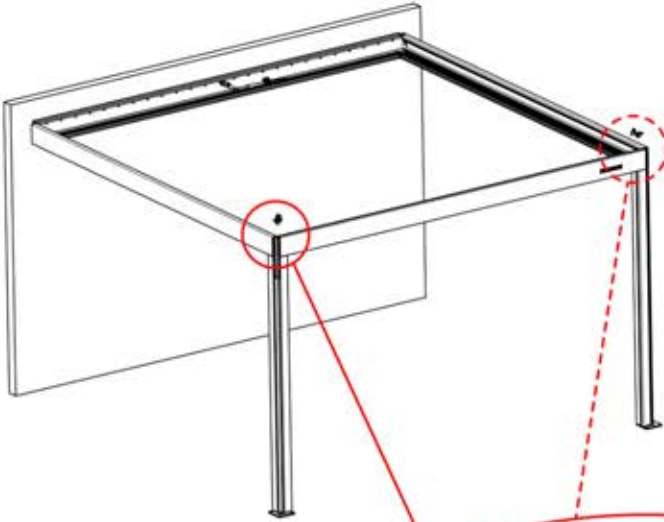
4

ANTHRACITE: B245
WHITE: B253
BLACK: B249



PN-200002617

2x



19

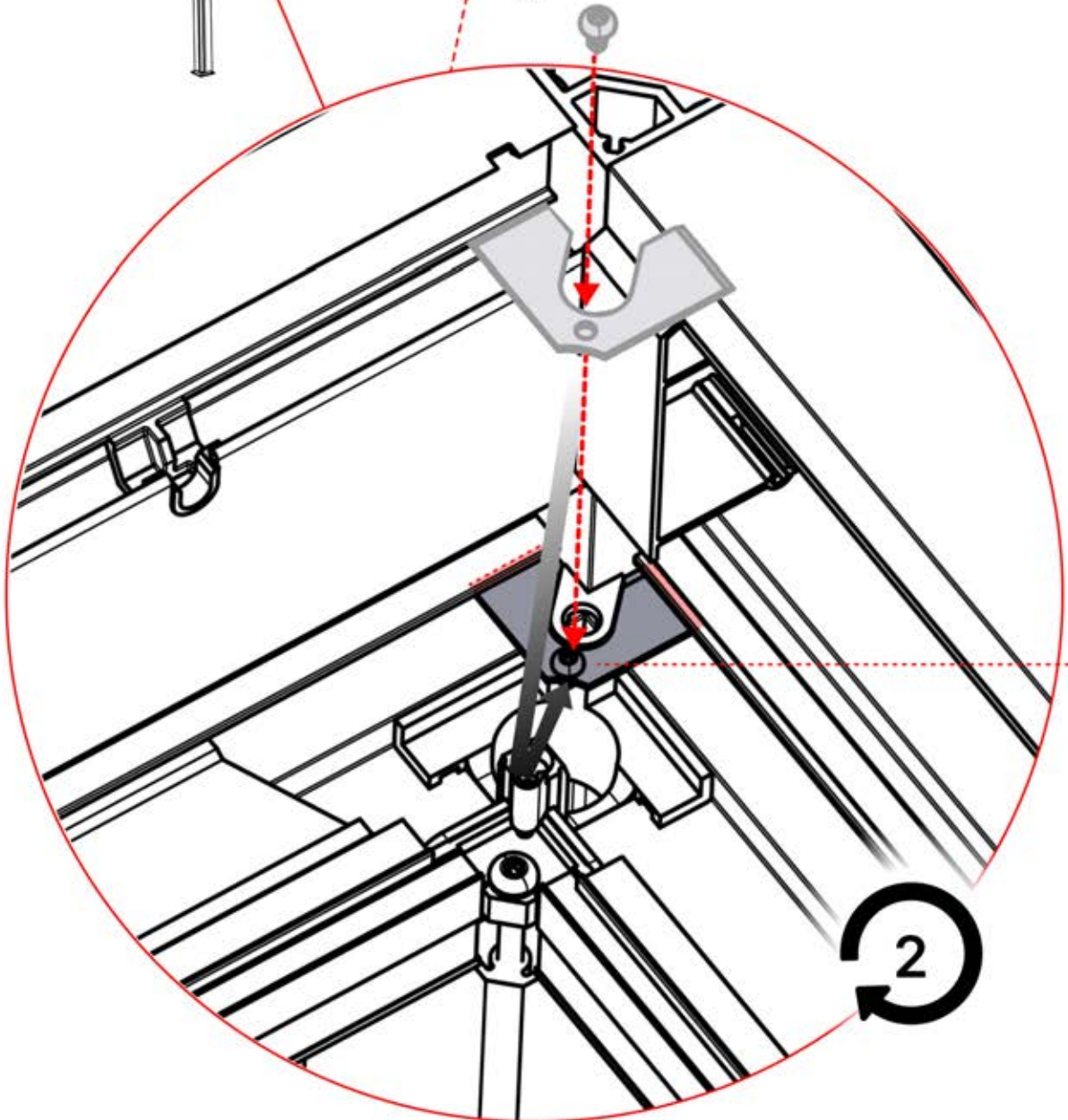
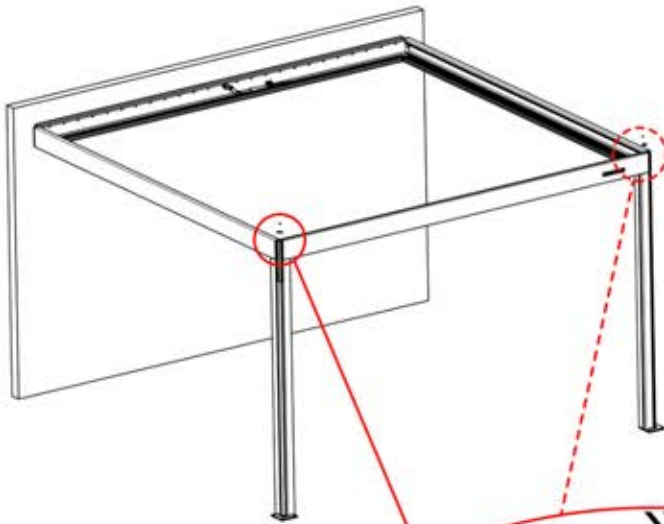
x1
FERGOLUX

4

ANTHRACITE: B245
WHITE: B253
BLACK: B249

PN-200002618
2x

PN-200000571
2x

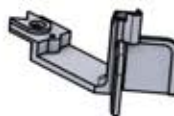


20



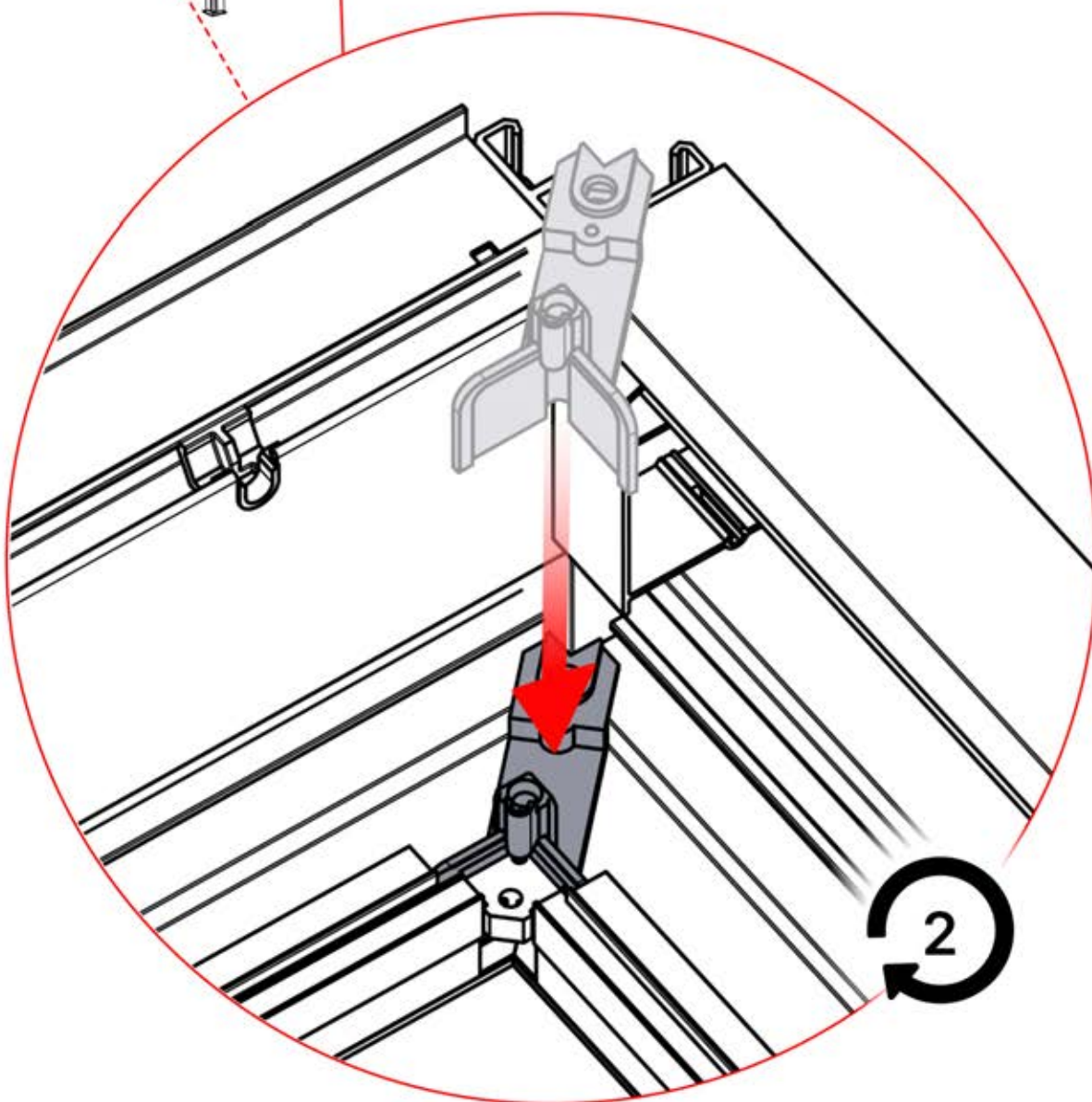
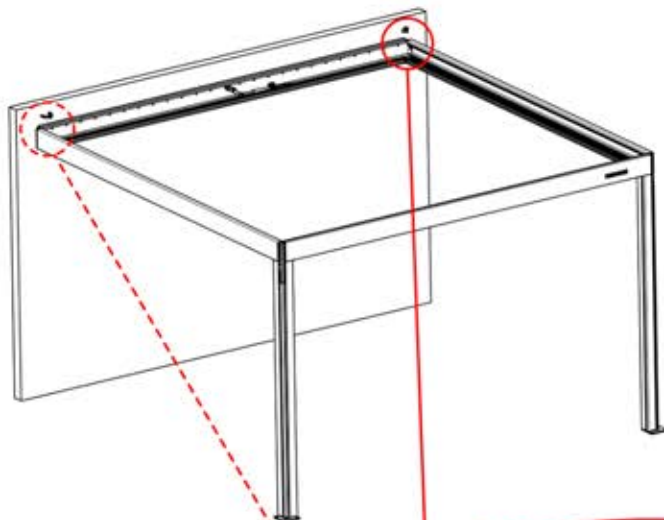
4

ANTHRACITE: B245
WHITE: B253
BLACK: B249



PN-200002792

2x



21



4

ANTHRACITE: B245
WHITE: B253
BLACK: B249



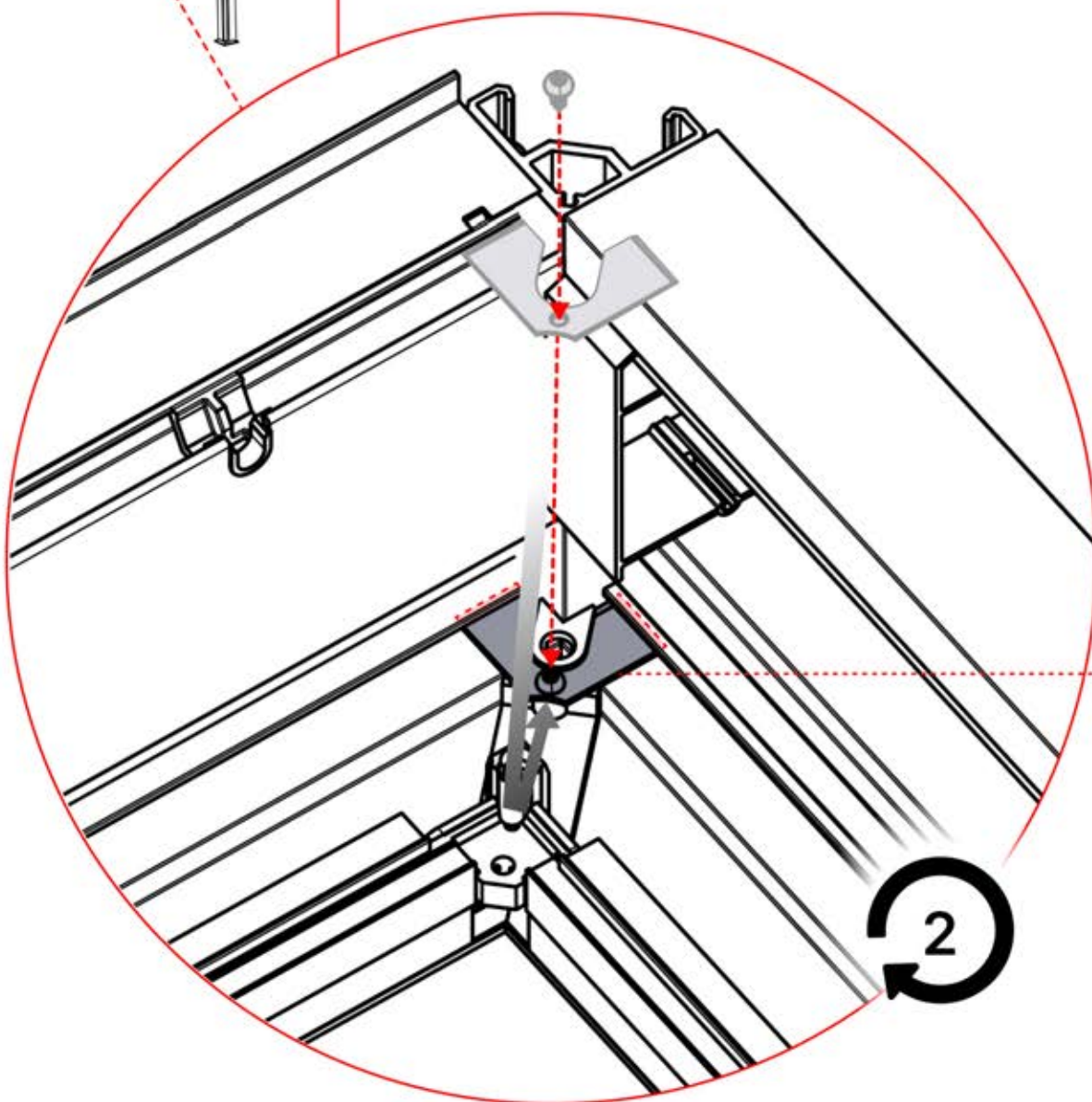
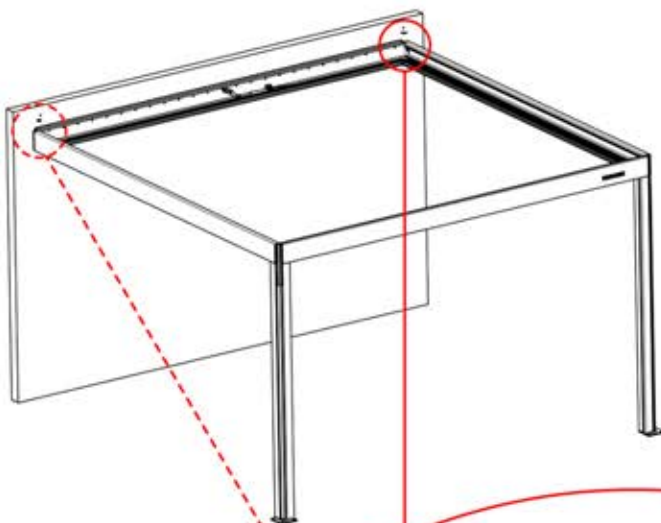
PN-200002618

2x



PN-200000571

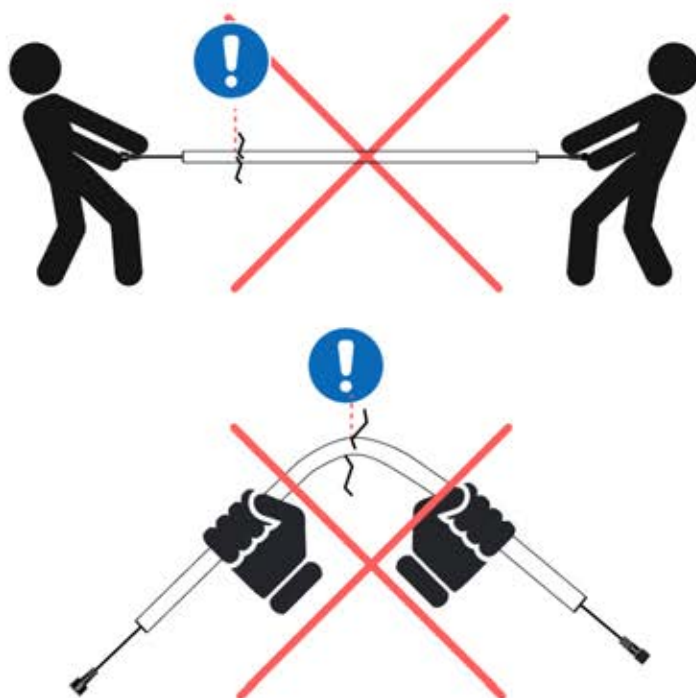
2x



IMPORTANT INFORMATION

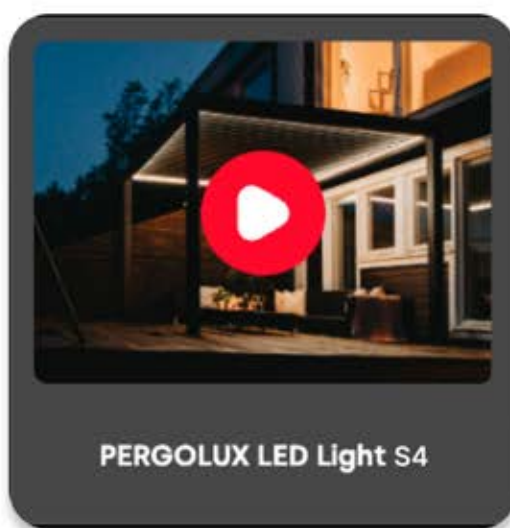
Handle with care.

When installing the light strip, do not pull or bend the wires on both sides with force, as this may cause the solder joints to fall off.

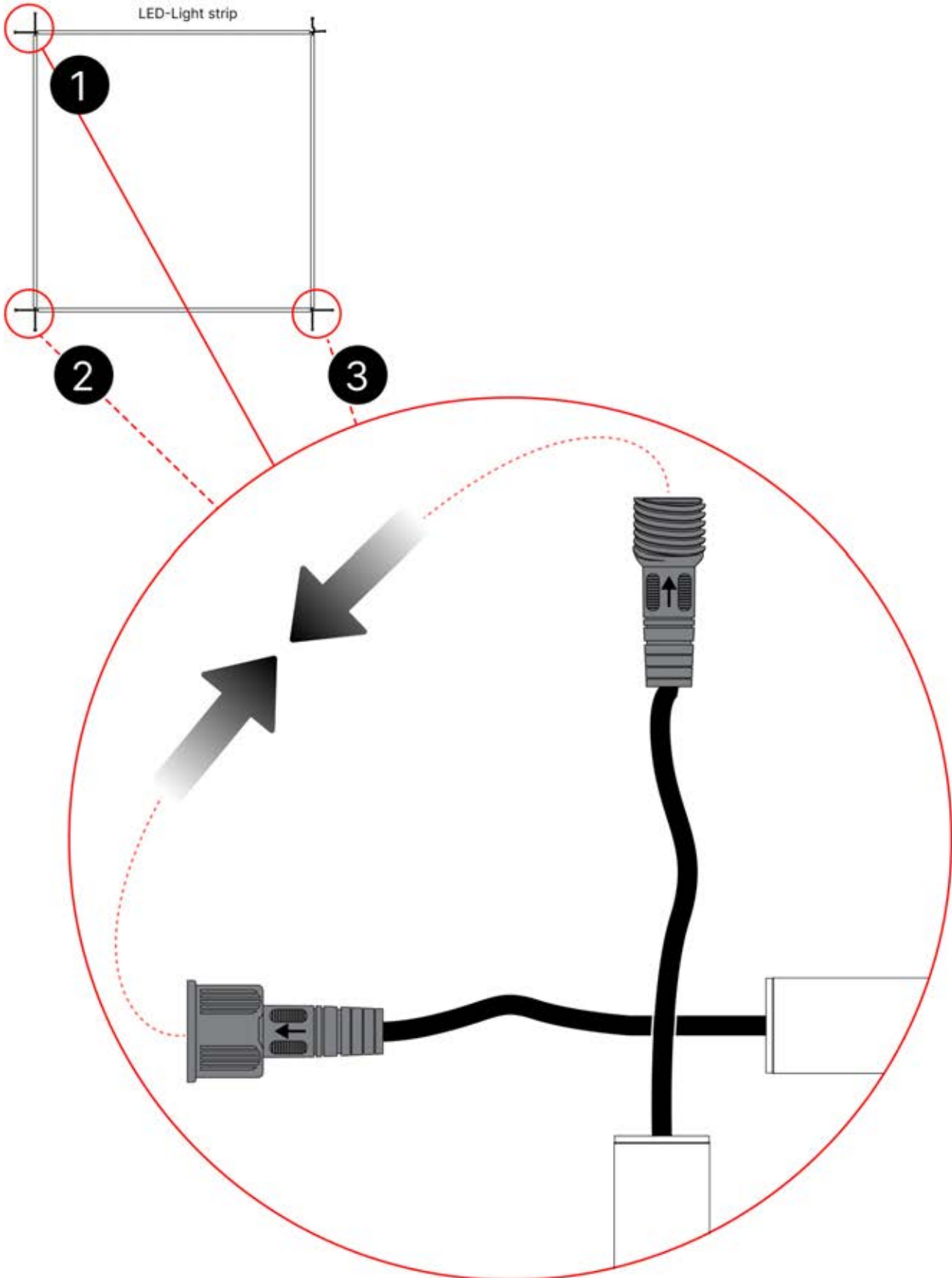


Important! Please watch all the videos before starting the assembly.

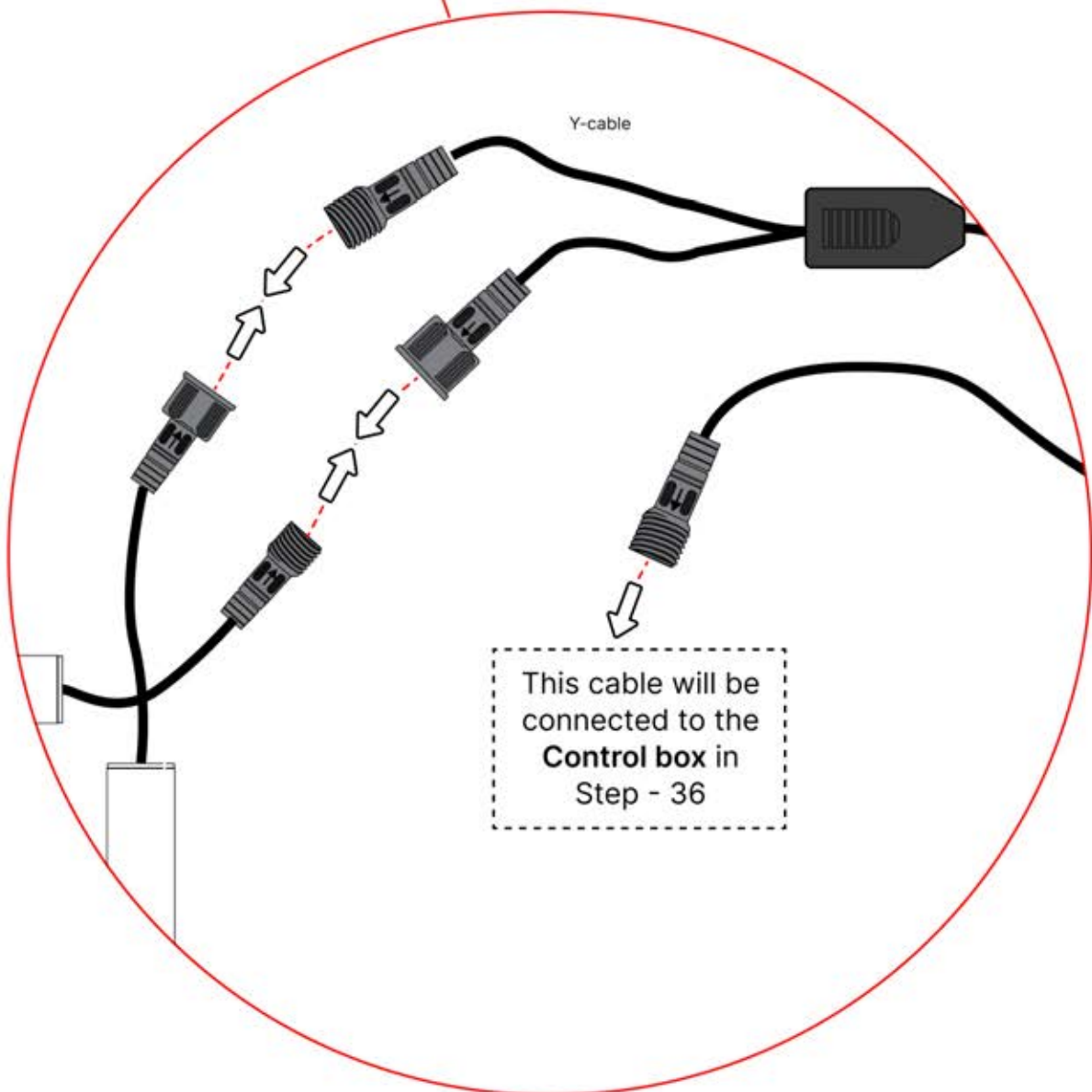
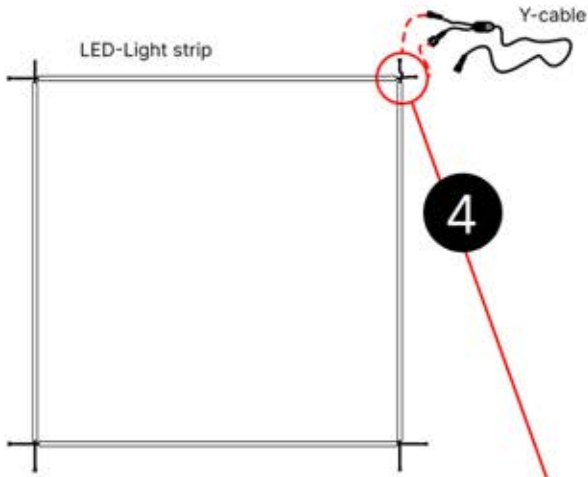
The videos contain important information relevant to the assembly process.



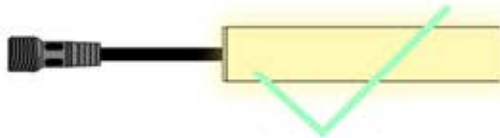
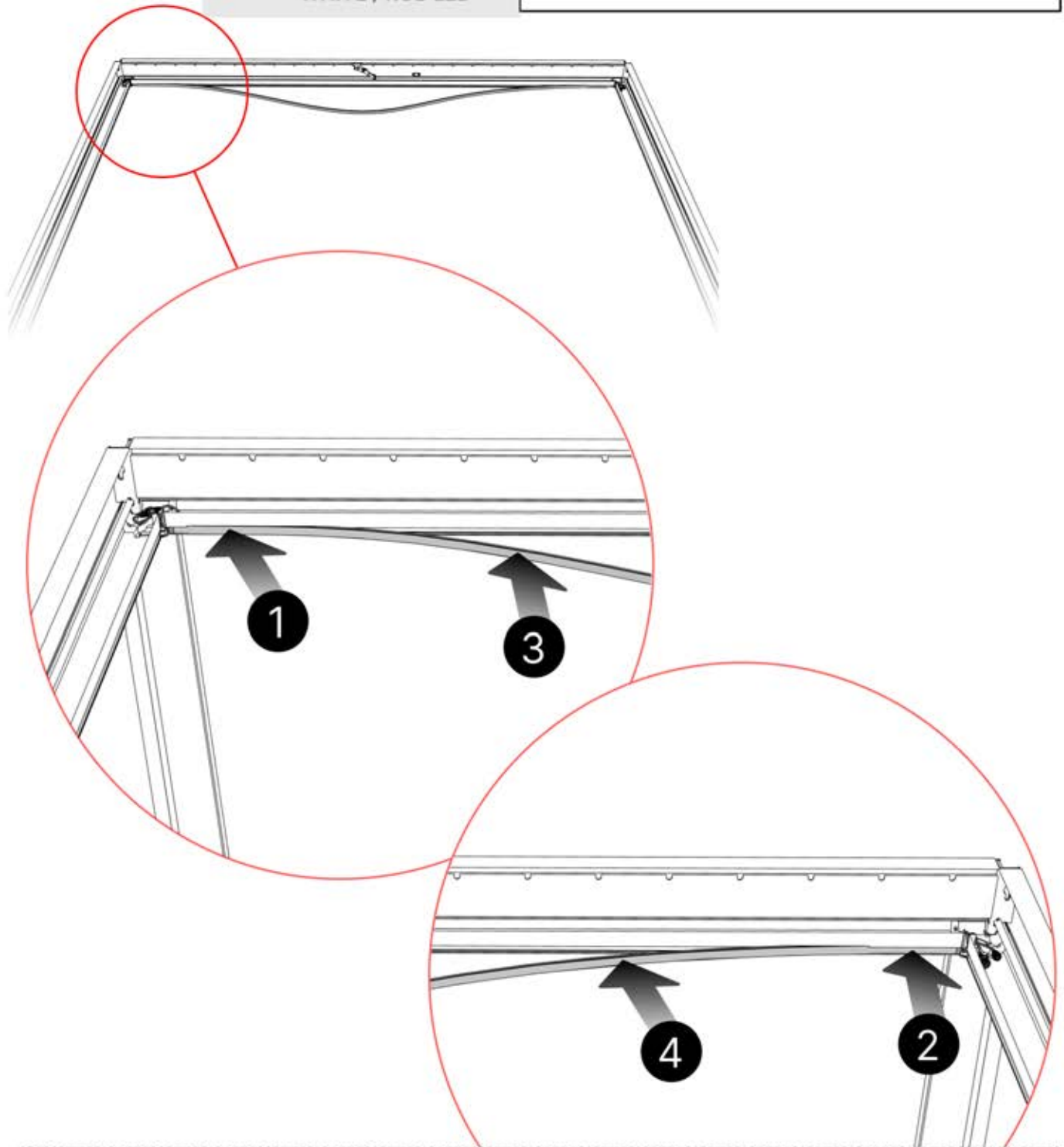
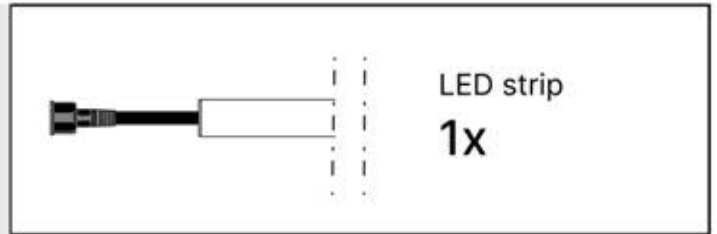
INFORMATION



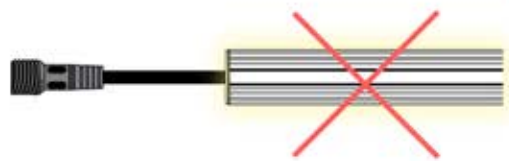
INFORMATION



22



This side is the front and should face outward

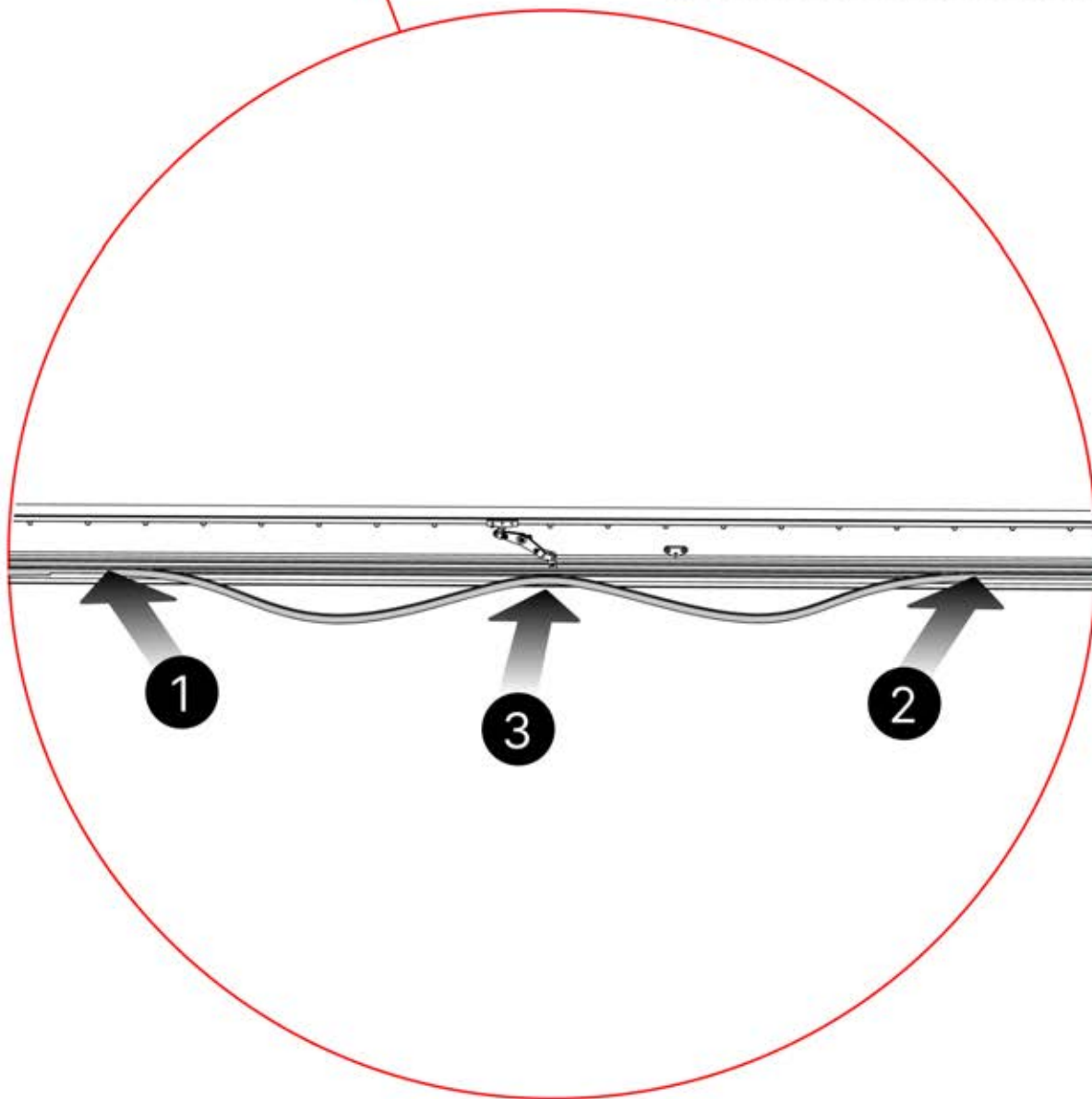
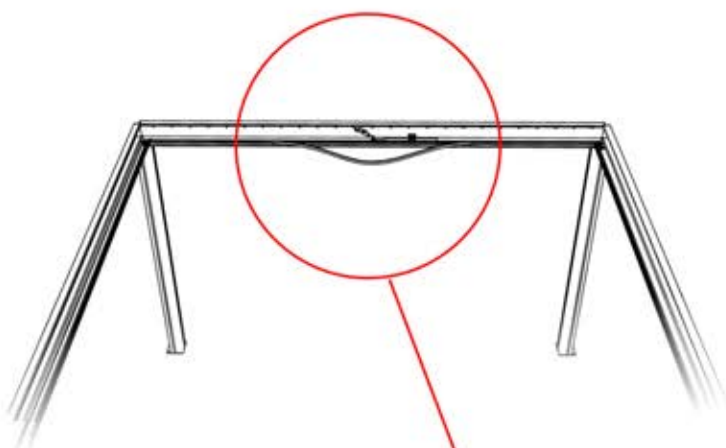


This side is the back and should be positioned to face the beam

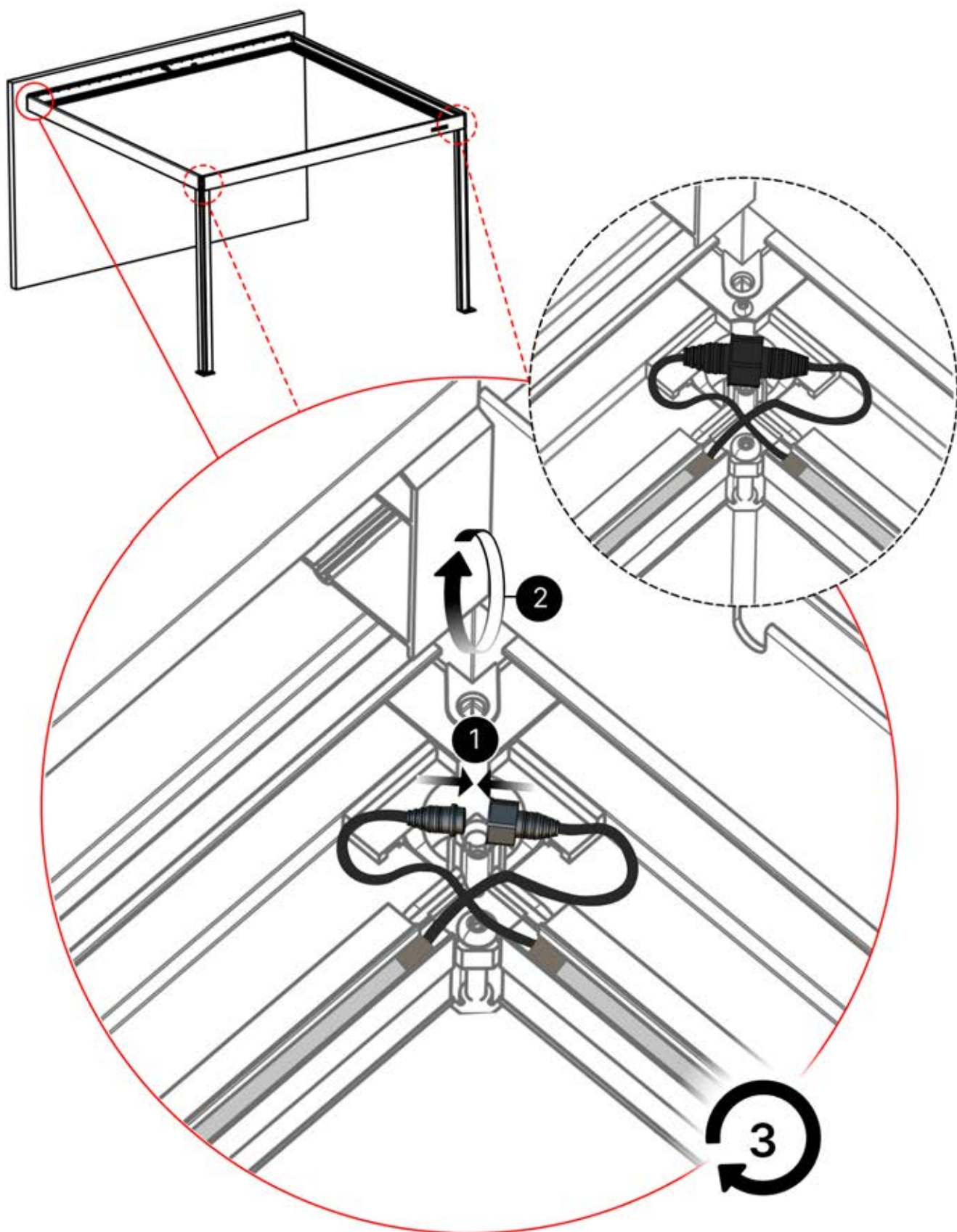
23



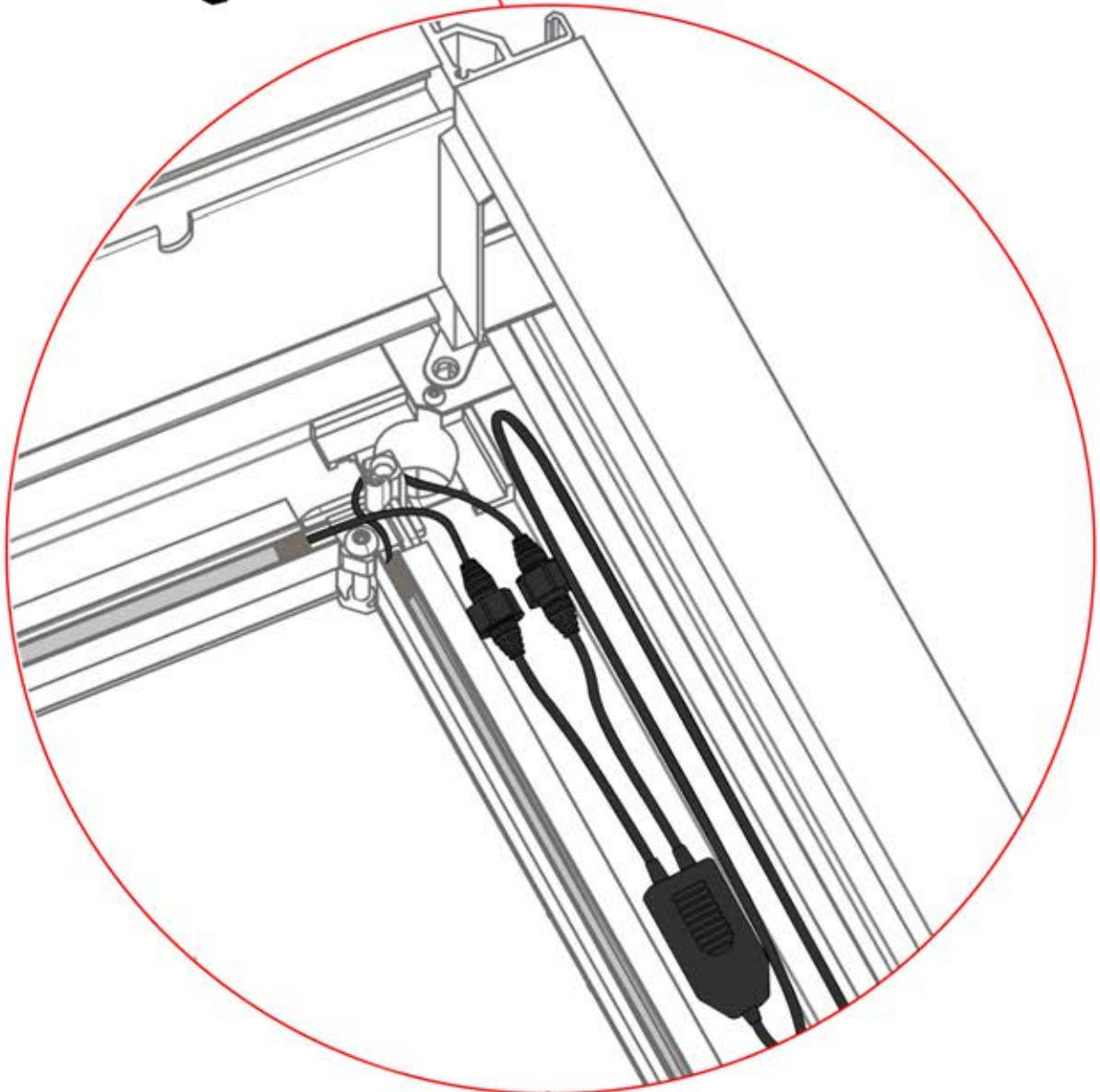
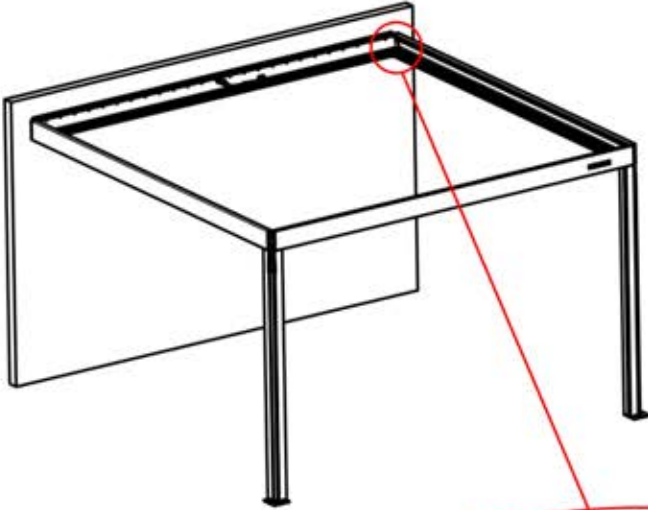
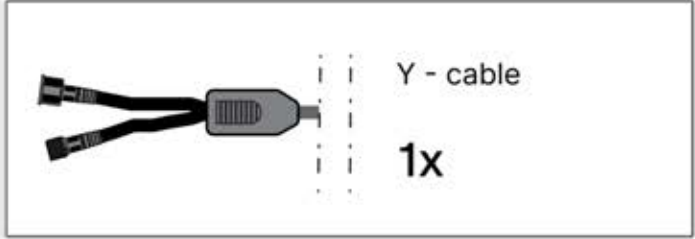
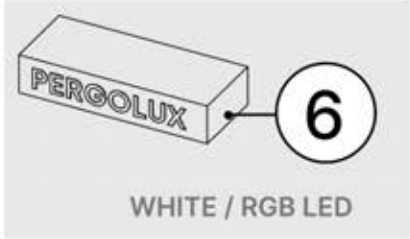
Tip: For a smoother LED installation, spray the track with soapy water before mounting.




24



25



26

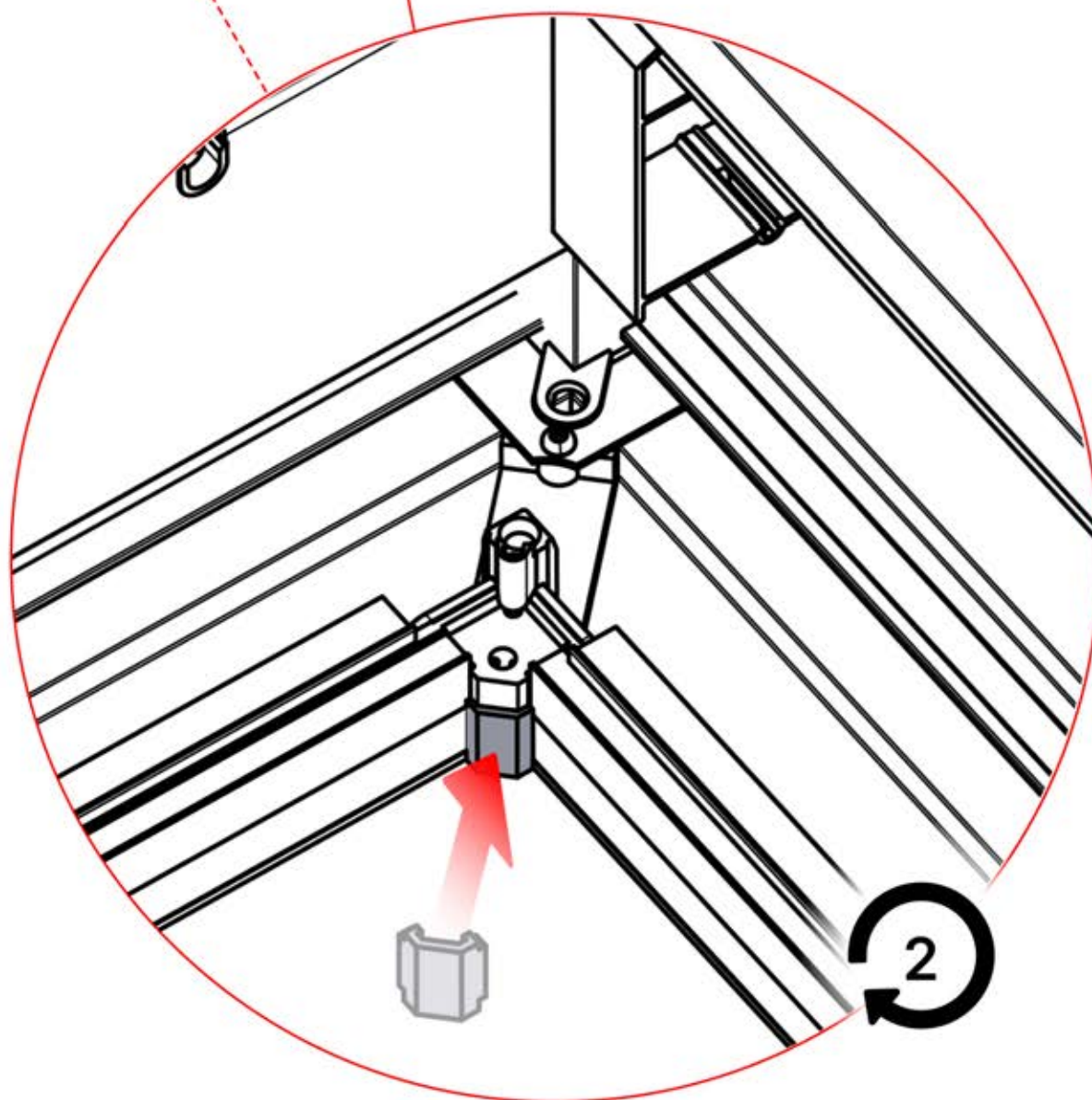
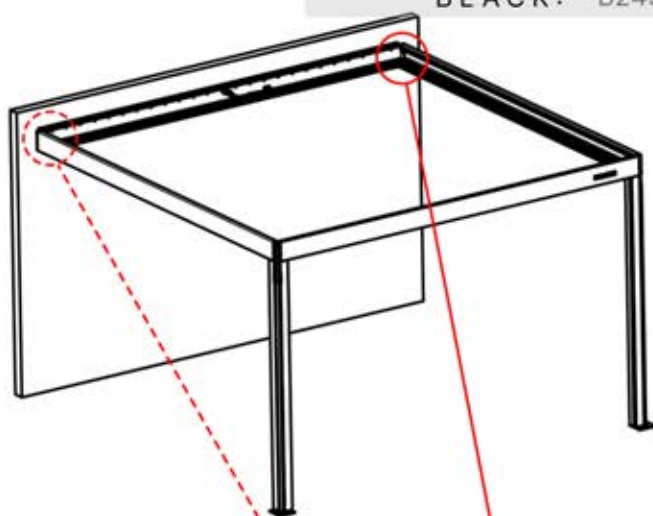
 **x7**

4

ANTHRACITE: B245
WHITE: B253
BLACK: B249



PN-200000516
2x

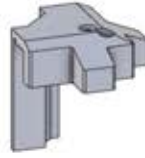


27



4

ANTHRACITE: B245
WHITE: B253
BLACK: B249



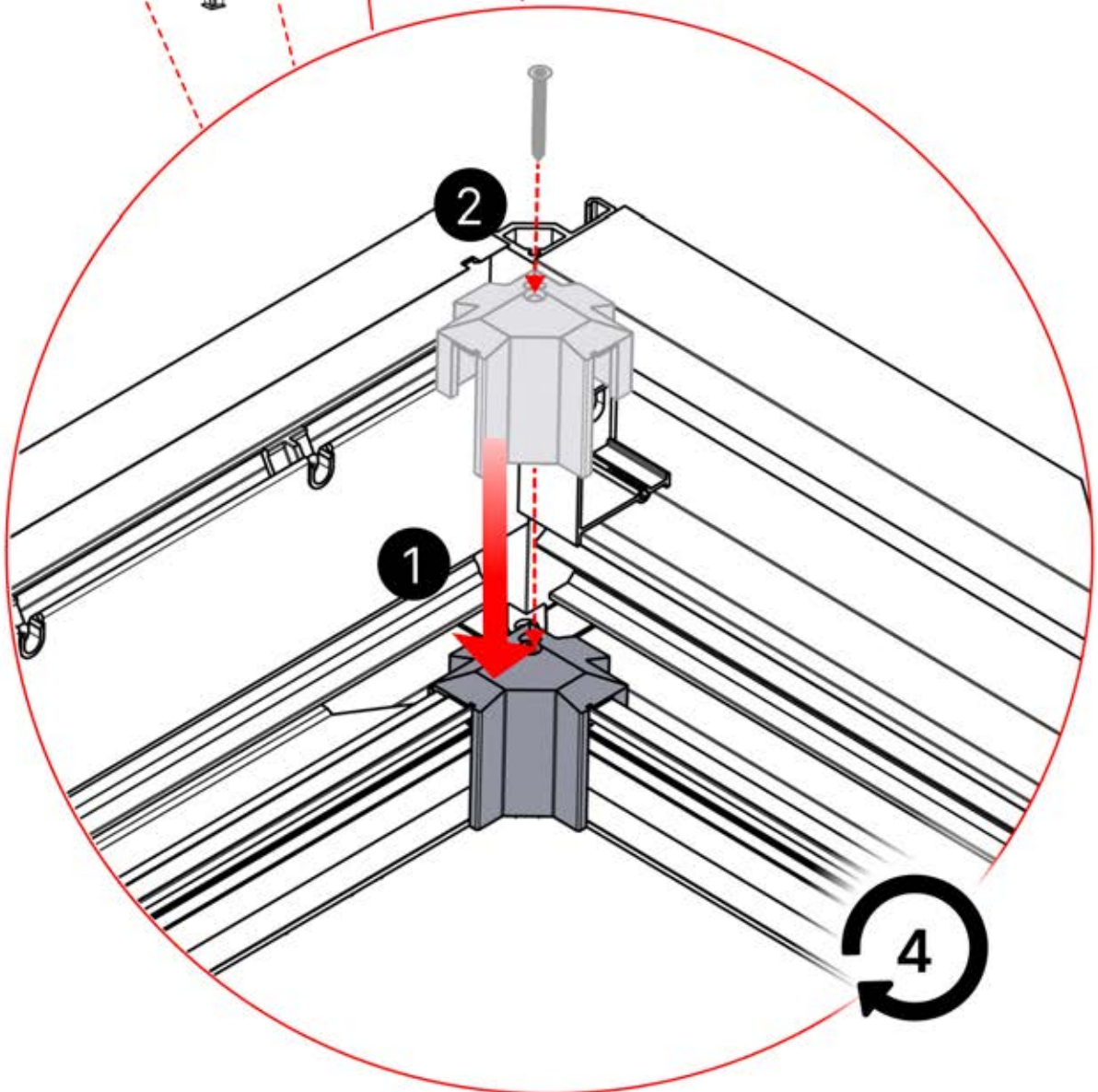
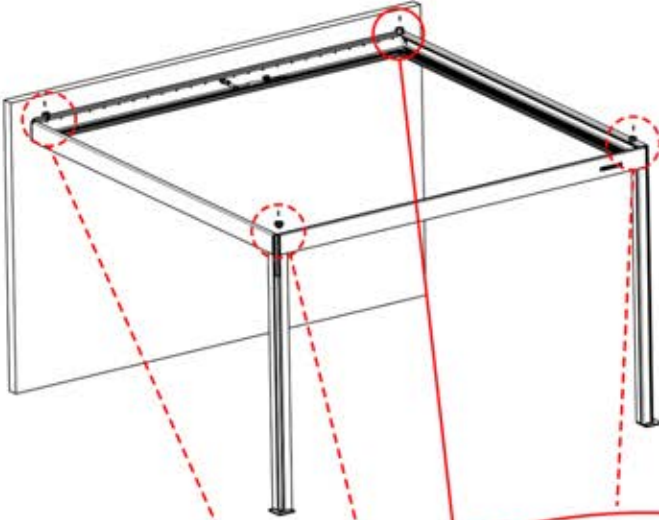
PN-200002625

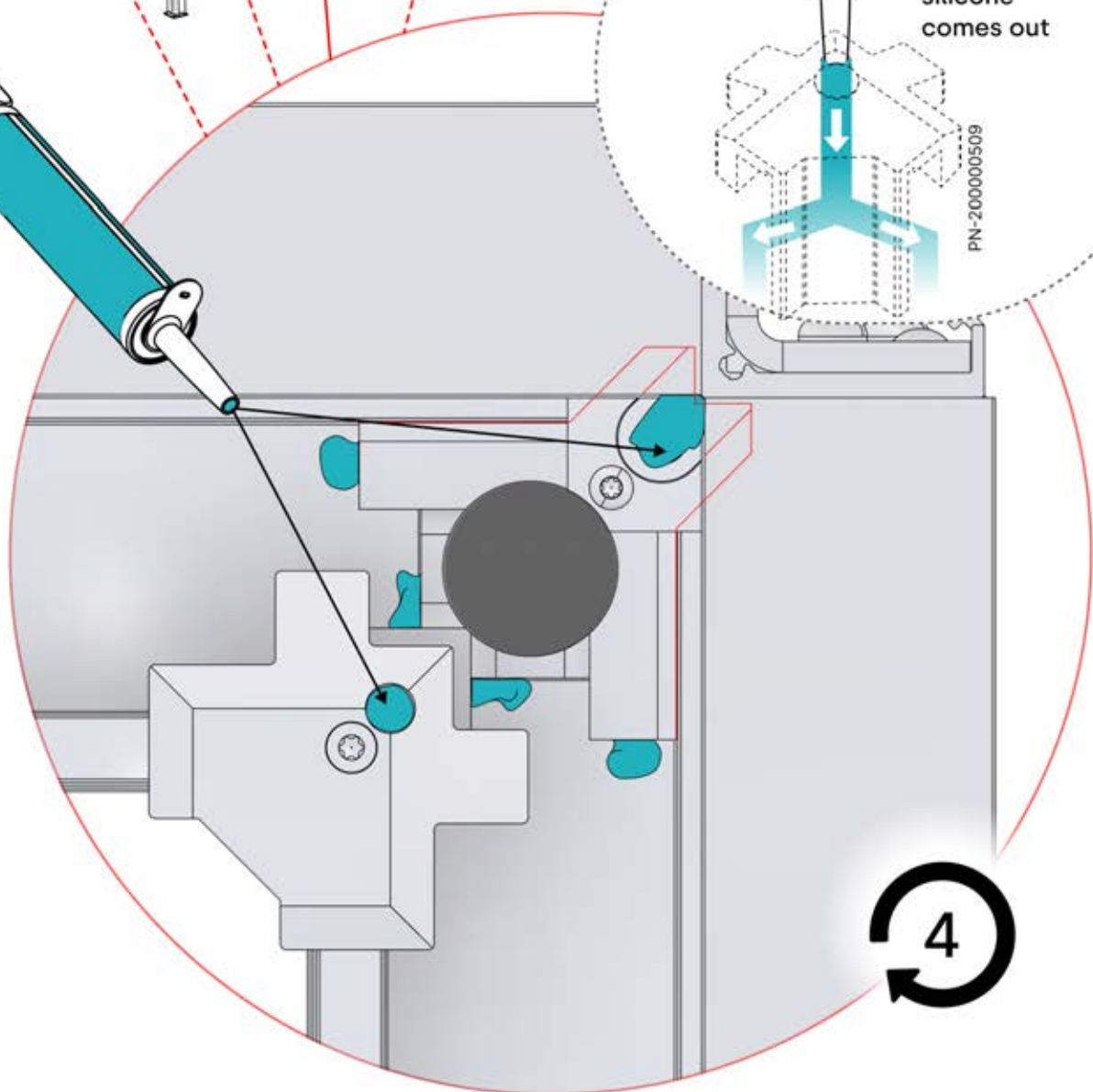
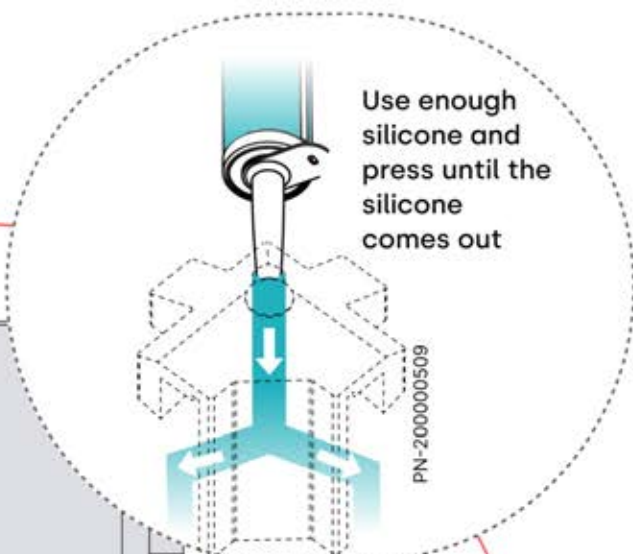
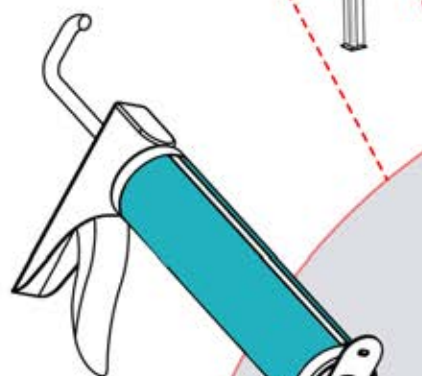
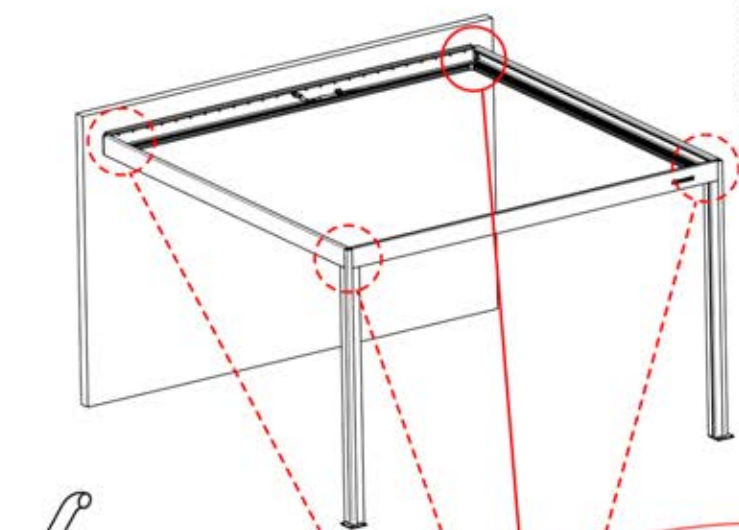
4x

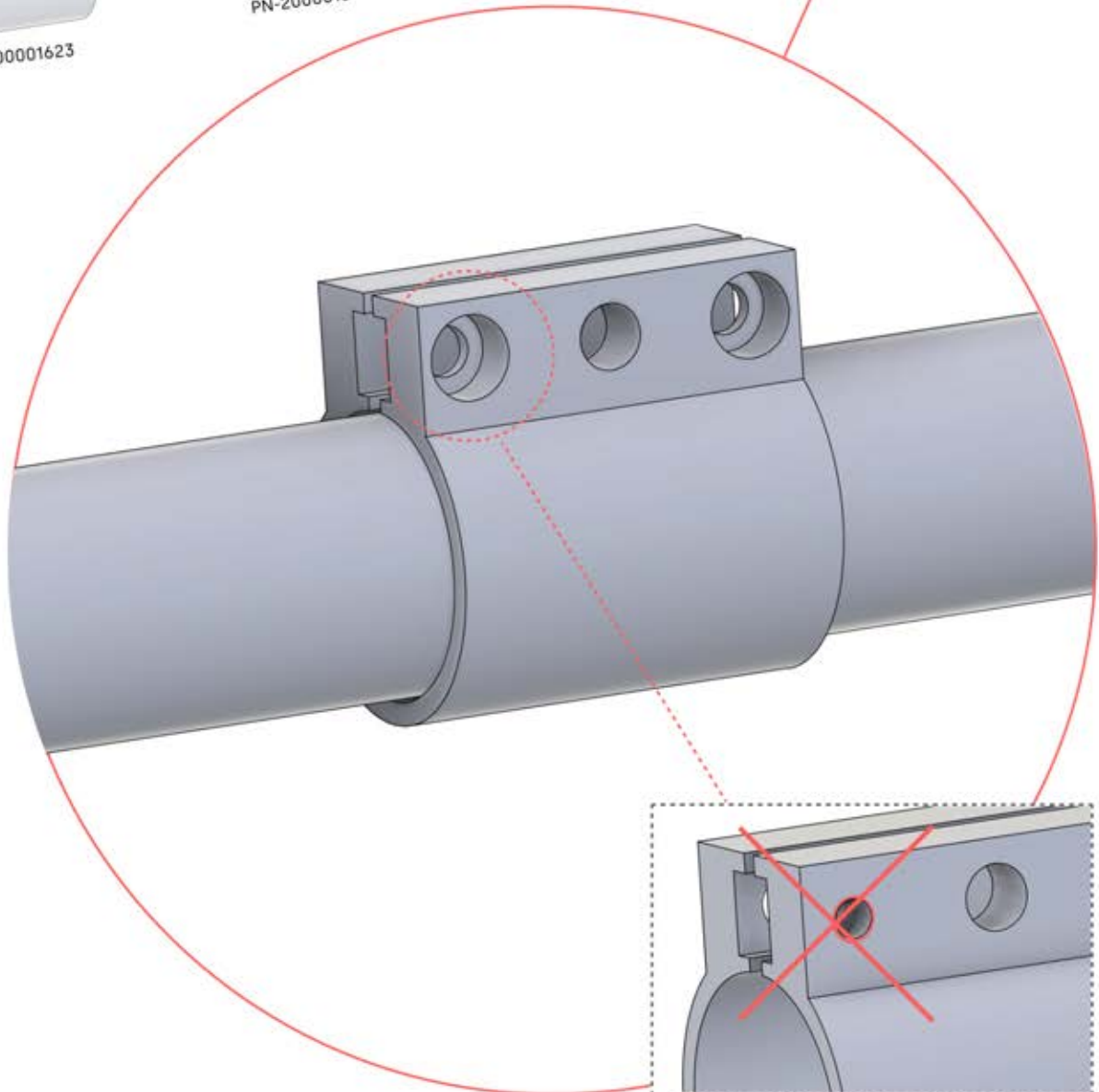
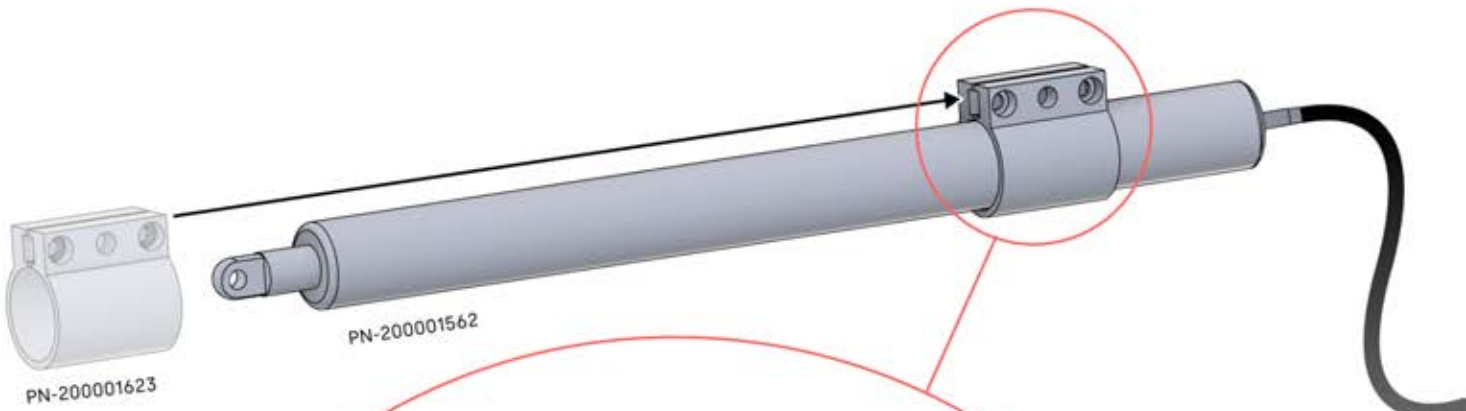
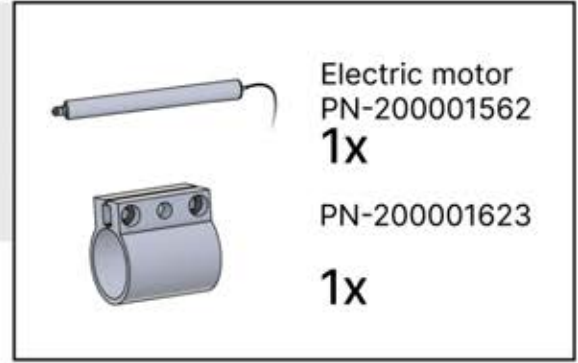
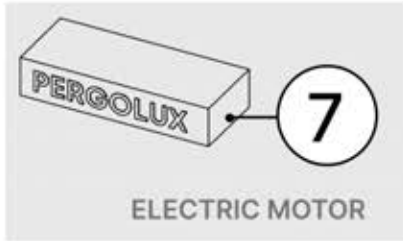


PN-200000960

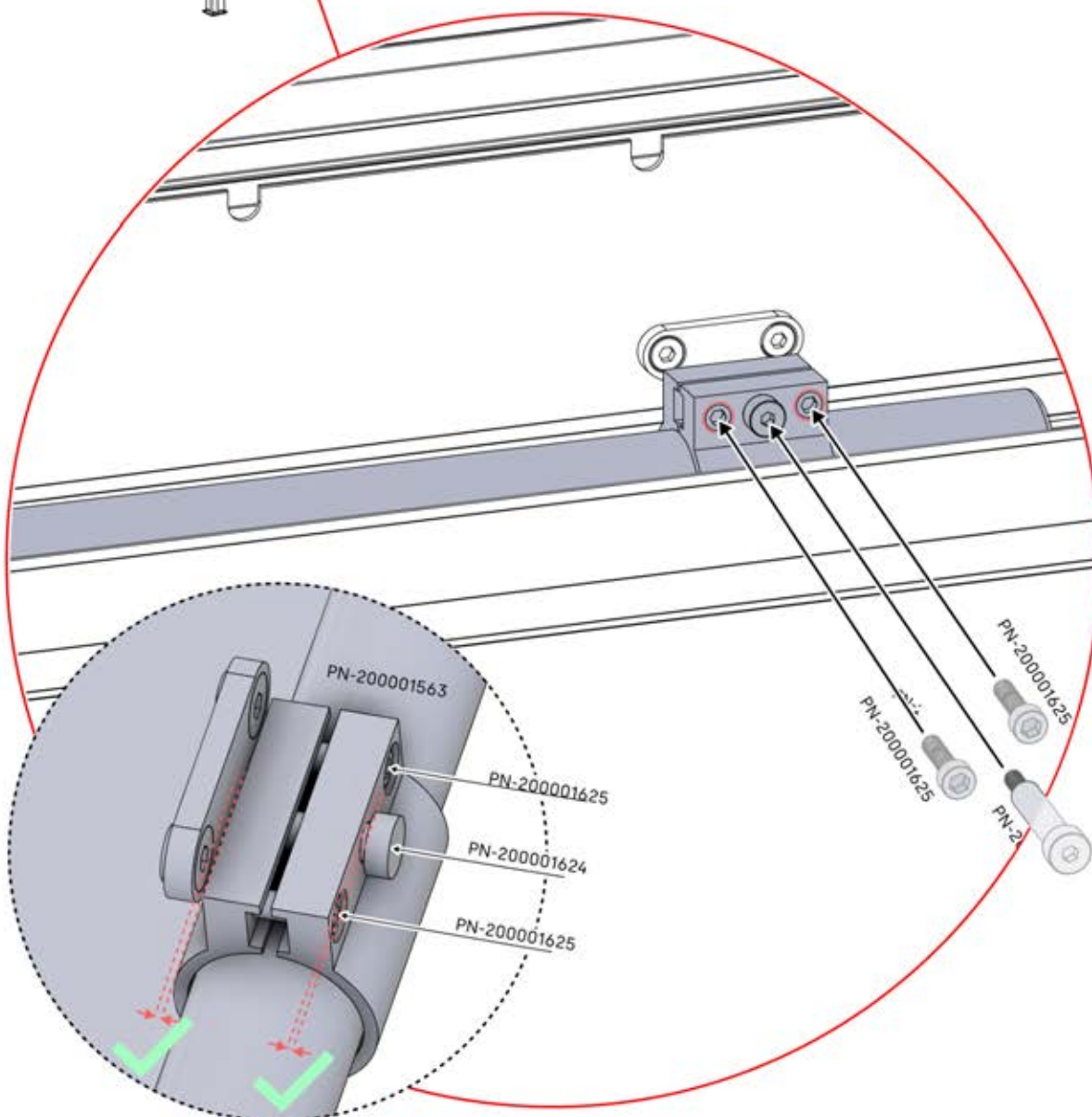
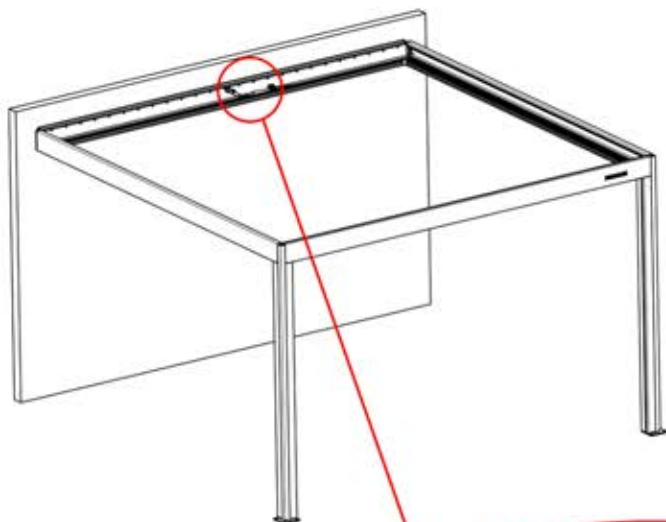
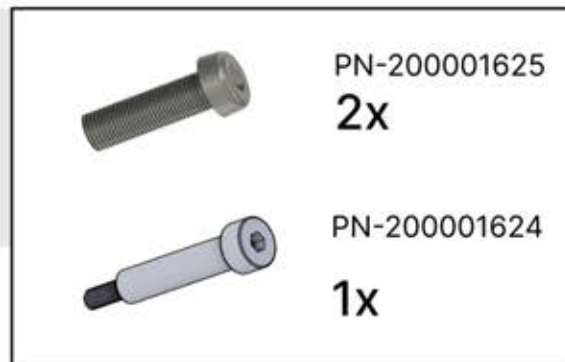
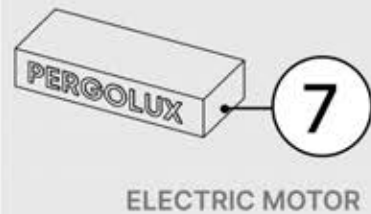
4x







30



31



4

ANTHRACITE: B233
WHITE: B241
BLACK: B237



PN-200003372
1x



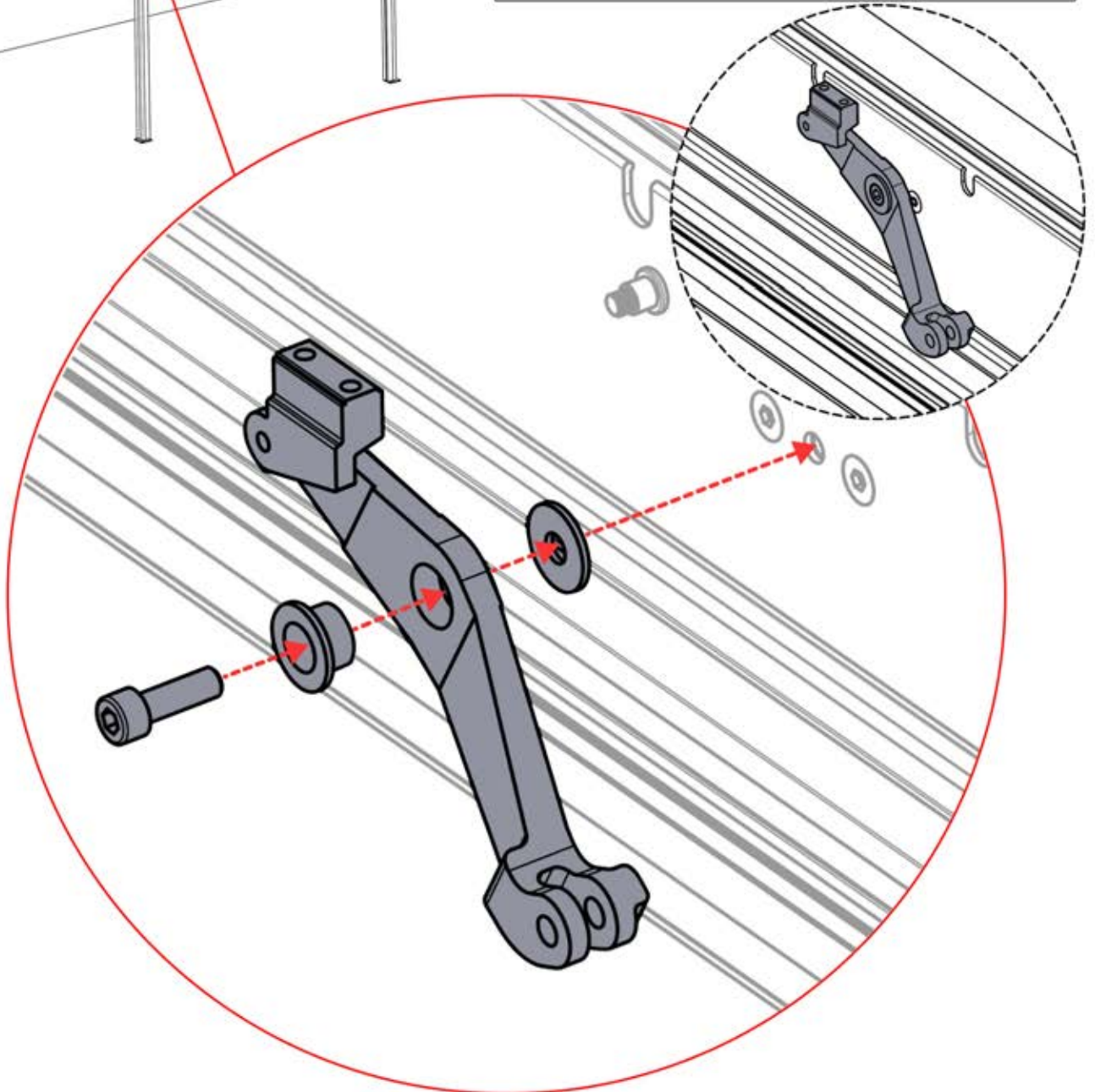
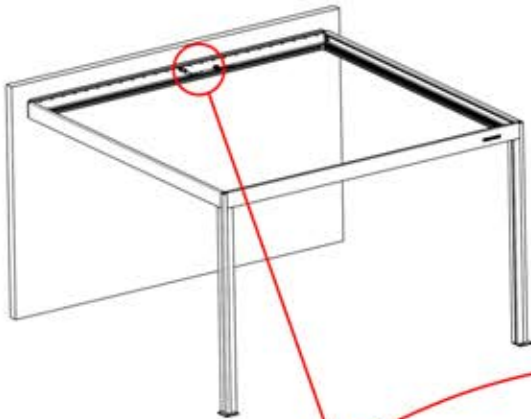
PN-20000502
1x




PN-200003373
1x



PN-20000561
1x




32




7

ELECTRIC MOTOR




4

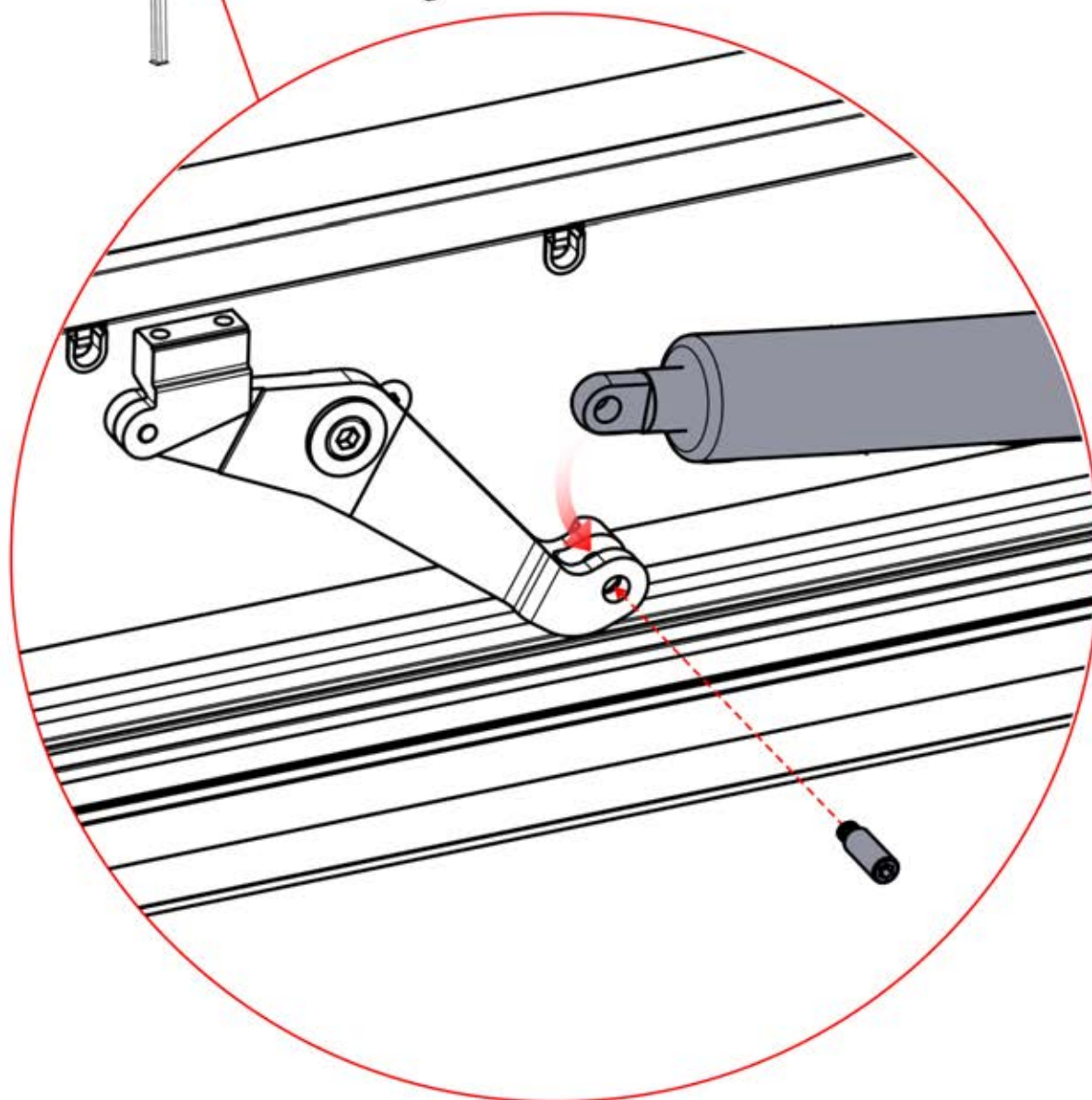
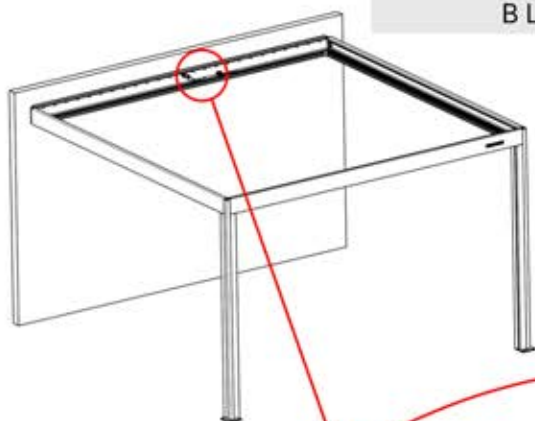
ANTHRACITE: B233
WHITE: B241
BLACK: B237



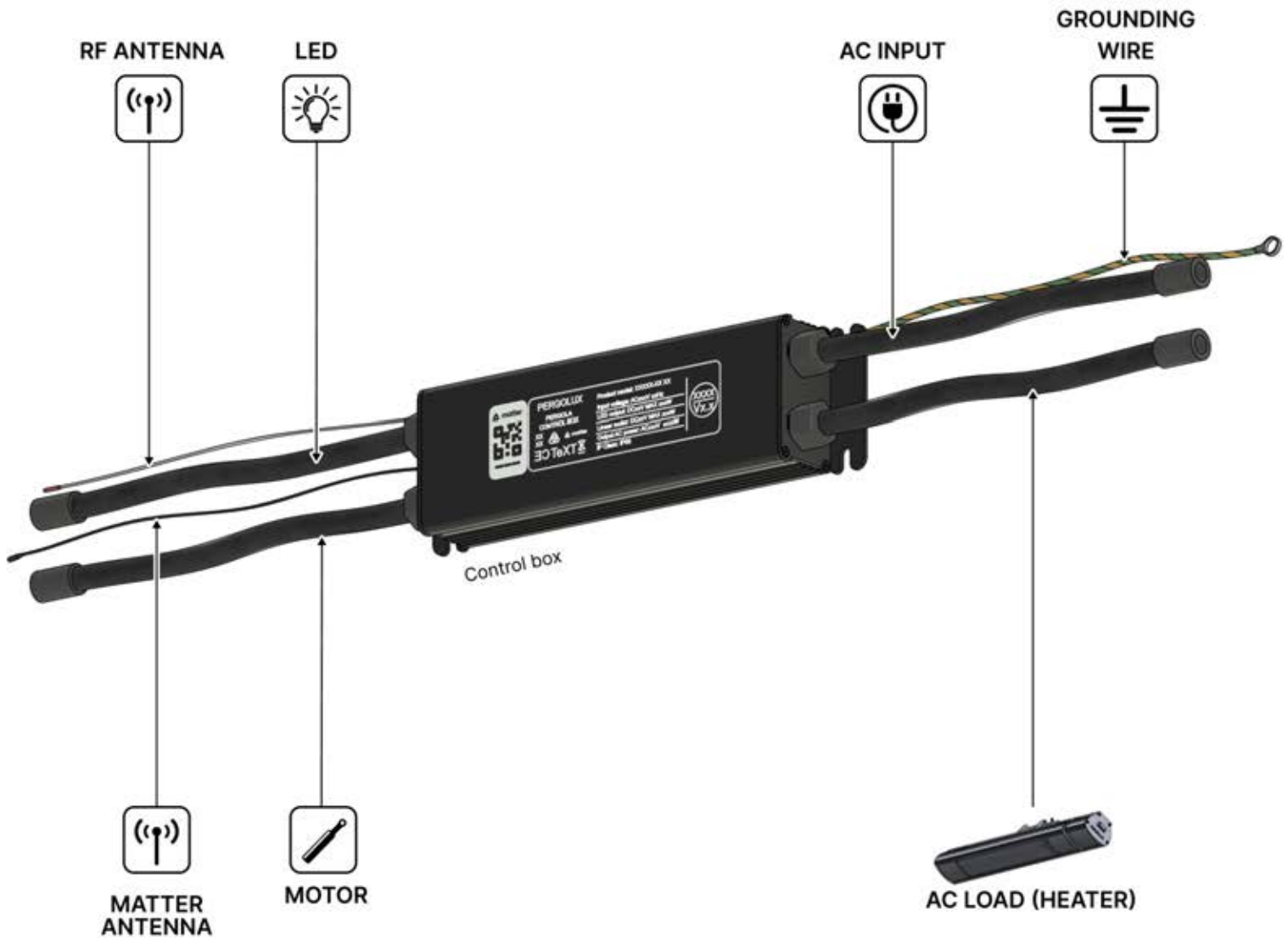
PN-200001562
1x



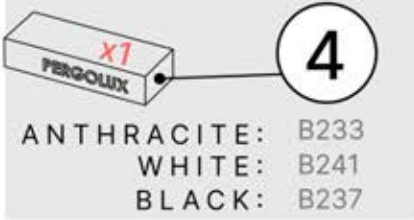
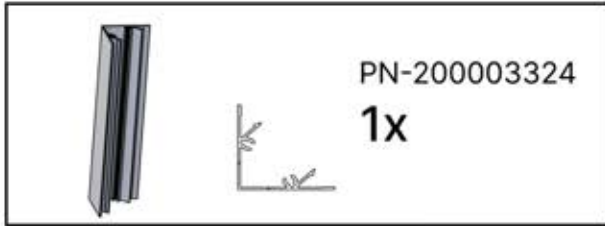
PN-200001946
1x



INPUTS AND OUTPUTS

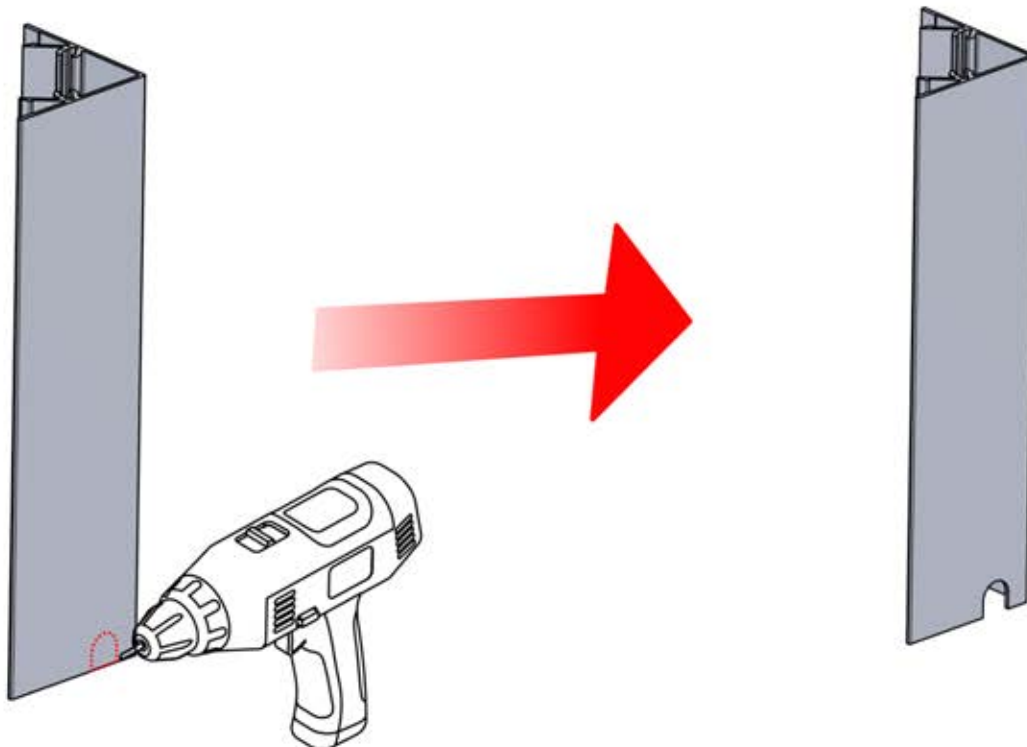


INFORMATION

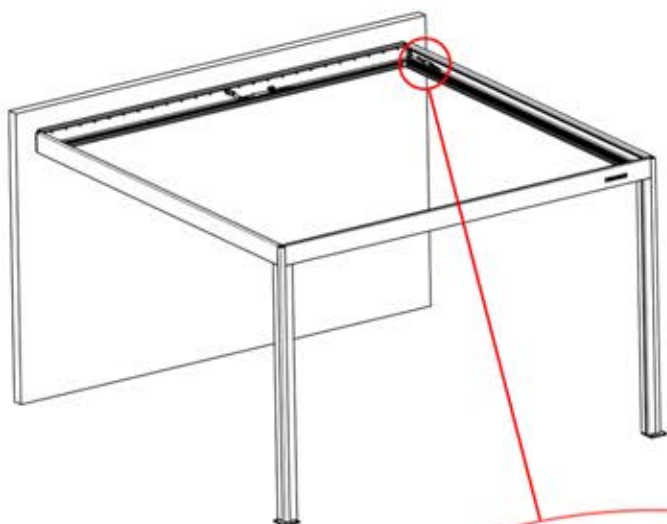
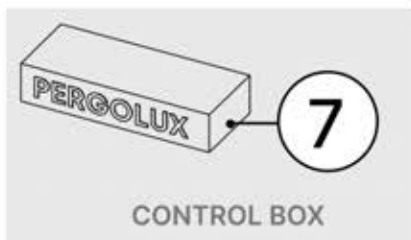


If you are planning to route the power cable through the rear corners, drill a **10 mm** diameter hole in the corner cover (**PN-200003324**) as illustrated. This allows the cable to pass through during installation in step 58.

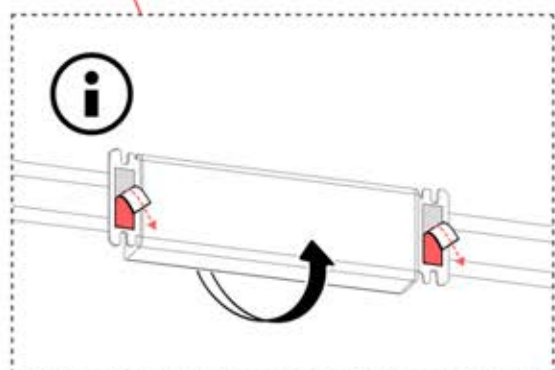
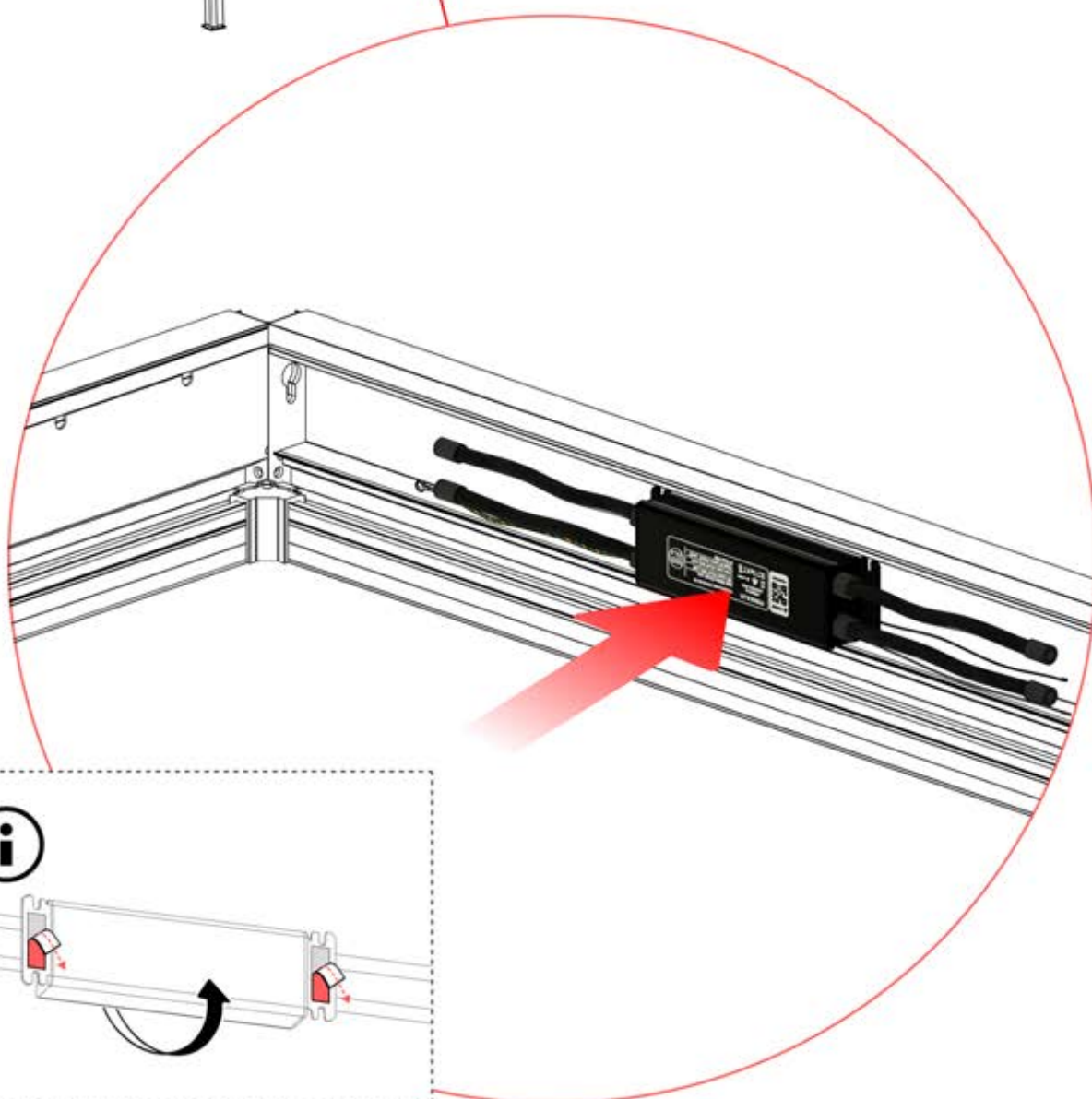
Note: The illustration shows the hole location for a right-corner assembly; if routing from the left corner, drill the hole on the opposite side.




33

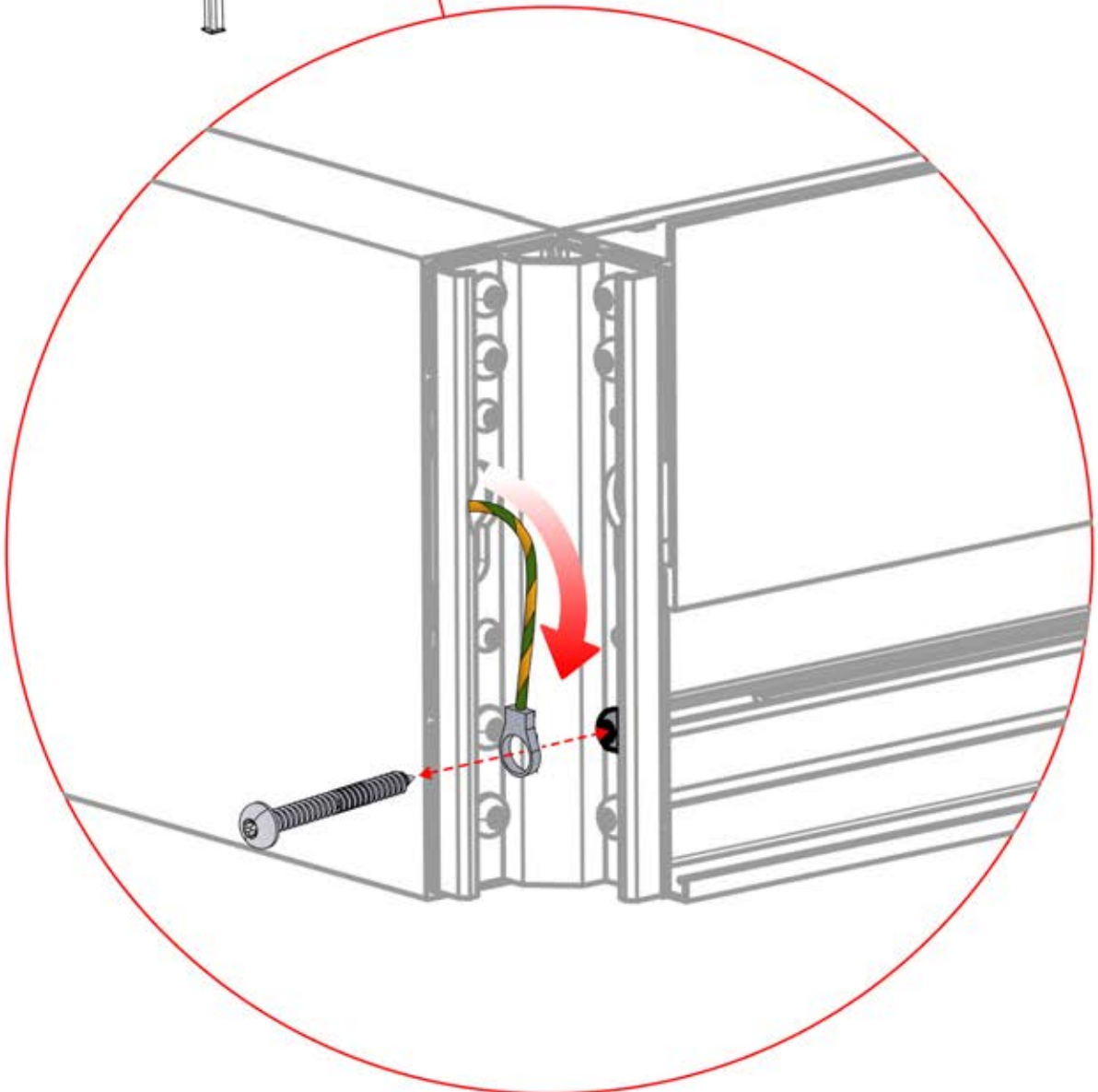
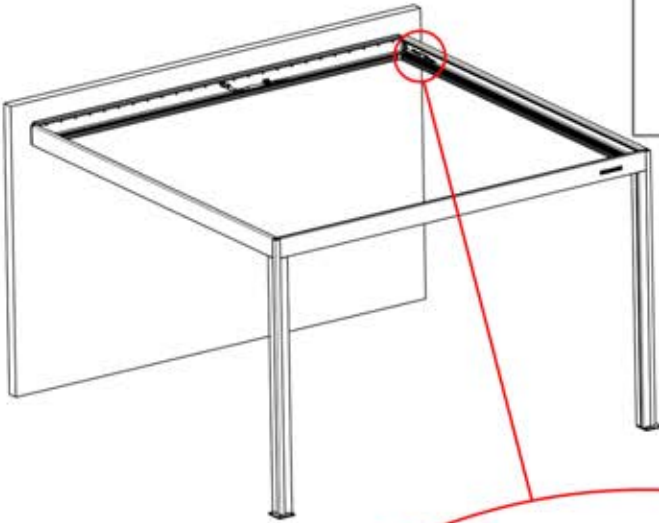



!
Control Box can be
installed on
Preferred W BEAM

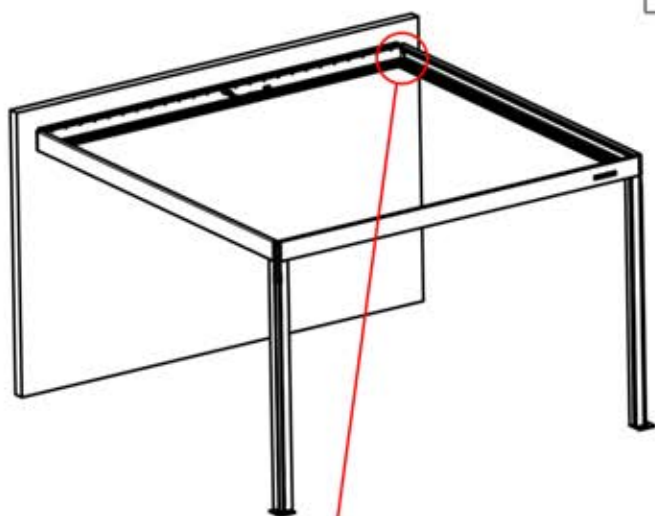
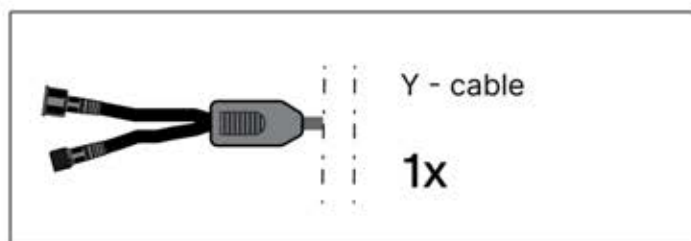


34

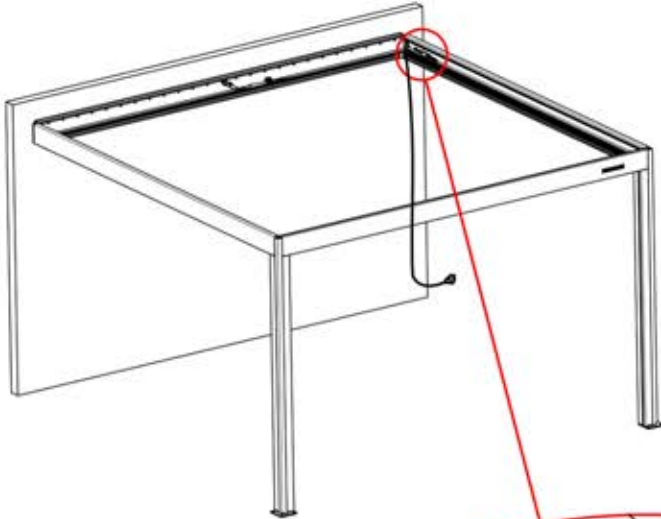
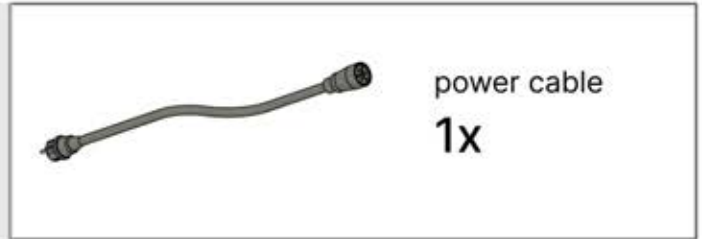
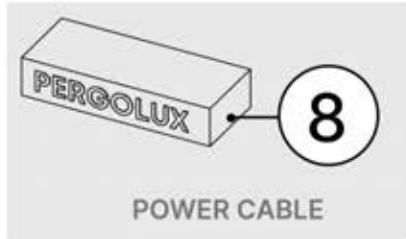
 **Connect grounding wire before connecting to power!**



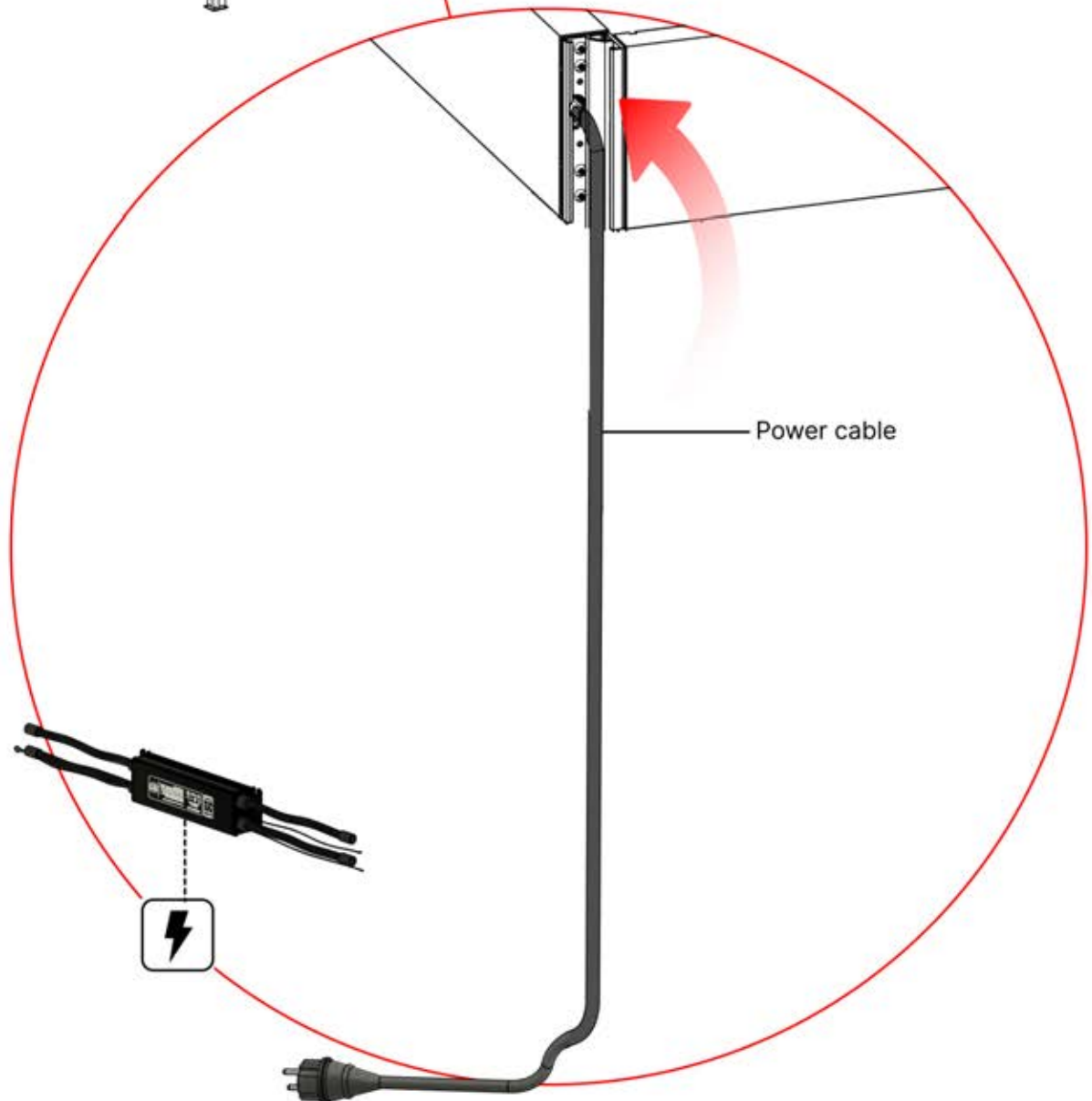
35



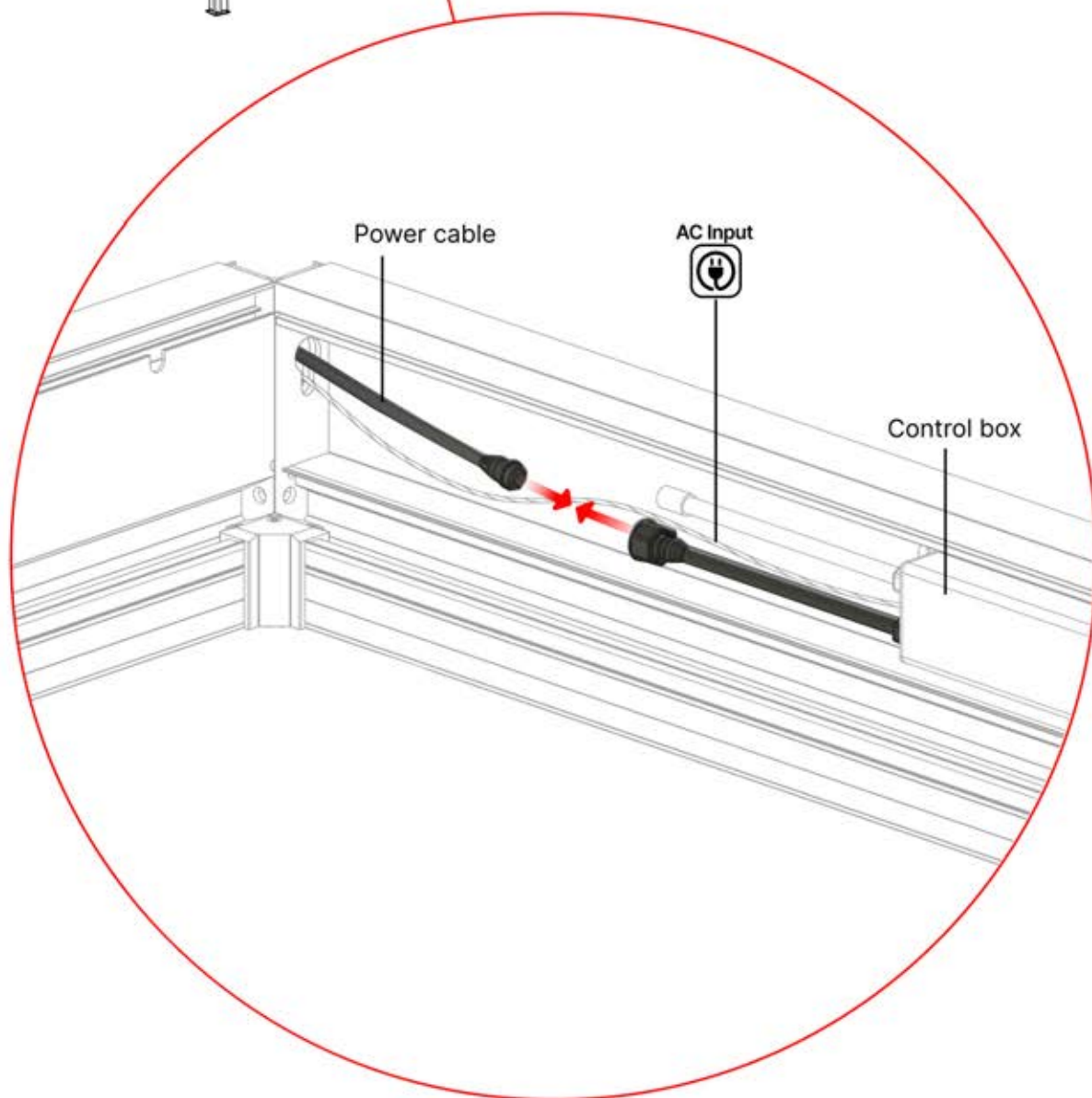
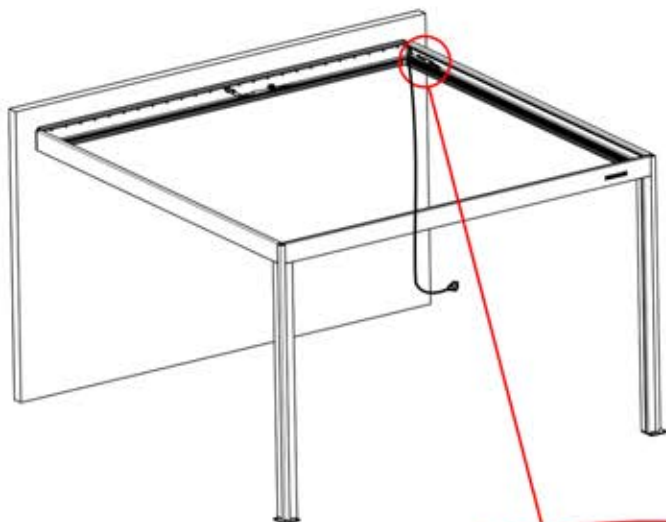
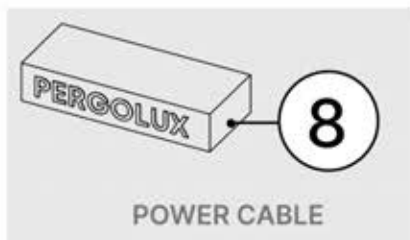
36



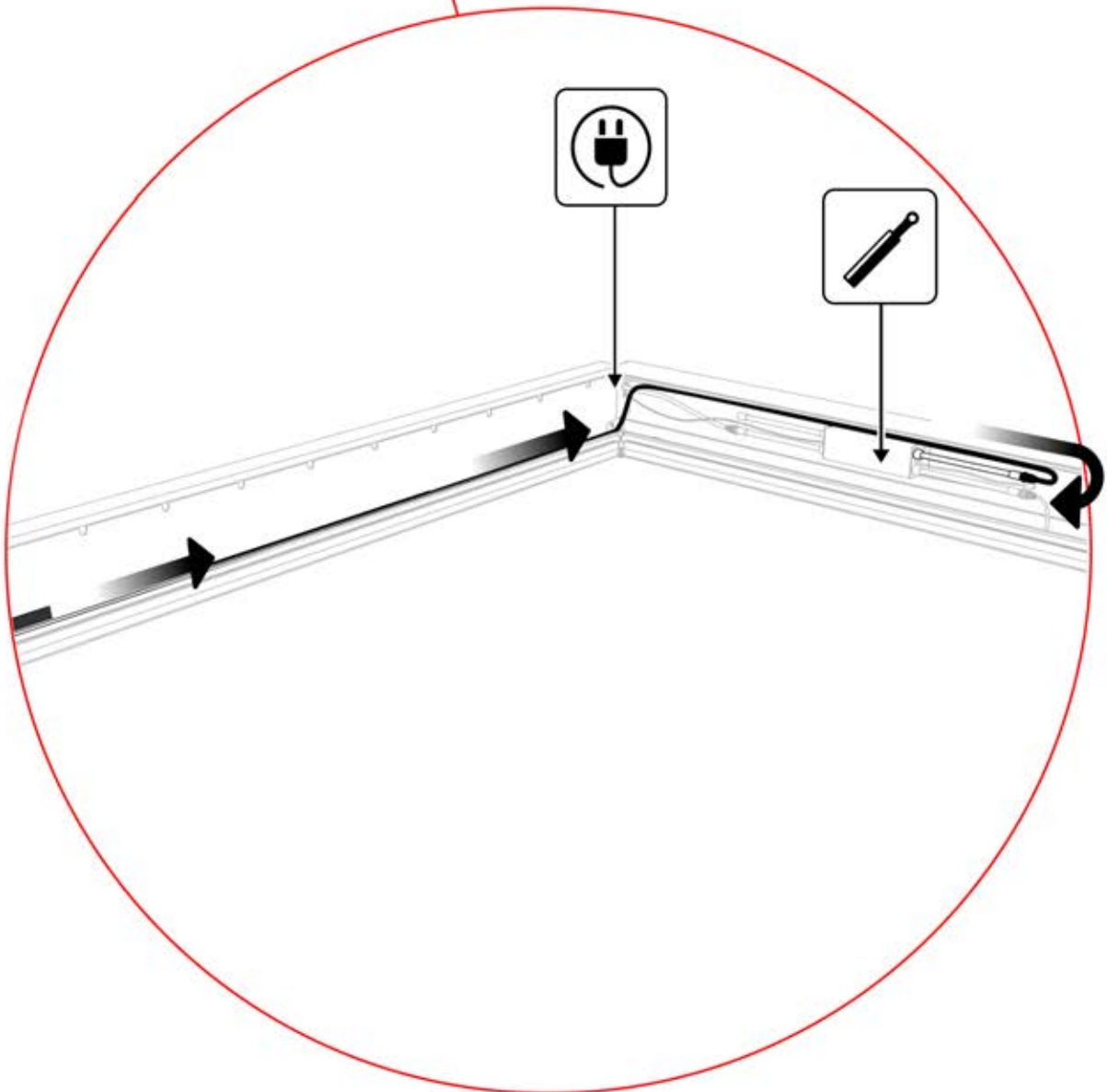
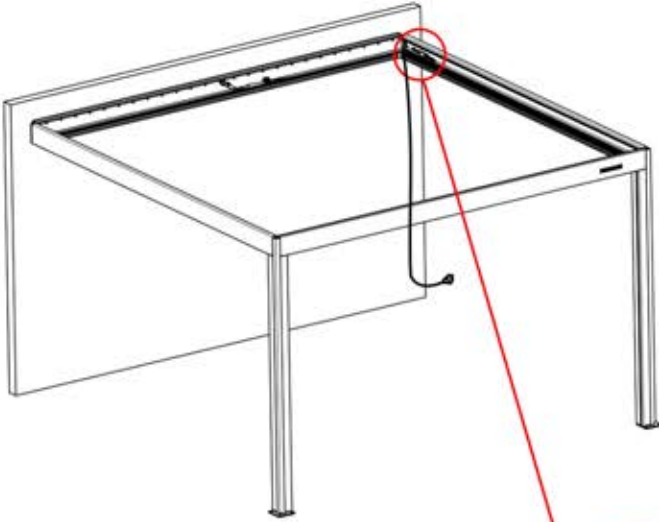
!
Power Cable can be
routed through all
the Poles.



37



38



39

1

If you are going to install a heater, do it now.

Follow the instructions in the heater assembly manual.



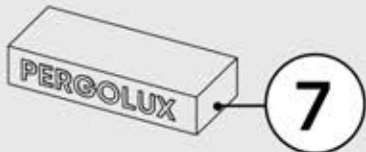
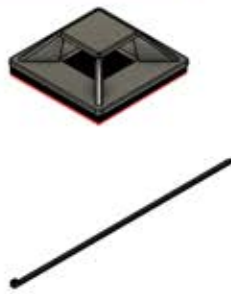
2

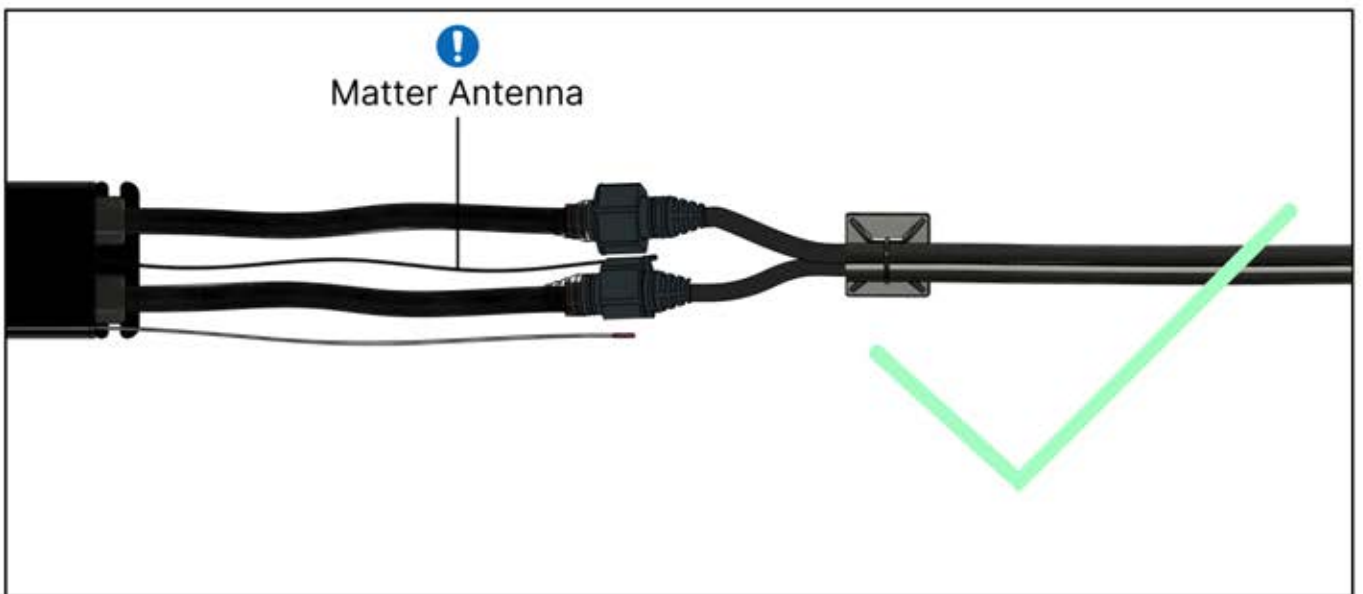
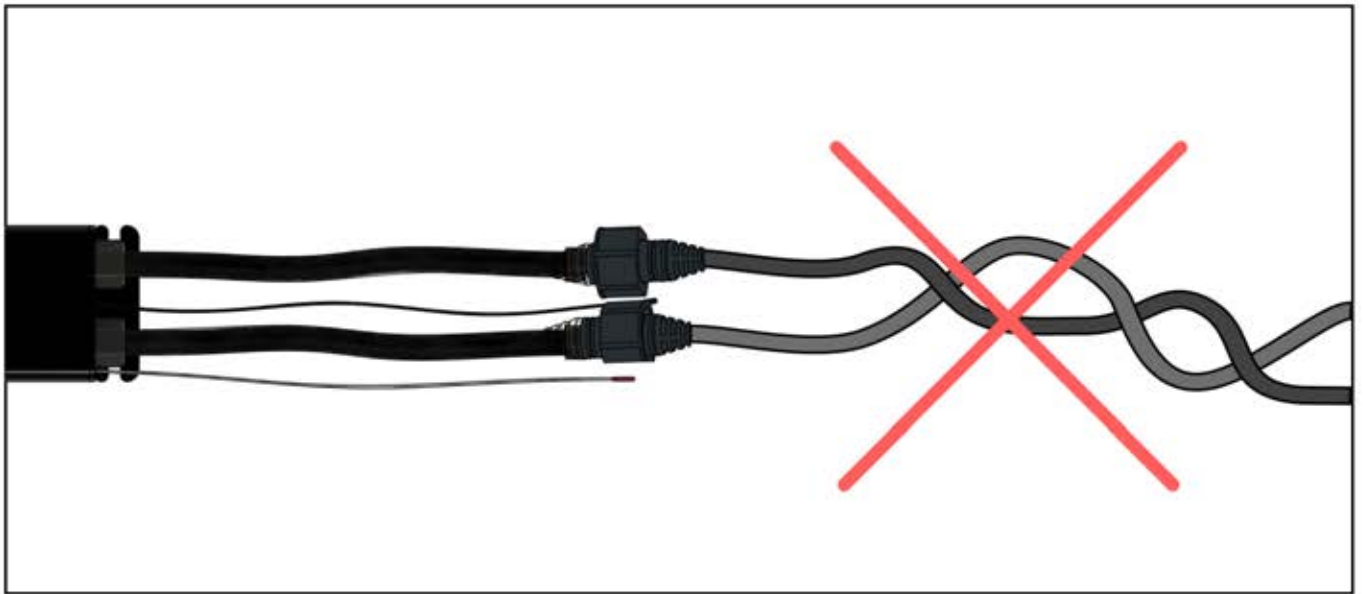
It's time to connect the motor and LED lights to the pergola control box.

Follow the instruction in the assembly manual.

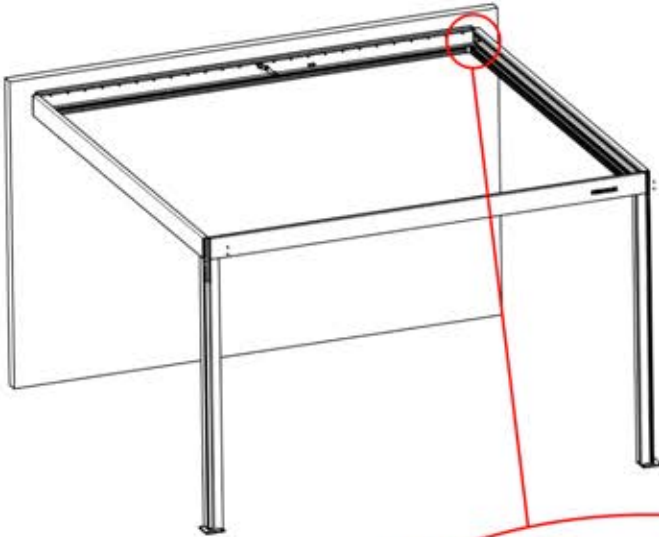


40

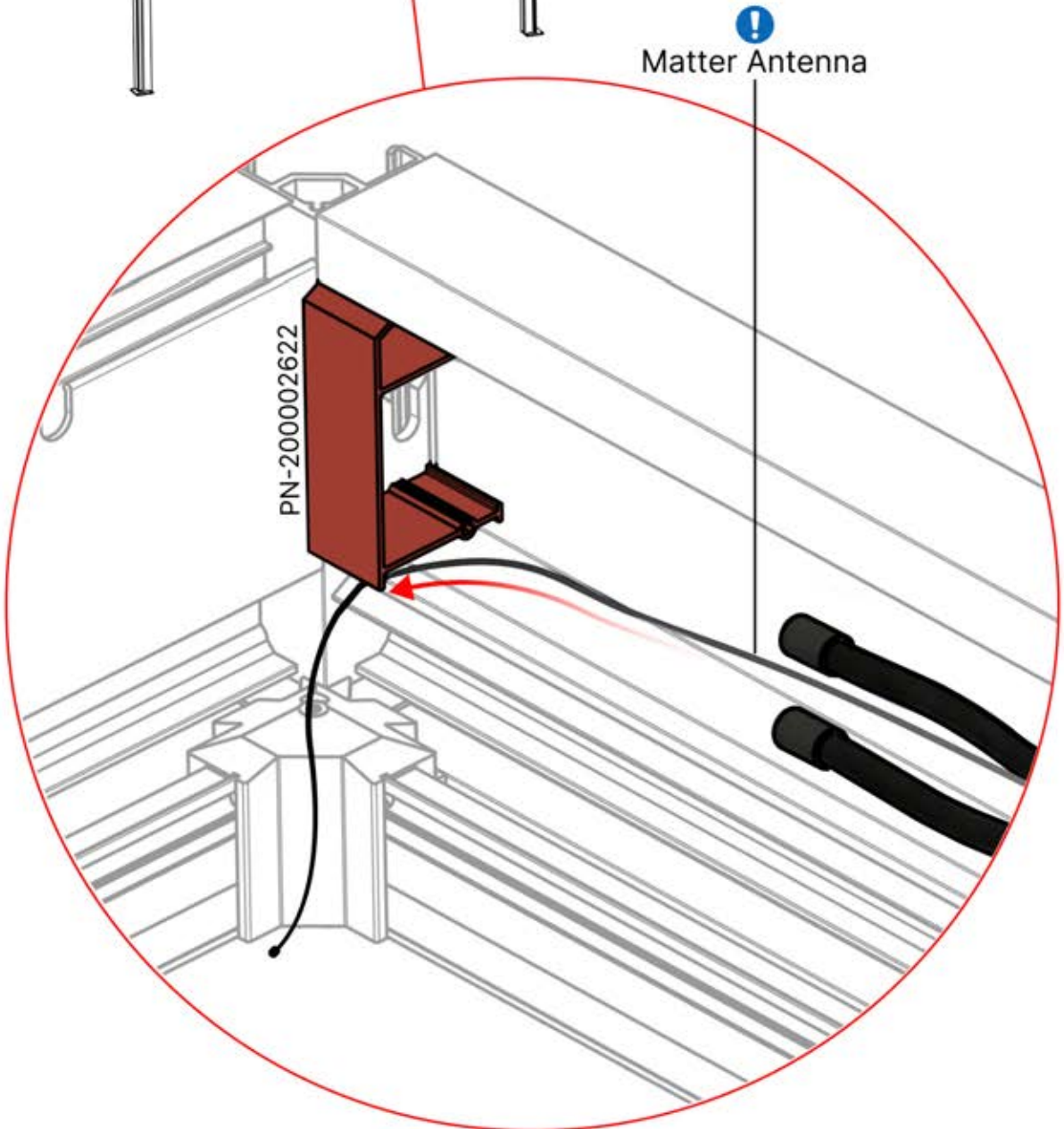
 <p>CONTROL BOX</p>	S4	PN-200002683 5x
<p>! Keep the Matter Antenna wire free and do not tie them with LED and Motor wire</p>		PN-200002684 10x



41




Route the Matter
Antenna and place it
below the highlighted
part(PN-200002622).





Matter Antenna

42

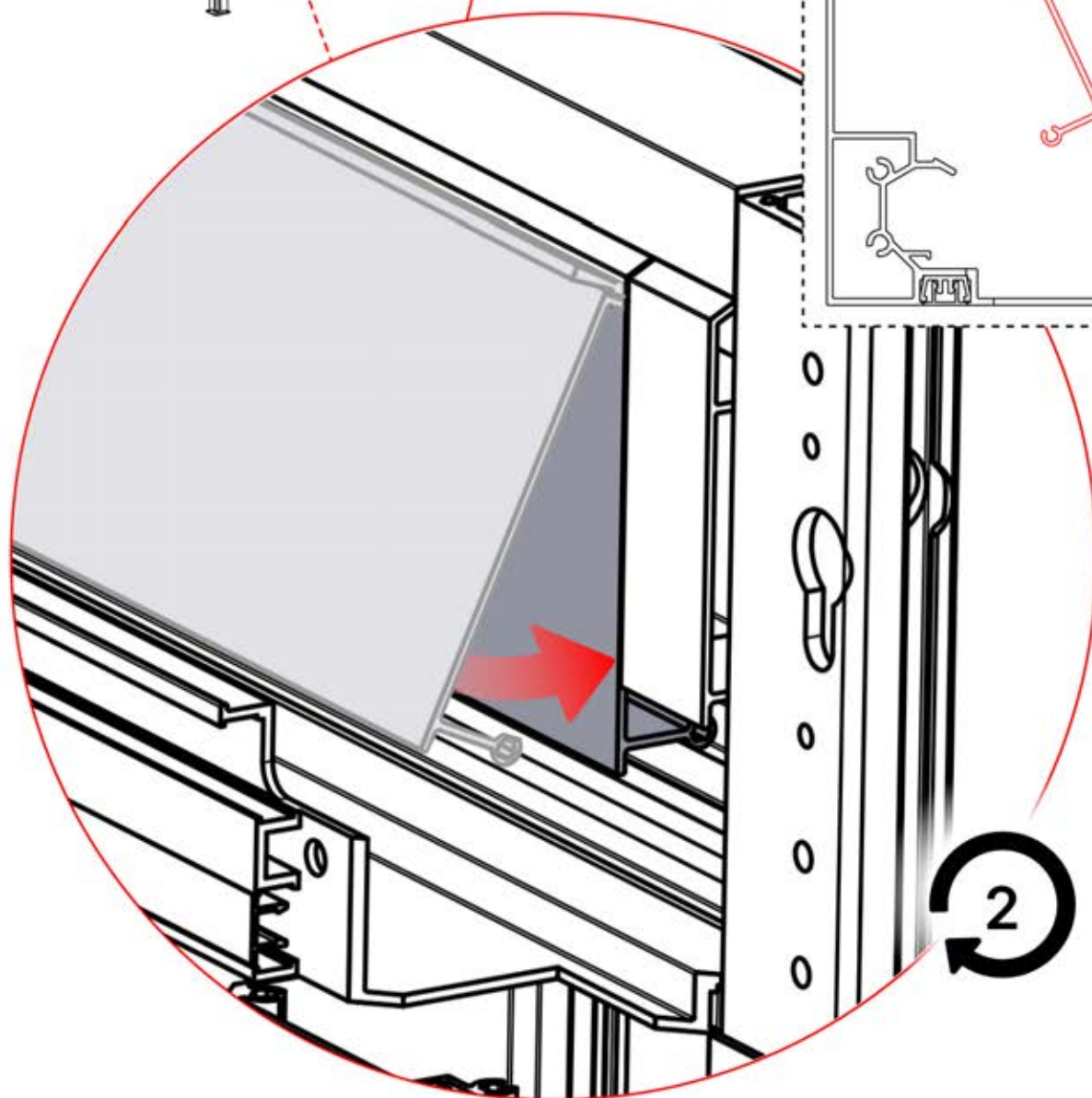
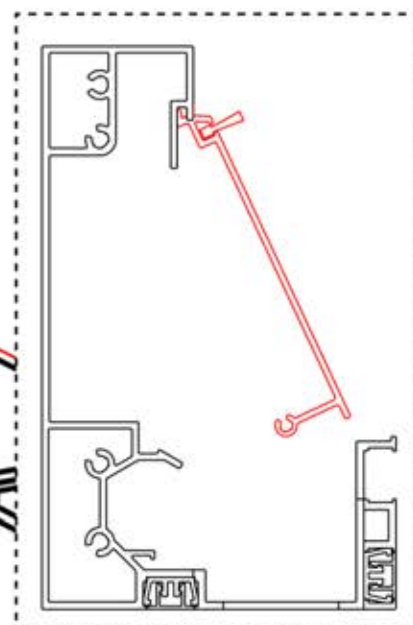
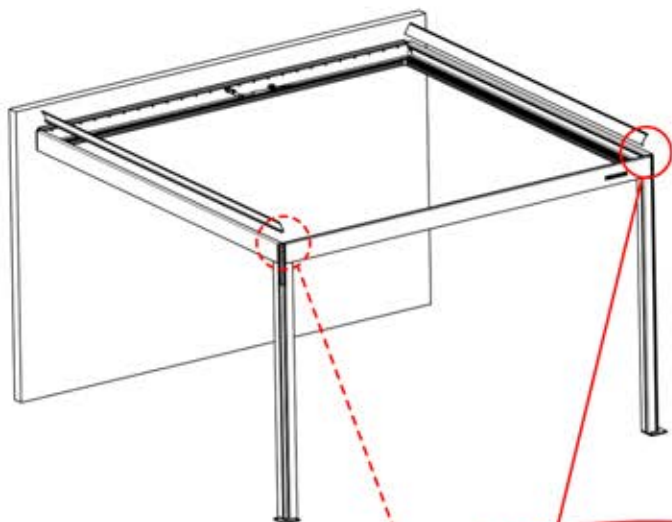
x1
PERGOLUX

5

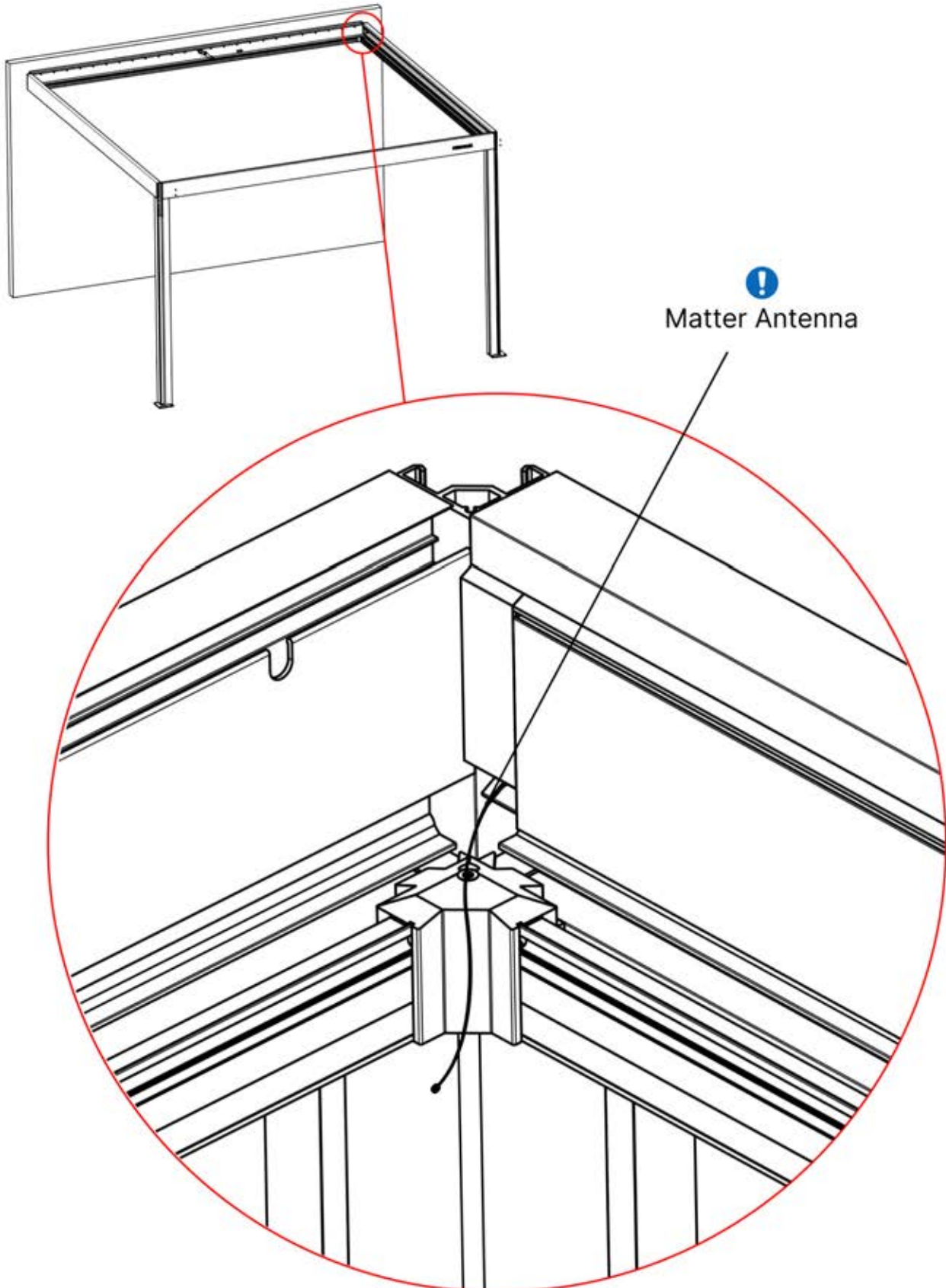
ANTHRACITE: B263
WHITE: B267
BLACK: B265



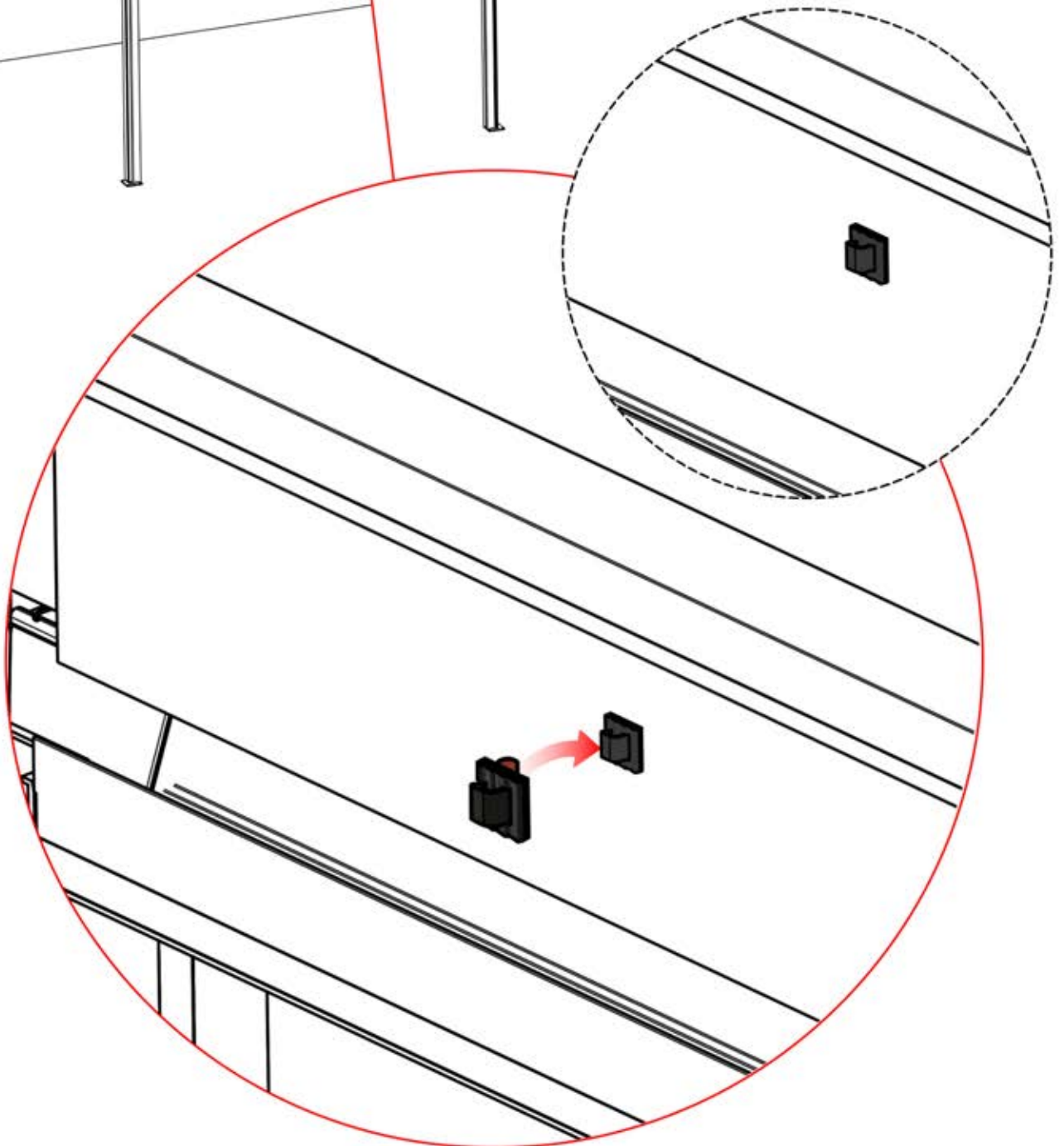
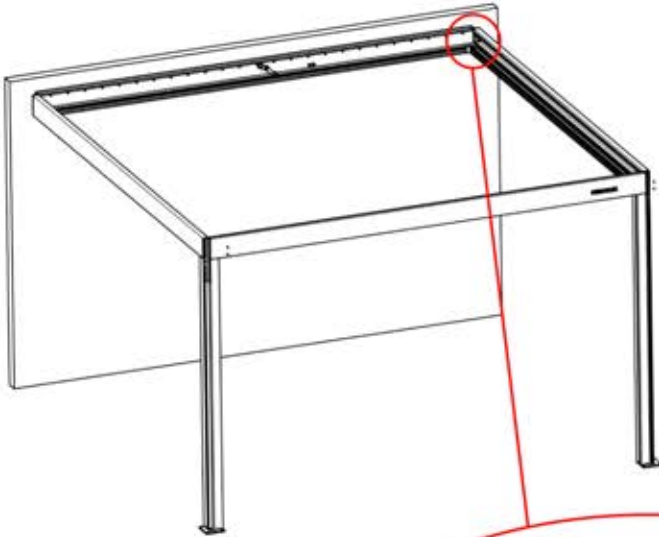
PN-200003329
1x

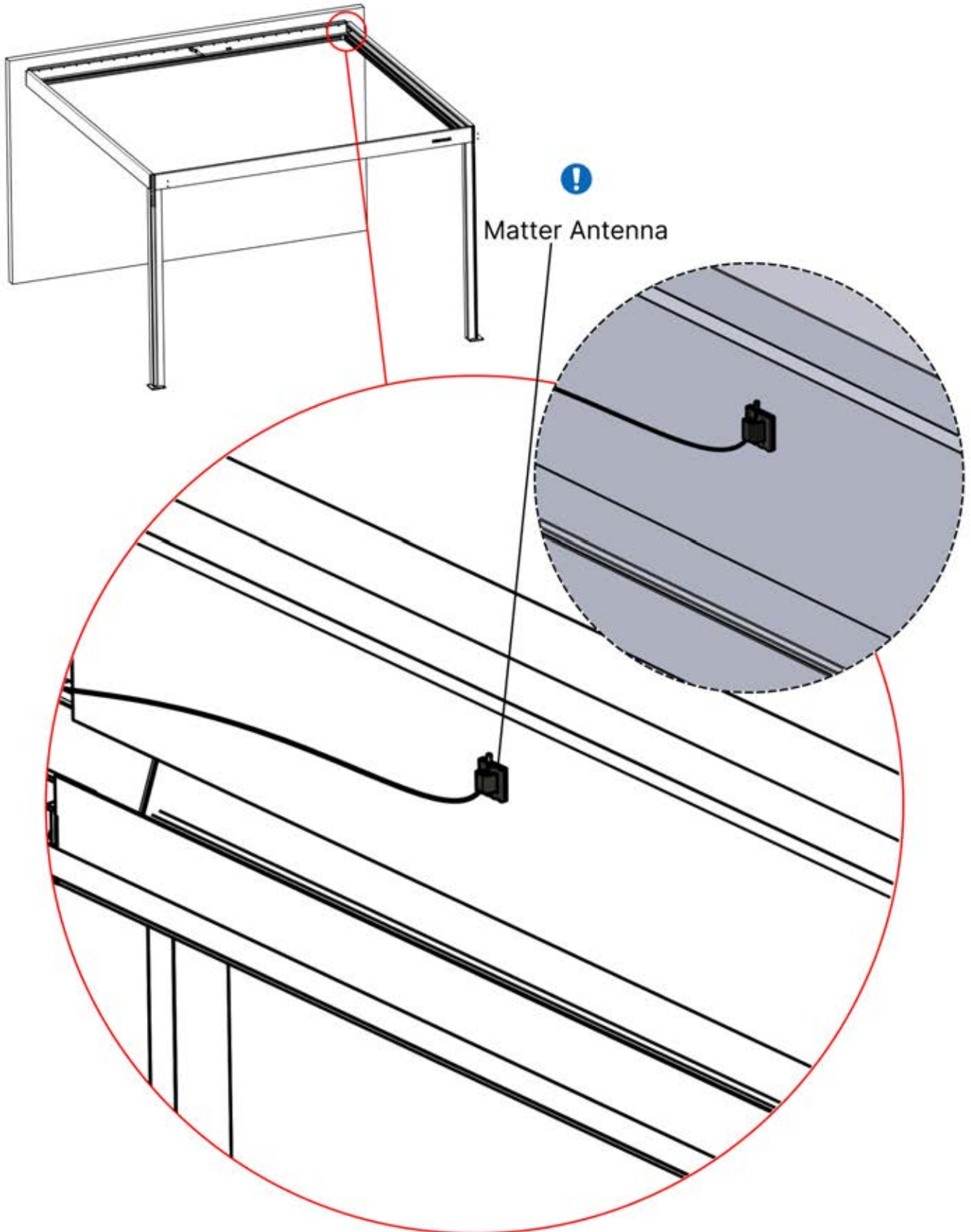


INFORMATION

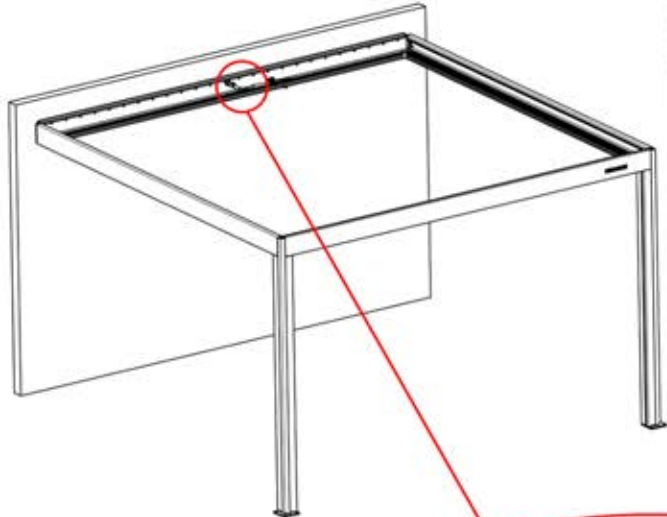


43

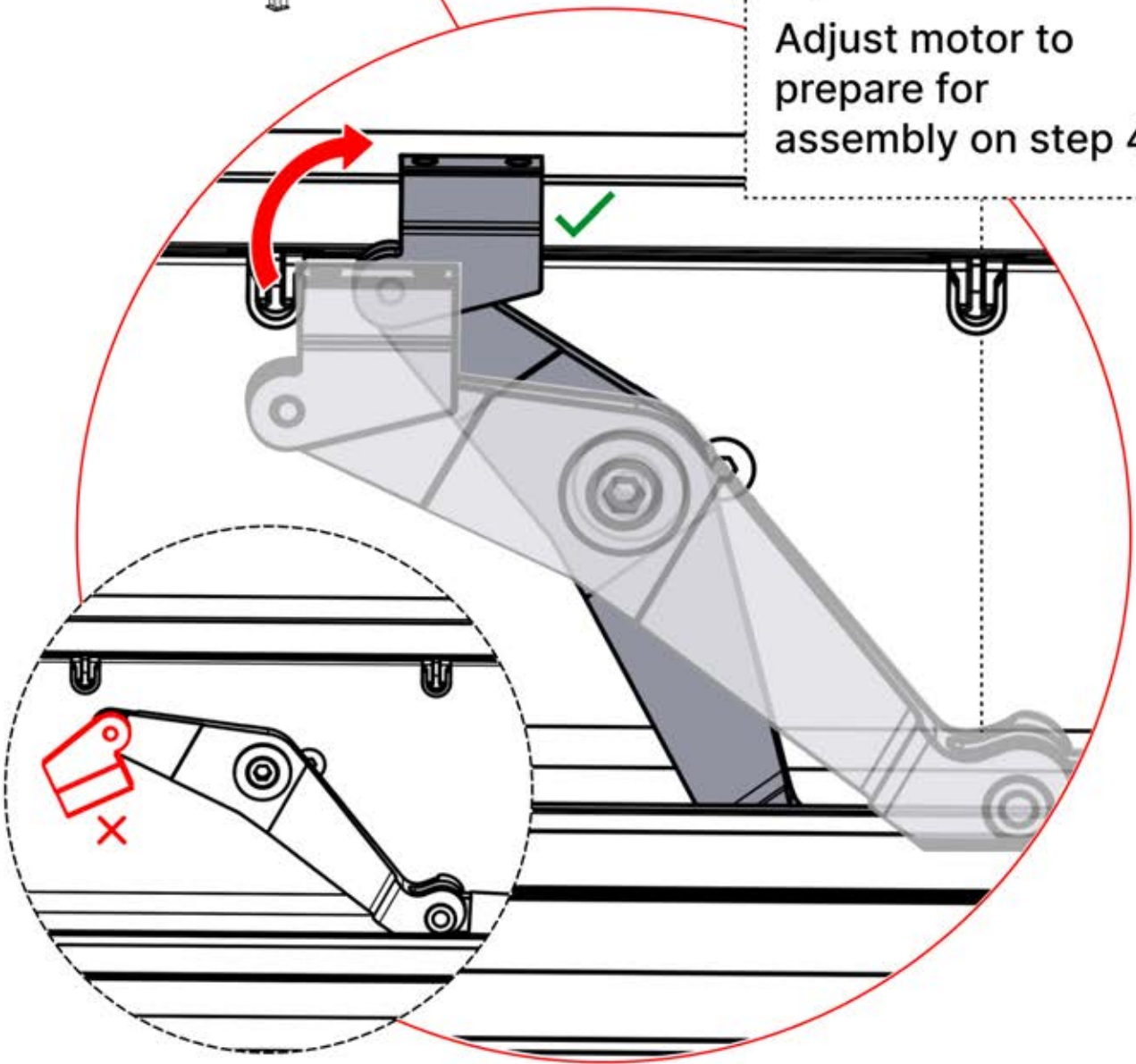




45



 Adjust motor to prepare for assembly on step 46

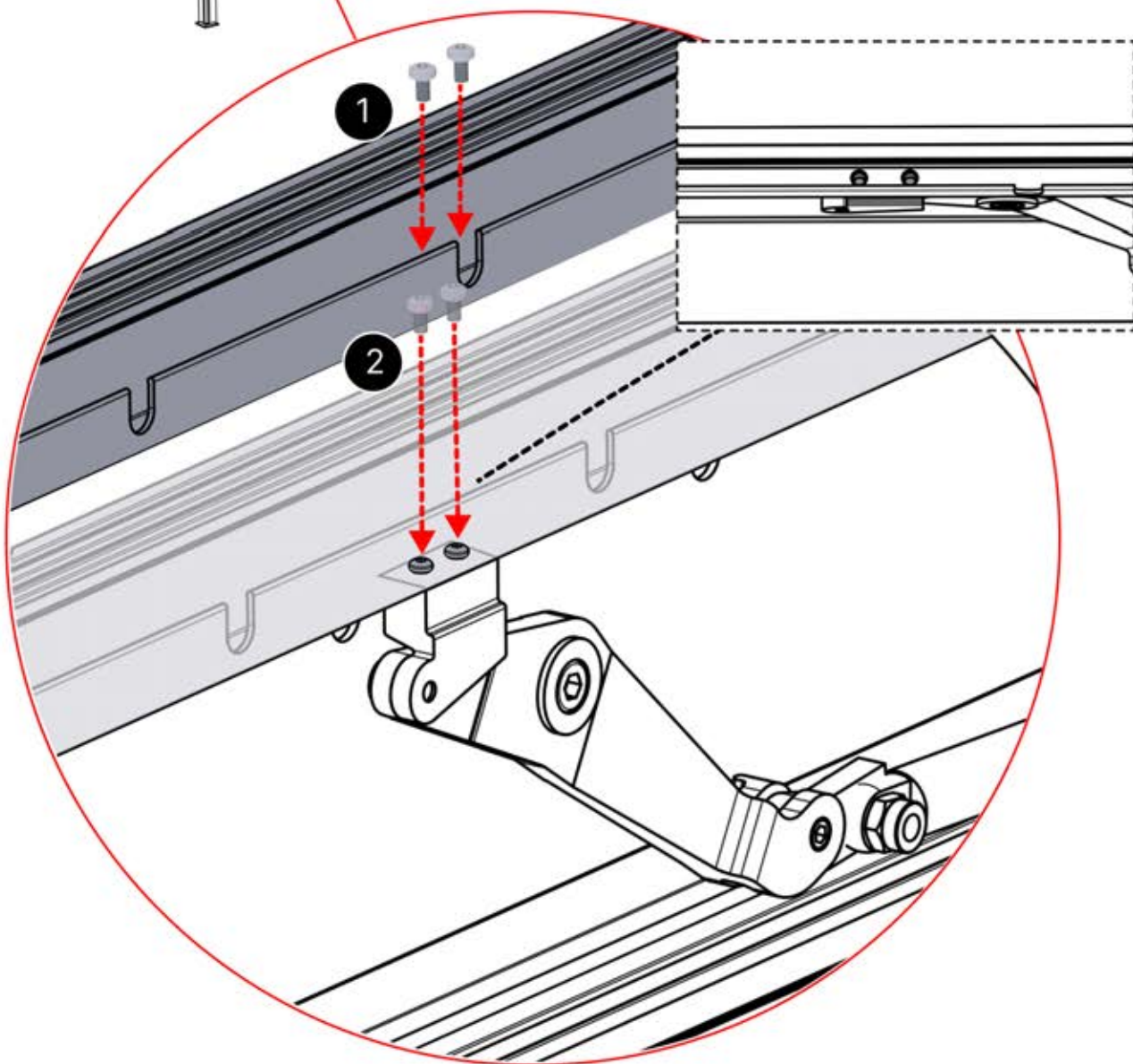
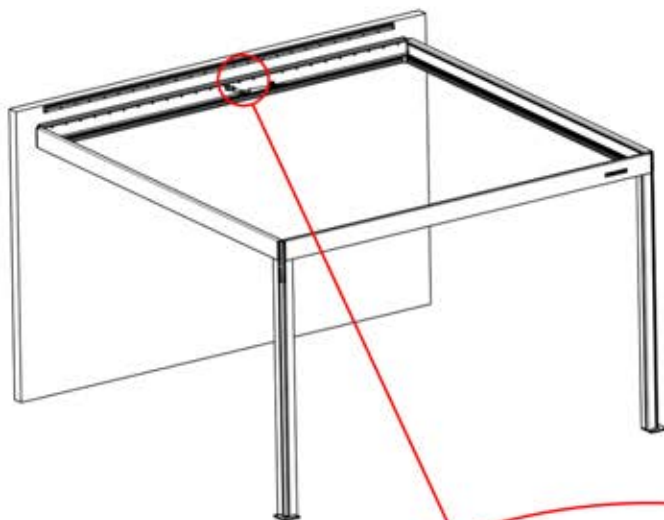


46

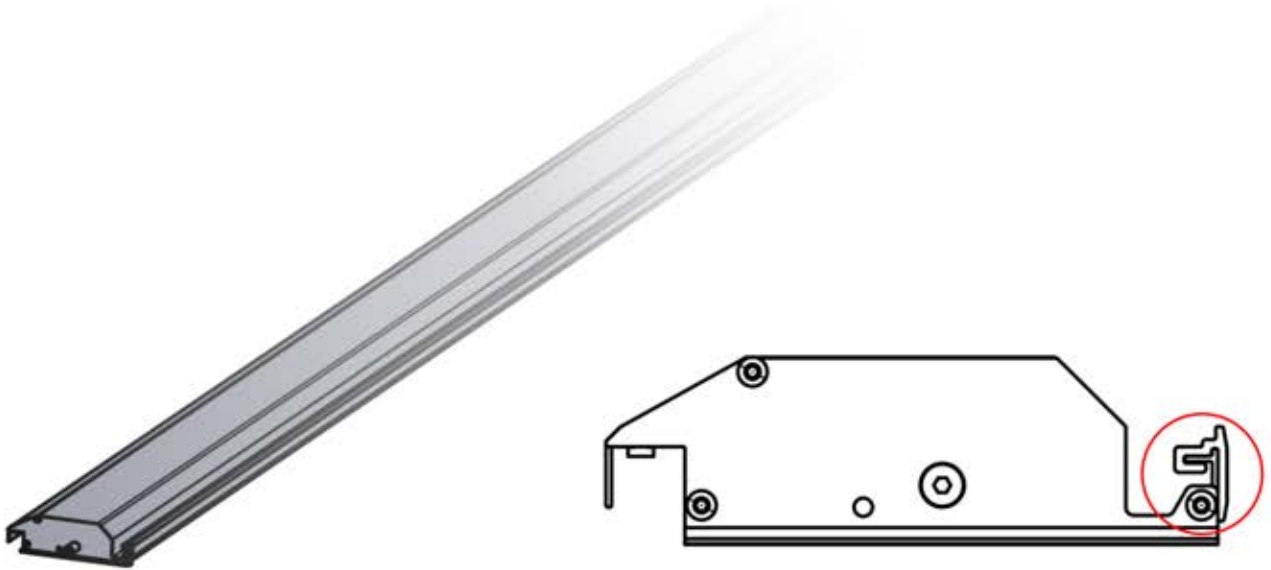


4

ANTHRACITE: B245
WHITE: B253
BLACK: B249



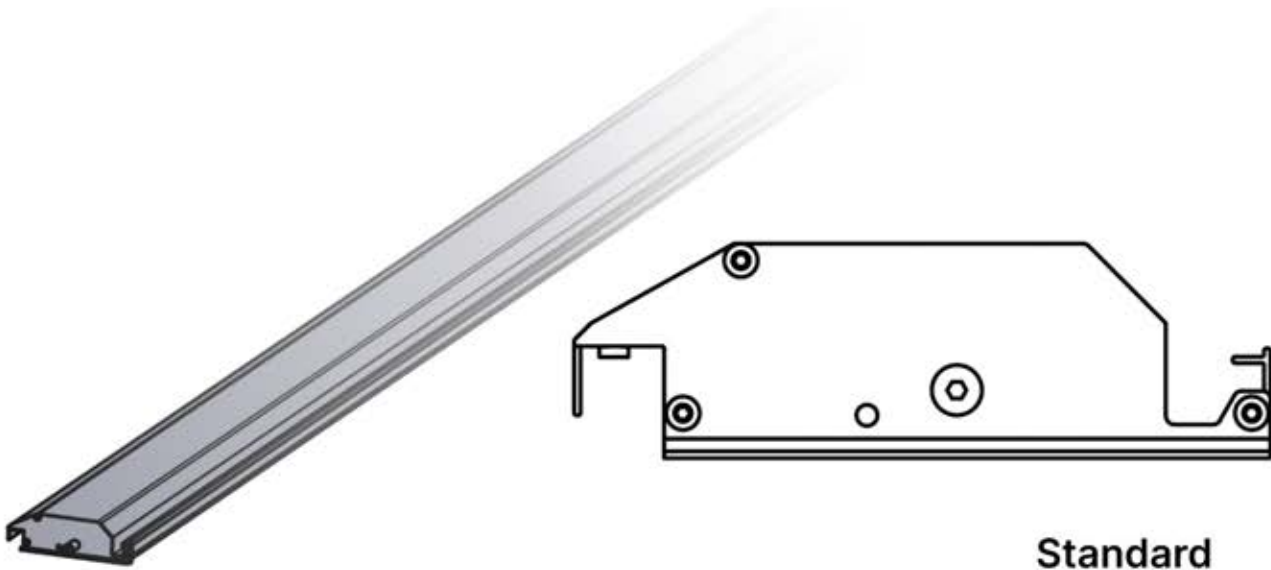
ITEMS IN BOX



ANTHRACITE: L234
 WHITE: L238
 BLACK: L236

PLR 150 G2 PRO LOUVER END FS 4M
 PACKAGE
 PN-200002975

1x



Standard

ANTHRACITE: L222
 WHITE: L226
 BLACK: L224

PLR 150 G2 PRO LOUVER STD FS 4M
 PACKAGE
 PN-200002883



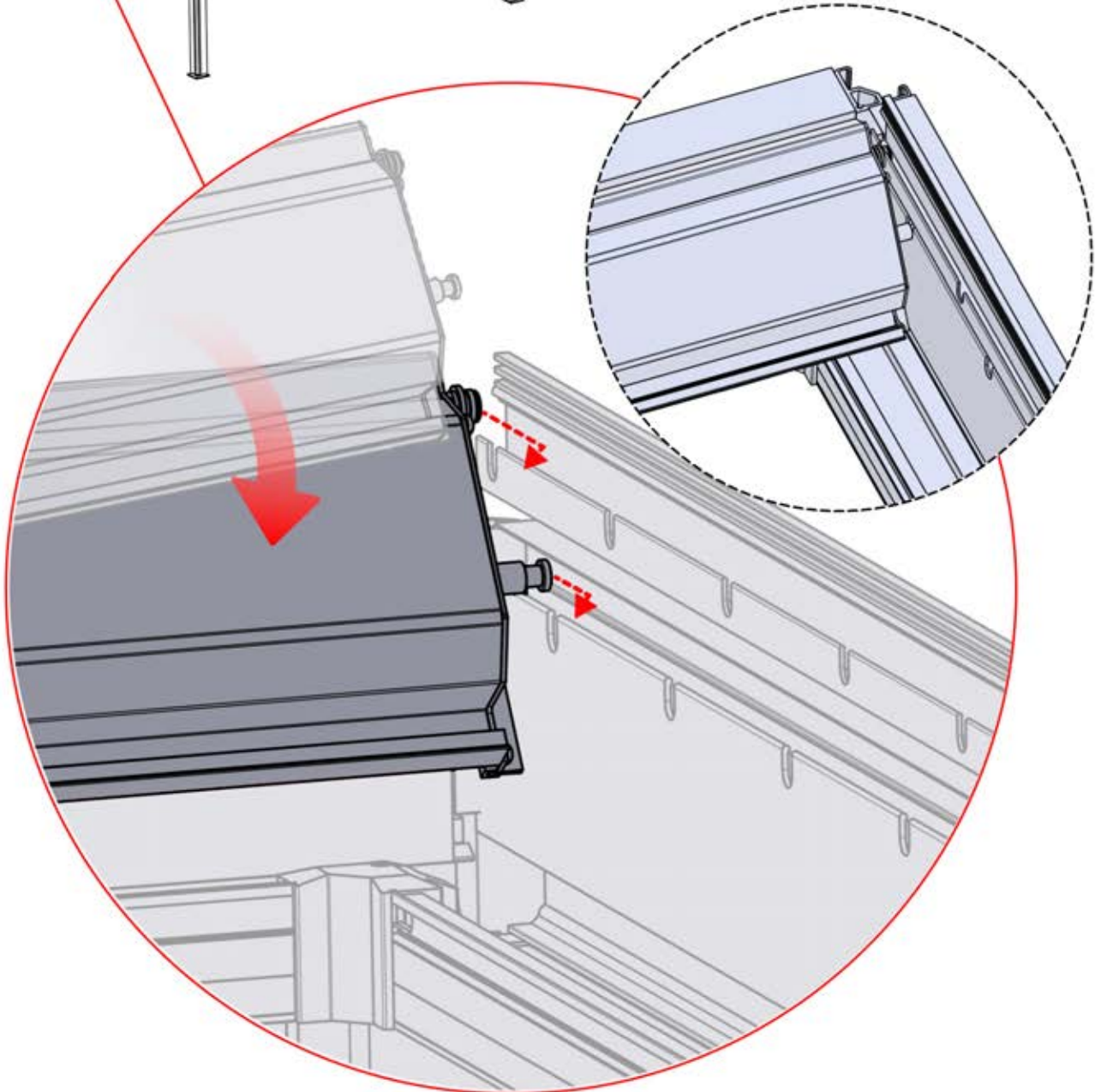
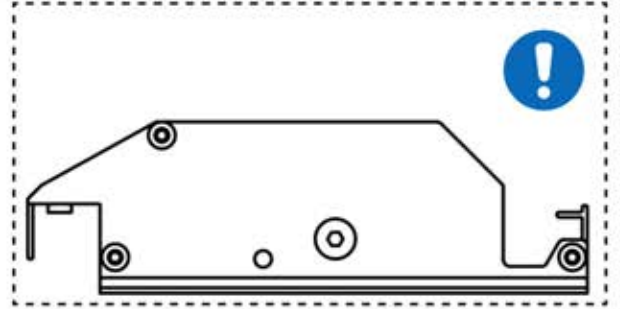
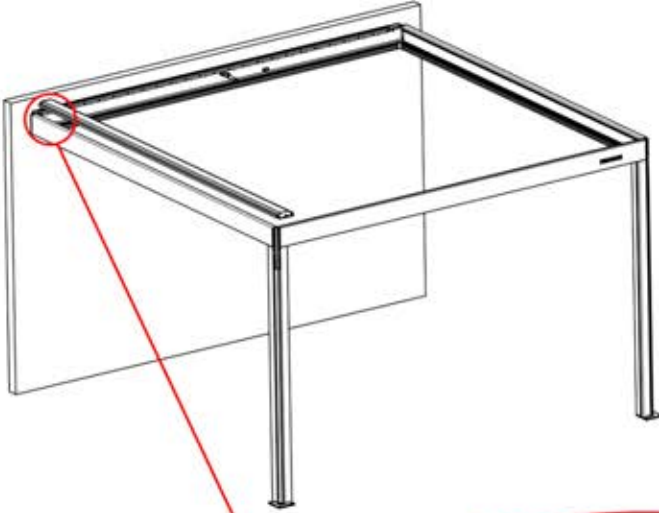

47

x3
PERGOLUX
PERGOLUX
PERGOLUX

2

ANTHRACITE: L222
WHITE: L226
BLACK: L224

PN-200002883
1x




48

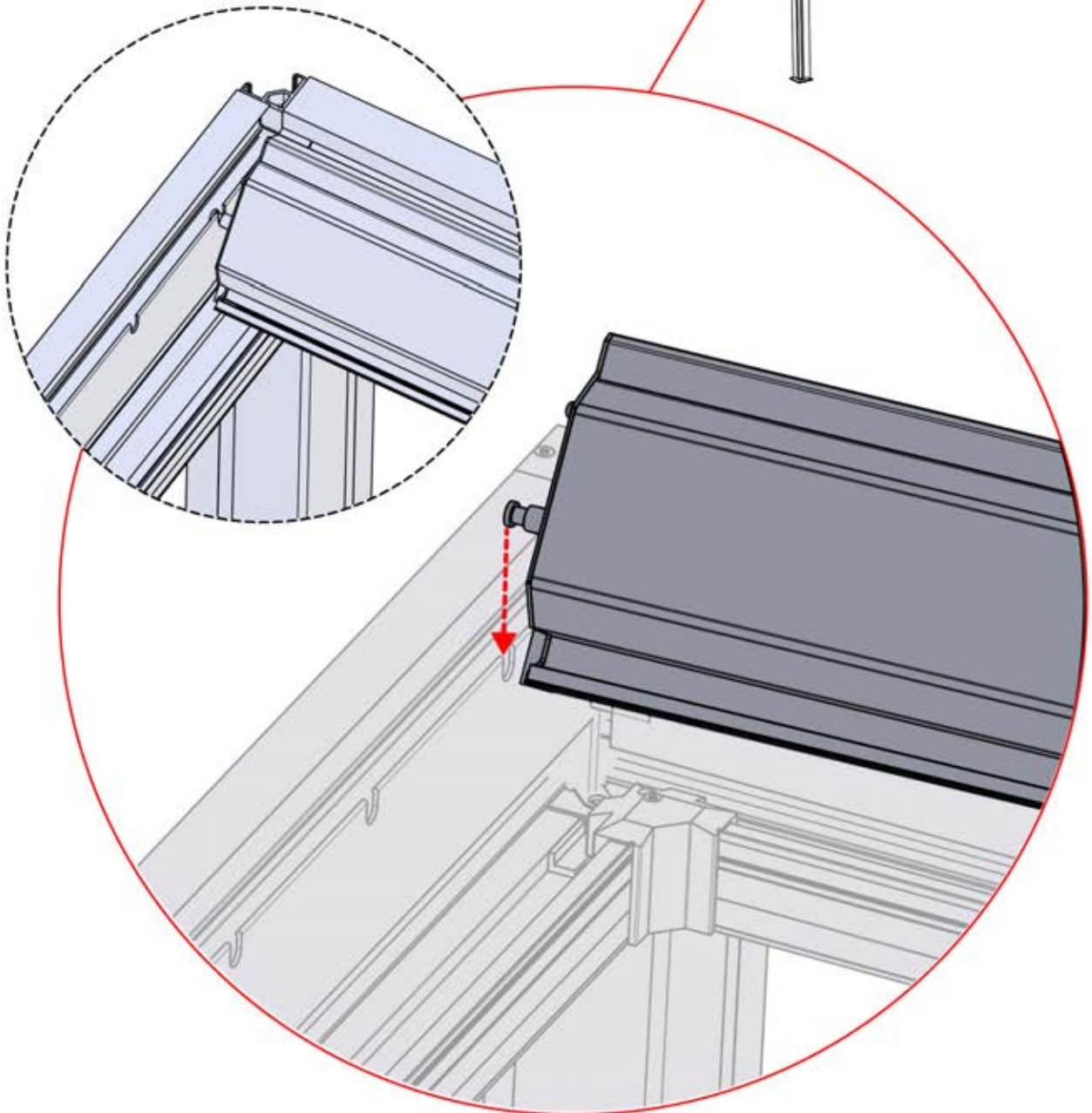
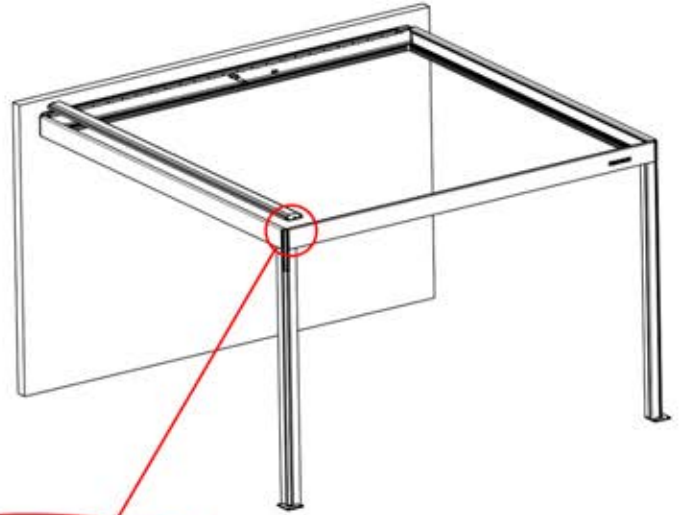
x3
FERGOLUX
FERGOLUX
FERGOLUX

2

ANTHRACITE: L222
WHITE: L226
BLACK: L224



PN-200002883
1x

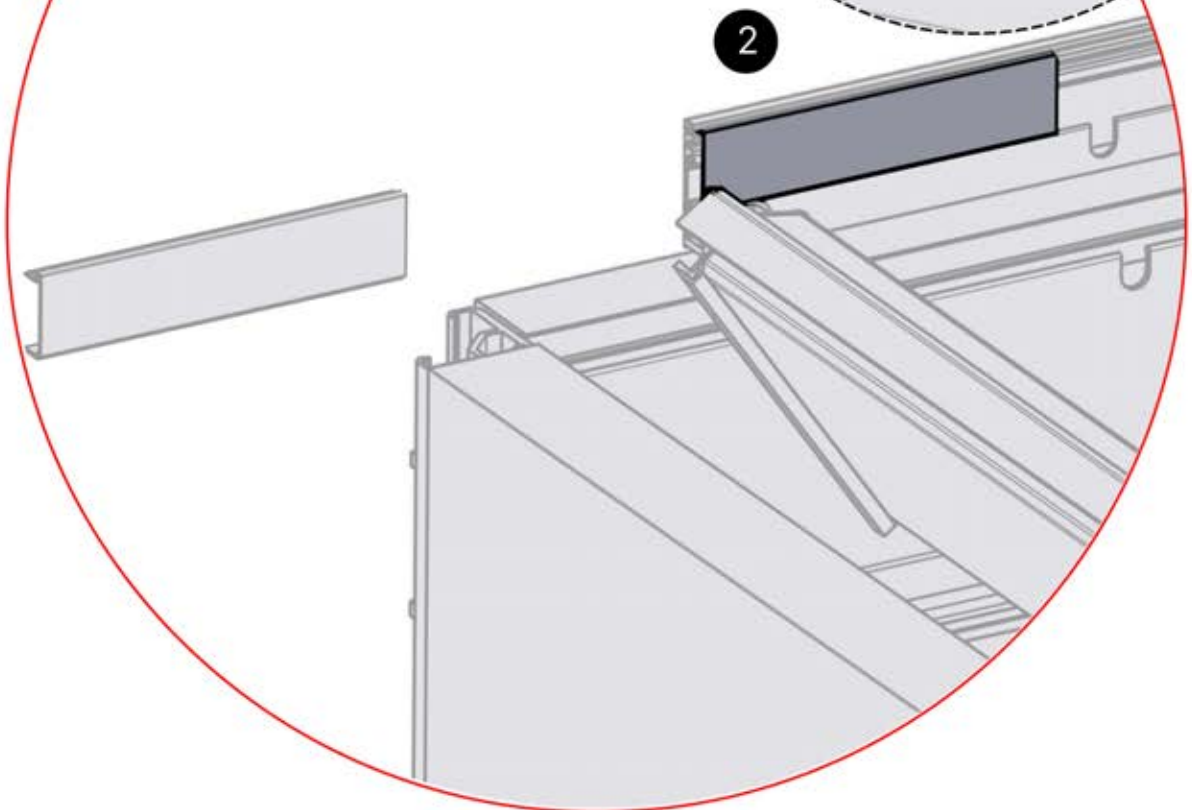
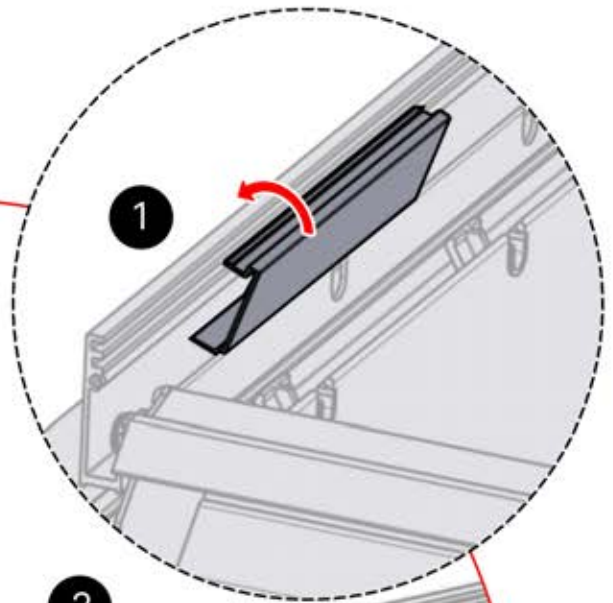
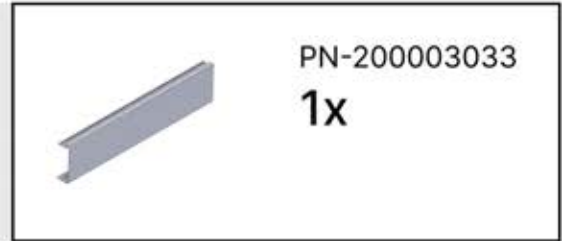


49



4

ANTHRACITE: B245
WHITE: B253
BLACK: B249



50



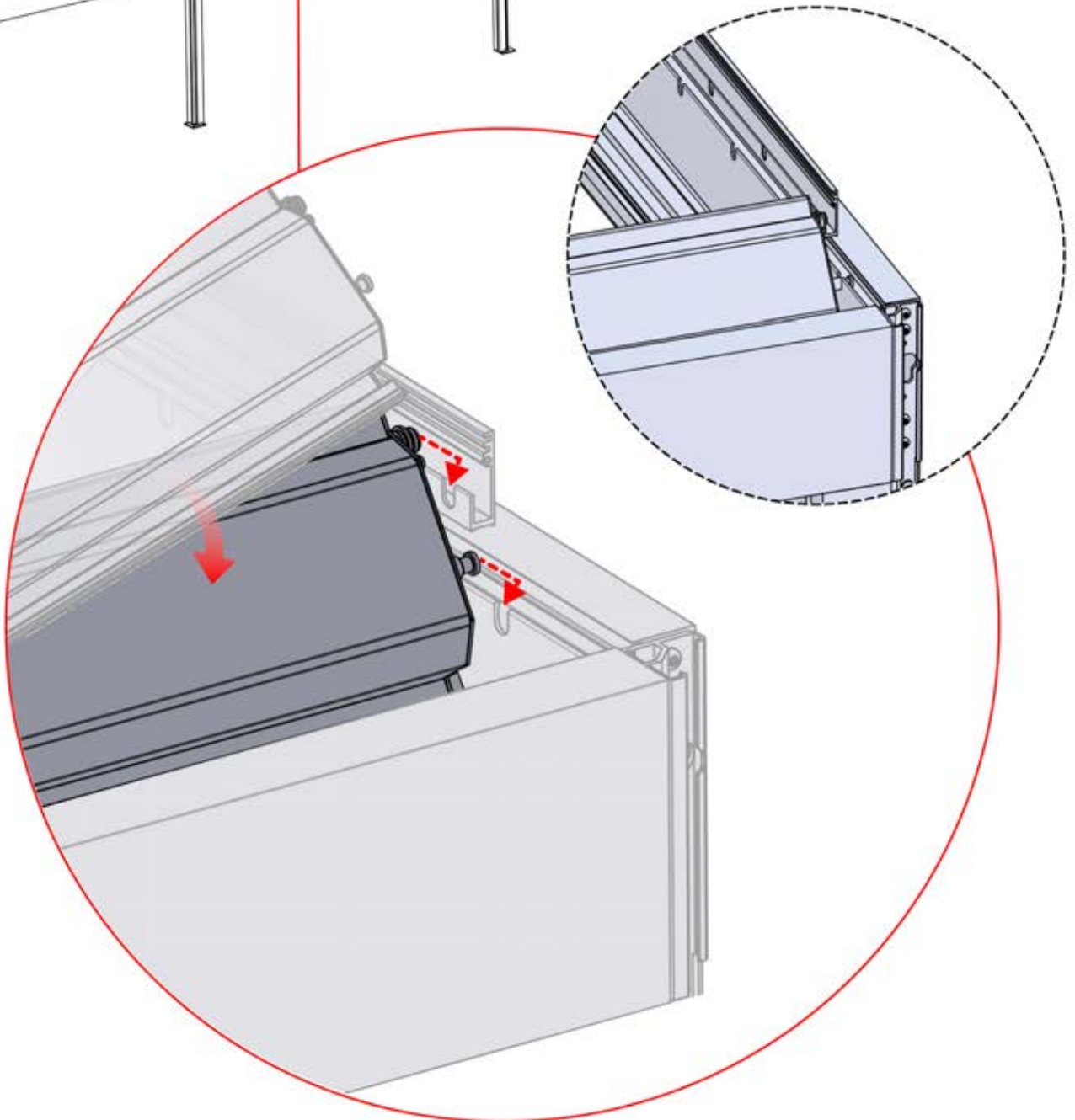
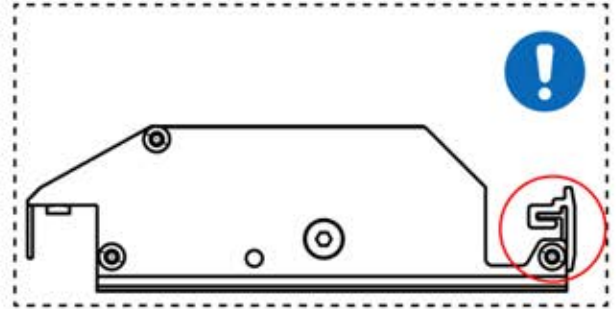
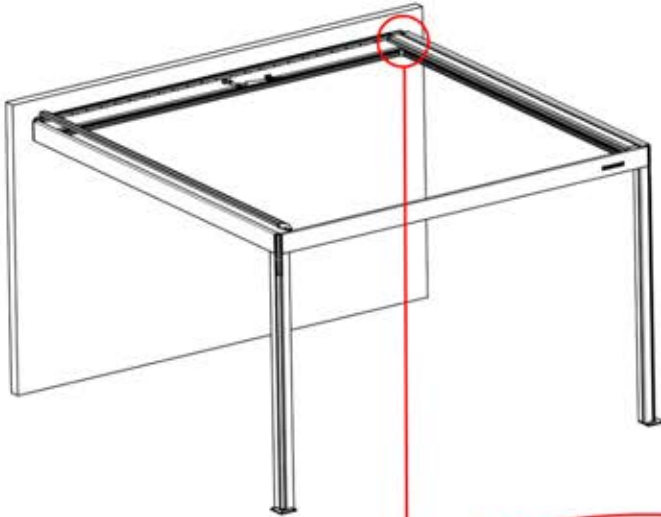
3

ANTHRACITE: L234
WHITE: L238
BLACK: L236




PN-200002975

1x

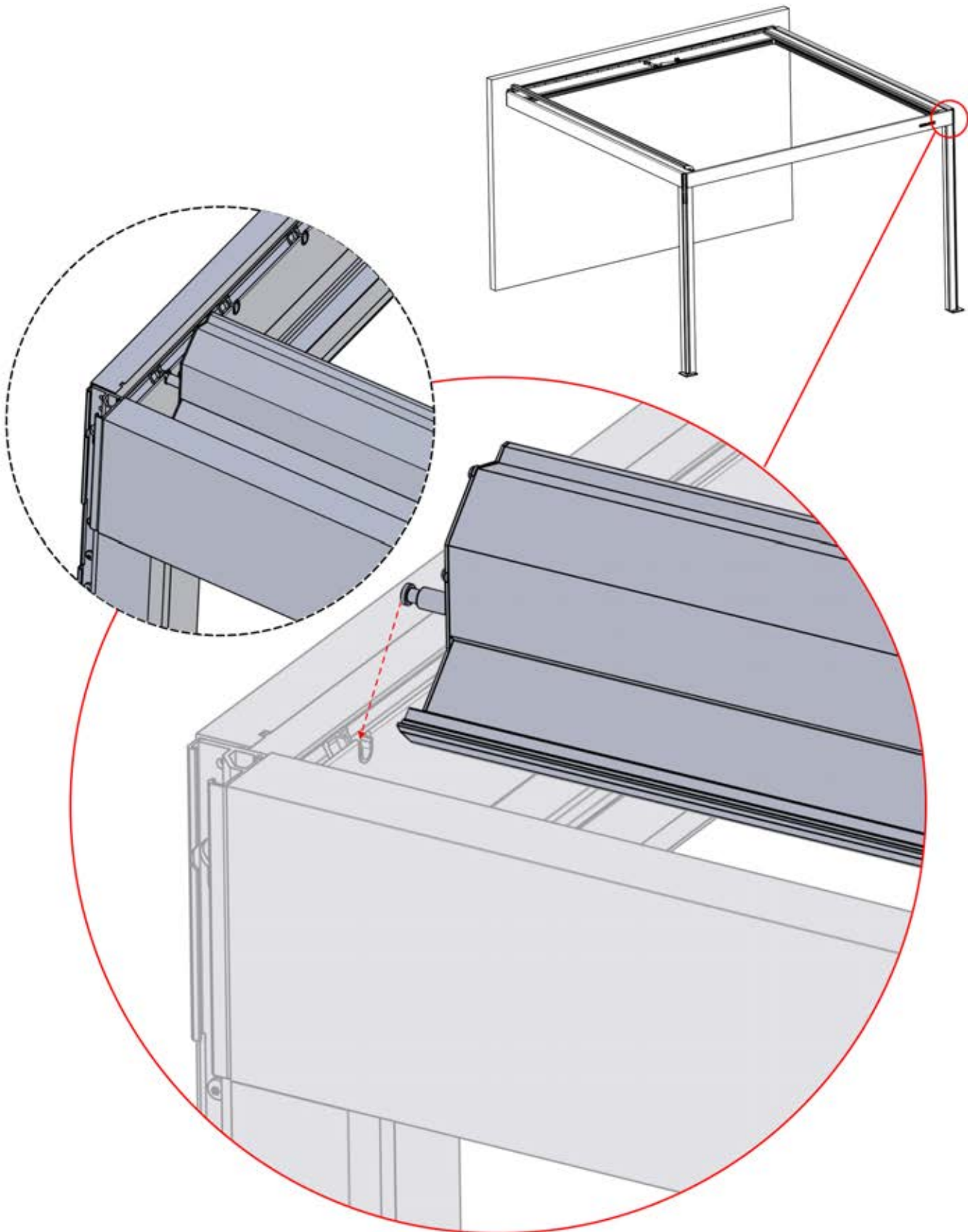


51

 **3**

ANTHRACITE: L234
WHITE: L238
BLACK: L236

 PN-200002975
1x

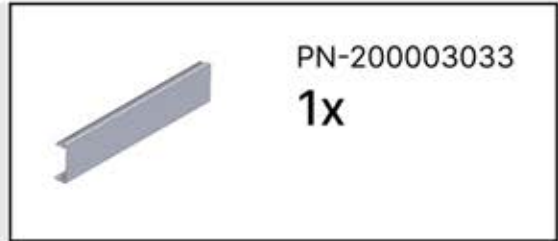


52



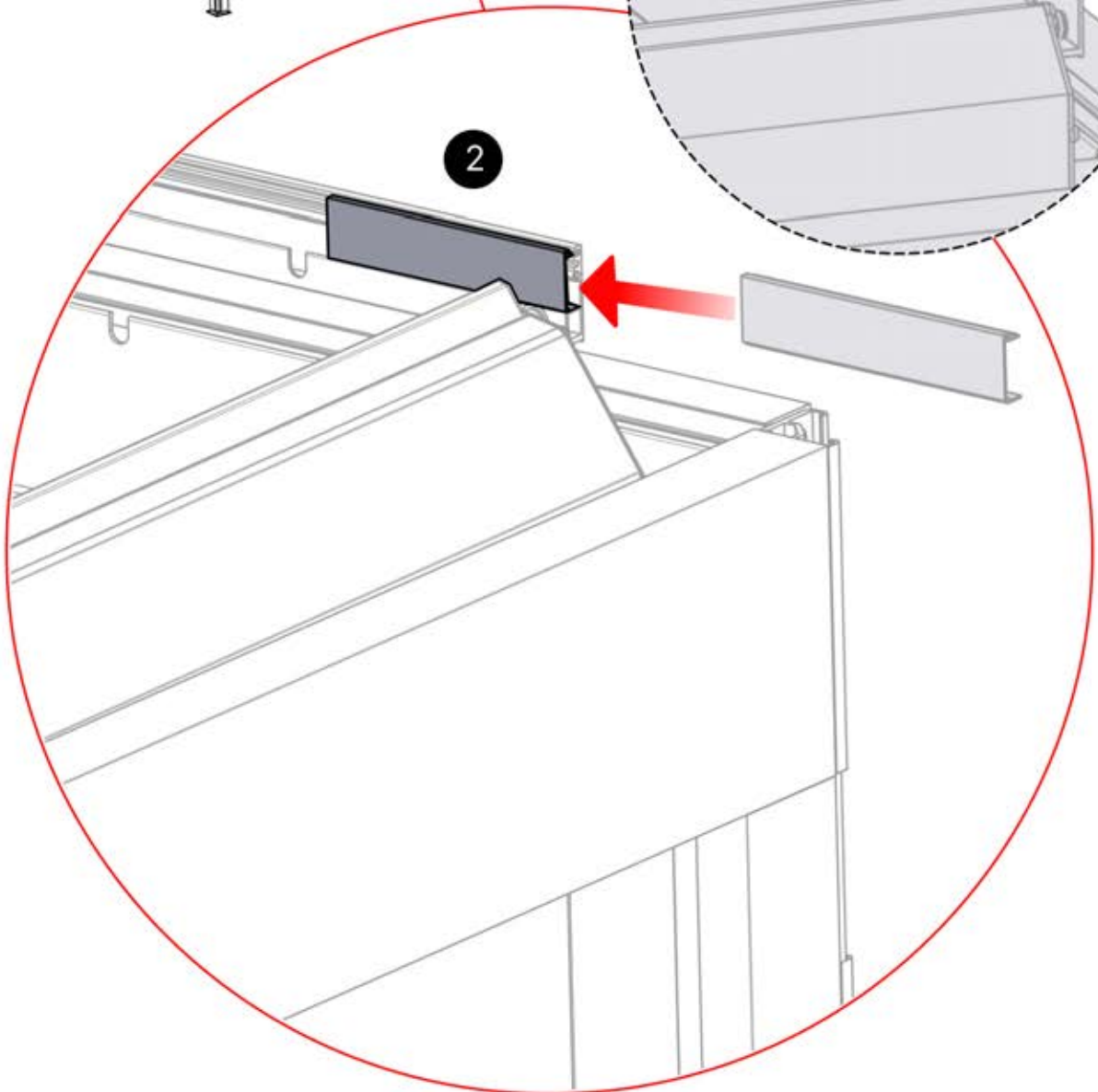
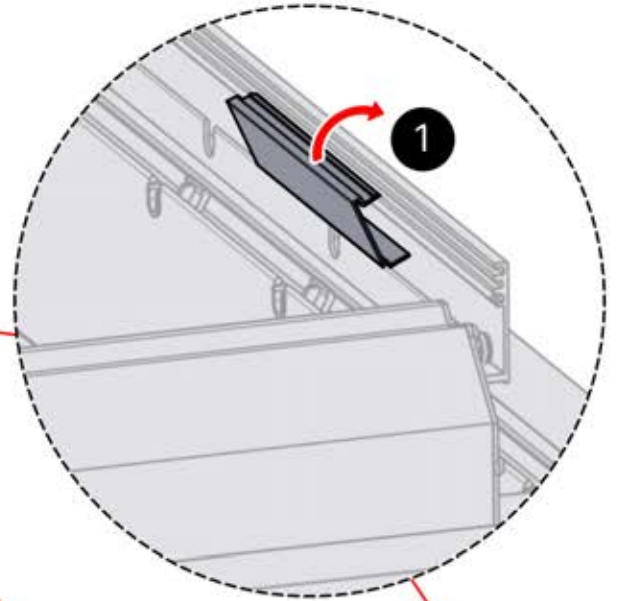
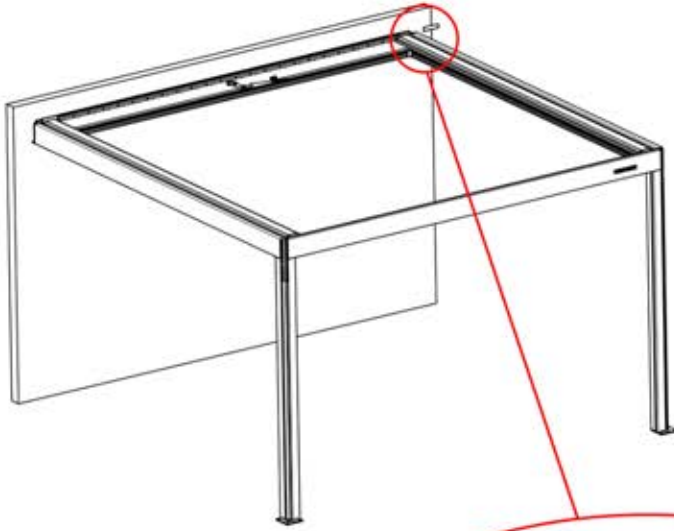
4

ANTHRACITE: B245
WHITE: B253
BLACK: B249



PN-200003033

1x



53

x1
PERGOLUX

3

ANTHRACITE: L234
WHITE: L238
BLACK: L236

x3
PERGOLUX
PERGOLUX
PERGOLUX

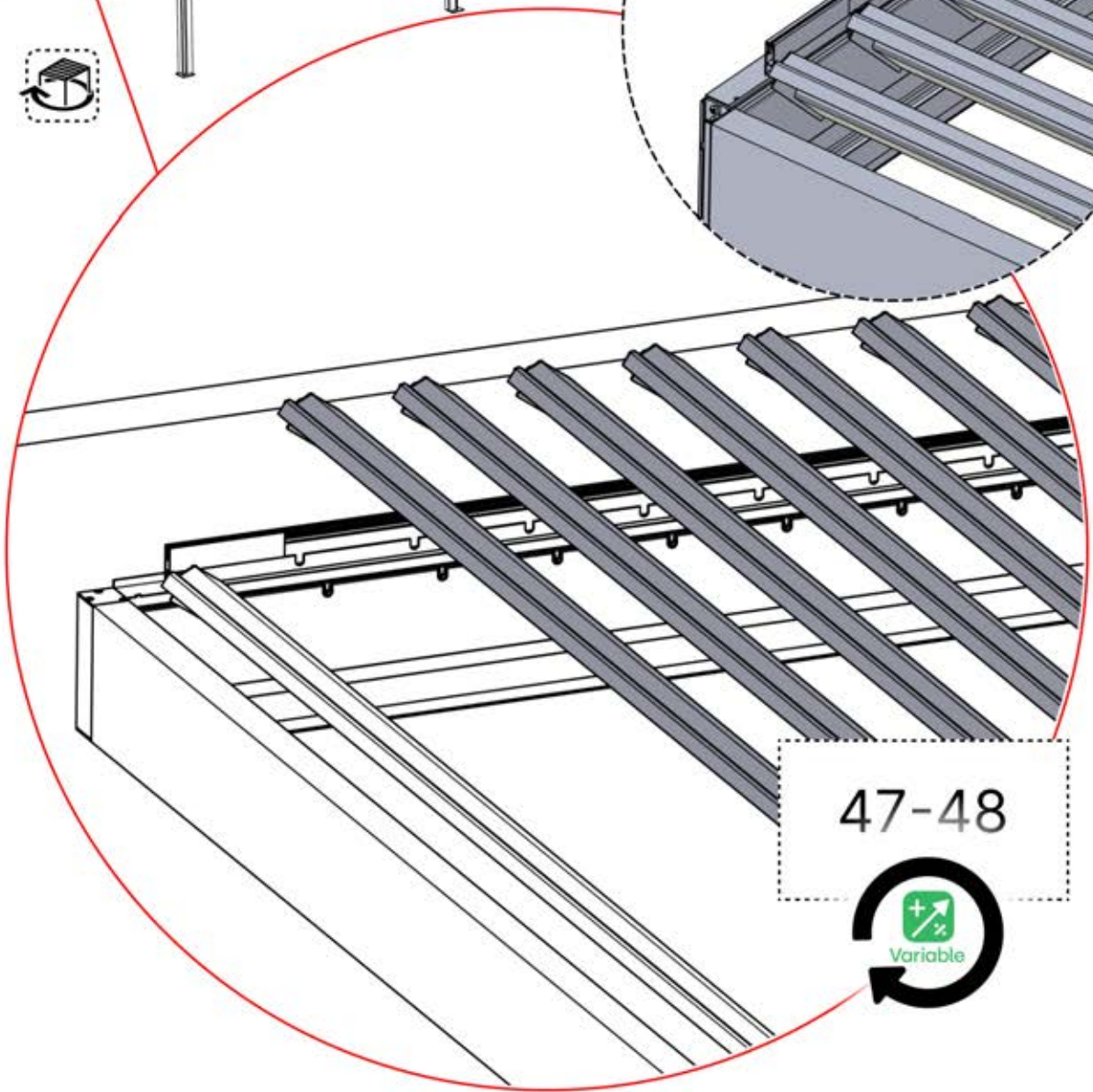
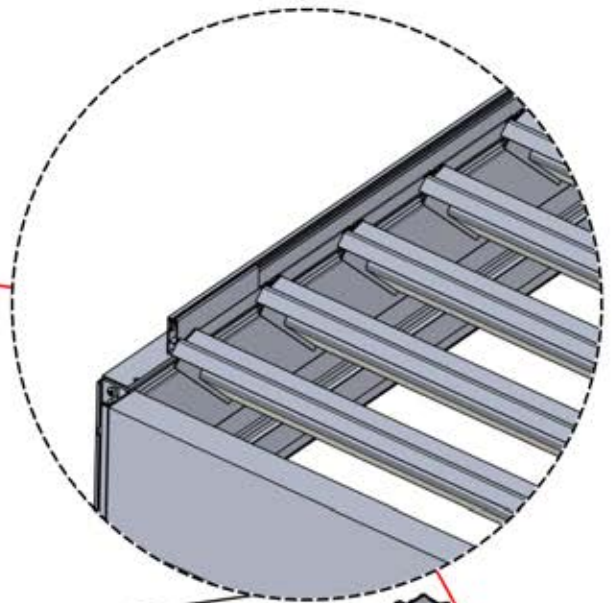
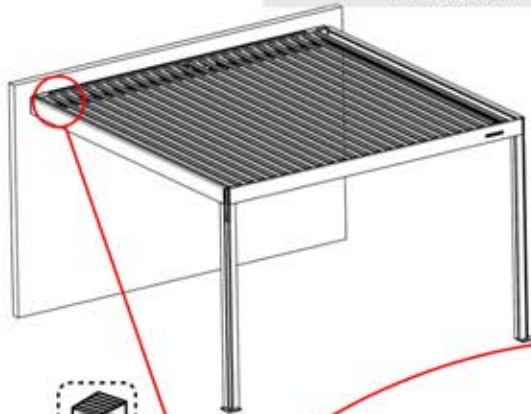
2

ANTHRACITE: L222
WHITE: L226
BLACK: L224



PN-20002883


Variable



47-48

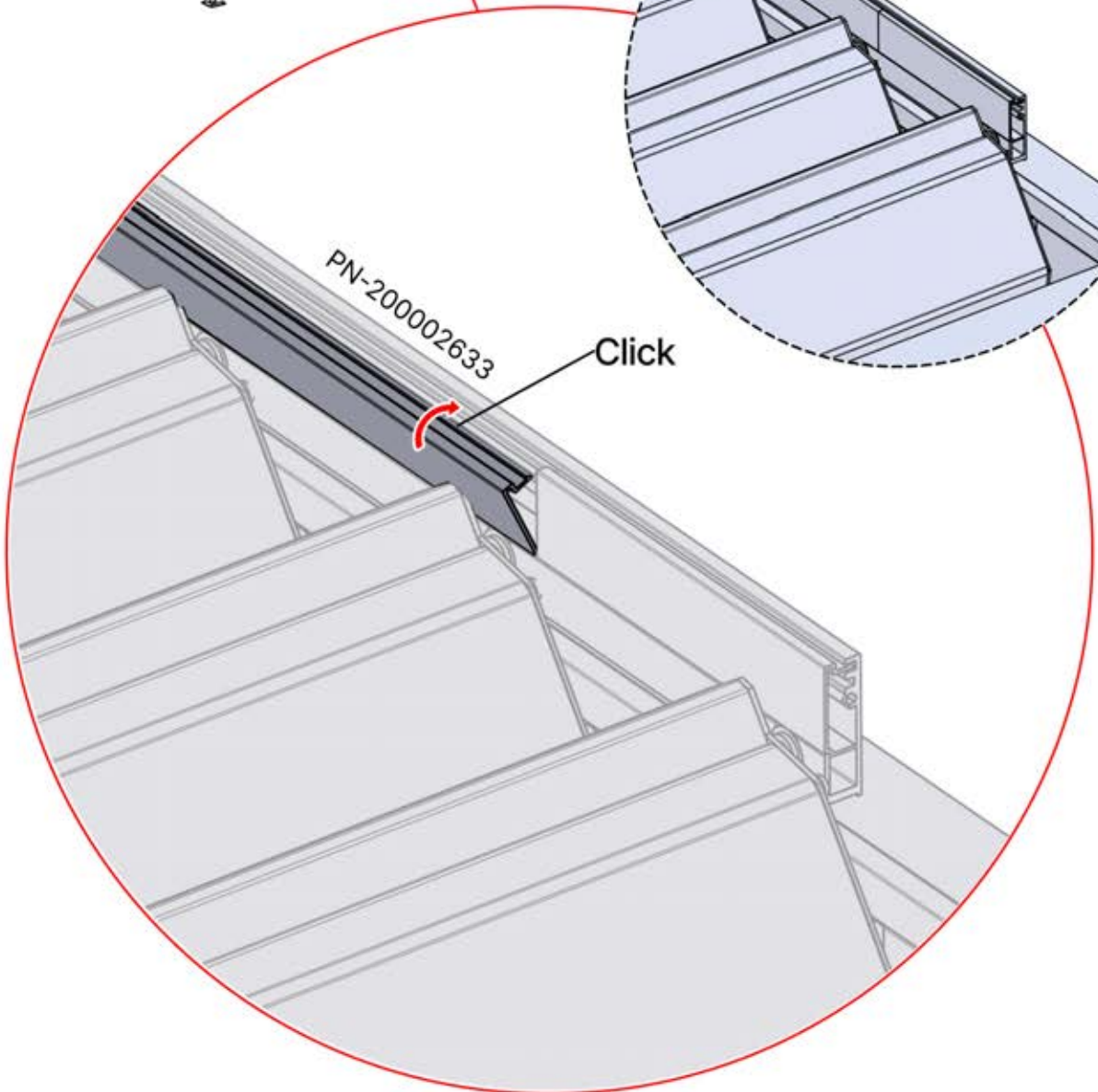
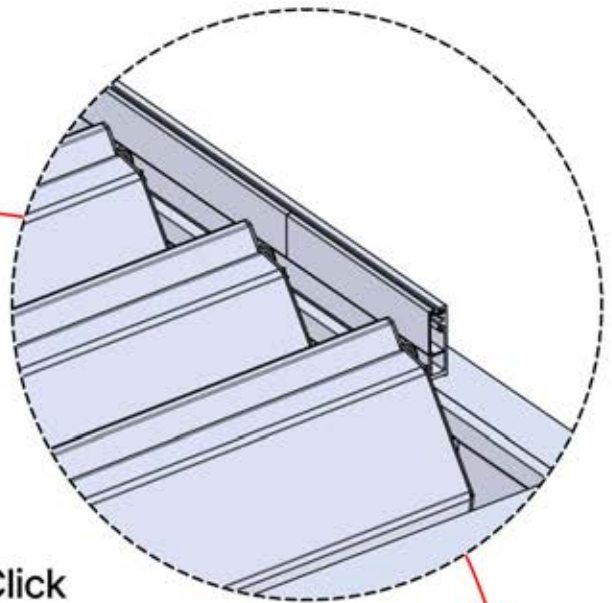
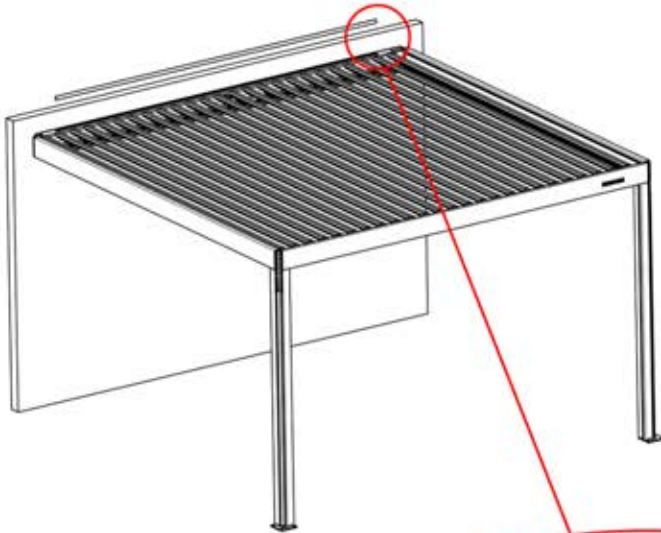


54



4

ANTHRACITE: B245
WHITE: B253
BLACK: B249

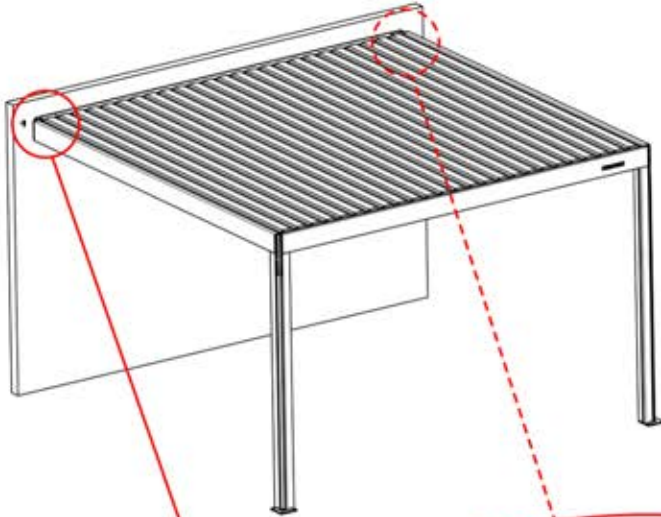


55



4

ANTHRACITE: B245
WHITE: B253
BLACK: B249



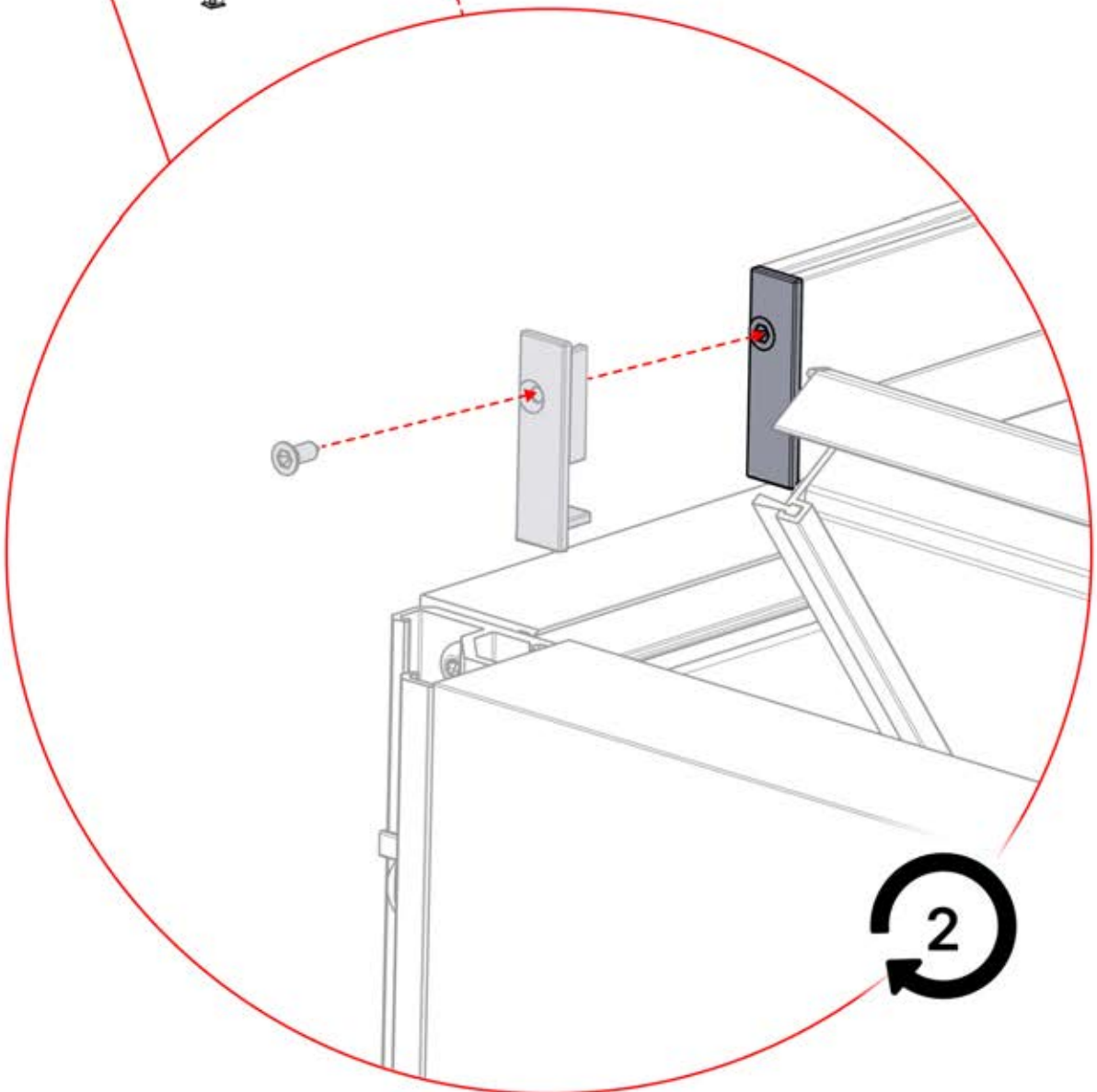
PN-200003030
1x



PN-200003031
1x



PN-200001207
1x

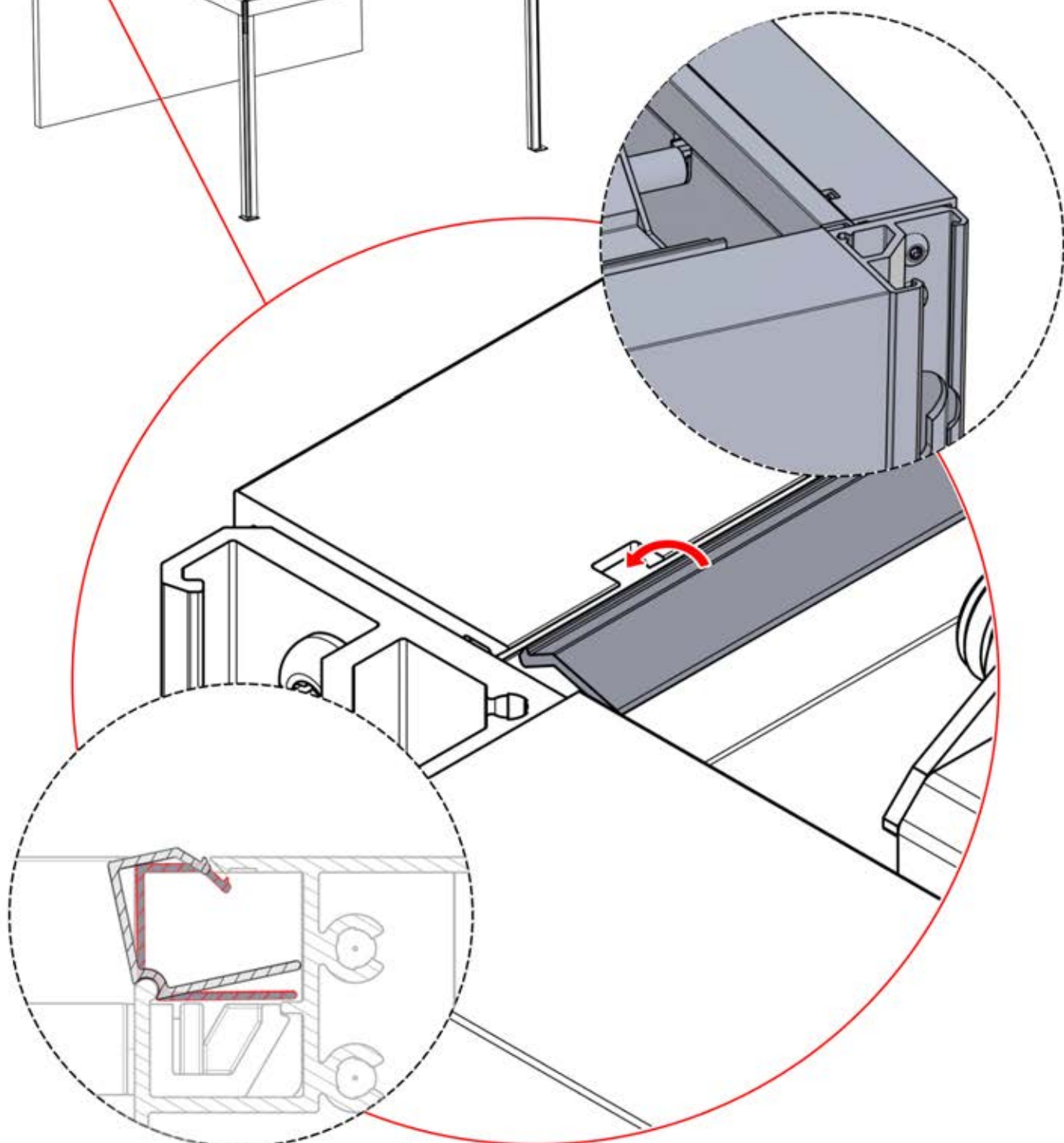
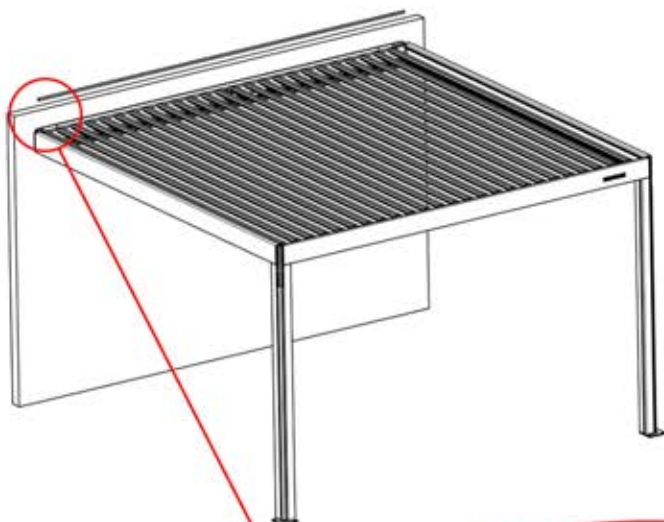
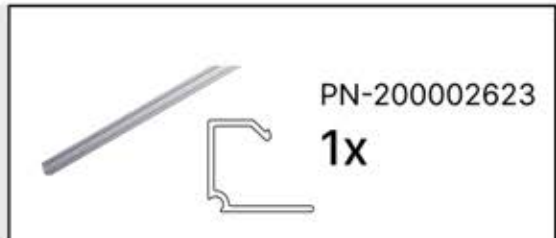


56



4

ANTHRACITE: B245
WHITE: B253
BLACK: B249

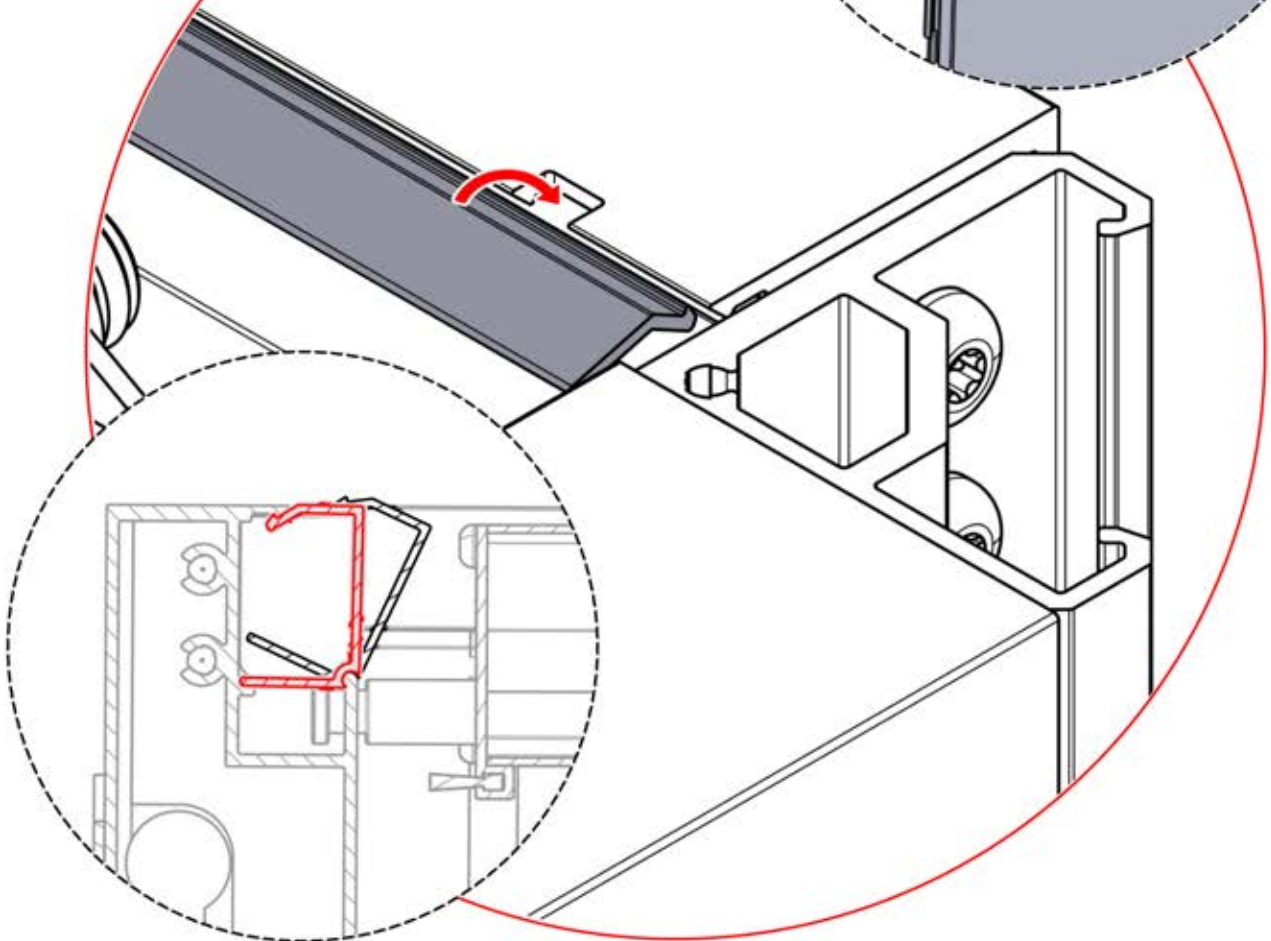
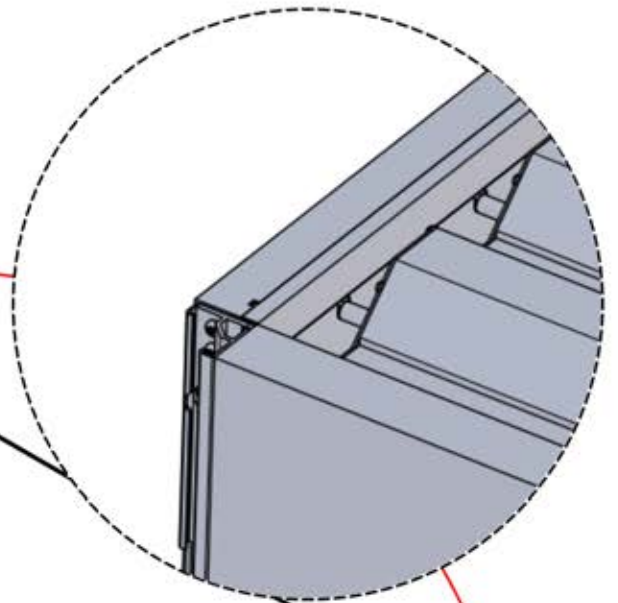
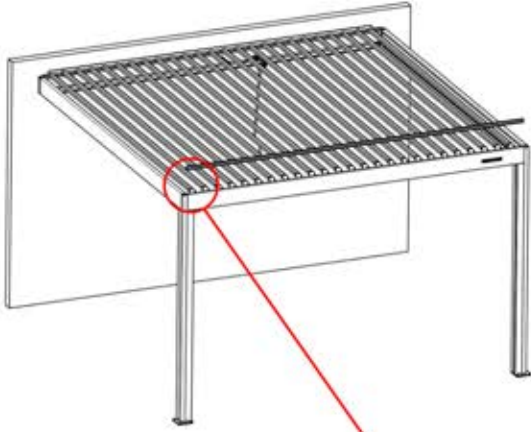
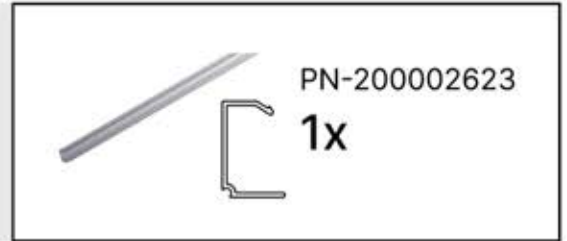


57

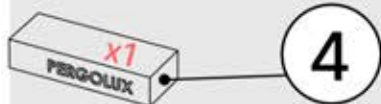


4

ANTHRACITE: B245
WHITE: B253
BLACK: B249



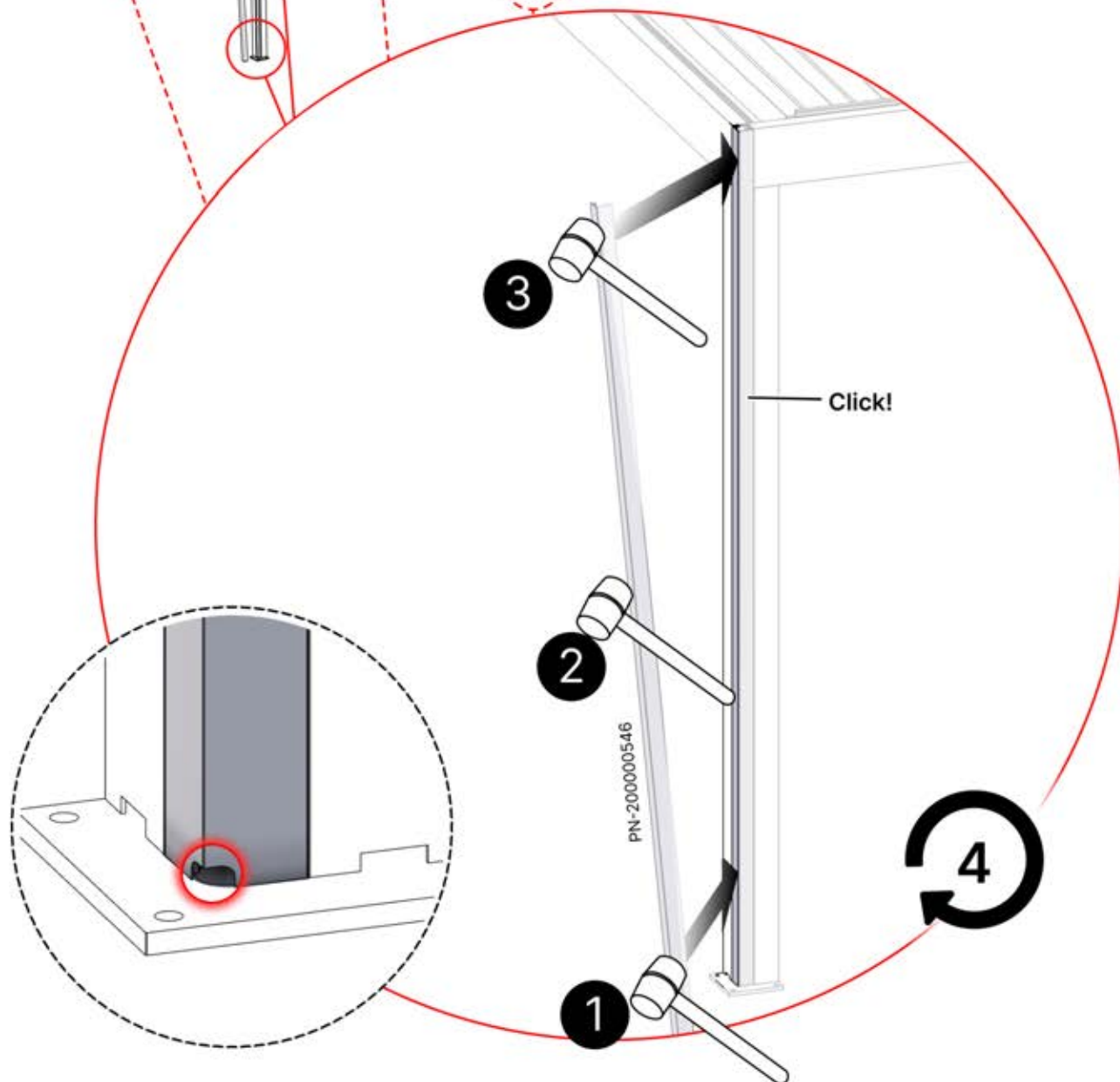
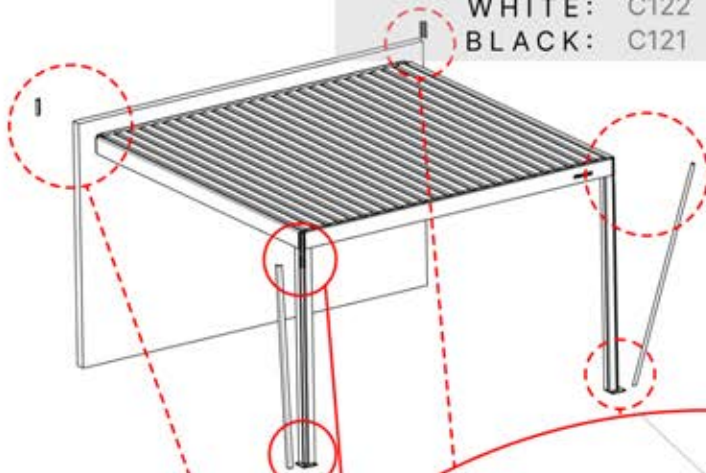
58



ANTHRACITE: B245
WHITE: B253
BLACK: B249



ANTHRACITE: C120
WHITE: C122
BLACK: C121



59



4

ANTHRACITE: B245
WHITE: B253
BLACK: B249



PN-200001514
4x



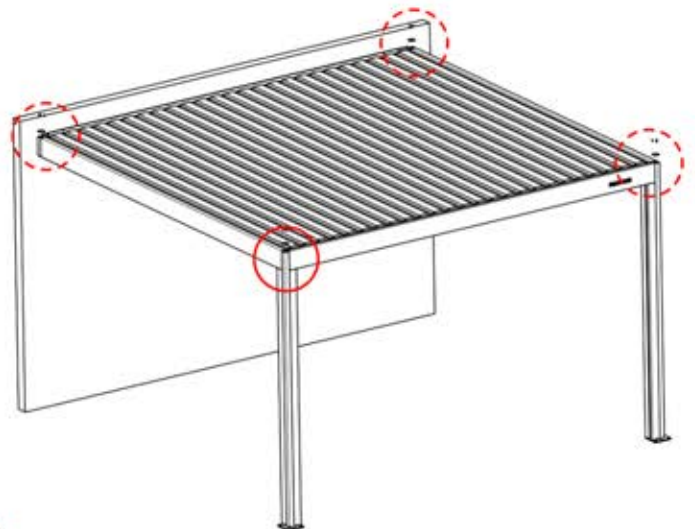
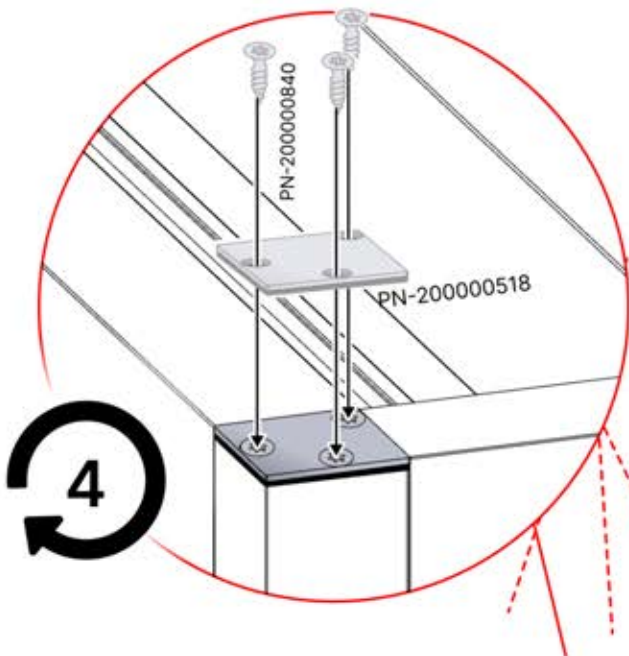
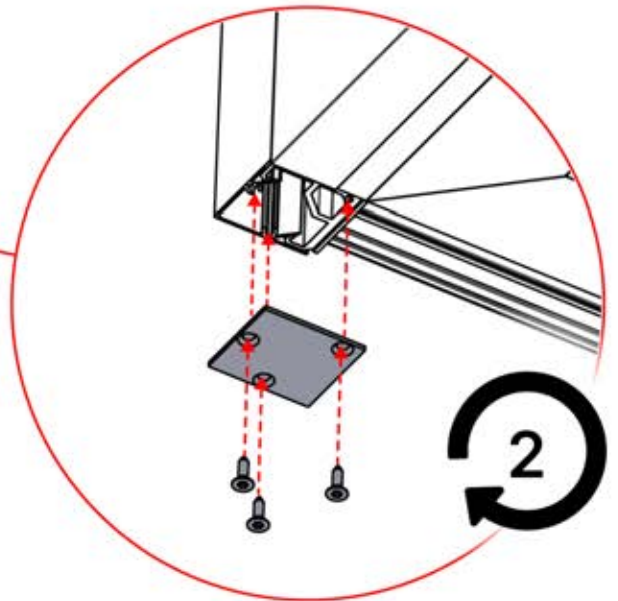
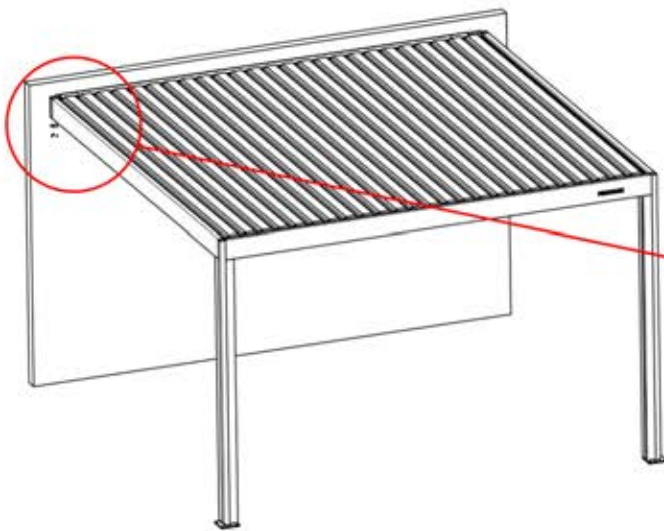
PN-200003323
2x



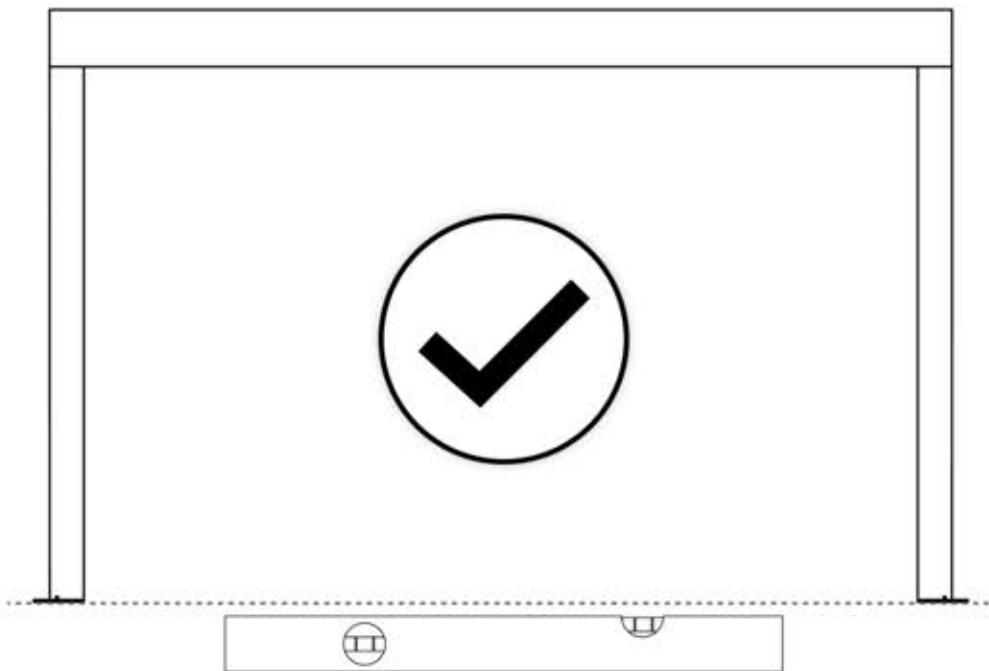
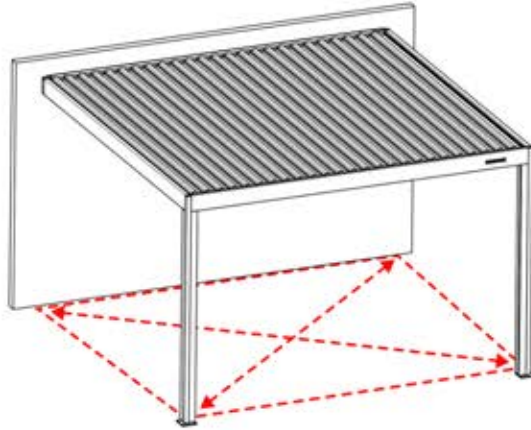
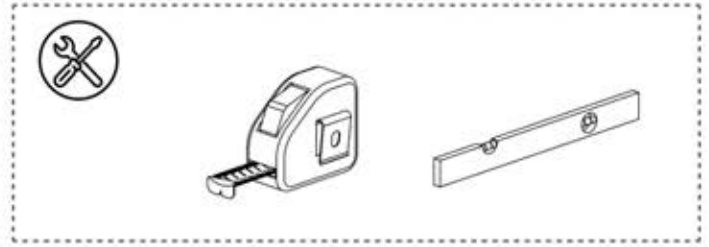
PN-200003322
2x



PN-200000840
18x



60



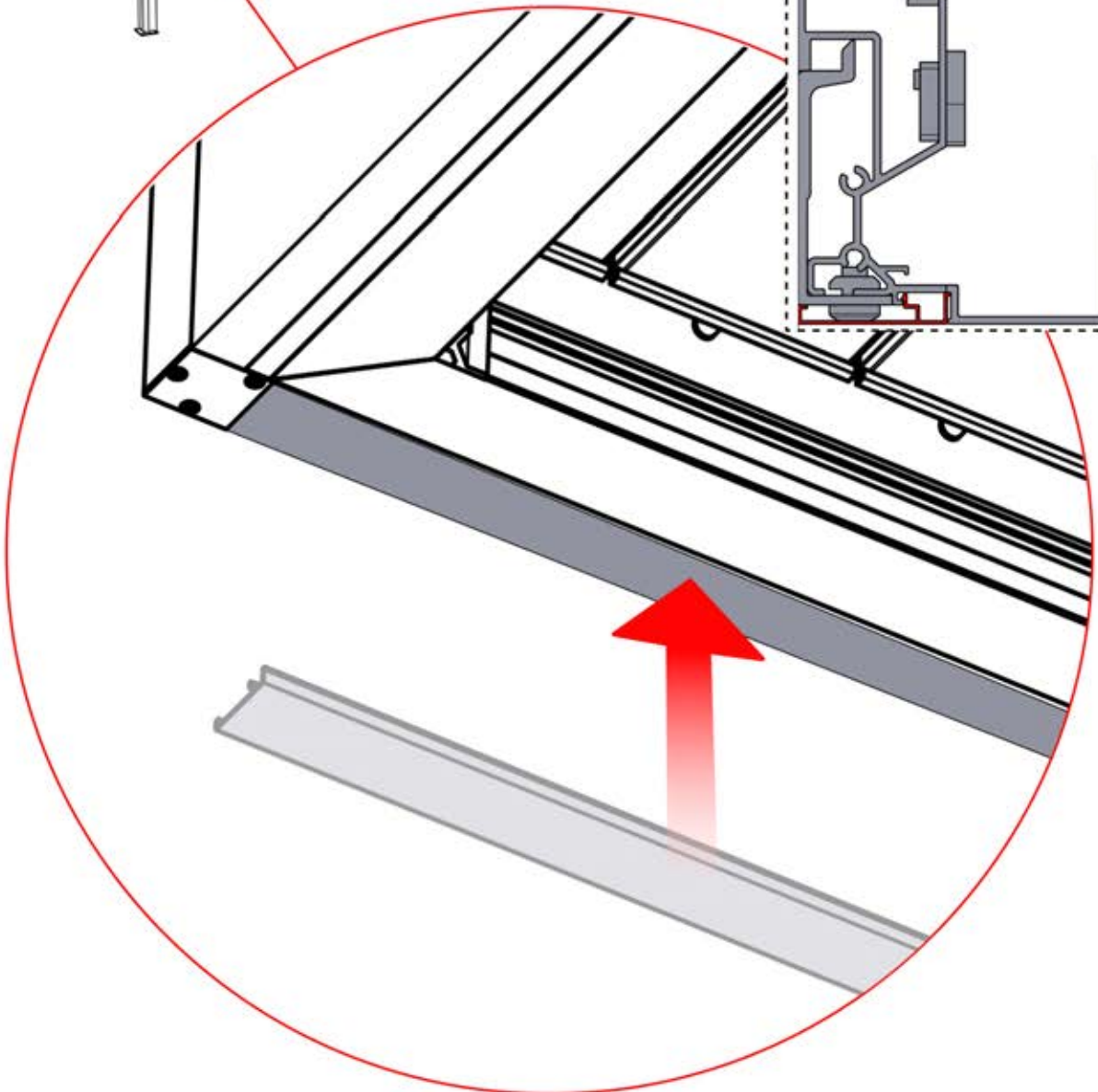
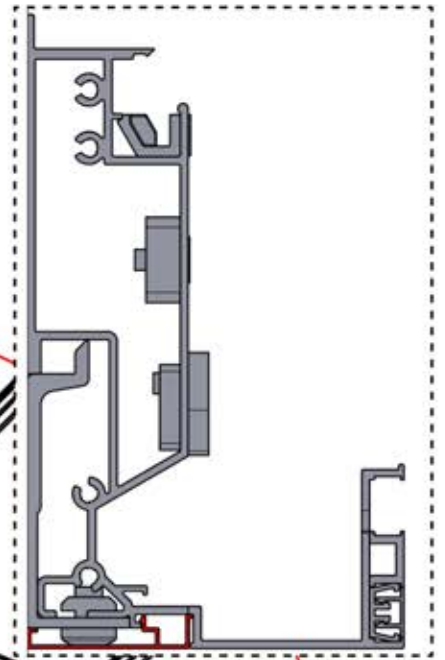
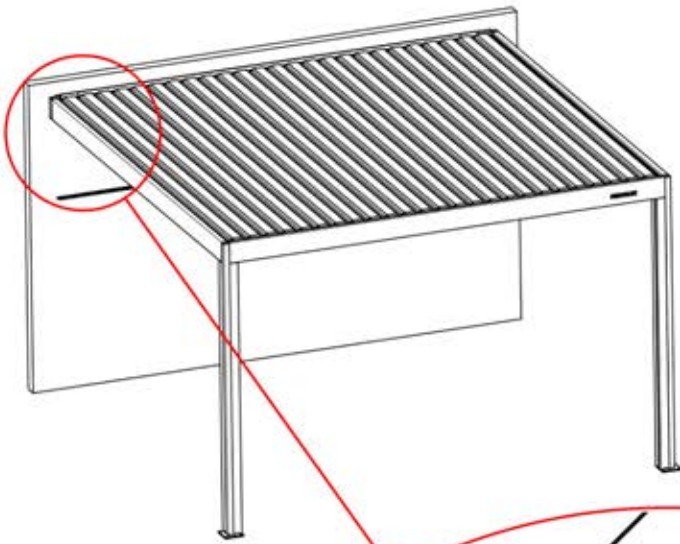
61

x1
FERGOLUX

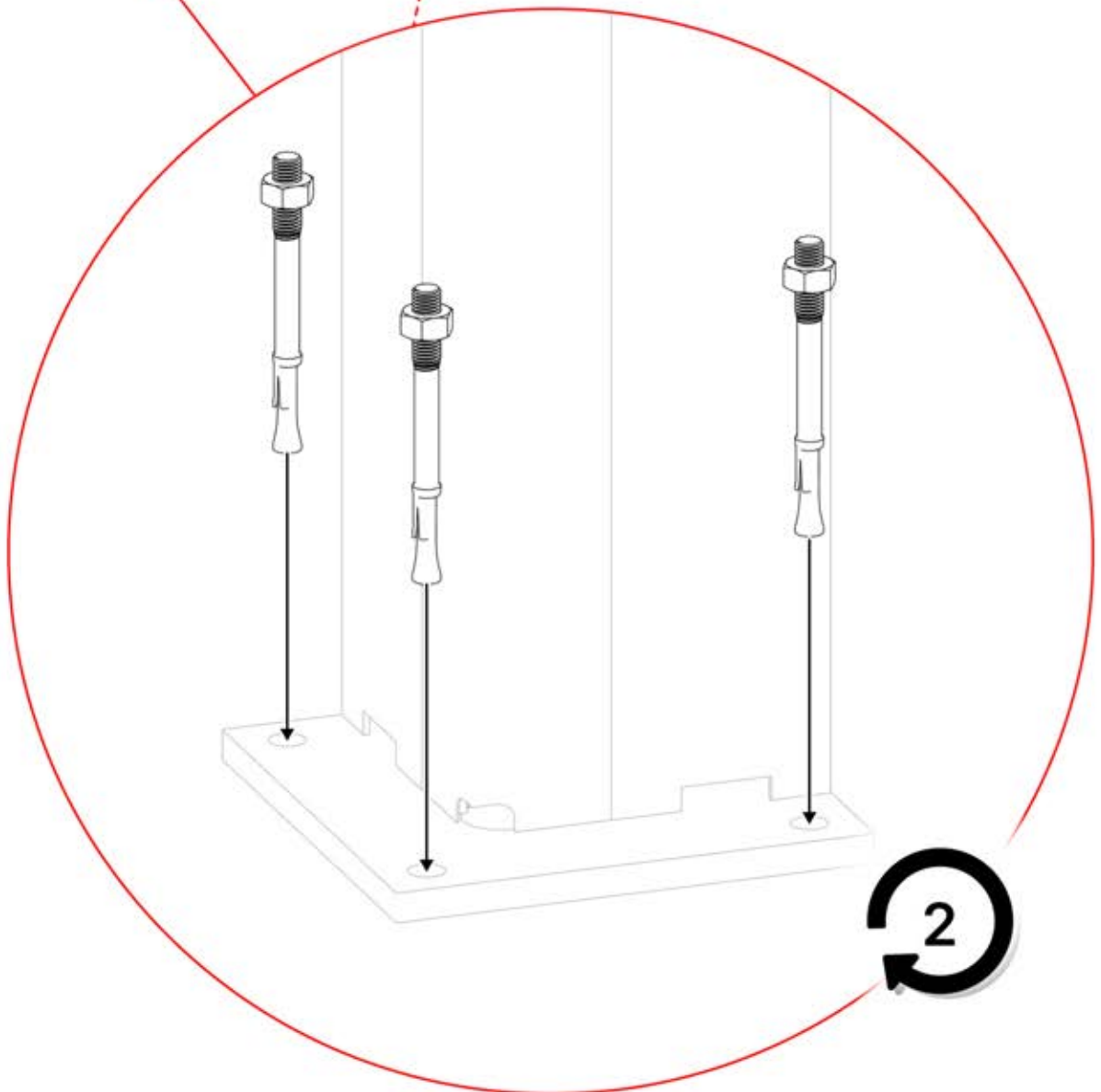
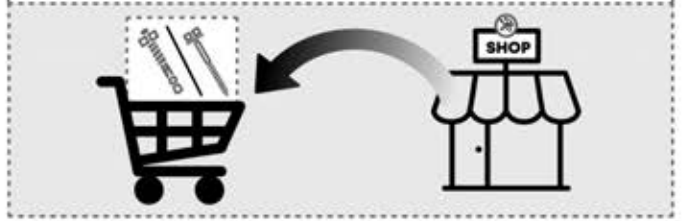
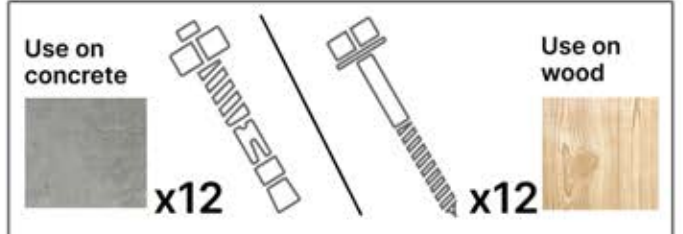
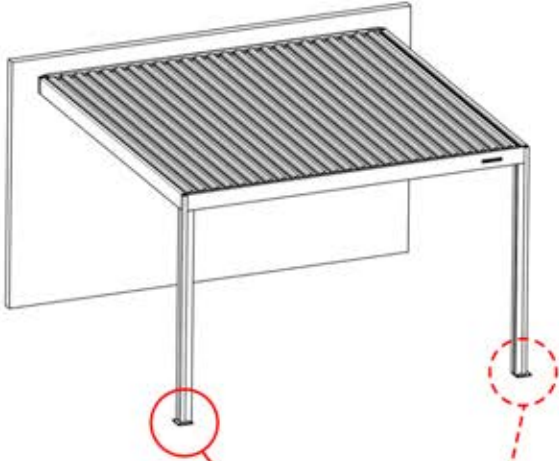
4

ANTHRACITE: B245
WHITE: B253
BLACK: B249

PN-200003329
1x



62



PERGOLUX | CUSTOM DESIGN S4

WALL MOUNTED

