

S4

CUSTOM DESIGN



FREESTANDING

PERGOLUX



Designed and
developed
in Norway



Type Approved
Regular
Production
Surveillance

www.tuv.com
ID 1111293124

INFORMATION



INSTALLATION INSTRUCTIONS:

Ensure all parts are present and undamaged before starting the assembly.

Secure to a solid foundation with the correct fasteners for your foundation.

(If applicable) Install motors and wiring as shown. Ensure the electrical components are powered off during installation.

Use the correct lifting and installation equipment.

SAFETY WARNINGS:

Keep children and pets away during installation.

Do not operate the structure if parts are loose or improperly installed.

Ensure the structure is securely anchored to prevent accidents.

Do not insert fingers or any objects between the louvres.

MAINTENANCE:

Regularly clean the aluminum structure to maintain its appearance and prevent the accumulation of dirt.

Also, make sure to clean the gutters regularly. Inspect moving parts for wear and lubricate as necessary.

Check anchor points periodically to ensure stability.



INSTALLATIONSANLEITUNG:

Stellen Sie sicher, dass alle Teile vorhanden und unbeschädigt sind, bevor Sie mit der Montage beginnen.

Befestigen Sie sie mit den richtigen Befestigungselementen für Ihr Fundament auf einem soliden Fundament.

(Falls zutreffend) Installieren Sie Motoren und Verkabelung wie gezeigt. Stellen Sie sicher, dass die elektrischen Teile während der Installation ausgeschaltet sind.

Verwenden Sie die richtige Hebe- und Installationsausrüstung.

SICHERHEITSHINWEISE:

Halten Sie Kinder und Haustiere während der Installation fern.

Betreiben Sie die Struktur nicht, wenn Teile lose oder nicht richtig installiert sind.

Stellen Sie sicher, dass die Struktur sicher verankert ist, um Unfälle zu vermeiden.

Stecken Sie keine Finger oder andere Gegenstände zwischen die Lamellen.

WARTUNG:

Reinigen Sie die Aluminiumstruktur regelmäßig, um ihr Aussehen zu erhalten und die Ansammlung von Schmutz zu verhindern.

Reinigen Sie auch die Dachrinnen regelmäßig. Überprüfen Sie bewegliche Teile auf Verschleiß und schmieren Sie sie bei Bedarf.

Überprüfen Sie die Ankerpunkte regelmäßig, um die Stabilität sicherzustellen.



Pergolux GmbH, 9 Goethestraße,
36043 Fulda,
Germany

26

DOP-PRO-FSWM-S4

EN 13561:2015

Pergolux Pergola PRO S4

External use in buildings and other
construction works

Resistance to wind loads: Class6(EN13561)

SYMBOL EXPLANATION



Indicates the outside of the pergola structure.



This step may require extra force.



Indicates the inside of the pergola structure.



Key information to follow during installation.



Important! Be cautious when assembling or handling this part.



This item must be purchased separately.



Required tools for assembly.



Apply lubricant to make screw assembly easier.



Ensure grounding is connected before powering up.



Do not use a regular hammer, as it may cause damage.



Align slats according to sunlight direction for optimal shading.



AC Input



Repeat this step as many times as the number indicates



Motor



Turn around






























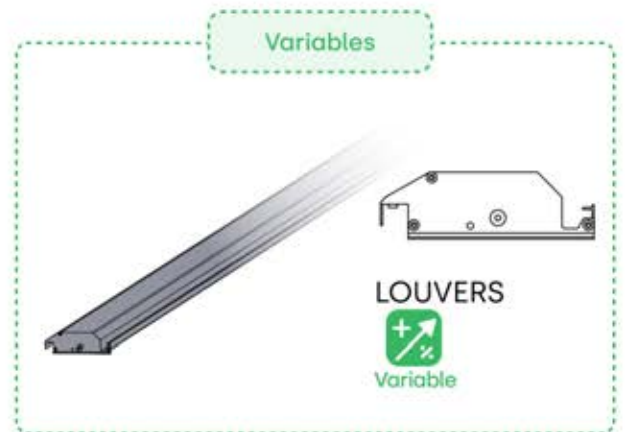
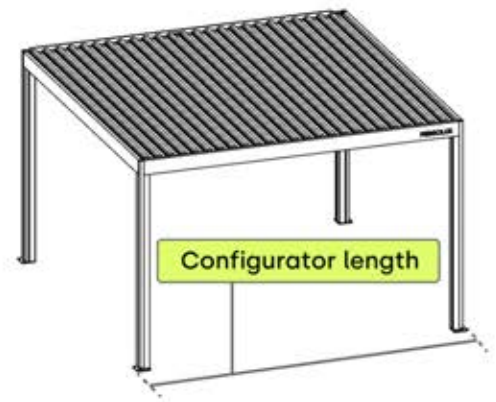
Variables



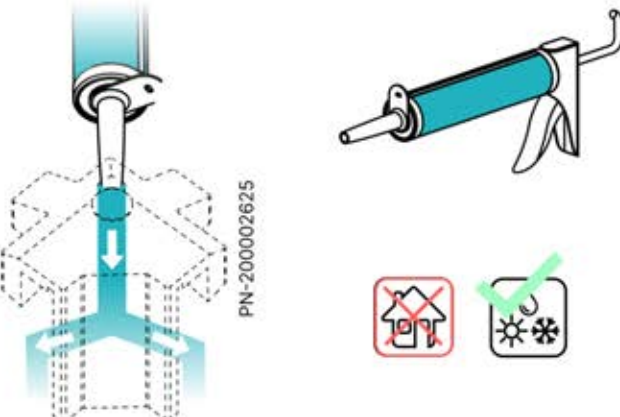
Repeat is variable

VARIABLES

Your Configurator length	Your variable
<1580	= x9 
<1730	= x10 
<1880	= x11 
<2030	= x12 
<2180	= x13 
<2330	= x14 
<2480	= x15 
<2630	= x16 
<2780	= x17 
<2930	= x18 
<3080	= x19 
<3230	= x20 
<3380	= x21 
<3530	= x22 
<3680	= x23 
<3830	= x24 
<3980	= x25 
<4130	= x26 
<4280	= x27 
<4430	= x28 
<4580	= x29 
<4730	= x30 
<4880	= x31 
<5060	= x32 
<5360	= x34 
<5660	= x36 
<5960	= x38 

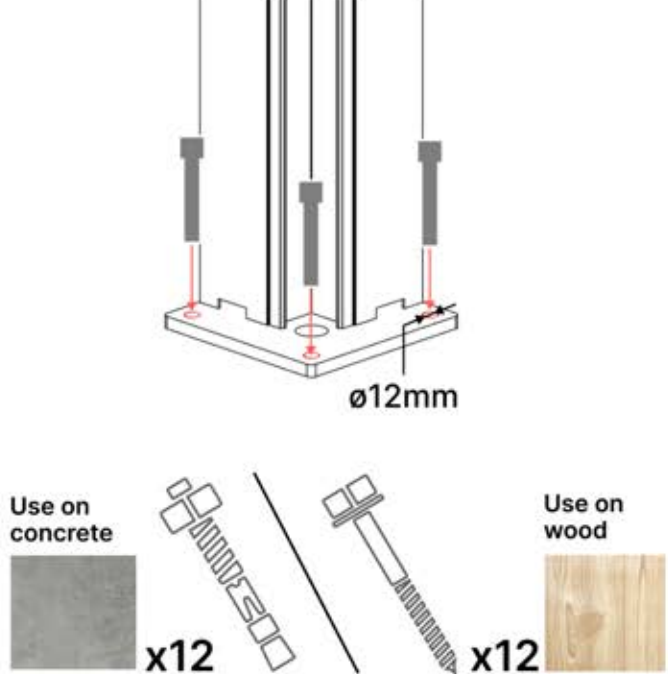


INFORMATION



PN-200002625

Use a high-quality, weather-resistant and mold-resistant adhesive and sealant to seal the corners of the pergola and prevent leakage. Look for products that are designed for outdoor use and provide a strong, long-lasting bond.

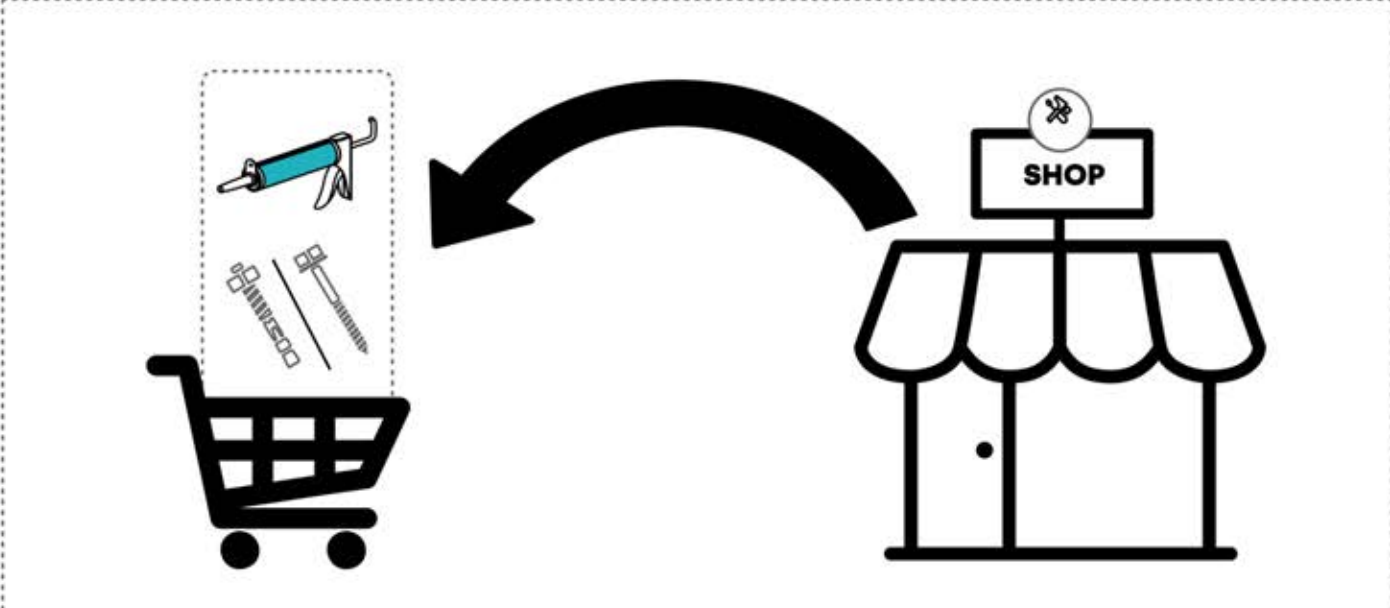


Use on concrete **x12**

Use on wood **x12**

$\varnothing 12\text{mm}$

You need to buy your needed screws to attach the pergola to the ground

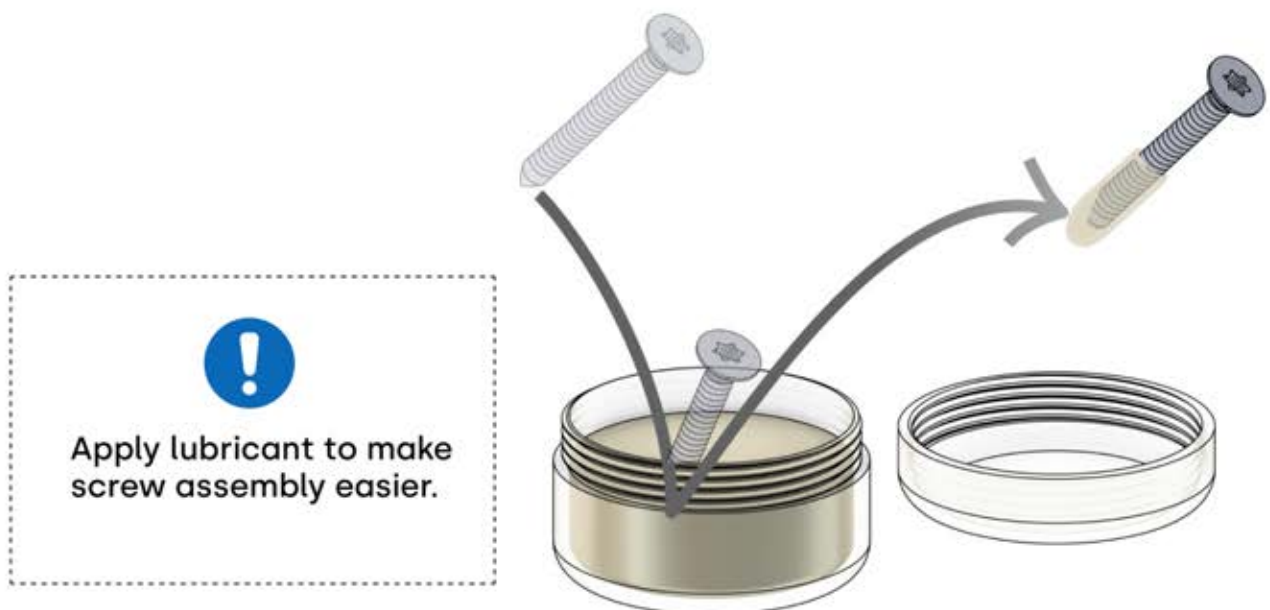


SHOP

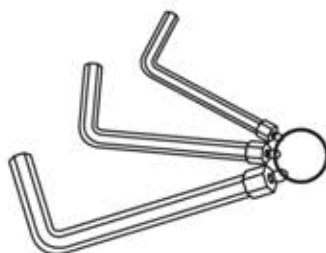
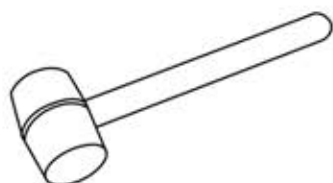
INFORMATION

All screws from **PERGOLUX** are made of stainless steel, ensuring durability and resistance to rust. To prevent damage to screws, follow these guidelines:

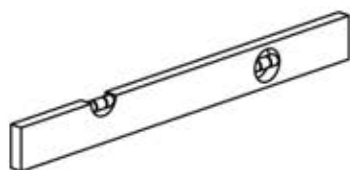
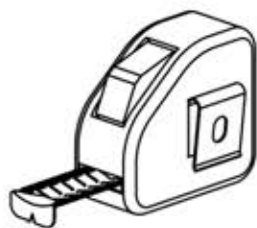
- **DO NOT OVERTIGHTEN:** Apply appropriate force to avoid stripping the threads.
- **CHOOSE THE CORRECT TOOL:** Use the proper screwdriver or bit to avoid damaging the screw head.
- **ENSURE PROPER USE:** With correct installation, screws will maintain their integrity and functionality over time.
- **USE LUBRICATION:** Apply lubricant to make screw assembly easier.



INFORMATION



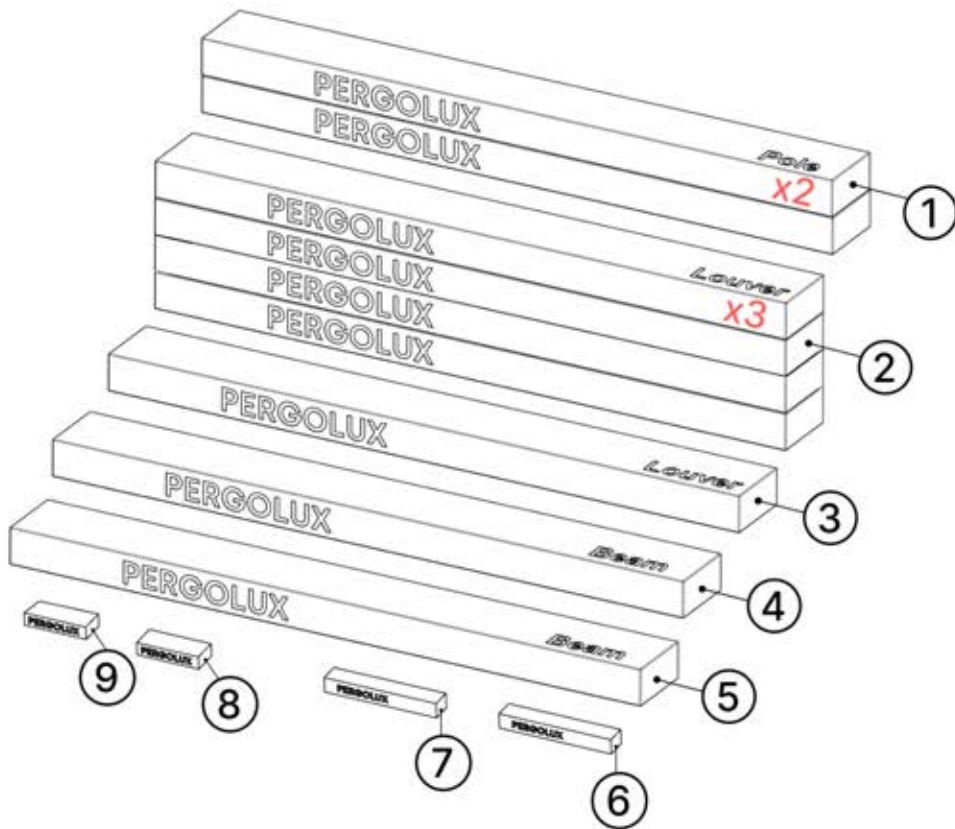
3mm, 4mm, 5mm



TX15, TX20, TX25, TX30

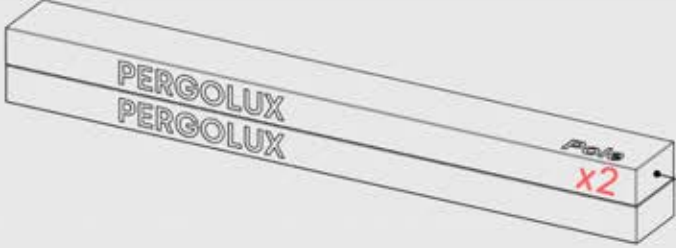


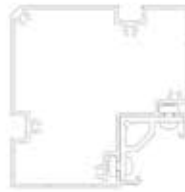
PACKAGE OVERVIEW



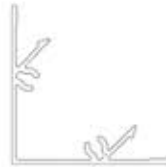
ORDER	ANTHRACITE	WHITE	BLACK
①	C120	C122	C121
②	L216	L220	L218
③	L228	L232	L230
④	B233	B241	B237
⑤	B257	B261	B259
⑥	WHITE / RGB LED		
⑦	MOTOR		
⑧	CONTROL BOX		
⑨	POWER CABLE		

ITEMS IN BOX

	ANTHRACITE	WHITE	BLACK
	C120	C122	C121



PN-200002606
4x

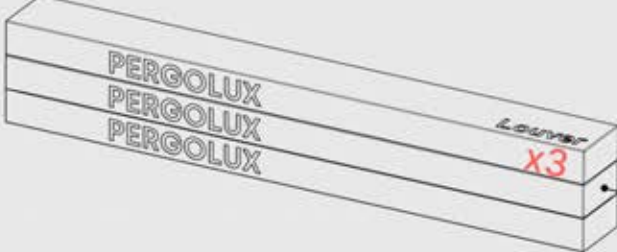


PN-200003386
4x


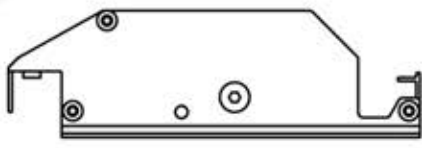


PN-200002614
4x


ITEMS IN BOX




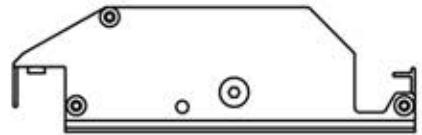
	ANTHRACITE	WHITE	BLACK
2	L216	L220	L218


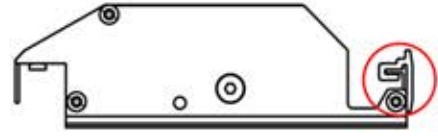
PN-200002980
Variable



	ANTHRACITE	WHITE	BLACK
3	L228	L232	L230





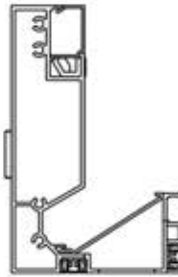
PN-200002980
Variable

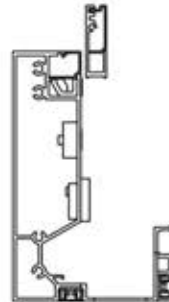
PN-200002985
1x

ITEMS IN BOX

	ANTHRACITE	WHITE	BLACK
	4 B233	B241	B237



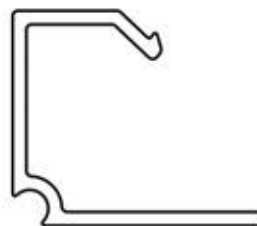
PN-200003283
1x



PN-200002605
1x




PN-200002609
1x



PN-200002623
1x

ITEMS IN BOX

	ANTHRACITE	WHITE	BLACK
	4 B233	B241	B237



PN-200002613
1x



PN-200002633
1x



PN-200003382
1x

ITEMS IN BOX



Note: If accessory bags lack part number stickers, refer to the manual for identification.



ANTHRACITE WHITE BLACK

4

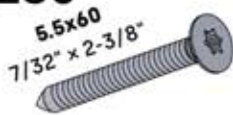
B233

B241

B237



PN-20000
3280



PN-200000560
20x



PN-20000
3320



PN-200000826
2x



PN-20000
3282



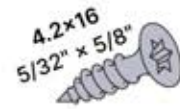
PN-200001514
4x



PN-20000
3276



PN-200002618
4x



PN-200000840
12x



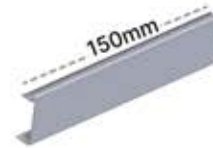
PN-200000571
4x



PN-20000
3278



PN-200003031
1x



PN-200003033
2x

PN-200003030
1x



PN-200001207
2x



PN-20000
3279



PN-200000568
32x



PN-20000
3379



PN-200000960
4x



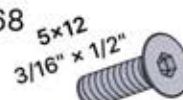
PN-20000
3285



PN-200000507
4x



PN-200000568
4x



PN-200000569
8x

ITEMS IN BOX



Note: If accessory bags lack part number stickers, refer to the manual for identification.



ANTHRACITE

WHITE

BLACK

4

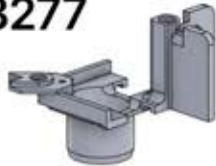
B233

B241

B237



PN-20000
3277

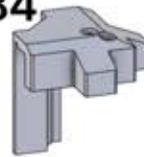


PN-200002617

4x



PN-20000
3284



PN-200002625

4x



PN-20000
3371



PN-200003372

1x



PN-200003373

1x



PN-200001946

1x



PN-200000561

1x



PN-200000502

1x



PN-20000
3281



PN-200002622

4x



PN-200000680


8x



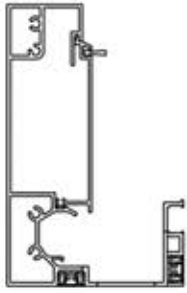
PN-200003209

1x

ITEMS IN BOX



	ANTHRACITE	WHITE	BLACK
5	B257	B261	B259



PN-200003356
2x



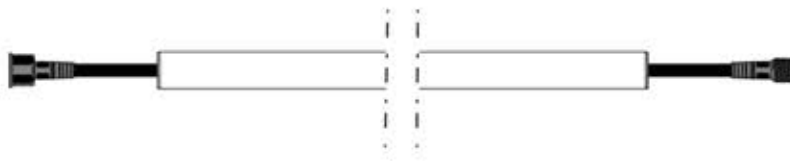
Premounted
 PN-200003555
2x

ITEMS IN BOX



6

WHITE / RGB LED



LED light strip

4x



Y cable

1x



7

ELECTRIC MOTOR



Electric motor
PN-200001562

1x



PN-200001623

1x



PN-200001624

1x



PN-200001625

2x

ITEMS IN BOX

S4



8

CONTROL BOX



Control box

1x



PN-200002756

1x



Matter antenna clip

1x



PN-200002754

1x



PN-200002684

10x



PN-200002758

1x



PN-200002683

5x



PN-200002753

2x



QR-code

1x



PN-200002759

2x



3M tape

1x



PN-200002757

1x

ITEMS IN BOX



9

POWER CABLE



Power cable

1x



All electric parts should be tested before installation.

LEDs + Motor (and heater) should be connected to the Control box and programmed to ensure functionality.

Matter + Smart home can be connected at anytime by simply scanning the QR code provided



CONTROL BOX

[View Manual](#)

TEST OF ELECTRONICS

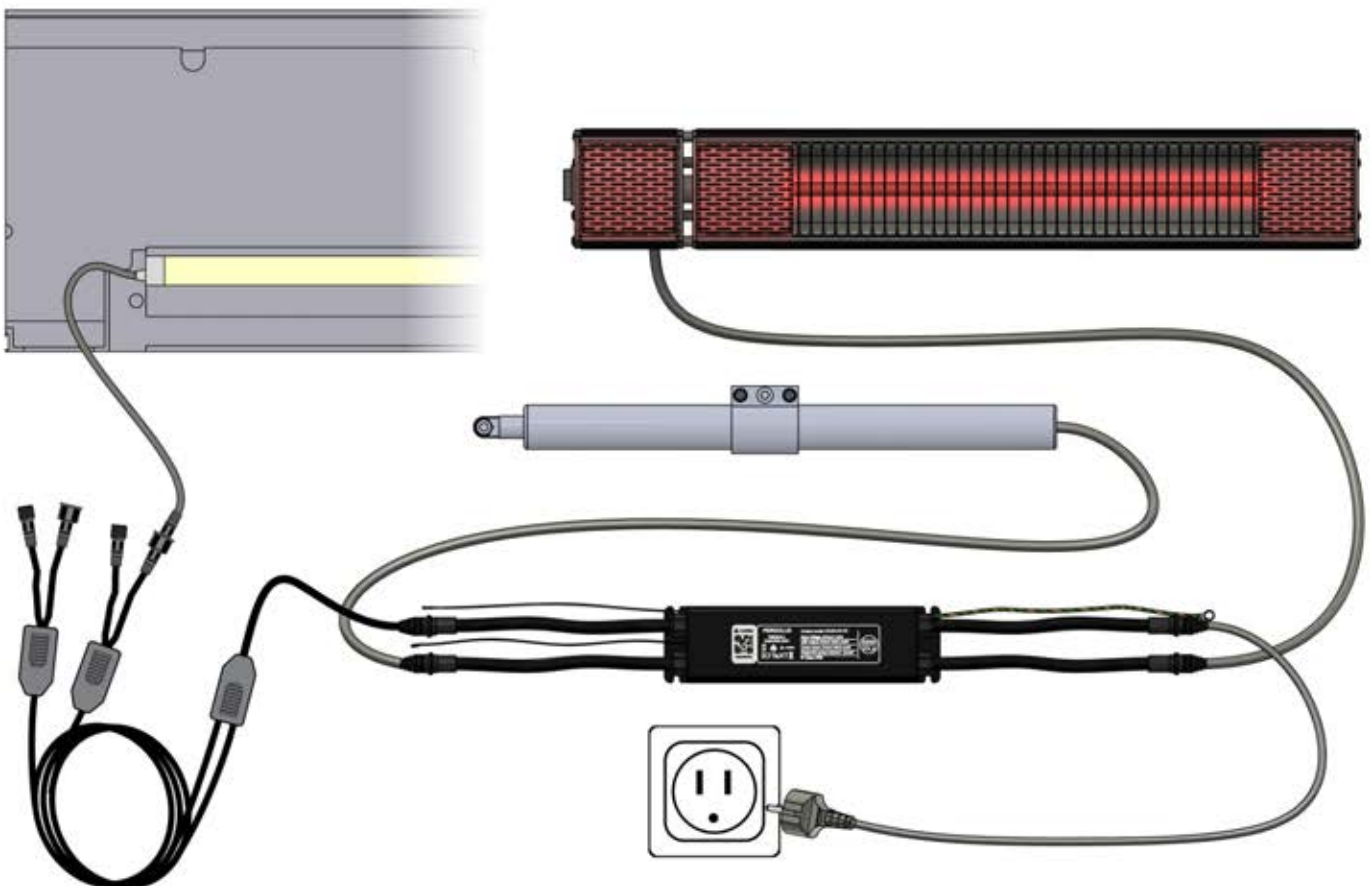
! ** Only if you ordered LED lights to your pergola.



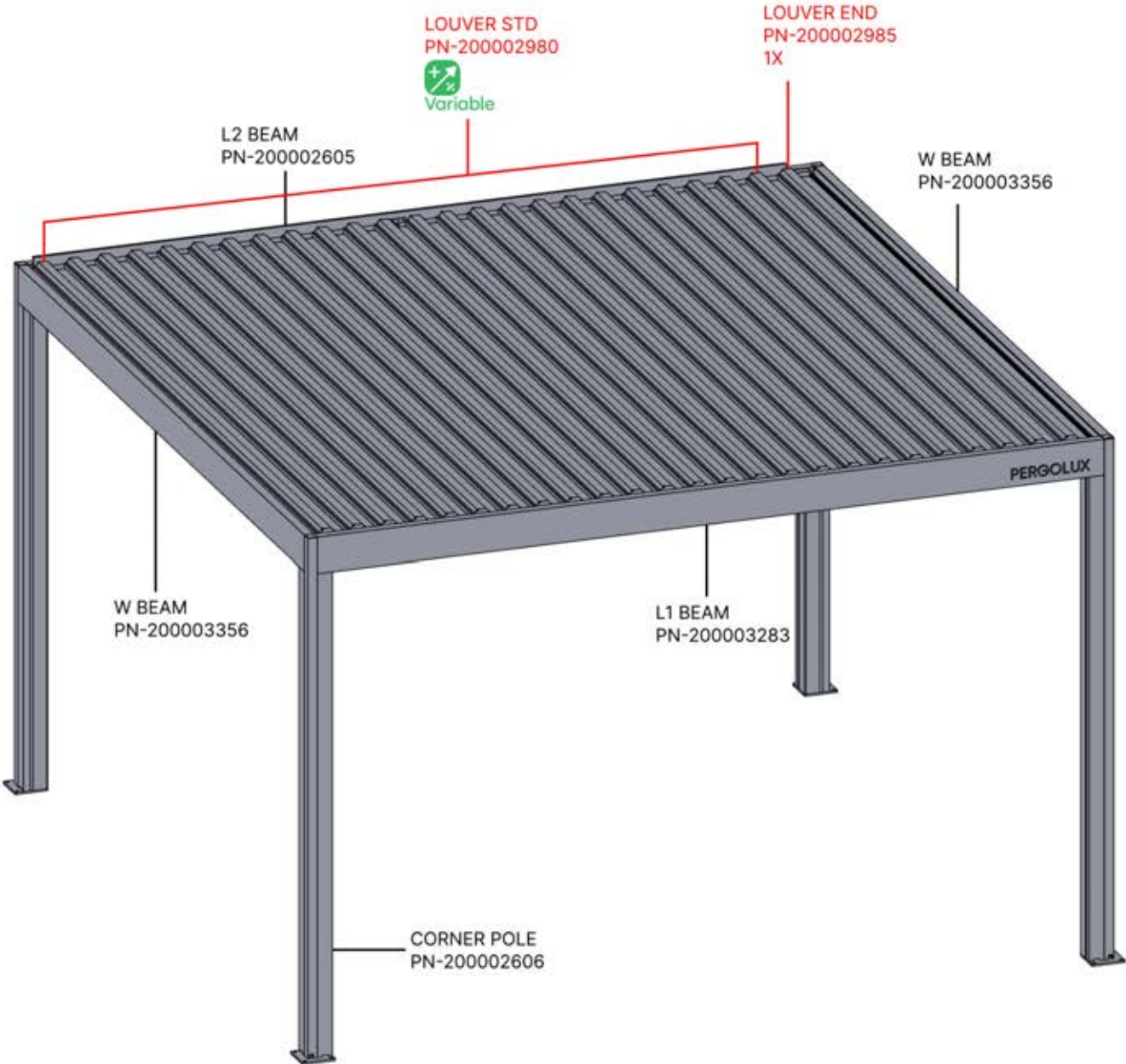
All electric parts should be tested before installation.

LEDs + Motor (and heater) should be connected to the Control box and programmed to ensure functionality.

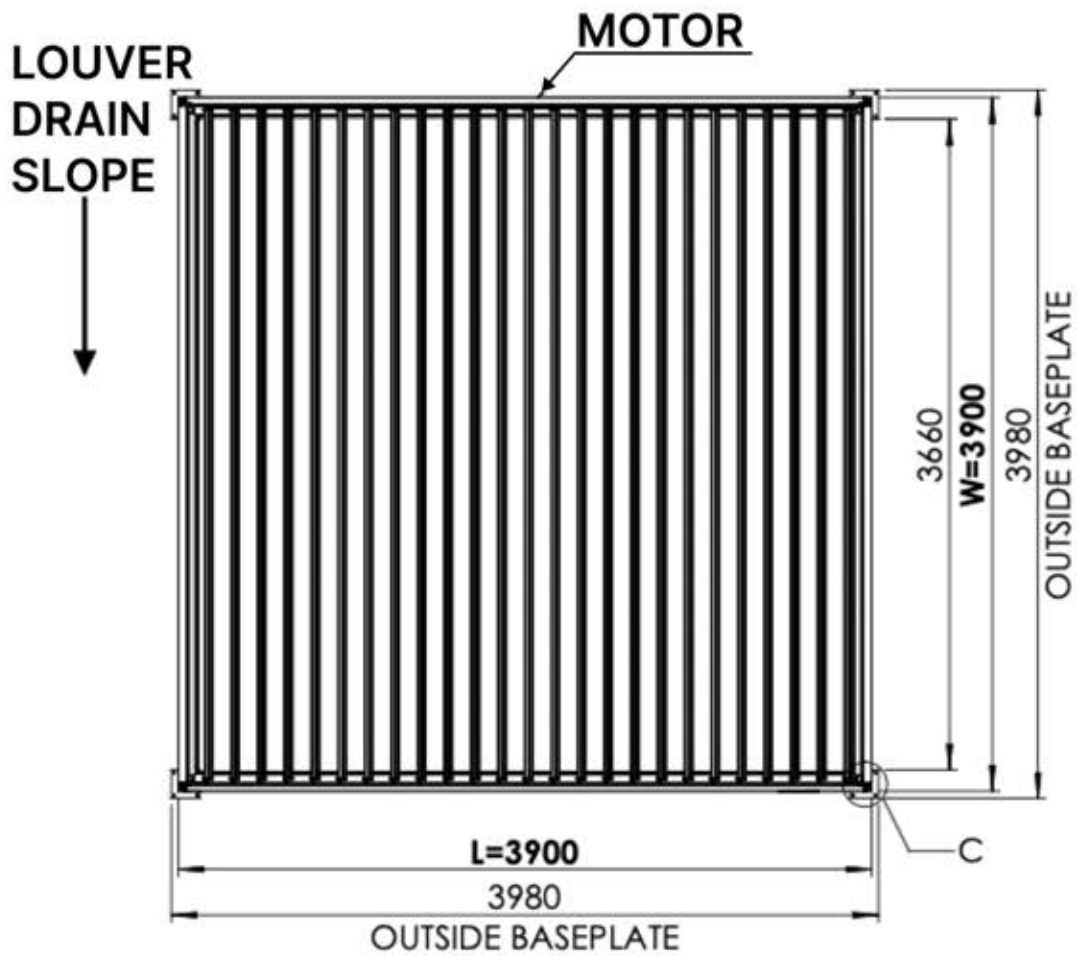
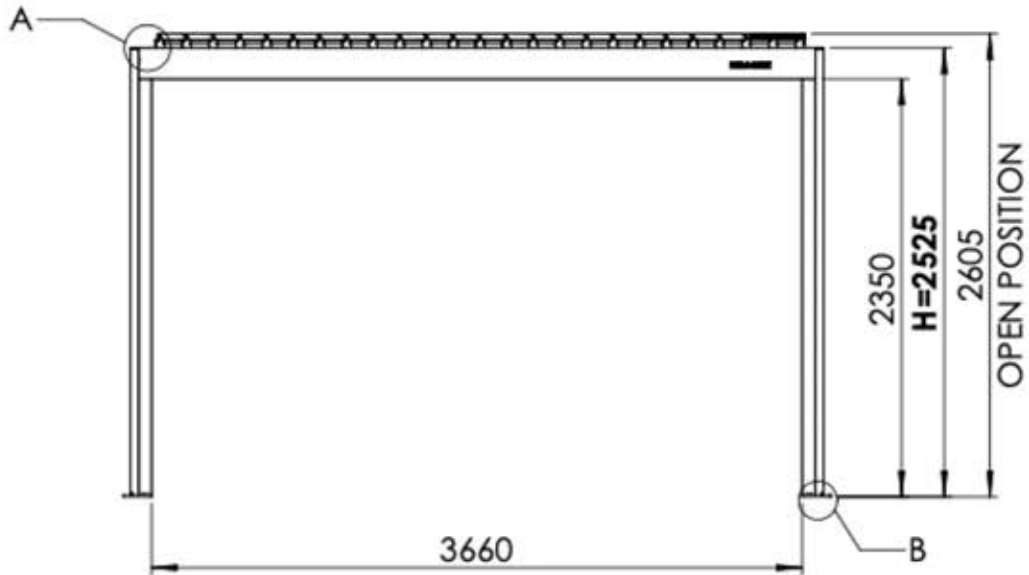
Matter + Smart home can be connected at anytime by simply scanning the QR code provided



FREESTANDING



FREESTANDING



INFORMATION

Are you installing a screen, slat wall or glass wall?

It is recommended to remove these Snapfit covers and clips now before installing the pergola.

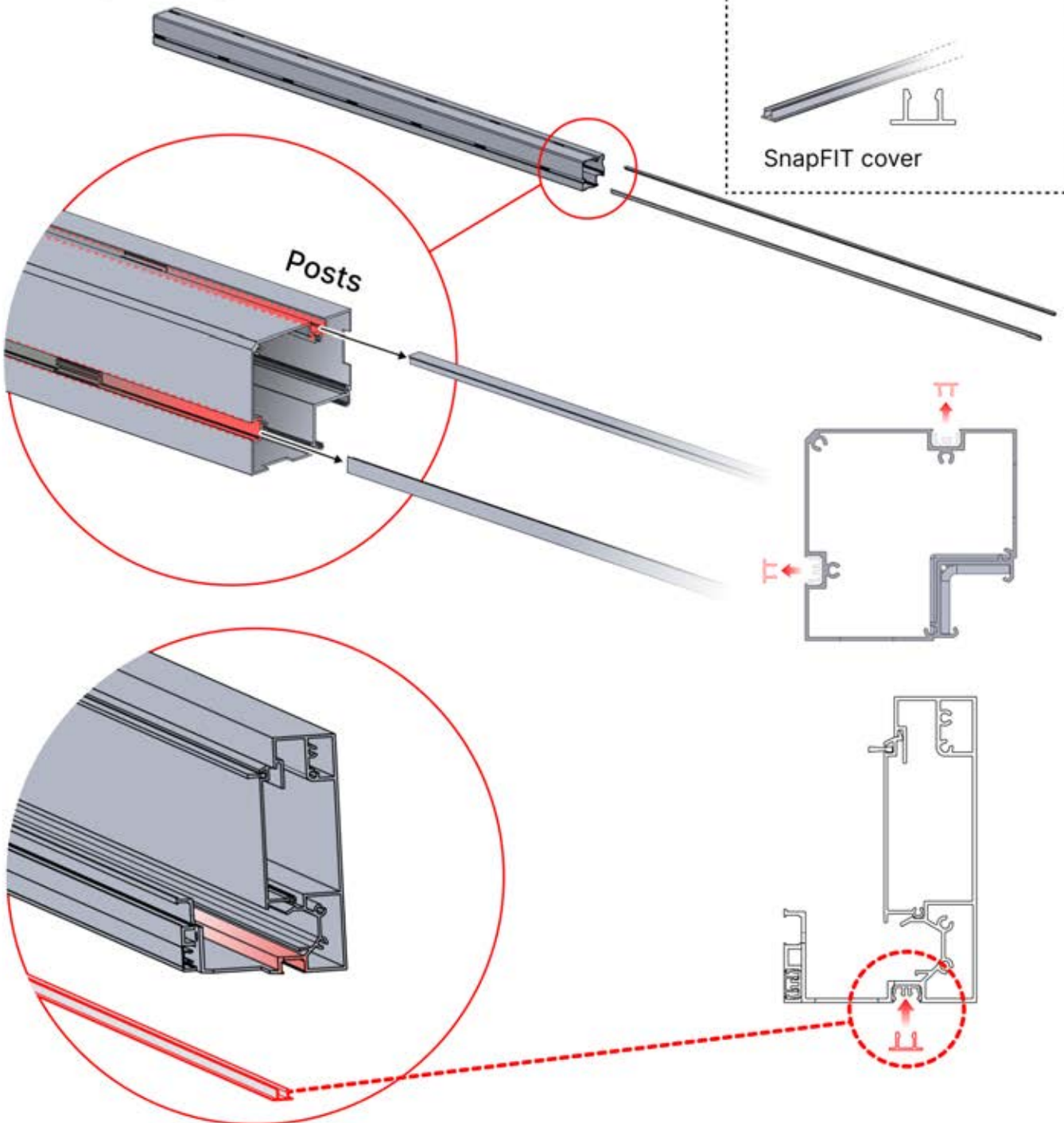
Cover and clips



PN-200000512
SnapFIT cover clip



SnapFIT cover



INFORMATION

Are you installing a heater, fan or LED lights?

It is recommended to remove both snap-fit covers from the beam now.

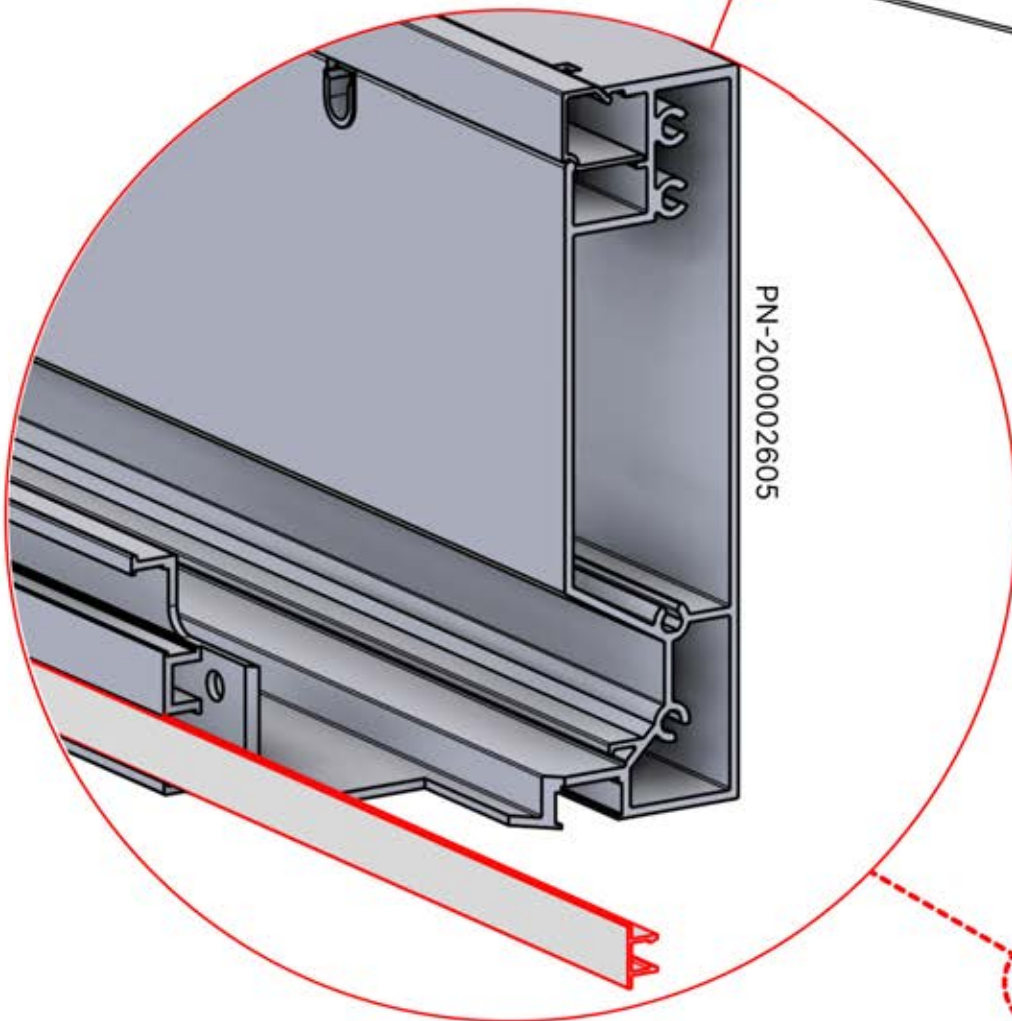
Cover and clips



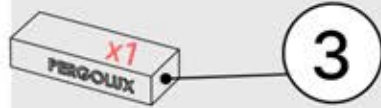
PN-200000512
SnapFIT COVER CLIP



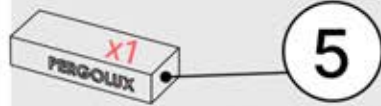
SnapFIT cover



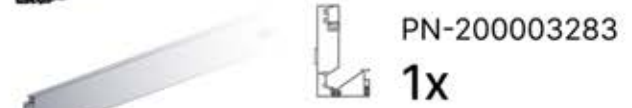
INFORMATION



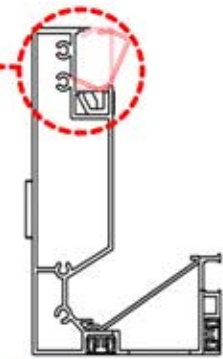
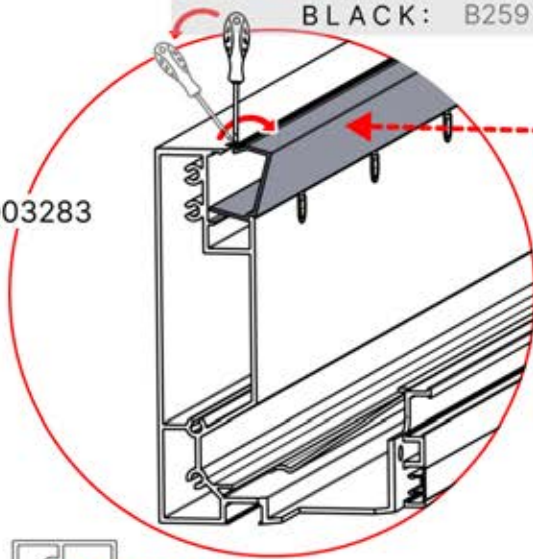
ANTHRACITE: L228
WHITE: L232
BLACK: L230



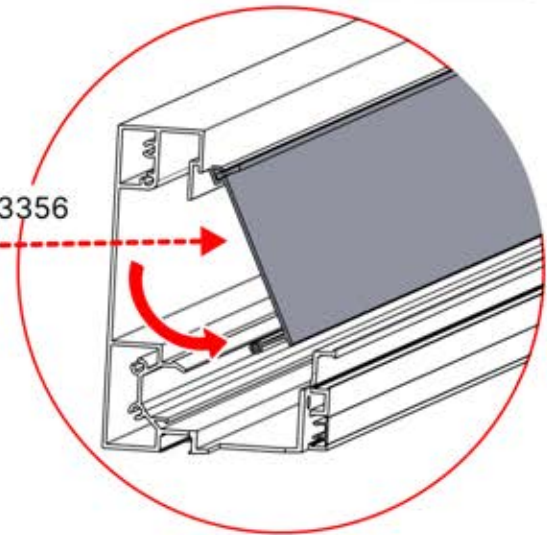
ANTHRACITE: B257
WHITE: B261
BLACK: B259



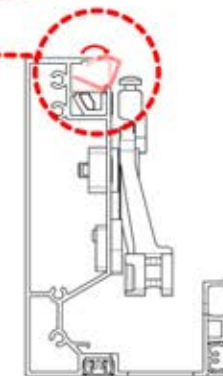
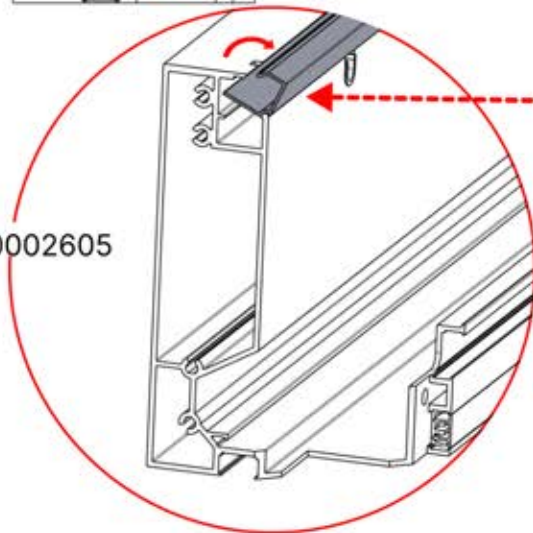
PN-200003283



PN-200003356



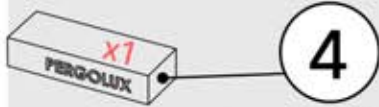
PN-200002605



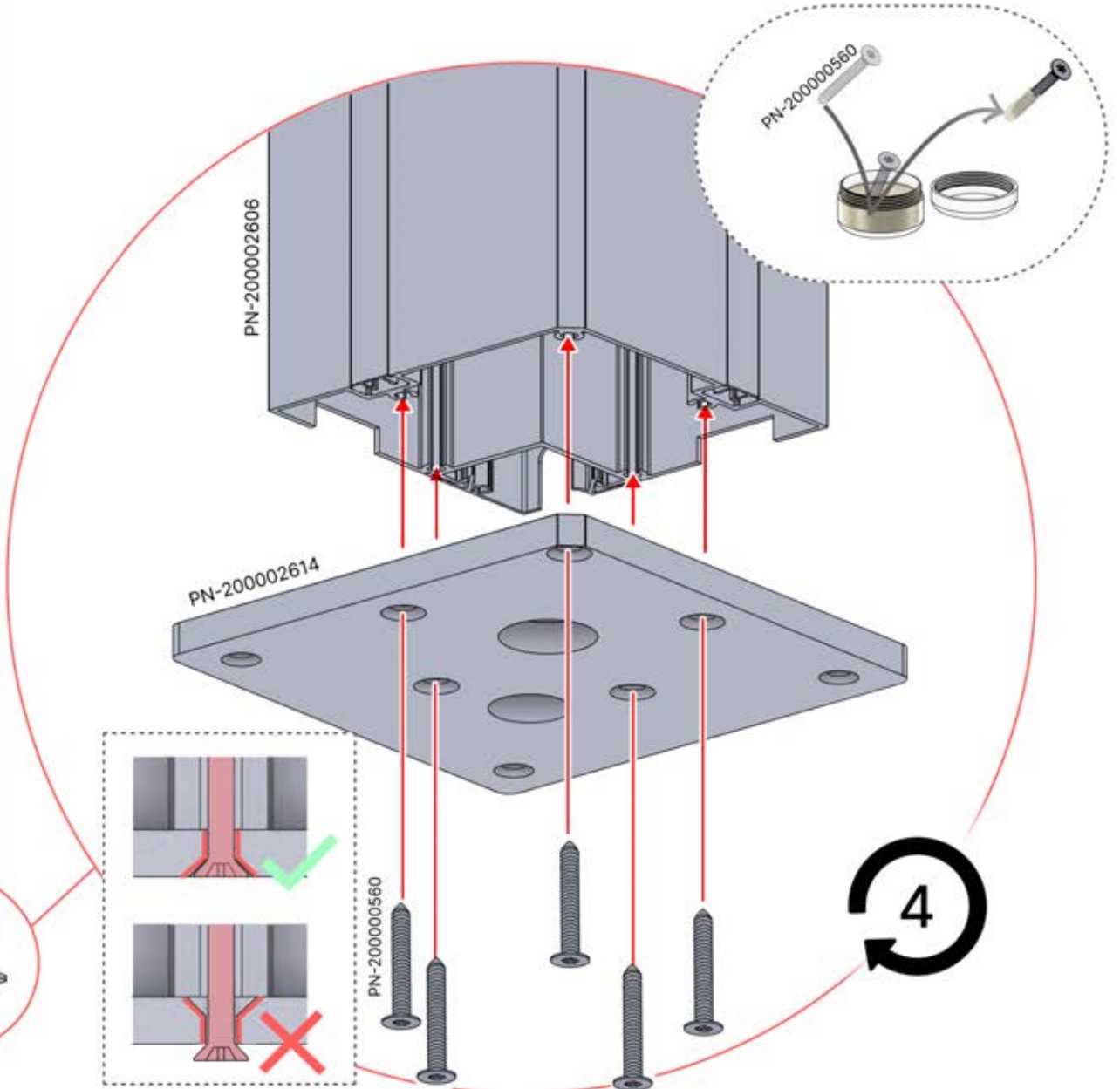
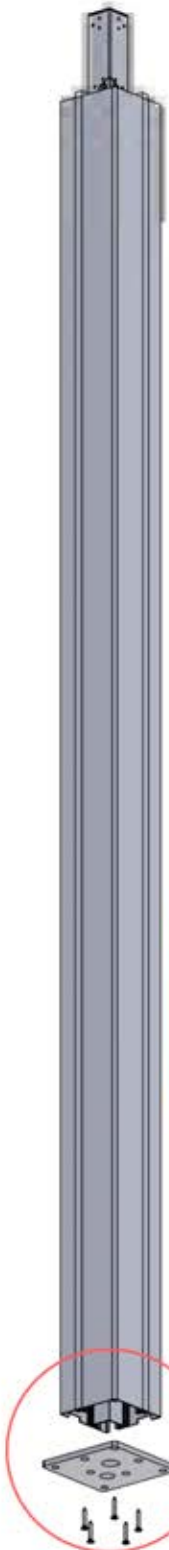
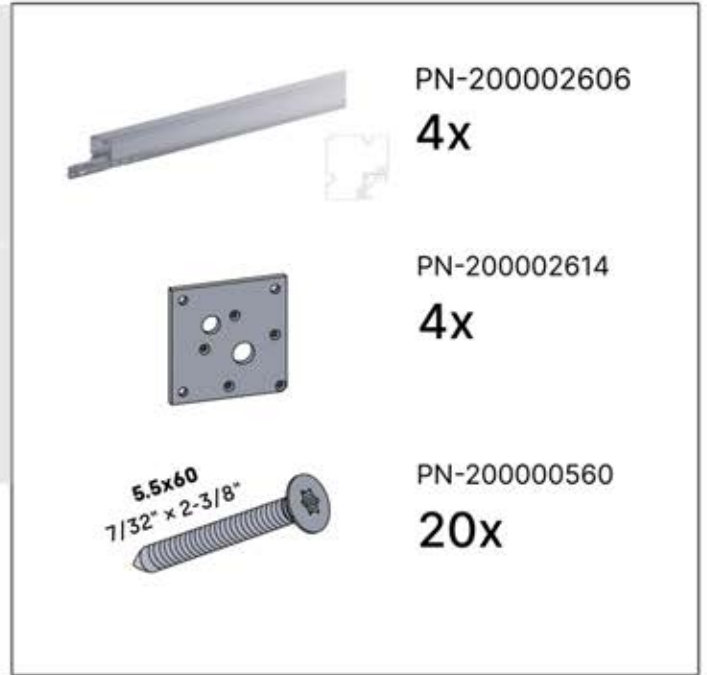
01



ANTHRACITE: C120
WHITE: C122
BLACK: C121



ANTHRACITE: B233
WHITE: B241
BLACK: B237



02

x2
PERGOLUX
PERGOLUX

1

ANTHRACITE: C120
WHITE: C122
BLACK: C121

x1
PERGOLUX

4

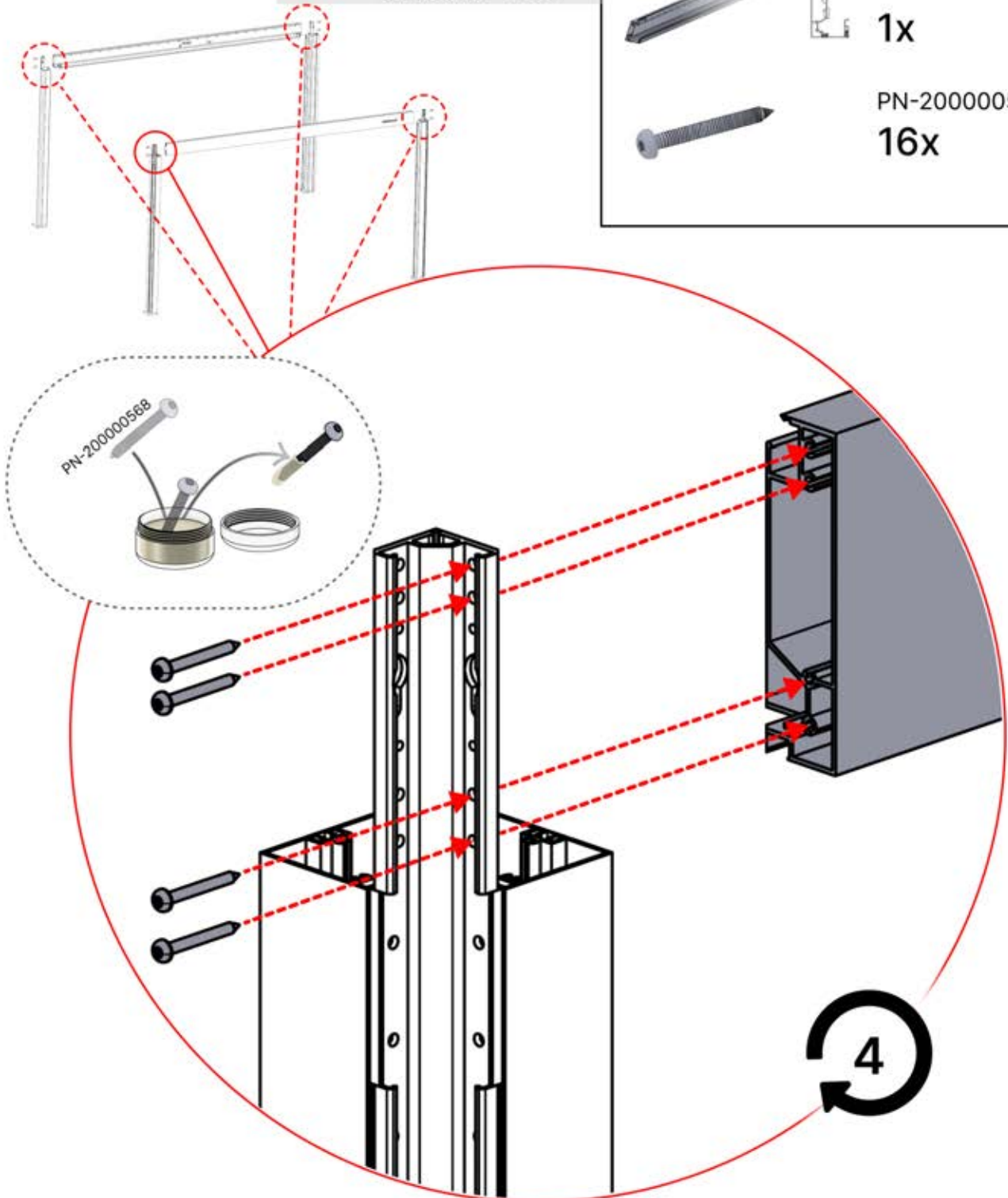
ANTHRACITE: B233
WHITE: B241
BLACK: B237

PN-200002606
4x

PN-200003283
1x

PN-200002605
1x

PN-200000568
16x



03



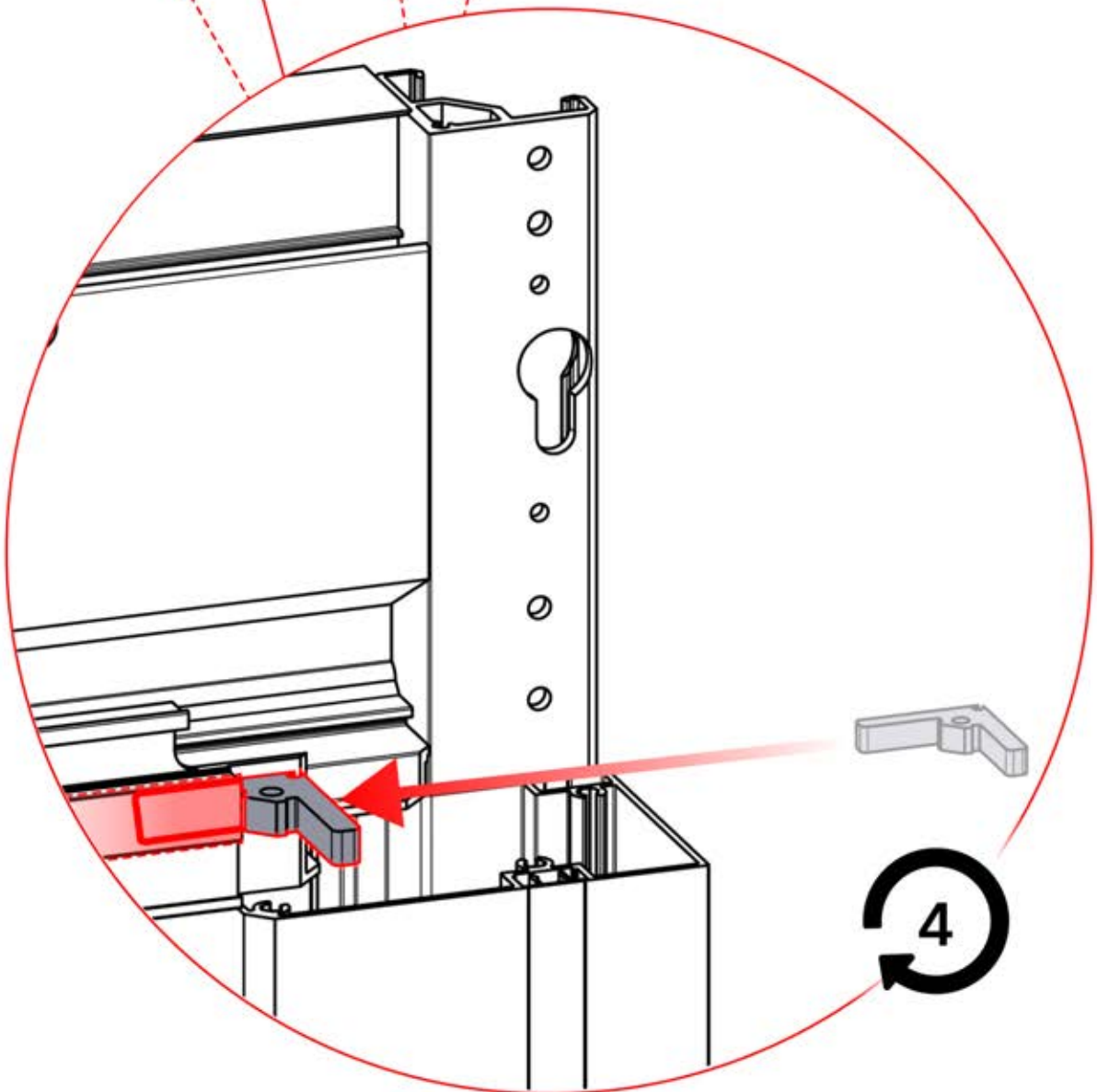
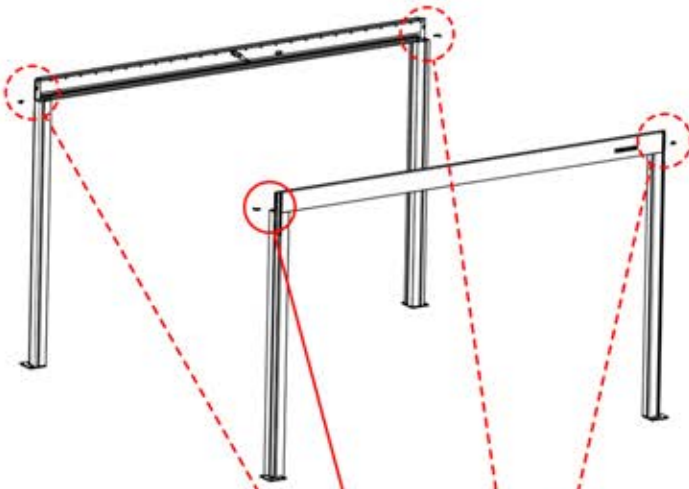
4

ANTHRACITE: B233
WHITE: B241
BLACK: B237



PN-200000507

4x

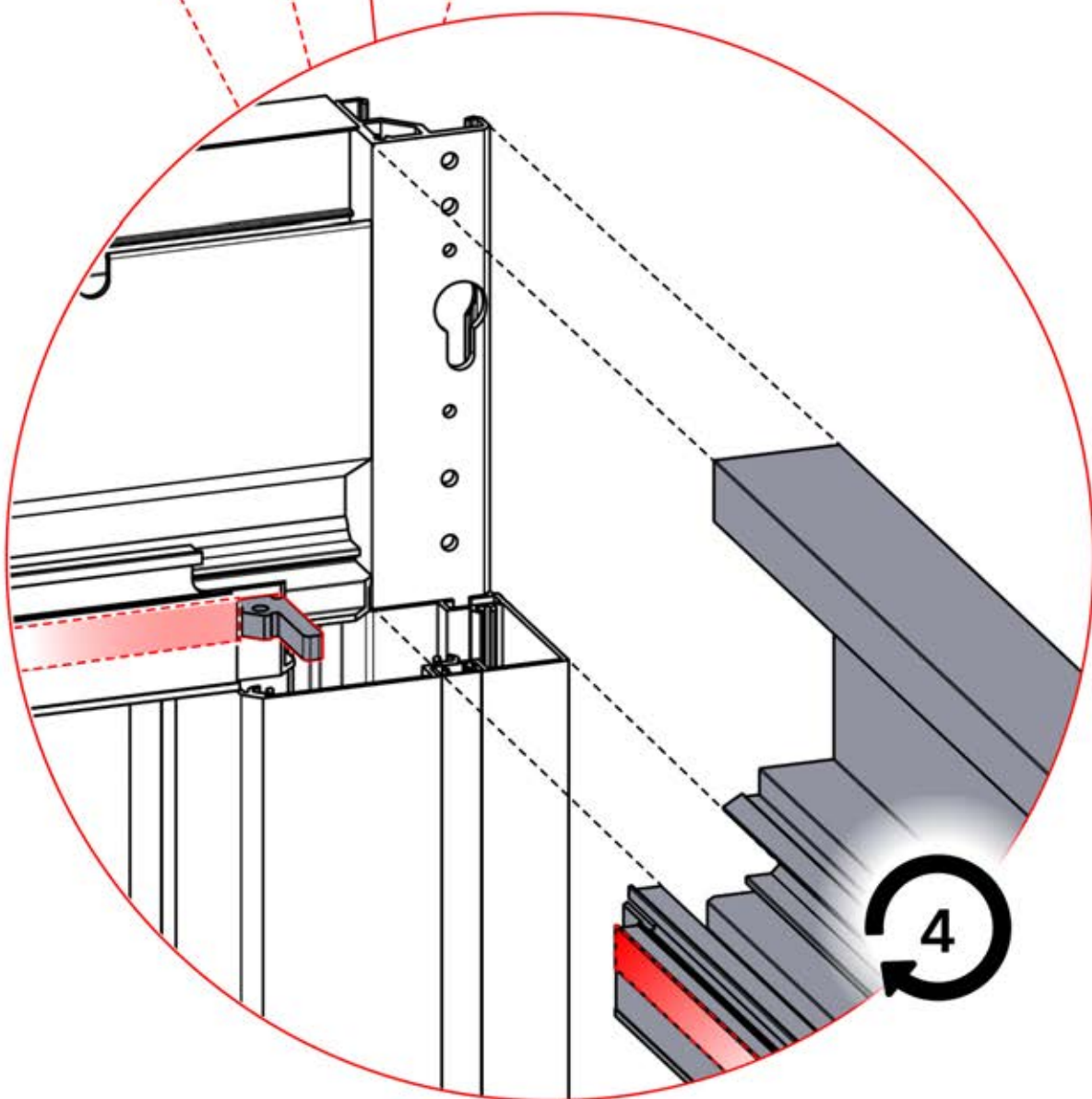
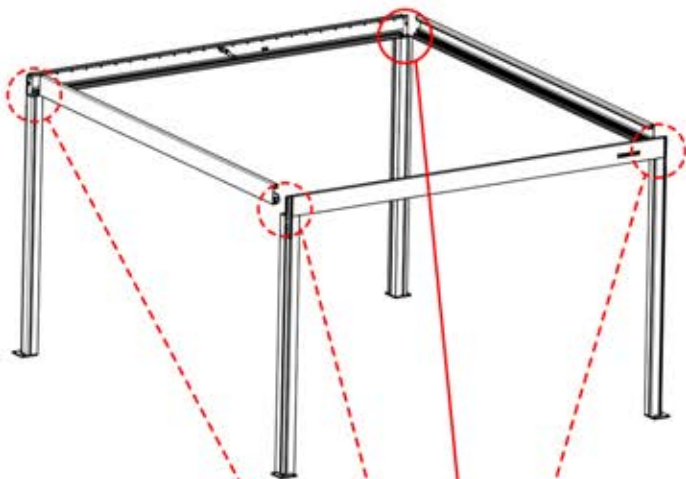
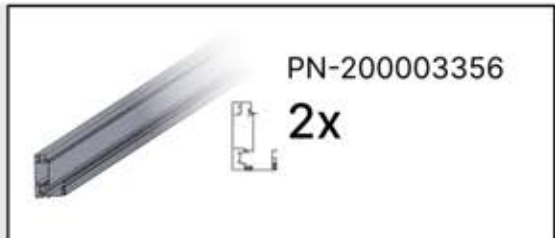


04



5

ANTHRACITE: B257
WHITE: B261
BLACK: B259



05



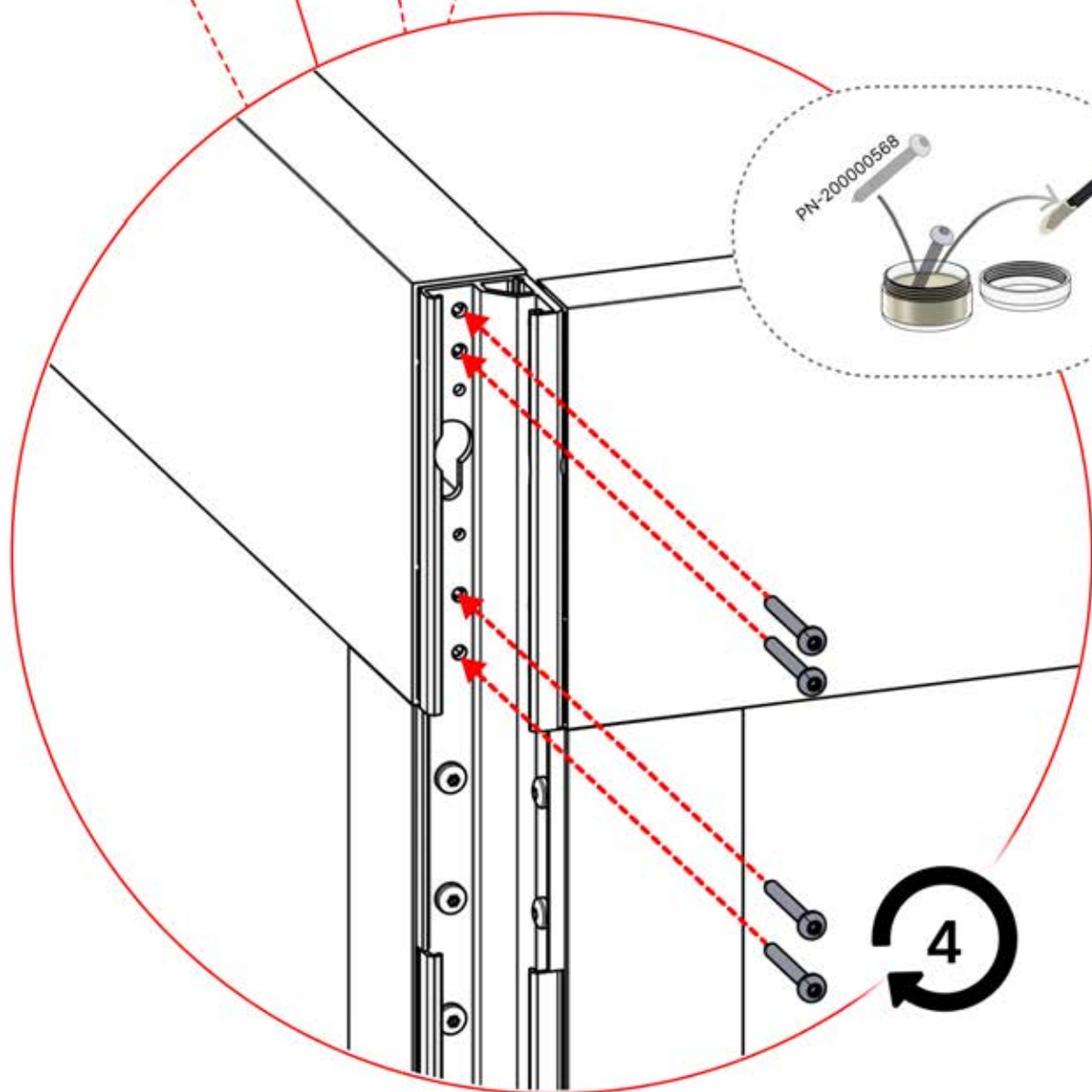
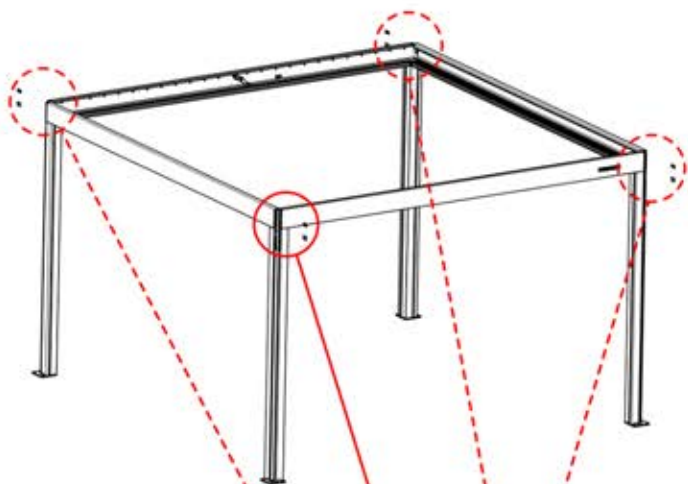
4

ANTHRACITE: B233
WHITE: B241
BLACK: B237



PN-200000568

16x



06



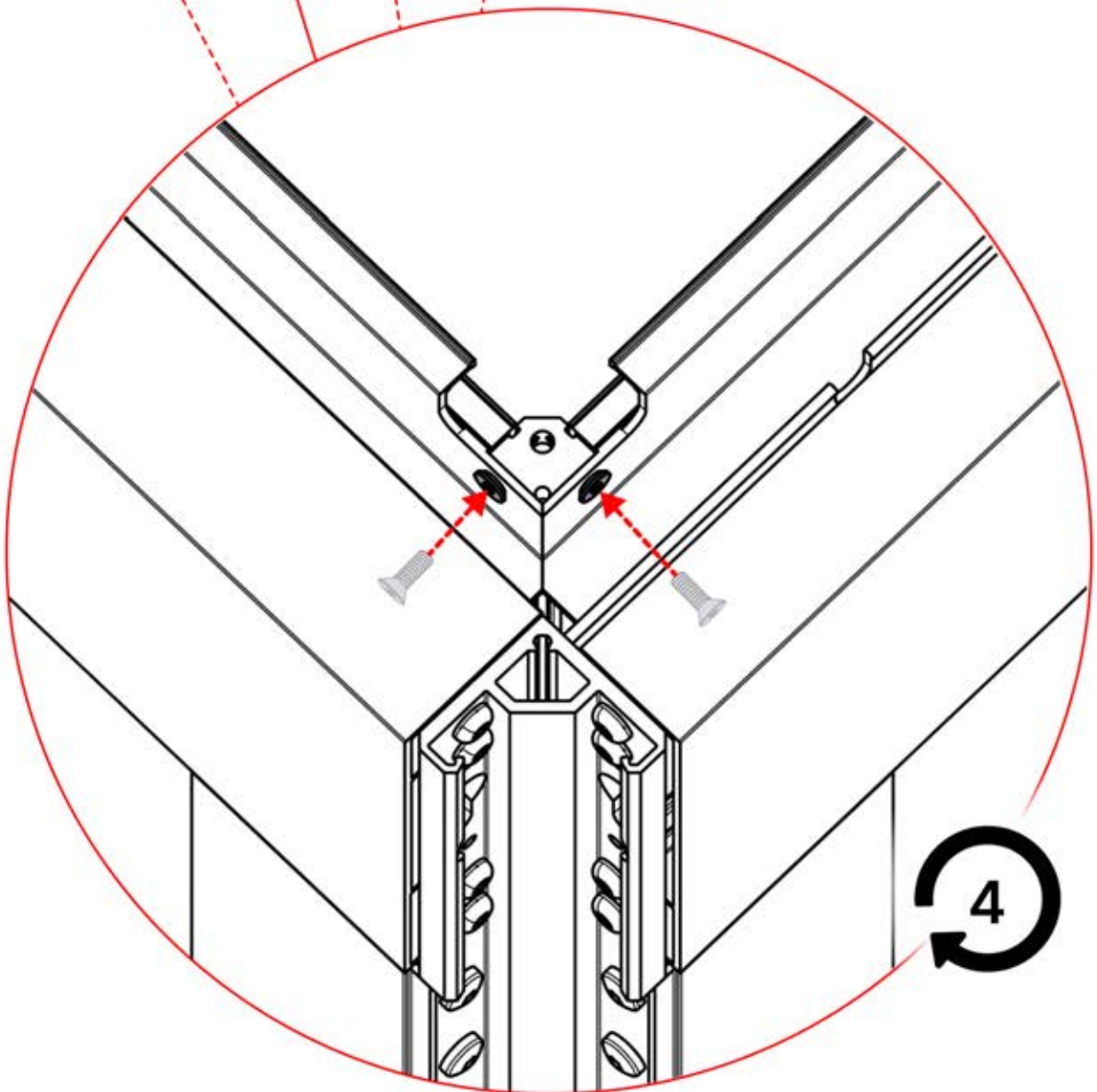
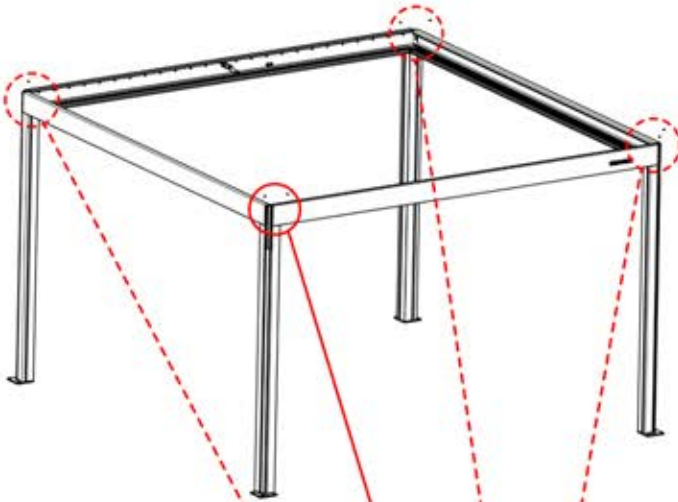
4

ANTHRACITE: B233
WHITE: B241
BLACK: B237



PN-200000569

8x



07



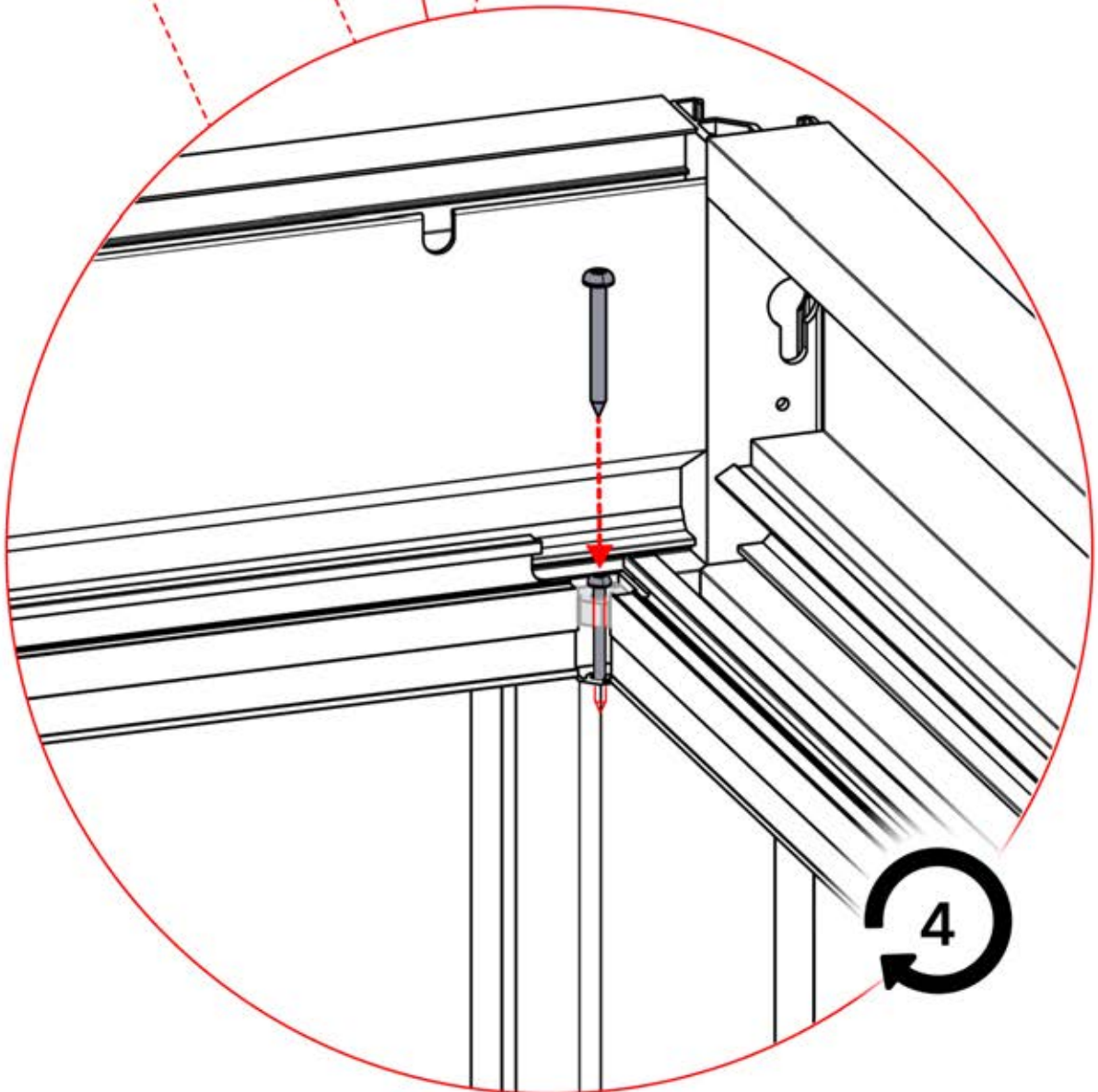
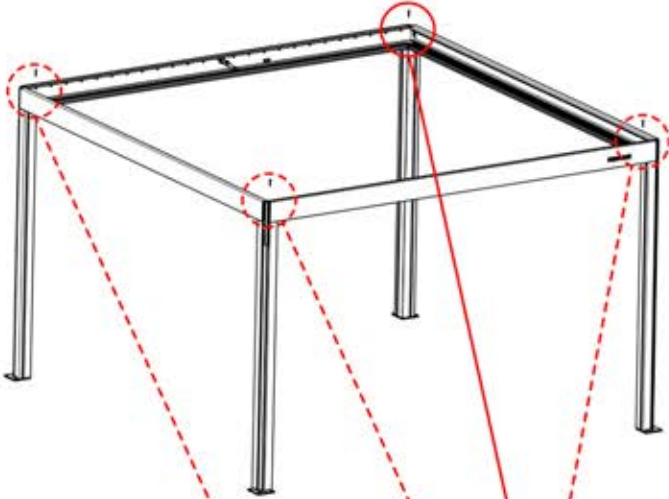
4

ANTHRACITE: B233
WHITE: B241
BLACK: B237



PN-200000960

4x



08



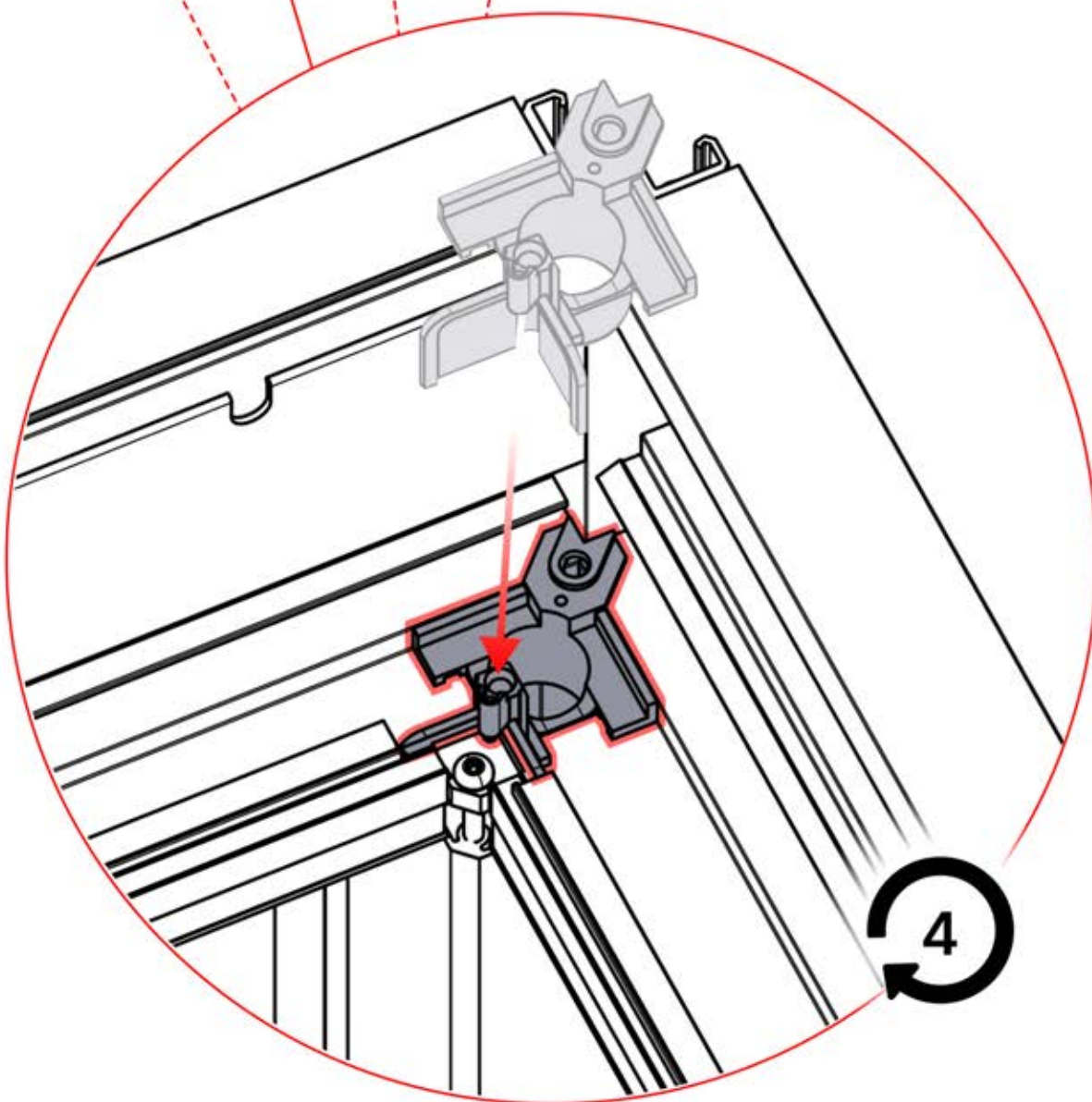
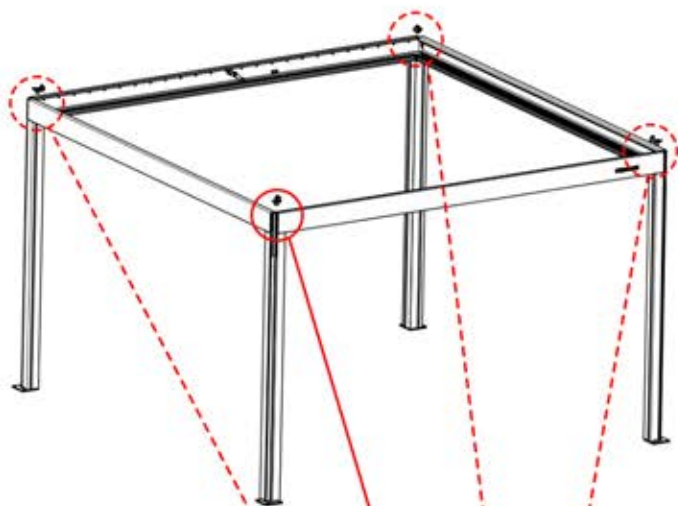
4

ANTHRACITE: B233
WHITE: B241
BLACK: B237




PN-200002617


4x




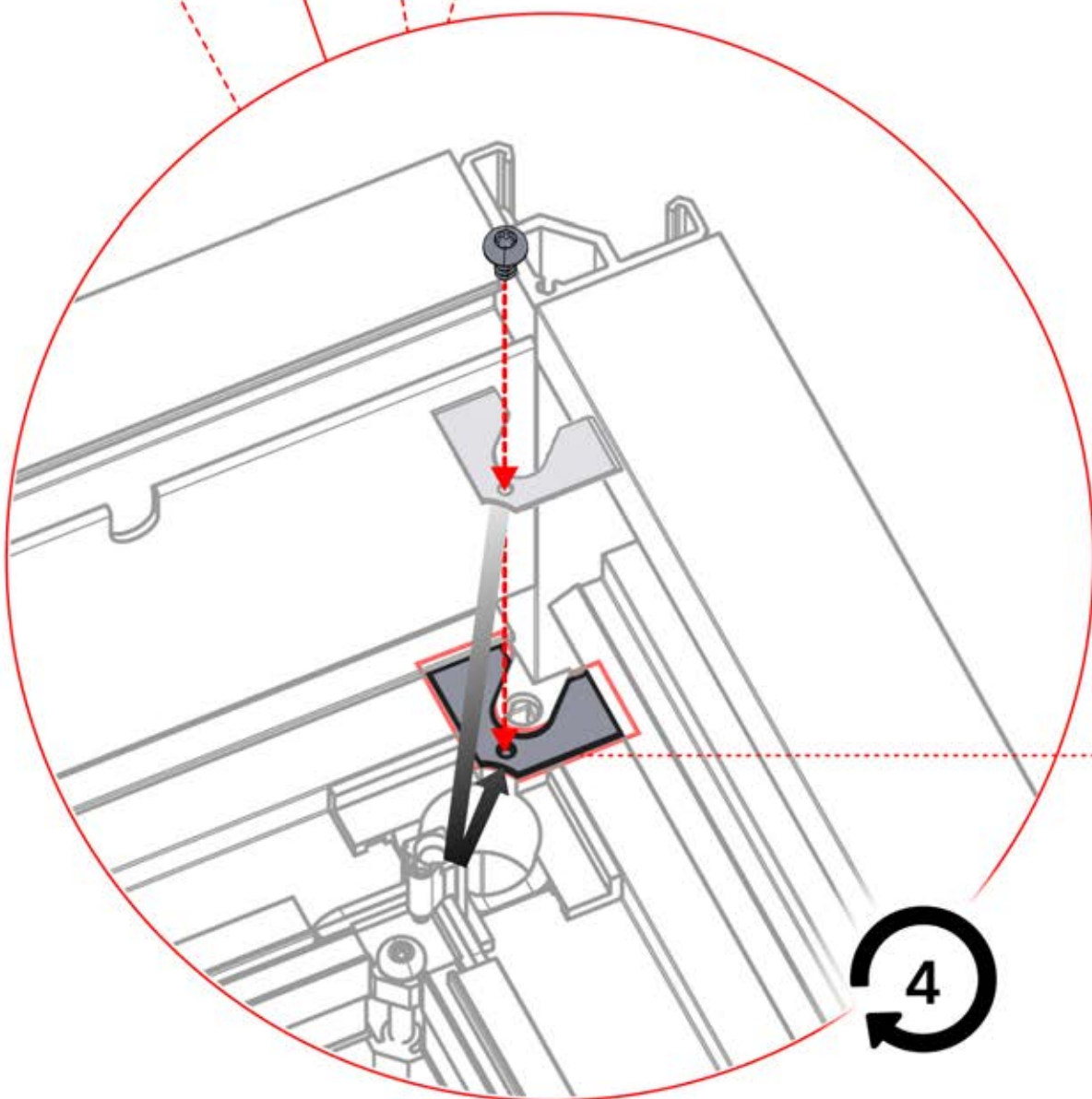
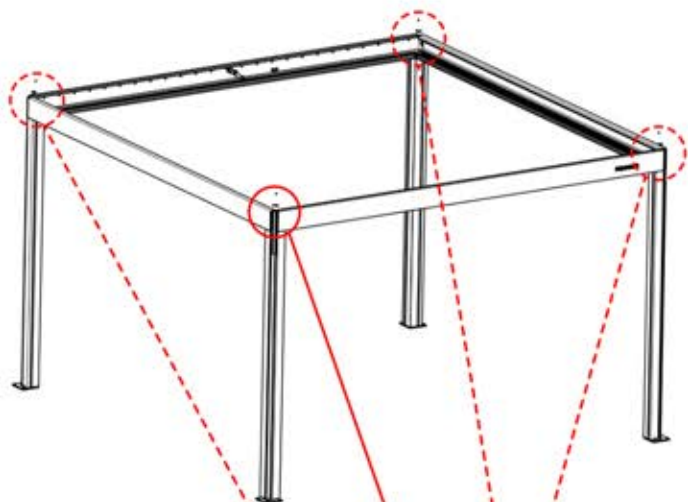
09

 **4**

ANTHRACITE: B233
WHITE: B241
BLACK: B237

 PN-200002618
4x

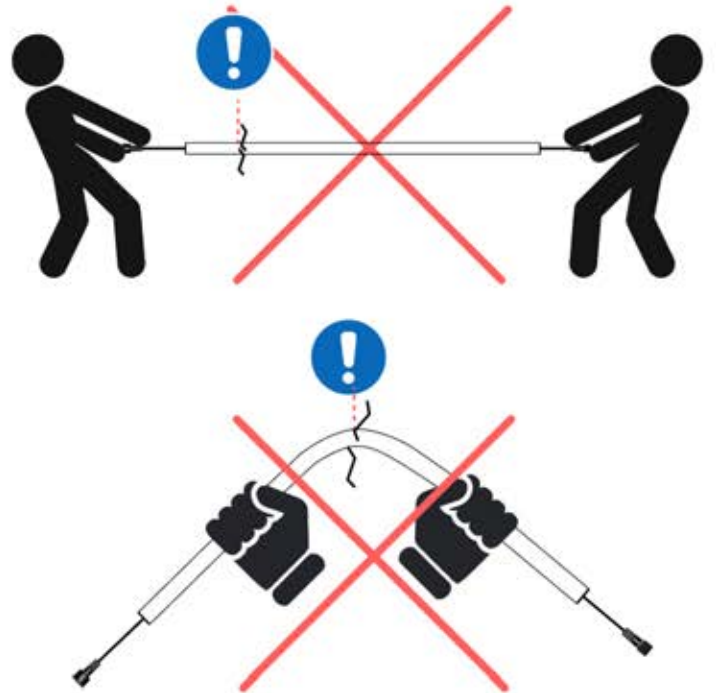
 3.5x8
6 x 5/16" PN-200000571
4x



IMPORTANT INFORMATION

Handle with care.

When installing the light strip, do not pull or bend the wires on both sides with force, as this may cause the solder joints to fall off.

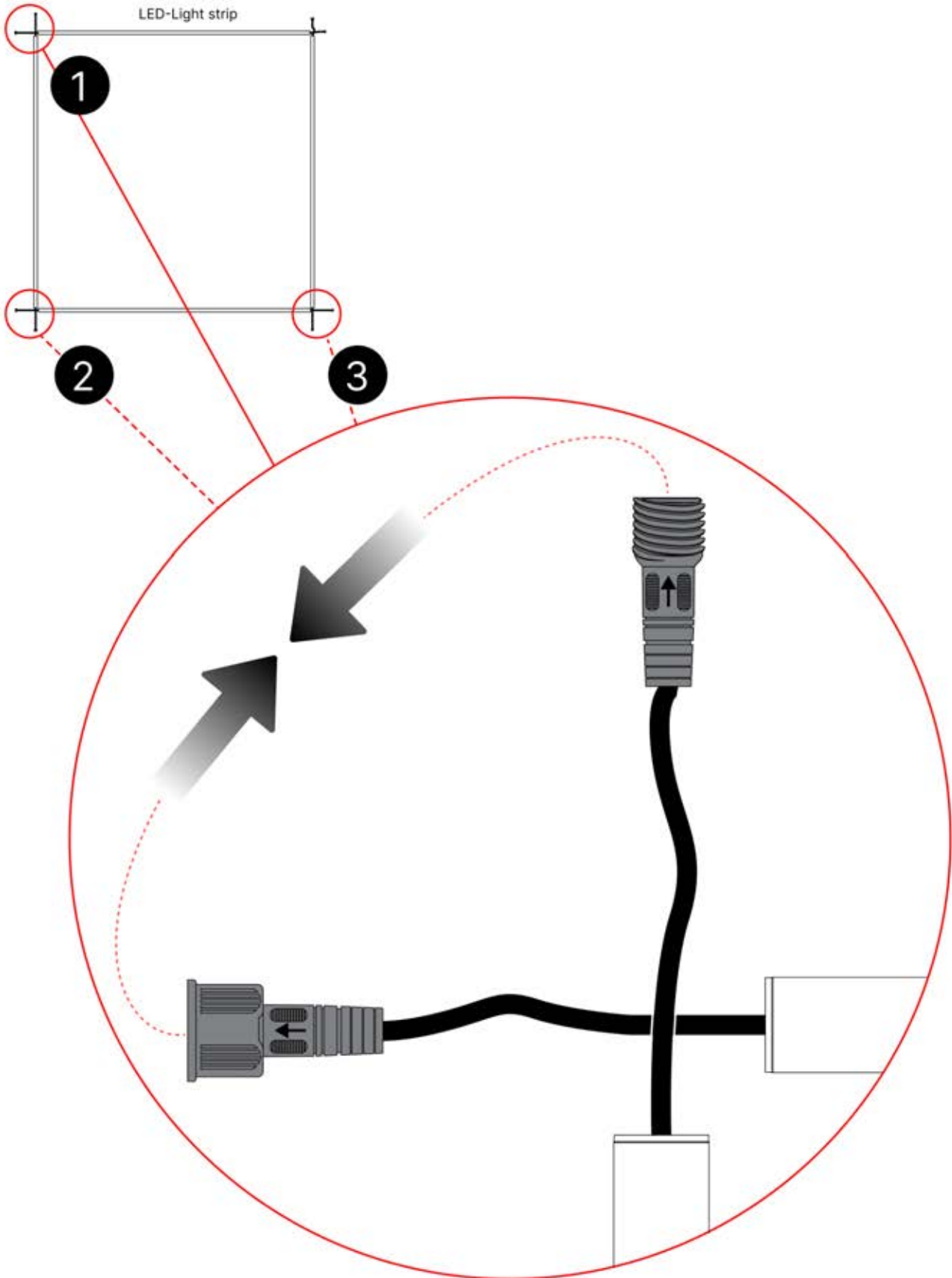


Important! Please watch all the videos before starting the assembly.

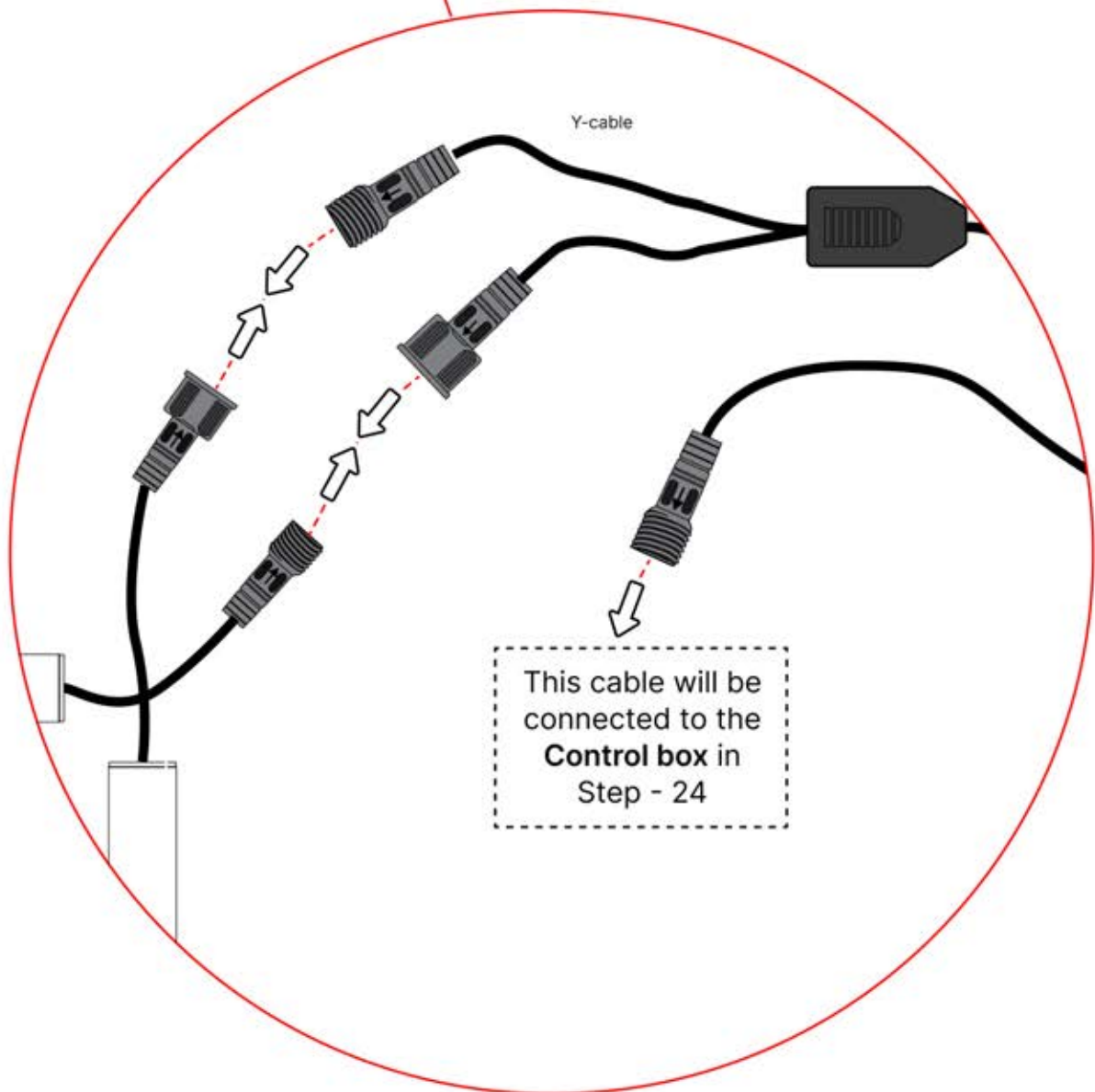
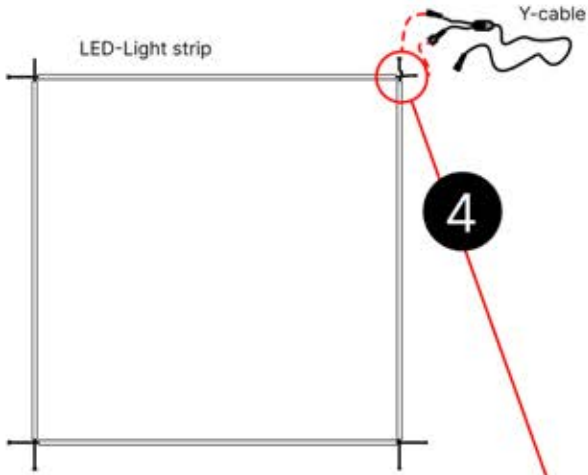
The videos contain important information relevant to the assembly process.



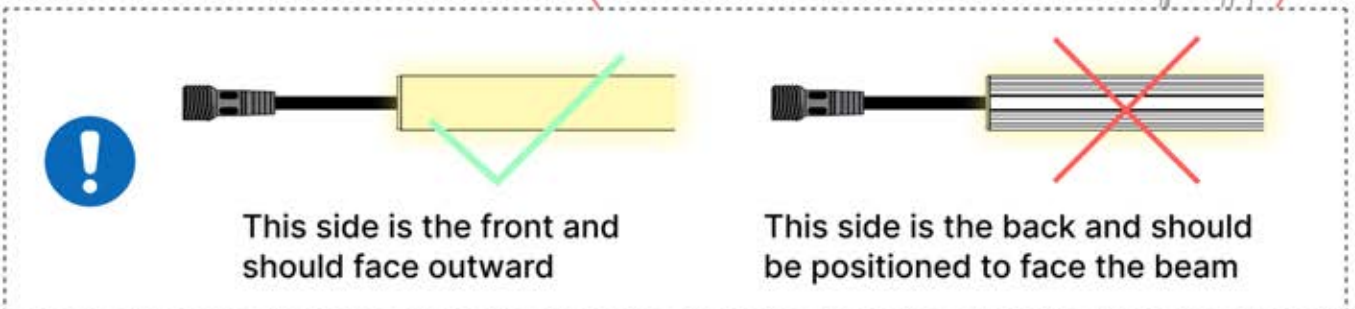
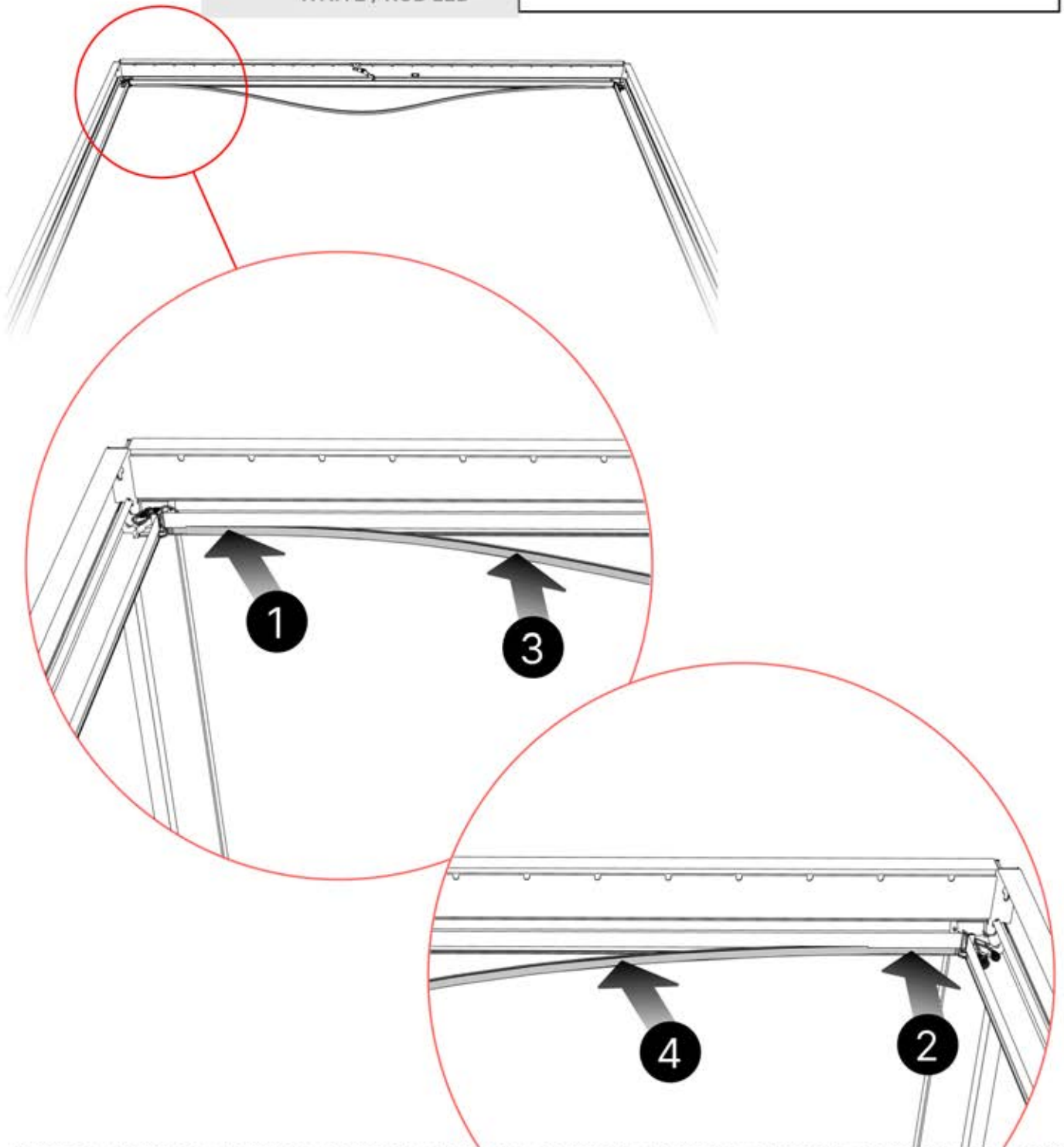
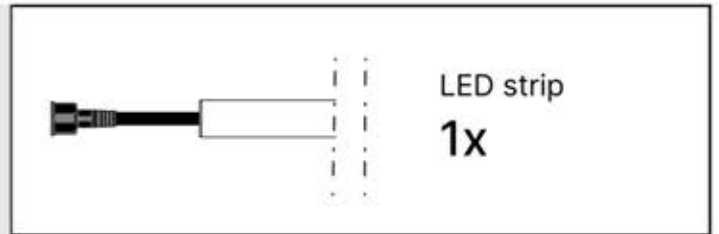
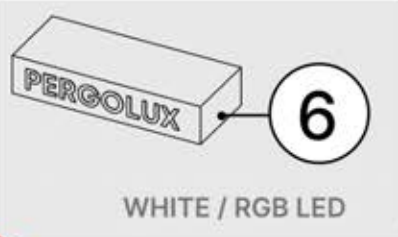
INFORMATION



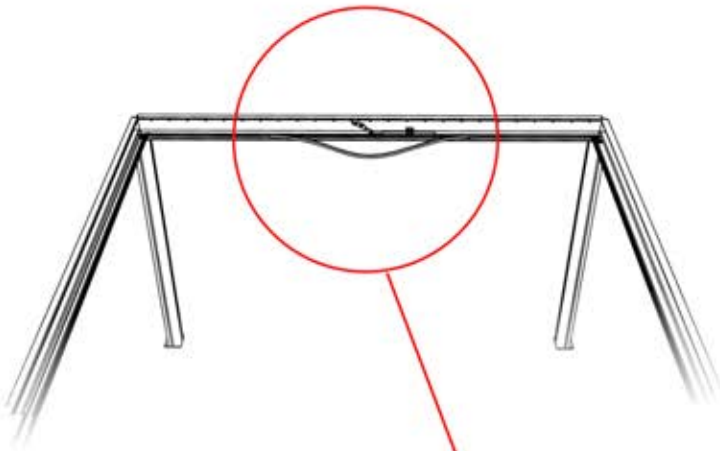
INFORMATION



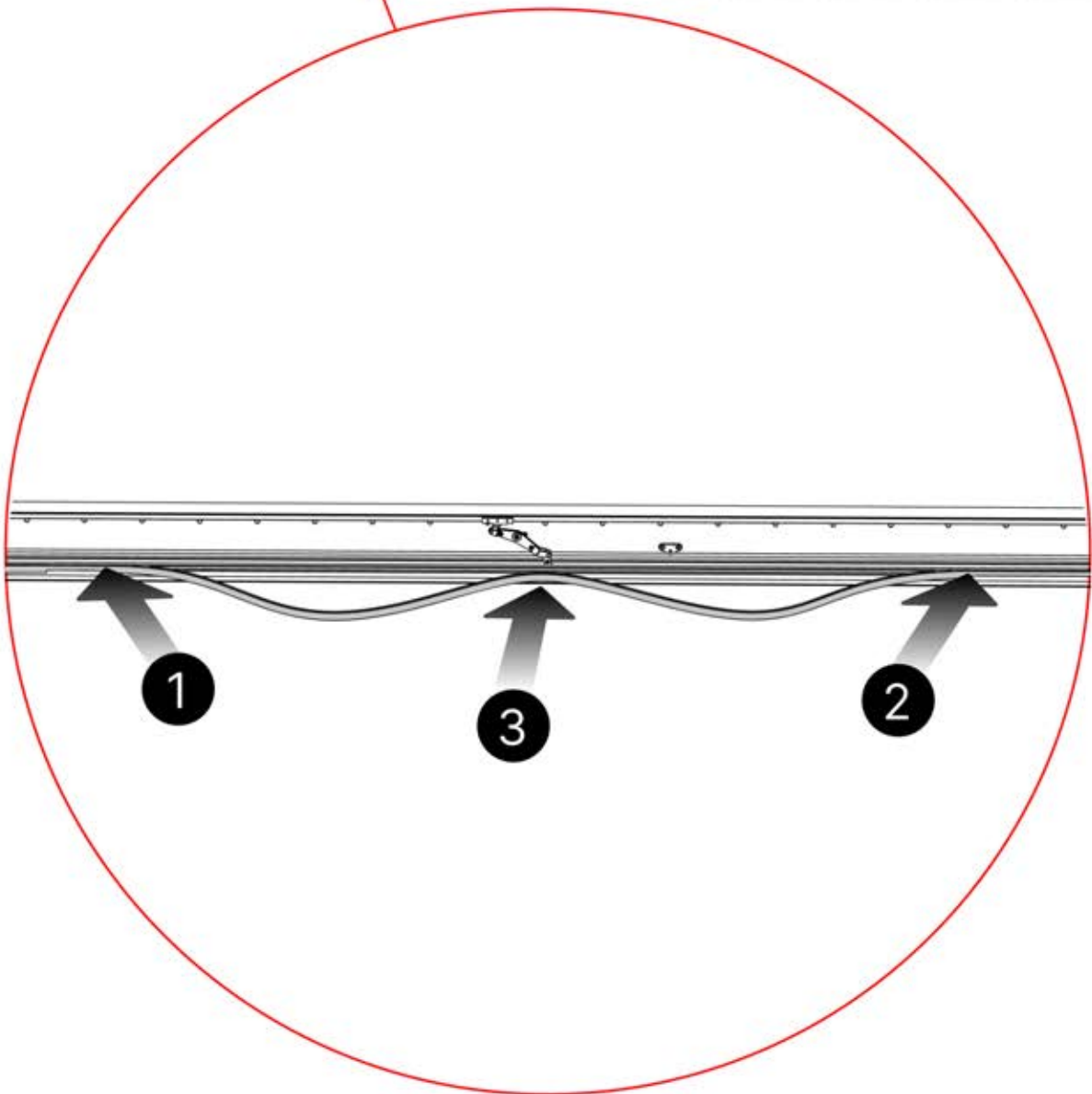
10



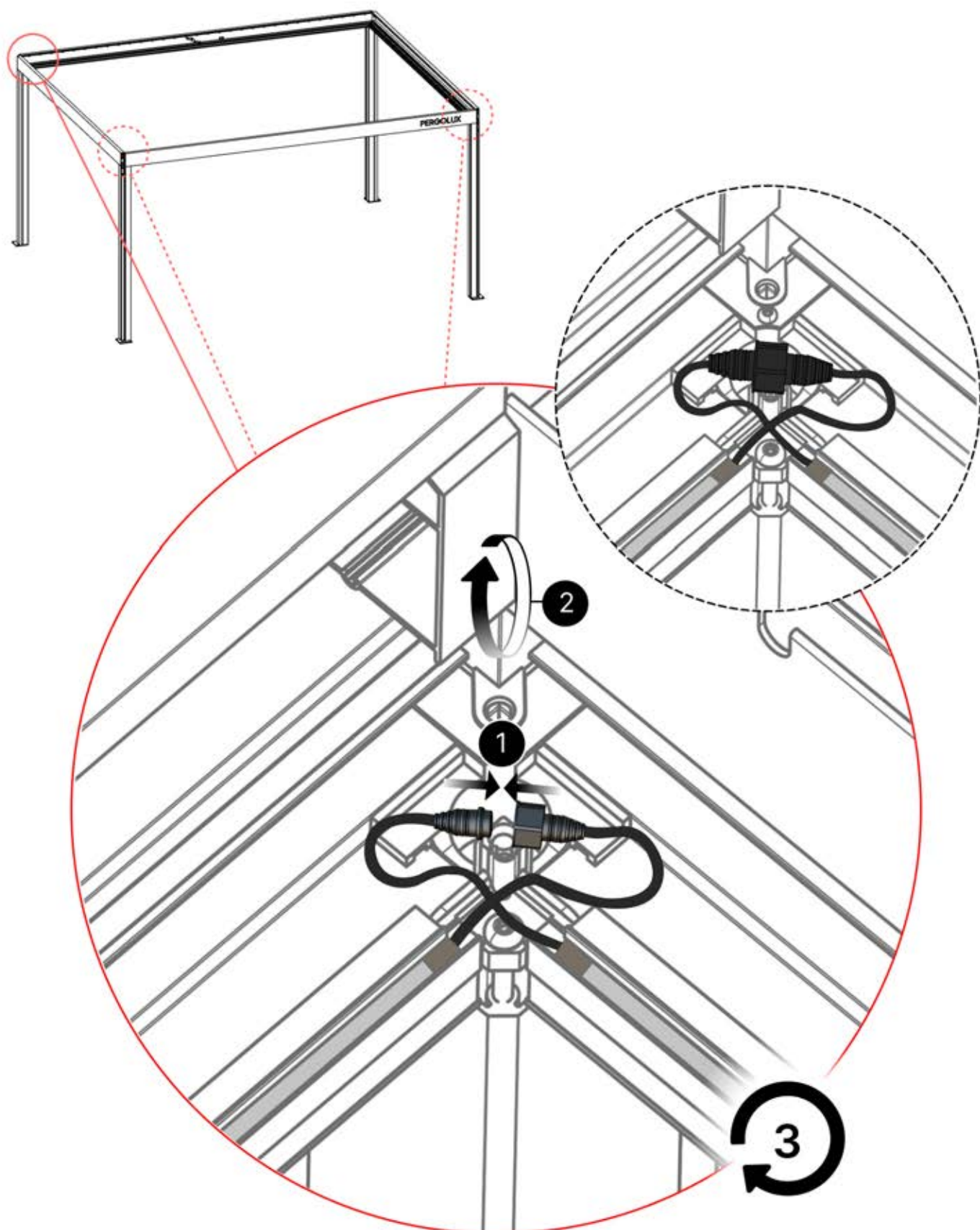
11



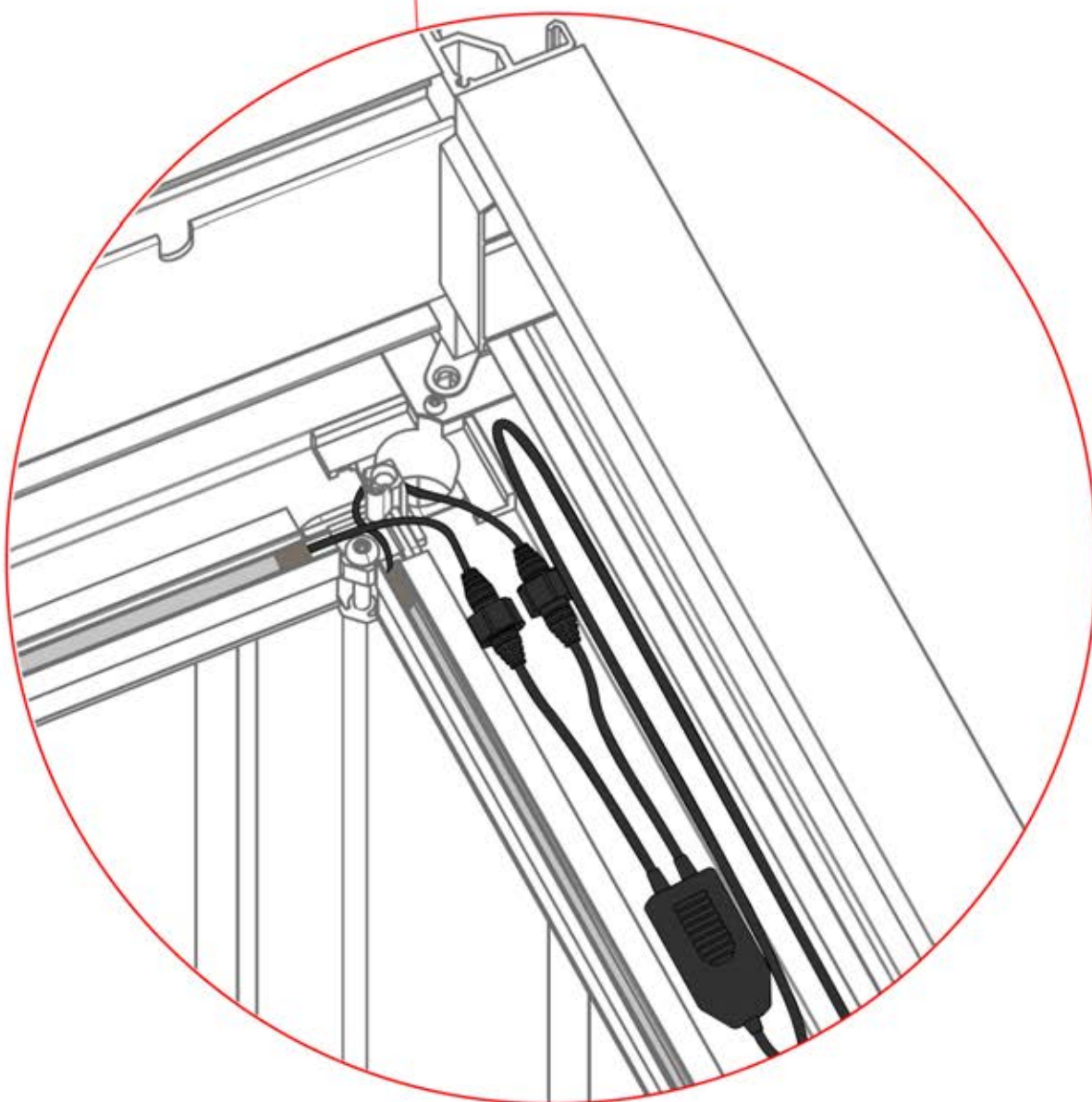
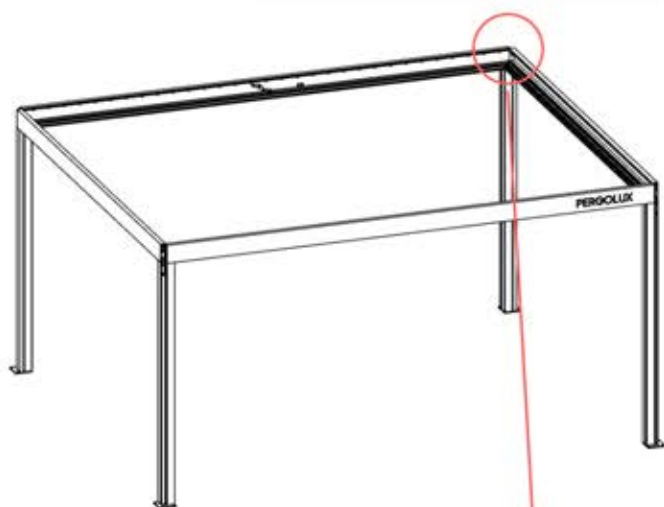
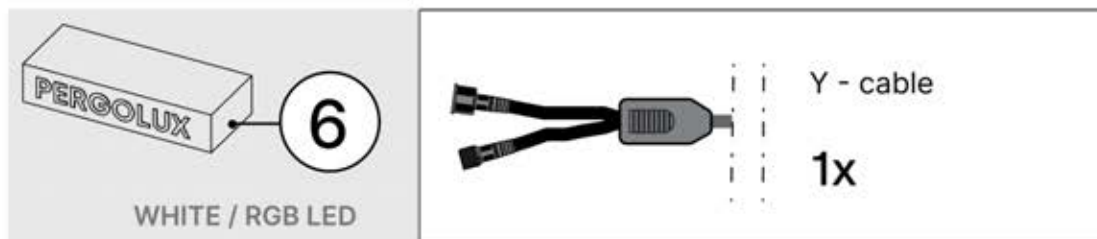
Tip: For a smoother LED installation, spray the track with soapy water before mounting.



12



13



14



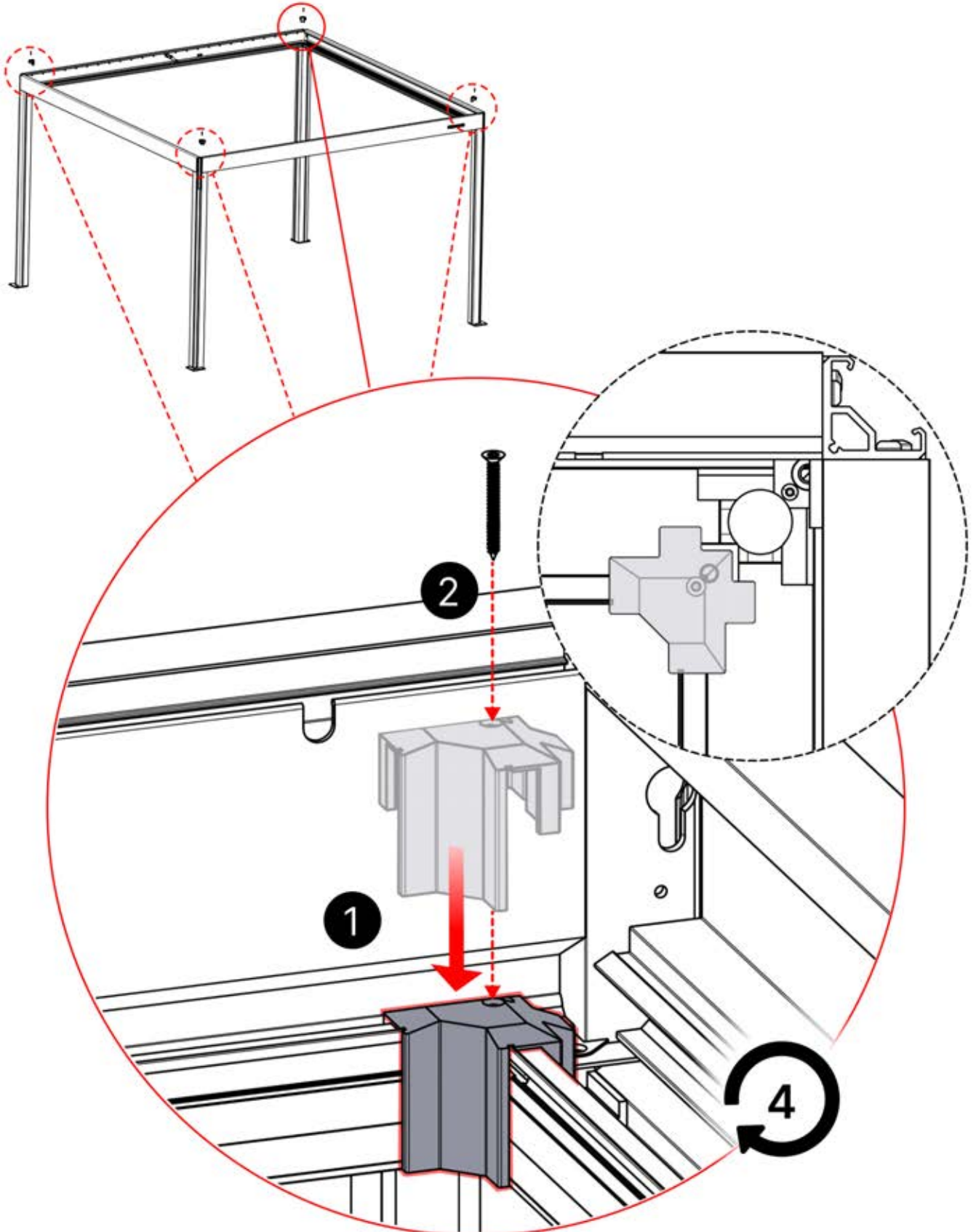
4

ANTHRACITE: B233
WHITE: B241
BLACK: B237

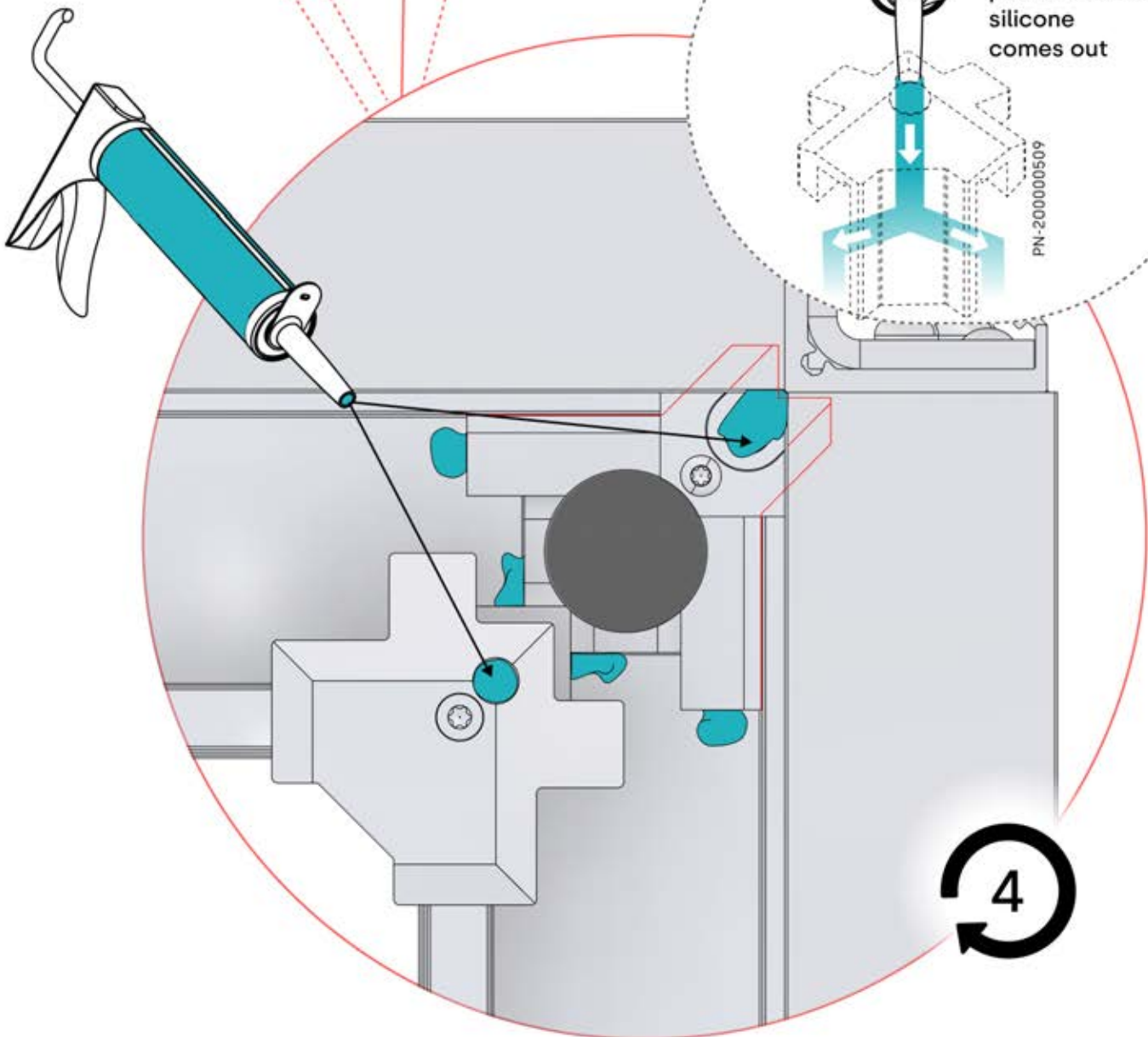
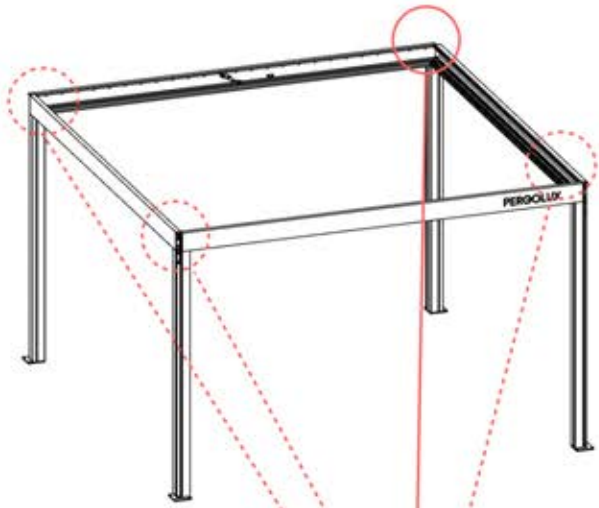
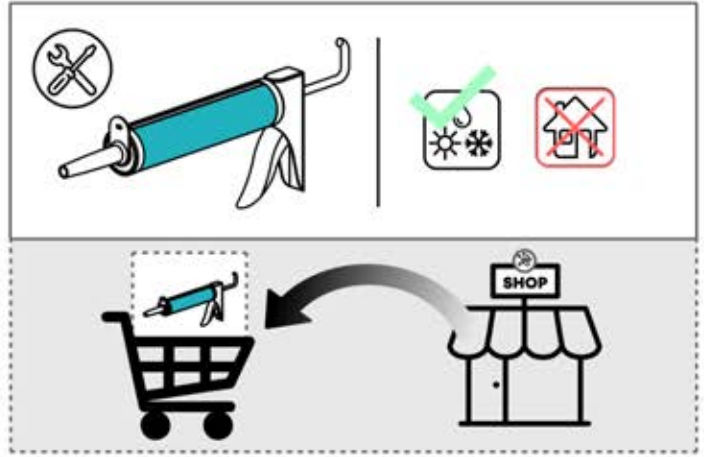


PN-200002625

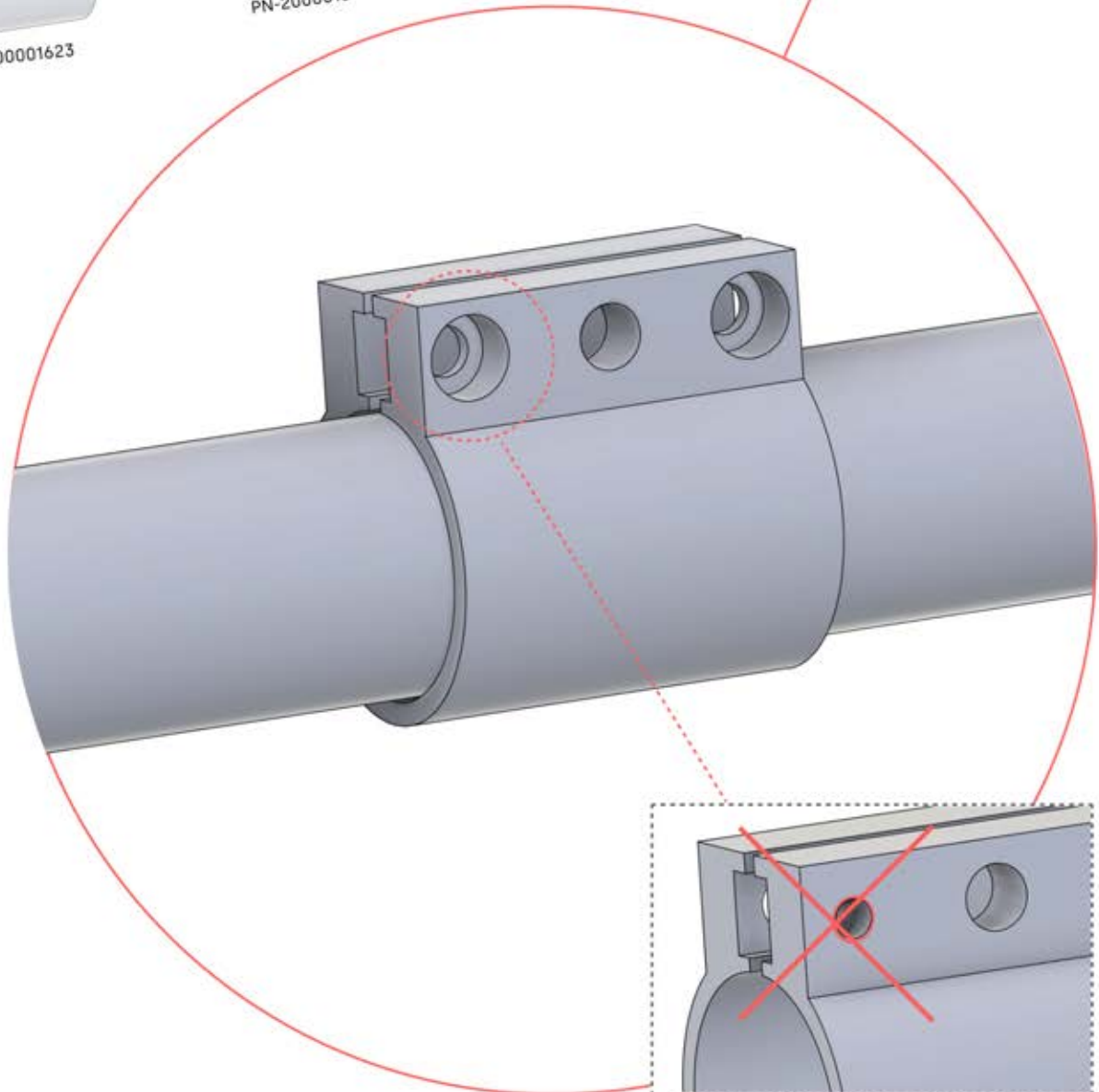
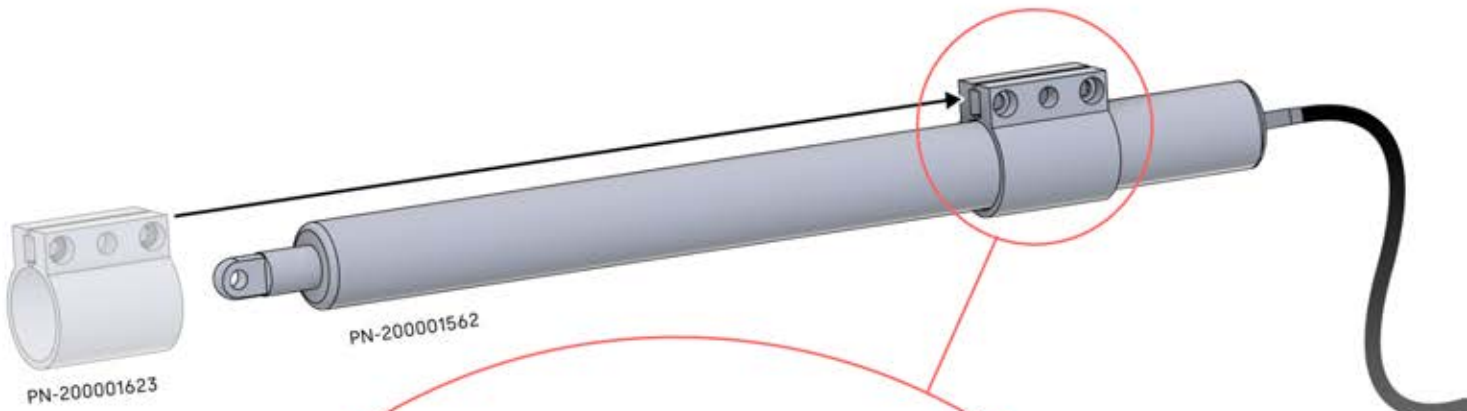
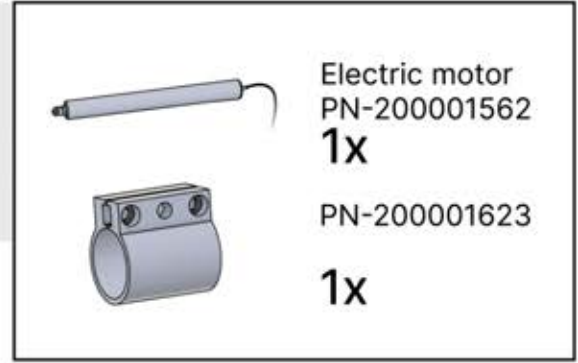
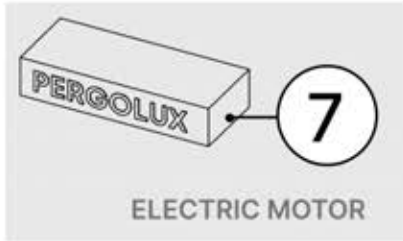
4x



15



16

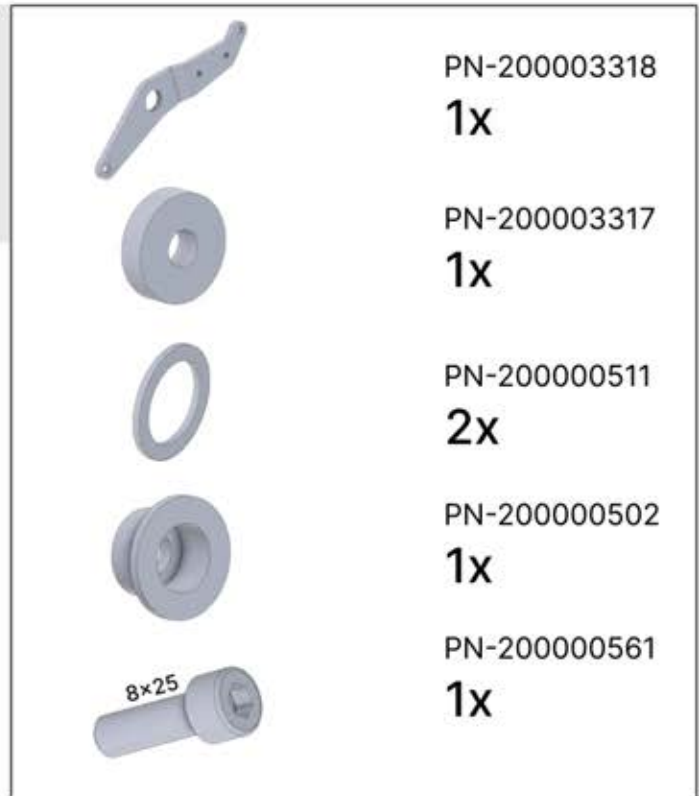


18

x7
FERGOLUX

4

ANTHRACITE: B233
WHITE: B241
BLACK: B237



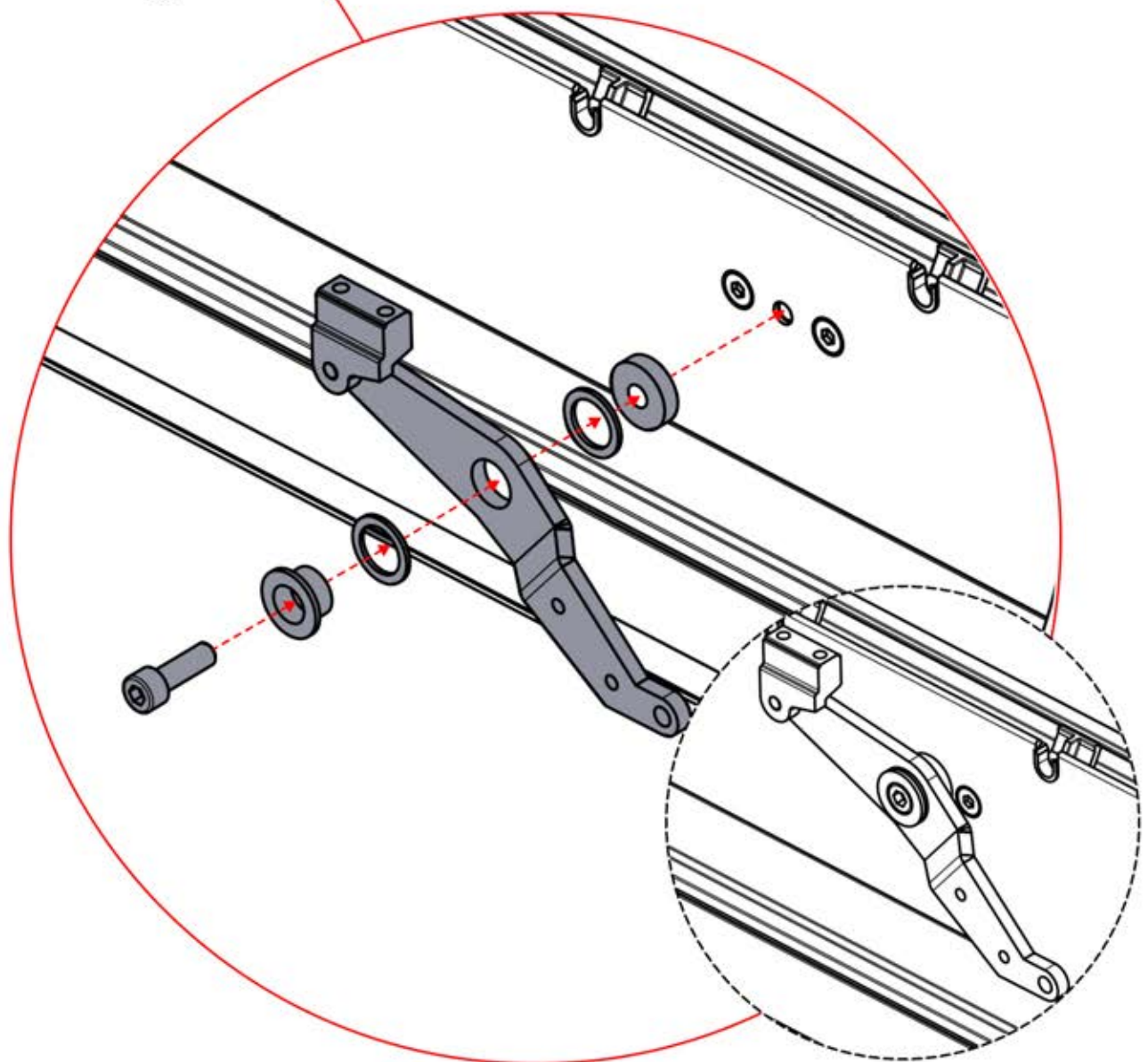
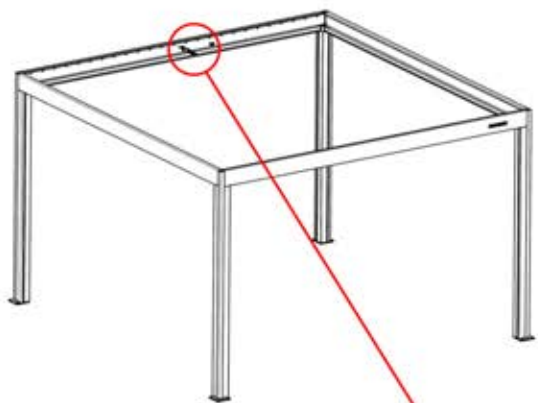
PN-200003318
1x

PN-200003317
1x


PN-200000511
2x


PN-200000502
1x


PN-200000561
1x




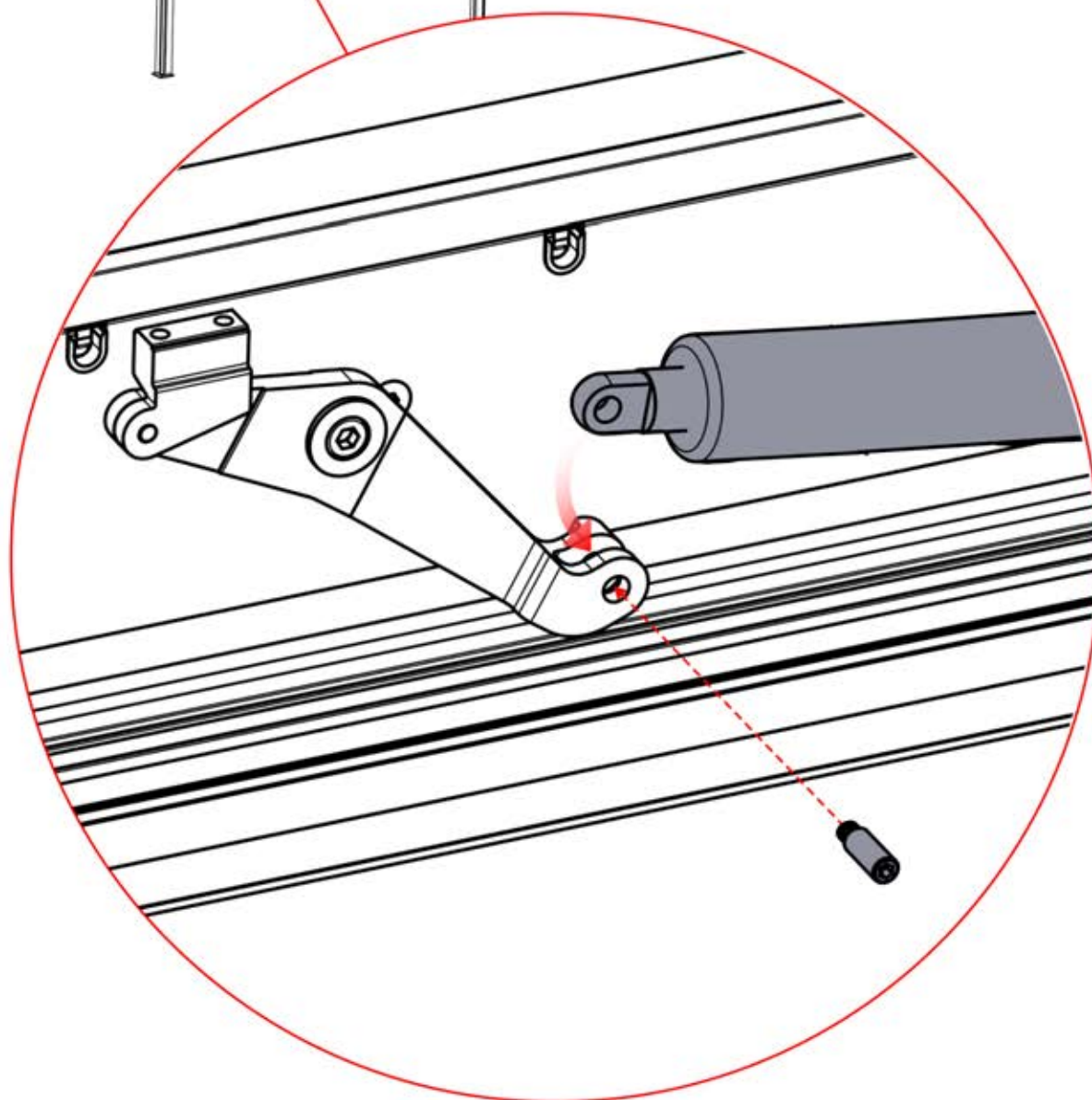
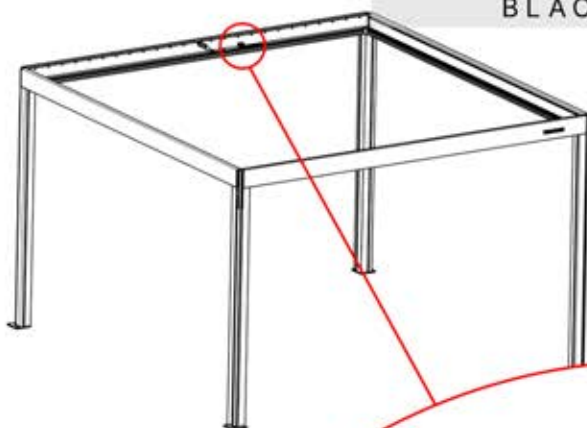
19

 **7**
ELECTRIC MOTOR

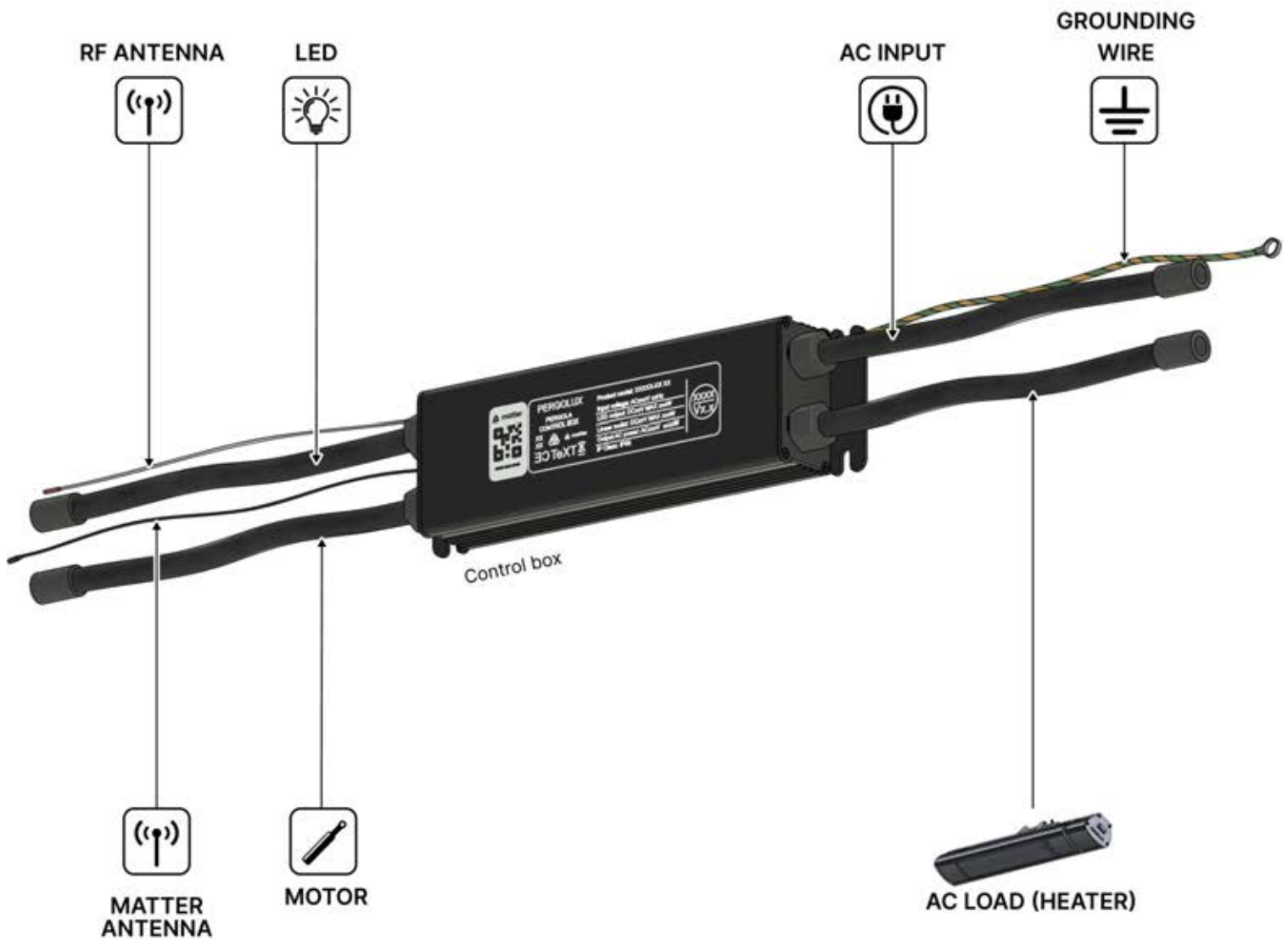
 **4**
ANTHRACITE: B233
WHITE: B241
BLACK: B237

 PN-200001562
1x

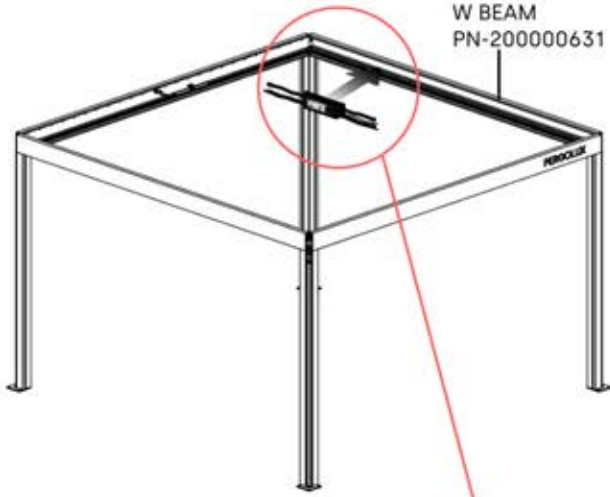
 PN-200001946
1x



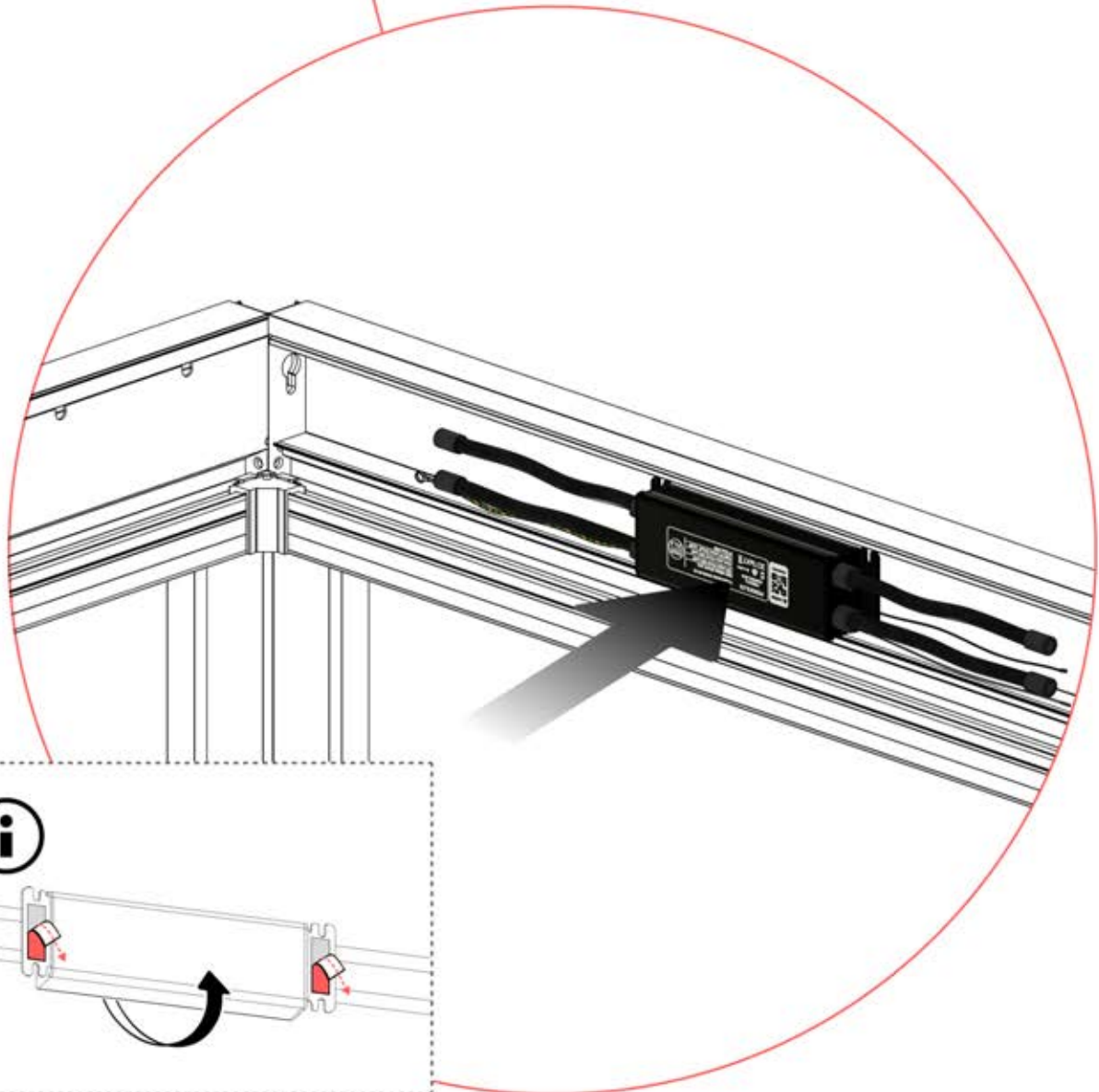
INPUTS AND OUTPUTS



20



!
Control Box can be
installed on
Preferred W BEAM



21



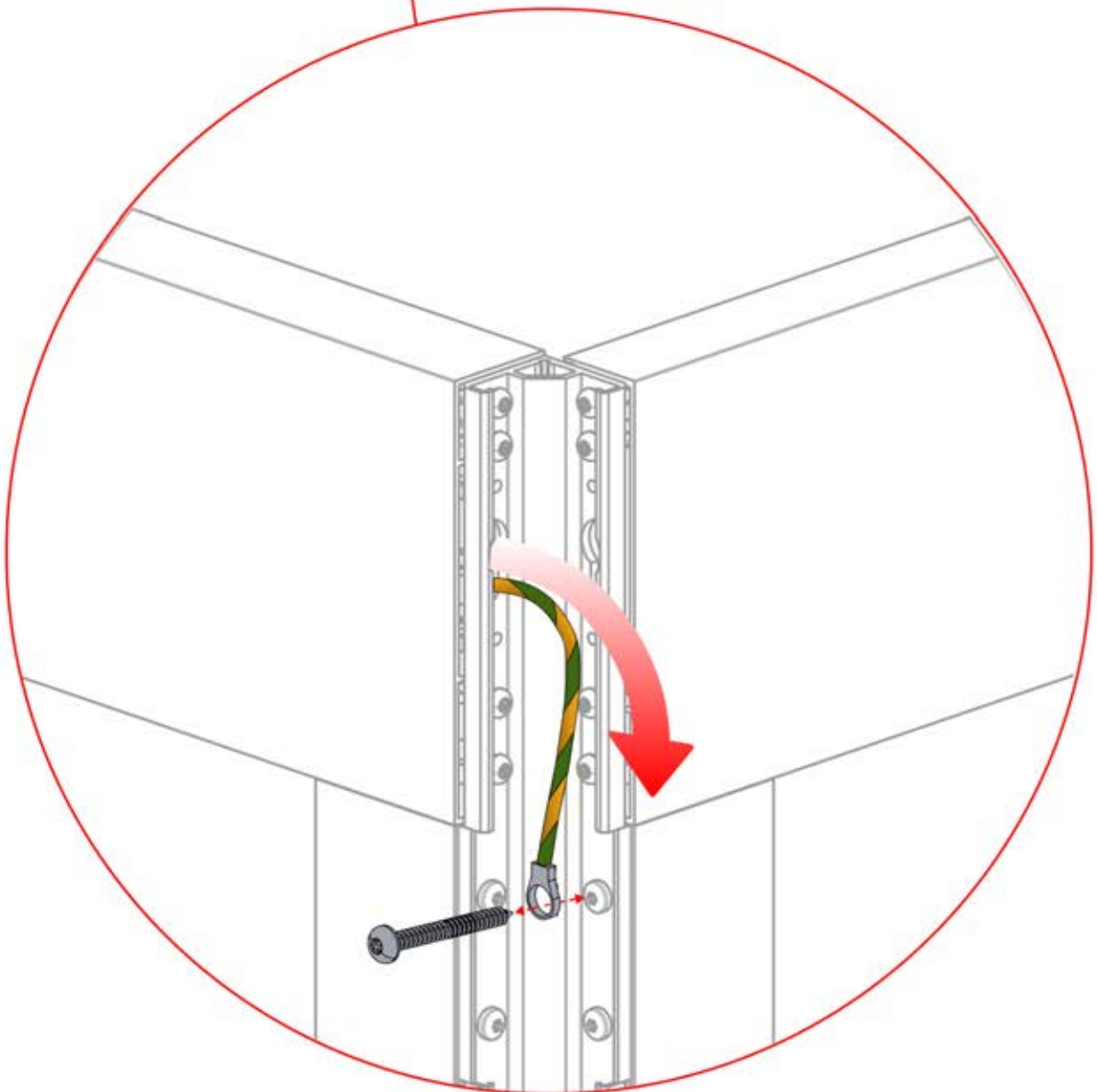
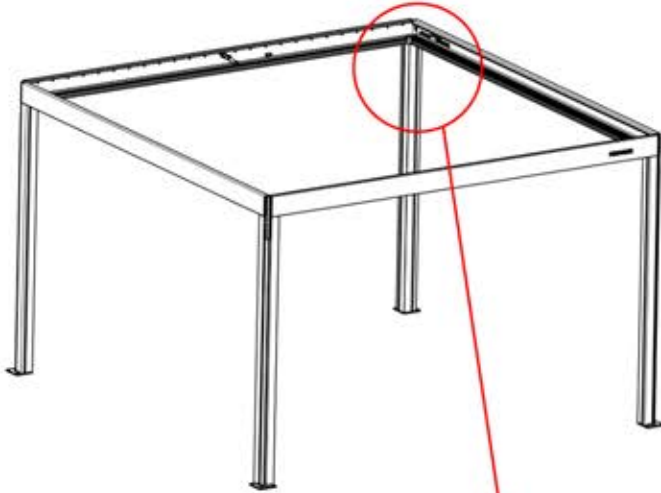
4

ANTHRACITE: B233
WHITE: B241
BLACK: B237

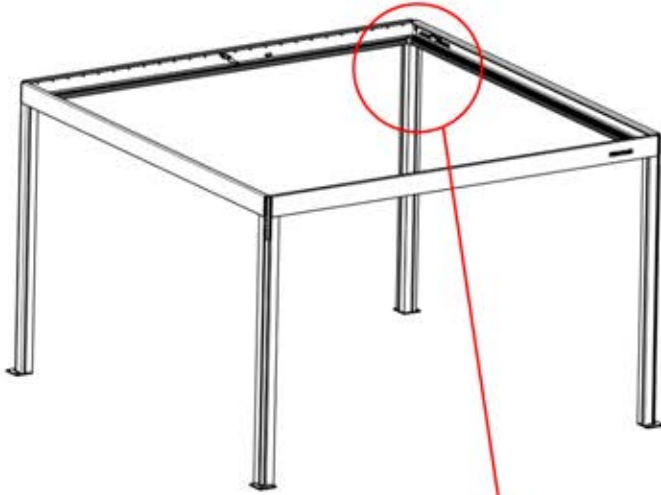
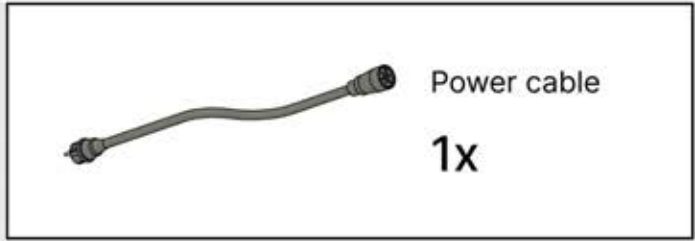
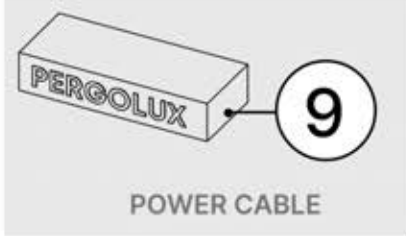


PN-200000568

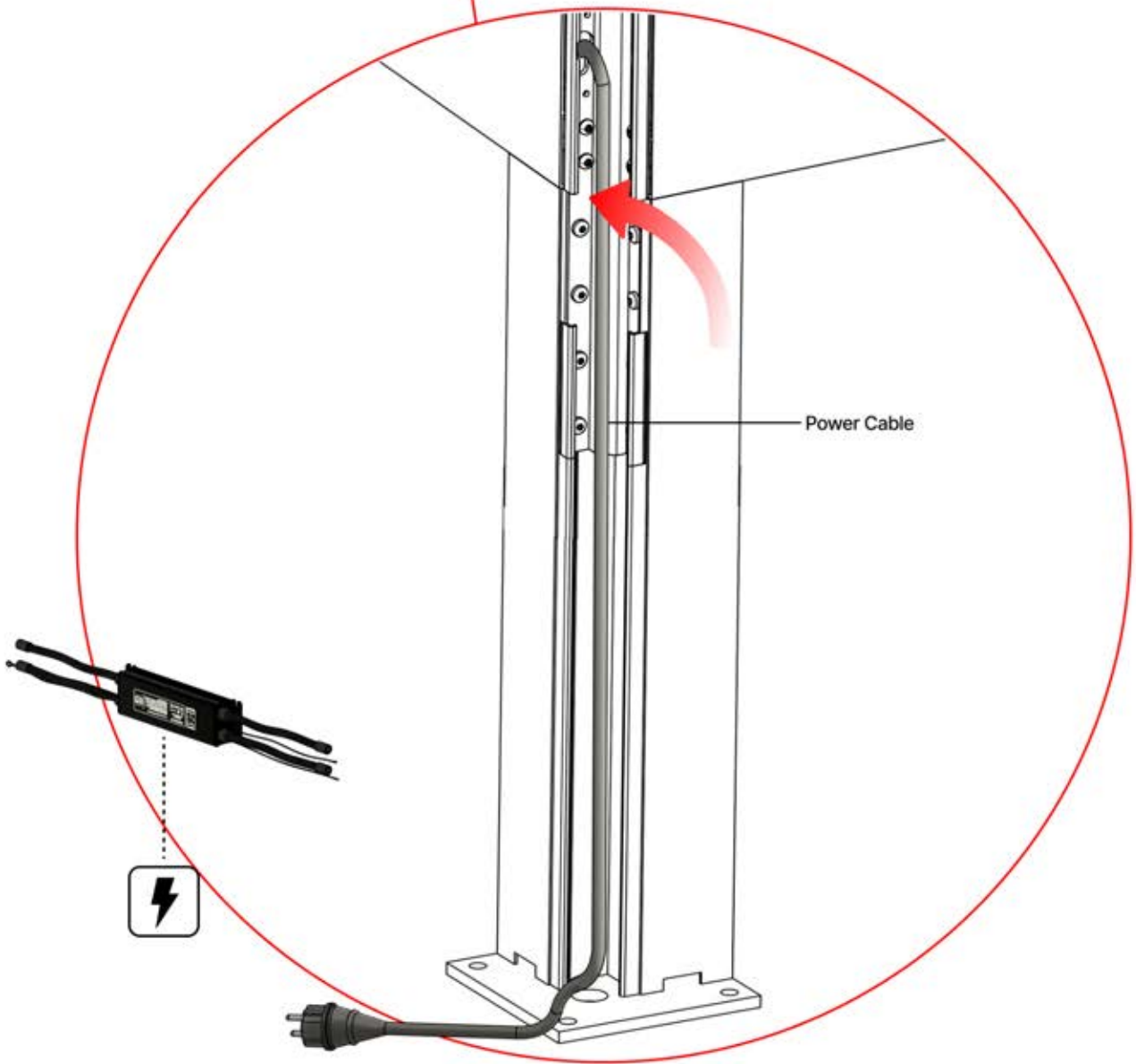
1x



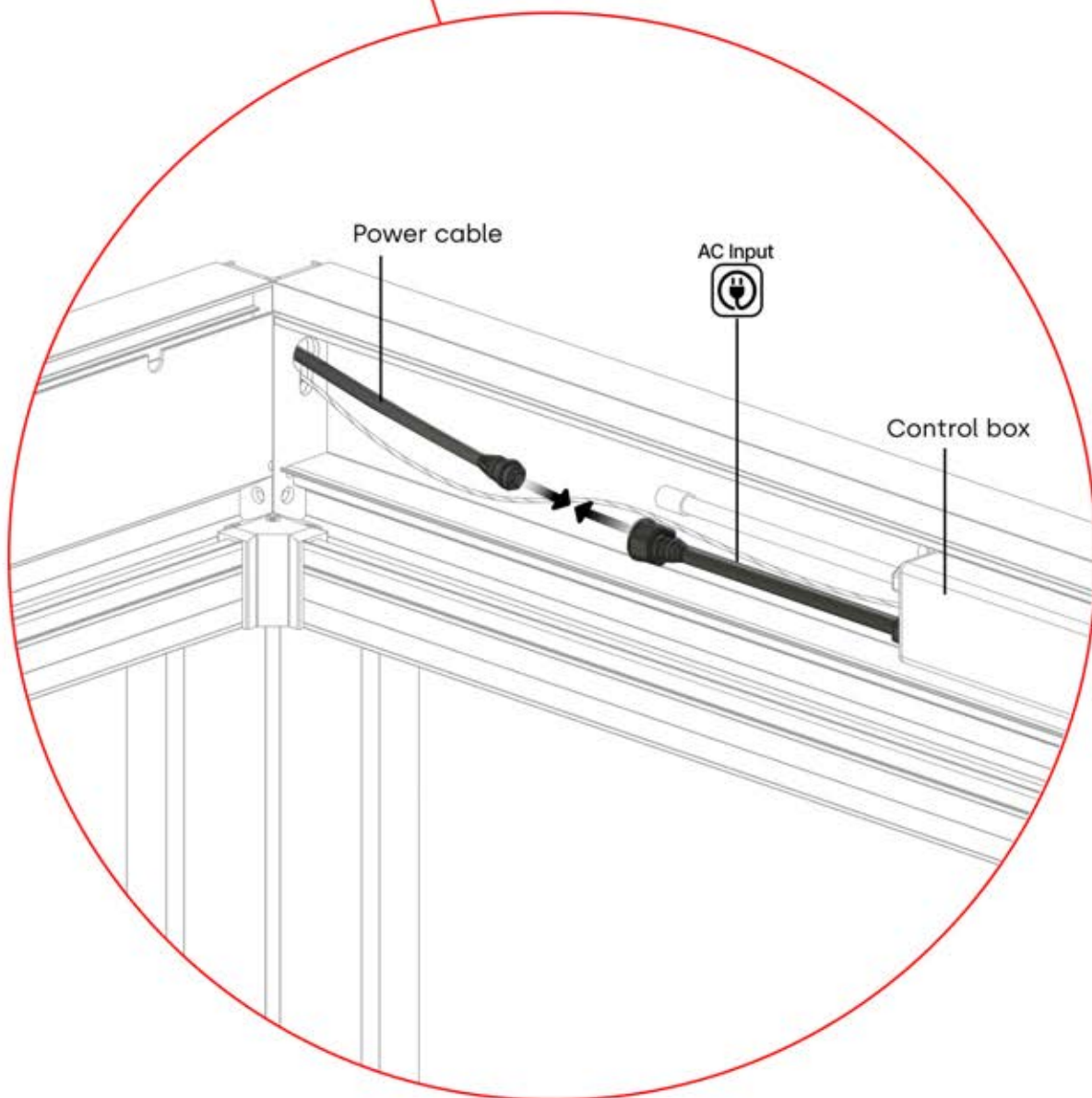
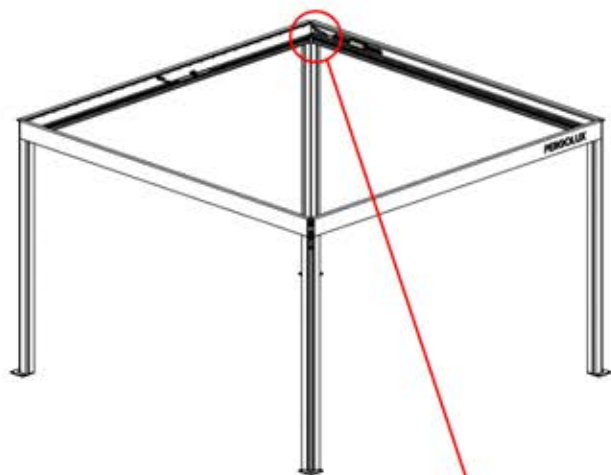
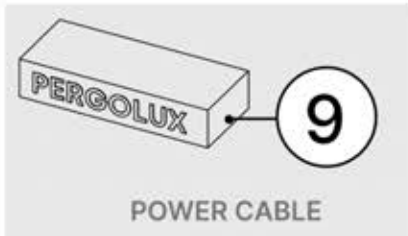
22



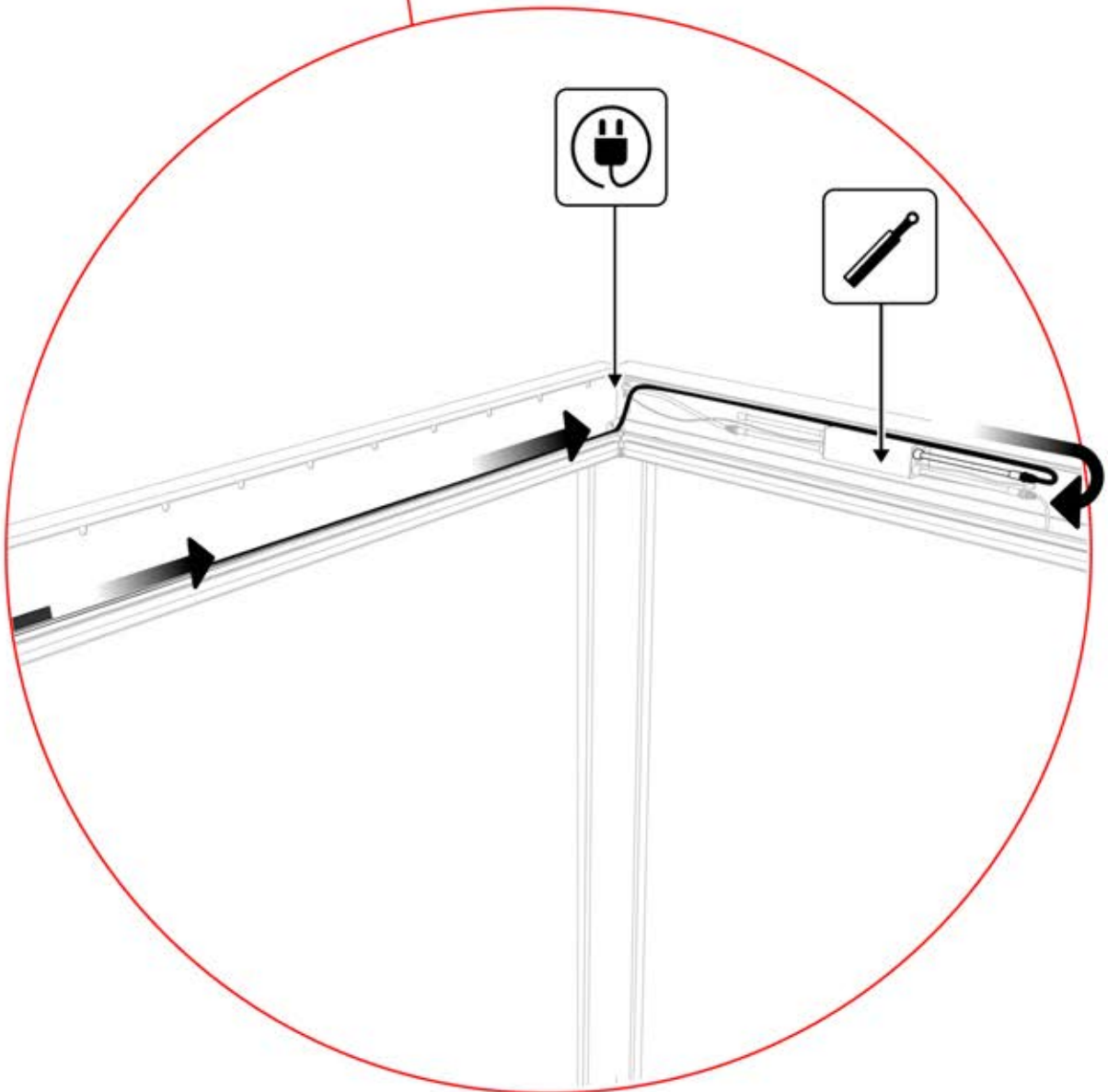
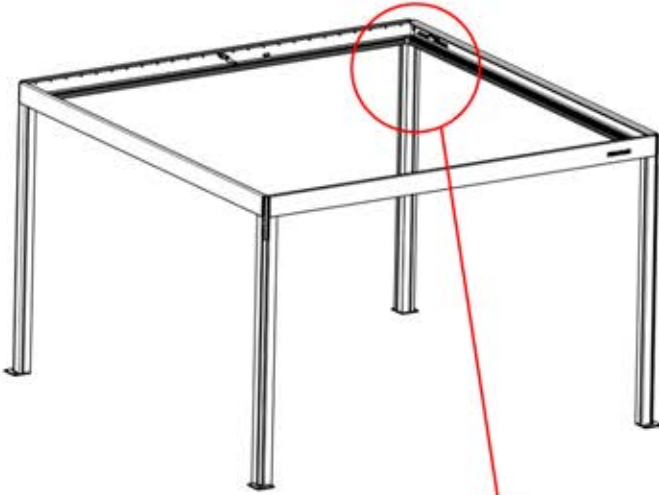
!
Power Cable can be
routed through all
the Poles.



23



24

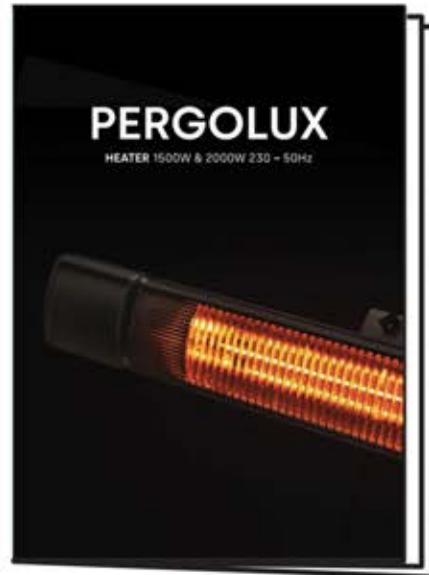


25

1

If you are going to install a heater, do it now.

Follow the instructions in the heater assembly manual.



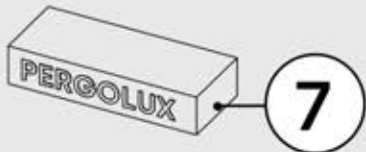


2

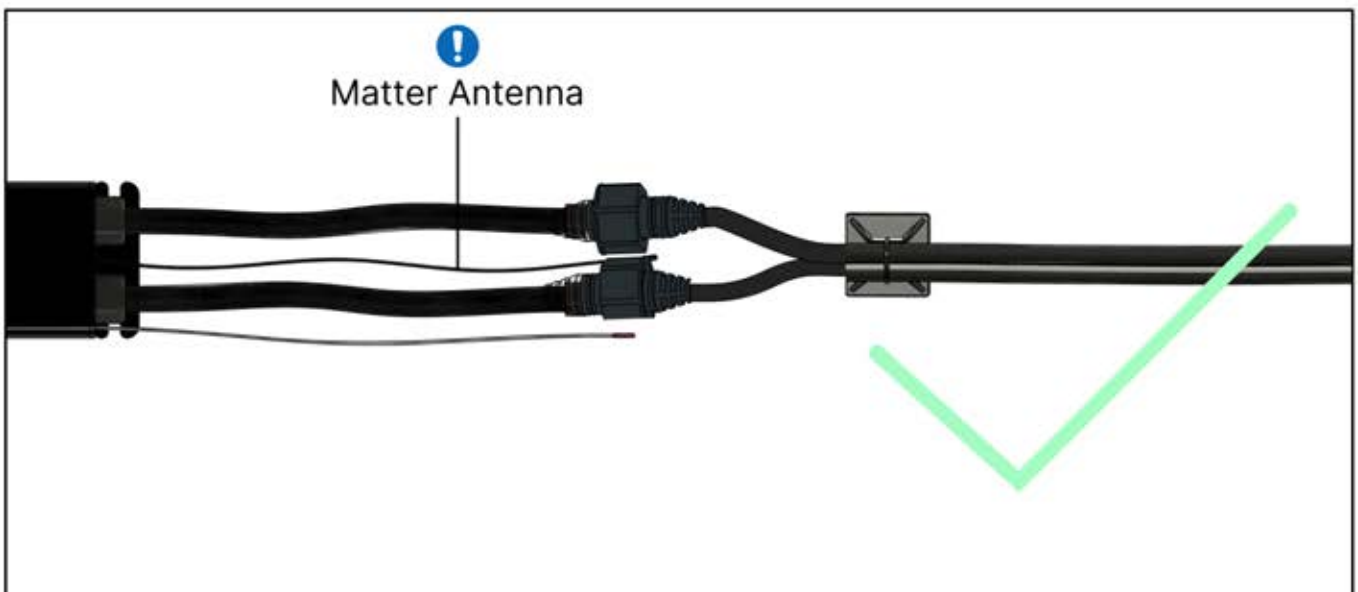
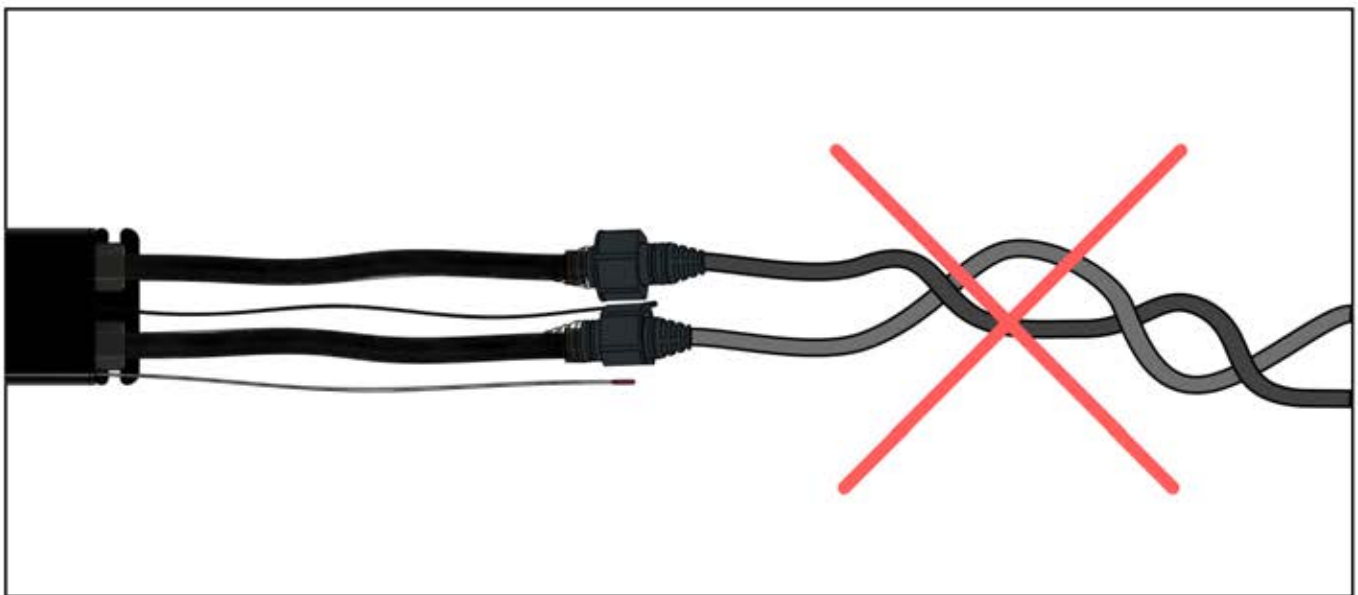
It's time to connect the motor and LED lights to the pergola control box.

Follow the instruction in the assembly manual.




26


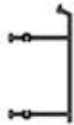
 <p>CONTROL BOX</p>	<p>S4</p>  <p>PN-200002683 5x</p>  <p>PN-200002684 10x</p>
<p>! Keep the Matter Antenna wire free and do not tie them with LED and Motor wire</p>	

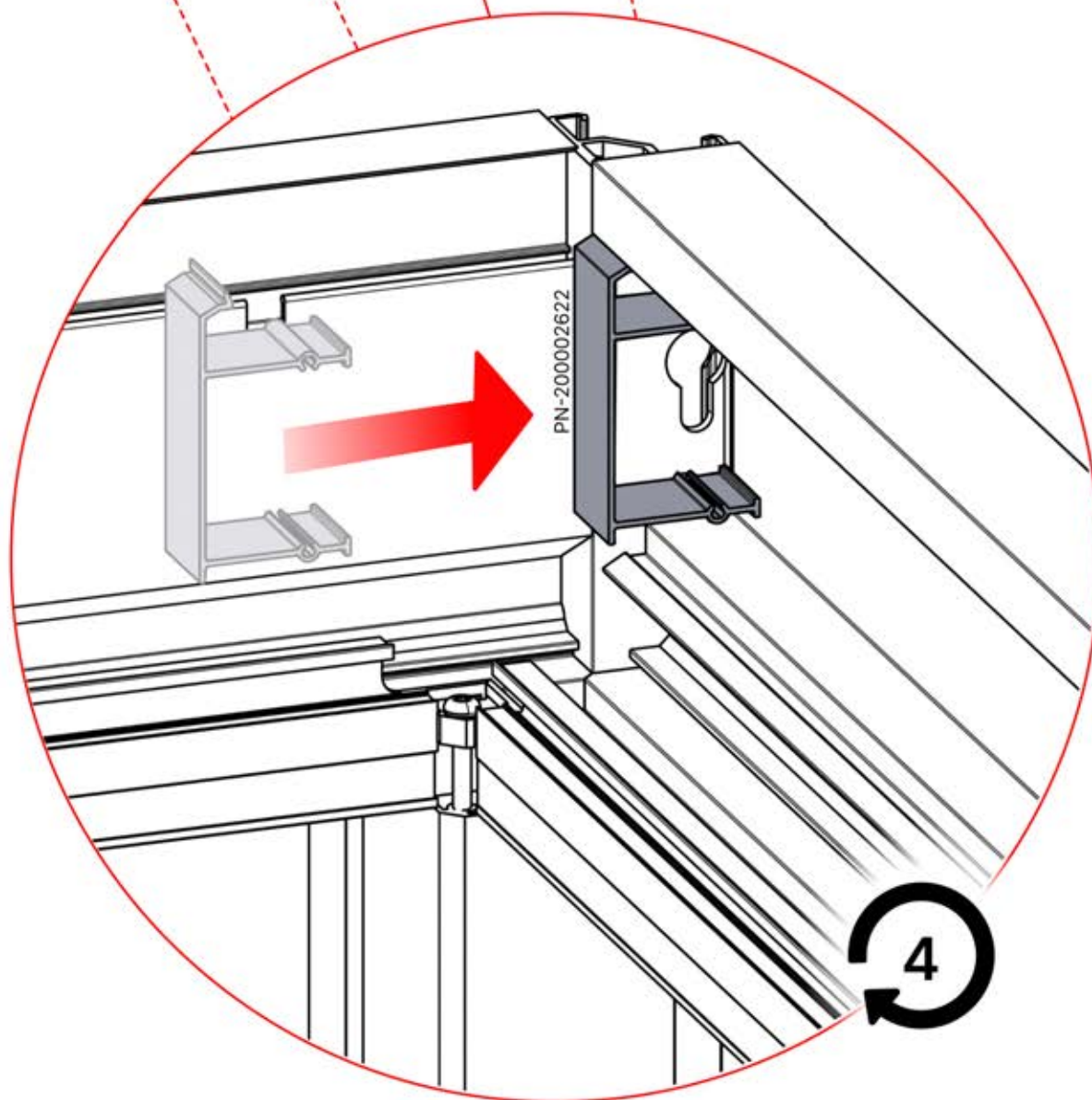
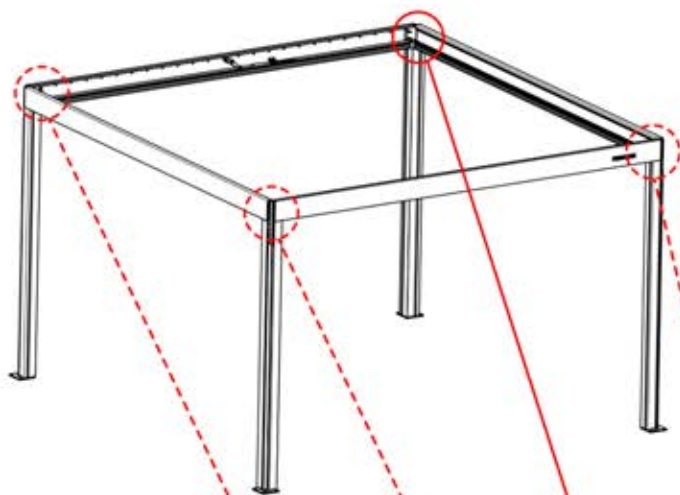


27

 **4**

ANTHRACITE: B233
WHITE: B241
BLACK: B237

  PN-200002622
4x



28



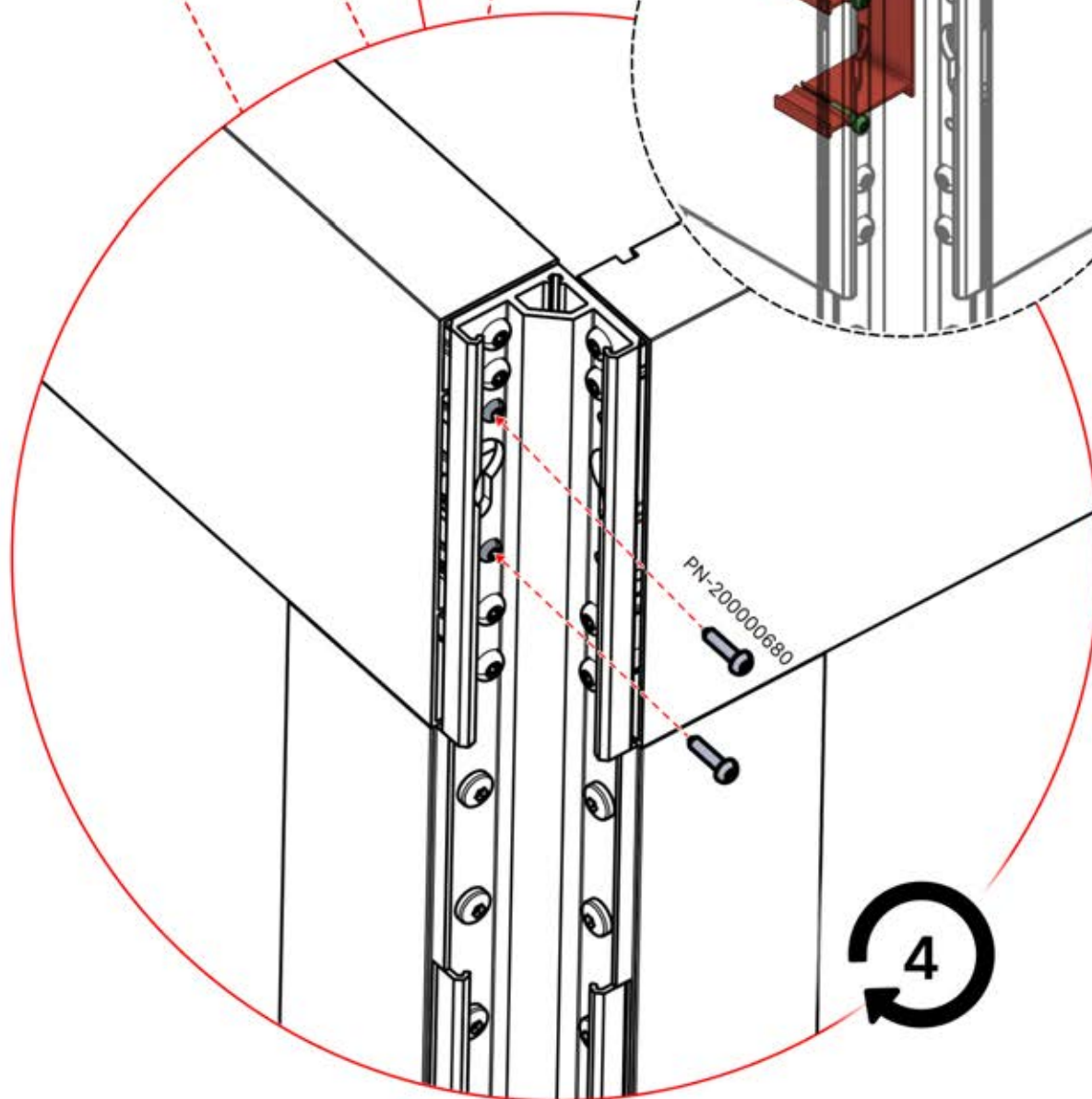
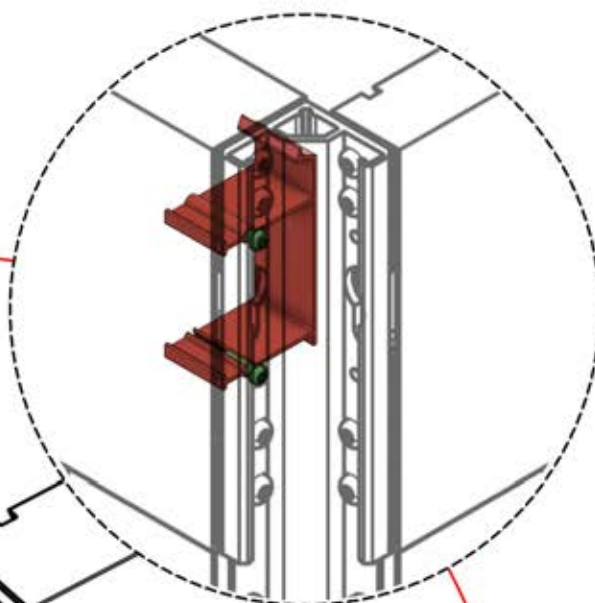
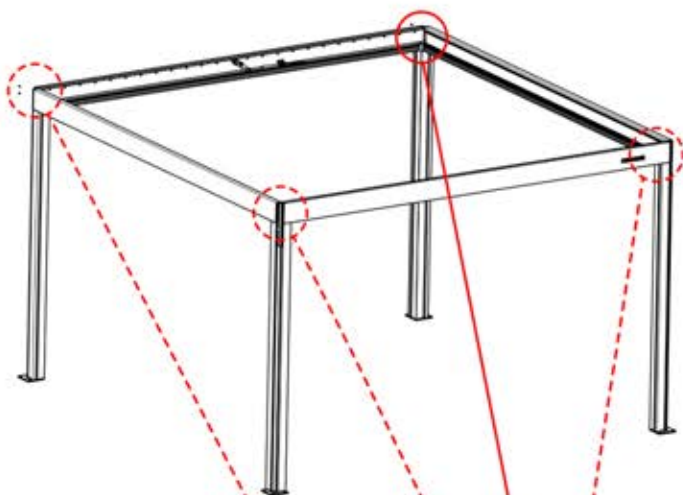
4

ANTHRACITE: B233
WHITE: B241
BLACK: B237



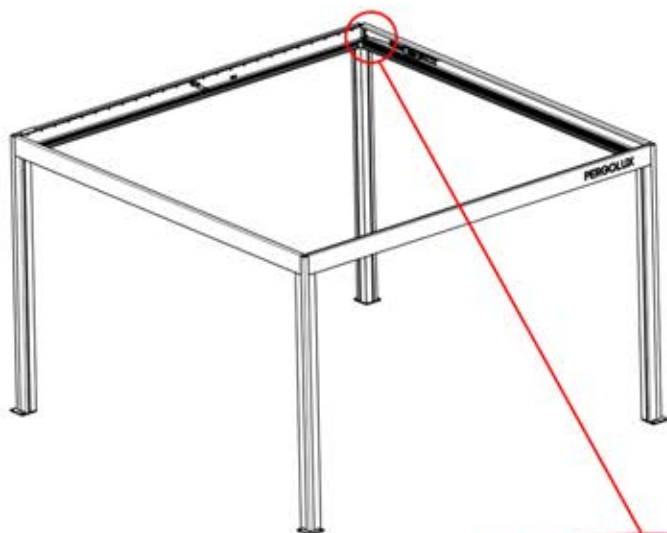
PN-200000680

8x

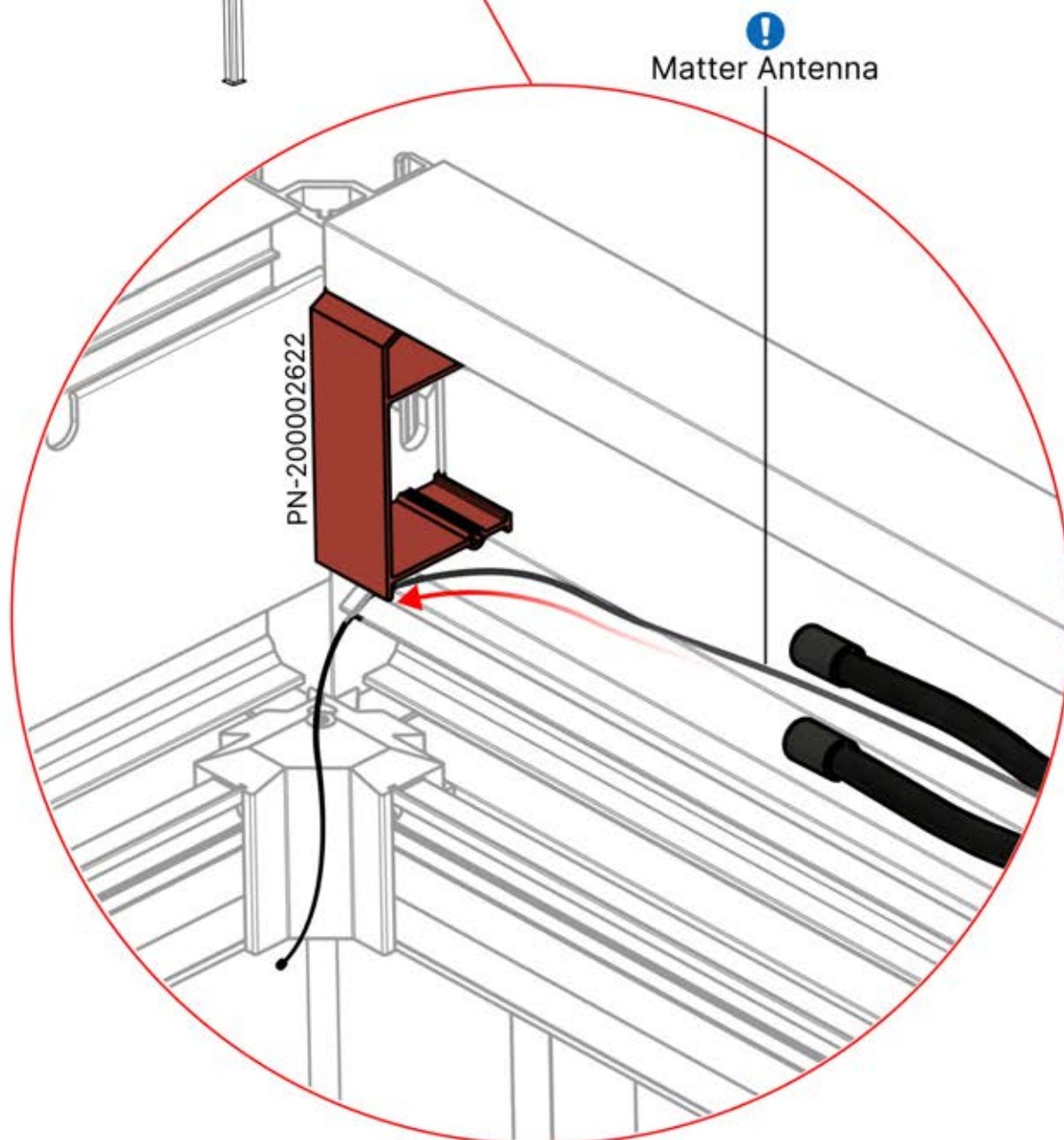


4

29



!
Route the Matter
Antenna and place it
below the highlighted
part(PN-200002622).




30

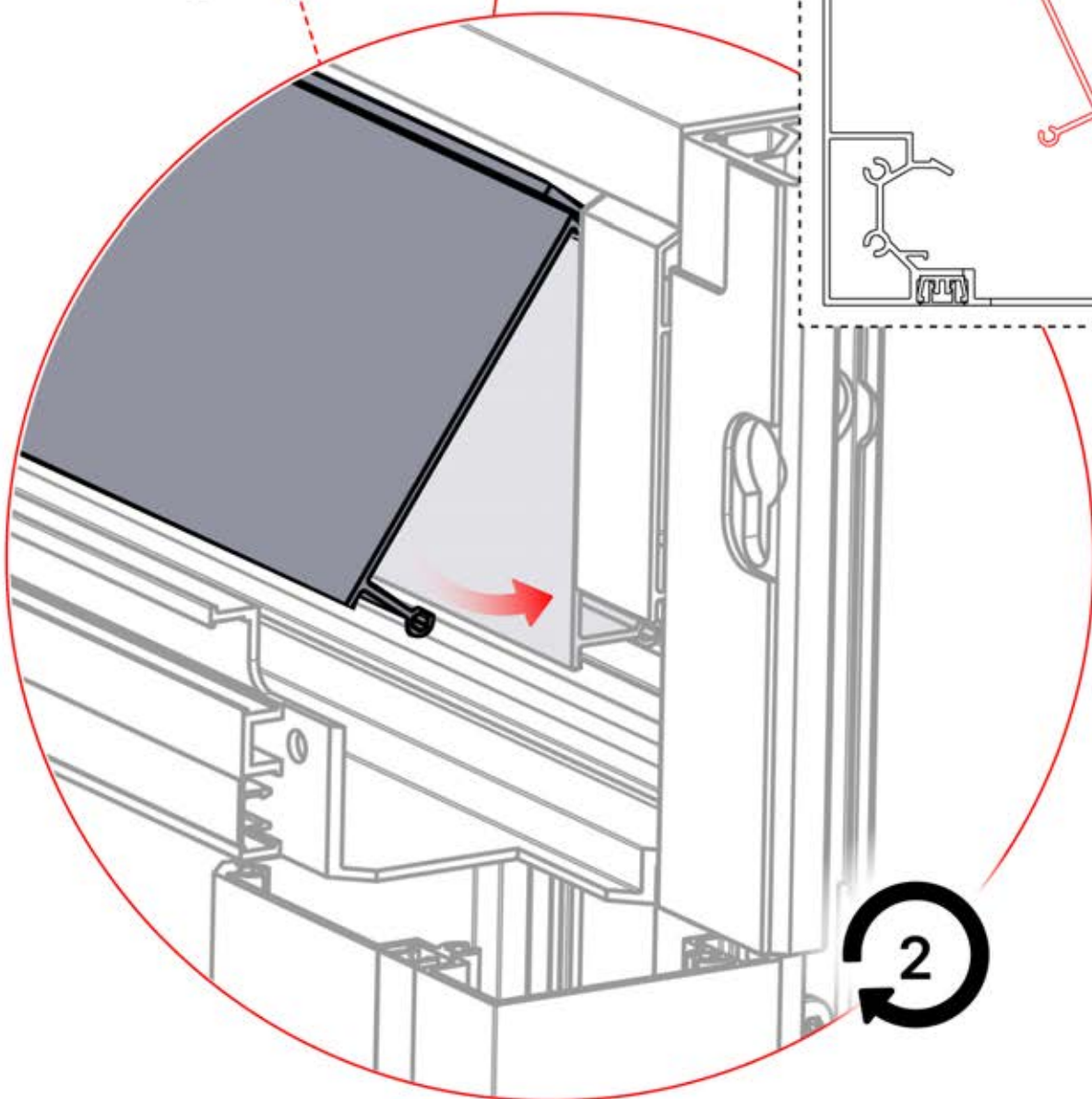
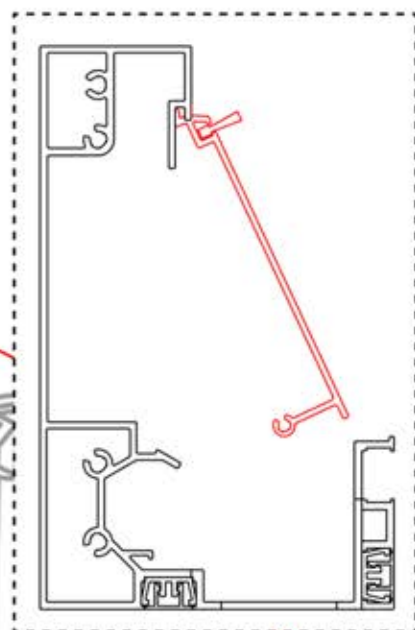
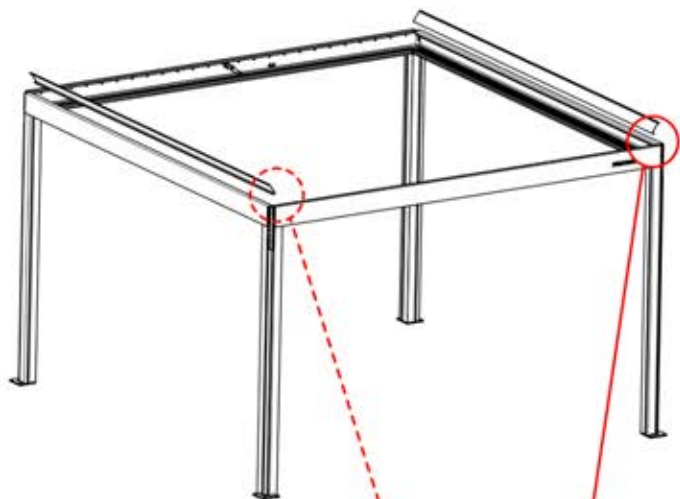
x1
PERGOLUX

5

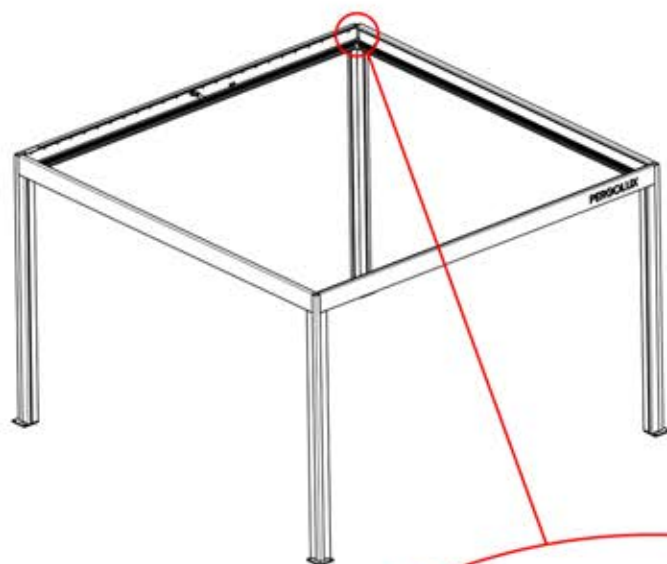
ANTHRACITE: B257
WHITE: B261
BLACK: B259



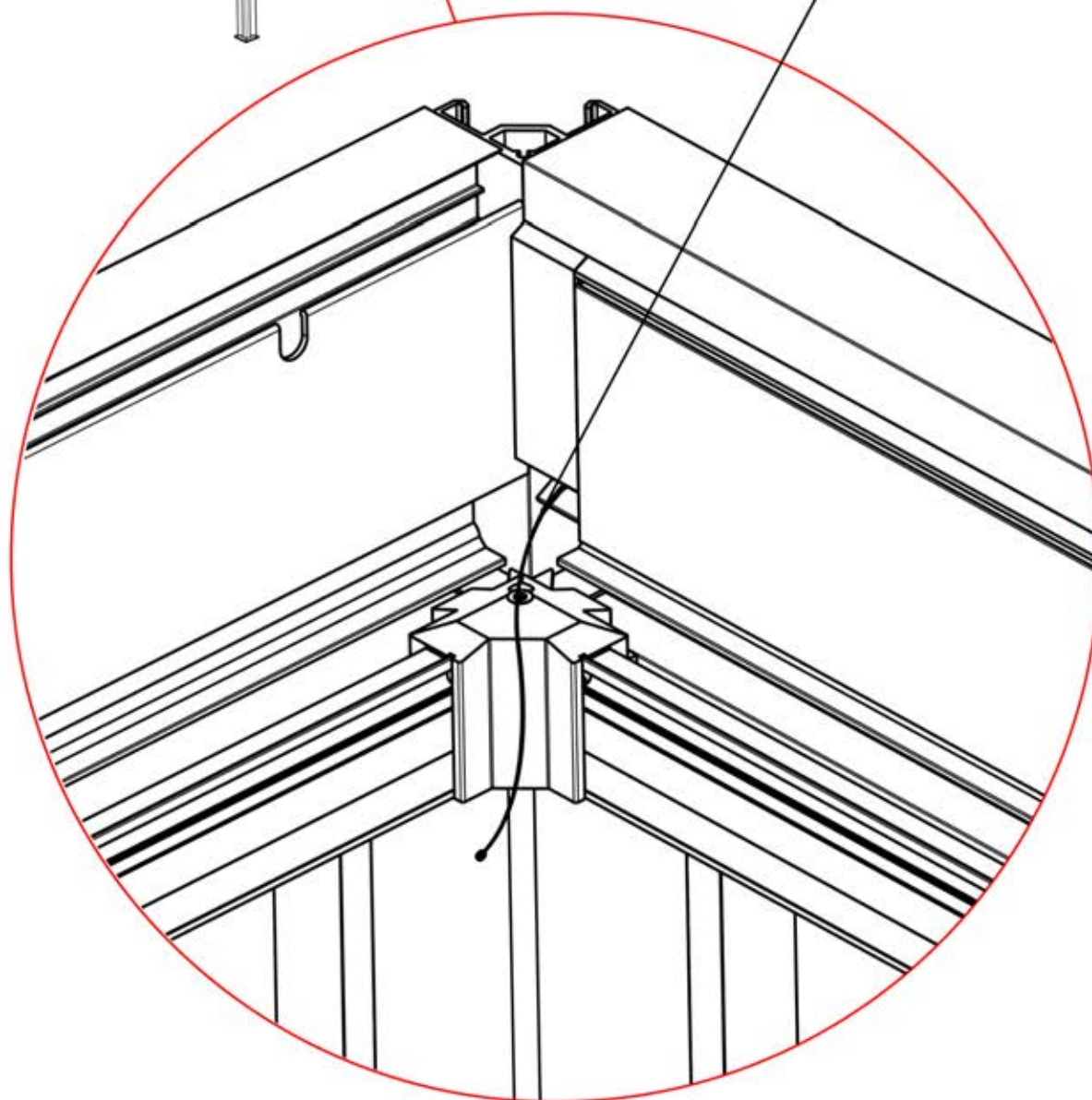
PN-200003555
2x



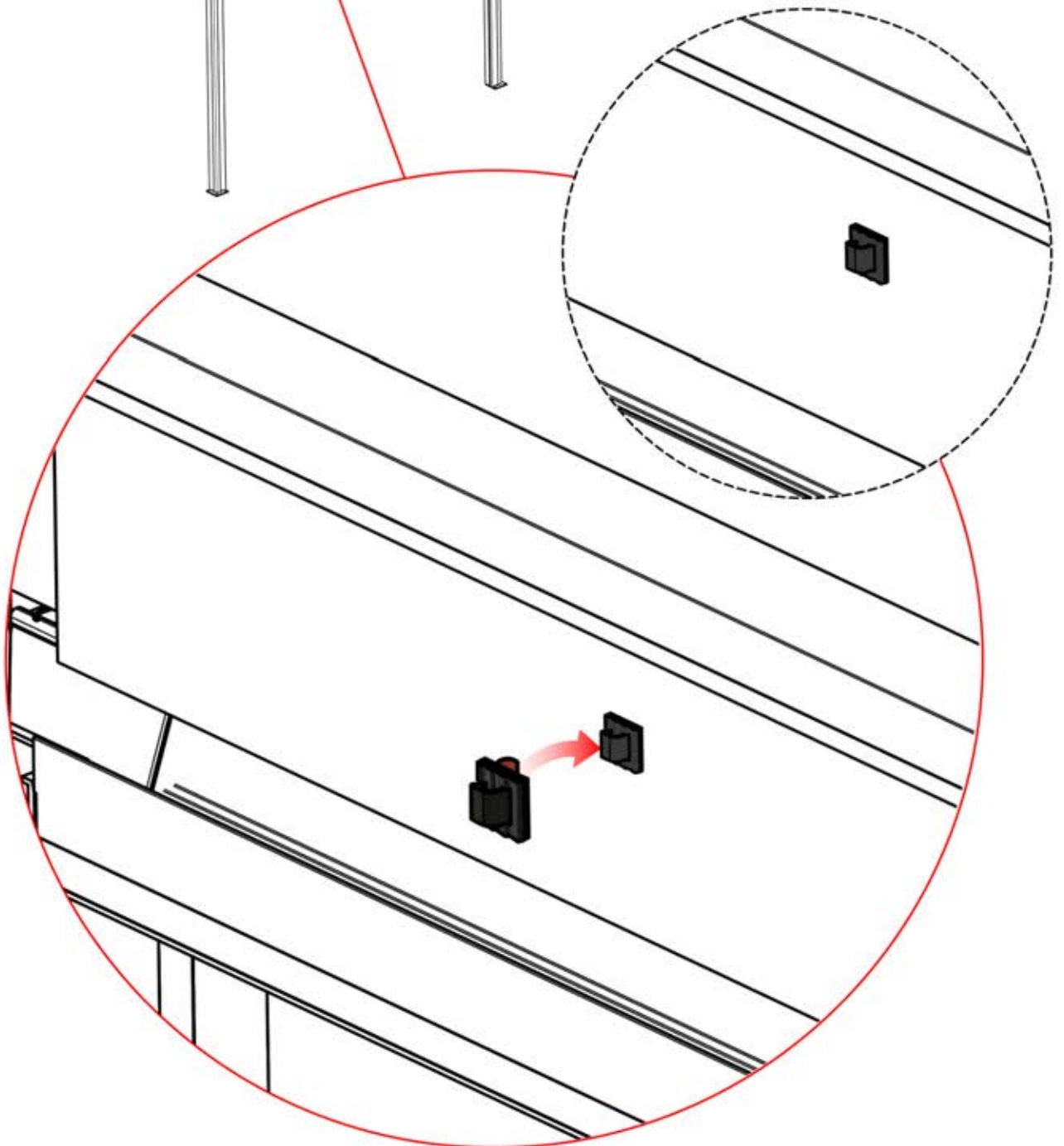
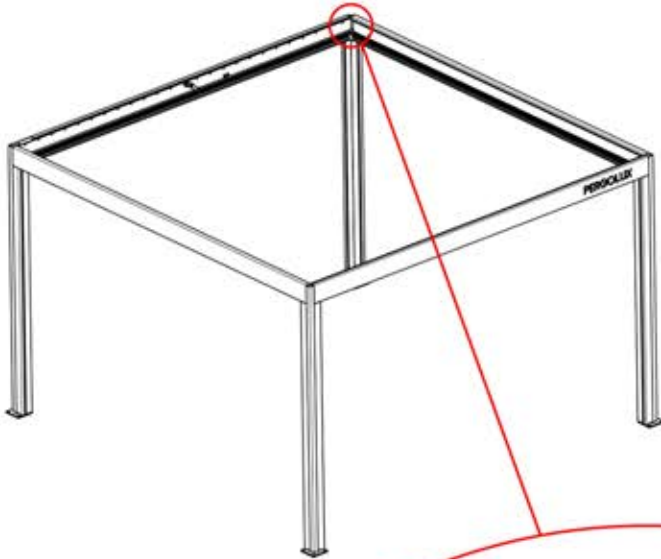
INFORMATION



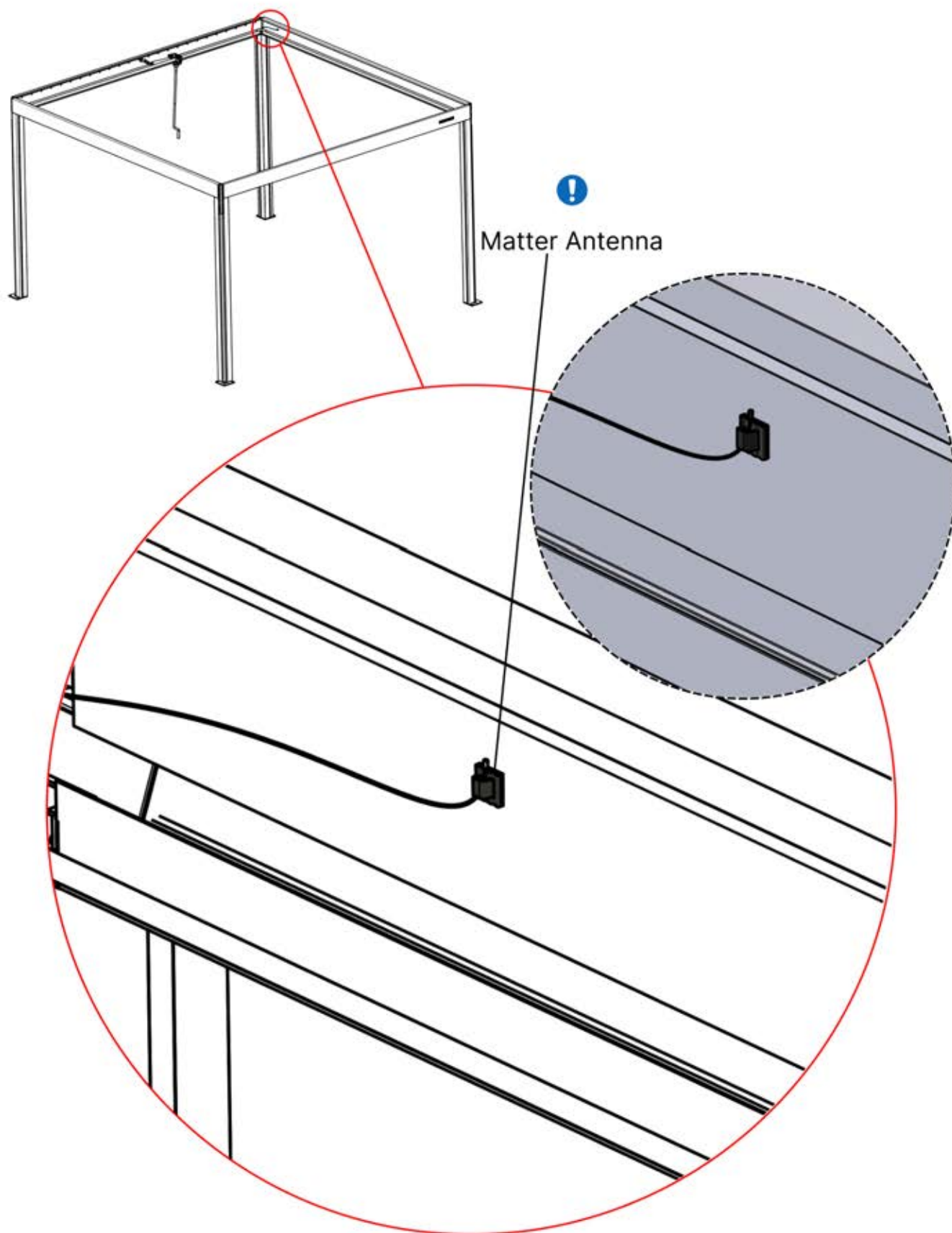
Matter Antenna



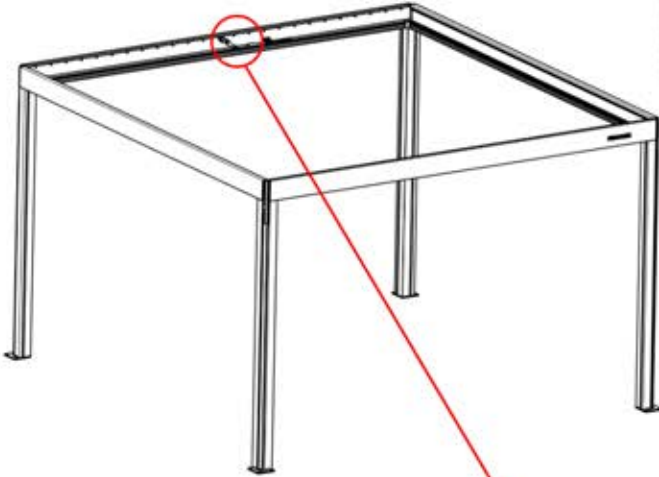
31



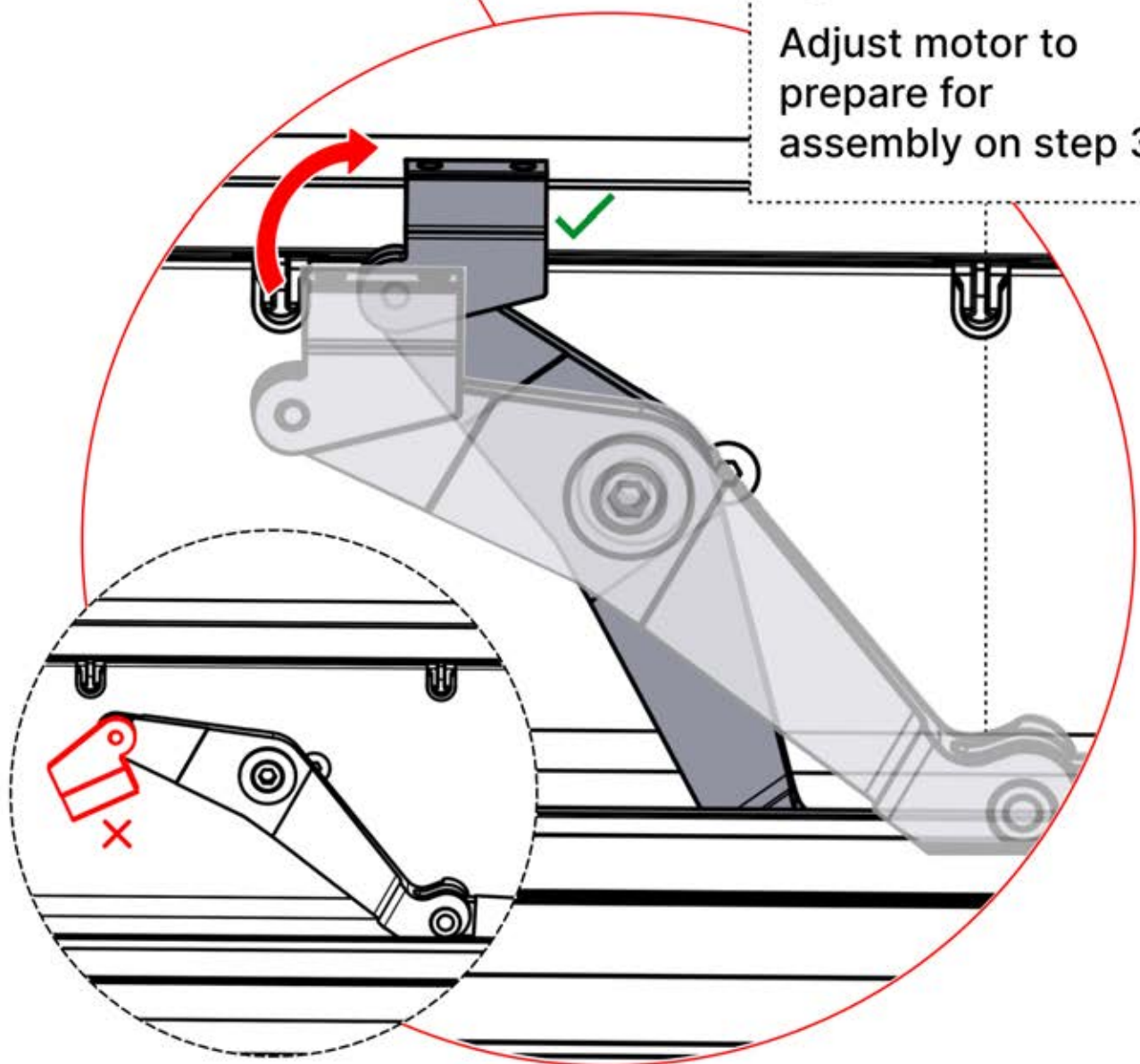
32



33



 Adjust motor to prepare for assembly on step 34

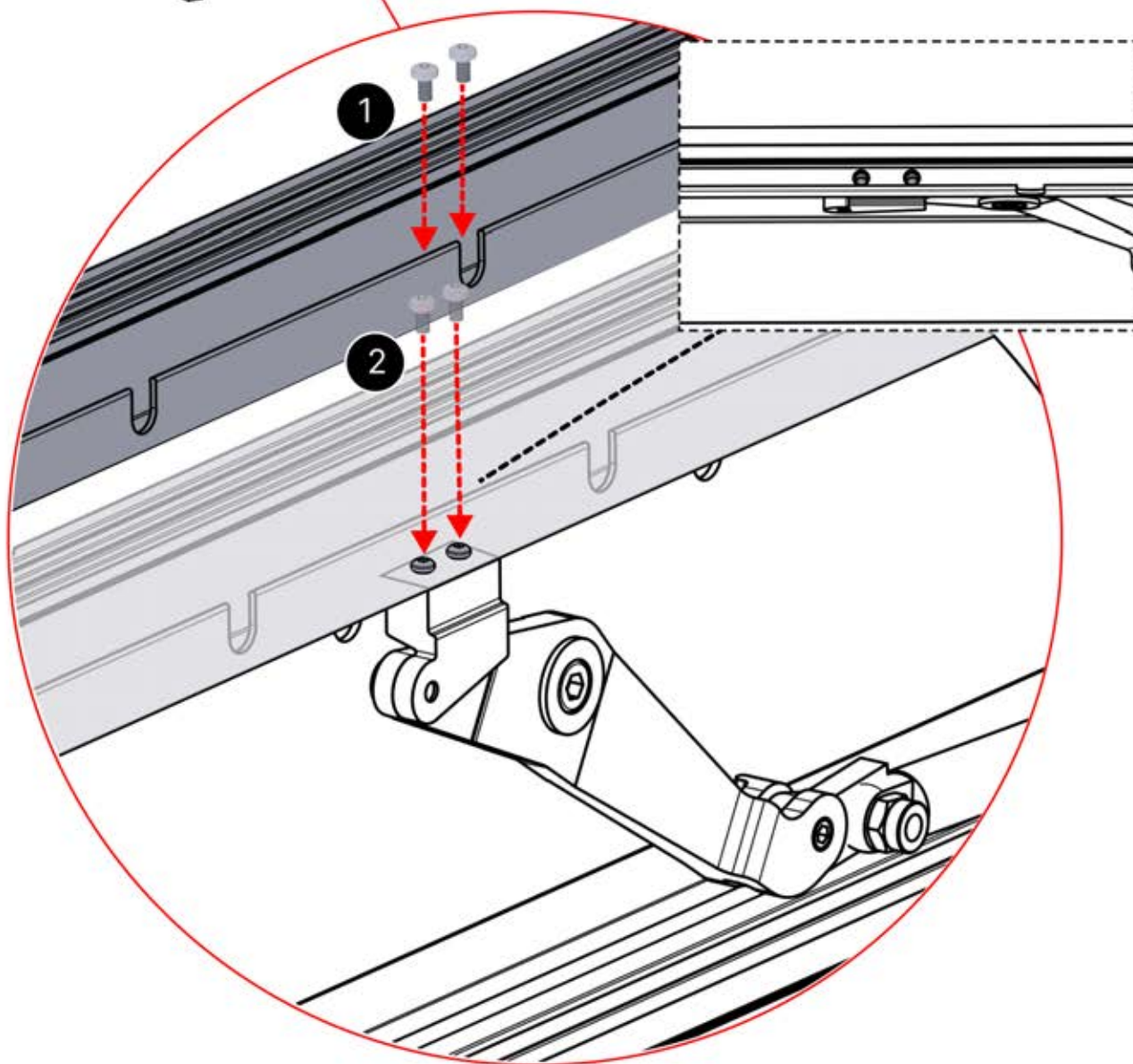
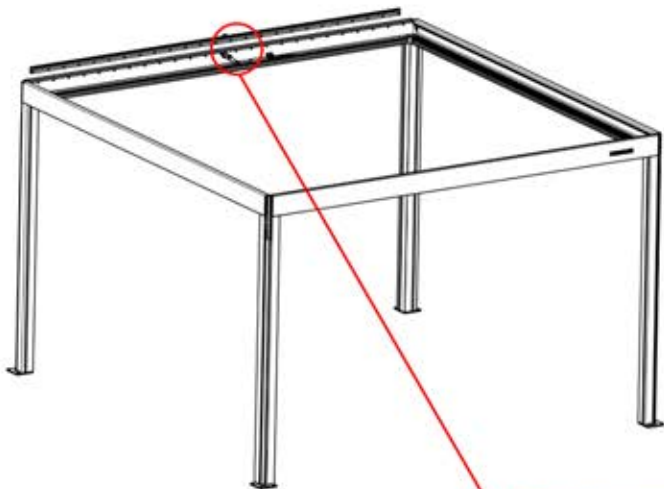


34

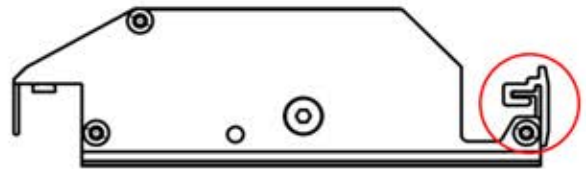


4

ANTHRACITE: B233
WHITE: B241
BLACK: B237



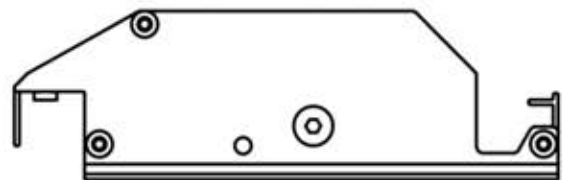
ITEMS IN BOX



3
 ANTHRACITE: L228
 WHITE: L232
 BLACK: L230

PLR 150 G2 PRO LOUVER END FS 4M
 PACKAGE
 PN-200002985

1x



Standard

2
 ANTHRACITE: L216
 WHITE: L220
 BLACK: L218

PLR 150 G2 PRO LOUVER STD FS 4M
 PACKAGE
 PN-200002980



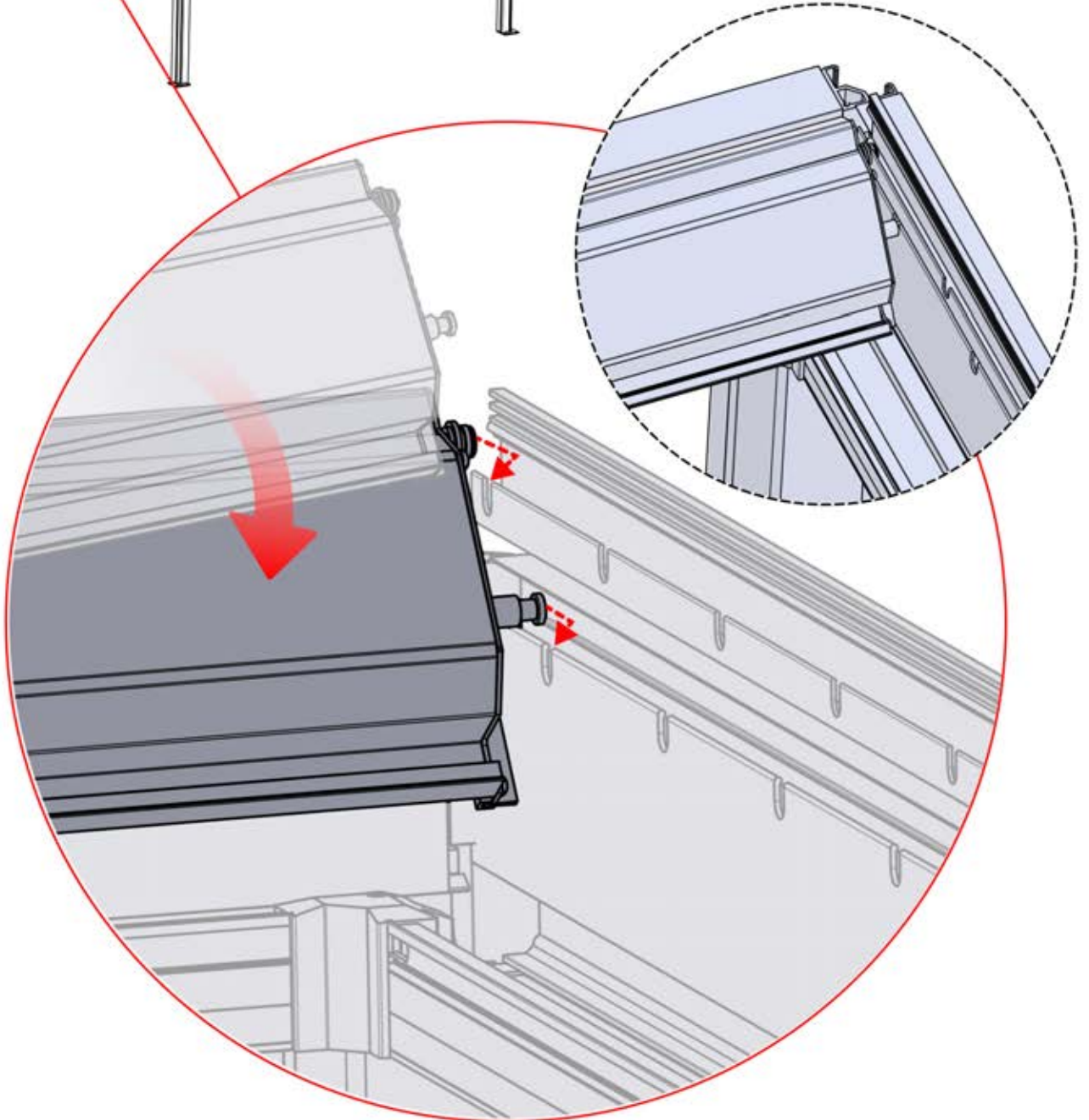
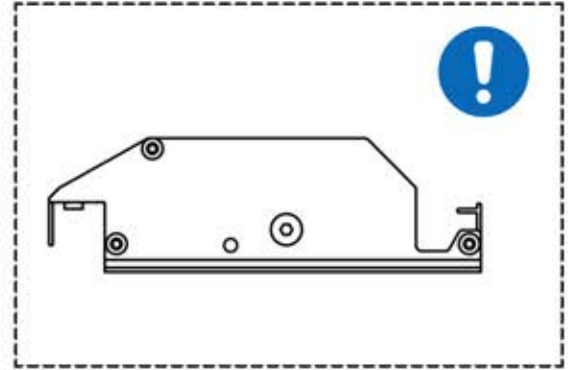
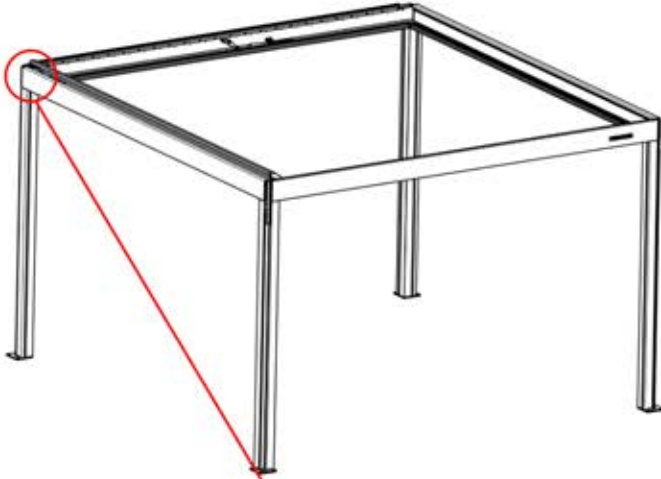

35

x3
FERGOLUX
FERGOLUX
FERGOLUX

2

ANTHRACITE: L216
WHITE: L220
BLACK: L218

PN-200002980
1x



36

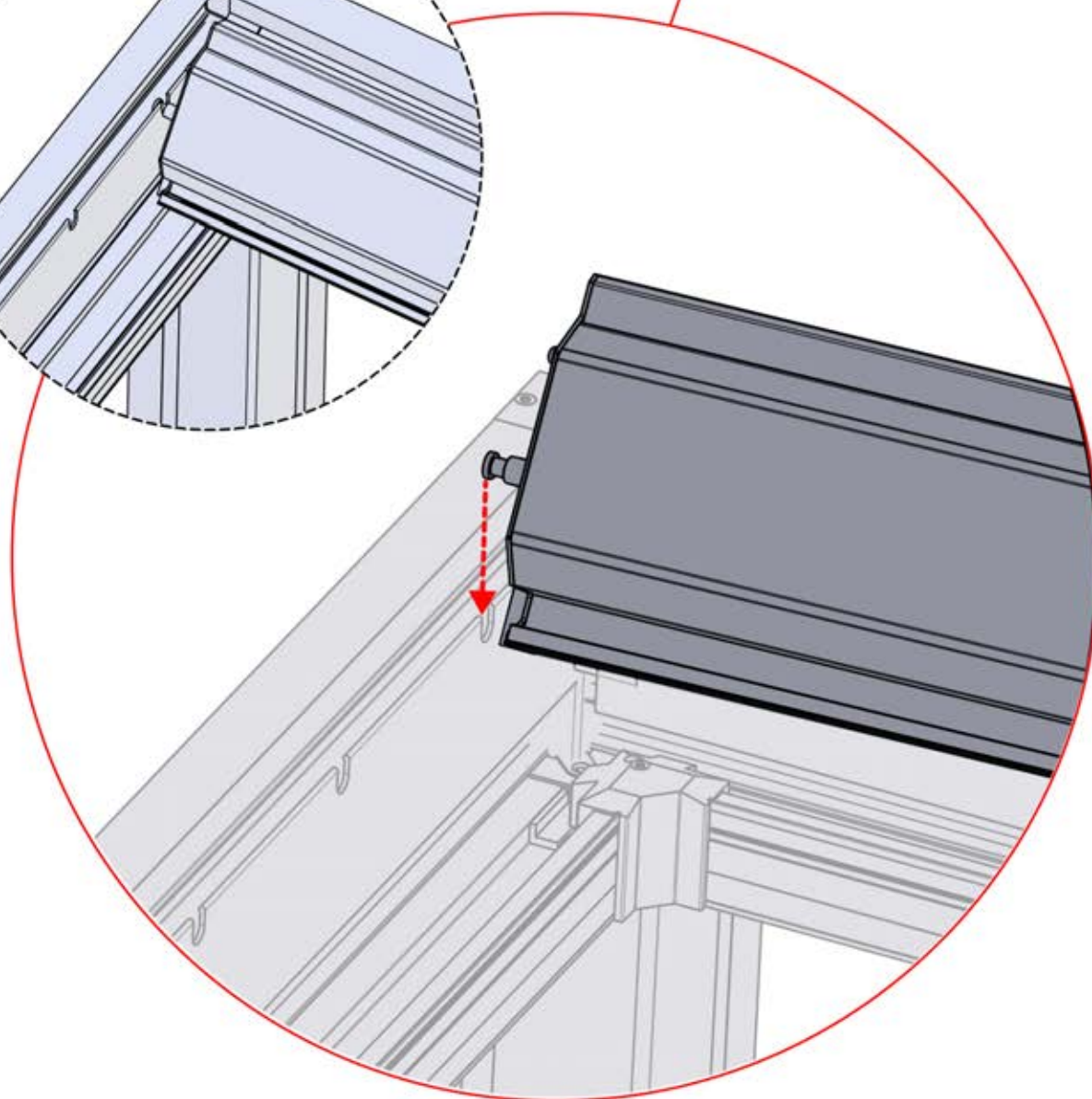
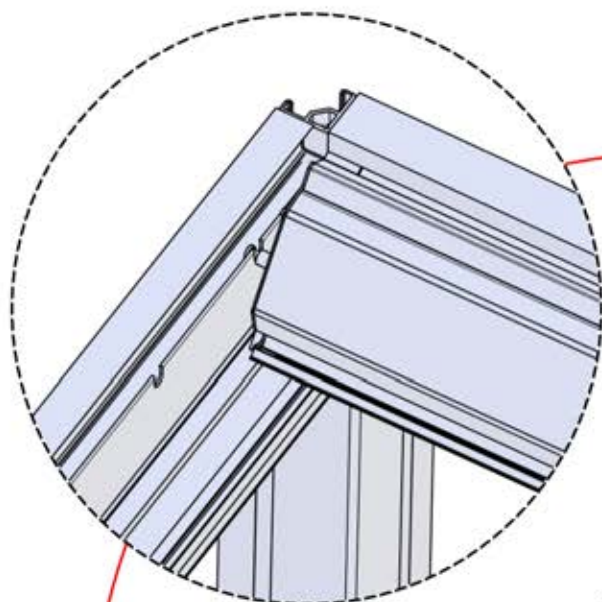
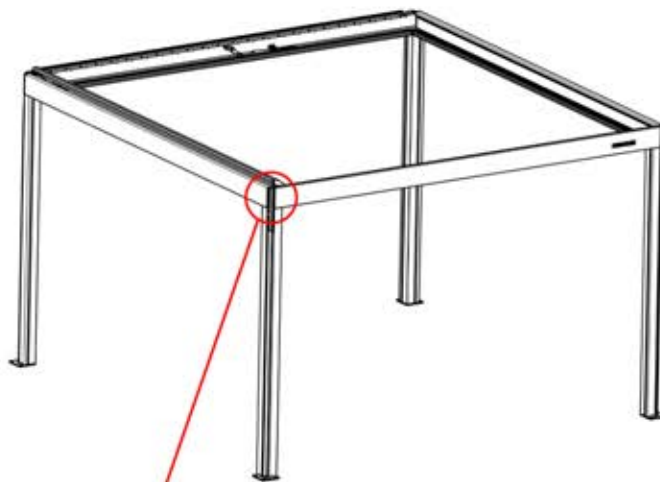

x3
PERGOLUX
PERGOLUX
PERGOLUX

2

ANTHRACITE: L216
WHITE: L220
BLACK: L218

PN-200002980

1x



37

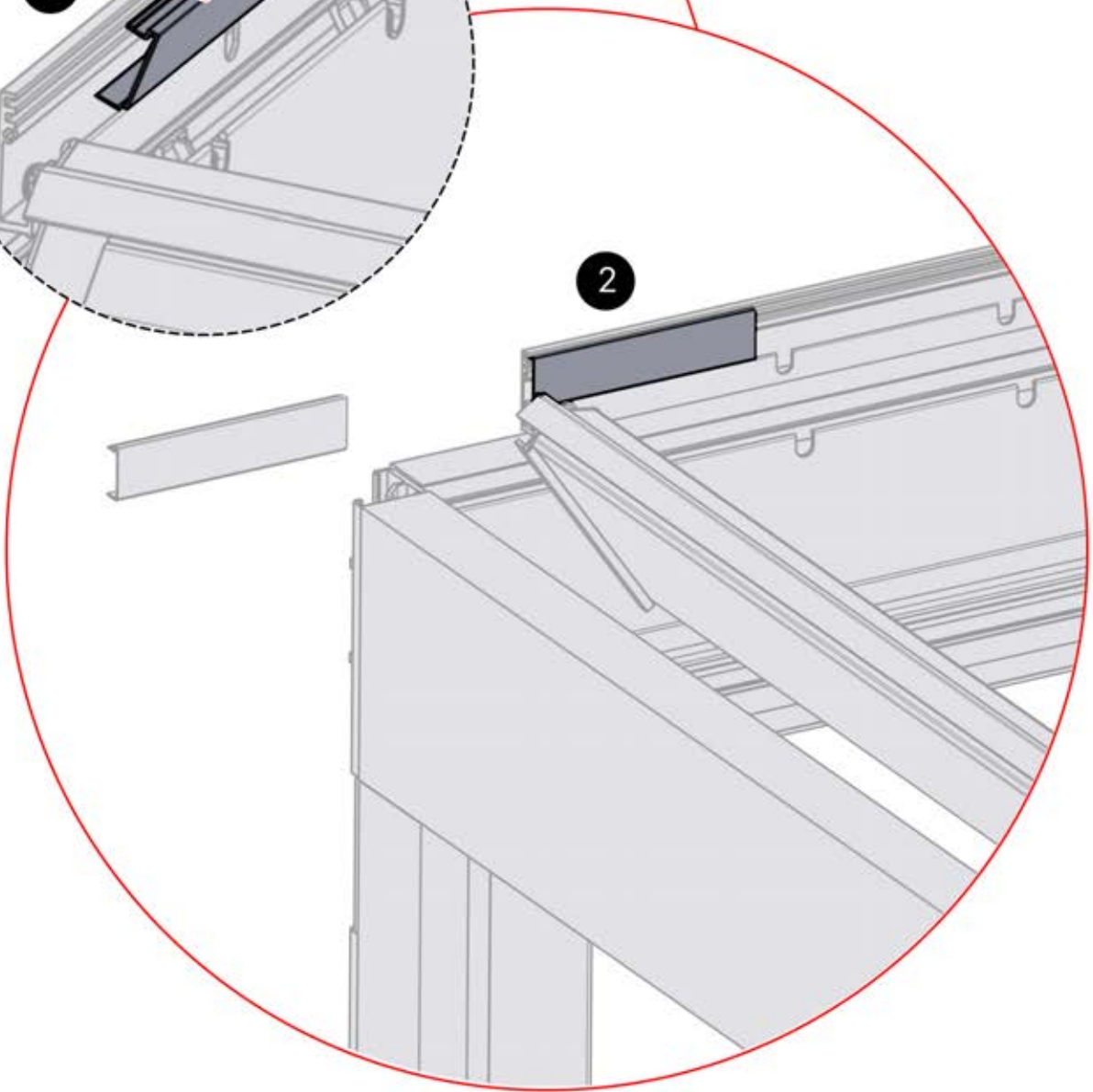
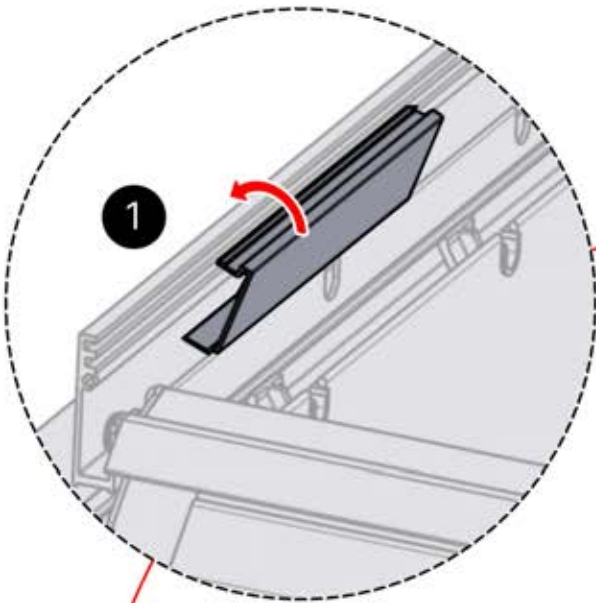
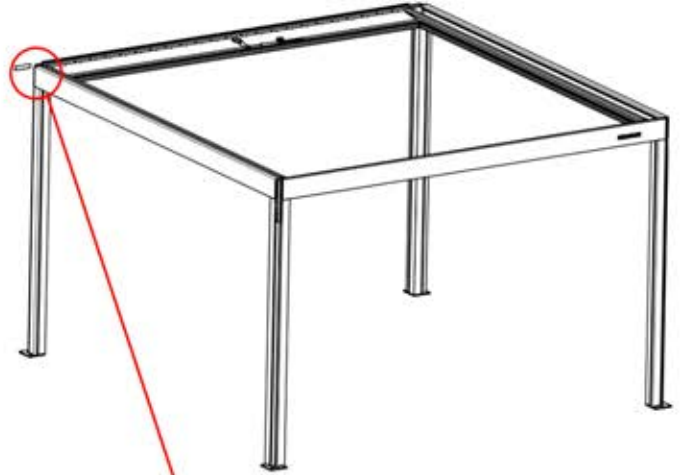


4

ANTHRACITE: B233
WHITE: B241
BLACK: B237



PN-200003033
1X

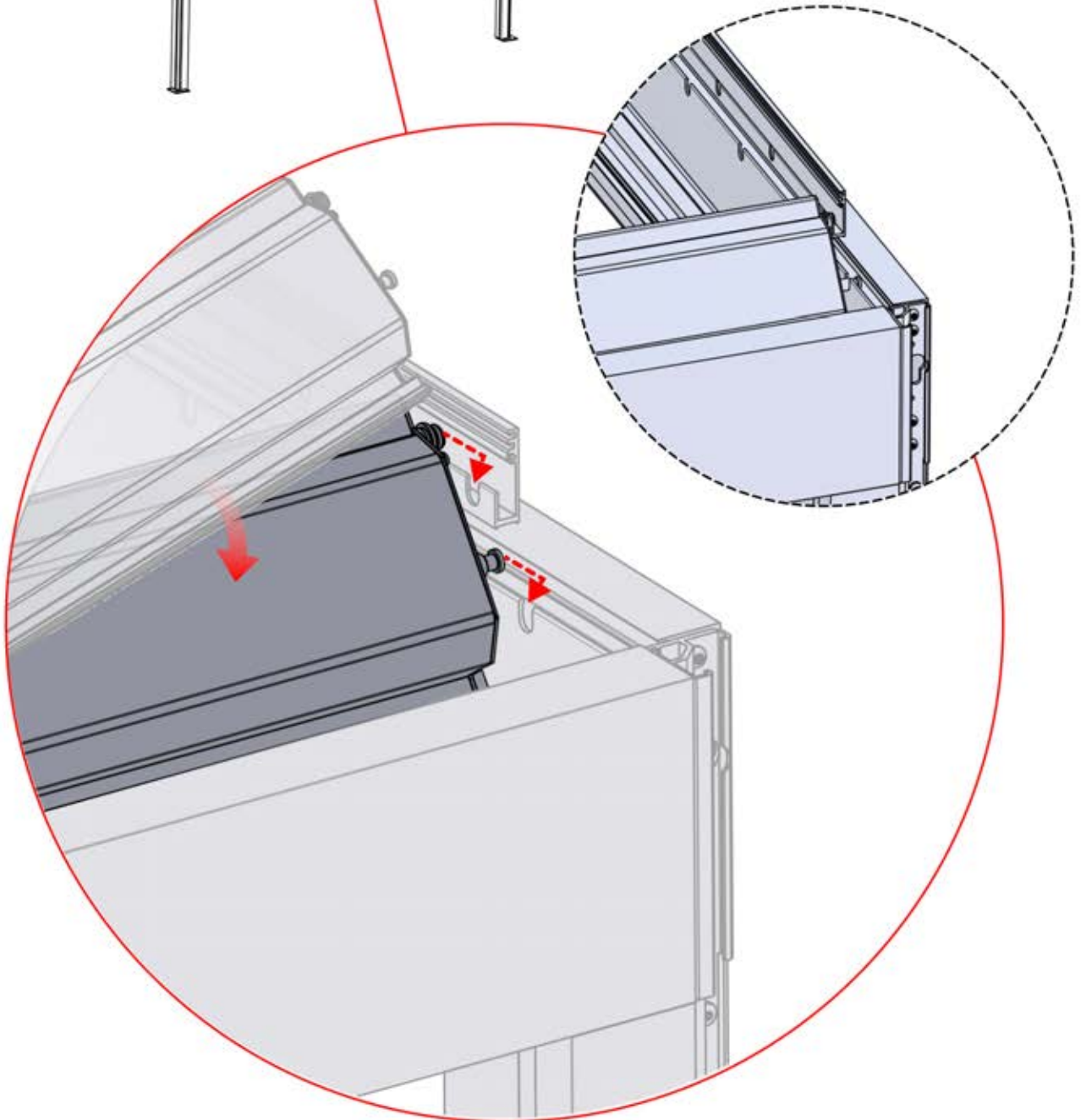
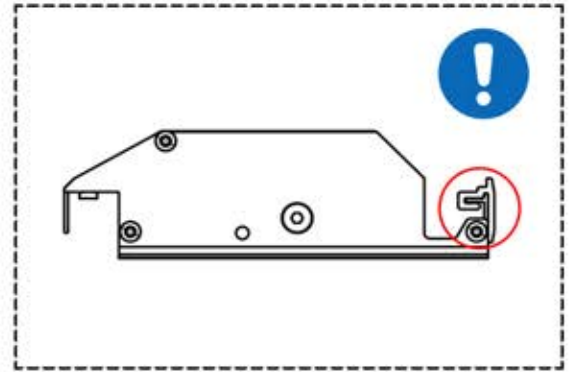
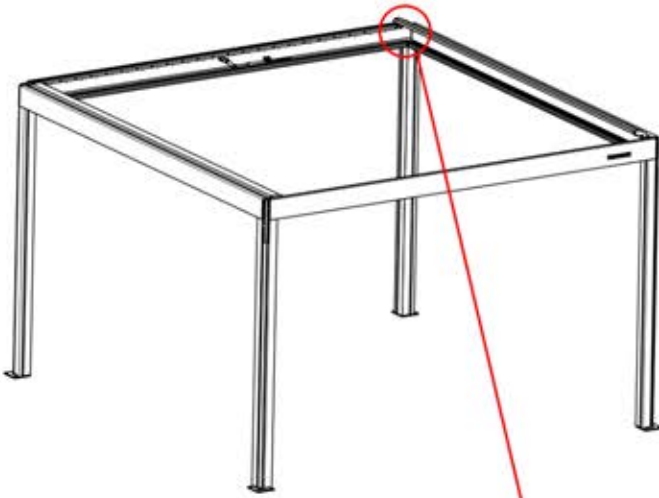
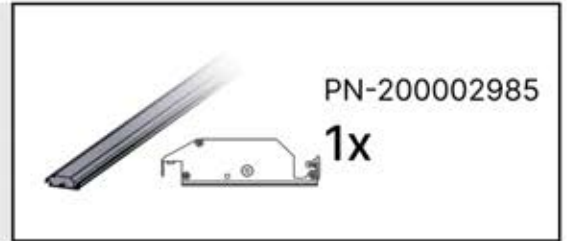


38



3

ANTHRACITE: L228
WHITE: L232
BLACK: L230

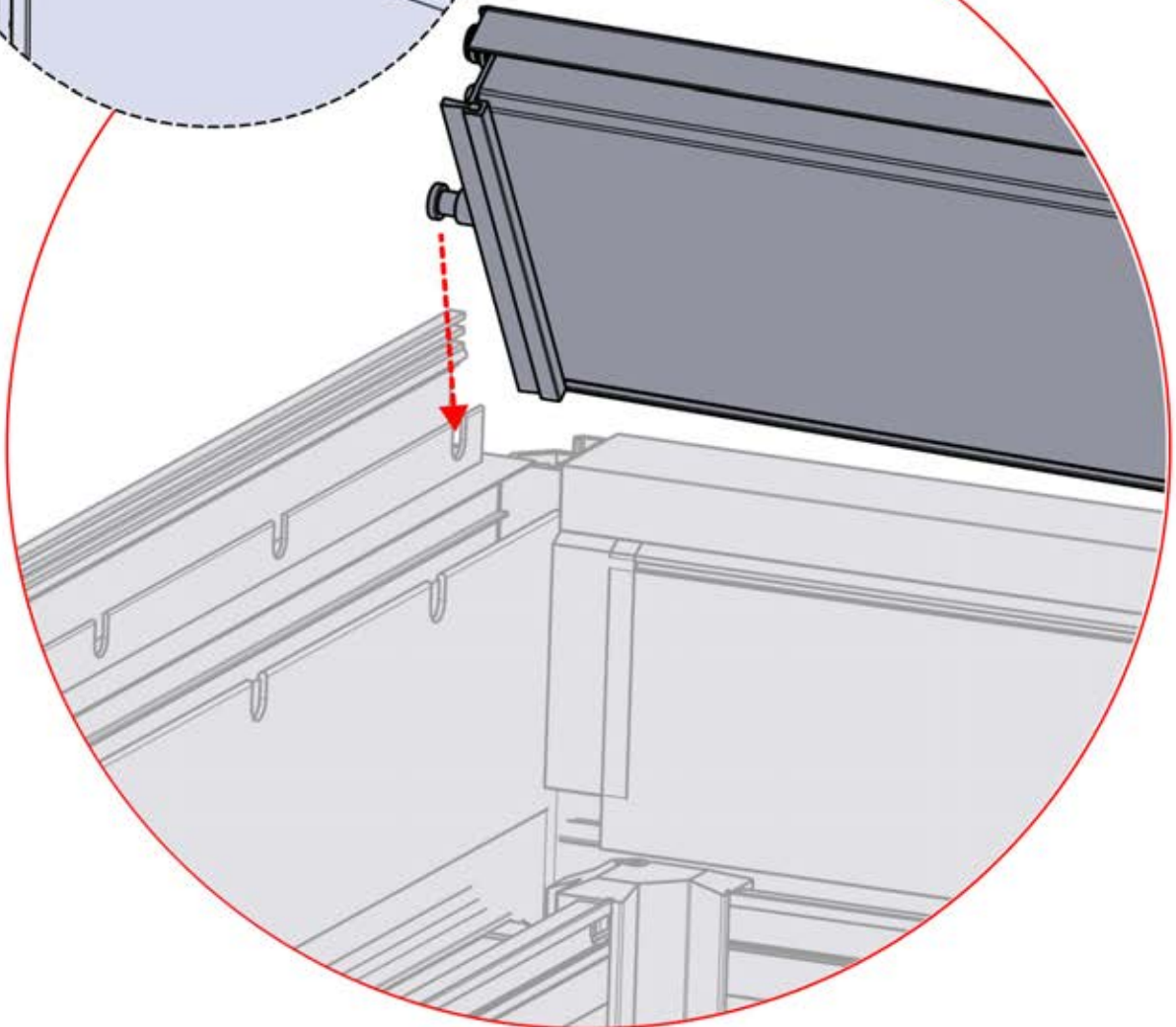
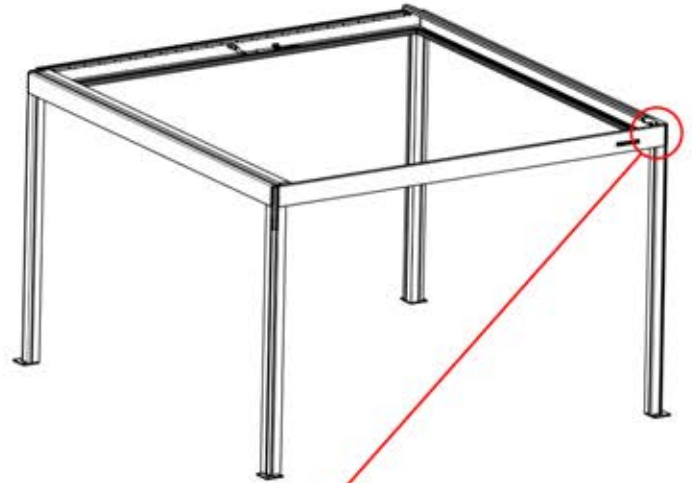
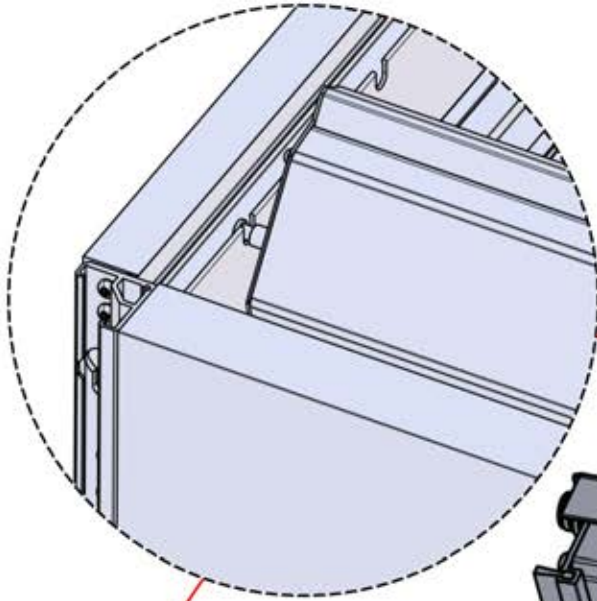
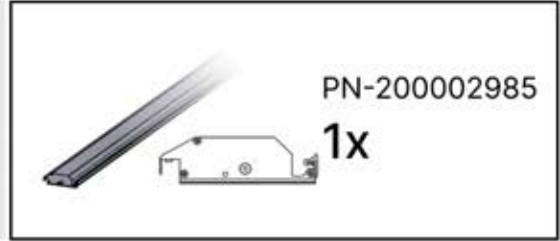


39



3

ANTHRACITE: L228
WHITE: L232
BLACK: L230

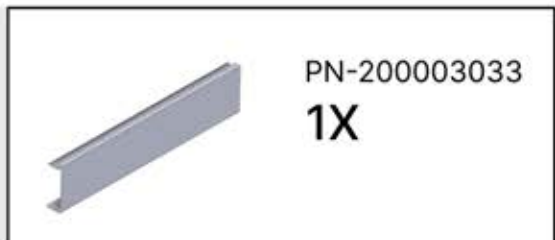


40

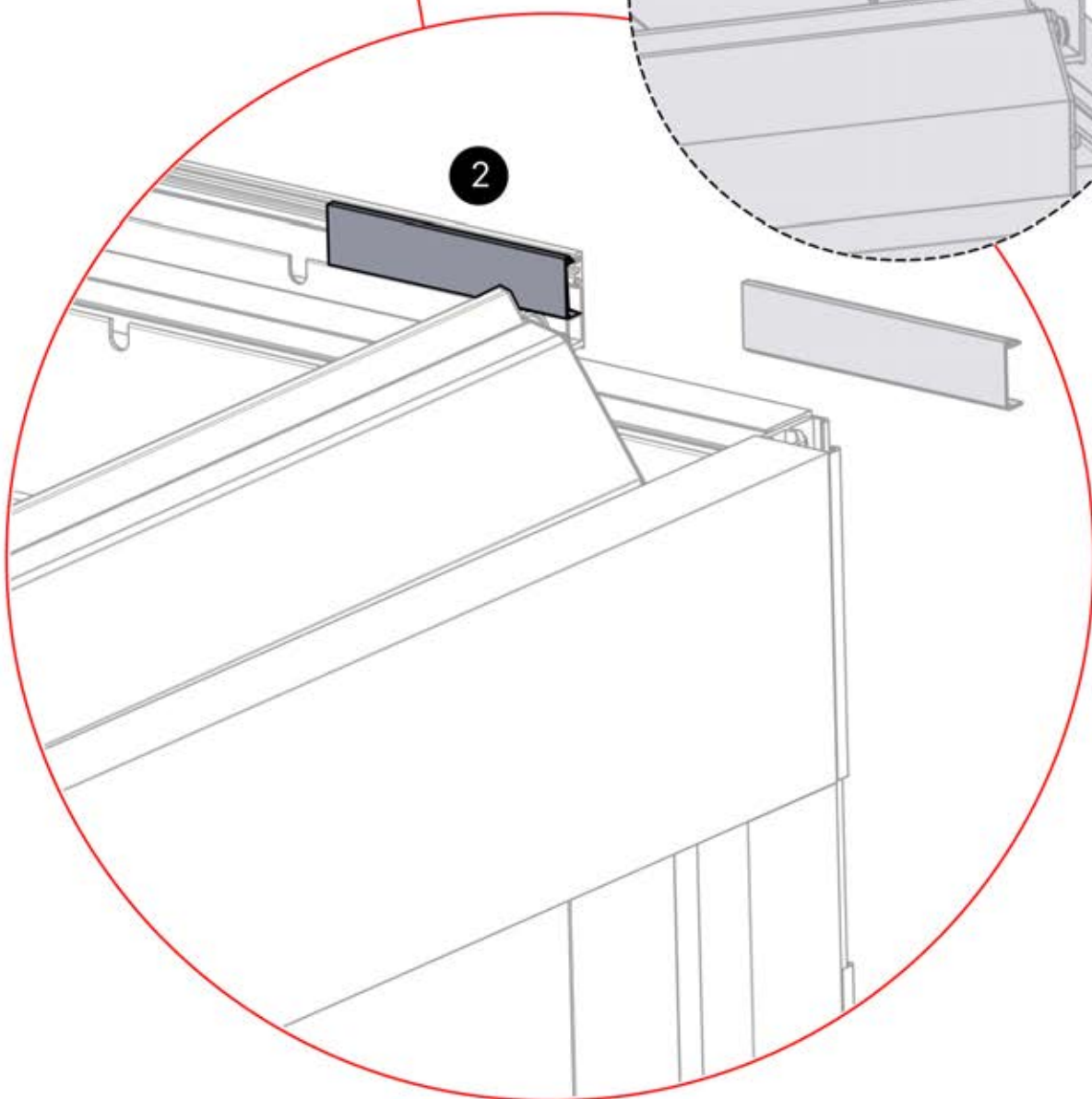
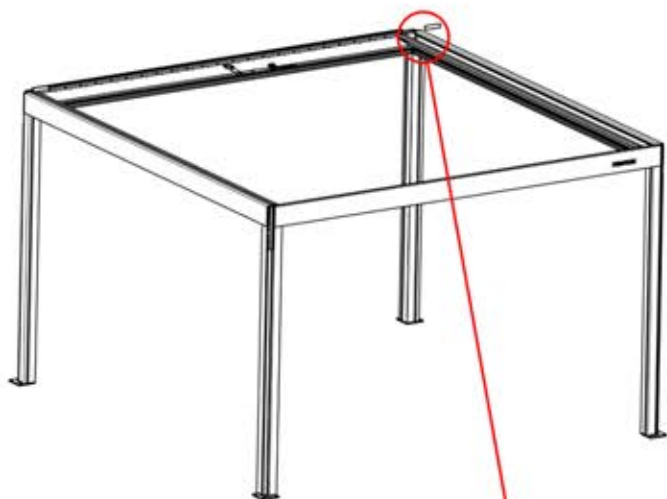


4

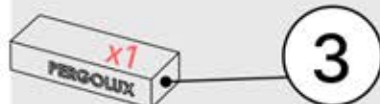
ANTHRACITE: B233
WHITE: B241
BLACK: B237



PN-200003033
1X



41



3

ANTHRACITE: L228
WHITE: L232
BLACK: L230



2

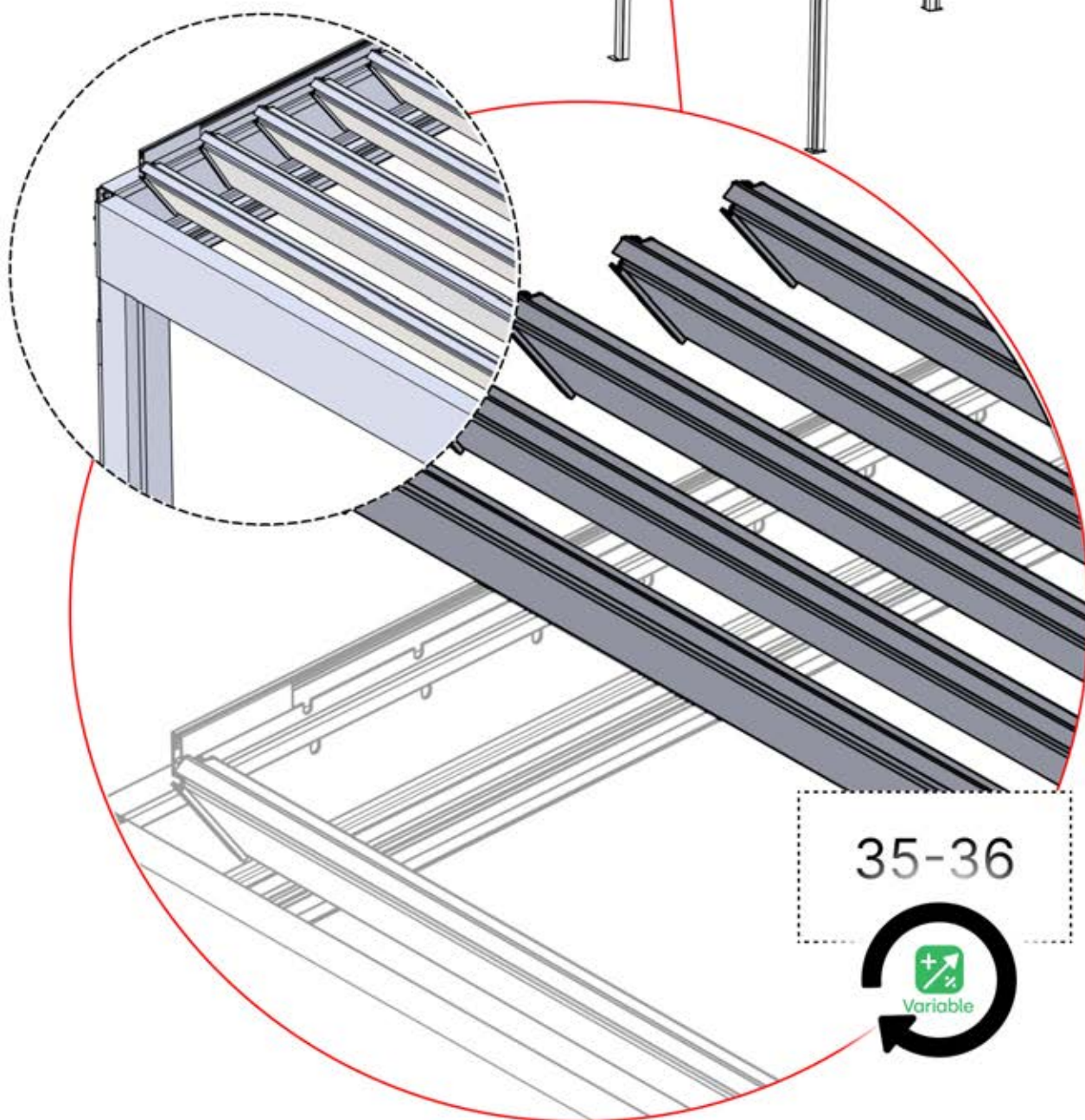
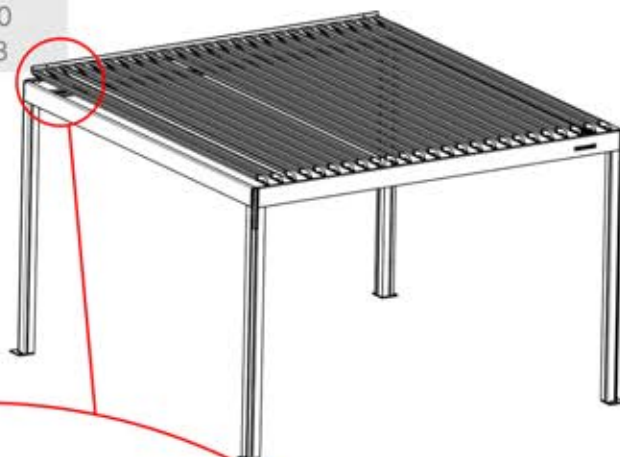
ANTHRACITE: L216
WHITE: L220
BLACK: L218



PN-200002980



Variable




35-36




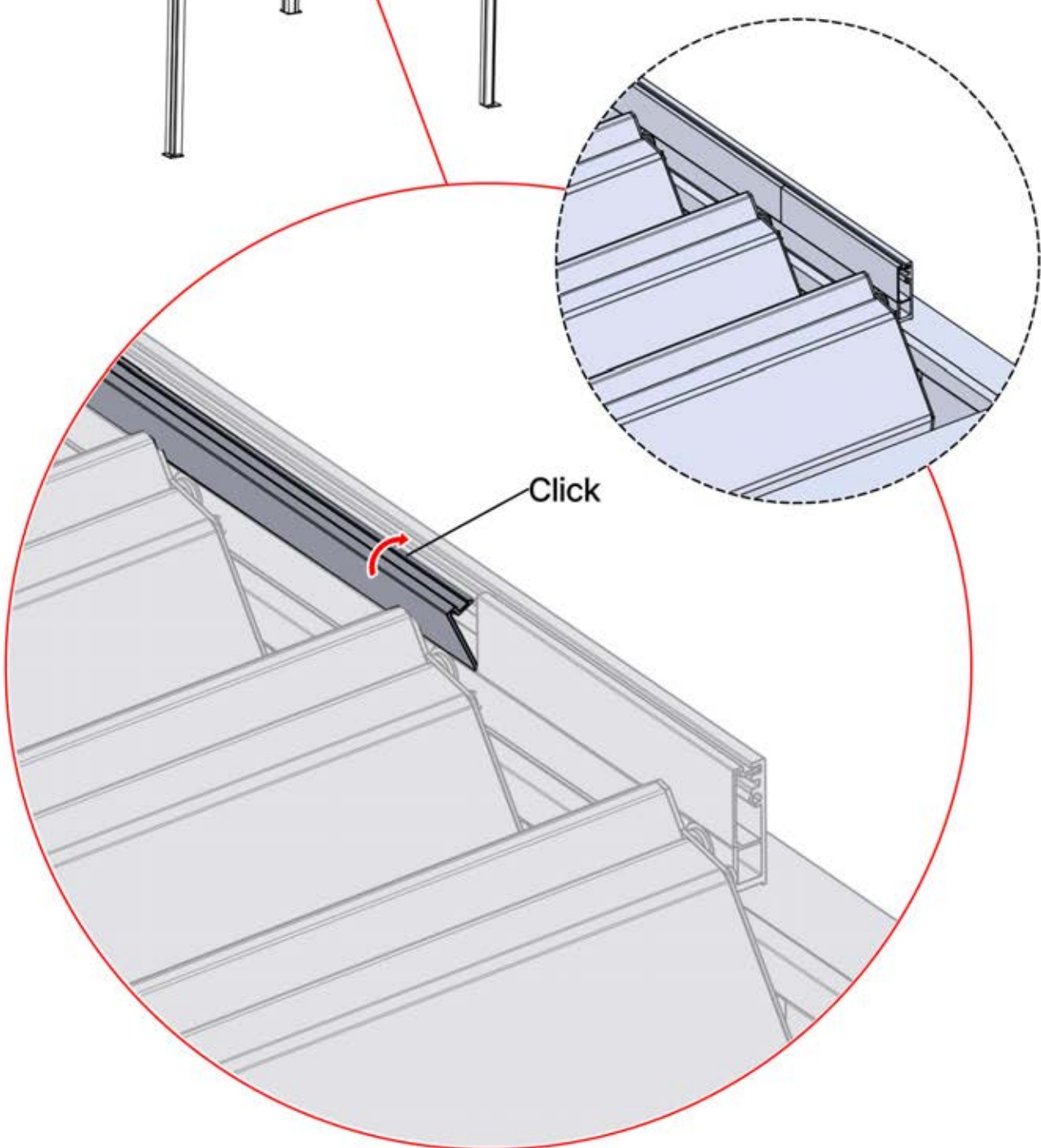
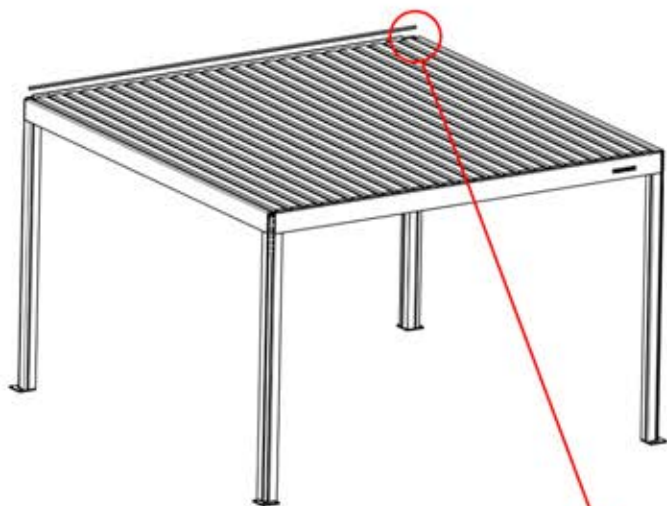
Variable

42

 **4**

ANTHRACITE: B233
WHITE: B241
BLACK: B237

 PN-200003382
1x

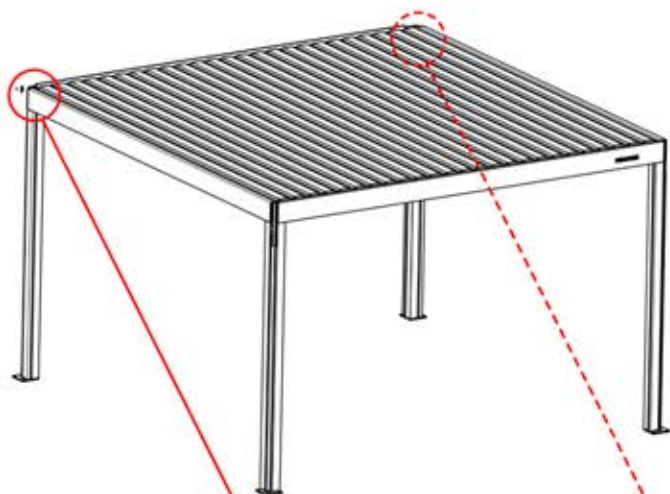


43

x1
FERGOLUX

4

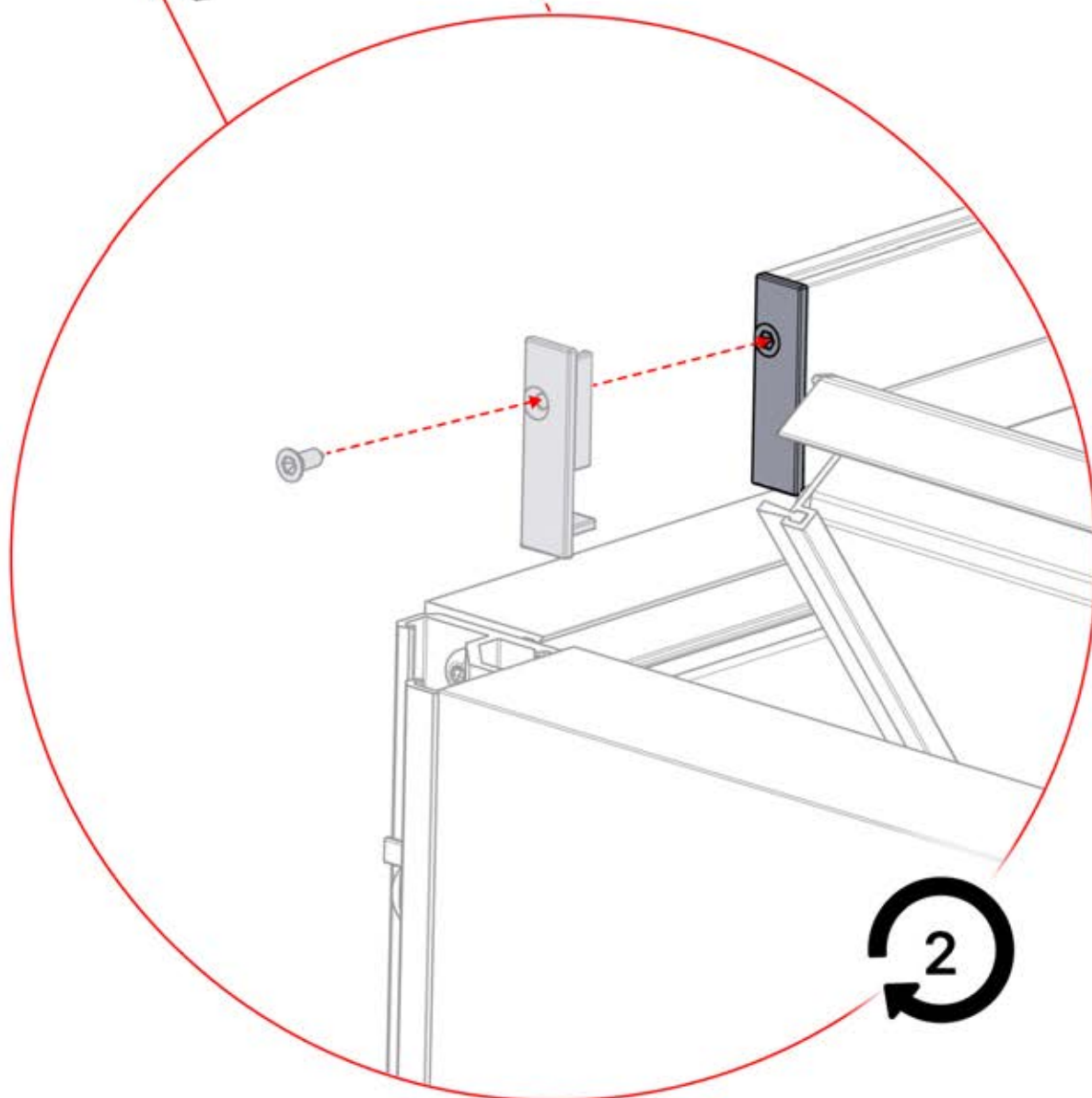
ANTHRACITE: B233
WHITE: B241
BLACK: B237



PN-200003030
1x

PN-200003031
1x

4.2x12
PN-200001207
1x

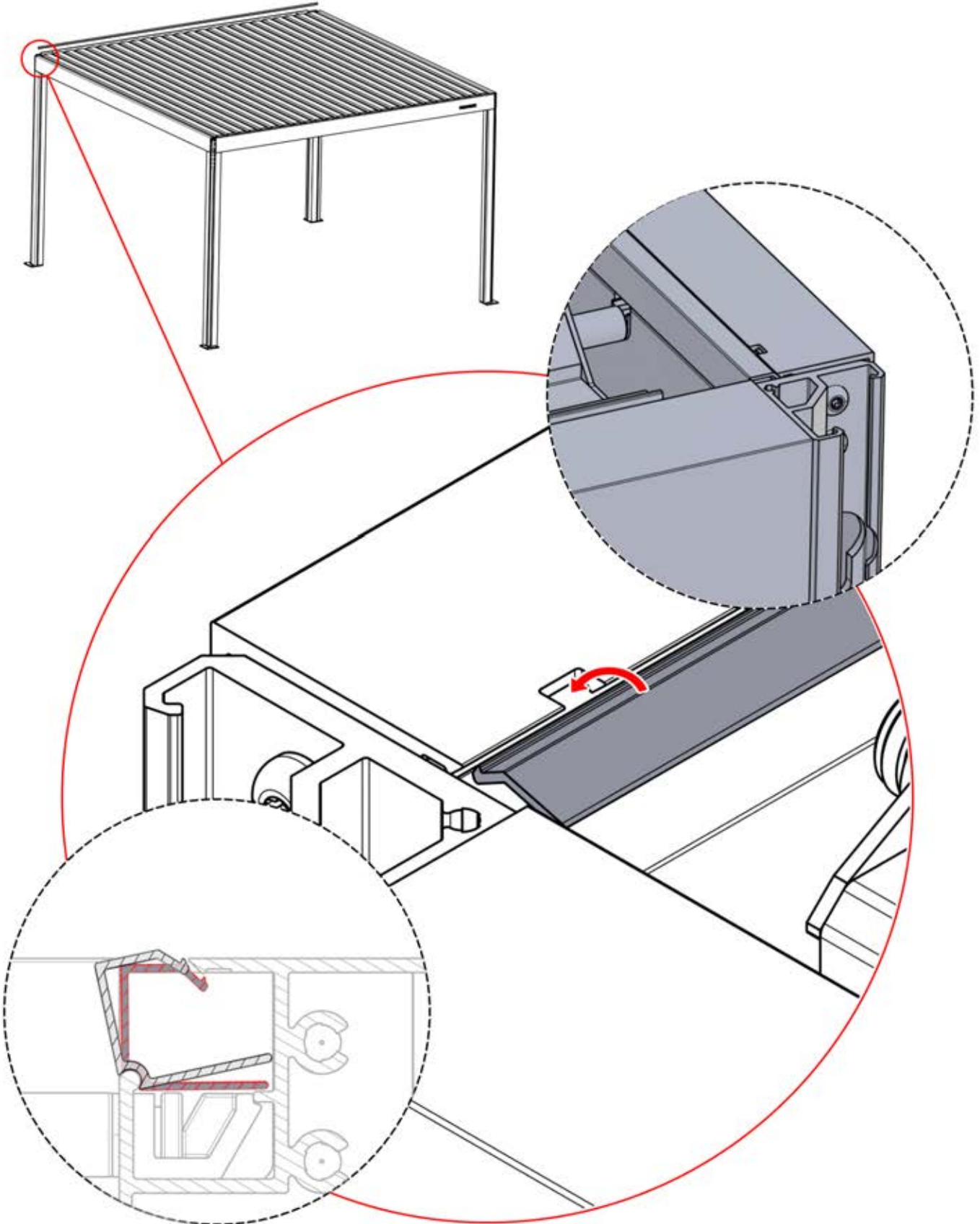
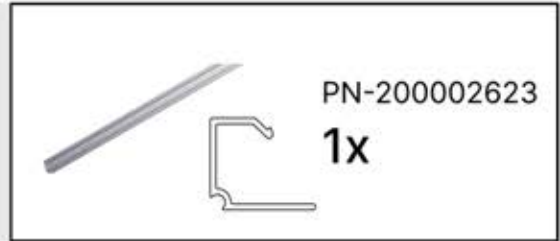


44



4

ANTHRACITE: B233
WHITE: B241
BLACK: B237



46


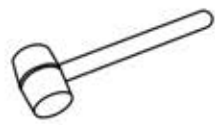

x2
FERGOLUX
FERGOLUX

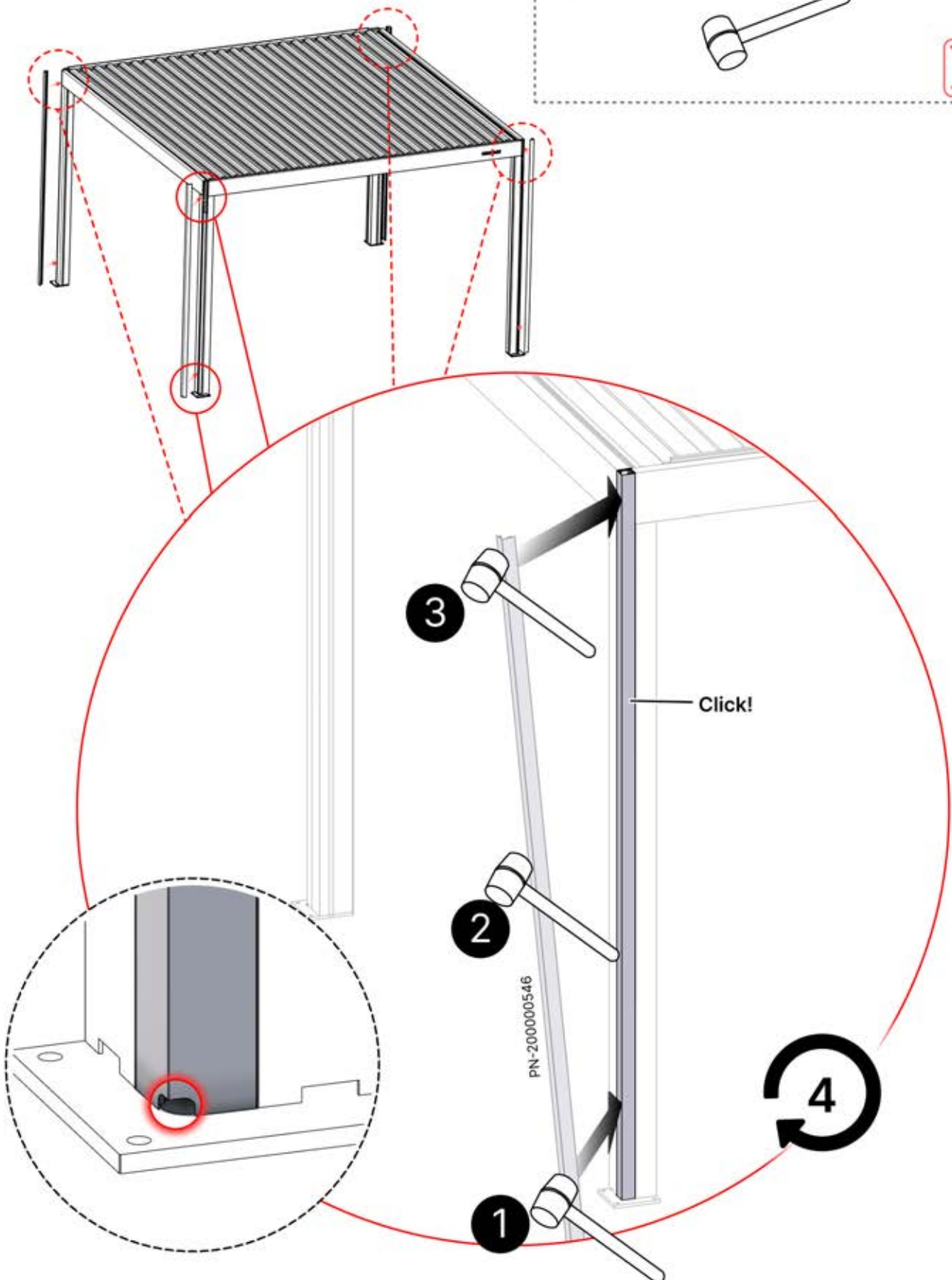
4

ANTHRACITE: C120
WHITE: C122
BLACK: C121

PN-200003386
2X



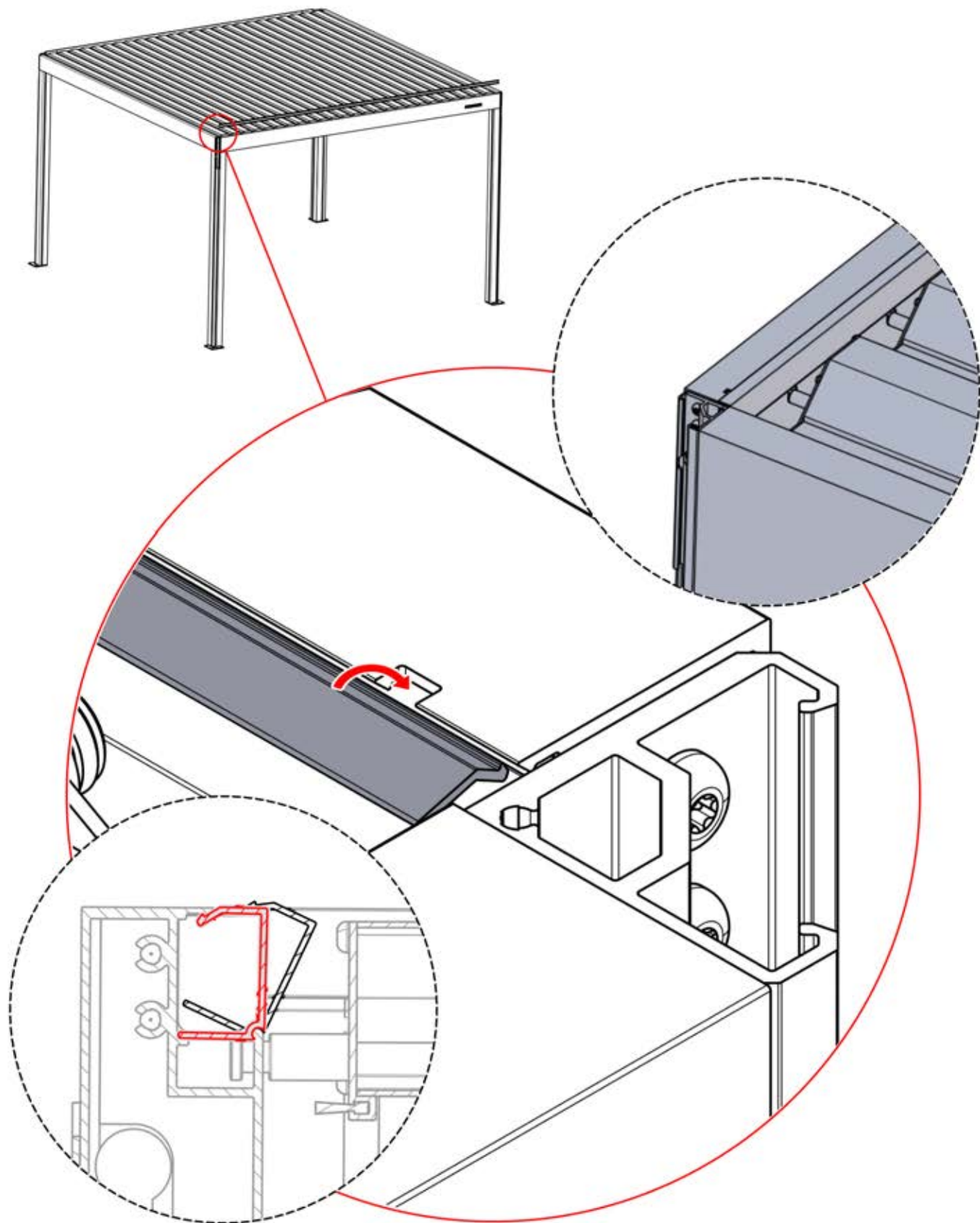
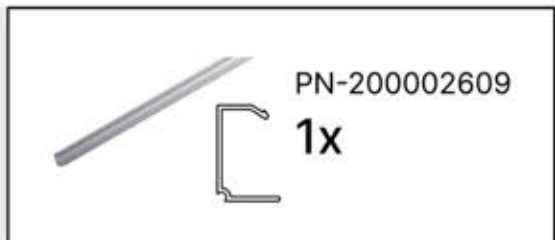


45



4

ANTHRACITE: B233
WHITE: B241
BLACK: B237

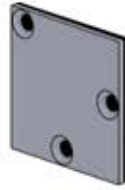


47



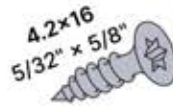
4

ANTHRACITE: B233
WHITE: B241
BLACK: B237



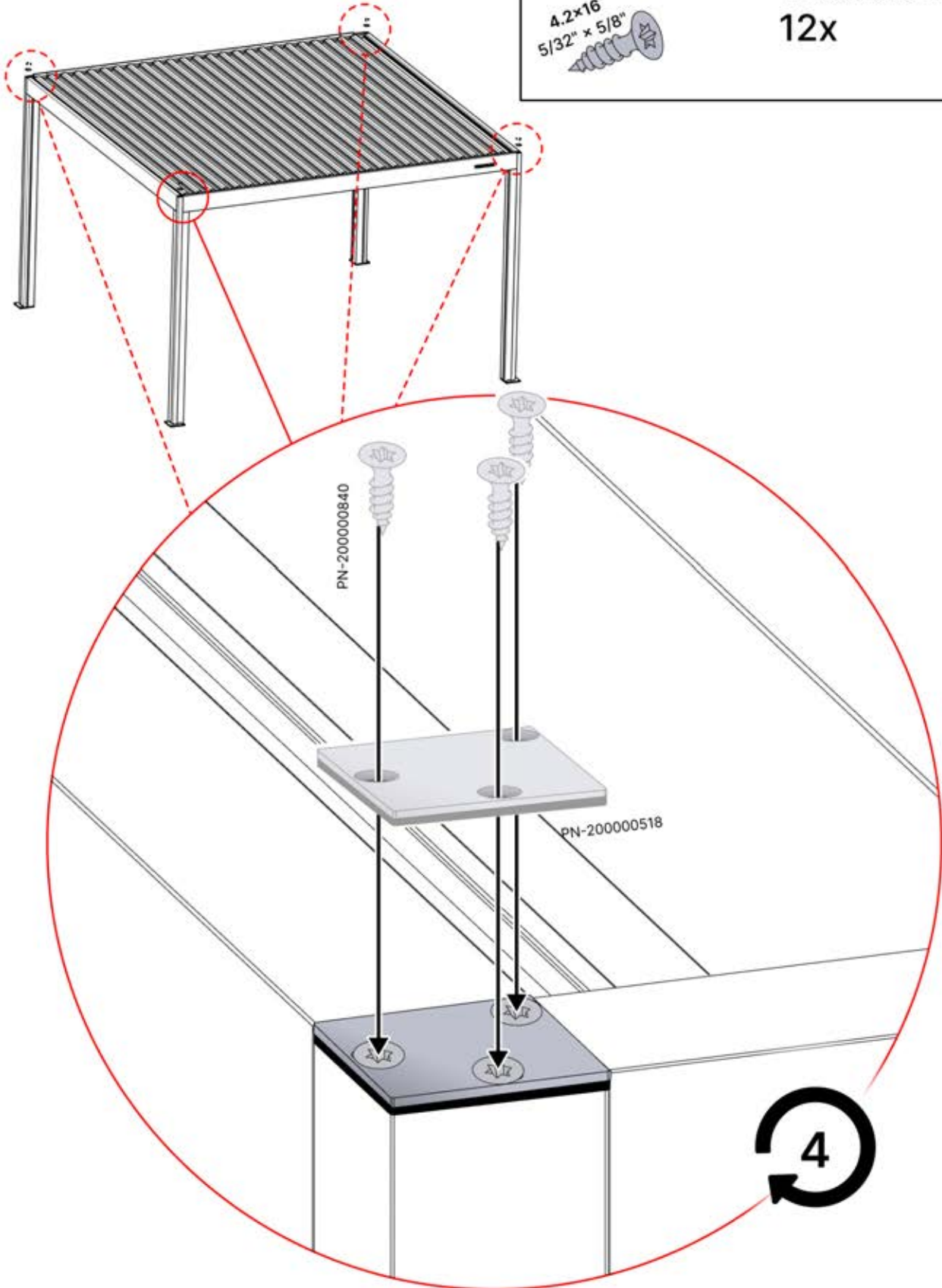
PN-200001514

4x

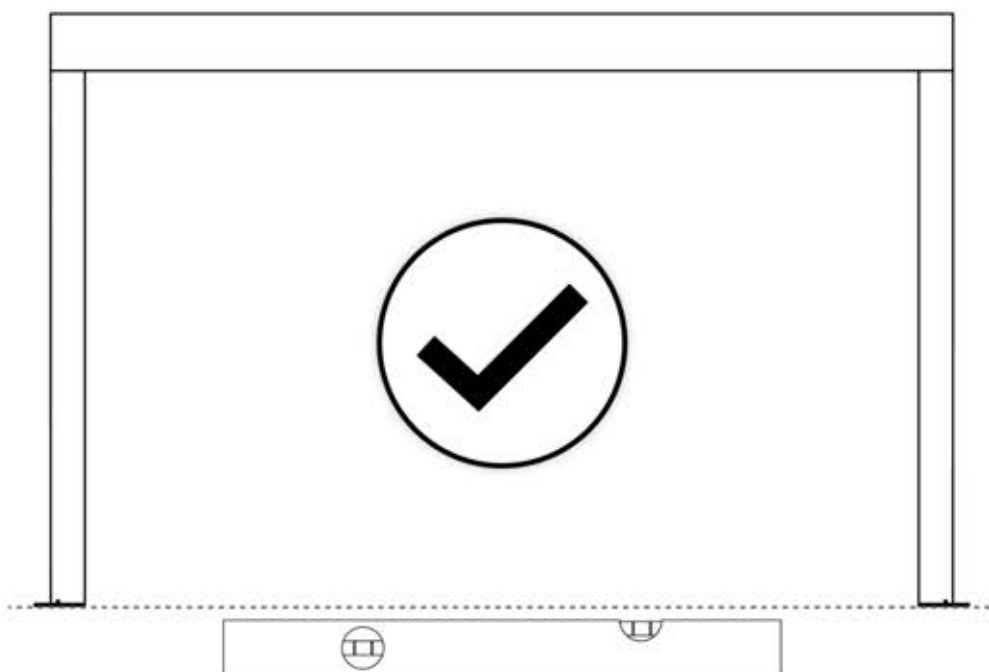
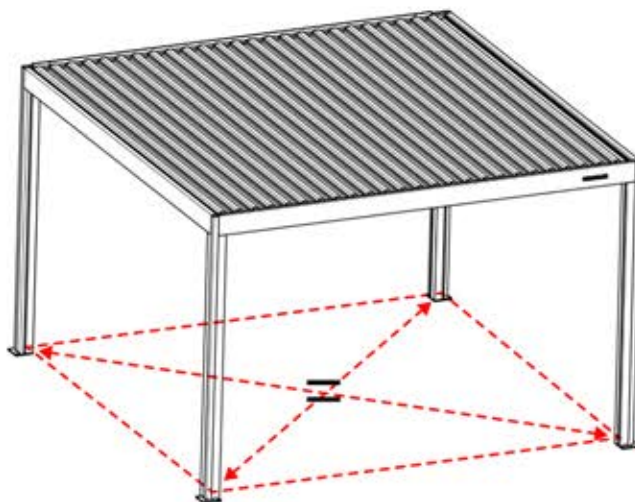
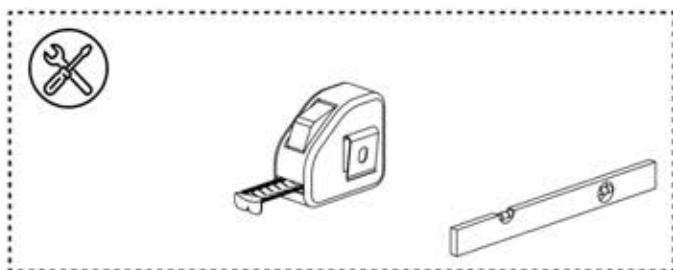


PN-200000840

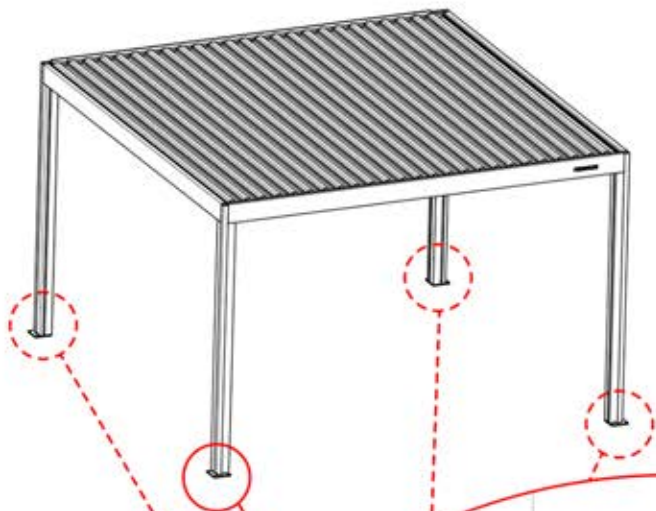
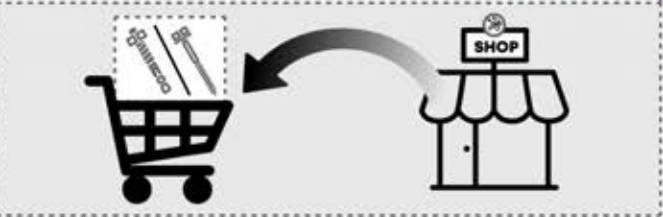
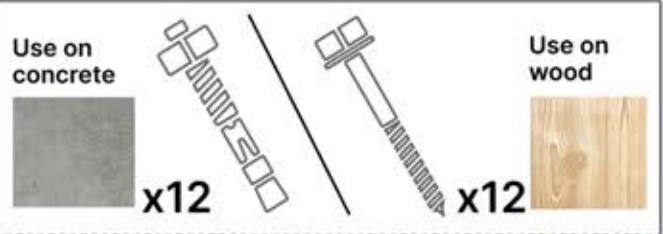
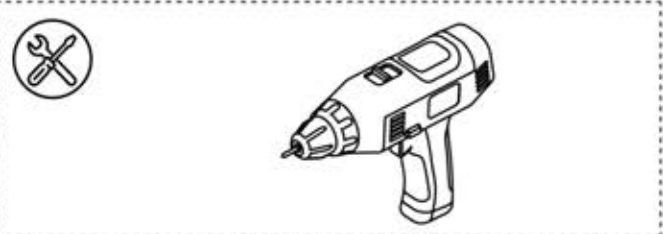
12x



48



49



PERGOLUX |

CUSTOM DESIGN **S4**

FREESTANDING

