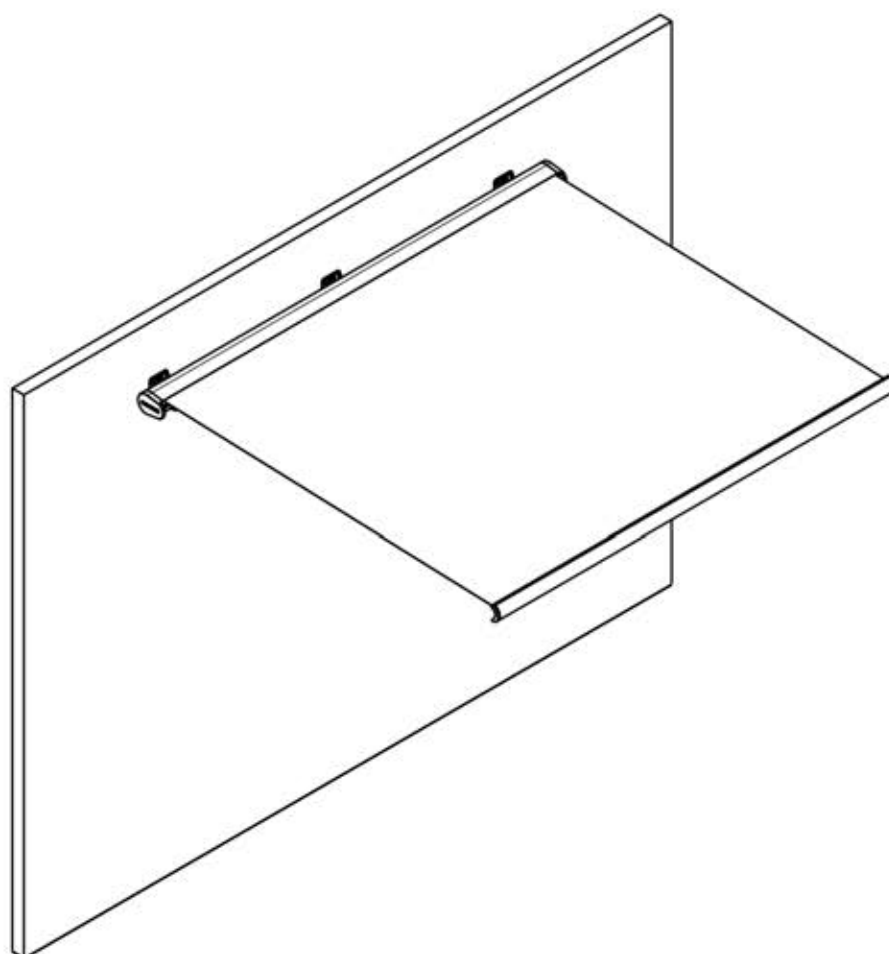


S4

# AWNING



---

PERGOLUX

---



Designed and  
developed  
in Norway



Type Approved  
Regular  
Production  
Surveillance

www.tuv.com  
ID 1111293124

# PERGOLUX | AWNING INFORMATION

## MOTORIZED CASSETTE AWNING | MOTORISIERTE KASSETTENMARKISE

### SAFETY WARNINGS

#### General

- Read this manual in full before installing or operating the awning.
- Use the product only as intended. Do not modify it in any way.
- Use only original replacement parts and manufacturer-approved accessories.
- Do not hang objects from the frame or folding arms.

#### Installation

- At least 2 people are required for installation; at least 3 for larger models. Consult a qualified installer if in doubt at any stage.
- Mount only on suitable, load-bearing surfaces using appropriate mounting hardware. PERGOLUX accepts no liability for damage caused by inadequate mounting surfaces or incorrect fixings.
- Fully tighten all supplied screws and fixings. Loose fasteners are a safety hazard.

#### Operation

- This awning is certified to Wind Resistance Class 2. Retract the awning in wind conditions exceeding this rating. Always retract in rain or frost, and when not in use.
- Do not use open flames or barbecues under or near the awning.
- The folding arms are under spring tension. Do not attempt to disassemble or repair the awning yourself.
- Do not operate the motor for more than 2 consecutive cycles. If overheat protection activates, wait 30 minutes.
- Do not use near heat sources or in locations subject to excessive vibration.

#### Children & Electrical Safety

- Keep children away from the awning and remote control. Not suitable for use by persons with reduced capabilities without supervision.
- Disconnect from the power supply before carrying out any cleaning or maintenance nearby.
- If the supply cord is damaged, have it replaced by the manufacturer or a qualified technician.
- Do not throw batteries into fire, short-circuit, or recharge. If battery acid leaks, rinse immediately with water.

#### Maintenance

- Inspect all fixings every 3 months for tightness and signs of wear or damage.
- Clean metal surfaces with a slightly damp cloth. Do not use solvents or abrasive cleaners.
- Do not retract the awning while the fabric is wet. Allow it to dry naturally before closing.

### SICHERHEITSHINWEISE

#### Allgemein

- Lesen Sie diese Anleitung vollständig, bevor Sie das Produkt installieren oder verwenden.
- Das Produkt ausschließlich bestimmungsgemäß verwenden. Keine Veränderungen vornehmen.
- Nur Original-Ersatzteile und vom Hersteller empfohlenes Zubehör verwenden.
- Nichts am Rahmen oder den Gelenkarmen aufhängen.

#### Montage

- Mindestens 2 Personen für die Montage einplanen; bei größeren Modellen mindestens 3 Personen. Bei Unsicherheiten einen qualifizierten Installateur hinzuziehen.
- Nur an geeigneten, tragfähigen Untergründen mit dem passenden Befestigungsmaterial montieren. PERGOLUX haftet nicht für Schäden durch ungeeignete Befestigungsflächen oder falsches Montagematerial.
- Alle mitgelieferten Schrauben und Befestigungsmittel vollständig anziehen. Lose Verbindungen sind ein Sicherheitsrisiko.

#### Betrieb

- Die Markise ist für Windwiderstandsklasse 2 zertifiziert. Bei Windstärken oberhalb dieser Klasse ist die Markise einzufahren. Bei Regen oder Frost stets einfahren, wenn die Markise nicht in Benutzung ist.
- Keine offenen Flammen oder Grills unter oder in der Nähe der Markise verwenden.
- Die Gelenkarme stehen unter Federspannung. Nicht versuchen, die Markise selbst zu zerlegen oder zu reparieren.
- Motor nicht mehr als 2 aufeinanderfolgende Zyklen betreiben. Bei aktiviertem Überhitzungsschutz 30 Minuten warten.
- Nicht in der Nähe von Wärmequellen oder an Orten mit starken Erschütterungen betreiben.

#### Kinder & Elektrosicherheit

- Kinder von der Markise und der Fernbedienung fernhalten. Nicht von Personen mit eingeschränkten Fähigkeiten ohne Aufsicht bedienen.
- Markise vom Stromnetz trennen, bevor Reinigungs- oder Wartungsarbeiten in der Nähe durchgeführt werden.
- Bei Beschädigung des Netzkabels dieses durch den Hersteller oder eine Fachkraft austauschen lassen.
- Batterien nicht ins Feuer werfen, kurzschließen oder aufladen. Auslaufende Batteriesäure sofort mit Wasser abspülen.

#### Wartung

- Befestigungen alle 3 Monate auf festen Sitz prüfen und auf Verschleiß oder Schäden kontrollieren.
- Metallflächen mit einem leicht feuchten Tuch reinigen. Keine Lösungsmittel oder Scheuermittel verwenden.
- Markisentuch nicht nass einrollen. Vor dem Einfahren natürlich trocknen lassen.

# SYMBOL EXPLANATION

---



Indicates the outside of the pergola structure.



This step may require extra force.



Indicates the inside of the pergola structure.



Key information to follow during installation.



Important! Be cautious when assembling or handling this part.



This item must be purchased separately.



Required tools for assembly.



Do not use a regular hammer, as it may cause damage.



Ensure grounding is connected before powering up.



AC Input



Align slats according to sunlight direction for optimal shading.



Motor



Repeat this step as many times as the number indicates



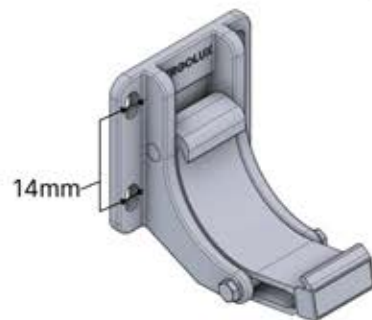
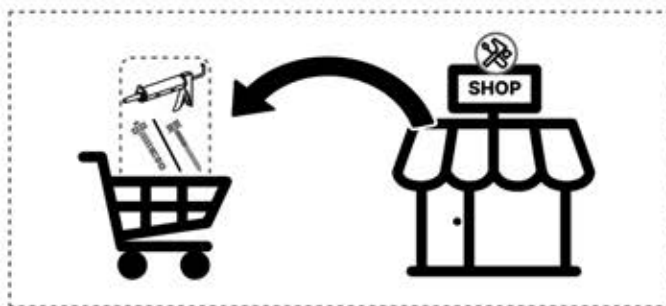
variable



Turn around

PERGOLUX | AWNING  
**INFORMATION**

Category	Wall Type	Recommended Fastener Type & Length
Wall	Concrete(Beton)	M12 × 160mm Expansion Bolt
Wall	Solid Brick(Vollziegel)	M12 × 160mm Threaded Rod + Chemical Resin
Wall	Sand-Lime Brick	M12 × 160mm Threaded Rod + Chemical Resin
Wall	Timber Structure	12 × 120mm Heavy-Duty Wood Screws
Wall	Steel Structure	M12 × 160mm Threaded Rod + Chemical Resin
Wall	Hollow Masonry	M12 × 160mm Threaded Rod + Resin + Sieve Sleeve
Wall	Aerated Concrete(Ytong)	Engineer review recommended
Wall	Natural Stone	Verify stone quality / first
Wall	Ext. Insulation(WDVS) on Concrete	M12 Distance Anchor (e.g., 12/110) + Resin

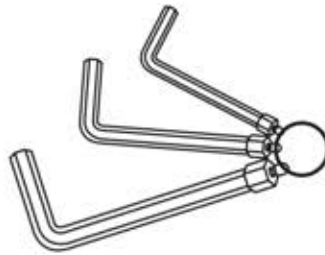


# TOOLS

---



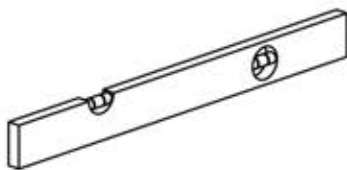
17mm



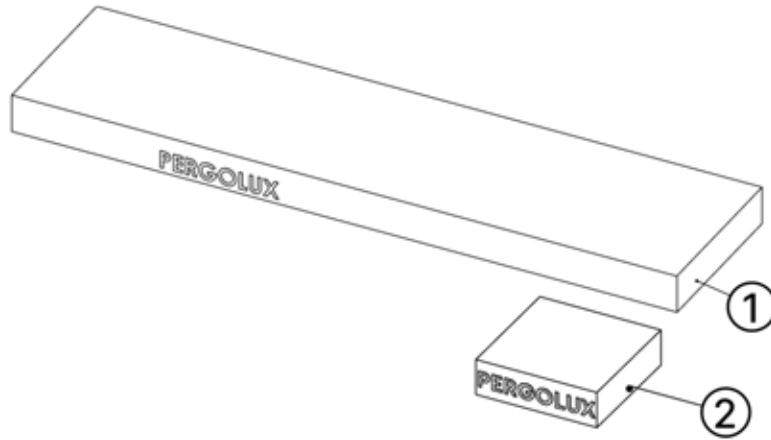
4mm, 6mm



X2



# PACKAGE OVERVIEW

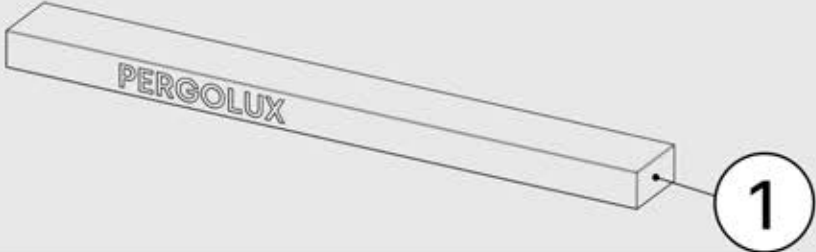


ORDER		ANTHRACITE		WHITE	
①	SIZE	BEIGE	GRAY	BEIGE	GRAY
	3.0X2.0	N001	N002	N017	N018
	3.0X2.5	N003	N004	N019	N020
	3.5X2.5	N005	N006	N021	N022
	3.5X3.0	N007	N008	N023	N024
	4.0X2.5	N009	N010	N025	N026
	4.0X3.0	N011	N012	N027	N028
	5.0X2.5	N013	N014	N029	N030
	5.0X3.0	N015	N016	N031	N032

ORDER		ANTHRACITE		WHITE	
②	NO OF BRACKETS	CEILING	WALLMOUNT	CEILING	WALLMOUNT
	2	R001	R005	R003	R007
	3	R002	R006	R004	R008


PERGOLUX | AWNING

# ITEM IN BOX



**1**

ANTHRACITE	WHITE
NOXX	NOXX



Awning  
PN-20000xxxx  
**1x**

Remote  
**1x**

Swing hand  
hook  
**1x**


Adjustable hex  
key  
**1x**

Sizes	PN Number
3.0 × 2.0	PN-200003804
3.0 × 2.5	PN-200003798
3.5 × 2.5	PN-200003799
3.5 × 3.0	PN-200003949
4.0 × 2.5	PN-200003800
4.0 × 3.0	PN-200003952
5.0 × 2.5	PN-200003802
5.0 × 3.0	PN-200003955




**2**

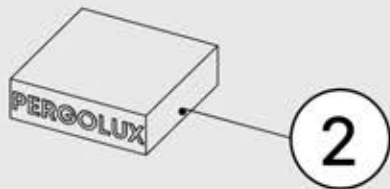
ANTHRACITE	WHITE
ROOX	ROOX



Wallmount bracket  
PN-200003809

Sizes	QTY 
3.0 × 2.0	2X
3.0 × 2.5	2X
3.5 × 2.5	2X
3.5 × 3.0	2X
4.0 × 2.5	2X
4.0 × 3.0	2X
5.0 × 2.5	3X
5.0 × 3.0	3X

PERGOLUX | AWNING  
ITEM IN BOX



ANTHRACITE    WHITE

R00X

R00X

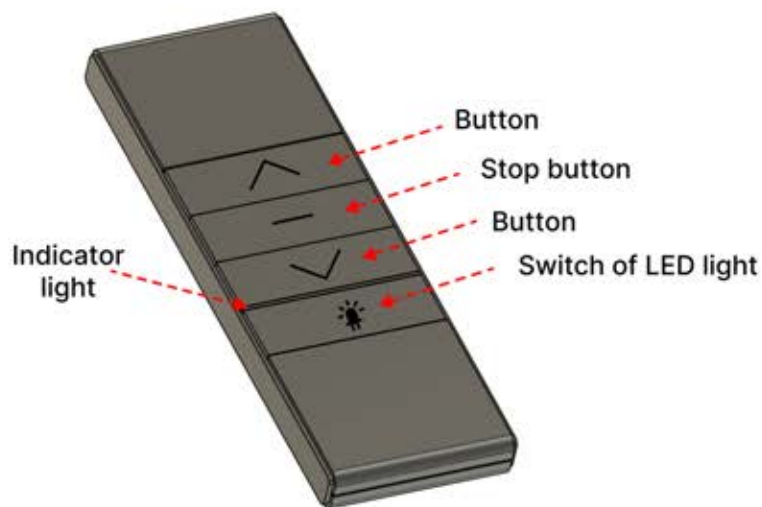
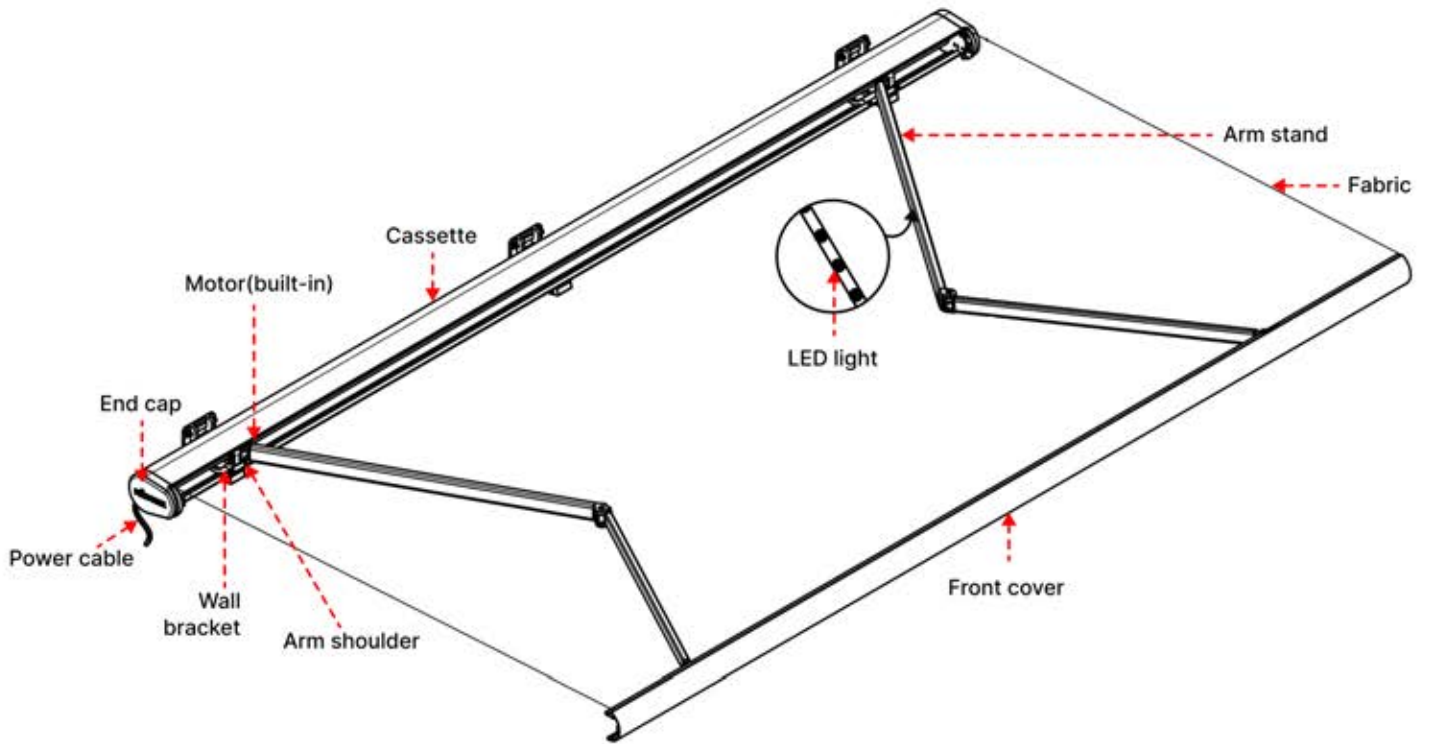


Ceiling Mounted  
Bracket  
PN-200003811



Sizes	QTY
3.0 × 2.0	2X
3.0 × 2.5	2X
3.5 × 2.5	2X
3.5 × 3.0	2X
4.0 × 2.5	2X
4.0 × 3.0	2X
5.0 × 2.5	3X
5.0 × 3.0	3X

# PRODUCT OVERVIEW

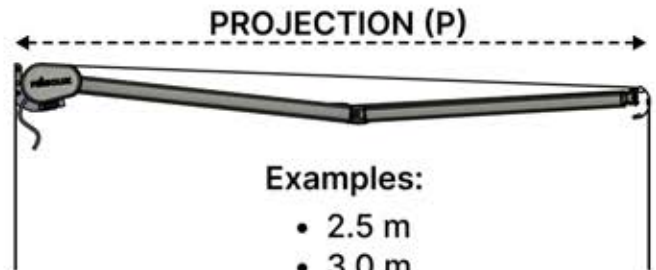


# 01

## What should be the Installation Height of Awning ?

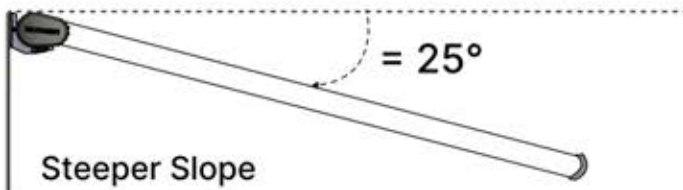
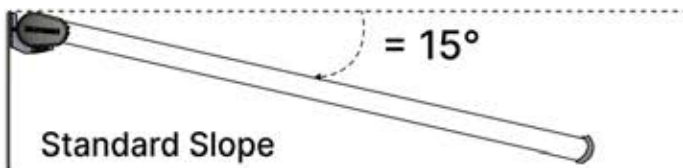
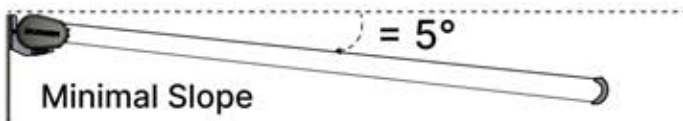
### 1. Your awning projection

How far your awning extends when fully open.



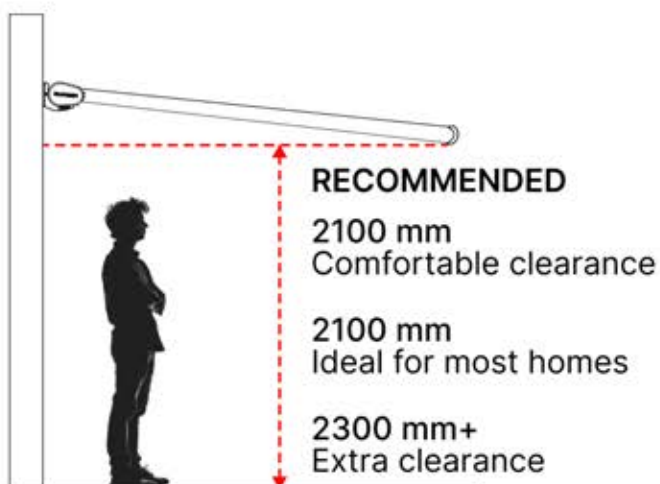
Examples:

- 2.5 m
- 3.0 m
- 3.5 m



### 2. Your preferred slope

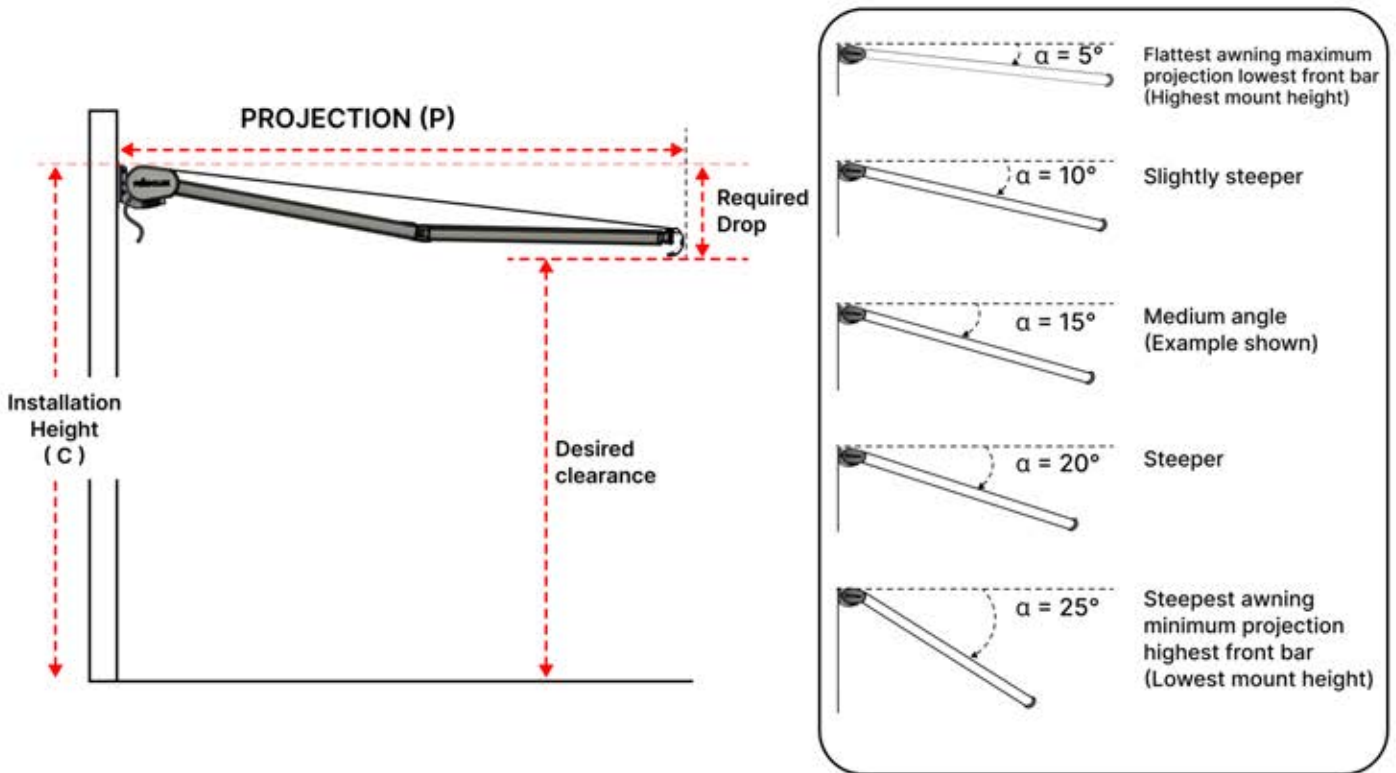
A steeper angle improves rain runoff.



### 3. Your desired clearance

How much space do you want underneath?

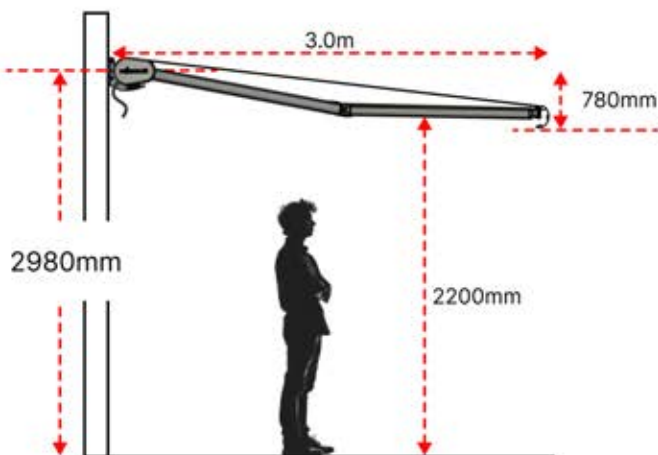
# 02 How to Calculate Installation Height of Awning ?



Projection (P)	Required Drop				
	MINIMAL SLOPE α = 5° Lowest angle (smallest drop)	SLIGHTLY STEEPER SLOPE α = 10° Balanced angle (recommended)	MEDIUM SLOPE α = 15° Balanced angle (recommended)	STEEPER SLOPE α = 20° Balanced angle (recommended)	STEEPER SLOPE α = 25° Best for rain runoff (largest drop)
2.5m	434mm	647mm	855mm	1057mm	1250mm
3.0m	521mm	776mm	1026mm	1268mm	1500mm
3.5m	608mm	906mm	1197mm	1479mm	1750mm

**Installation Height = Desired clearance + Required drop**

## Example



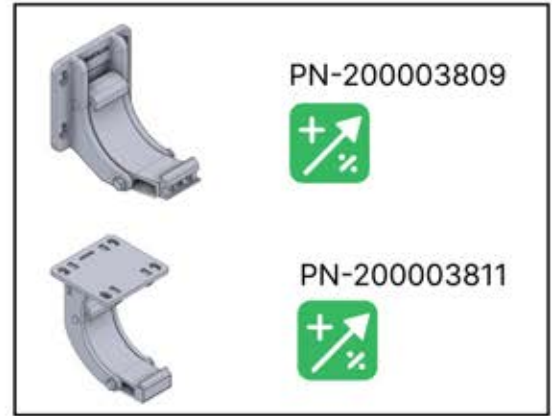
Desired clearance: 2200 mm  
 Projection: 3.0 m  
 Slope: Standard (15°)  
 Required drop: 1026 mm

**2200 mm + 1026 mm = 3226 mm**

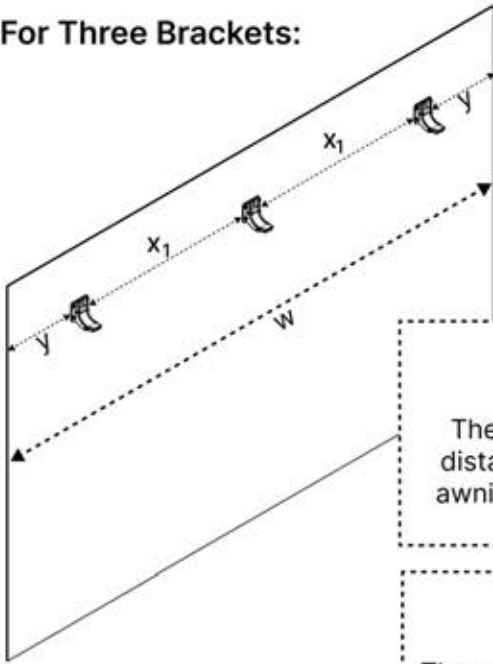
**!**  
 Installation Height is measured from the ground to the top of the wall bracket.

# 03

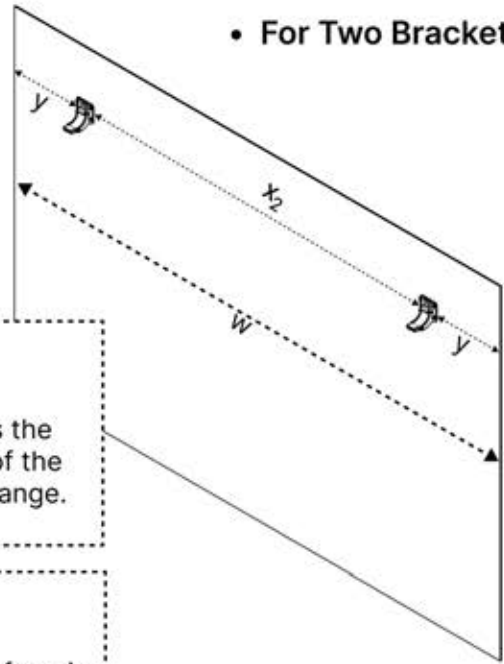
## Calculation of Drilling positions for Bracket Holes



• For Three Brackets:



• For Two Brackets:



**!**  
The value Y represents the distance from the end of the awning to the bracket flange.

**!**  
The recommended value for y is **350 mm**. If you plan to use an alternative value, please refer to the calculations in the next step.

For  $y = 350\text{mm}$

Sizes	w	$x_1$	$x_2$
3.0 × 2.0	2935mm	892.5mm	1935mm
3.0 × 2.5	2935mm	892.5mm	1935mm
3.5 × 2.5	3495mm	1172.5mm	2495mm
3.5 × 3.0	3495mm	1172.5mm	2495mm

Sizes	w	$x_1$	$x_2$
4.0 × 2.5	3935mm	1392.5mm	2935mm
4.0 × 3.0	3935mm	1392.5mm	2935mm
5.0 × 2.5	4935mm	1892.5mm	3935mm
5.0 × 3.0	4935mm	1892.5mm	3935mm

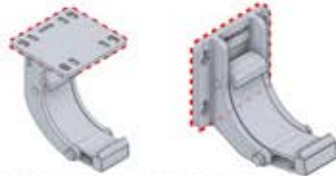
# 04

## Calculation of Drilling positions for Bracket Holes

Sizes	w	Sizes	w
3.0 × 2.0	2935mm	4.0 × 2.5	3935mm
3.0 × 2.5	2935mm	4.0 × 3.0	3935mm
3.5 × 2.5	3495mm	5.0 × 2.5	4935mm
3.5 × 3.0	3495mm	5.0 × 3.0	4935mm



Installation Height is measured from the ground to the top of the wall bracket.



PN-200003809



PN-200003811

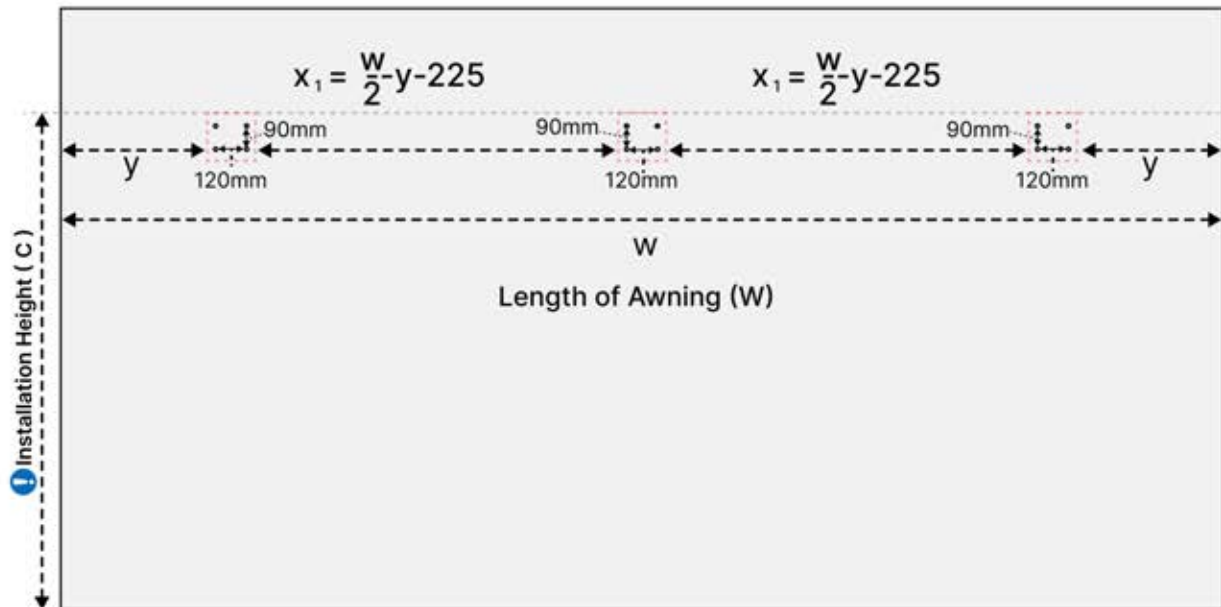


Range of y = 300mm-450mm

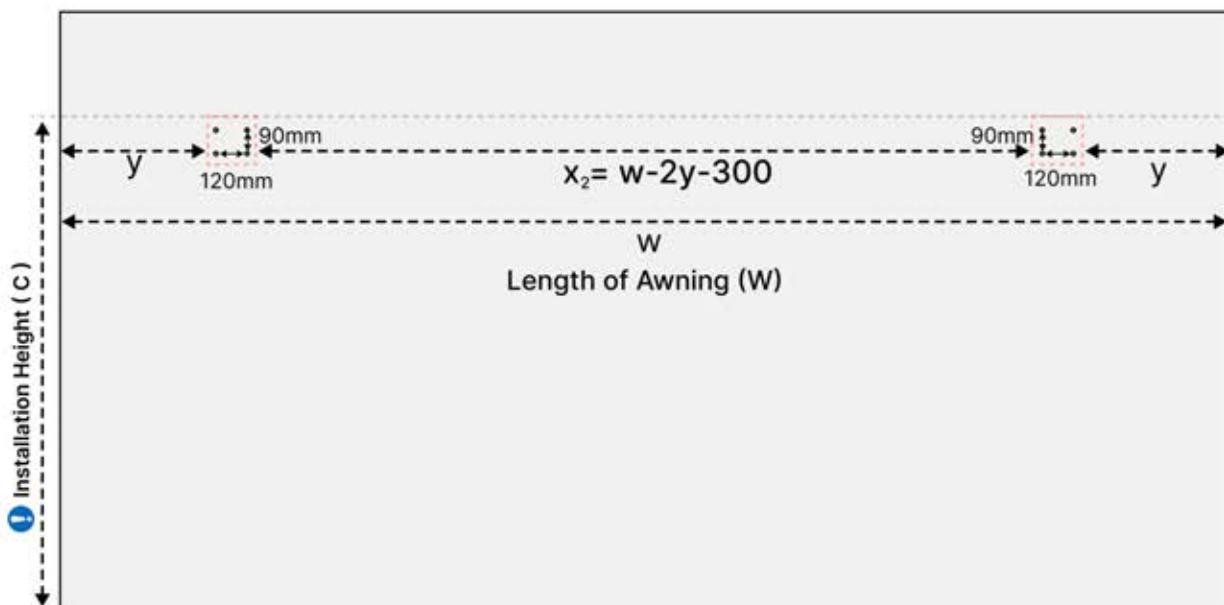


The red boundary indicates the flange of the bracket.

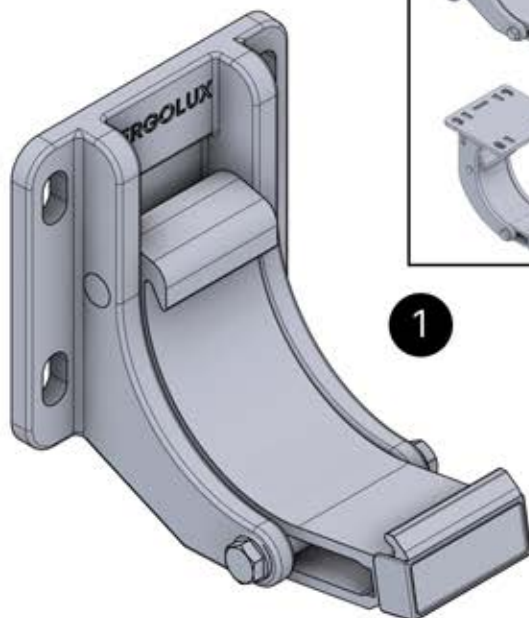
### • For Three Brackets:




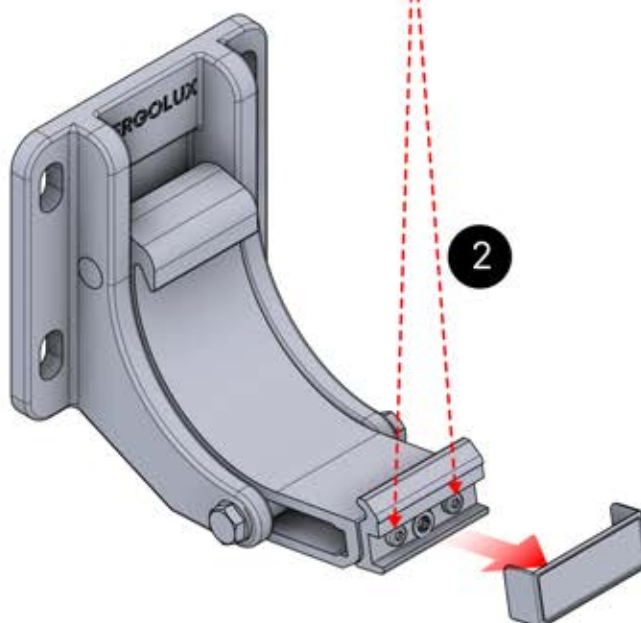
### • For Two Brackets:



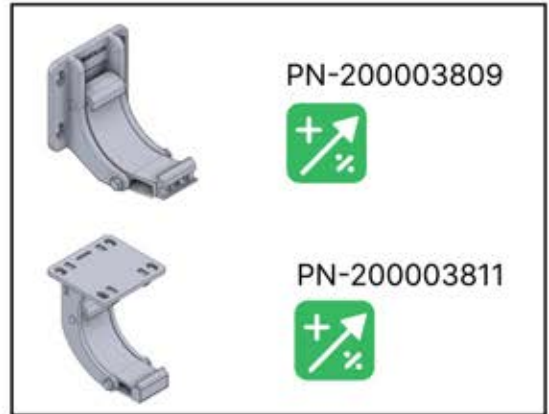
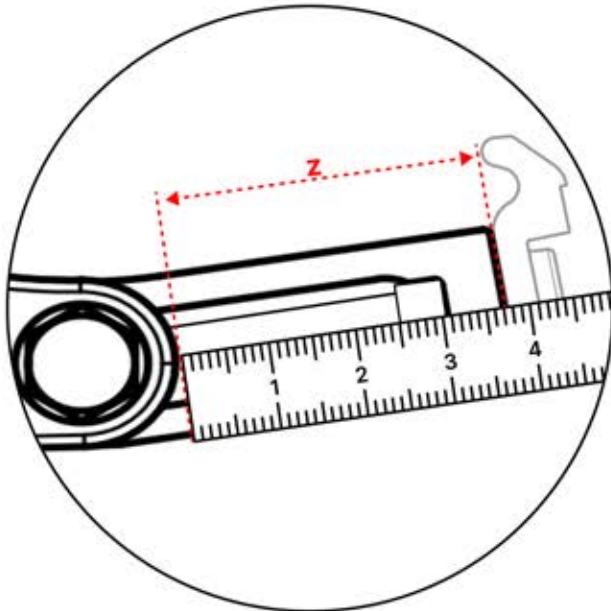
PERGOLUX | AWNING  
INFORMATION



  
Dont remove  
screws, just loose it

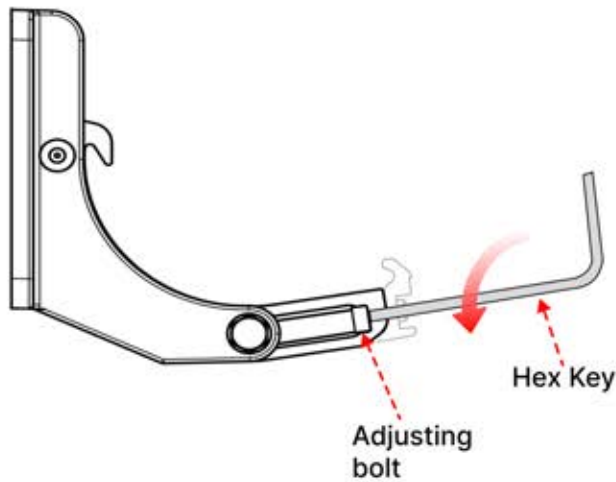


# 05 Adjust the Bracket length before installing it to wall

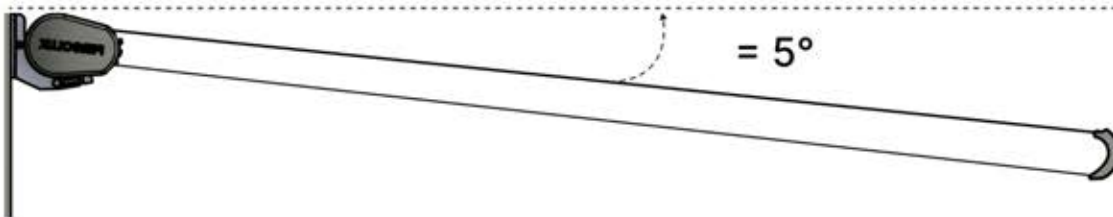


**!**  
**Z** = distance from bracket reference surface to end of adjusting bolt.

**!**  
 $\alpha$  = The angle you have chosen on Step 2 for calculation of installation height.

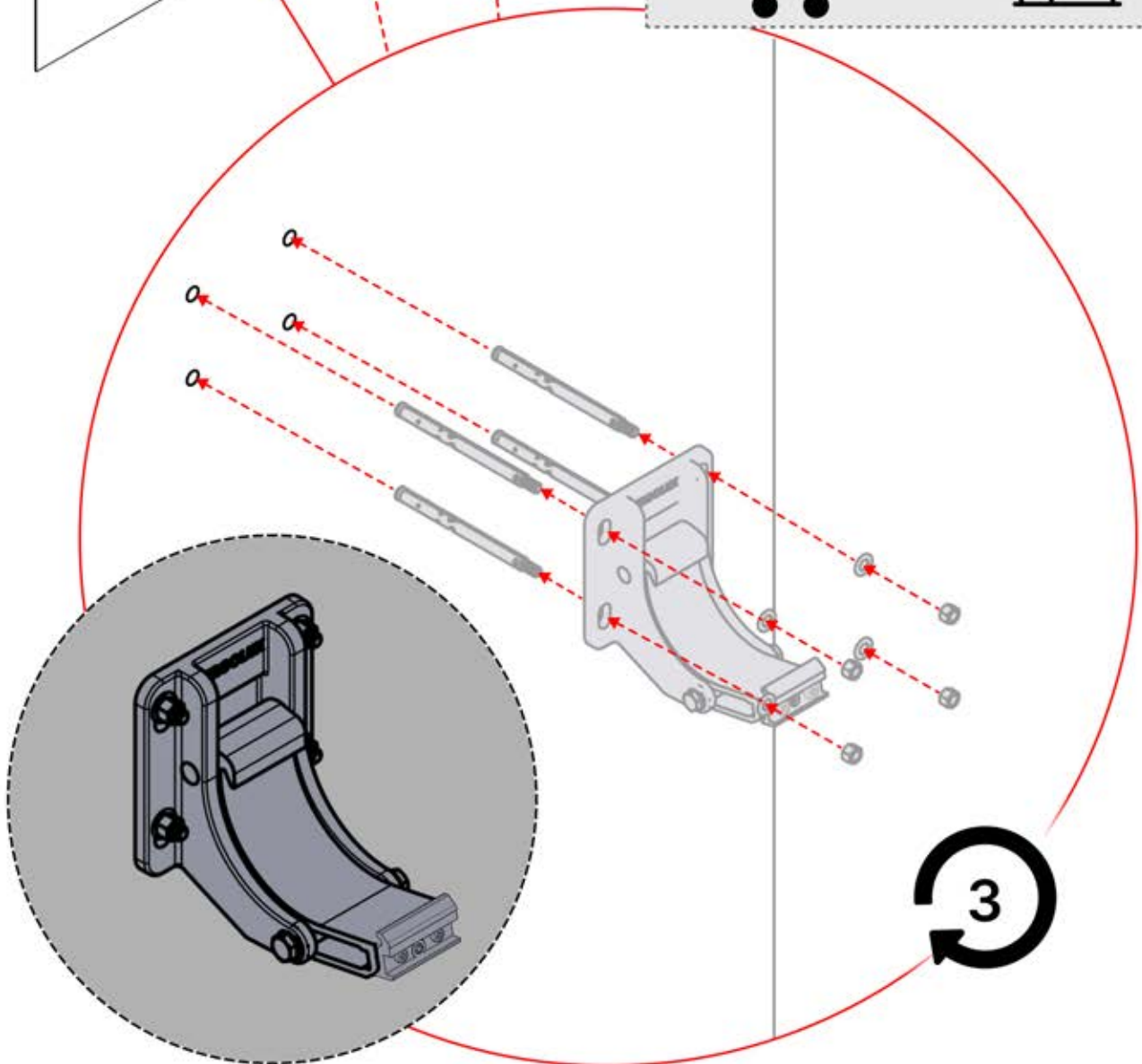
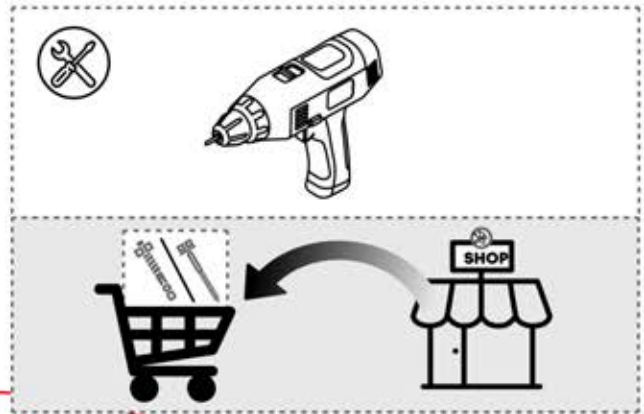
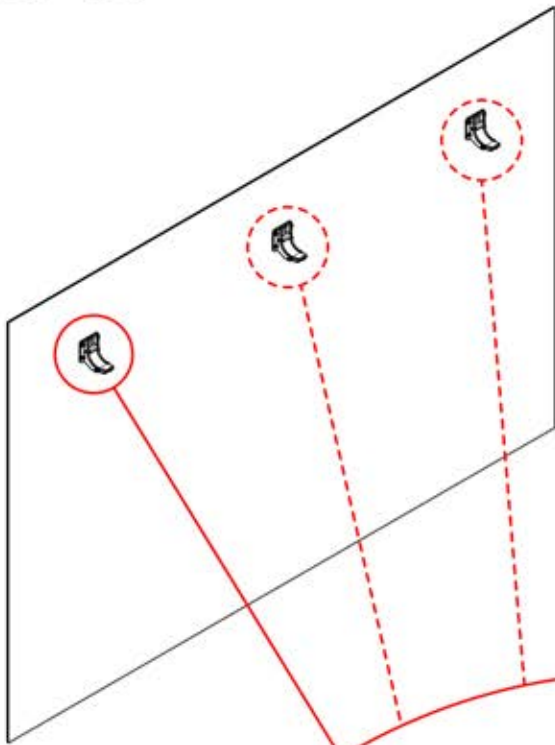
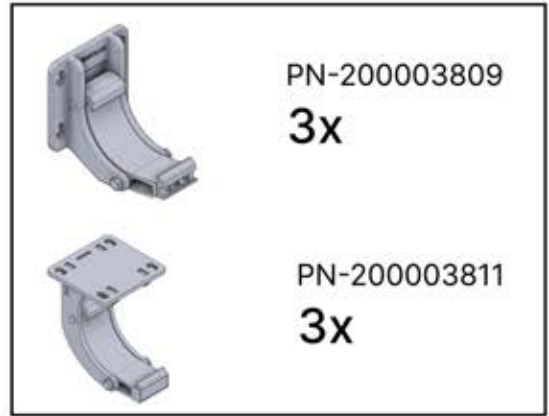


$\alpha^\circ$ (Angle)	<b>Z</b>
25°	0.5 cm
20°	1.6 cm
15°	2.75 cm
10°	3.9 cm
5°	4.5 cm



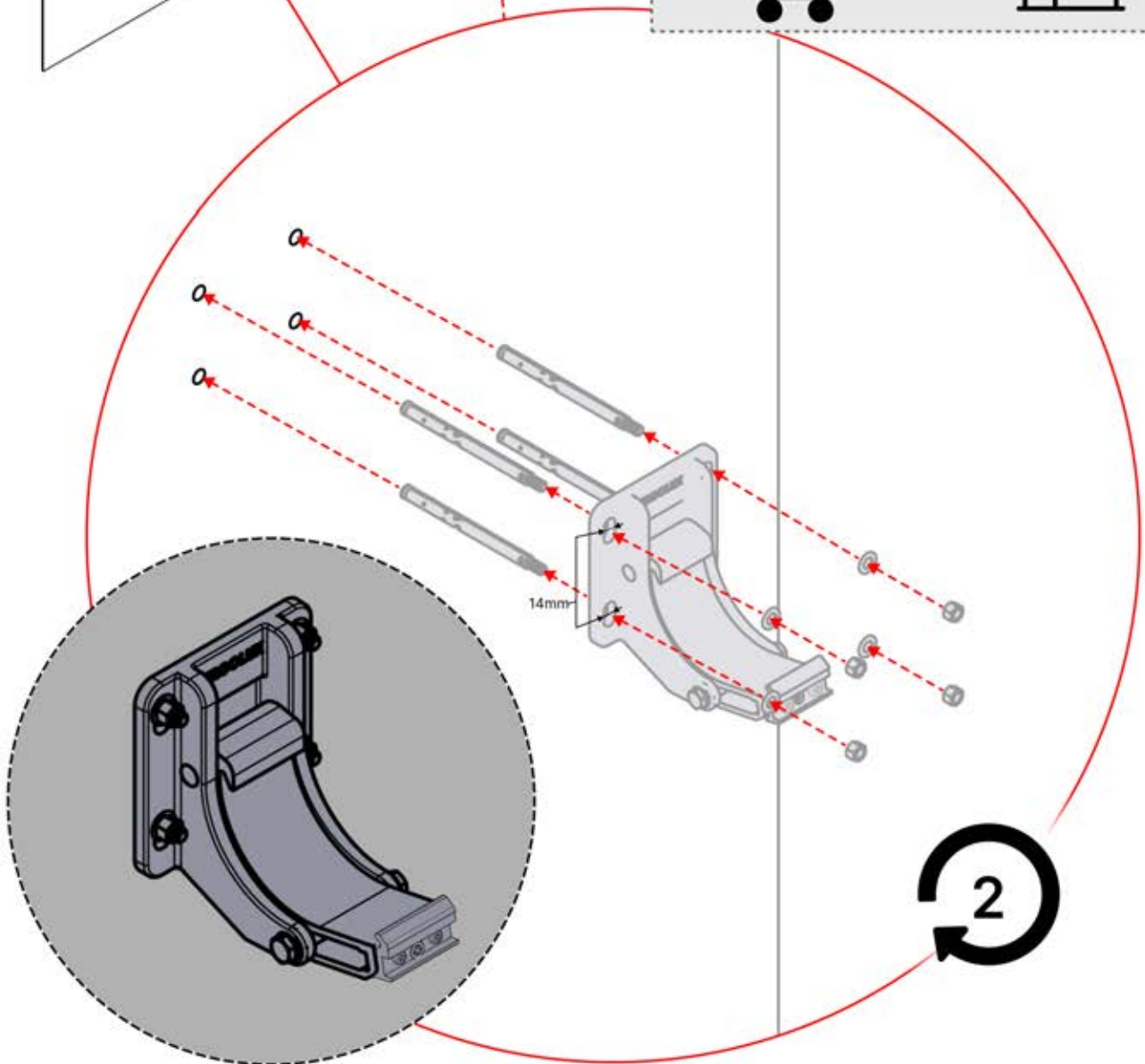
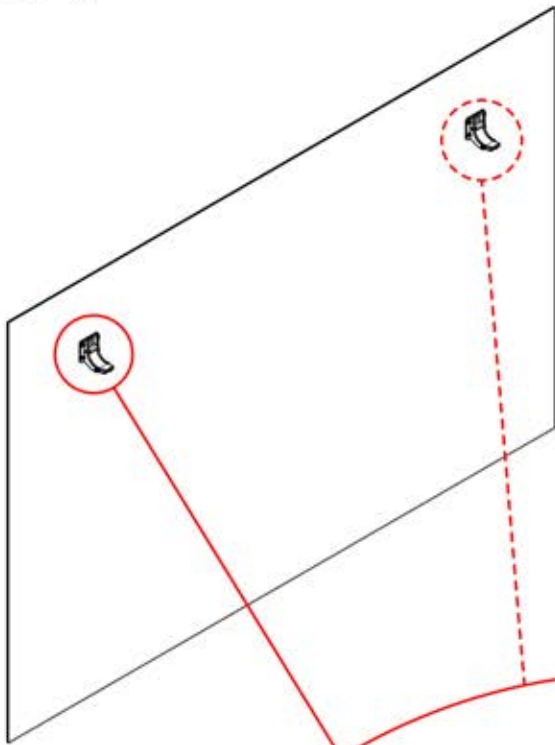
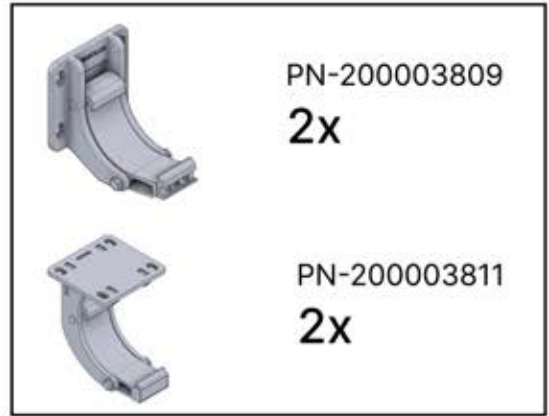
# 06

## Awning Assembly with three brackets

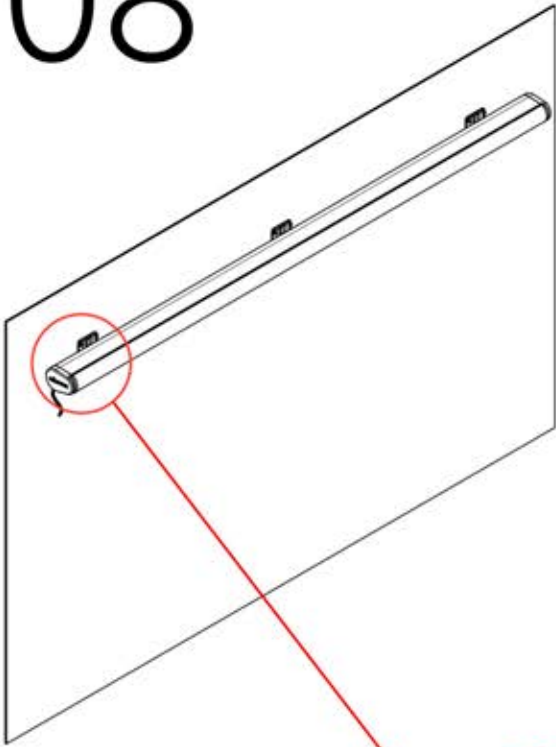


# 07

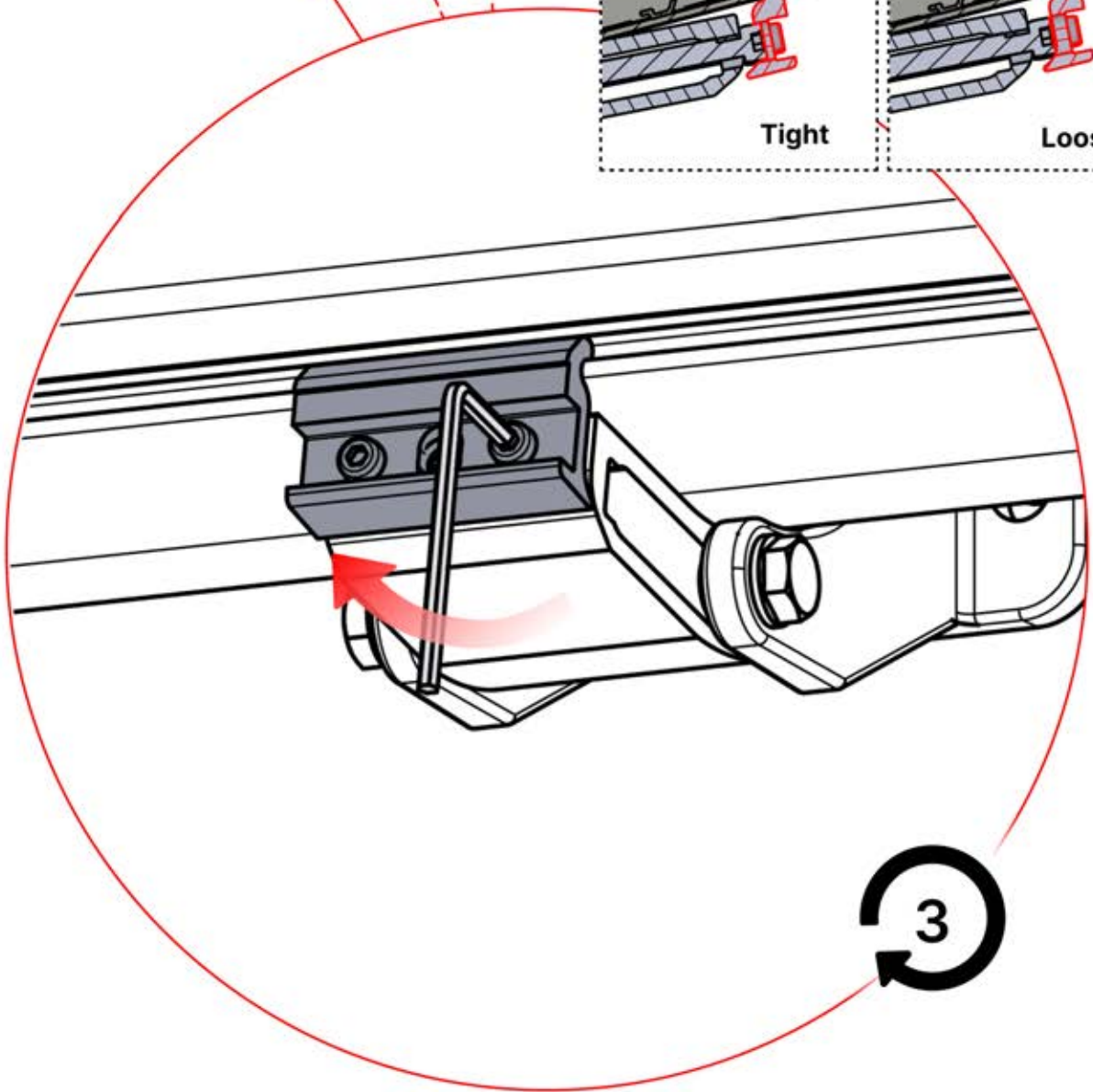
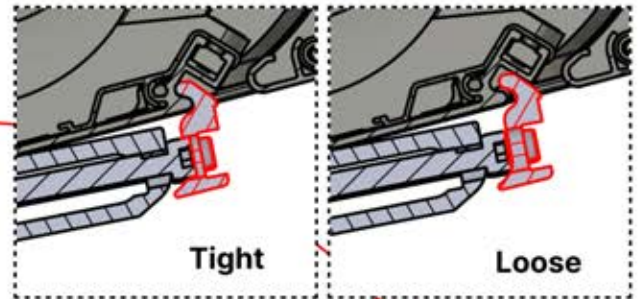
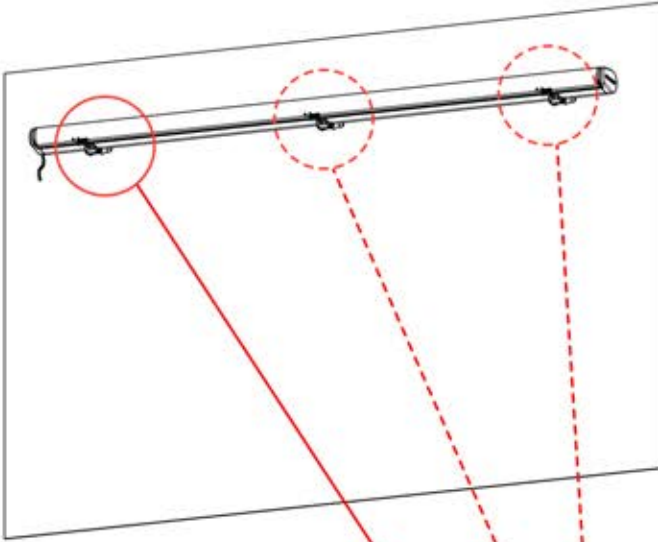
## Awning Assembly with two Brackets



08



# 09







# OPERATION INSTRUCTIONS

## Remote control

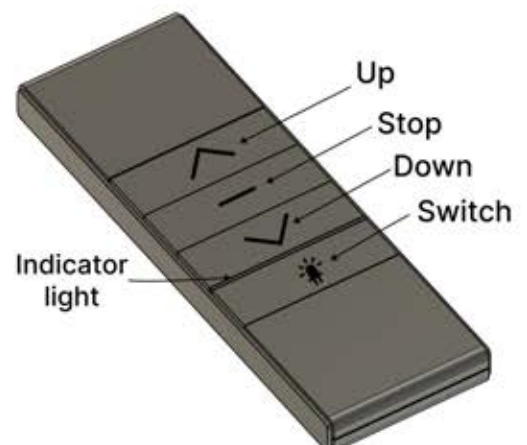
The awning motor features an integrated radio receiver and is operated using the included remote control transmitter. This remote has an effective operating range of up to 200 meters in an open, unobstructed space, or up to 30 meters when transmitting through up to two walls.

- Locate a suitable indoor location to mount the remote control holder. Before drilling, use a stud finder or wire detector to ensure you do not accidentally damage hidden electrical cables or water pipes. Drill two holes at your chosen spot.

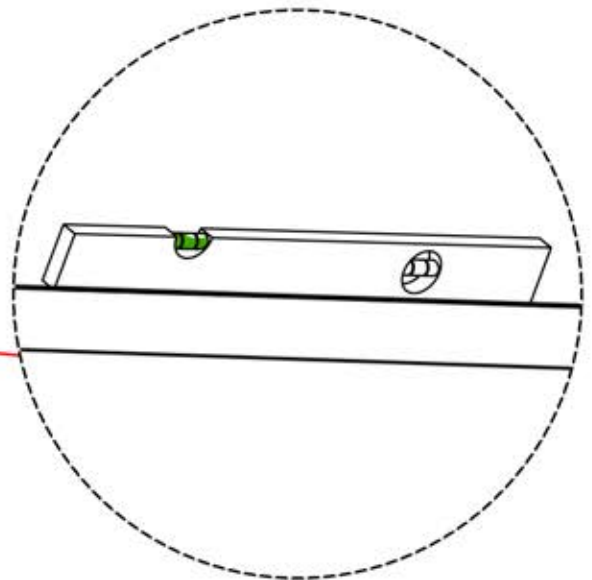
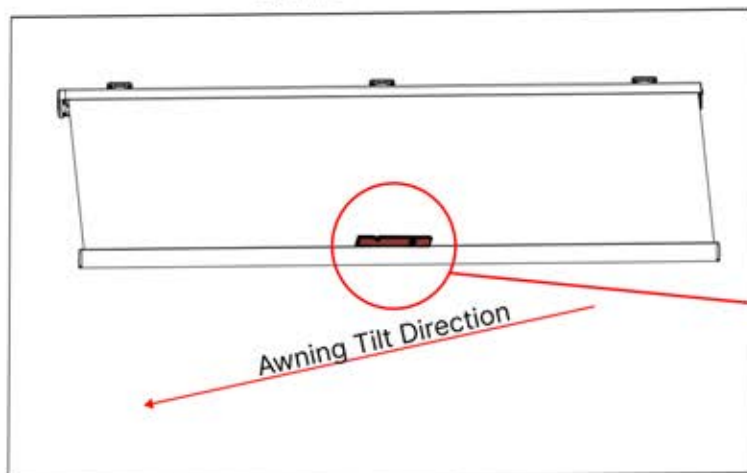
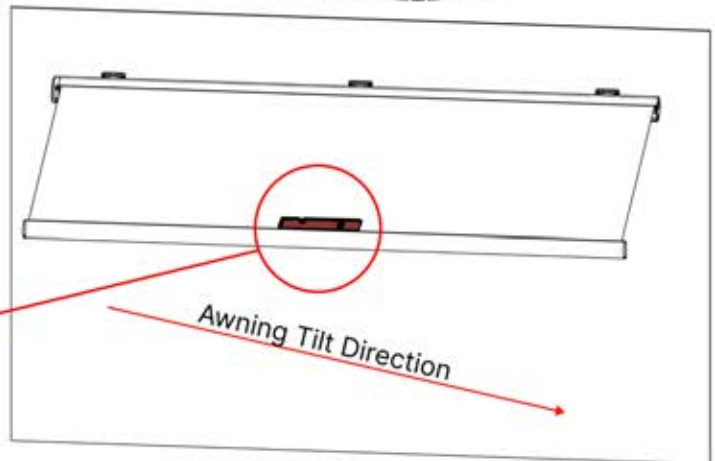
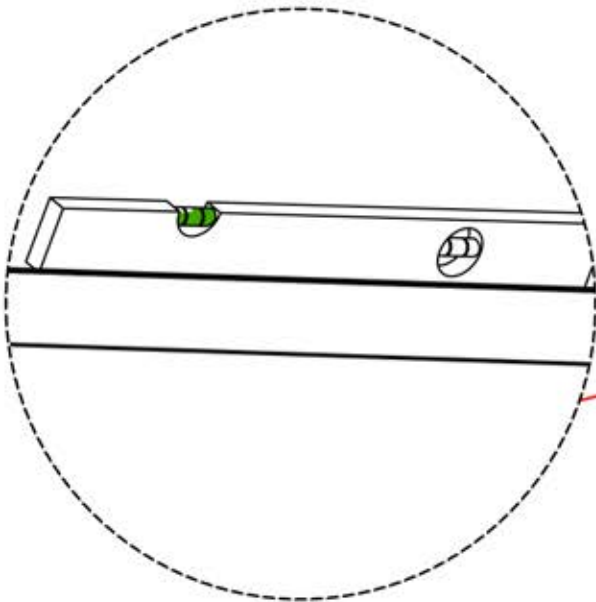
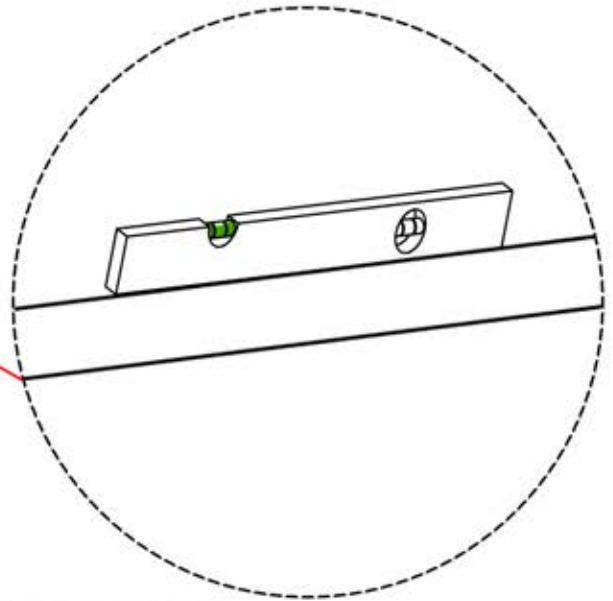
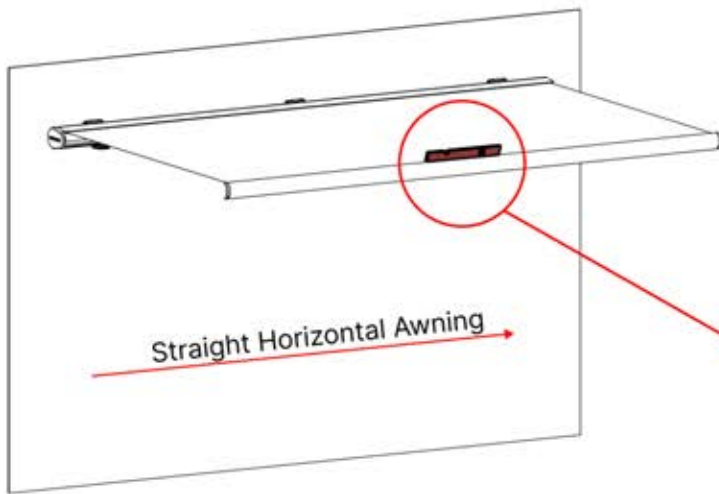
Insert the two plastic wall anchors into the drilled holes. Line up the remote control base over the anchors, insert the two mounting screws, and tighten them securely to fix the base to the wall.

Press button	Function
 Up	Retract / close the awning
 Stop	Stop opening / Closing process
 Down	Extract / open the awning
 Switch	Turn on or turn off the LED light

The indicator light on the remote control will flash whenever a button is pressed to confirm it is sending a signal. In the event of a power outage, you can comfortably open or close the awning using the manual hand crank instead.



PERGOLUX | AWNING  
INFORMATION

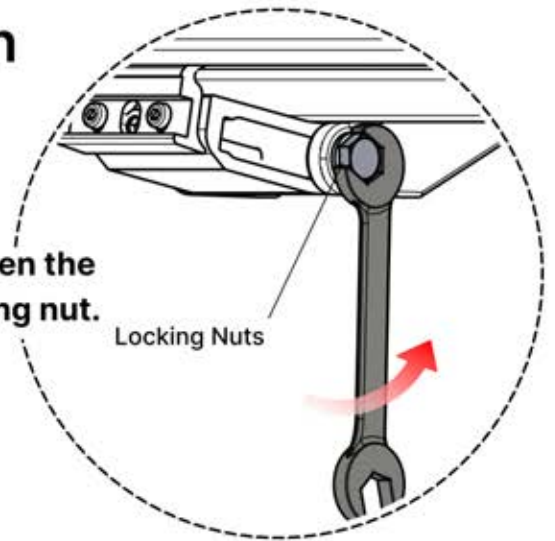


Refer to **Step 9** to adjust the awning according to its current tilt direction.

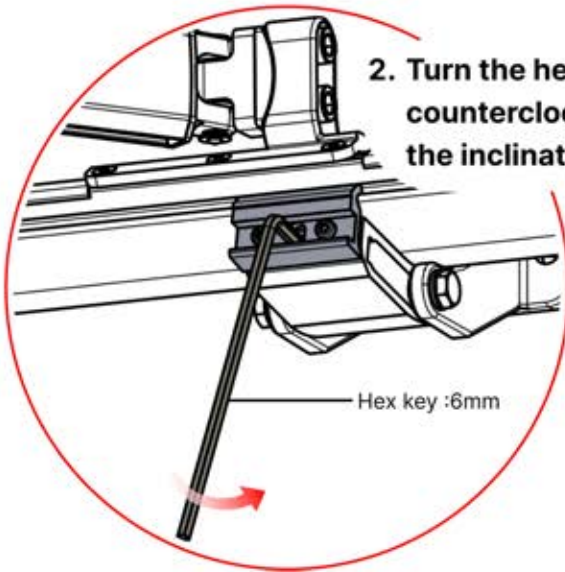
# 10

## Awning Tilt Direction Adjustment

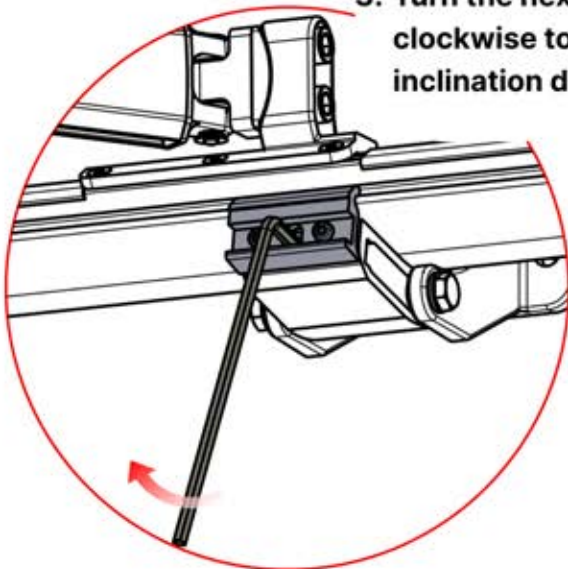
1. Loosen the locking nut.



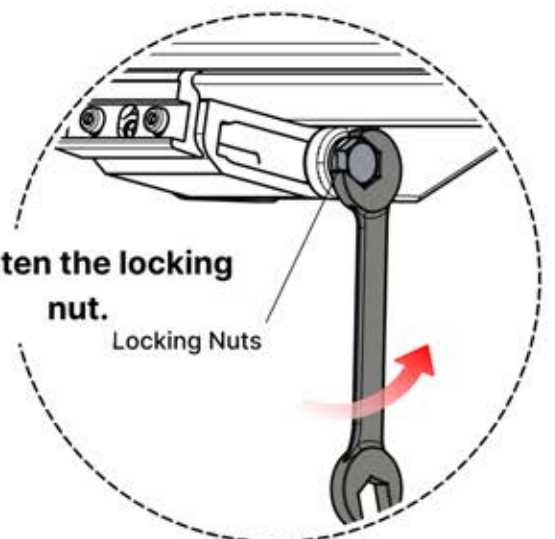
2. Turn the hex key counterclockwise to raise the inclination upward.



3. Turn the hex key clockwise to lower the inclination downward.



4. Tighten the locking nut.



5. Adjust the inclination of the remaining wall brackets.

6. Fine tune the pitch of individual bracket and adjust the level of the front cover.

# TRAVEL LIMIT SETTING

## Setting of travel limit for the sun shade

**Adjustment Step:** Use the adjustment tool to turn the white knob. Test the adjustment by pressing the Up button on your remote control to see if the front bar closes fully.

**▲ WARNING:**

- **Pre-programmed Settings:** All electrical components and motor limits have already been configured at the factory. The final user does not need to adjust the motor under normal circumstances.
- **Adjust One Side at a Time:** Only adjust the limit for one direction at a time. Never turn or adjust both knobs simultaneously.
- **Handle with Care:** Do not turn the adjustment knobs forcefully. After every half-turn of a knob, test the movement with the remote control to check the progress and see if the setting meets your satisfaction.

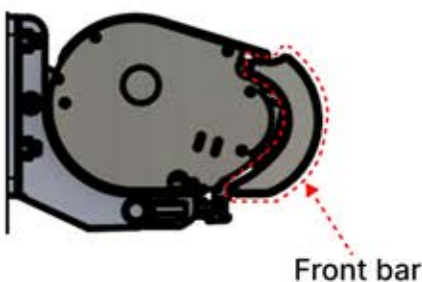
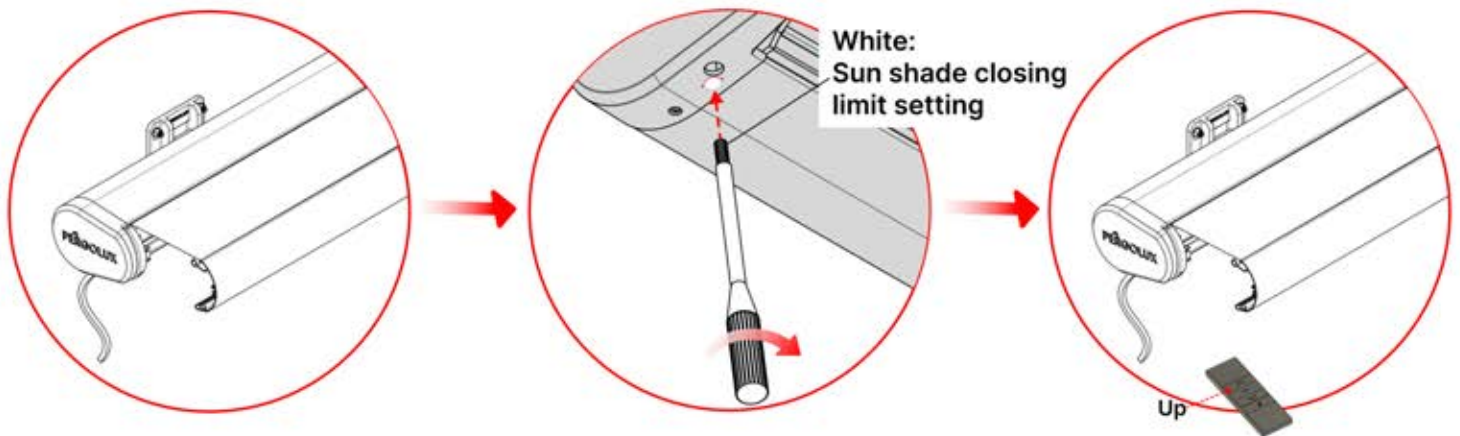
**Adjustment Step:** If the fabric looks loose or uneven after opening, turn the red knob to tighten the extension limit.

**Testing:** Retract the awning slightly using the Up button, and then fully extend it again using the Down button on your remote control to ensure the fabric remains smooth and taut.

### When to Reset the Motor Limits

The motor limits should only be reset if one of the following two situations occurs:

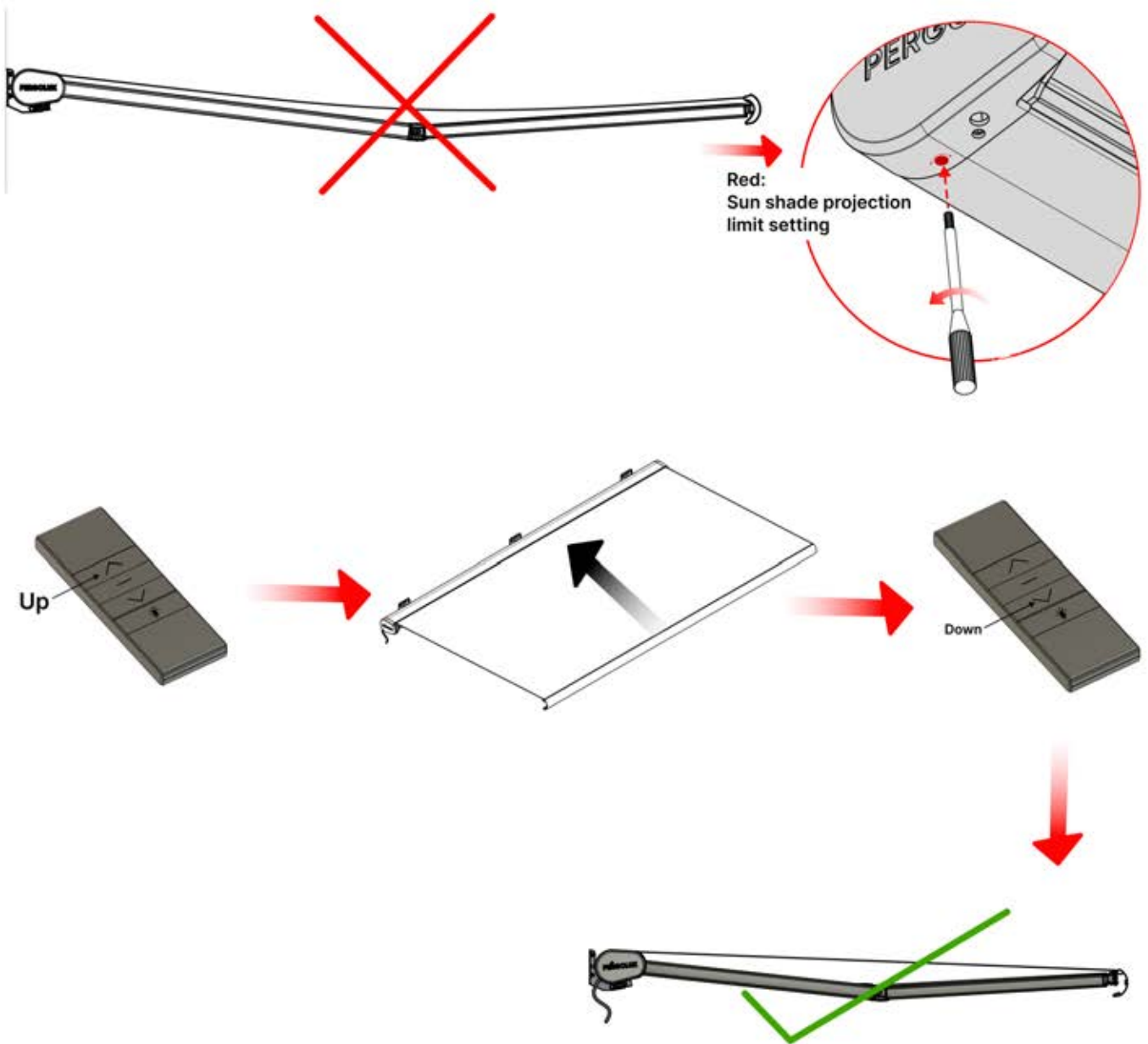
### Situation 1: The front bar does not retract or fold completely.



**▲ Crucial Warning:** Once the front bar touches the end cap (as illustrated in the side-profile diagram), do not force it to bring it any closer. Forcing it beyond this point may damage the product.

# TRAVEL LIMIT SETTING

Situation 2: The fabric is sagging or not smooth when the awning is open.



# AWNING TROUBLESHOOTING

---

## 1. What should I do if the awning does not respond?

### Answer:

- **Check the Power Supply:** If the awning does not react when you press the remote control or wall switch, first check the switch box and all electrical cable connections to ensure the unit is receiving power.
- **Thermal Overheat Protection:** If the motor shuts down after rolling the awning in and out multiple times in a row, the built-in thermal protection loop may have been activated to prevent overheating. Please stop using the controls immediately and wait 30 minutes for the motor to cool down before trying again.
- **Persistent Issues:** If the awning suddenly stops working after a period of normal use, it is likely the thermal protection has tripped again. Wait 30 minutes. If it still does not respond after this cooling period, double-check all cable and wire connections for loose components.

## 2. What if the front bar of the awning is not level when the fabric is fully stretched?

### Answer:

First, ensure that the wall mounting brackets are positioned close enough to each end of the awning frame for balanced support. Next, consult the manual's installation section regarding the "angle of inclination" (tilt angle). You can fix the unevenness by raising the lower side of the front bar until it aligns horizontally with the higher side.

## 3. What should I do if I cannot adjust the awning's angle of inclination (tilt)?

### Answer:

This issue usually happens for two reasons:

1. The adjustment bolts holding the awning arms are not loose enough to allow movement.
2. There is a mechanical issue or misalignment with the bolts or the pre-drilled holes.

### Solutions:

First, review the adjustment section in your manual to fully understand how the tilt mechanism works. For the easiest adjustment, roll the awning out until it is either completely half-open, or rolled out just about 50 cm (20 inches) from the wall. This takes the heavy tension off the arms. If you follow these steps and the angle still will not adjust, please contact your retail store or customer support for assistance.

## 4. Why does the awning roll itself back out after I close it with the manual crank (or vice versa)?

### Answer:

This typically happens when a motorized awning's electrical controls conflict with manual operation. To fix this, press the OFF button on your remote control or wall switch before using the manual hand crank. Always remember to press the OFF button once the awning has finished fully opening or fully closing to prevent the motor from trying to correct itself automatically.

