



SPAREPARTS
AUSTRALIA

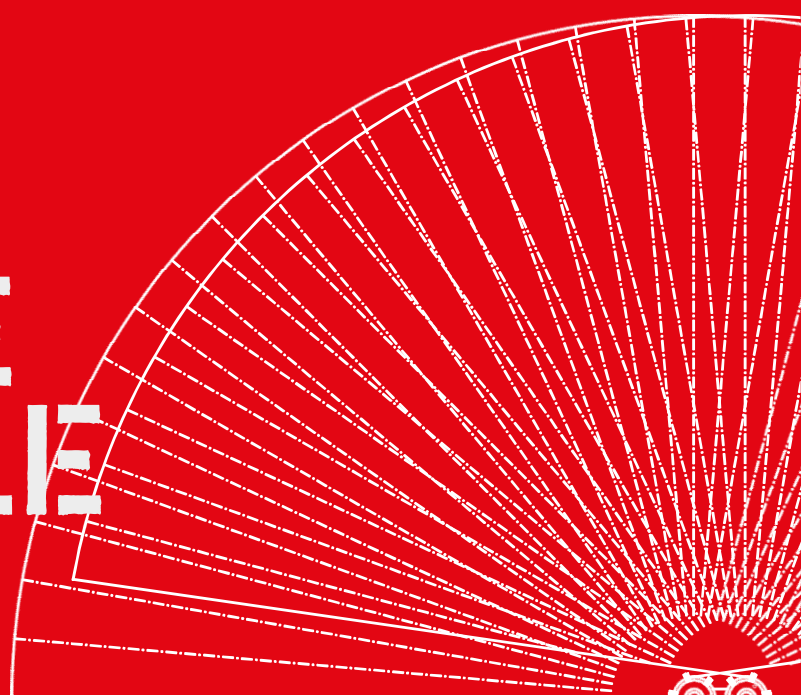


*XE MANUAL
Prior 2018*

K-XE105

K-XE135

**SIMPLE
PRECISE
RELIABLE**



December 2021

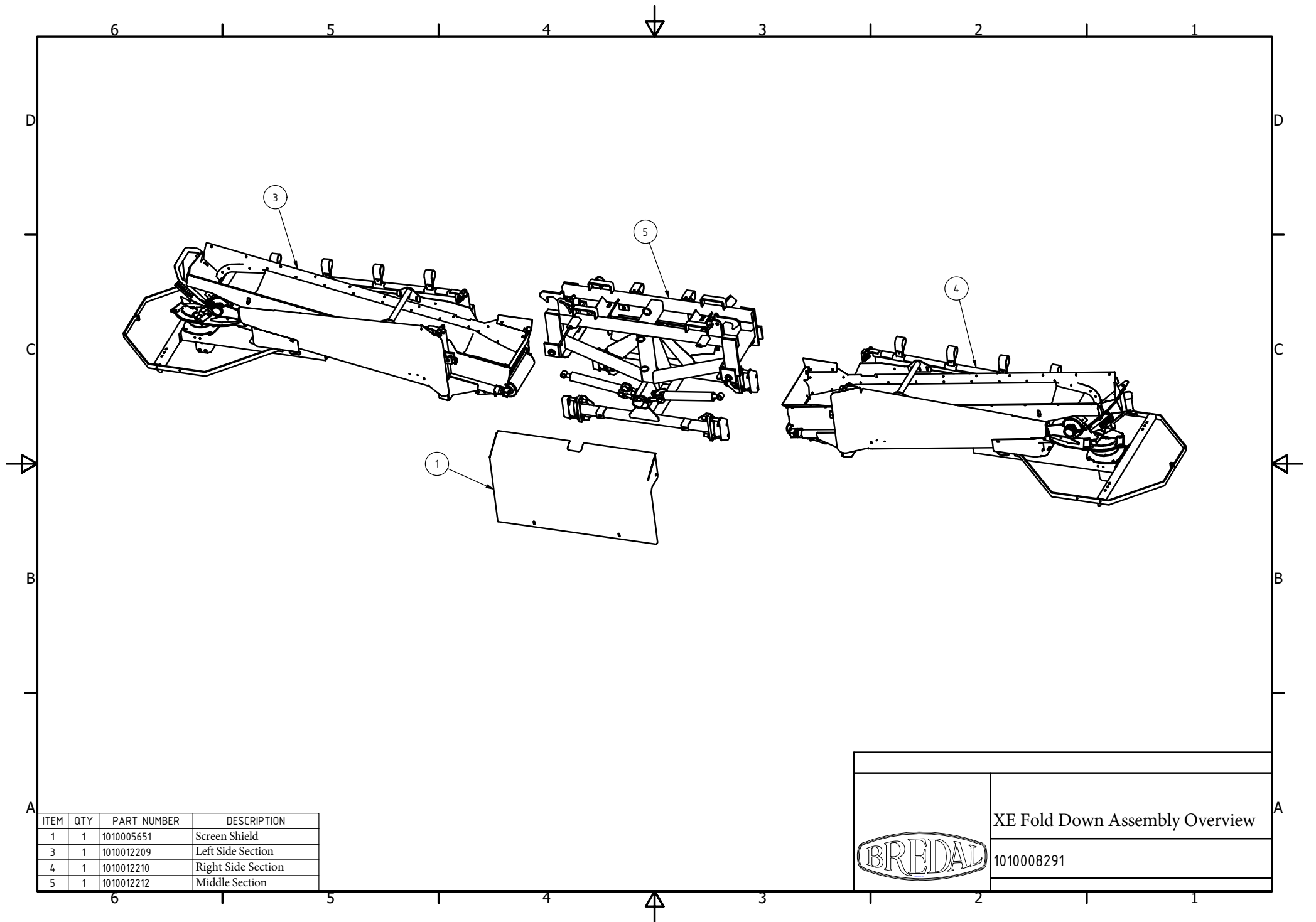
PART LOCATOR

Click to find a part number
or
Part Description



Reservations are made for any errors or omissions.

The latest version of this publication can be found on www.bredalaustralia.com

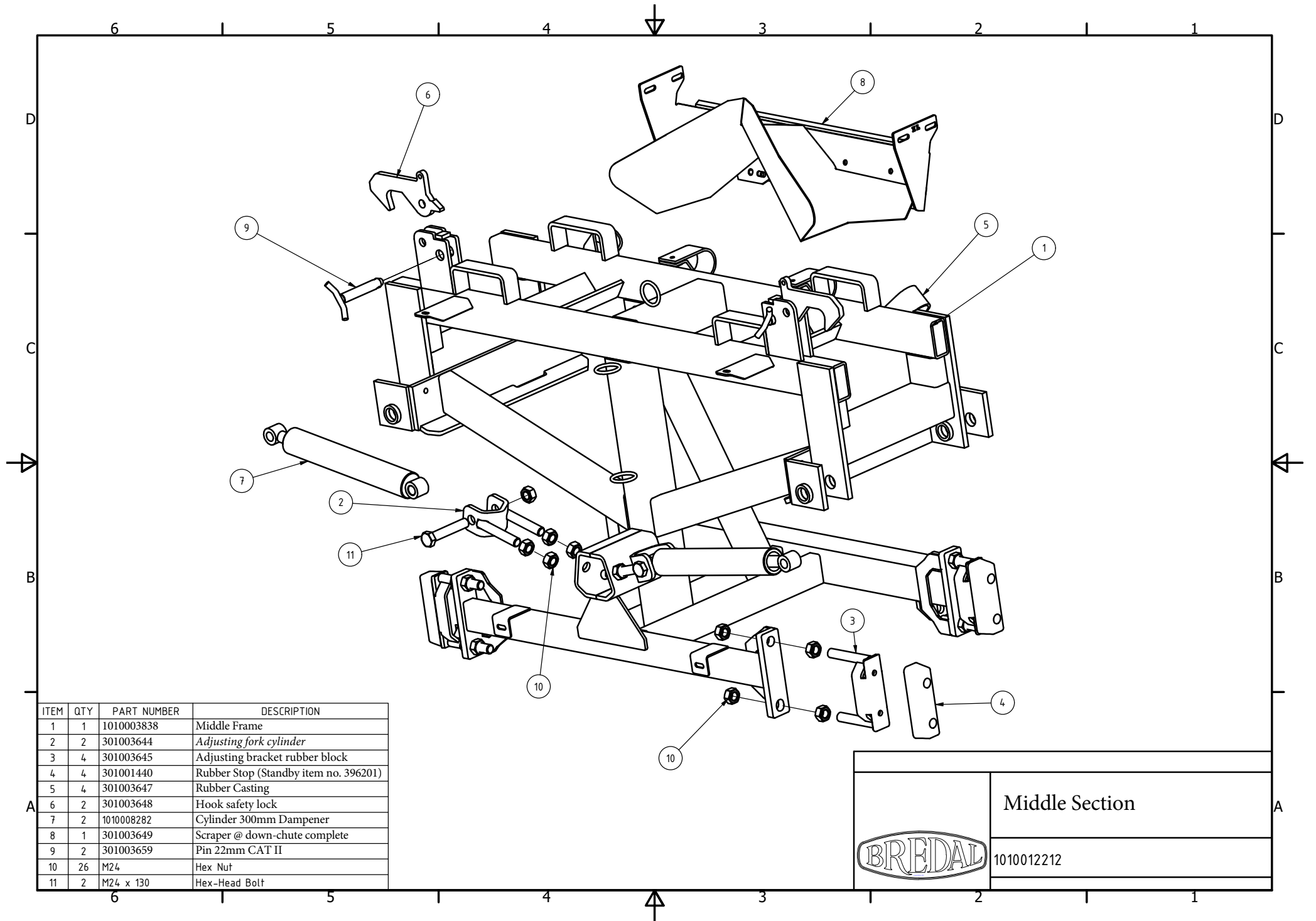


ITEM	QTY	PART NUMBER	DESCRIPTION
1	1	101005651	Screen Shield
3	1	1010012209	Left Side Section
4	1	1010012210	Right Side Section
5	1	1010012212	Middle Section



XE Fold Down Assembly Overview

1010008291

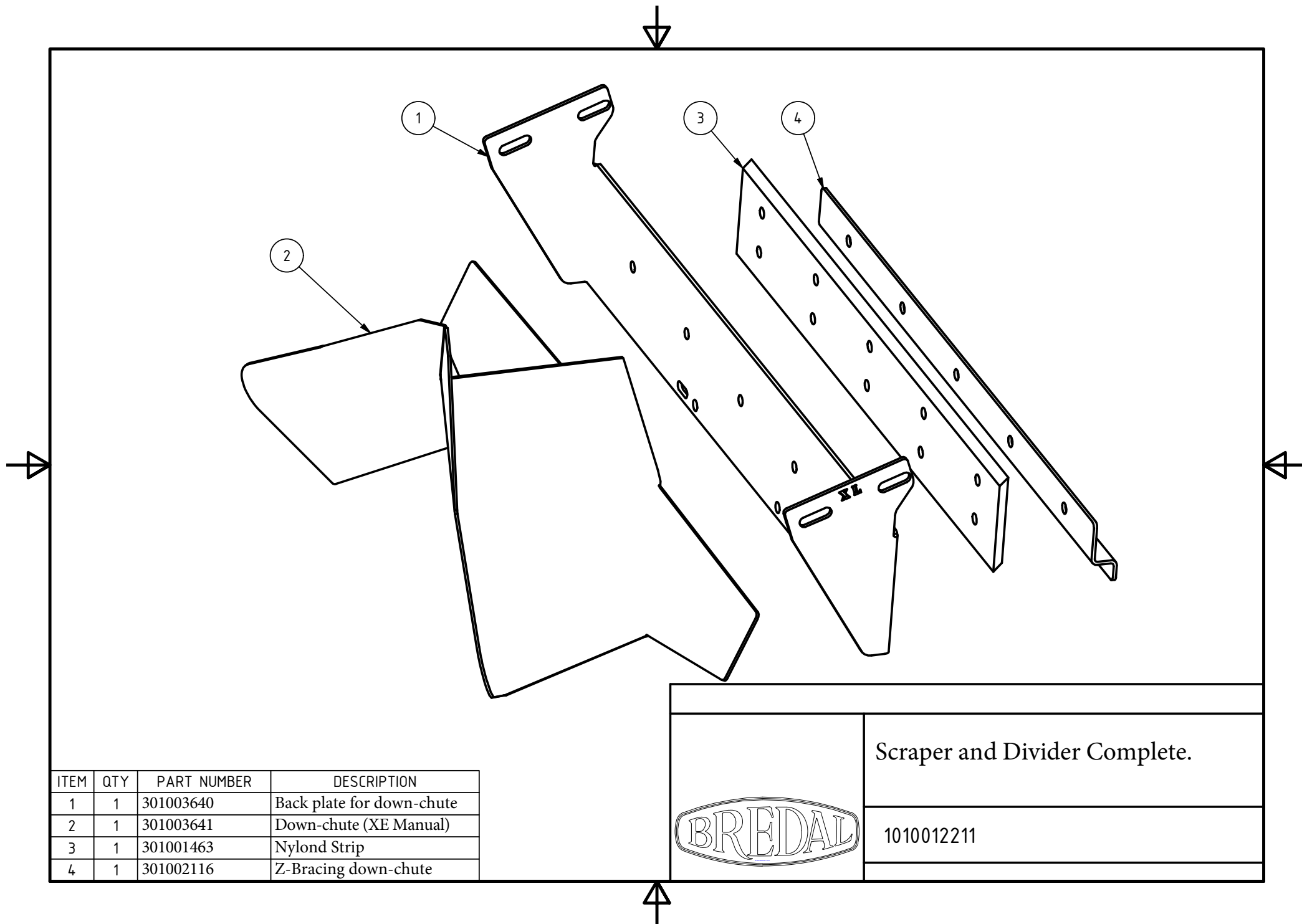


ITEM	QTY	PART NUMBER	DESCRIPTION
1	1	1010003838	Middle Frame
2	2	301003644	Adjusting fork cylinder
3	4	301003645	Adjusting bracket rubber block
4	4	301001440	Rubber Stop (Standby item no. 396201)
5	4	301003647	Rubber Casting
6	2	301003648	Hook safety lock
7	2	101008282	Cylinder 300mm Dampener
8	1	301003649	Scraper @ down-chute complete
9	2	301003659	Pin 22mm CAT II
10	26	M24	Hex Nut
11	2	M24 x 130	Hex-Head Bolt



Middle Section

1010012212

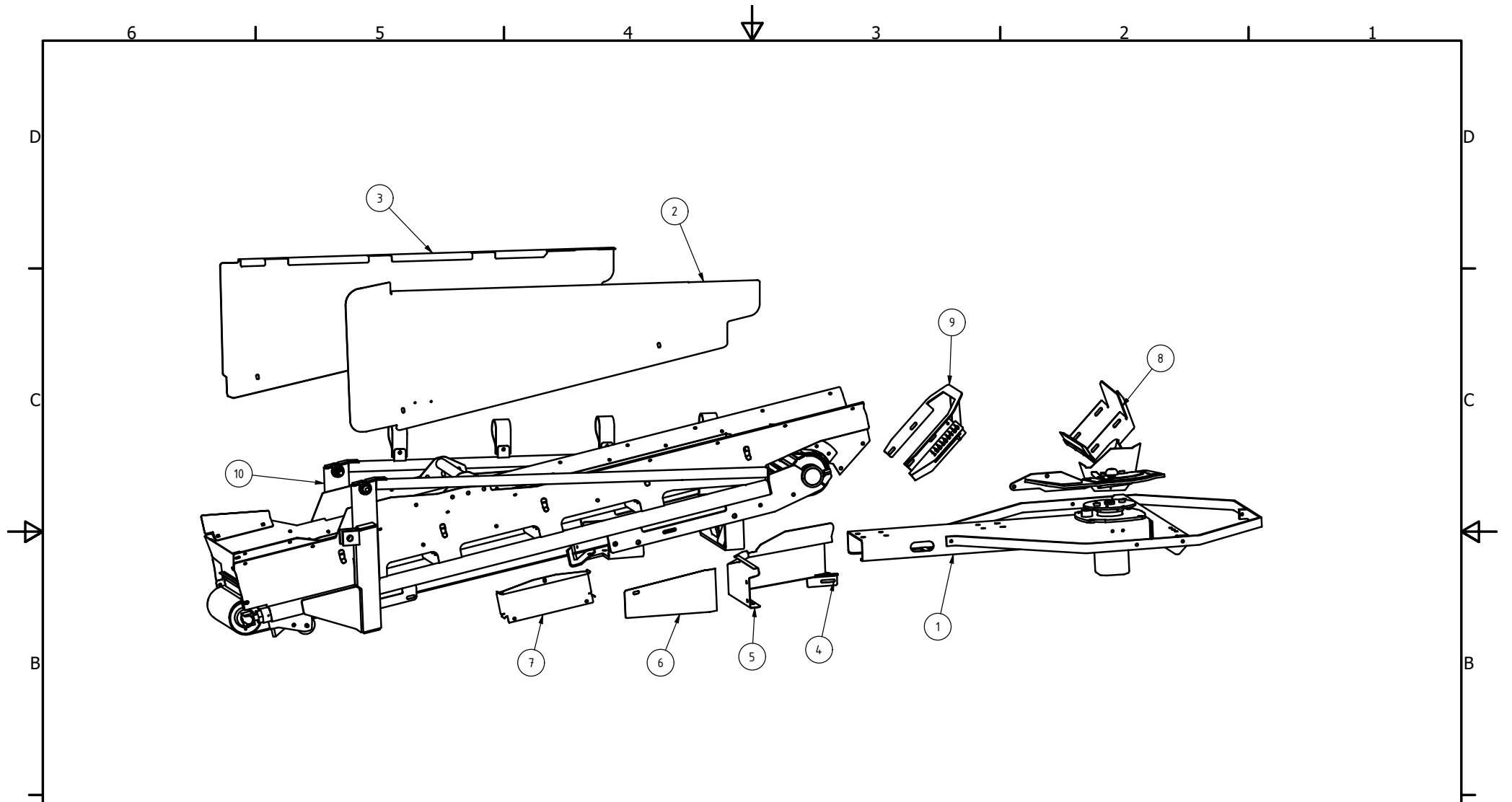


ITEM	QTY	PART NUMBER	DESCRIPTION
1	1	301003640	Back plate for down-chute
2	1	301003641	Down-chute (XE Manual)
3	1	301001463	Nylond Strip
4	1	301002116	Z-Bracing down-chute




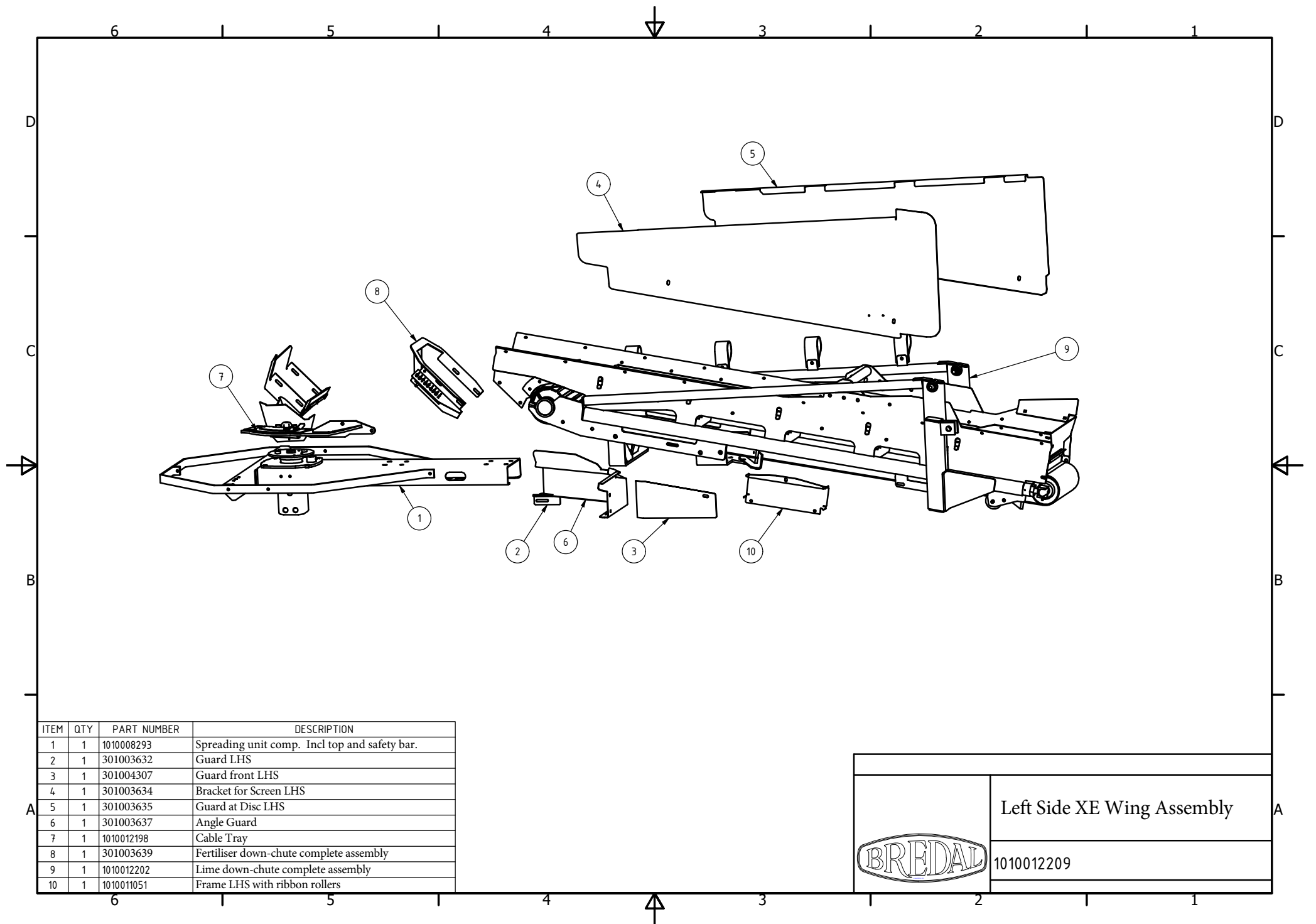
Scraper and Divider Complete.

1010012211




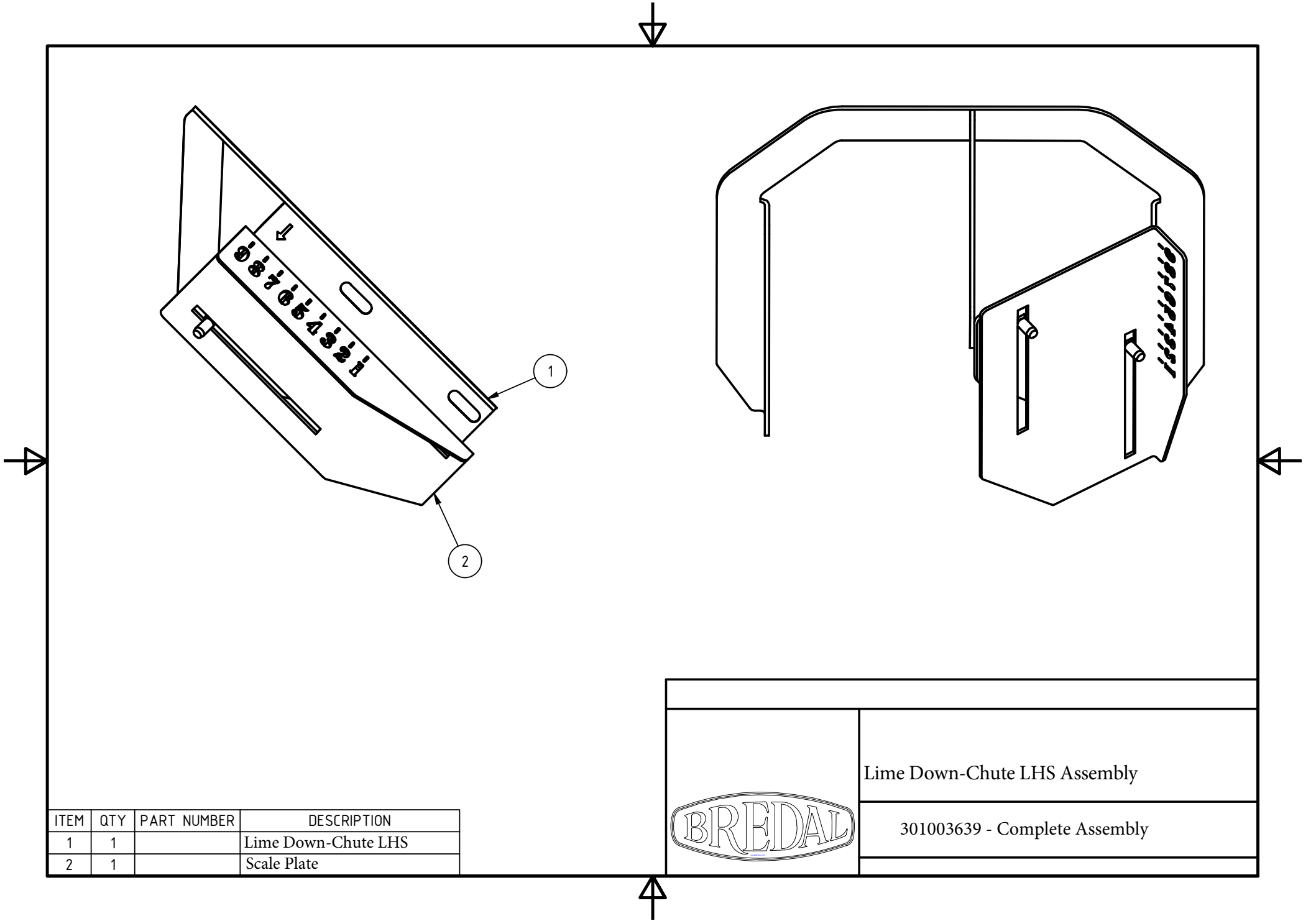
ITEM	QTY	PART NUMBER	DESCRIPTION
1	1	1010008293	Spreading unit comp. Incl top and safety bar.
2	1	301003814	Guard RHS
3	1	301003636	Guard front RHS
4	1	1010011280	Bracket for screen right
5	1	301003638	Guard at Disc right
6	1	301003633	Angle Guard
7	1	1010011051	Cable Tray
8	1	1010012200	Fertiliser down-chute complete assembly
9	1	1010012201	Lime down-chute complete assembly
10	1	1010012204	Frame RHS with ribbon rollers

	Right Side XE Wing Assembly
	1010012210



ITEM	QTY	PART NUMBER	DESCRIPTION
1	1	1010008293	Spreading unit comp. Incl top and safety bar.
2	1	301003632	Guard LHS
3	1	301004307	Guard front LHS
4	1	301003634	Bracket for Screen LHS
5	1	301003635	Guard at Disc LHS
6	1	301003637	Angle Guard
7	1	1010012198	Cable Tray
8	1	301003639	Fertiliser down-chute complete assembly
9	1	1010012202	Lime down-chute complete assembly
10	1	1010011051	Frame LHS with ribbon rollers

	Left Side XE Wing Assembly
	1010012209

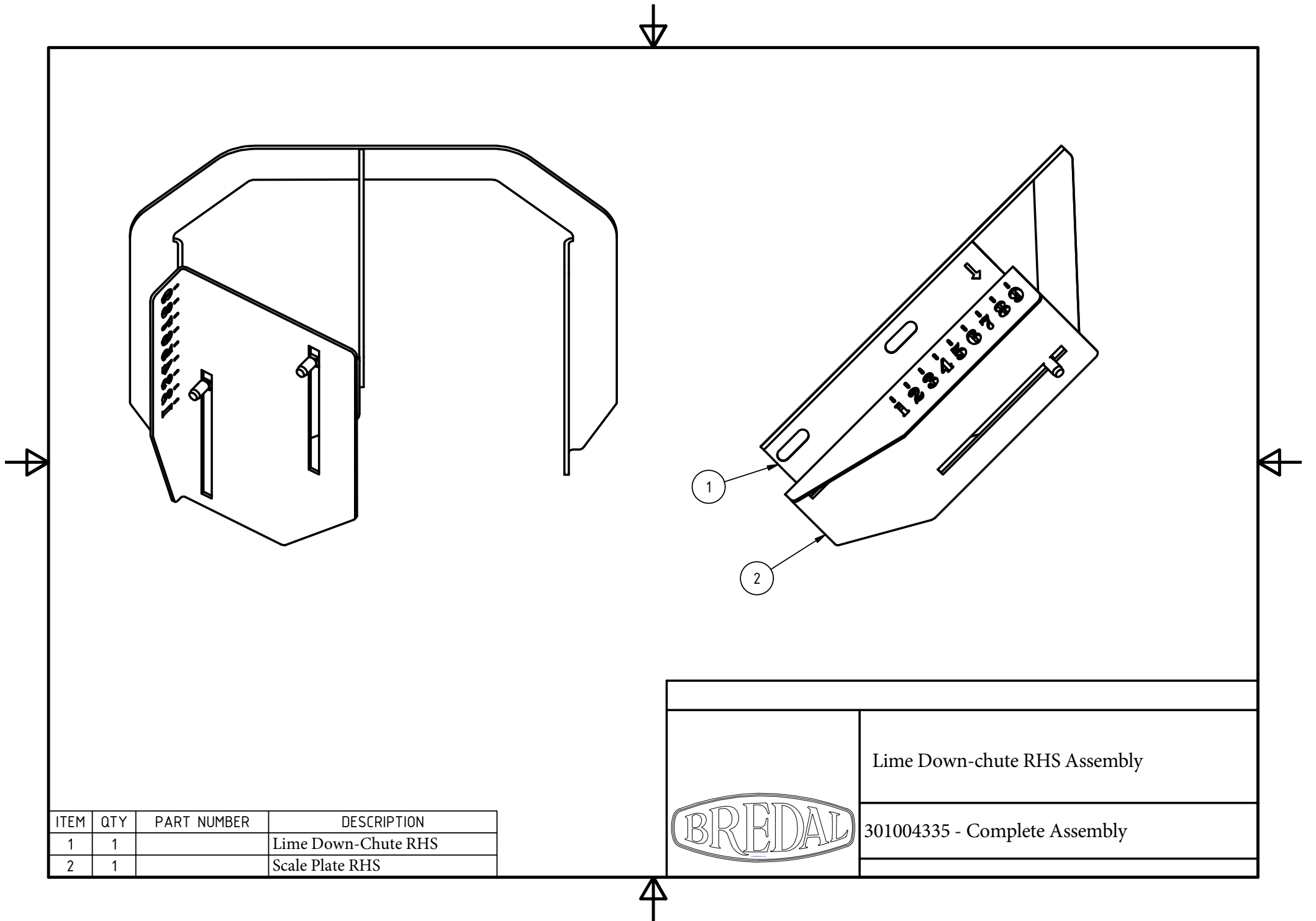


ITEM	QTY	PART NUMBER	DESCRIPTION
1	1		Lime Down-Chute LHS
2	1		Scale Plate



Lime Down-Chute LHS Assembly

301003639 - Complete Assembly

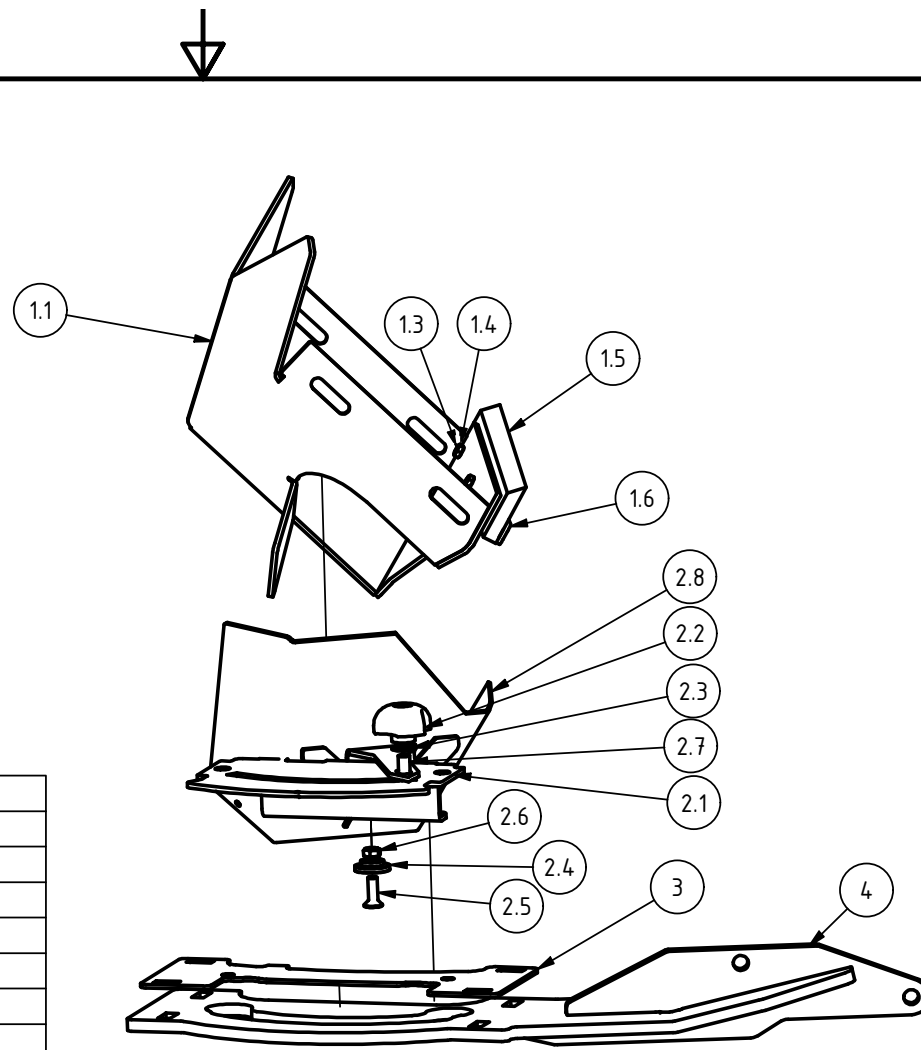


ITEM	QTY	PART NUMBER	DESCRIPTION
1	1		Lime Down-Chute RHS
2	1		Scale Plate RHS

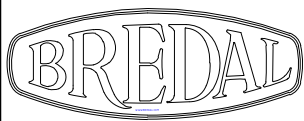


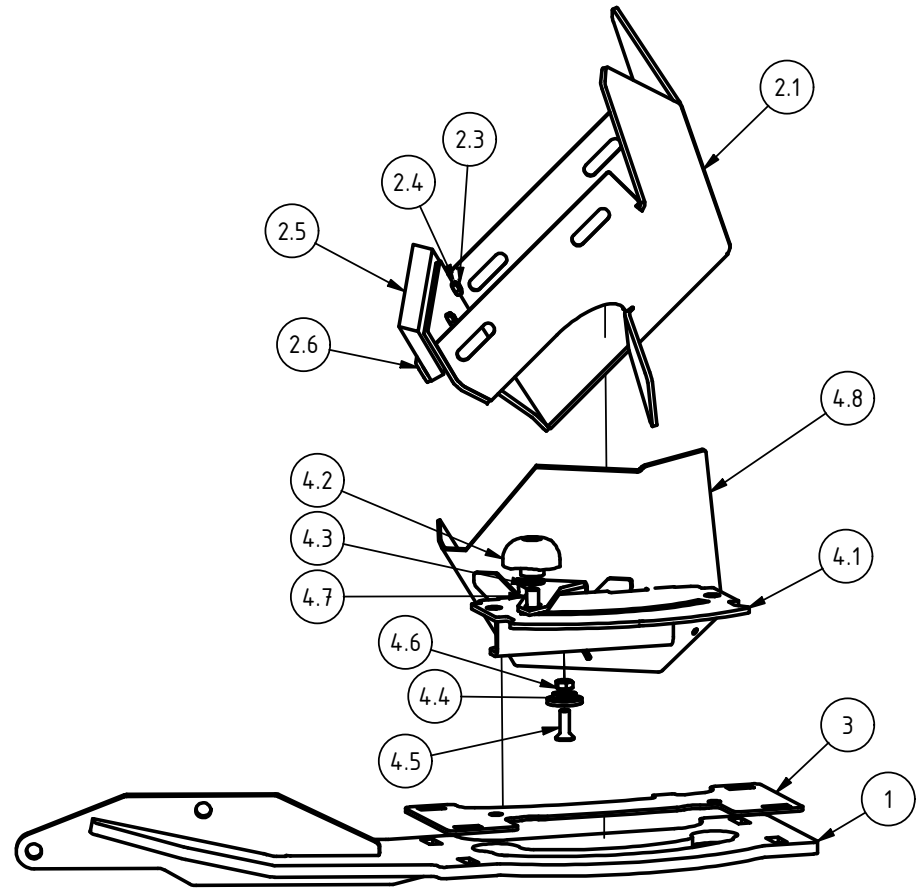
Lime Down-chute RHS Assembly

301004335 - Complete Assembly



ITEM	QTY	PART NUMBER	DESCRIPTION
1	1	1010004150	Fertiliser Down-Chute Assembly LHS
1.1	1	1010012242	Down-Chute LHS
1.3	3	M6 x 25	Hex-Head Bolt
1.4	3	M6	Hex Nut
1.5	1	301003631	Scraper
1.6	1	301004124	Rail at outlet
2	1	1010004152	Down-chute scale plate Assembly LHS
2.1	1	1010011159	Scale Plate LHS
2.2	1	301000458	Star grip, plastic/SS M10 black (Megatrade)
2.3	1	A 10,5	Washer
2.4	1	301004130	Control loss downspout
2.5	1	M8x25	Socket flat countersunk head cap Screw
2.6	1	M8	Hex Nut
2.7	1	M10 x 25	Round head short Square Neck Bolt
2.8	1	1010012237	Downhill LHS
3	1	1010001776	Bottom plate for down-chute
4	1	301003463	Mounting bracket drain LHS

	
Fertiliser Down-Chute LHS	
1010012198	



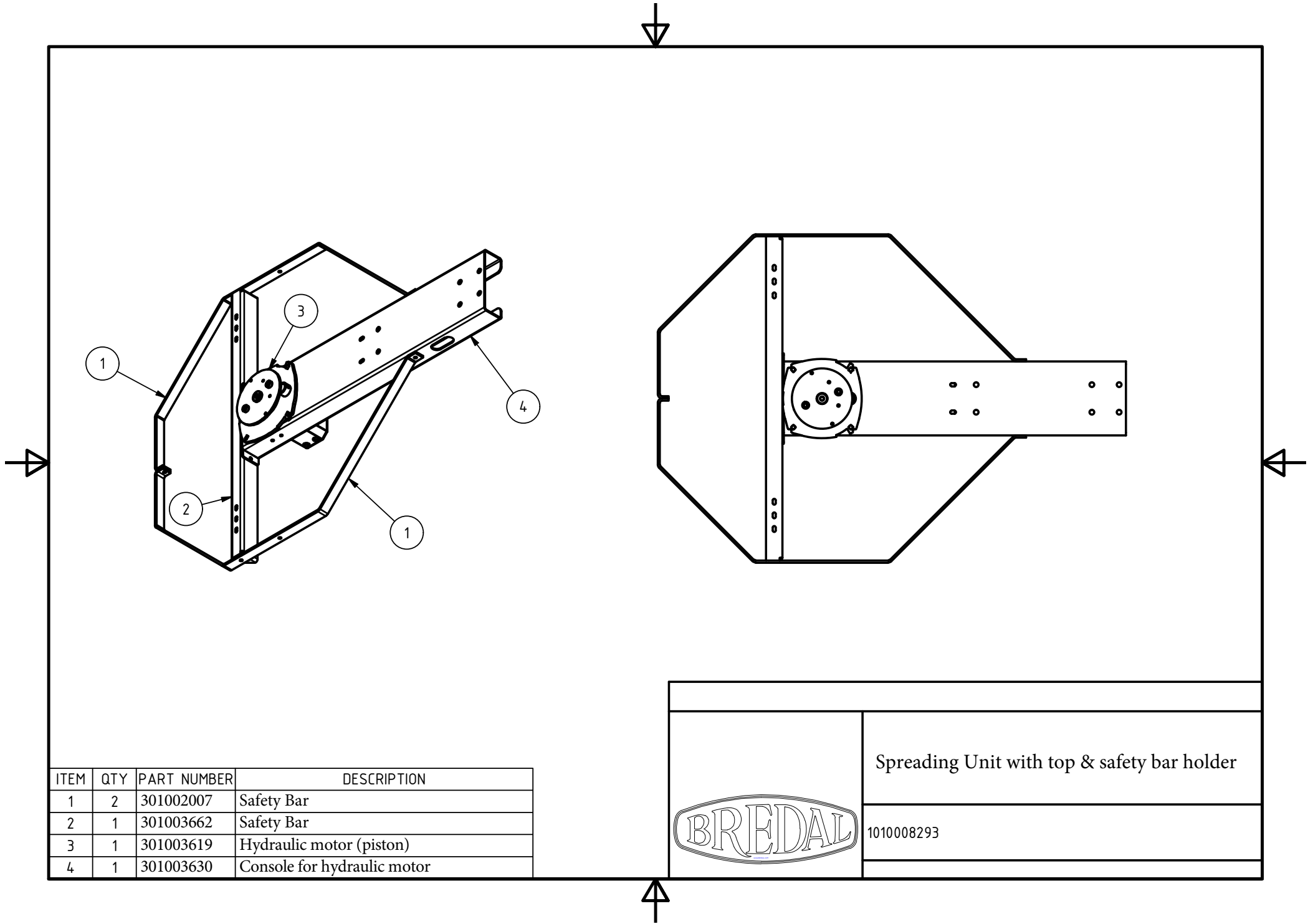
ITEM	QTY	PART NUMBER	DESCRIPTION
1	1	301004375	Mounting bracket drain RHS
2	1	1010012250	Fertiliser Down-Chute RHS
2.3	3	M6 x 25	Hex-Head Bolt
2.4	3	M6	Hex Nut
2.5	1	301003631	Scraper for Fertiliser
2.6	1	301004124	Rail at outlet
2.1	1	1010012243	Chute RHS
3	1	1010001776	Bottom plate for down-chute
4	1	1010012251	Down-Chute scale plate
4.2	1	301000458	Cross handle with bolt (down-chute) M10
4.3	1	A 10,5	Washer
4.4	1	301004130	Control loss down-chute
4.5	1	M8x25	Hexagon Socket Flat Countersunk Head Cap Screw
4.6	1	M8	Hex Nut
4.7	1	M10 x 25	Round Head Short Square Neck Bolt
4.8	1	1010012239	Downhill RHS
4.1	1	1010009184	Scale plate drains RHS



Fertiliser Down-Chute RHS

1010012200



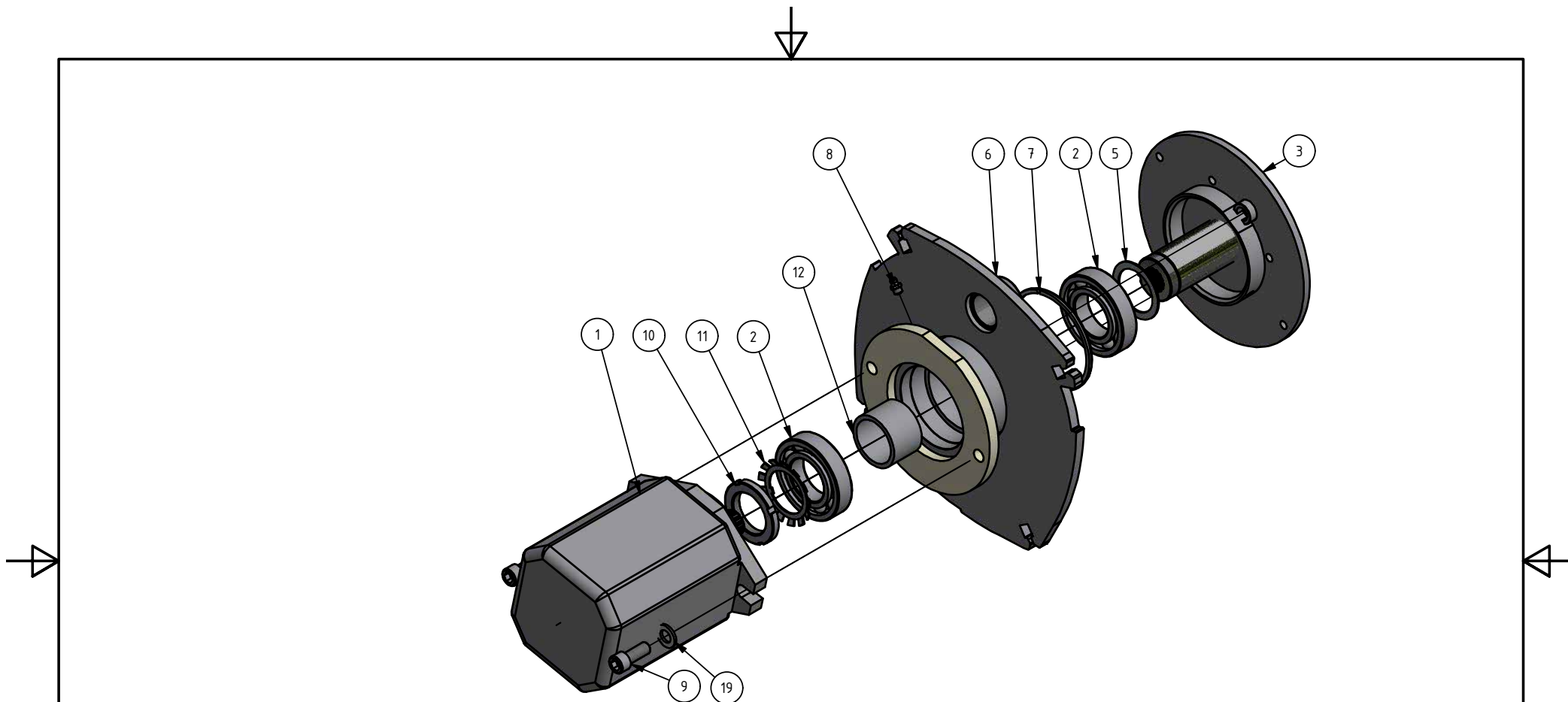


ITEM	QTY	PART NUMBER	DESCRIPTION
1	2	301002007	Safety Bar
2	1	301003662	Safety Bar
3	1	301003619	Hydraulic motor (piston)
4	1	301003630	Console for hydraulic motor



Spreading Unit with top & safety bar holder

1010008293



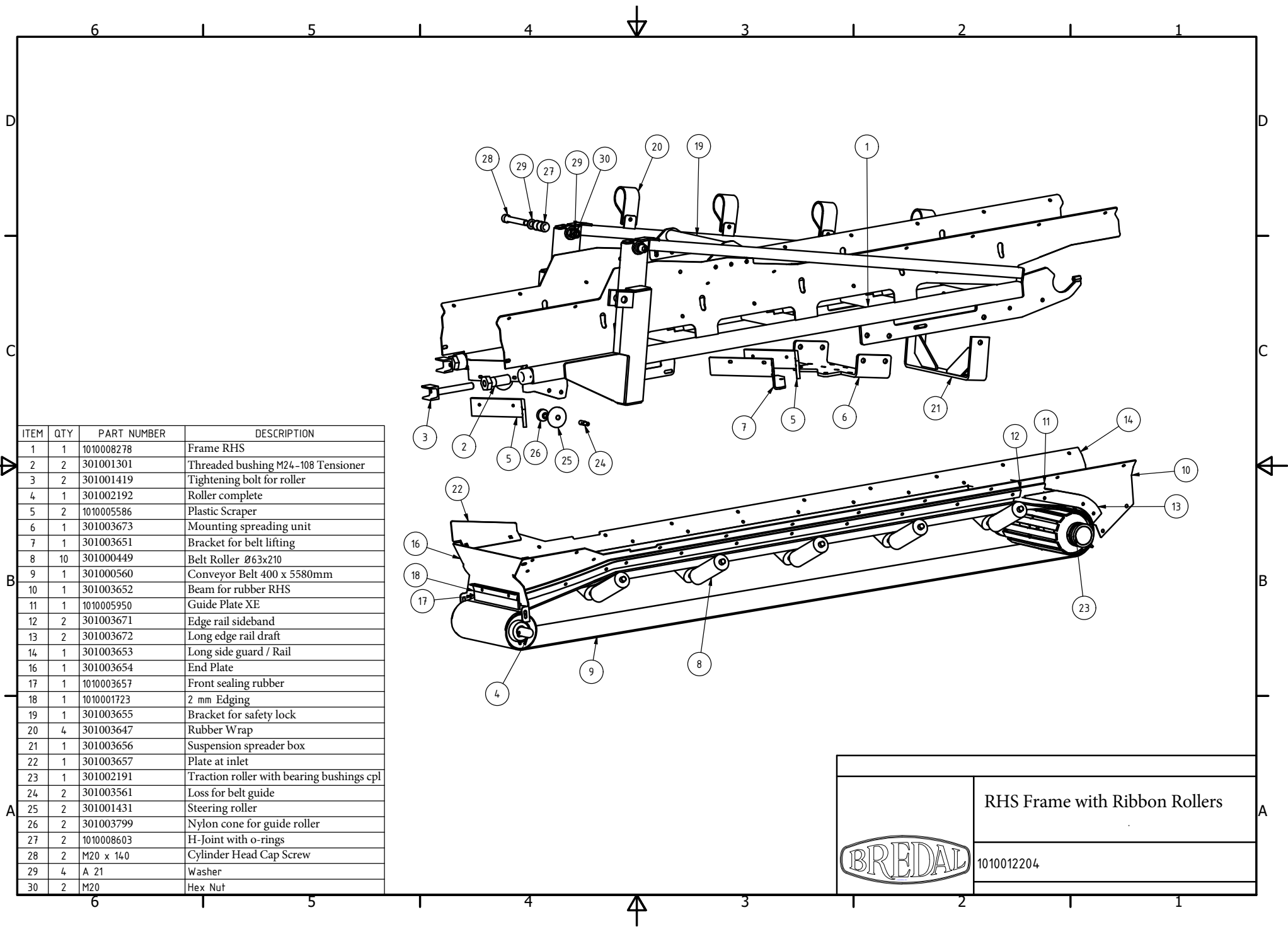
PARTS LIST

ITEM	QTY	PART NUMBER	DESCRIPTION
1	1	301003563 - Motor 64cc-Z15	DaniTech M4MF65-B3R- motor Z15
2	2	DIN 625 SKF - SKF 6209-2RS1	Bearing
3	1	301003665	Piston Motor Top (Spinner connect)
5	1	301003666	Shim Ø45x1,5
6	1	1010011274	Bearing housing for piston motor
7	1	301000914	Piston Ring 105-5
8	1	DIN 71412 - AM8 x 1 kegleformet kort	Grease nipple, conical Type A
9	2	DIN 912 - M12 x 30	Closed cylindrical head screw
10	1	DIN 981 - KM 9	Shaft Screw nut (notched)
11	1	DIN 981 - MB9	Locking Disc
12	1	301003669	Tube Ø55x4,5 - 39
19	2	DIN 126 - 13,5	Washers for hexagon bolts



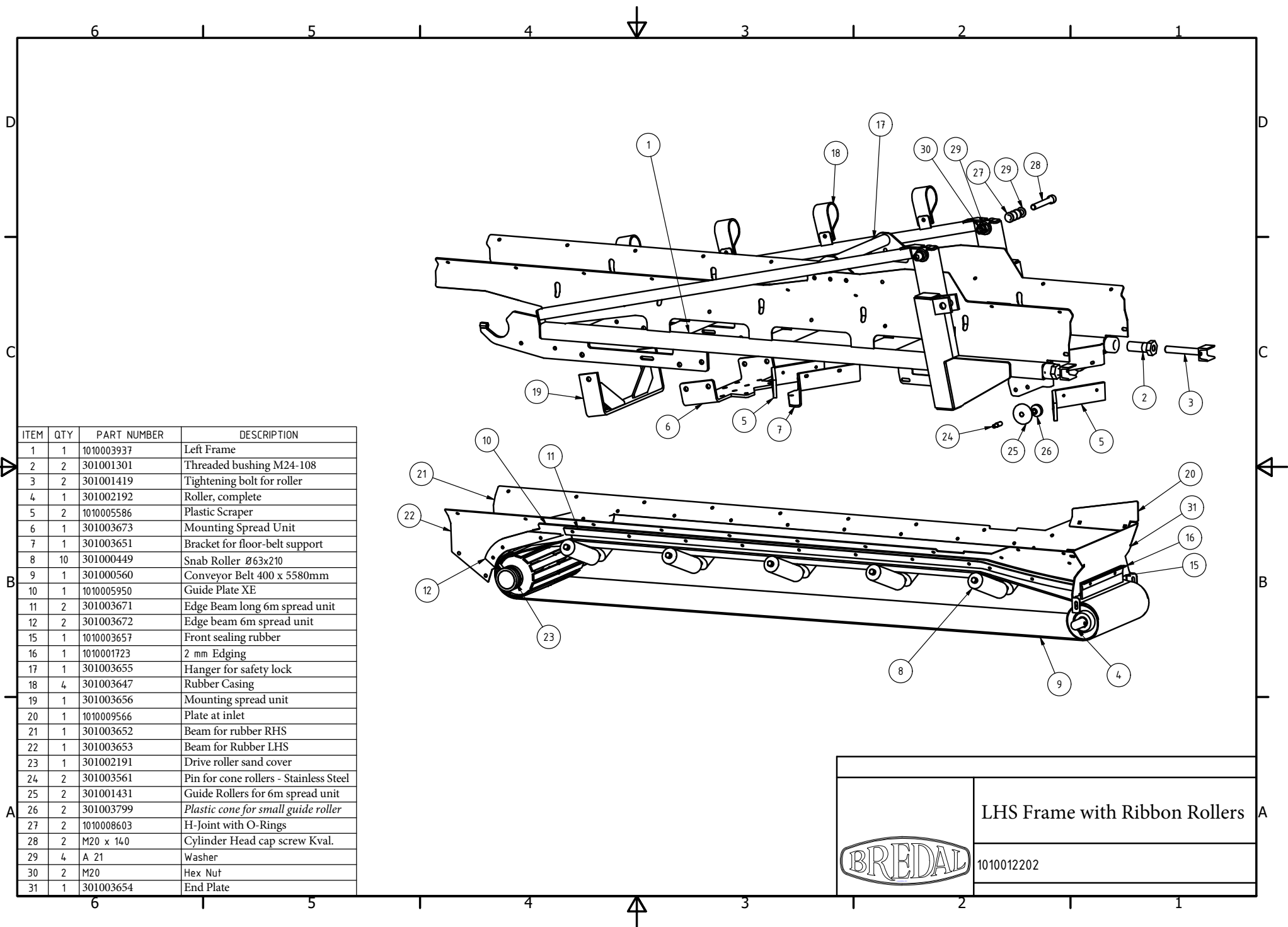
Hydraulic Piston Spinner Drive Motor

301003563 (Complete Motor)



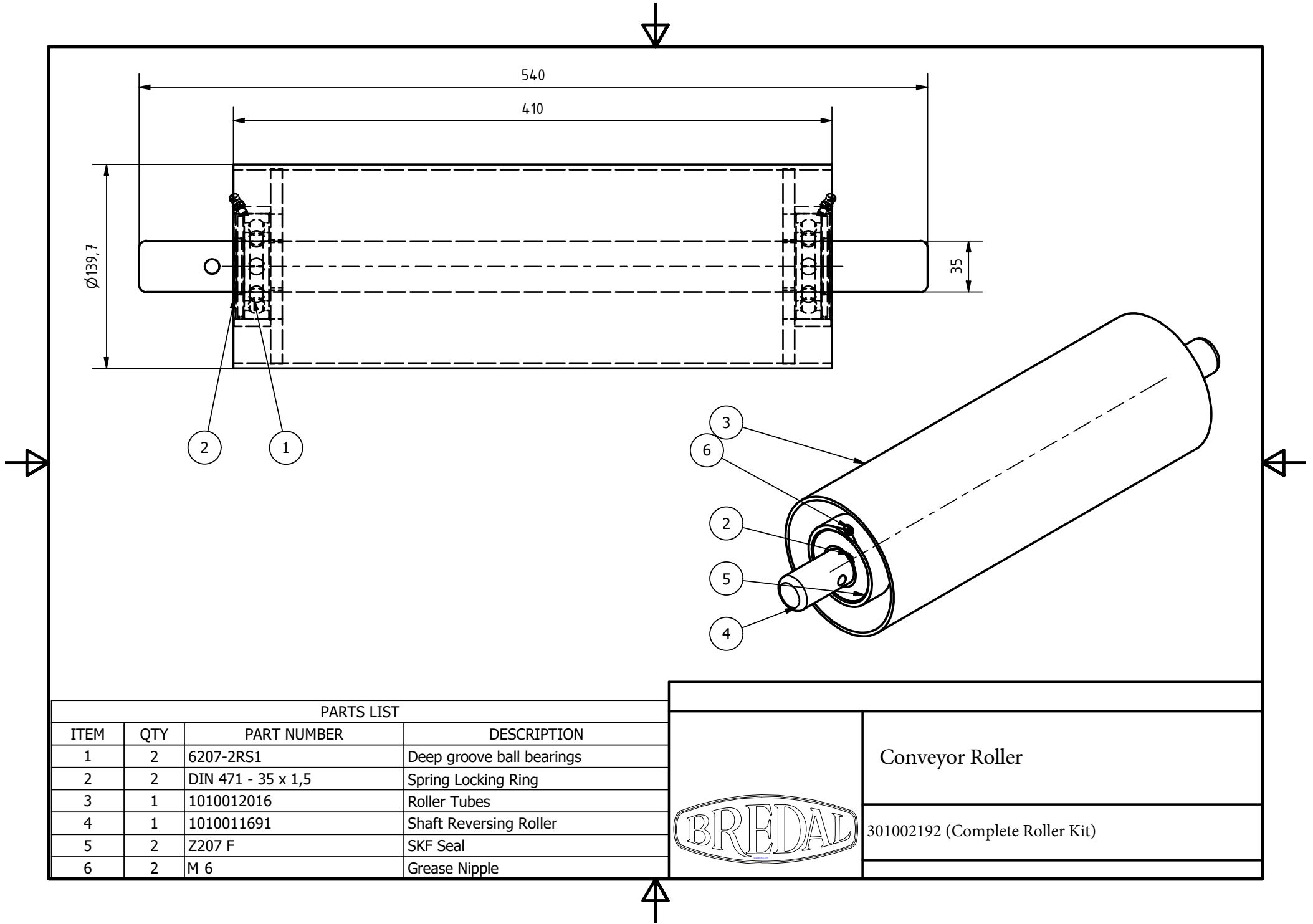
ITEM	QTY	PART NUMBER	DESCRIPTION
1	1	1010008278	Frame RHS
2	2	301001301	Threaded bushing M24-108 Tensioner
3	2	301001419	Tightening bolt for roller
4	1	301002192	Roller complete
5	2	1010005586	Plastic Scraper
6	1	301003673	Mounting spreading unit
7	1	301003651	Bracket for belt lifting
8	10	301000449	Belt Roller Ø63x210
9	1	301000560	Conveyor Belt 400 x 5580mm
10	1	301003652	Beam for rubber RHS
11	1	1010005950	Guide Plate XE
12	2	301003671	Edge rail sideband
13	2	301003672	Long edge rail draft
14	1	301003653	Long side guard / Rail
16	1	301003654	End Plate
17	1	1010003657	Front sealing rubber
18	1	1010001723	2 mm Edging
19	1	301003655	Bracket for safety lock
20	4	301003647	Rubber Wrap
21	1	301003656	Suspension spreader box
22	1	301003657	Plate at inlet
23	1	301002191	Traction roller with bearing bushings cpl
24	2	301003561	Loss for belt guide
25	2	301001431	Steering roller
26	2	301003799	Nylon cone for guide roller
27	2	1010008603	H-Joint with o-rings
28	2	M20 x 140	Cylinder Head Cap Screw
29	4	A 21	Washer
30	2	M20	Hex Nut

	RHS Frame with Ribbon Rollers
	1010012204




ITEM	QTY	PART NUMBER	DESCRIPTION
1	1	1010003937	Left Frame
2	2	301001301	Threaded bushing M24-108
3	2	301001419	Tightening bolt for roller
4	1	301002192	Roller, complete
5	2	1010005586	Plastic Scraper
6	1	301003673	Mounting Spread Unit
7	1	301003651	Bracket for floor-belt support
8	10	301000449	Snab Roller Ø63x210
9	1	301000560	Conveyor Belt 400 x 5580mm
10	1	1010005950	Guide Plate XE
11	2	301003671	Edge Beam long 6m spread unit
12	2	301003672	Edge beam 6m spread unit
15	1	1010003657	Front sealing rubber
16	1	1010001723	2 mm Edging
17	1	301003655	Hanger for safety lock
18	4	301003647	Rubber Casing
19	1	301003656	Mounting spread unit
20	1	1010009566	Plate at inlet
21	1	301003652	Beam for rubber RHS
22	1	301003653	Beam for Rubber LHS
23	1	301002191	Drive roller sand cover
24	2	301003561	Pin for cone rollers - Stainless Steel
25	2	301001431	Guide Rollers for 6m spread unit
26	2	301003799	Plastic cone for small guide roller
27	2	1010008603	H-Joint with O-Rings
28	2	M20 x 140	Cylinder Head cap screw Kval.
29	4	A 21	Washer
30	2	M20	Hex Nut
31	1	301003654	End Plate

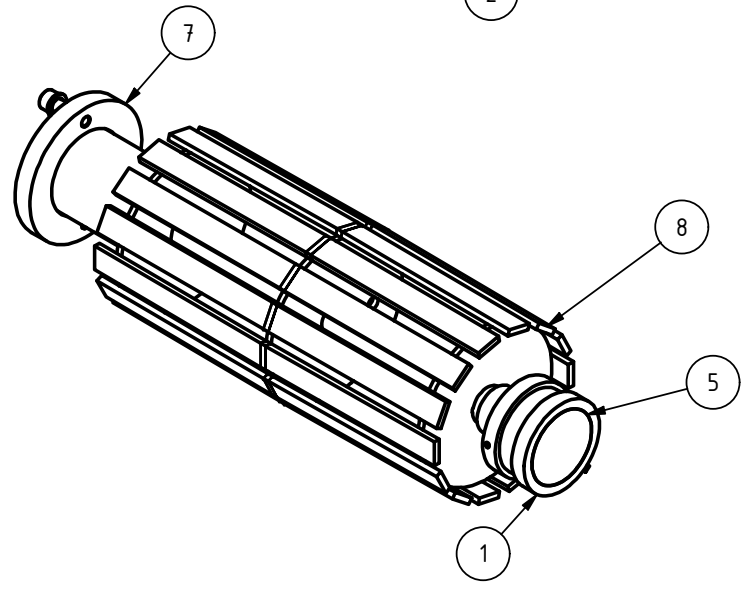
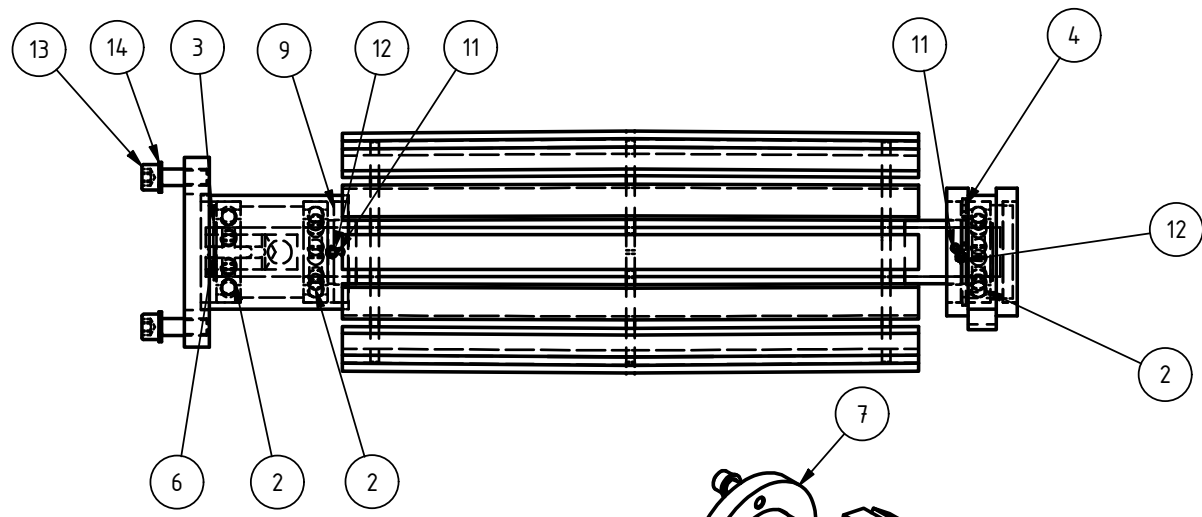
	LHS Frame with Ribbon Rollers
	1010012202




PARTS LIST

ITEM	QTY	PART NUMBER	DESCRIPTION
1	2	6207-2RS1	Deep groove ball bearings
2	2	DIN 471 - 35 x 1,5	Spring Locking Ring
3	1	1010012016	Roller Tubes
4	1	1010011691	Shaft Reversing Roller
5	2	Z207 F	SKF Seal
6	2	M 6	Grease Nipple

	Conveyor Roller
	301002192 (Complete Roller Kit)



ITEM	QTY	PART NUMBER	DESCRIPTION
1	1	1010012012	Running hub pull roller
2	3	6207-2RS1	Deep groove ball bearings
3	2	DIN 471 - 35 x 1,5	Spring locking ring
4	1	DIN 472 - 72 x 2,5	Spring locking ring
5	1	Cover -722	Spring Ø72
6	1	8 x 7 x 32	Feather
7	1	1010012014	Pull Roller
8	1	1010012013	Drive Roller Shaft with discs
9	2	1010012015	Stop Ring
11	2	M6 x 8	Hexagon Socket Set Screw
12	2	M6	Grease Nipple
13	2	M12 x 35	Hexagon Socket Head Cap Screw
14	2	Ø12	Spring Washer

	Drive Roller with Bearing Bushings Assembly
	301002191 (Complete Drive Roller Kit)



SPAREPARTS

SPAREPARTSLIST K-XE

(Manual Drop Point)



SIMPLE
PRECISE
RELIABLE

For more than 50 years Bredal has been specialising in production of high-quality lime and fertiliser spreaders for agricultural purposes. The companies goal is to build reliable machinery, precise in exploitation, simple in operation and maintenance. In recent years, the Bredal product range has been expanded to include winter equipment in the form of sand and salt spreaders.

Bredal is located in Vejle, Denmark, where it has state of the art production facilities with latest equipment used for producing the high-quality spreaders.

Bredal Australia is the sole importer into Australia, located in Gunnedah NSW. Bredal Australia has staff presence in Western Australia and through out the Eastern States including Tasmania and South Australia for Sales, spare parts and service backup support.

Visit www.bredalaustralia.com to find your nearest Bredal dealer.