



NATURAL GAS

PRODUCTS, TOOLING, & EQUIPMENT



www.egwutilitysolutions.com



CONSUMABLES	3	LEAK DETECTION-SURVEY	24
PE PIPE TOOLS	4	DAMAGE PREVENTION	28
SOCKET, SADDLE, & BUTT FUSION	8	INSTRUMENTS & GAUGES	34
ELECTROFUSION	10	PERSONAL PROTECTIVE EQUIPMENT	36
STEEL PIPE TOOLS	11	HAND TOOLS	38
PRESSURE & MEASUREMENT	14	EXCAVATION & CONSTRUCTION	42
METER SETS & ACCESSORIES	19	EMISSION REDUCTION	49
CATHODIC PROTECTION	22	POWER TOOLS	50
TAPPING & PLUGGING ACCESSORIES	23		

OUR PURPOSE:

SOLVING PROBLEMS • MAKING CONNECTIONS • SERVING OTHERS

OUR CORE VALUES:

WE WILL:

- **DO THE RIGHT THING**
- **PUT CUSTOMERS FIRST**
- **CARE FOR TEAMMATES**
- **WORK HARD**
- **CONSTANTLY IMPROVE**
- **HAVE FUN**

SCAN TO VISIT OUR WEBSITE:



■ PE PIPE/FITTINGS

BALL VALVES

BF/SF FITTINGS

COMPRESSION FITTINGS

EF FITTINGS

EXCESS FLOW VALVES

MECHANICAL FITTINGS

MEDIUM/HIGH DENSITY PIPE

RISERS

STAB FITTINGS

TAP TEES

TRANSITIONS

TRANSITION FITTINGS

VALVES

VALVE BOXES

■ REPAIR PRODUCTS

CLAMPS

COUPLINGS

ENGINEERED COMPOSITE REPAIR SOLUTIONS

LIVE LEAK KITS

SLEEVES

■ DAMAGE PREVENTION

3M MARKERS

CONNECTORS

DETECTABLE TAPE

HIT KITS

LINE MARKERS

MARKING SIGNS

MARKING PAINT

MARKING FLAGS

METER BARRIERS

METER PROTECTION POSTS & BOLLARDS

TRACER STATIONS

TRACER WIRE

■ MEASUREMENT & PRESSURE CONTROL

ANALOG & DIGITAL GAUGES

CHART RECORDERS

FARM TAPS

LOCKS

METER BARS/MANIFOLDS

METER PAINT

METERS/REGULATORS/RELIEF VALVES

REGULATOR STATIONS

ROTARY SETS

SPOOL PIECES

STAINLESS TUBE AND FITTINGS

STOPCOCKS

SWIVELS, NUTS, PLUGS & GASKETS

VENTS

■ STEEL FITTINGS/CP/ ACCESSORIES

ANODES

BONDING CABLES

CORROSION PREVENTION/REPAIR PRODUCTS

ELECTRODES

FLANGES & ACCESSORIES

HOLESAWS, SEALING CUPS

LINE STOPPER FITTINGS

MALLEABLE FITTINGS

NIPPLES

SPLIT BOLTS

THERMOWELD

THREAD SEAL

VALVES

VALVE BOXES

VALVE GREASE, CLEANER & GUNS

UNIONS

WELD FITTINGS



EGW TEST CAPS

- Custom Kits Available



IONIX STATIC SUPPRESSOR

- Easier to use than soapy burlap or film wrap
- Versatile
- Lab tested for safety
- Optional aerosol reach tool available
- 12 bottles per case



IONIX STATIC METER

- Measures static charges from 0 - 30,000 volts
- Convenient pocket size
- Designed for close-in repetitive readings

POLYETHYLENE PIPE TOOLS

ITEM ID	MANUFACTURER	PRODUCT DESCRIPTION
19877	EGW	Test Cap Kit 1/2" CTS PE w/Safety Gag
19878	EGW	Test Cap Kit 1/2" IPS PE w/Safety Gag
19879	EGW	Test Cap Kit 3/4" IPS PE w/Safety Gag
19880	EGW	Test Cap Kit 1" IPS PE w/Safety Gag
19881	EGW	Test Cap Kit 1-1/4" IPS PE w/Safety Gag
19882	EGW	Test Cap Kit 1-1/2" IPS PE w/Safety Gag
19883	EGW	Test Cap Kit 2" IPS PE w/Safety Gag
22454	Ionix	Aerosol Static Suppressor - 13 oz
24757	Ionix	Aerosol Static Suppressor - 13 oz Low Temp
22837	Ionix	Aerosol Reach Tool
38592	Ionix	Pole for Aerosol Reach Tool
Call	Ionix	Static Meter
14163	Footage	C132 Squeeze Tool, 1/2"-3/4", Manual, Vice-Grip Style
14182	Footage	C50 Squeeze Tool, 1/2"-1-1/4", Manual
14158	Footage	C100 Squeeze Tool, 1/2"-2", Manual
14167	Footage	C156 Squeeze Tool, 1-1/4"-4", Manual
20498	Footage	C177 Squeeze Tool, 1"-4", Hydraulic
14179	Footage	C400 Squeeze Tool, 2"-6", Manual
14183	Footage	C600 Squeeze Tool, 2"-6", Hydraulic
14193	Footage	C850 Squeeze Tool, 4"-8", Hydraulic
20495	Footage	C1200 Squeeze Tool, 8"-12", Hydraulic
16141	Reed	Squeeze Tools 1/2"-1"IPS/CTS
48501	Reed	Squeeze Tools 1/2"-2" CTS PE
16142	Reed	Squeeze Tools 1/2"-2" IPS PE
29991	Reed	Squeeze Tools 2"-4" PE



FOOTAGE C132
• For 1/2" - 3/4" diameter pipe



FOOTAGE C50
• For 1/2" - 1-1/4" diameter pipe



FOOTAGE C100
• For 1/2" - 2" diameter pipe



FOOTAGE C156
• For 1-1/4" - 4" diameter pipe



FOOTAGE C400
• For 2" - 6" diameter pipe



FOOTAGE C177
• For 1" - 4" diameter pipe



FOOTAGE C600
• For 2" - 6" diameter pipe



FOOTAGE C850
• For 4" - 8" diameter pipe



FOOTAGE C1200
• For 8" - 12" diameter pipe

POLYETHYLENE PIPE TOOLS

ITEM ID	MANUFACTURER	PRODUCT DESCRIPTION
59114	PLCS	Supraflow 4"-8" High Volume Tapping Tee
45459	RITMO America	Universal Aligner 63 (1/2" IPS - 2" IPS) Qty 2 Arms
52836	RITMO America	Aligner Eco 20-63 (1/2" IPS - 2" IPS) Qty 2 Arms
45460	RITMO America	Universal Aligner 160 Light (2" IPS - 6" IPS) Qty 2 Arms
45465	RITMO America	Universal Aligner 160 Light (2" IPS - 6" IPS) Qty 1 Extra Arm For Tees
45458	RITMO America	Aligner Eco 63-180 (2" IPS - 6" DIPS) Qty 2 Arms
41919	RITMO America	Aligner Eco 63-180 (2" IPS - 6" DIPS) Qty 3 Arms
45463	RITMO America	Aligner 125-500 (4" IPS - 20" IPS) Qty 2 Arms
45464	RITMO America	Aligner 125-500 (4" IPS - 20" IPS) Qty 3 Arms
49095	Georg Fischer	Clamp, Locking Pliers 1-1/4" IPS
49097	Georg Fischer	Clamp, Locking Pliers 2" IPS/CTS, Wide Body
22078	Georg Fischer	Mini Full Coupling Clamp 1/2" CTS
23113	Georg Fischer	Mini Full Coupling Clamp 1/2" IPS
49096	Georg Fischer	Mini Full Coupling Clamps 3/4" IPS
23114	Georg Fischer	Mini Full Coupling Clamp 3/4" CTS
23115	Georg Fischer	Mini Full Coupling Clamps 1" CTS
49623	Georg Fischer	Mini Full Coupling Clamps 1" IPS
23126	Georg Fischer	Mini Full Coupling Clamps 1-1/4" IPS
10756	Georg Fischer	Saddle Clamp 2"
10758	Georg Fischer	Saddle Clamp 4"
10754	Georg Fischer	Multi Clamp Kit 2"-4" w/ 18" Base in Tool Box
Call	McElroy	Low Profile Rollers
Call	McElroy	MegaMC Rollers
35514	McElroy	Polyporter
Call	UPSCO	Folding Pipe Stand - 1"-4"
Call	UPSCO	Folding Pipe Stand - 4"-8"
Call	UPSCO	Folding Pipe Stand - 8"-12"



RITMO UNIVERSAL ALIGNER 63
 • Aligns & supports pipes 1/2" - 2"



RITMO ALIGNER ECO 20-63
 • Aligns & supports pipes 1/2" - 2" IPS



RITMO UNIVERSAL ALIGNER 160
 • Aligns & supports pipes 2" - 6" IPS



RITMO ALIGNER ECO 63-180
 • Aligns & supports pipes 2" - 6" DIPS



RITMO ALIGNER 125-500
 • Aligns & supports pipes 4" - 20" IPS



PLCS SUPRAFLOW TEE
 • No other solution offers live gas-free 4"-8" branching on 4"-18" main
 • Gas-free installation meets ASTM D2513



GFCP MULTI-CLAMP KIT
 • For 2", 3" & 4" IPS

GFCP LOCKING PLIER CLAMPS
 • For 1-1/4"-2" IPS

MCELROY LOW PROFILE ROLLERS
 • Minimizes drag on the pipe
 • Allows for curved pulls
 • Rolls easily, increasing productivity
 • Keeps pipe clean and off the ground

MCELROY POLYPORTER
 • 2" IPS to 8" DIPS pipe
 • Combines the advantage of a dolly and a pipe stand
 • One person can easily load a length of pipe without strain

GFCP MINI-CLAMPS
 • For 1/2"-1" IPS
 • For 1/2" CTS

GFCP SADDLE CLAMPS
 • For 2"-4" IPS

UPSCO FOLDING PIPE STANDS
 • Aircraft-alloy Aluminum
 • Lightweight with exceptional strength
 • Easy handling and fast set-up

GFCP HVTT TOOL

- Three adjustable settings
- For GFCP Conventional HVTT Fittings, Electrofusion HVTT Fittings, and HiFlow HVTT Fittings



GFCP FSEQ ROTARY PEELER

- Spring loaded peeling blade
- Pivoted mounted peeling blade
- No limitation of peeling length
- Time saving
- No damage of pipe surface and no dirty feed rolls
- Peeler is always ready to use



GFCP SURPEEL

- Controlled advance with threaded drive
- Sandvik hardened knife steel cutting blades
- Quick release ratchet
- Anodized aluminum body and serviceable components
- Mandrels re-round out-of-round tubing
- Floating blades
- Directly opposed dual cutting blades

PLASSON PIPE SCRAPERS

- Available for sizes 1/2"-10" IPS
- Comes with case



POLYETHYLENE PIPE TOOLS

ITEM ID	MANUFACTURER	PRODUCT DESCRIPTION
10779	Georg Fischer	HVTT Tool
50685	Georg Fischer	Ratchet for HVTT Tool
10779	Georg Fischer	Driver HVTT Punch Tool, 5/8 Hex Wide Body
10729	Georg Fischer	Driver Punch 1/2 Hex 11 in, Handle Service Tees
10780	Georg Fischer	Service Tee Tool
39416	Georg Fischer	FSEQ Rotary Peeler 2"
39417	Georg Fischer	FSEQ Rotary Peeler 3"
39418	Georg Fischer	FSEQ Rotary Peeler 4"
39419	Georg Fischer	FSEQ Rotary Peeler 6"
39429	Georg Fischer	FSEQ Rotary Peeler Blade Kit
39424	Georg Fischer	Blade Kit for FSEQ Rotary Peeler
48350	Georg Fischer	Surpeel 1/2" CTS
48351	Georg Fischer	Surpeel 1/2" IPS
48352	Georg Fischer	Surpeel 3/4" IPS
48353	Georg Fischer	Surpeel 1" CTS
48354	Georg Fischer	Surpeel 1" IPS
48355	Georg Fischer	Surpeel 1-1/4" IPS
48356	Georg Fischer	Surpeel 2" IPS
48599	Georg Fischer	Surpeel Blade 1/2" CTS - 1" CTS
50460	Georg Fischer	Surpeel Blade 1" IPS - 2" IPS
52883	RITMO America	Pipe Scraper RTC (Blade Screw)
73566	RITMO America	Pipe Scraper RTC (Replacement Blade)
16550	RITMO America	Pipe Scraper RTC 160 (2" IPS - 6" IPS)
52882	RITMO America	Pipe Scraper RTC 315 (3" IPS - 12" IPS)
Call	RITMO America	Pipe Scraper RTC 710 (14" IPS - 28" IPS)
11022	RITMO America	Round Blade (Peels Pipe Outside Diameter)
40780482	RITMO America	Screw for Round Blade (Peels Pipe Outside Diameter)
52891	RITMO America	Screw for Triangle Blade (Squares Pipe End)
73566	RITMO America	Triangle Blade (Squares Pipe End)
45369	RITMO America	Turbo Peeler 1/2" CTS
38593	RITMO America	Turbo Peeler 1/2" IPS
37512	RITMO America	Turbo Peeler 3/4" IPS
38344	RITMO America	Turbo Peeler 1" IPS
38594	RITMO America	Turbo Peeler 1-1/4" IPS
38596	RITMO America	Turbo Peeler 2" IPS
46617	Plasson	1/2" - 2" IPS Rotational Scraper w/Case
57566	Plasson	1/2" - 4" IPS Rotational Scraper w/Case
46619	Plasson	3" - 8" IPS Rotational Scraper w/Case
46618	Plasson	3/4" - 3" IPS Rotational Scraper w/Case
46620	Plasson	4" - 10" IPS Rotational Scraper w/Case
55473	Plasson	2" - 6" IPS Pipe Re-Rounder Clamp
55474	Plasson	4" - 8" IPS Pipe Re-Rounder Clamp

RITMO TURBO PEELERS

- Made for pipes & fittings 1/2" - 2" IPS
- Great for confined spaces
- Allows fast & precise scraping w/o defects
- 6 different sizes available



PLASSON PIPE RE-ROUNDER CLAMP

- Made for pipes 2" - 8" IPS
- Quick installation
- Multidimensional



RITMO PIPE SCRAPERS

- Prepares PE Pipe 2"-14" IPS
- Composed of a mandrel device to cover all working diameters
- Rotating arm with a blade
- Service tools and transport case included

POLYETHYLENE PIPE TOOLS

ITEM ID	MANUFACTURER	PRODUCT DESCRIPTION
48058	Reed	True Peel, 1/2" CTS SDR7 .090" Wall Mandrel
48010	Reed	True Peel, 3/4" IPS DR11 .095" Wall Mandrel
48059	Reed	True Peel, 1" CTS SDR 11.5 .099" Wall Mandrel
49576	Reed	True Peel, 1" IPS DR7 .188" Wall Mandrel
47942	Reed	True Peel, 1" IPS DR11 .120" Wall Mandrel
48060	Reed	True Peel, 1 1/4" IPS DR11 .151" Wall Mandrel
48035	Reed	True Peel, 2" IPS DR11 .216" Wall Mandrel
15163	Reed	Guillotine Cutter, 2"-4"
15165	Reed	Guillotine Cutter, 3"-8" DIPS & IPS
15164	Reed	Replacement Guillotine Cutter Blade 2"-4"
15166	Reed	Replacement Guillotine Cutter Blade 3"-8"
16236	Reed	Plastic Pipe Saw, 18"
48602	Reed	Ratchet Cutter, 2" Poly/PVC
22608	King Innovation	Ratchet Cutter, 1-1/4" Poly/PVC
46796	King Innovation	Ratchet Cutter, 2" Poly/PVC
23026	King Innovation	Replacement Blades, 2" Ratchet Cutter (6 case)
54377	PLCS	Coiled Pipe Trailer
Call	PLCS	PE Pipe Pullers - various sizes available
16033	Footage	1/2" CTS, 9-11 SDR Pipe Puller
16034	Footage	3/4" IPS, 9-11 SDR Pipe Puller
16035	Footage	1" CTS, 9-13.5 SDR Pipe Puller
16036	Footage	1" IPS, 9-11 SDR Pipe Puller
16037	Footage	1-1/4" IPS, 9-13.5 SDR Pipe Puller
16042	Footage	2" IPS, 9-13.5 SDR Pipe Puller



REED TRUE PEEL

- Removes .009" - .012" peel thickness
- Spring actuated blade gives a complete peel, even on out-of-round pipe
- Observation window indicates the completion of the peel
- External cutting blade allows for clear observation of the peel removal
- Hardened tool steel cutting blade with two cutting edges for twice the life
- Includes a protective carrying case



KING INNOVATION RATCHET CUTTER

- Stainless steel blade for precision cuts
- Cuts up to 2" (PE) Pipe
- Strong and durable cast aluminum body



REED RATCHET CUTTER

- Hardened steel blades
- Cuts up to 2" (PE) Pipe
- Thin blades move smoothly through pipe.



REED GUILLOTINE CUTTER

- Squarest cut available, within 1/8" (3 mm) on medium and high density pipe, due to strong frames and unique blade design
- Saves facing cost: no facing needed for electrofusion, less needed for butt-fusion
- HPC12 cuts PE up to 12" (350 mm)



PLCS PE PIPE PULLER

- Installs in minutes
- Gripper rings maintain connection
- Handles PE pipe with ease



PLCS COILED PIPE TRAILER

- Re-Rounder/Straightener corrects ovality
- Durable Delrin rollers eliminates pipe damage unlike aluminum or steel rollers that can gouge the pipe during dispensing
- Coil control system loads coils from rear of trailer bay
- Coil support: Crossbars twist & lock into position to make a reel that supports the coil
- Solar powered hydraulic lift system
- The coil bay can handle coils up to 54" wide x max. 128" OD x min. 42" ID.
- Quick Release Rear Gate with easy to reach extension handle for easy coil loading.



FOOTAGE PE PIPE PULLERS

- Feature Sharp Tapered Buttress Type Threads
- Permits Faster Insertion in 1 1/4" and Larger Pipe
- Heavy Duty Swivel
- Accepts Most Common SDR Ratings (9 to 13.5)
- Available in Sizes 1/2" CTS through 2" IPS



REED PLASTIC PIPE SAW

- Ergonomic handle
- 11 teeth per inch (more than average)



■ MCELROY 1/2" CTS - 2" IPS SOCKET FUSION MACHINE

- Socket fusion machine
- 120 V
- 2" Heater
- 2" IPS socket fitting holder
- Multiple heater adapter sizes



■ MCELROY SIDEWINDER FUSION MACHINES

- Chain clamp and jaw clamp options
- For 1-1/4" to 4" IPS
- Chain extension kit available for main sizes larger than 4" IPS
- DataLogger compatible

■ SOCKET & SADDLE FUSION

ITEM ID	MANUFACTURER	PRODUCT DESCRIPTION
ASW19201	McElroy	1/2" CTS - 2" IPS Socket Fusion Tooling
ASW00111	McElroy	1,500 PSI Gauge Chain Clamp Saddle Fusion Machine
ASW00112	McElroy	600 PSI Gauge Chain Clamp Saddle Fusion Machine
ASW00131	McElroy	1,000 PSI Gauge Jaw Clamp Saddle Fusion Machine
ASW00132	McElroy	600 PSI Gauge Jaw Clamp Saddle Fusion Machine

■ BUTT FUSION MACHINES

ITEM ID	MANUFACTURER	PRODUCT DESCRIPTION
CTS07901	McElroy	Mini-MC 1" IPS Max Pipe Size Fusion Machine
ACTS23301	McElroy	1LC 1/2" CTS - 1" IPS Fusion Machine
A217201	McElroy	2LC 1/2" CTS - 2" IPS Fusion Machine
A200101	McElroy	2CU 1/2" CTS - 2" IPS Fusion Machine
A430101	McElroy	Pit Bull 14, 1" IPS - 4" DIPS Fusion Machine
A441501	McElroy	Pit Bull 14 Productivity Package, 1" IPS - 4" DIPS Fusion Machine
A708501	McElroy	Pit Bull 26 180mm Max Pipe Size Fusion Machine
A708502	McElroy	Pit Bull 26 6" DIPS Max Pipe Size Fusion Machine
A708402	McElroy	Pit Bull 26 Productivity Package, 6" DIPS Fusion Machine



■ MCELROY 1LC FUSION MACHINE

- 1/2" CTS - 1" IPS fusion machine
- Hand-operated
- Compact and durable
- Narrow clamp design for precise pipe alignment



■ MCELROY 2LC FUSION MACHINE

- 1/2" CTS - 2" IPS fusion machine
- Hand-operated
- Compact and durable
- Capable of fusing tees, ells, and other fittings



■ MCELROY 2CU FUSION MACHINE

- 1/2" CTS - 2" IPS fusion machine
- Hand-operated
- Compact and durable
- Sidewall capabilities for 1/2" to 2" branch saddles and tapping tees
- Butt fuses a variety of fittings and pipe



■ MCELROY MINI-MC FUSION MACHINE

- Makes small diameter butt fusion projects simple
- Compact, lightweight, highly reliable, accurate and rugged
- Perfect for joining 1/2" CTS to 1" IPS service sizes
- Only one operator
- Works in the most difficult conditions



■ MCELROY PIT BULL 14 FUSION MACHINE

- 1" - 4" DIPS fusion machine
- Hand-operated
- Productivity Package available
- Compact, lightweight and durable



■ MCELROY PIT BULL 26 FUSION MACHINE

- 2" IPS - 6" DIPS fusion machine
- Productivity Packages available
- Hand-operated
- Compact and durable

McElroy's full line available! Call us if you need a product not listed here.

BUTT FUSION MACHINES

ITEM ID	MANUFACTURER	PRODUCT DESCRIPTION
DLP0857716	McElroy	DataLogger 7 Fusion Joint Data Collection & Analysis
AT805501	McElroy	Pit Bull 28 2" - 8" DIPS Fusion Machine
AT805502	McElroy	Pit Bull 28 2" - 8" DIPS Combination Unit
AT1213002	McElroy	Pit Bull 412 4" IPS - 12" DIPS Fusion Machine
A860805	McElroy	Rolling 28 2" IPS - 8" DIPS Fusion Machine
A860801	McElroy	Rolling 28 2" IPS - 8" DIPS Combination Unit Fusion Machine
AT1213002	McElroy	Rolling 412 4"-12" PE Fusion Machine
AT812101	McElroy	TracStar 28 Series 2 High Force 2" IPS - 8" IPS Fusion Machine
AT812102	McElroy	TracStar 28 Series 2 High Force 2" IPS - 8" IPS Combo Unit
AT1223602	McElroy	TracStar 412 4" IPS - 12" DIPS Fusion Machine



■ MCELROY DATALOGGER

- Document fusion joint, operator and machine details including GPS locations
- Capture electrofusion, squeeze off techniques and pressure testing data
- IP68-rated rugged base tablet is waterproof, dust proof and shock proof
- Easy, simple-to-follow guided workflow
- Automatic data backup to included SD card



■ MCELROY PIT BULL 28 FUSION MACHINE

- 2" - 8" DIPS fusion machine
- Combination Unit available
- Hand-operated
- Compact and durable
- Lightweight and rugged



■ MCELROY PIT BULL 412 FUSION MACHINE

- 4" IPS - 12" DIPS fusion machine
- Patented Centerline Guidance System
- Industry standard hydraulic control system
- DataLogger compatible



■ MCELROY TRACSTAR 28 SERIES 2 FUSION MACHINE

- 2" IPS - 8" DIPS fusion machine
- Combination Unit available
- Patented Centerline Guidance System
- Industry standard semi-automatic hydraulic control system
- DataLogger compatible



■ MCELROY ROLLING 28 FUSION MACHINE

- 2" IPS - 8" DIPS fusion machine
- Combination Unit available
- Patented Centerline Guidance System
- Industry standard semi-automatic hydraulic control system
- DataLogger compatible



■ MCELROY TRACSTAR 412i SERIES 2 FUSION MACHINE

- 4" IPS - 12" DIPS fusion machine
- Self-contained, self-propelled, all-terrain
- Diesel engine powered
- On-board generator for powering heater
- DataLogger compatible
- Industry-standard semi-automatic hydraulic control system



■ MCELROY ROLLING 412 FUSION MACHINE

- 8" - 12" PE fusion machine
- Patented Center Line Guidance system delivers equal distribution of force around the pipe ends
- Semi-automatic hydraulic control system
- Powerful hydraulic pipe lift
- DataLogger compatible



ELECTROFUSION MACHINES & ACCESSORIES

ITEM ID	MANUFACTURER	PRODUCT DESCRIPTION
59785	Milwaukee Tool	MX Fuel Electrofusion Processor
59830	Georg Fischer	B.O.S.S. Lithium Pro Electrofusion Machine w/Scanner & GPS
24067	Georg Fischer	B.O.S.S. Lithium Pro Electrofusion Machine
36448	Georg Fischer	MSA-340 Electrofusion Machine
73875	Georg Fischer	EF Tip Sets MSA 340 4.7MM
45466	RITMO America	Elektra Light (1/2" IPS - 6" IPS)
52483	RITMO America	Elektra S (1/2" IPS -12" IPS) w/GPS
Call	RITMO America	Elektra M (1/2" IPS -20" IPS)
Call	RITMO America	Elektra XL (1/2" IPS -63" IPS)
49541	RITMO America	Elektra 500 (1/2" IPS - 20" IPS)
46605	Century	125v, 30amp, Electrofusion Processor Extension Cord

MILWAUKEE TOOL MX FUEL ELECTROFUSION PROCESSOR

- Up to 40% Lighter, Easiest Transport
- Instant Setup, No Generators
- Fusing Simplified w/ 15' Leads and Wireless Barcode Scanner
- Fuse up to 8" Couplings and 12" Saddles
- ONE-KEY™ Compatible for Reporting, Tracking, and Managing
- 15' Leads (Included) for Best Access
- Field Replaceable Fusion Tips, Leads, Barcode Scanner, and Screen Protector
- Includes: 4.0mm and 4.7mm Fusion Tips
- Warranty: 2 Years Tool, 2 Years Battery/Charger



GFCP B.O.S.S. LITHIUM PRO

- Splash-proof and highly shock resistant - built for any job site condition
- Perform fusions without a generator
- Compatible with all manufacturers' fittings (8-48 volts)
- Intuitive user interface requires minimal training
- Operates efficiently in barcode, resister ID and manual modes
- Internal memory stores 1,000+ fusions and installation conditions
- USB connectivity for easy data download and traceability
- Smart Scanner, with GPS, standard with the unit



GFCP MSA-340

- Made of high quality components
- Prevention of electrical damage
- Water resistant design to IP54 standards
- Full traceability including GPS
- Intuitive user interface
- Clear and explicit error messages
- USB interface for fusion record downloading and firmware updates
- New software is able to decipher ASTM barcodes and fusion data can be saved into PDF or CSV formats
- 3 operating modes: Auto-ID, Barcode and Manual
- Selectable menu language
- Customized traceability options to fit your work flow
- Guardian™ Auto-lock rental function



RITMO ELEKTRA S, M, & XL

- Elektra S: Working range of 1/2" - 12" IPS
- Elektra M: Working range of 1/2" - 20" IPS
- Elektra L: Working range of 1/2" - 63" IPS
- High resistance technopolymer shell
- "Defender" protection system against dust and rain
- Lifting handle and cable wrapping
- In-built memory of 4000 welding report
- Transferable data
- Only available through EGW in AR, CO, IL, KS, KY, LA, MO, MS, NM, OK, TN, & TX

CENTURY EF PROCESSOR EXTENSION CORD

- 50' Long
- 8 Gauge Copper Wire
- 3 Conductors
- Black SOOW Jacket (Oil & Weather Resistant for Extra Hard Service)
- 125v, 30amp, NEMA Twist Lock L5-30P Male Plug & L5-30C Female Connector



STEEL PIPE TOOLS

ITEM ID	MANUFACTURER	PRODUCT DESCRIPTION
18262	Mebco	X-pander plug Type C 1/2" CTS
18260	Mebco	X-pander plug Type C 1/2" IPS
18264	Mebco	X-pander plug Type C 3/4" IPS
18257	Mebco	X-pander plug Type C 1" IPS
18259	Mebco	X-pander plug Type C 1-1/4" IPS
28260	Mebco	X-pander plug Type C 1-1/2" IPS
18261	Mebco	X-pander plug Type C 2" IPS
18265	Mebco	X-pander plug Wrench, 7"
18266	Mebco	X-pander plug Wrench, 12"
10003	Reed	Pipe Cutter 2", Steel
12350	Reed	Pipe Cutter 2", Steel w/Guides
14891	Reed	Pipe Cutter, Steel, Hinged, 2"-4"
50756	Reed	Pipe Cutter, Heavy Steel, Hinged, 4"-6"
14902	Reed	Pipe Cutter, Heavy Steel, Hinged, 6"-8"
15153	Reed	Cutter Wheels, Cast Iron (2 pk)
12493	Reed	Cutter Wheels, Steel & Stainless Steel, (2 pk)
10026	Reed	Pipe Reamer 2"
16298	Reed	R12 NPT 1/2"-2" Threader Set with BOX
14513	Reed	Drophead - 1" NPT Right-Hand Complete
05626	Reed	Drophead - 1/2" NPT for DHR12
14511	Reed	Drophead 1-1/2" NPT Right-Hand Complete
14512	Reed	Drophead 1-1/4" NPT Right-Hand Complete
40065	Reed	Drophead 2" NPT Right-Hand Complete
14515	Reed	Drophead 3/4" NPT Right-Hand Complete
14510	Reed	Enclosed Drophead Threader Set 1/4"-1" w/Case



MEBCO X-PANDER PLUGS

- Cork is made of SBR rubber
- All steel parts are zinc-plated
- Plugs are usable with all wrench sizes



REED PIPE REAMER

- Self-feeding, spiral reamer starts easily into pipe
- Dual pawls for extra tooth engagement
- Durable, hardened tool steel cone on pipe reamer for maximum cutting life
- Manual tool designed for pipe reaming efficiency



REED HINGED CUTTER

- Needs only 4" (102 mm) of clearance around pipe
- Efficient handle swing of only 90° to 110°
- Opens with hinge to place cutter around the pipe
- Can be used anywhere - in the ditch, underwater, overhead, in racks of pipe!



REED 2" PIPE CUTTER

- Short handle for cutting in close quarters
- Wide rollers work to minimize burrs by smoothing the cut area
- Rollers are designed to aid in tracking
- Cut steel, stainless steel, galvanized or cast iron pipe with designated REED cutter wheel



REED 2" PIPE CUTTER WITH GUIDES

- Spring-tensioned guide bars provide square alignment for cutters
- Guide makes the cutter more stable on pipe
- Cutters work on steel, stainless steel, galvanized steel or cast iron pipe, depending on the installed cutter wheels



REED ENCLOSED RATCHET THREADER SET

- High quality dies and dropheads made on CNC machines
- Dies are alloy steel, heads are malleable iron
- Sets are the lightest drophead sets available, size for size



REED R12+ DROPHEADS

- R12+ Dropheads ship with longer lasting, high speed steel dies whereas competitor uses alloy dies
- Save time as R12+ dropheads ship with dies already installed.

STEEL PIPE TOOLS

ITEM ID	MANUFACTURER	PRODUCT DESCRIPTION
22161	Footage	C165 Squeeze Tool, 3/4"-2", Steel Risers, Hydraulic
22162	Footage	C170 Squeeze Tool, 1/2"-2", Steel, Hydraulic
24999	Footage	C365 Squeeze Tool, 2"-6", Steel, Hydraulic
25007	Footage	C812S Squeeze Tool, 8"-12", Steel, Hydraulic
19645	Mustang	PS-62B Emergency Squeeze Tool 2" IPS
45890	Mustang	PS-75 Emergency Squeeze Tool 2" IPS



FOOTAGE C165

- For 3/4" - 2" risers
- Carrying handle
- Optional wheel kit



FOOTAGE C170

- For 1/2" - 2" diameter steel pipe



FOOTAGE C365

- For 3" - 6" diameter steel pipe



FOOTAGE C812S

- For 8" - 12" diameter steel pipe



MUSTANG PS-62B EMERGENCY SQUEEZE TOOL

- Compact, hand-operated, emergency squeeze tool
- Lightweight, self-contained, & hydraulic
- Shut down up to 2" IPS Schedule 40 coated pipe, whether or not the pipe jacket is removed
- For increased safety, any over-pumping activates a unique Pressure Relief Bypass System without reducing pressure on the pipe itself
- Weighs 29lbs
- 18 Tons of force



MUSTANG PS-75 EMERGENCY SQUEEZE TOOL

- Rapid closure is achieved with short pump strokes that deliver 34-tons of controlled force in a matter of seconds
- Incorporates newly redesigned rounded jaws which lessen the chances of severing brittle pipe or pipe of unknown chemistry
- For increased safety, any over-pumping activates a unique Pressure Relief Bypass System without reducing pressure on the pipe itself
- Weighs 49lbs
- 34 tons of force

STEEL PIPE TOOLS

ITEM ID	MANUFACTURER	PRODUCT DESCRIPTION
Call	PLCS	Safe-T-Stopper
Call	PLCS	Safe-T-L-Stopper
48970	PLCS	1/2" - 1-1/4" Meter Valve Changer Kit
48971	PLCS	1-1/2"-2" Meter Valve Changer Kit
49460	PLCS	Rubber, 1/2"
49417	PLCS	Rubber, 3/4"
Call	PLCS	Rubber, 1"
49711	PLCS	Rubber, 1-1/4"
54422	PLCS	Rubber, 1-1/2"
54423	PLCS	Rubber, 2"
50710	PLCS	Inner Shaft, 1/2"-3/4"
48420	PLCS	Inner Shaft, 1"
50080	PLCS	Outer Shaft, 1/2"-3/4"
50079	PLCS	Outer Shaft, 1"
50712	PLCS	Outer Shaft, 1-1/4"
Call	PLCS	End Plate, 1/2"
50708	PLCS	End Plate, 3/4"
50475	PLCS	End Plate, 1"
50709	PLCS	End Plate, 1-1/4"



PLCS SAFE-T-L-STOPPER

- Removes troublesome elbow swing services within 30 minutes
- Simple clamp-on assembly
- No blowing gas, keeping workers safe
- No need for expensive by-pass operations
- Compact, only need a standard excavation



PLCS SAFE-T-STOPPER

- One Worker Operation
- Remove/Replace Service Tees in One Minute
- Only One 9/16" Wrench Required
- Lightweight, Durable & Safe
- No Blowing Gas



PLCS METER VALVE CHANGER

- Enhances public and worker safety (No blowing gas)
- Fast and easy valve change out, customers can be back online in little time
- Saves the cost of entire service renewal
- No need to excavate for a simple leaking meter valve



**RATED
AT 100
PSIG!**

■ PRESSURE & MEASUREMENT

ITEM ID	MANUFACTURER	PRODUCT DESCRIPTION
Call	BelGas	P140 Pressure Regulator
Call	BelGas	P143 Pressure Regulator
Call	BelGas	P200 Pressure Regulator
Call	BelGas	P300 Pressure Regulator



■ BELGAS P140

- Versatile
- Control Accuracy
- Compact Design
- Applicable to a wide range of gaseous fluids, including air, natural gas and propane
- Can be used as a LP regulator.



■ BELGAS P143

- Versatile
- Control Accuracy
- Compact Design
- Also available in a low pressure cut off - LPCO - version



■ BELGAS P200

- Minimize Sudden Downstream Load Change
- Wide Pressure Ranges
- P202 has internal relief valve for overpressure protection
- Compressors
- Gas Engines
- Service Regulators



■ BELGAS P300

- Minimize Sudden Downstream Load Change
- Wide Pressure Ranges
- P302 has internal relief valve for overpressure protection
- Compressors
- Gas Engines
- Service Regulators

PRESSURE & MEASUREMENT

ITEM ID	MANUFACTURER	PRODUCT DESCRIPTION
Call	BelGas	P289 Back Pressure Regulator
Call	BelGas	P627 High Flow Gas Regulator
Call	BelGas	P99 Pressure Reducing Regulator
Call	BelGas	P1808 Pilot-Operated Relief Valve or Backpressure Regulator



BELGAS P289

- Throttling Type Relief
- Compact
- Tight Shutoff
- High Flow Rates
- Reliability Due to Simplicity
- Fuel Gas Relief
- Gas Gathering Relief



BELGAS P627

- Wide Range of Flow Capacities
- Durable Powder Coated Exterior
- Installation Versatility
- NACE Construction Available
- Farm Tap Regulation
- Monitoring Regulators
- Gate Regulators
- Fuel Gas
- Gas Gathering
- Pressure Reduction



BELGAS P99

- 5 Pilot choices for low to extra high pressure
- Up to 1,000 psi inlet when fitted with a P39 reducing regulator
- Loading pressure bleeds downstream - no atmospheric relief
- City / District gate operation
- Commercial buildings
- Boilers, furnace, oven
- Plant air service



BELGAS P1808

- Compact Design
- Pilot Operated
- High Flow Capacity
- Gas or Liquid Service
- Gas Separators
- Distribution Relief Device

■ PRESSURE & MEASUREMENT

ITEM ID	MANUFACTURER	PRODUCT DESCRIPTION
Call	Flow Meter Group	Ultrasonic Meter Series
Call	Flow Meter Group	Rotary Meter Series
Call	Flow Meter Group	Volume Corrector Series
Call	Itron	Intelis Gas Meter
Call	Itron	Cellular 500G Module



■ TMCO TRUESHOT ULTRASONIC METER SERIES

- Flow Range 140—490,000cfh
- Diameters 2" to 12"
- Pressure Ratings ANSI 150 to ANSI 600
- MID & OIML Approved
- AGA 9 Compliant
- Intrinsically Safe
- Low Power Consumption
- Coded Broad Band Continuous Wave
- Titanium Sensors For All Pressures
- No Reflection Path
- Only available through EGW in AR, MO, KS, NM, OK, & TX



■ FMG ROTARY METER SERIES

- 1-1/2"-6"
- ANSI-150
- 817-3,000 Acfh
- MID, PED, ATEX approved
- Cartridge design
- Low sensitivity to installation stress
- Integrated thermo wells
- Tamper proof index
- Class 1 Or Class 1.5
- >>1:160 Range
- Only available through EGW in AR, MO, KS, NM, OK, & TX



■ FMG VOLUME CORRECTOR SERIES

- 6 pressure or temperature transducers
- 12 digital inputs
- 4 digital outputs
- 6 analog inputs
- 4 analog outputs
- Only available through EGW in AR, MO, KS, NM, OK, & TX



■ ITRON INTELIS METER

- Compact size
- Only weighs 4 ½ pounds
- Integrated safety shutoff valve
- High flow alarm
- Air detection alarm
- High temperature alarm
- Embedded RF (ERT) communication
- +/- 0.5% accuracy utilizing ultrasonic measurement
- Intrinsically safe
- Retrievable TC and NTC volume
- Whisper quiet operation
- Only available through EGW in AR, NM, OK, & TX



■ ITRON CELLULAR 500G MODULE

- Operates in bubble-up mode and does not require a license from the Federal Communications Commission (FCC) or Industry Canada (IC)
- Designed for a 20-year battery life (cellular or RF) to ensure low operating and maintenance costs
- Module design makes installation fast and easy, especially when gas is flowing through the meter
- Only available through EGW in AR, NM, OK, & TX

PRESSURE & MEASUREMENT

ITEM ID	MANUFACTURER	PRODUCT DESCRIPTION
Call	Itron	Automated Meter Reading (AMR)
Call	Itron	100G DLT Datalogging ERT Module
Call	Itron	MC3 Mobile Collection System



ITRON AUTOMATED METER READING

- Remotely read usage data to improve service
- Protect against revenue loss
- Cut costs and streamline field operations with a variety of deployment options
- Most dominant player in the AMR/AMI market
- More active systems installed by far than any other AMR/AMI competitor
- Industry leading 20 year battery life
- Compatible with more meter brands than any other AMR/AMI vendor
- Offer a truly upgradeable system. Walk by to drive by to fixed network without having to install new AMR/AMI modules.
- All new equipment is designed to be backwards compatible so you're stranded as new technology evolves
- Best read rates and lowest failure rates in the industry
- Made in the USA
- Superior customer support with dedicated product and software specialists
- For gas systems, Itron is the only vendor to offer new 500G products for Cathodic Protection monitoring, remote gas shutoff, direct partners with Honeywell for electronic volume correctors and pressure recorders to essentially allow for a very cost effective SCADA like system. Working with Heath to develop a Methane sensor to be used with their AMR/AMI system to help detect leaks at critical points in the customers system.
- Offer enhanced network security with the new 100G DLS ERTS.
- Only available through EGW in AR, NM, OK, & TX



ITRON 100G DLT DATALOGGING ERT MODULE

- Utilities currently reading the SCM message from the 100G DLN can use the 100G DLT without any upgrades needed for programming or meter reading
- Can be read alongside legacy gas ERT modules with Itron's 900 MHz ChoiceConnect® handheld, mobile and fixed network data collection solutions
- Continually stores and updates the last 40 days of hourly interval data which can be read via handheld, mobile and fixed network
- Operates in bubble-up mode and does not require a license from the Federal Communications Commission (FCC)
- Designed for a 20-year battery life regardless of data collection solution to ensure low operating and maintenance costs
- Module design makes installation fast and easy, especially when gas is flowing through the meter
- Made in the USA
- Only available through EGW in AR, NM, OK, & TX

ITRON MC4 MOBILE COLLECTION SYSTEM

- Collect gas, water and electricity interval data
- Read both "bubble-up" and "wake-up" endpoints
- Two-way radio communications for remote service dis/connect
- Simultaneous reading capability for multiple routes
- GPS mapping for reduced drive times
- Out-of-route read collection to reduce special read visits
- Exceptional meter reading performance in a small size
- Wired or wireless data transfer using any Internet connection
- Only available through EGW in AR, NM, OK, & TX

■ PRESSURE & MEASUREMENT

ITEM ID	MANUFACTURER	PRODUCT DESCRIPTION
Call	PLCS	50HTK01 Meter By-pass Kit
Call	PLCS	50BK22 Meter By-pass Kit
Call	PLCS	50BK33 Meter By-pass Kit



■ 50HTK01

- 182 cuft
- 85 lbs.
- 8 hours of gas



■ 50BK22

- 27 cuft
- 26 lbs.
- 1-2 hours of gas



■ 50BK33

- 40 cuft
- 43 lbs.
- 3-4 hours of gas

■ PLCS METER BY-PASS KITS

- Customer stays on while work is complete
- Easy to use, little training needed
- Advanced regulator used in system incorporating integral pressure relief valve for added safety
- Carrying box designed for use with accessory folding cart for easy transport to meter
- Tubular steel construction for light weight and high strength
- System designed to protect all gauges and other components from damage while remaining visible to operator.
- System is adaptable for use with various bypass methods
- Powder coated OSHA Safety Orange for high visibility

EGW COMPLIANCE SERVICES
THIRD PARTY OPERATOR QUALIFICATION

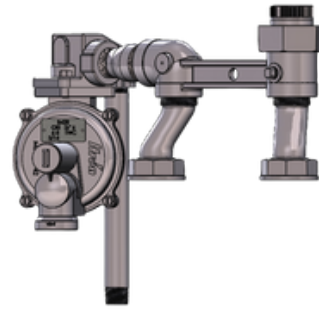
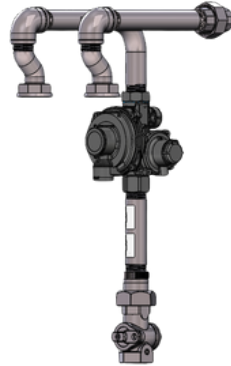
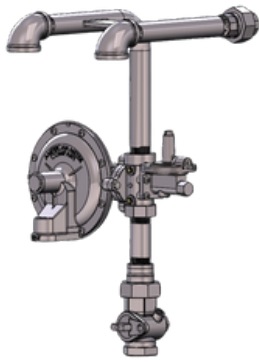


EGW Utility Solutions is a full-service, third-party provider of compliance solutions for clients in the Natural Gas industry. Our mobile workforce can meet these needs on the customer's site or at our facility in Carrollton, Texas.

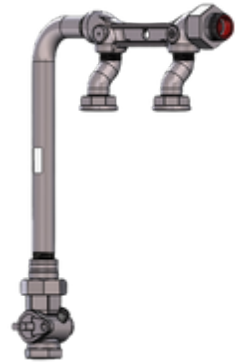
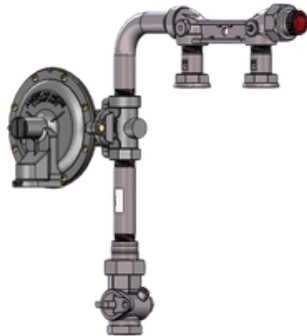
- **Task Specific Training & Test Proctoring**
- **OQ Performance (Field) Evaluations**
- **Company Plan/Program Reviews**
- **Industrial Training Services (ITS) Approved Provider**
- **Energy WorldNet (EWN) Approved Training & Assessment Center (ATAC)**
- **OQ Training and Evaluations**
- **OQ Manual Review**
- **Fusion Training & Certification**
- **Structural & Pipeline Welding Training & Certification**
- **Third Party Fusion Evaluations**
- **Third Party Destructive Testing**
- **Bilingual Instruction Available**

■ **UPSCO RESIDENTIAL METER SETS - 200/250 CLASS DIAPHRAGM METERS**

MEDIUM PRESSURE BARS AND PREFAB SETS



*Standard
& Custom
Designs
Available!*



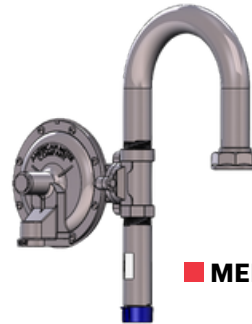
■ **BYPASS METER BAR**

■ **STANDARD METER BAR**

COINED END METER LOOPS & METER SETS



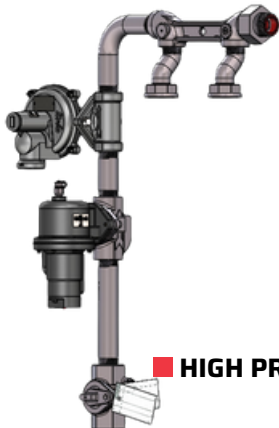
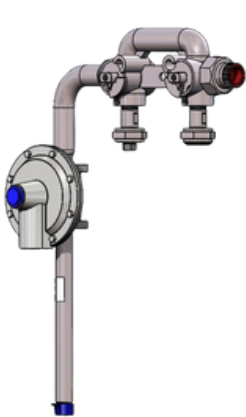
■ **LOW PRESSURE COINED END BAR**



■ **MEDIUM PRESSURE SINGLE**

■ **UPSCO RESIDENTIAL METER SETS - 400 CLASS DIAPHRAGM METERS**

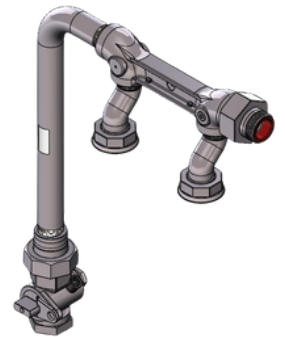
MEDIUM PRESSURE PREFABRICATED STANDARD AND BYPASS BARS



■ **HIGH PRESSURE**



■ **RESIDENTIAL MEDIUM PRESSURE SINGLE**



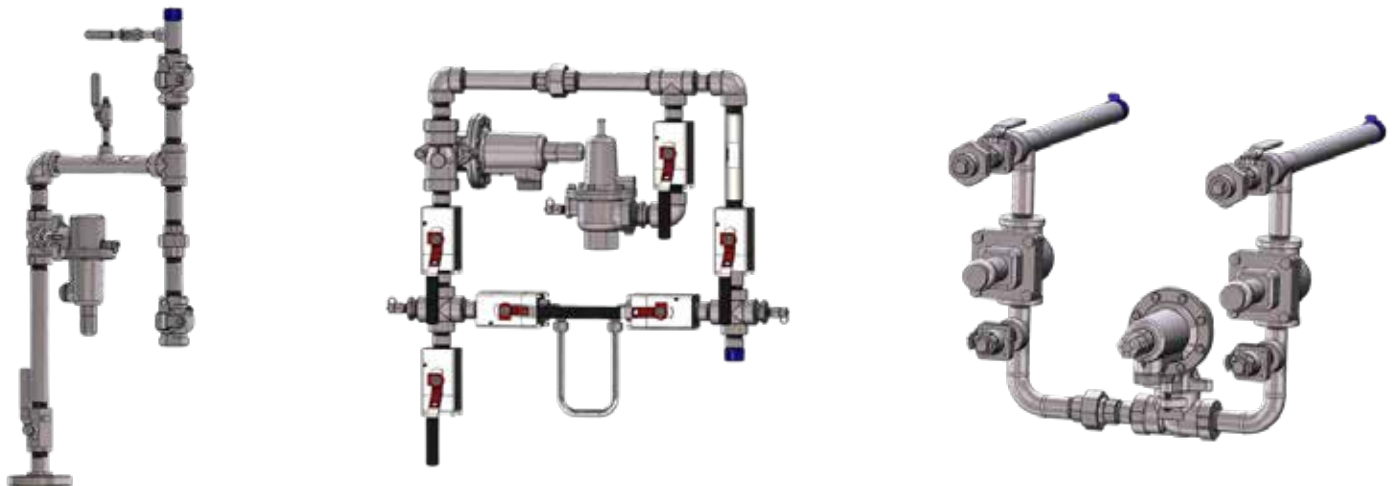
■ **UPSCO COMMERCIAL METER SETS - 600/800/1000 CLASS DIAPHRAGM METERS**



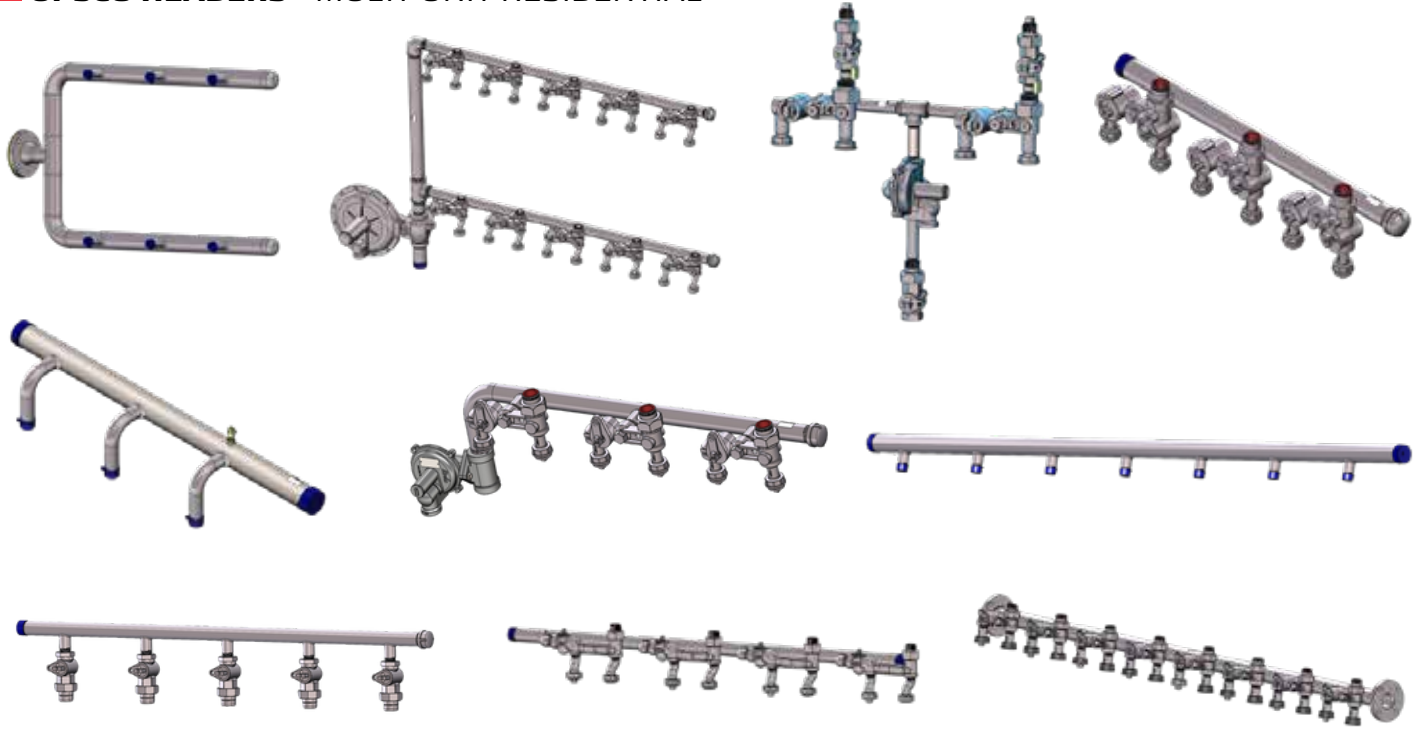
■ **UPSCO COMMERCIAL METER SETS - ROTARY AND TURBINE METER SETS & SPOOLS**



■ **UPSCO FARM TAPS**



■ **UPSCO HEADERS - MULTI-UNIT RESIDENTIAL**



■ **UPSCO BRACKET KITS**



■ **UPSCO PIPE STANDS**





TINKER & RASOR CPV-4 DIGITAL VOLTMETER

- Hand Held Instrument
- LCD digit display
- 20 Meg Ohm Impedance
- Filter AC Interference
- Heavy Duty Coiled Leads with Clamps
- Works with T&R Reference Electrodes: 6A, 6B, 8A, 8B
- Storage Case



TINKER & RASOR 8B SULFATE ELECTRODE HALF CELL

- Copper-copper sulfate half cell electrode
- 1.25" x 8", Pointed Tip
- Strong body for outdoor use
- High purity copper and copper sulfate



TINKER & RASOR RF-IT ABOVE GROUND INSULATOR TESTER

- Hand Held Instrument
- Easily locates shorted bolts, replaces bolt to bolt
- Use on structure with or without CP
- Uses Radio Frequency to test effectiveness of above ground insulators
- Auto Shut-Off feature

CATHODIC PROTECTION PRODUCTS

ITEM ID	MANUFACTURER	PRODUCT DESCRIPTION
45170	Tinker & Rasor	CPV-4 Digital Voltmeter
20423	Tinker & Rasor	8-B Sulfate Electrode Half Cell
52626	Tinker & Rasor	VC-2 Voltmeter Verifier
54852	Tinker & Rasor	RF-IT Above Ground Insulator Tester
Call	Tinker & Rasor	CS-10 Portable Current Supply 10 AMP Output
Call	Tinker & Rasor	SR-2 Soil Resistivity Meter
10984	Tinker & Rasor	Copper Sulfate crystals
35325	Tinker & Rasor	Anti-Freeze Solution for the 8-B, 32 oz
45052	Tinker & Rasor	Replacement tips for the 8-B, Saturated
52888	Tinker & Rasor	Repair Kit, 2 Replacement Tips, 2 Vinyl Covers for Half Cell Tip, 2 o-rings, knurled nut 1/4-20 thread, 1 4oz cupric sulfate crystals, 1 abrasive pad for cleaning copper rod



TINKER & RASOR CS-10 PORTABLE CURRENT SUPPLY

- Adjustable DC Output from 0 to 10 Amps
- Input 15v DC Max
- Continuous or interrupted output
- LCD display of output, 1mA resolution
- Portable
- Lightweight (6 lbs. 2.72kg)
- MIL-SPEC case



TINKER & RASOR SR-2 SOIL RESISTIVITY METER

- 4.5 Digital Display
- 0.01 Ω to 3.3 M Ω range
- Push button operations
- DL-1 Data logger connection
- Low battery indicator
- Internal rechargeable battery (12V)
- Battery charger included
- MIL-SPEC Instrument enclosure
- Soil boxes available (Sold Separately)



TINKER & RASOR VC-2 VOLTMETER VERIFIER

- Portable, battery operated
- Highly accurate DC output
- Verify any DC Voltmeter
- Battery test LED
- Works with T&R

TAPPING & PLUGGING ACCESSORIES

ITEM ID	MANUFACTURER	PRODUCT DESCRIPTION
T-101 Holesaw Holder Pilot Drills		
11851	TD Williamson	T-101 Holesaw Holder Pilot Drills 2" & 3" Size On Size, Pilot
45142	TD Williamson	T-101 Holesaw Holder Pilot Drills 2" Other Than SOS
48908	TD Williamson	T-101 Holesaw Holder Pilot Drills 4" Size On Size
11852	TD Williamson	T-101 Holesaw Holder Pilot Drills 4" Other Than SOS
Holesaws for T-101 Holder Pilot		
50400	TD Williamson	1-1/4" Holesaw for T-101 Holder Pilot, (1-15/16" Actual)
11848	TD Williamson	2" Holesaw for T-101 Holder Pilot,, (1-7/8" Actual)
50401	TD Williamson	3" Holesaw for T-101 Holder Pilot,, (2-7/8" Actual)
50402	TD Williamson	4" Holesaw for T-101 Holder Pilot,, (3-7/8" Actual)
T-101 Spare U-Wires for 1-1/4-4" Holder Pilot Drills		
11813	TD Williamson	T-101 Spare U-Wires For 1-1/4-4" Holder Pilot Drills
Shortstopp II Completion Plug Holders		
40760	TD Williamson	Shortstopp II 2" Solid Completion Plug Holder, (Square Drive)
11881	TD Williamson	Shortstopp II 3" Completion plug Holder, Spring Loaded
Sealing Elements, Size on Size (Cups)		
30063	TD Williamson	1-1/4" Sealing Elements, Size on Size (Cups)
30065	TD Williamson	2" Sealing Elements, Size on Size (Cups)
11876	TD Williamson	2" Thinwall Sealing Elements, Size on Size (Cups)
30066	TD Williamson	3" Sealing Elements, Size on Size (Cups)
11277	TD Williamson	3" Thinwall Sealing Elements, Size on Size (Cups)
23235	TD Williamson	4" Sealing Elements, Size on Size (Cups)
23234	TD Williamson	4" Thinwall Sealing Elements, Size on Size (Cups)
11272	TD Williamson	6" Sealing Elements, Size on Size (Cups)
11279	TD Williamson	6" Thinwall Sealing Elements, Size on Size (Cups)
11273	TD Williamson	8" Sealing Elements, Size on Size (Cups)
50421	TD Williamson	8" Thinwall Sealing Elements, Size on Size (Cups)
Sealing Elements, Reduced Branch (Cups)		
50423	TD Williamson	3 x 4 150# Std Wall Sealing Elements, Reduced Branch (Cups)
50424	TD Williamson	4 x 6 150# Std Wall Sealing Elements, Reduced Branch (Cups)
Chip Sweeps		
50627	TD Williamson	1-1/4" Chip Sweep
50626	TD Williamson	1-1/2" Chip Sweep
50628	TD Williamson	2" Chip Sweep
22119	TD Williamson	3" Chip Sweep
48359	TD Williamson	4" Chip Sweep
Shortstopp Weld Fitting		
11834	TD Williamson	2" Shortstopp Weld Fitting
11837	TD Williamson	3" Shortstopp Weld Fitting
11846	TD Williamson	4" Shortstopp Weld Fitting
Shortstopp 3-way tee		
11833	TD Williamson	2" Shortstopp 3-way tee
11836	TD Williamson	3" Shortstopp 3-way tee
11845	TD Williamson	4" Shortstopp 3-way tee



TD WILLIAMSON T-101 HOLESAW HOLDER



TD WILLIAMSON T-101 HOLESAWS



TD WILLIAMSON T-101 U-WIRES



TD WILLIAMSON SHORTSTOPP 3-WAY TEES



TD WILLIAMSON SHORTSTOPP WELD FITTINGS



TD WILLIAMSON SEALING CUPS



SENSIT GOLD G3

- **Faster and More Accurate Gas Leak Detection**
- **Detect up to Five Gases Simultaneously**
- **Intrinsically Safe with IP64 Certification**
- **Durable rubberized housing**
- **2-Speed Pump for Fast Sampling**
- **Flashlight**
- **LED Warning Light**
- **Bluetooth Capability**
- **Multi-Language Support**
- **Easy-to-Read Display**
- **Unparalleled Logging and Mapping Capabilities**
- **Only available through EGW in AR, LA, MS, OK, & TX**



SENSIT GOLD G2 EX/TC CGI

- **Intrinsically Safe Design (Certified)**
- **Internal Pump - Fast Sampling**
- **Audible "Tick" Control - Fast Leak Location**
- **Lowest Cost, Long Life Sensors**
- **LED Warning Lights**
- **Bright Graphic Display**
- **Loud Audible Alarm**
- **Battery Strength Indicator**
- **Internal Memory**
- **Exceptional Water Protection**
- **Only available through EGW in AR, LA, MS, OK, & TX**

LEAK DETECTION-SURVEY EQUIPMENT

ITEM ID	MANUFACTURER	PRODUCT DESCRIPTION
59063	Sensit	Gold G3 TC EX/TC/CO LEL %VOL CO
56669	Sensit	Gold G3 4 Gas/TC LEL/%Vol/CO/O2/H2S
56200	Sensit	Gold G3 TC, EX/TC/CO/O2
58480	Sensit	Gold G3 EX/TC LEL/%VOL
22601	Sensit	Gold G2 EX/TC (LEL, % Vol)
22749	Sensit	Gold G2 TC - LEL/%Vol/CO
48540	Sensit	Gold G2 TC - LEL/%Vol/H2S
24221	Sensit	Gold G2 TC - LEL/%Vol/CO/O2
22835	Sensit	Gold G2 TC - LEL/%Vol/CO/O2/H2S
16032	Sensit	Sensor EX (LEL) (2611 Silver 4 Prong)
16166	Sensit	Sensor Cap w/ "O" Rings (Single)
16167	Sensit	Luer Connector
13329	Sensit	Extension Adapter
24076	Sensit	Hard Carrying Case
13260	Sensit	32" Heavy Duty Fiberglass Bar Hole Probe w/Hose
13380	Sensit	Purge Probe (Brass) w/Hose
16168	Sensit	Hose Assembly (24")
42347	Sensit	Plunger Bar 42"
24515	Sensit	Hot Air Probe (Flue Gas)
45231	Sensit	Telescopic Survey Probe
13376	Sensit	Confined Space Probe (10") w/Hose
24738	Sensit	Dirt & Water Filter Assembly
13216	Sensit	Replacement Cartridge for Dirt & Water Filter
13328	Sensit	Hydrocarbon Filter Kit
13329	Sensit	Adapter for Hydrocarbon Filter
13271	Sensit	Inline "Mini" Hydrocarbon Filter Kit
Call	Sensit	Calibration Gases

SENSIT GOLD ACCESSORIES

Sensor EX (LEL) (2611 Silver 4 Prong)	Sensor Cap Replacement w/'O' Rings	Luer Connector	Extension Adapter	Hard Case
Hot Air Probe (Flue Gas)	32" Heavy Duty Fiberglass Bar Hole Probe w/Hose	Brass Purge Probe w/Hose	24" Hose Assembly	
42" Plunger Bar	Telescopic Survey Probe	10" Confined Space Probe w/Hose	Dirt & Water Filter Assembly	
Dirt & Water Filter Replacement Cartridge	Hydrocarbon Filter Kit	Hydrocarbon Filter Adapter	Inline "Mini" Hydrocarbon Filter Kit	

LEAK DETECTION-SURVEY EQUIPMENT

ITEM ID	MANUFACTURER	PRODUCT DESCRIPTION
49580	Sensit	IRET with GPS
45308	Sensit	IRET without GPS
45309	Sensit	Manual Calibration Kit
Call	Sensit	PMD 2 with GPS & Datalogging
Call	Sensit	PMD 2 without GPS or Datalogging
23099	Sensit	Standard Kit (No Case)
24394	Sensit	Compact Case Kit (Compact Carrying Case)
24393	Sensit	Deluxe Kit (Heavy Duty Carrying Case)
49624	Sensit	Manual Calibration Kit
49637	Sensit	Vehicle Vacuum System
36455	Sensit	Automotive Power Adapter
33924	Sensit	Hot Swap Vehicle Battery Assembly
47422	Sensit	Complete VMD System w/5' Survey Bar, Vehicle Mounting Kit, & Shield
49585	Sensit	VMD System w/5' Survey Bar & Vehicle Mounting Kit
49586	Sensit	VMD System w/5' Survey Bar
49587	Sensit	VMD Vehicle Mounting Kit
49483	Sensit	VMD Shield



SENSIT SMART-CAL 360

- 7" Touchscreen
- IR/NFC/Bluetooth Communications
- Automatic Upload of Records
- Calibration/Bump Memory Storage
- Gas Bottle Supply Monitoring
- Wireless Firmware Updates Pushed To Devices
- Only available through EGW in AR, LA, MS, OK, & TX



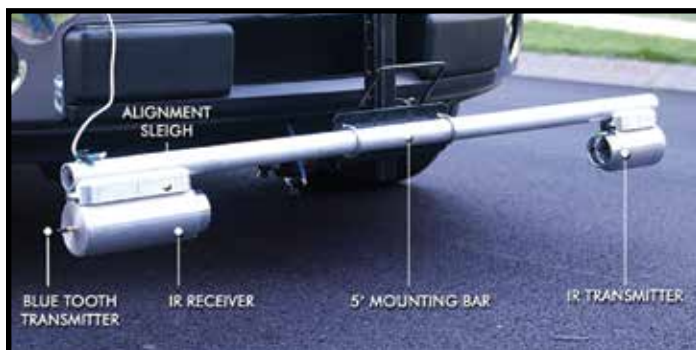
SENSIT IRED ETHANE DETECTOR

- Fast Sensing
- Ideal for Low Concentration Methane Readings
- Large Backlit Display
- Smart-Cal Compatible
- Simple to Operate
- Powerful Pump
- Datalogging & GPS Available
- Determine if Gas is Naturally Occurring or Pipeline Gas
- Only available through EGW in AR, LA, MS, OK, & TX



SENSIT PORTABLE METHANE DETECTOR 2

- Hazardous location approval
- Large illuminated display
- Powerful 1.0, 1.5, 2.0Lpm pump
- Methane selectivity
- Adjustable PPM, LEL, and %VOL alarms
- Barhole test
- Tick-style leak detection
- Datalogging with event capture
- Easy connection for auxiliary pumps for use in vehicle applications
- Rechargeable Li-ion battery pack
- Rubberized over-molded housings
- GPS, pump, battery, data-stream, audible alarms, flow-blocked, and Bluetooth status indicators
- Alarms, both audible and visual, for methane and system faults
- Laser TDLAS technology
- Only available through EGW in AR, LA, MS, OK, & TX



SENSIT VEHICLE METHANE DETECTOR

- Open Path Absorption Spectroscopy Technology
- Automatic Display Range
- Bluetooth Data Connection
- Methane Selective
- Simple User Interface
- Instantaneous Response Time
- Integrated GPS
- Only available through EGW in AR, LA, MS, OK, & TX



SENSIT P100 PERSONAL MONITOR

- One Button Operation
- Audible/Visual Alarm
- Alarm Event Memory
- Easy Field Calibration
- Extended Warranty Available
- Cal-Station Available
- Only available through EGW in AR, LA, MS, OK, & TX

SENSORS AVAILABLE FOR H2S, HCN, O2, CO, NO2, & SO2. CONTACT US FOR MODEL INFORMATION!

LEAK DETECTION-SURVEY EQUIPMENT

ITEM ID	MANUFACTURER	PRODUCT DESCRIPTION
Call	Sensit	P100 Personal Monitors - Multiple Options Available
47595	Sensit	Gas Trac LZ-30
49624	Sensit	Trak-It IIIa TC - LEL/%Vol
22345	Sensit	Trak-It IIIa TC - LEL/%Vol/CO
22482	Sensit	Trak-It IIIa TC - LEL/%Vol/O2
47789	Sensit	Trak-It IIIa TC - LEL/%Vol/CO/O2
17204	Sensit	Trak-It IIIa TC - LEL/%Vol/CO/O2/H2S
16170	Sensit	Carrying Pouch
16171	Sensit	Shoulder Strap for Carry Pouch
13375	Sensit	Filter Inlet
16166	Sensit	Sensor Cap w/"O" Rings (Single)
16167	Sensit	Luer Connector
13379	Sensit	32" Heavy Duty Fiberglass Bar Hole Probe w/Hose
16263	Sensit	Hose Assembly (60")
46492	Sensit	Telescopic Survey Probe
13270	Sensit	Leak Survey Drag Tube Assembly
13380	Sensit	Purge Probe (Brass)
13376	Sensit	Confined Space Probe (10')
46164	Sensit	External Large Filter Assembly



SENSIT GAS TRAC LZ-30

- Methane Selective
- 100 Foot Detection Range
- Continuous Detection
- Rechargeable Battery
- Adjustable Alarm Points
- Easy Maintenance
- Ergonomic Design
- Cal Cell Integrated In Carrying Case
- SMART-LINK LIVE application enables users to track and trace their data in real-time, including date, time, GPS coordinates, and gas measurements
- Only available through EGW in AR, LA, MS, OK, & TX



SENSIT TRAK-IT IIIA CGI

- Intrinsically Safe Design (Certified)
- 2-Speed Internal Pump
- Identifies Natural Gas vs Propane Gas
- Lowest Cost, Long Life Sensors
- LED Warning Lights
- Large Bright Graphic Display
- Loud Audible Alarm
- Optional 1600 Event Auto Log
- Exceptional Water Protection
- Long Battery Life
- Cost Effective As An Area Monitor
- Infrared Downloading
- Built-in Natural Gas and Propane Gas Calibration
- Stainless Steel Housing
- Only available through EGW in AR, LA, MS, OK, & TX

LEAK DETECTION-SURVEY EQUIPMENT

ITEM ID	MANUFACTURER	PRODUCT DESCRIPTION
10636	MBW	Vapor Extraction Unit
13131	MBW	Trailer Kit
13133	MBW	Skid Mount
10166	MBW	Probe Kit - Probes (6), 5' Hoses (5), 25' Hose (1)
49619	MBW	Sensor Calibration Kit
49620	MBW	Man Hole Kit - 20' of 3" Hose in 4' Sections
24698	MBW	Parts Kit - Maintenance Parts for VEU
10164	MBW	5' Hose
12366	MBW	25' Hose
49574	MBW	Hornet Utility Drill - 24"/22" Bit Length
24030	MBW	Hornet Utility Drill - 30"/27" Bit Length
23007	MBW	Hornet Utility Drill - 36"/40" Bit Length
23008	MBW	7/8" x 3-1/4" x 36" OAL Drill Bit
24032	MBW	7/8" x 3-1/4" x 27" OAL Drill Bit
24728	MBW	1" x 4-1/4" x 27" OAL Drill Bit



MBW VAPOR EXTRACTION UNIT

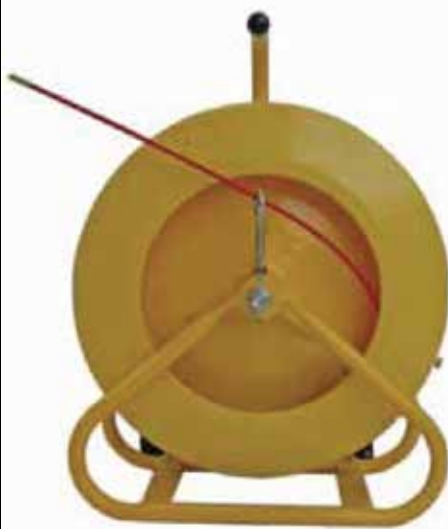
- Removes gas quickly & safely
- Continuously monitors gas concentration
- Pinpoint leaks
- Reduce dry holes
- Increases efficiency
- Avoid expensive downtime
- Single unit or custom trailer options
- Only available through EGW in AR, KS, LA, NM, OK, & TX

**VEU Trailers
customized to
YOUR
specifications!**

MBW HORNET BAR HOLE DRILL

- Air cylinder absorbs hammer vibration
- Pistol Grips
- Travel Hitch Mount
- Light weight and high/low pick points for easy lifting
- Stable base
- Only available through EGW in AR, KS, LA, NM, OK, & TX

**OTHER DRILL BIT SIZES AVAILABLE,
CONTACT US FOR MORE INFORMATION!**



JAMESON SERVICE LINE TRACER

- Stuffing box attaches to any riser
- No blow-by while feeding rod into live line up to 125 PSI
- Small bullet tip guides rod from riser to service transition
- Use with transmitter & receiver to trace gas line from above ground
- Available with 1/8" rod to get past 90° elbow
- Dimensions: 22" X 17" X 7"

DAMAGE PREVENTION EQUIPMENT

ITEM ID	MANUFACTURER	PRODUCT DESCRIPTION
31472	Jameson	Service Line Tracer, 300'
45095	Jameson	Gas Service Line Tracer Kit 1/8 X 300 w/Flex Tip
34031	Jameson	Gas Service Line Tracer Kit 3/16 X 300 w/Tapered Bullet Tip
24532	Jameson	Service Line Gas Tracer Bullet Repair Kit
24128	Jameson	Stuffing Box for Service Line Tracer
45078	Jameson	Flex Tip Repair Kit for 1/8 Gas Service Tracer
45096	Jameson	O-Rings For 1/8 Gas Service Line Tracer
22639	Jameson	O-Rings For 3/16 Gas Service Line Tracer
24235	Jameson	Cap Screws for Service Tracers 3 Pk
22640	Jameson	Lubricated Wipes for Gas Tracer
38101	Jameson	Lubricated Wipes For Gas Tracers (Case of 12 Canisters)
22578	Jameson	Main Tracer Bullet Repair Kit
49639	Jameson	Live Tracer for Gas Main 1/4" X 600 w/Rod Marked in 5' increments
29800	Jameson	Live Tracer for Gas Main 1/4" X 600'
29801	Jameson	Tap Tee 2 EF Insertion ML
32741	Jameson	Tap Tee 4 EF Insertion for Tracer ML
32799	Jameson	Tap Tee 6 EF Insertion for Tracer ML
44091	Jameson	Directional Entry Tool With Case



Service Line Tracer Bullet Tip



Service Line Tracer Flexible Tip



Service Line Tracer Lubricating Wipes

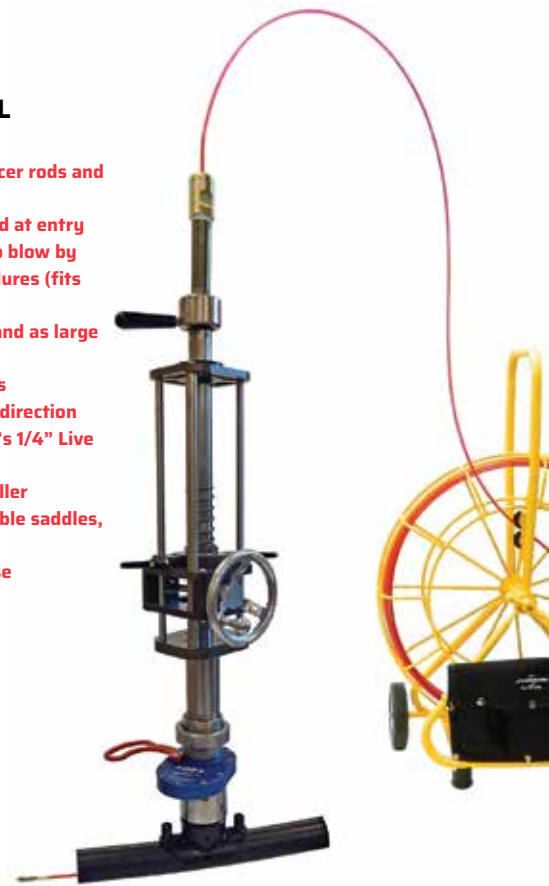


MAIN LINE TRACER KIT

- No blow-by while feeding rod into live main up to 125 PSI
- Trace main from above ground with transmitter & receiver
- Less disruption to roads and landscapes
- Minimal pavement breakage, excavation and restoration
- Works with electrofusion or mechanical tees
- Now available with rod marked in 5' increments

JAMESON DIRECTIONAL ENTRY TOOL

- Enables vertical insertion of tracer rods and cameras
- Facilitates the difficult first bend at entry
- Works on live gas mains with no blow by
- Compatible with keyhole procedures (fits 24" minimum keyhole)
- Works on mains as small as 2" and as large as 12"
- Attaches to plastic or steel pipes
- Rotates 360° to insert in either direction
- Optimized for use with Jameson's 1/4" Live Tracer For Gas Mains
- Fits camera heads 1-3/8" or smaller
- Works with commercially available saddles, valves, and tap tools
- Includes heavy duty storage case



DAMAGE PREVENTION EQUIPMENT

ITEM ID	MANUFACTURER	PRODUCT DESCRIPTION
47738	GFCP	SurTap Hot Tap Tool Kit for VersaTap
47739	GFCP	SurTap Hot Tap Launch Tube for Jameson
48519	GFCP	Cutter Set for SurTap Hot Tap Tool
48520	GFCP	Coupon Removal Tool for SurTap Hot Tap Tool
46579	GFCP	VersaTap 2" IPS PE3408/4710 Electrofusion Fitting
46580	GFCP	VersaTap 3" IPS PE3408/4710 Electrofusion Fitting
46581	GFCP	VersaTap 4" IPS PE3408/4710 Electrofusion Fitting
46582	GFCP	VersaTap 6" IPS PE3408/4710 Electrofusion Fitting
46583	GFCP	VersaTap 8" IPS PE3408/4710 Electrofusion Fitting
46602	GFCP	VersaTap Adapter - 2 MPT
44578	Hathorne	Key Hole Gas Camera System
44090	Hathorne	Stuffing Box for Gas Camera



GFCP SURTAP HOT-TAPPING SYSTEM

- Compact, light-weight, simple to use and built to last
- Includes quick connect features for connecting the valve and cutter to the tapping tool
- Utilizes a threaded drive to maintain downward pressure on the cutter during tapping
- Designed to assure complete tapping and simultaneously eliminate the possibility of tapping into the back side of the main
- Has a pressure brake system that controls the rate of shaft retraction (recoil) following pressurized tapping
- Plug removal/replacement tool and the tapered plug with positive stop make this process easy.

HATHORNE KEY HOLE CAMERA SYSTEM



- Large standard push reel
- 400' flexible insertion rod
- Fits seals of entry chamber (stuffing box)
- Unique designed rugged color camera head
- Navigates Keyhole saddle joints
- Adjustable drum brake
- Replaceable camera skid
- Machined aluminum panels
- 12.1" HDMI Daylight readable monitor
- Large battery pack
- USB and Hard Drive Recording
- Adjustable lighting
- 512Hz Sonde transmitter
- Full keyboard text writer
- 2" vertical to 2" horizontal insertion
- Works with Jameson keyhole insertion tools
- Minimum drilling 1.5" diameter
- 2" to 4" lines
- 60 psi working pressures



RUST-OLEUM PRECISION LINE MARKING PAINT

- Marks up to 250% more linear feet than other brands; precision tip—virtually no overspray
- Resists early fading and chalking
- Adheres to hot surfaces; can be sprayed in the cold (to 25°F)
- Dries in under 5 minutes

**All
AWPA Colors
Available,
both Water &
Solvent
Based**



• Marking Wand



• Marking Pistol



RUST-OLEUM SPRAYSMART PAINT POUCH

- Custom design allows for quick color changes
- Transparent package allows you to see color and how much paint is left
- Strategically designed to fully empty each paint pouch—no waste
- Empty pouch can be disposed of with regular trash
- Durable pouch material withstands tough handling
- Each pouch marks more than the leading competitor
- Non-clogging paint tip
- 10 empty SpraySmart® pouches take up the same amount of space as one 20 oz. spray can



RUST-OLEUM SPRAYSMART DEVICE

- Reusable device that operates on propellant-free, compression technology to spray paint
- Designed to be used with existing marking wands
- Sprays in any direction, any substrate and in any weather condition
- User-friendly control panel
- Ready to use in less than 40 seconds
- Smart Electronics self monitors and maintains spray pressure
- Lithium ion battery sprays up to 48 paint pouches when fully charged
- Heavy duty design withstands everyday wear and tear
- Lightweight design—Device and pouch weigh the same as a full 20 oz. spray can



NON-DETECTABLE MARKING TAPE

- Provides for easy below ground identification, protection, and warning of associated utility lines
- Consists of a 4 mil overall thickness and is formulated to resist degradation
- Serves as a durable, high-visible warning device that resist the elements



DETECTABLE MARKING TAPE

- Provide for easy buried pipeline detection and identification of utility infrastructure
- Can protect against costly damage to underground pipeline
- 5 mils thick, which consist of aluminum foil encased between two layers of polyethylene plastic
- Foil is to be visible from both sides of the tape and no inks or print can extend to the edges of the tape
- All ink is laminated to protect the printed warning message

DAMAGE PREVENTION EQUIPMENT

ITEM ID	MANUFACTURER	PRODUCT DESCRIPTION
10373	Rust-Oleum	High Visibility Yellow Marking Paint 17 oz Solvent Based
10377	Rust-Oleum	High Visibility Yellow Marking Paint 16 oz Water Based
10380	Rust-Oleum	White Marking Paint 17oz Water Based
10680	Rust-Oleum	Pink Marking Paint 17oz Water Based
10391	Rust-Oleum	Marking Pistol
45101	Rust-Oleum	Marking Wand
45100	Rust-Oleum	Spraysmart Paint Pouch
45099	Rust-Oleum	Spraysmart Device
12685	White Rhino	3" Yellow Non-Detectable Tape
12531	White Rhino	2" Yellow Detectable Tape
12685	White Rhino	3" Yellow Detectable Tape
13060	White Rhino	6" Yellow Detectable Tape

DAMAGE PREVENTION EQUIPMENT

ITEM ID	MANUFACTURER	PRODUCT DESCRIPTION
36145	Rhino Marking	TriView Post - Yellow
49867	Rhino Marking	TriView XL - Yellow
49868	Rhino Marking	TriView Plus - Yellow
49869s	Rhino Marking	TriView Extension
49870	Rhino Marking	TriView VentGuard
40994	Rhino Marking	TriView Soil Anchor Driver
45366	Rhino Marking	RhinoDome - Yellow
49871	Rhino Marking	RhinoDome Wrap
45355	Rhino Marking	Hybrid 3-Rail Post- Yellow
49873	Rhino Marking	Fiberglass 2-Rail Post - Yellow
49883	Rhino Marking	Fiberglass 3-Rail Post - Yellow
49874	Rhino Marking	Fiberglass 4-Rail Post - Yellow
49875	Rhino Marking	Flat Post Driver
49876	Rhino Marking	Hybrid Driver
44571	Rhino Marking	Pilot Hole Driver
49877	Rhino Marking	FiberCurve Post - Yellow
49878	Rhino Marking	TriView Sign - Yellow
49879	Rhino Marking	400 Series SoilMarker - Yellow
49880	Rhino Marking	700 Series SoilMarker - Yellow
41988	Flagshooter	Flag Insertion Tool
49866	Flagshooter	Flag Insertion Tool without Paint Can Unit
42665	Flagshooter	Flagshooter Marking Flags
42665	White Rhino	Yellow 33" Standard Marking Flags
42667	White Rhino	Yellow 23" Standard Marking Flags
45515	White Rhino	White 23" Standard Marking Flags



RHINO TRIVIEW POST



RHINO HYBRID 3-RAIL



RHINO TRIVIEW SIGN



RHINO RHINODOME



RHINO 400 SERIES SOILMARKER



RHINO 700 SERIES SOILMARKER

MARKERS CUSTOMIZED TO YOUR SPECIFICATIONS



FLAGSHOOTER & FLAGSHOOTER CANLESS

- Single arm ease of use
- No training required
- Safer
- Increased efficiency
- Reduced labor cost
- Rugged design



FLAGSHOOTER & STANDARD MARKING FLAGS

- 9 Different Colors
- Custom Printed Graphics
- Durable Materials



■ COPPER CLAD TRACER WIRE



■ KING INNOVATION DIRECT BURY W/STRAIN RELIEF

- UL 486D Listed and 600V rated
- Pre-filled with dielectric silicone sealant that never hardens
- Waterproof and corrosion proof
- Easy latch lid provides strain relief
- One piece for easy installation
- Silicone Sealant Temperature: -45°F to 400°F
- Designed for tracer splices and cathodic applications
- Wire Range: Min #22/Max #6



■ KING INNOVATION DIRECT BURY LUGS

- Waterproof and corrosion proof
- Pre-filled with dielectric silicone sealant that never hardens
- Install service line without cutting the main line
- Installs in one minute or less
- Manufacturer approved for direct bury
- Silicone Sealant Temperature Rating: -45°F to 400°F
- Designed for low voltage tracer splices and cathodic applications up to 50V
- Wire Range: #14-10 Solid Copper; #14-10 Steel Core Tracer Wire



■ KING INNOVATION DIRECT BURY LUGS PLUS

- Waterproof and corrosion proof
- Install service line without cutting the main line
- One piece for easy installation
- Designed for use with solid tracer and cathodic wires
- High impact housing with user friendly design to prevent cuts or handling discomfort
- Use with low voltage tracer and cathodic lines under 50 volts
- Pre-filled with silicone
- Approved for direct bury
- Wire range from #14-8 Solid AWG



■ KING INNOVATION INSULATION DISPLACEMENT CONNECTOR

- Waterproof and corrosion proof
- No need to strip conductor
- Install service line without cutting the main line
- One piece for easy installation
- Installs in one minute or less
- Designed for use with solid/stranded copper and steel core tracer wire with .030" and .045" thick insulation
- Wire range from #14-12 Solid/Stranded Copper and #14-12 Steel Core Tracer Wire/CCS
- Use with low voltage tracer lines under 50 volts
- Pre-filled with silicone
- Approved for direct bury



■ KING INNOVATION SPLIT BOLT HOUSING

- Designed for low voltage tracer splices and cathodic applications up to 50V
- Use for making tap or branch splices
- Pre-filled with a non-toxic SmartGel® that eliminates hazmat requirements
- Waterproof and corrosion proof
- Eliminates the need for heat shrinks, primers, tapes and epoxy packs
- One piece for fast, easy installation
- Installs in one minute or less
- For use in outdoor or direct-burial locations
- Wire Range: #14-10 Solid Copper; #14-10 Steel Core Tracer Wire

■ DAMAGE PREVENTION EQUIPMENT

ITEM ID	MANUFACTURER	PRODUCT DESCRIPTION
13287	White Rhino	Wire 10 AWG 500 RL PE30 Yellow CCS
22091	White Rhino	Wire 12 AWG 500 RL PE30 Yellow CCS
13295	White Rhino	Wire 14 AWG 500 RL PE30 Yellow CCS
13296	White Rhino	Wire 18 AWG 500 RL PE30 Yellow CCS
10200	King Innovation	Direct Bury Wire Connector - Yellow
10279	King Innovation	Direct Bury w/Strain Relief - Yellow
10322	King Innovation	Direct Bury Lugs - Yellow
49900	King Innovation	Direct Bury Lugs Plus - Yellow
49540	King Innovation	Insulation Displacement Connector - Yellow
23574	King Innovation	Split Bolt Housing - Yellow
15429	EGW	2-1/2" Shaft, 3-1/2" Lid Tracer Station - Yellow
49889	EGW	2-1/2" Shaft, 3-1/4" Lid Tracer Station - Yellow
49890	EGW	2-1/2" Shaft, 4" Lid Tracer Station - Yellow
49891	EGW	3" Shaft, 5-3/4" Lid Tracer Station - Yellow
49892	EGW	3" Shaft, 4-1/2" Lid Tracer Station - Yellow
49893	EGW	4" Shaft, 4-3/4" Lid Tracer Station - Yellow
23567	EGW	4" Shaft, 5" Lid Tracer Station - Yellow
49894	EGW	5-1/4" Shaft, 7-1/2" Lid Tracer Station - Yellow
49895	EGW	5" Shaft, 6" Lid Tracer Station - Yellow
49896	EGW	8-1/2" Shaft, 16" Length Roadway Tracer Station
49897	EGW	6" Shaft, 15-1/2" Length Roadway Tracer Station
49898	EGW	5" Shaft, 16-3/4" Length Roadway Tracer Station
49899	EGW	13" Shaft, 18-3/4" Length Roadway Tracer Station

DAMAGE PREVENTION EQUIPMENT

ITEM ID	MANUFACTURER	PRODUCT DESCRIPTION
42871	3M	EMS Near Surface Marker - Gas
15483	3M	EMS Ball Marker - Gas
42870	3M	EMS Full Range Marker - Gas
37450	3M	RFID EMS Near Surface Marker - Gas
29765	3M	RFID EMS Ball Marker - Gas
49622	3M	RFID EMS Full Range Marker - Gas
37028	3M	EMS Tape - Gas 7615
45564	3M	EMS Tape - Gas 7615XR
45094	3M	EMS Rope - Gas 7705-HTS
24011	Sensit	Ultra-Trac APL
24027	Sensit	Carrying Case
44111	Sensit	APL Tablet PC



3M FULL RANGE MARKER
• For depths up to 8 ft



3M NEAR SURFACE MARKER
• For depths up to 2 ft



3M BALL MARKER
• For depths up to 5 ft



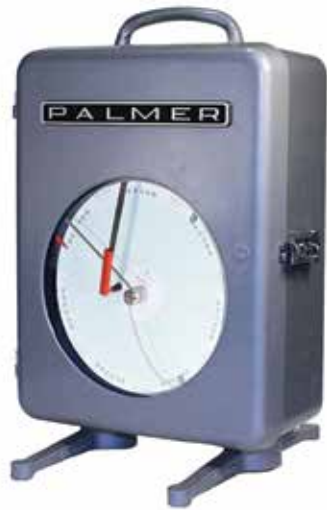
3M EMS PATH MARKING TAPE AND ROPE

- For depths up to 4 ft
- Can be installed near or above buried assets
- Easy to follow, creating a detectable path above ground
- For use in open trench and HDD
- They do not require batteries and there is no need to hook up an external transmitter or spend time searching for access points
- The markers work independently
- They come in 5 frequencies, creating a unique identification for each utility type



EGW TRACER STATIONS

- Available in diameters ranging from 2-1/2" through 12" with various lengths and extension ranges available
- Made with high impact, wear resistant ABS plastic with lightweight or heavy duty cast iron rims and lids
- Lightweight rims are for use behind the curb and heavy duty cast iron rims are for use in the roadway.
- Test points can be located on the lid at the surface or on terminal test boards located on the underside of the lid
- Test boards are tailored to individual customers' specifications and requirements
- Lids are available in locking and non-locking styles
- Standard markings include "TEST" and "CP TEST" with custom markings available upon request
- Custom wiring and accessories also available.



■ PALMER CHART BOX

- All internal components are corrosion resistant
- Each recorder may contain up to three (3) felt tip pens
- Micro adjustment feature simplifies calibration
- Palmer PC-11 multi-speed battery-operated chart drive is standard
- Electric (115 or 220V and 60 or 50 Hertz), or Spring Wound optional
- Case is made of heavy aluminum, die-cast and heat-treated
- Weathertight glass window (instrument glass, shatter-proof safety glass, or plexiglass) or solid front doors with no window.
- Pressure Recorders have 1/2" diameter air vent holes in case



■ PLCS PIPE WALL DAMAGE INDICATOR

- Simple for all field personnel
- Digital readout is accurate to 0.0008" or less
- Instant zeroing provides a direct readout of the surface damage
- Ensures PE meets safe pipe laying standards prior to burial
- Especially valuable in lengthy coil pipe installations
- Toggle readout from inches to metric
- Works on steel pipe and flat surfaces

■ INSTRUMENTS & GAUGES

ITEM ID	MANUFACTURER	PRODUCT DESCRIPTION
39399	Palmer Wahl	Chart Box
52876	Palmer Wahl	DHS125XEL Hand Held Infrared Thermometer
52837	Palmer Wahl	Articulated Surface Probe (Pyrometer for DHS115XEL)
111847	Graphic Controls	24 Hr Charts 2 lb
39401	Graphic Controls	Chart Recorder Pens 5-Pack
73259	EGW	Chart Box Hose, 10'
73256	EGW	Fittings
11492	Sperry Instruments	Infrared Thermometer IRT200
71-370002	PLCS	Pipe Wall Damage Indicator
17713	UEI	UTL33T Digital Multimeter
17952	Klein Tools	Non-Contact Voltage Tester Pen



■ SPERRY INSTRUMENTS IRT200

- Checks temperatures from -26 deg F to 716 deg F (-32 deg C to 380 deg C)
- Back-lit display simultaneously displays the present temp measurement along with the max temp reading while scanning an object's surface
- Auto power-off saves battery life and low-battery indicator helps eliminate inaccurate readings
- Extended Battery Life of 14-18 hours
- Displays the max temperature as you scan an object's surface



■ PALMER WAHL INFRARED THERMOMETER

- Display thermocouple measurements on screen
- Max / Min / Average / ΔT calculations
- Hi & Low alarms - screen changes color
- Ten points of memory



■ UEI UTL33T DIGITAL MULTIMETER

- AC Voltage 200V/600V
- DC Voltage 200mV/2V/20V/200V/600V
- DC current 200 μ A/2mA/20mA/200mA/10A
- Resistance 200 Ω /2k Ω /20k Ω /200k Ω /200M Ω
- Audible continuity
- Data hold
- Impact resistant boot with a tilt stand
- Compact pocket-design fits easily in tight spaces



■ KLEIN TOOLS VOLTAGE TESTER PEN

- Voltage Tester provides non-contact detection of voltage in cables, cords, circuit breakers, lighting fixtures, switches, non tamper-resistant outlets and wires
- Volt Pen with high intensity, bright green LED indicates the tester is powered on
- When voltage is detected, a high intensity, bright red LED illuminates and an audible tone will sound
- 50 to 1000 VAC power operating range allows broad application
- Auto power-off feature conserves and extends battery life
- CAT IV 1000V safety rating
- Lightweight compact design with a convenient clip to fit securely in your pocket
- 6.6-Foot (2 m) drop protection

INSTRUMENTS & GAUGES

ITEM ID	MANUFACTURER	PRODUCT DESCRIPTION
51745	Vaetrix	ETG Gauge 300 PSI, .25% Accuracy, Digital, w/Temp
51892	Vaetrix	ETG Gauge 1000 PSI, .1% Accuracy, Digital, Data Logging
51893	Vaetrix	ETG Gauge 3000 PSI, .1% Accuracy, Digital, Data Logging
54442	Vaetrix	ETG Test Gauge 300 PSI, Intrinsically Safe, .1% Accuracy, Data Logging, Ambient Temp
51149	Vaetrix	ETG Gauge 1000 PSI, .1% Accy, Digital, Data Logging, w/Bluetooth
51239	Vaetrix	ETG Gauge 300 PSI, .05% Accy, Digital, Data Logging, w/Bluetooth
52284	Vaetrix	ETG Calibration Gauge 1000 PSI, .05% Accuracy, Digital, Data Logging, w/Bluetooth and Ambient Temp
52299	Vaetrix	ETG Calibration Gauge 1000 PSI, .05% Accuracy, Digital, Data Logging, w/Bluetooth
54441	Vaetrix	ETG Process Gauge 300 PSI, Intrinsically Safe, .25% Accuracy, Data Logging, Ambient Temp
54443	Vaetrix	ETG Calibration Gauge 300 PSI, Intrinsically Safe, .05% Accuracy, Data Logging, Ambient Temp
111850	OCI Instruments	3034L200L 0-200 PSI Gauges
50175	OCI Instruments	C034L35/20 0-20 oz Gauges
19629	GAL Gage Co	Thorpe Thickness Gauge
18066	Denso	Wet Film Thickness Gauge
54408	PLCS	Bead Thickness Gauge



VAETRIX ETG DIGITAL PRESSURE GAUGE

- 0.05%, 0.1%, or 0.25% full scale accuracy over operating temperature
- Dual sensor technology to measure absolute and gauge pressure with one device
- High and low alarm settings with icon and red backlight indication
- Dedicated interface for leak test and min/max function
- Bluetooth option with Apps for Android and Apple (Free)
- Tri-color graphics display with selectable backlight color for optimum viewing
- Intrinsically Safe and Ambient Temperature Options
- Only available through EGW in AR, CO, IL, KS, KY, LA, MO, MS, NM, OK, TN, & TX



OCI INSTRUMENTS 3034L 200L GAUGE

- Liquid-filled industrial pressure gauge for use where vibration or pulsation would cause excessive wear to a dry gauge, or effect reading
- 304 stainless steel case and ring
- For neutral media such as air, water, oil, steam, and other liquids and gases compatible with brass and bronze
- 0-200 PSI
- Extruded brass socket
- 1/4" NPT bottom mount connection
- 2.5" Face



OCI INSTRUMENTS C034L 35/20 GAUGE

- Liquid-filled industrial pressure gauge for use where vibration or pulsation would cause excessive wear to a dry gauge, or effect readings
- 304 stainless steel case and ring for durability,
- Injection-molded acrylic lens
- 2.5" white ABS dial with black anodized pointer for fast, easy readings.
- For use with neutral media such as air, water, oil, steam, and other liquids and gases compatible with brass and bronze
- 0-3000 PSI
- Extruded brass socket
- 1/4" NPT bottom mount connection
- 2.5" Face



THORPE THICKNESS GAUGE

- Measures the thickness of pipe or plate 0" to 5/8"
- Easy to use, has only one moving part and registers accurately to within ±0.005"
- Scale is graduated in both fractional and decimal inches
- Reverse side of the Gage provides a table which lists weights per foot, wall thicknesses and schedule numbers of 67 different nominal sizes of pipe



PLCS BEAD THICKNESS GAUGE

- Gauge measurements based on ASTM F2620 Standard Practice for Heat Fusion Joining of Polyethylene Pipe and Fittings
- Simple for everyone.
- Fits in your pocket.
- 2"-12" PE pipe sizes.



DENSO WET FILM THICKNESS GAUGE

- 25-2000 Micron Scale
- 1-80 Mil Scale
- Size: 2-1/4" x 3-1/4" x .034"
- Accuracy plus or minus 0.2 Mils Average (Range 1-80 Mils) .



LIFT VIZ-PRO1 VEST

- 5 point breakaway velcro on shoulders, sides and front
- Available in M, L, XL, XXL, XXXL, XXXXL
- Polyester air mesh maximizes airflow
- 2" width reflective tape
- Provides ANSI/ISEA class 2 certification
- Left lapel pen/pocket combo
- Comes in Hi-Viz Yellow & Orange



LIFT VIZ-PRO2 VEST

- Polyester air mesh maximizes airflow
- Available in sizes M, L, XL, XXL, XXXL, XXXXL
- 2" width reflective tape
- Provides ANSI/ISEA class 2 certification
- Left lapel pen/pocket combo



LIFT HI-VIZ BOMBER JACKET

- Waterproof 100% polyester 300D oxford shell with sealed seams and PU coating
- Available in M, L, XL, XXL, XXXL, XXXXL
- Concealable, removable hood
- 2" width reflective tape
- 100% polyester anti-pillar polar fleece removable lining
- One chest pocket with flap
- Two zip closure slant pockets

PERSONAL PROTECTIVE EQUIPMENT

ITEM ID	MANUFACTURER	PRODUCT DESCRIPTION
18614	Honeywell	Ear plugs, Pack Qty. 200 PR/BX
111875	Black Stallion	Deluxe FR Full-Cover Coveralls M
111837	Black Stallion	Deluxe FR Full-Cover Coveralls L
111838	Black Stallion	Deluxe FR Full-Cover Coveralls XL
111839	Black Stallion	Deluxe FR Full-Cover Coveralls 2XL
111840	Black Stallion	Deluxe FR Full-Cover Coveralls 3XL
111836	Black Stallion	Nomex Hood
54939	Lift Safety	Quest Safety Glasses (Black/Smoke)
54940	Lift Safety	Quest Safety Glasses (Camo/Smoke)
54944	Lift Safety	Tear-Off Safety Glasses (Clear)
54945	Lift Safety	Tear-Off Safety Glasses (Smoke)
54937	Lift Safety	Banshee Safety Glasses (Black/Polarized)
54938	Lift Safety	Banshee Safety Glasses (Matte Black/Polarized)
54946	Lift Safety	Viz-Pro1 Vest - Yellow
54949	Lift Safety	Viz-Pro2 Vest - Yellow
Call	Lift Safety	Hi-Viz Bomber Jacket - Yellow



LIFT TEAR-OFF SAFETY GLASSES

- Super lightweight frame-less design
- Impact protection meets ANSI Z87.1
- Exceeds UV-A / UV-B / UV-C
- Packaged in a Polybag
- Available in clear and smoke

LIFT QUEST SAFETY GLASSES

- Small to medium fit & coverage
- Optically correct polycarbonate lenses meet ANSI Z87.1 impact ratings
- TR-90 frame construction with soft rubber temple and nose bridge
- Exceeds UV-A / UV-B / UV-C
- Available in black & camo

LIFT BANSHEE SAFETY GLASSES

- Medium to medium profile fit
- Polarized lenses
- Optically correct polycarbonate lenses meet ANSI Z87.1 impact ratings
- TR-90 frame construction with soft rubber temple and nose bridge
- Exceeds UV-A / UV-B / UV-C
- Available in black & matte black



BLACK STALLION SAFETY NOMEX HOOD

- 100% Nomex double-layered knitted hood provides extra protection around the face
- Full head and neck coverage with extra wide collar
- Shoulder length collar can be tucked into jacket
- Can be worn under a hard hat or welding helmet as protection against flame and electrical arcs
- Retains FR protection throughout the life of the product



BLACK STALLION FULL-COVER COVERALLS

- Elasticized waistband
- Full action back
- Two-way concealed brass zipper
- Two front, rear, chest and pass-through pockets for extra storage
- Tool pocket on leg

PERSONAL PROTECTIVE EQUIPMENT

ITEM ID	MANUFACTURER	PRODUCT DESCRIPTION
24247	Pelican	2010C Sabrelight Flashlight
Call	Pelican	3310 LED Flashlight
40376	Pelican	9415 LED Lantern
12373	Pelican	2610 Headsup Lite Headlamp
49016	Western Technology	BODYLight - Complete System (Lighthouse, Rechargeable Battery, Charger Base, Carrying Case, Mounting option)
49588	Western Technology	BODYLight - No Case Option
49589	Western Technology	BODYLight - Lighthouse only
49590	Western Technology	BODYLight - Clip Mount
49591	Western Technology	BODYLight - Hook Mount
49592	Western Technology	BODYLight - Magnet Mount
49593	Western Technology	BODYLight - Tripod Base
49594	Western Technology	BODYLight - Velcro Strap
42581	Western Technology	8100 Striker Flashlight
34604	Western Technology	Striker Flashlight Led Rechargeable Spotter
45878	Western Technology	Striker Drop Hook Mount
	Western Technology	The Sidekick



PELICAN SABRELITE 2010C

- As bright as a Xenon light with the battery life of an LED
- Super bright LED beam
- Twist on/off activation
- Unconditional Lifetime Guarantee of Excellence
- Waterproof
- Class I, Division 1
- Class II, Division 1
- Class III, Division 1
- IECEx ia



PELICAN 9415 LED LANTERN

- Handy push button on/off switch
- High/Low/Flashing Modes
- Super bright LED beam
- Safety Certified - Class I, Division I



PELICAN 3310 LED FLASHLIGHT

- Removable Lanyard
- 3 AA Batteries (Included)
- Compact and Lightweight
- High/Low/Flashing Modes
- NOW WITH NEW UPGRADED SPECS
- Ingress Protected IPX8 Submersible



PELICAN 2610 HEADSUP LITE HEADLAMP

- Light weight, comfortable and well-balanced
- Super bright LED beam
- Unconditional Lifetime Guarantee of Excellence
- Class I, Division 1
- IECEx ia



WESTERN TECHNOLOGY BODYLIGHT

- Class I Div 1 & 2, Group C & D
- Class II, Div 1 & 2, Groups E, F & G
- CSA Zones 1 & 2; Zones 20, 21 & 22
- Portable Luminaire (UL 153)
- Wet Location (NEMA TYPE 6-P)
- Low Voltage (LVLE)
- Only available through EGW in AR, CO, KS, LA, MO, MS, NM, OK, & TX



WESTERN TECHNOLOGY THE SIDEKICK

- Certified and approved for hazardous locations
- Approved for Class I, Div 1 & 2, Group C & D
- Approved for Class II, Div 1 & 2, Group E, F, & G
- Approved for CSA Zones 1 & 2; Zones 20, 21 & 22
- Suitable for Wet Location Use
- Portable Luminary Certified
- Low Voltage (LVLE)
- Only available through EGW in AR, CO, KS, LA, MO, MS, NM, OK, & TX



WESTERN TECHNOLOGY THE STRIKER

- Certified and approved for hazardous locations
- Approved for Class I, Div 1 & 2, Group C & D
- Approved for Class II, Div 1 & 2, Group E, F, & G
- Approved for CSA Zones 1 & 2; Zones 20, 21 & 22
- Suitable for Wet Location Use
- Portable Luminary Certified
- Only available through EGW in AR, CO, KS, LA, MO, MS, NM, OK, & TX



- WHITE RHINO ADJUSTABLE VALVE WRENCH**
- 1 1/2", 14 gauge square tubing
 - Adjustable in 6" increments
 - Pins are zinc-coated
 - Fits 2" square operating nuts
 - Comes with attachments to operate both hand wheels and 3/4" & 1" curb valves

HAND TOOLS

ITEM ID	MANUFACTURER	PRODUCT DESCRIPTION
18423	White Rhino	Adj Valve Wrench Combo 5'-9" Black
38010	Hisco	Drain Spade, Long Handle
38011	Hisco	Drain Spade, D-handle
38007	Hisco	Shovel, Round Point
38009	Hisco	Shovel, Square Point
47430	Hisco	Post Hole Digger
39984	Hisco	Sledge Hammer, Double- Faced, 10 LBS, 36" Handle Fiberglass
111919	Hisco	Hammer, Double Faced, 2 Lb. 14" Handle Fiberglass
37418	Hisco	Hammer, Double- Faced, 4 LBS, 14" Handle Fiberglass
81000	Hisco	Pick Mattock
77426	Hisco	Heavy Duty Push Broom, 24"
38015	Hisco	Pinch Point Heavy Duty Bar
54933	Hisco	Tamper Head Digging Bar
54936	Hisco	Slate Heavy Duty Bar
54935	Hisco	San Angelo Heavy Duty Bar
38012	Hisco	Probe 48 Fiberglass Steel Pointed Tip
49555	True Temper	Rock Bar
12874	Engineers Tool Corp.	M-Pact-O Probe Bar



HISCO LONG HANDLE DRAIN SPADE



HISCO D-HANDLE DRAIN SPADE



HISCO ROUND POINT SHOVEL



HISCO SQUARE POINT SHOVEL



HISCO POST HOLE DIGGER



HISCO SLEDGE HAMMER



HISCO DOUBLE-FACED HAMMERS



HISCO MATTOCK



HISCO PUSH BROOM



HISCO PRY BARS



HISCO PROBE



M-PACT-O PROBE BAR

HAND TOOLS

ITEM ID	MANUFACTURER	PRODUCT DESCRIPTION
Call	Milwaukee Tool	20" Tote
59746	Milwaukee Tool	Packout Rolling Toolbox
Call	Milwaukee Tool	Packout Cabinet



- MILWAUKEE TOOL 20" TOTE**
- All Metal Hardware
 - Padded shoulder strap
 - Durable Overmolded Handle
 - 32 Total Pockets
 - Metal Tape Clip
 - Tape strap
 - Reinforced side walls
 - 2 Zippered Pockets
 - Modular Connectivity with ALL PACKOUT Components
 - Limited Lifetime Warranty



- MILWAUKEE TOOL PACKOUT ROLLING TOOLOX**
- 250lbs Weight Capacity
 - Fully Collapsible Handle: 19.75"
 - 9" All-Terrain Wheels
 - Metal Reinforced Corners
 - Impact Resistant Body
 - IP65 Rated Protection
 - Metal Reinforced Locking Point
 - Heavy Duty Latches
 - Interior Organization Tray
 - Most Versatile, Durable Modular Storage System
 - Limited Lifetime Warranty



- MILWAUKEE TOOL PACKOUT CABINET**
- Secure Hang or Stack
 - Quick Access Door
 - Impact Resistant Body
 - 50lbs Weight Capacity
 - Latching Storage Door
 - Locking Point on Door
 - Fully Customize Your Shop
 - Includes (1) PACKOUT Cabinet
 - Limited Lifetime Warranty

EGW EQUIPMENT REPAIR & CALIBRATION

Accidents and equipment failure strike at the most inopportune times, so don't fall behind due to faulty gear! At EGW Utility Solutions, we provide calibration and repair services on most of the equipment that we sell (and even some that we don't!)

- Gas Detectors/CGIs
- EF Processors
- Ferrous Metal Detectors
- Hammer Drills
- Leak Detectors
- Measurement & Gauges
- Marker Ball Locators
- Piercing Tools
- Pipe Locators
- Squeeze Tools



Visit www.egwutilitysolutions.com/services for more information!

HAND TOOLS

ITEM ID	MANUFACTURER	PRODUCT DESCRIPTION
10239	VPC	Water Pit Pumps
48063	CSN	Black Widow Hand Held Grease Gun
10135	Dualco	11020 Hydraulic Grease Gun
Call	PLCS	Rapid Gas Extractor
14465	Reed	Chain Vise 1/8"-2-1/2"
14471	Reed	Adjustable Wrench, 12"
46847	Reed	Adjustable Wrench, 15"
50696	Reed	Standard Slip-Joint Pliers



VPC WATER PUMP

- Multi-purpose for several applications in and outside the home
- Constructed of impact and chemical-resistant PVC for no wear
- Each stroke pumps 32 ounces of fluid from the application site



DUALCO 11020 HYDRAULIC GREASE GUN

- Rated to 10,000 PSI
- Safety Latch & Tamper proof internal relief valve
- Detachable handle with 1oz. calibrations (measuring volume)
- Handle used as push rod to return barrel piston and to lock & unlock barrel cap
- Superior performance with viscous lubricants, sealants, packing & cleaners
- Easily serviceable and all replacement parts are readily available.
- Double Bypass Valve Stop & Sliding Stop Link
- Easily refilled with sticks or bulk
- Heavy duty metal construction
- Handle retaining Strap
- "Sure Grip" surfaces
- Corrosion resistant
- Easily Refilled



CSN BLACK WIDOW HANDHELD GREASE GUN

- 10,000 psi, 20 Volt, 4 amp battery operated hand gun
- LCD screen that displays battery life, grease capacity, ounces or grams dispensed and when the screen turns red, the barrel is empty
- Reset button turn on the flashlight and allows you to reset ounces or grams
- 1 and 2 Switch allows two flow rates



PLCS RAPID GAS EXTRACTOR

- Fast and simple ground gas extraction
- Lightweight
- No moving parts
- Inexpensive and compact



REED CHAIN VISE

- Chain vises permit the holding of irregular shapes
- Provide an excellent cost-for-capacity value
- Reed chain vises are the fastest to use; two turns to open or close
- Strongest available and hardened tool steel jaws are triple-faced for rotations instead of replacements



REED ADJUSTABLE WRENCH

- Triple-coated, nickel-chrome exterior finish on CW models is corrosion-resistant.
- Blackened finish on CWB models improves grip for work in slippery conditions.
- Design angle allows for close quarter work on hex nuts.
- Precision-ground jaw slides make for the smoothest action.
- Standard thumb adjustment for tightening the jaws.



REED SLIP-JOINT PLIERS

- Designed for one-hand operation
- Built-in stop prevents hand injuries
- Angle nose, slip-joint plier style
- Handles are always parallel
- Zinc plating inhibits corrosion

HAND TOOLS

ITEM ID	MANUFACTURER	PRODUCT DESCRIPTION
14903	Reed	Brass Hammer, 3LB
14465	Reed	Chain Vise 1/8"-2-1/2"
14471	Reed	Adjustable Wrench, 12"
46847	Reed	Adjustable Wrench, 15"
15156	Reed	Hack Saw, High Tension
15318	Reed	L2017 Socket Wrench 1 1/4 & 1 1/16
111835	Reed	Magnetic Grounding Spike w 7' Lead
20944	Reed	Manhole Hook
13311	Reed	Pipe Wrench, Aluminum, 14"
13312	Reed	Pipe Wrench, Aluminum, 18"
13313	Reed	Pipe Wrench, Aluminum, 24"
10016	Reed	Pipe Wrench, Heavy Duty, 24"
16532	Reed	Pipe Wrenultrah, Heavy Duty, 36"
30030	Reed	Pipe Wrench, Heavy Duty, 48"
16157	Reed	Pliers - 10" Adjustable Positive Grip
16158	Reed	Pliers - 12" Adjustable Positive Grip



REED BRASS HAMMERS

- Soft-faced brass hammer
- Shock absorbing
- Designed for the safe use of flare tools



REED HACKSAW

- Four permanent mounting pins permit both straight cutting and 45° angle for flush cutting
- Room to store spare blades in frame.
- Uses 12 inch blades



REED MAGNETIC GROUNDING SPIKE

- Quick connect magnet attachment for hassle-free grounding
- Compatible with many tools for polyethylene (PE) including ratchet shears
- Ground the work area to increase operator safety
- Heavy-duty cable with 7 foot working distance



REED MANHOLE HOOK

- Open drain covers and manhole covers with ease; choose from three different manhole hook lengths
- Handle to head hooks offered in same plane or 90-degree rotation, depending on operator preference
- Heavy-duty, made in USA manhole cover tool designed to handle stubborn loads
- Handle sized to fit small to large hands



REED L2017 SOCKET WRENCH

- Combines two popular socket sizes back to back into one tool
- Rugged construction of handle and ratchet mechanism
- Ergonomic grip on handle reduces hand fatigue for operator
- Open socket center, Thru-Bolt™ design fits on nuts on any threaded length



REED POSITIVE GRIP PLIERS

- Offset head design reaches into tight areas and allows for better leverage.
- Top and bottom jaw "v" shape permits pliers to grip a wide variety of shapes.
- Superior fastener surpasses traditional nut and bolt tightness issues.
- Pliers offer seven groove positions.



REED HEAVY-DUTY PIPE WRENCH

- Designed to withstand the heaviest demands
- Solid steel pin in the heel jaw strengthens Reed's heavy duty straight pipe wrenches
- Straight & offset available



REED ALUMINUM PIPE WRENCH

- Light and strong.
- Titanium-aluminum alloy handle of the Aluminum Pipe Wrench is heat-treated for maximum strength
- Straight & offset available



BONE SAFETY UTILITY SIGNS

- 36"X36"
- High-visibility and Non-reflective available



RAMFAN EF75xx BLOWER/EXHAUSTER

- High pressure axial blower
- Durable, PC/ABS anti-static casing is weatherproof, dent resistant, v0 flame retardant and chemical resistant
- 2 integrated duct adapters
- IP55 rain switch enclosure

EXCAVATION & CONSTRUCTION TOOLS

ITEM ID	MANUFACTURER	PRODUCT DESCRIPTION
16309	Bone Safety	Sign, Utility Work Ahead, 36x36, Vinyl, High Vis.
48887	Bone Safety	Sign, End Utility Work, 36x36, Vinyl, Non-Reflective.
Call	Bone Safety	Sign, End Utility Work, 36x36, Vinyl, High Vis
54975	Bone Safety	Sign, Right Land Closed w/ Left Overlay, 36x36, Vinyl, High Vis.
17188	Bone Safety	Sign Stands, Springless w/ Auto Latch
111723	Bone Safety	Traffic Cones, 28", Standard Base., 2 Reflective Stripes
15456	EGW	Manhole cover
14638	Euramco	Ramfan EF75xx 12" - w/15' Anti-Static Duct
24666	Euramco	Ramfan Manhole Accessory
45258	Euramco	UB20xx 8" - w/15' Anti-Static Duct
24666	Euramco	UB20xx 8" - w/25' Anti-Static Duct
14638	Euramco	EF75xx 12" - w/15' Anti-Static Duct
36141	Euramco	EF50xx 16" - For use 5K-10K cubic ft., Electric

Anti-Static Ducts with Storage Bag

32963	Euramco	- 12" diameter duct, 16' length
37275	Euramco	- 12" diameter duct, 32' length
36142	Euramco	- 16" diameter duct, 15' length
49577	Euramco	- 16" diameter duct, 25' length



RAMFAN MANHOLE ACCESSORY

- Anti-static system ventilates without blocking the entry
- Maintain airflow while working
- Permits rapid entry and exit



EGW MANHOLE COVER



RAMFAN GX-SERIES GAS TURBO VENTILATOR

- High Volume PPV for Large Structures
- 21"/54cm
- Full-width Folding Handle
- ONE-Step™ Tilt Adjustment
- PowerStream Ventilation
- Electronic Meter for Service Intervals
- Low Interior Noise

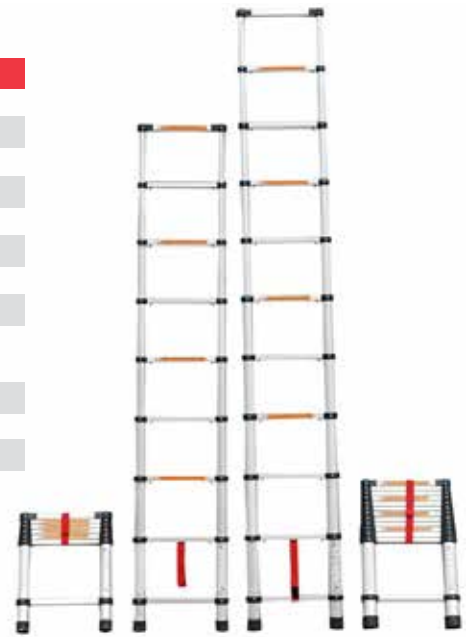
RAMFAN INTRINSICALLY SAFE BLOWER/EXHAUSTER

- ATEX Certified
- Compact & Lightweight
- Tough Dual Wall Casing
- Great for Excavations
- Chemical Resistant
- Ultra-Quiet
- Lightest Blower in its Class - 21lbs



EXCAVATION & CONSTRUCTION TOOLS

ITEM ID	MANUFACTURER	PRODUCT DESCRIPTION
25051	Telesteps	Extension Ladder, 12.5' (16' Reachable Height)
49626	Telesteps	Extension Ladder, 14.5' (18' Reachable Height)
38543	Honda	WSP100 Submersible Trash Pump
Call	PLCS	Venturi Water Pump
17666	Footage	Missile, 2", Big Shot Piercing Tool
17672	Footage	Missile, 2-1/2", Big Shot Piercing Tool
17674	Footage	Missile, 3", Big Shot Piercing Tool
17682	Footage	Missile, 4", Big Shot Piercing Tool
17711	Footage	Piercing Tool Accessory Kit (Air Hose, In-Line Oiler, Lubricant, Level, Pull Back Device)
Call	Chicago Pneumatic	Compressor
59736	Milwaukee Tool	MX FUEL Roll-On Power Supply 7200W/3600W
59733	Milwaukee Tool	MX FUEL Carry-On Power Supply 3600W/1800W



TELESTEPS EXTENSION LADDERS

- Lightweight & Portable
- Trouble-Free Transport
- Many Ladders in One
- Quality Product
- OSHA Certified to 300lbs
- 12 Month Warranty



HONDA WSP100 SUBMERSIBLE TRASH PUMP

- Side discharge
- 150 gal./min capacity
- Solids handling capability up to 2"
- Automatic non-mercury float switch
- Rated for continuous use



PLCS VENTURI WATER PUMP

- Extremely compact, low cost, lightweight pump
- Pumps slurry, mud, and small stones without clogging
- Allows every crew and supervisor to have a pump in the truck
- Venturi type pump with no moving parts
- Supplied with 20 ft. of lay-flat discharge hose
- Sufficient power to pump water 7.5 ft.



FOOTAGE BIG SHOT PIERCING TOOLS

- Available in 2", 2-1/2", 3" & 4" diameters
- Full line of accessories available
- Industry leading 2 year warranty
- Barrel bored from solid steel



CHICAGO PNEUMATIC PORTABLE AIR COMPRESSOR

- Portable, powerful and tough
- Polyethylene canopy makes compressors lightweight and easy to transport
- Extra tough polyethylene protects the working parts and ensures compressor looks and performs to its maximum
- Power up to two 90lb breakers easily



MILWAUKEE TOOL MX FUEL ROLL-ON 7200W/3600W POWER SUPPLY KIT

- 7200W of starting power and 3600W of running power
- 9.5" All-Terrain Wheels to withstand jobsite environments, such as gravel, dirt, and mud
- Pure Sine Inverter Protects Sensitive Electronics
- 3-year warranty



MILWAUKEE TOOL MX FUEL CARRY-ON 3600/1800W POWER SUPPLY KIT

- 3600 Peak Watts and 1800 Running Watts for High Draw Tools
- No Emissions and Durable Roll Cage
- Integrated Charger to Charge up to Two MX FUEL Batteries
- Pure Sine Inverter Protects Sensitive Electronics

STANDARD SPREADERS



ADJUSTABLE SPREADERS

STACKING KIT



LIFTING HARNESS

LEG KIT



EXCAVATION & CONSTRUCTION TOOLS

ITEM ID	MANUFACTURER	PRODUCT DESCRIPTION
16600	UltrasShore	Trench Shield - 24" x 60" x 2"
16601	UltrasShore	Trench Shield - 24" x 84" x 2"
16616	UltrasShore	Trench Shield - 48" x 60" x 2"
16617	UltrasShore	Trench Shield - 48" x 84" x 2"
16614	UltrasShore	Trench Shield - 48" x 120" x 2"
16615	UltrasShore	Trench Shield - 48" x 144" x 2"
16884	UltrasShore	Standard Spreader - 20", 3 LBS
16885	UltrasShore	Standard Spreader - 24", 3 LBS
16888	UltrasShore	Standard Spreader - 30", 4.5 LBS
16889	UltrasShore	Standard Spreader - 42", 6.5 LBS
16890	UltrasShore	Standard Spreader - 54", 8 LBS
13325	UltrasShore	Adjustable Spreader - 20"-26", 8 LBS
13326	UltrasShore	Adjustable Spreader - 30"-42", 12 LBS
13327	UltrasShore	Adjustable Spreader - 40"-54", 16 LBS
14710	UltrasShore	ShoreLock End Panel - 48" x 24"
14711	UltrasShore	ShoreLock End Panel - 48" x 36"
14712	UltrasShore	ShoreLock End Panel - 48" x 48"
14713	UltrasShore	ShoreLock End Panel - 48" x 60"
13280	UltrasShore	Lifting Harness
16862	UltrasShore	Telescopic Leg Kit
17143	UltrasShore	Stacking Kit
17381	UltrasShore	Trailer Mounting Kit for Shoring



ULTRASHOE TRENCH SHORING

- All panels can be used horizontally or vertically
- All panels are stackable
- Use as parallel shield panels or in "vee" or "wedge" configuration
- Close off one or both ends with quick release, spring-loaded end closure panels
- Easy to assemble and tear down
- One person can lower a single pair of assembled panels into an excavation
- Two people can lower a stacked assembly of two panels into an excavation
- Transport assembled or broken-down in the smallest pickup
- Bury depth to 12 ft., even in Class "C" soils
- NO CHANCE OF PUNCTURING

**Contact Us
for Details
on Available
Wheel Kits!**

EXCAVATION & CONSTRUCTION TOOLS

ITEM ID	MANUFACTURER	PRODUCT DESCRIPTION
49632	Chicago Pneumatic	WAP2 - 2" Hydraulic submersible water pump
49365	Chicago Pneumatic	WAP3 - 3" Hydraulic submersible water pump
10049	Chicago Pneumatic	CP1210 Pneumatic Breaker - 44 lbs, 21", 1,400 Blows/Min
10050	Chicago Pneumatic	CP1260 Pneumatic Breaker - 64 lbs, 21", 1,300 Blows/Min
24551	Chicago Pneumatic	CP1290 Pneumatic Breaker - 82 lbs, 29", 1,100 Blows/Min
11814	Chicago Pneumatic	CP0014 Hammer Drill - 14 LBS, 18.5", 2,520 Blows/Min
10004	Chicago Pneumatic	CP0022 Small Sinker Drill - 33 lbs, 19", 2,220 Blows/Min
24183	Chicago Pneumatic	CP0032 Medium Sinker Drill - 57 lbs, 22.5", 2,100 Blows/Min
21776	Chicago Pneumatic	CP0069 Heavy Sinker Drill - 60.5 lbs, 24", 1,920 Blows/Min



WAP 2

CHICAGO PNEUMATIC WATER PUMPS

- Impressive performance in relation to size and weight
- Easy handling - Delivered completely with 10 m discharge hose with snaptite coupler
- Cooled and lubricated by the hydraulic oil, they can be left to run dry without damage
- Rugged construction for continuous operation



WAP 3



CHICAGO PNEUMATIC CP1210

- Pneumatic Breaker
- 44 lbs
- 21"
- 1,400 Blows/Min



CHICAGO PNEUMATIC 1260 & 1290

- Pneumatic Breaker
- 64 lbs & 82 lbs
- 21" & 29"
- 1,300 Blows/Min & 1,100 Blows/Min



CHICAGO PNEUMATIC CP0014

- Hammer Drill
- 14 lbs
- 18.5"
- 2,520 Blows/Min



CHICAGO PNEUMATIC CP0022

- Small Sinker Drill
- 33 lbs
- 19"
- 2,220 Blows/Min



CHICAGO PNEUMATIC CP0032

- Medium Sinker Drill
- 57 lbs
- 22.5"
- 2,100 Blows/Min



CHICAGO PNEUMATIC CP0069

- Heavy Sinker Drill
- 57 lbs
- 24"
- 1,920 Blows/Min

EXCAVATION & CONSTRUCTION TOOLS

ITEM ID	MANUFACTURER	PRODUCT DESCRIPTION
16883	MBW	Soil Pick
29392	MBW	Ergo-Tamp
45055	MBW	R422 Rammer
49575	MBW	R442 Rammer
Call	EGW	Rubber Mini Excavator Tracks - Most Sizes & Manufacturers
111458	EGW	Rubber Track Mini Excavator 35G/35D
22591	Rhino Marking	Pipe Damage Indicator Tool (Hit Kit)

MBW SOIL PICK

- Non-conducting barrel
- Large deflector protects operator from debris
- Pressure gauges ensure maximum performance
- Variable polymer trigger reduces fatigue
- Ergonomic handle
- Non-sparking nozzle allows safe use around leaking gas lines



MBW ERGO-TAMP

- Reduces hand/arm vibration up to 70%
- Lower incidence of pavement failure
- Optional trigger guard
- Excellent for keyhole operation
- Waterproof

MBW R422 RAMMER

- Elevated bellows placement for trench applications
- Patented polyethylene slide bearings provide minimal internal wear
- 11" ductile cast iron tamping shoe
- 4" and 6" trench shoe options available



MBW R442 RAMMER

- Elevated bellows placement for trench applications
- Patented polyethylene slide bearings provide minimal internal wear
- 11" ductile cast iron tamping shoe



RUBBER TRACKS

- Specially formulated rubber compound is highly resistant to cutting and tearing
- Inside the rubber track core are "Dual Continuous Steel Belts": multi-strand cables wound in a tight spiral to create a wide steel belt
- Proven to be more reliable than traditional, overlapping steel cores



RHINO MARKING HIT KIT

- Helps record damage to buried utilities with a distance perspective that tells the whole story
- Provides the tools to photograph damages in a consistent, clear way which translates into reduced cost and litigation
- When damages are documented, one of the key objectives is to show how far the damage is from the marks, but often times it is not easy to determine from photographs alone; that's where the HIT Kit comes in
- 1 marker post with 2- 7/8" x 14" bold "MARK" legend
- 1 marker post with 2- 7/8" x 14" bold "DAMAGE" legend
- Ruler with documentation guidelines on the back
- 2 marker post bases
- 4 spikes
- Durable carrying bag



EXCAVATION & CONSTRUCTION TOOLS

ITEM ID	MANUFACTURER	PRODUCT DESCRIPTION
59759	Milwaukee Tool	M18 Rover Dual Power Triple Panel Flood & Area Light
59770	Milwaukee Tool	M18 Rocket Dual Pack Tower Light w/One-Key
59735	Milwaukee Tool	MX Fuel Rocket Tower Light
24106	Pelican	9440 Remote Area Light - Yellow
24107	Pelican	9440 Remote Area Light - Black
24108	Pelican	9470 Remote Area Light - Yellow
21109	Pelican	9470 Remote Area Light - Black
48208	Pelican	9455 Remote Area Light



MILWAUKEE TOOL M18 ROVER FLOOD & AREA LIGHT

- 4,500 Lumens of TRUEVIEW High-Definition Output
- Integrated Hook, Magnets, and Keyholes for Jobsite Mounting
- Powered by M18™ REDLITHIUM™ Batteries or a 120V AC Extension Cord
- Up to 30 Hours of Run-Time on a XC5.0 Battery
- 270° x 270° Middle Light Head Rotation

MILWAUKEE TOOL M18 TOWER LIGHT W/ONE-KEY

- IP67 Rated: Waterproof and Dust Proof
- Three Light Output Modes or Custom through the ONE-KEY App for Optimal Brightness and Run-Time
- Waterproof: Fully submersible up to a meter
- 7 second setup 5'5 extension
- 22" when collapsed
- ONE-KEY™ Integrated Tool Tracking & Security



MILWAUKEE TOOL MX FUEL ROCKET TOWER LIGHT

- Portable 10' light
- 27,000 lumens
- Easier transportation, superior ergonomics
- Reinforced base
- Integrated charger and battery storage
- Durable steel tube design



PELICAN 9440 REMOTE AREA LIGHT

- Convenient shoulder strap
- RoHS and CE Compliant
- Equipped with a lithium ion rechargeable battery
- Mast extends 7 feet (2.1 meters) high when deployed
- Up to 5300 lumens
- Up to 8 hours run tim



PELICAN 9460M REMOTE AREA LIGHT

- Dual telescoping LED light heads
- Multi-terrain trolley w/ 1.5" wheels
- Housed in a Pelican™ Protector Case™ housing
- Dual USB power adapter
- Silent operation
- Cool operating temperatures
- No exhaust
- Upright and lie flat pole brackets
- Full time battery level indication with low level flashing indicator
- RoHS and CE Compliant



PELICAN 9470 REMOTE AREA LIGHT

- Housed in a Pelican protector case
- Silent operation
- Cool operating temperatures
- No exhaust
- Four telescoping LED light heads
- Full time battery level indication with low level flashing indicator
- Bluetooth remote activation
- Dual USB power adapter
- RoHS and CE Complan





WESTERN TECHNOLOGY THE BRICKETTE EXPLOSION PROOF LED WORK LIGHT

- Approved for Class I, Div 1 & 2, Group C & D
- Approved for Class II, Div 1 & 2, Group E, F, & G
- Approved for CSA Zones 1 & 2; Zones 20, 21 & 22
- Suitable for Wet Location Use
- Portable Luminary Certified
- Only available through EGW in AR, CO, KS, LA, MD, MS, NM, OK, & TX



WESTERN TECHNOLOGY THE BRICK EXPLOSION PROOF LED WORK LIGHT

- Approved for Class I, Div 1 & 2, Group C & D
- Approved for Class II, Div 1 & 2, Group E, F, & G
- Approved for CSA Zones 1 & 2; Zones 20, 21 & 22
- Suitable for Wet Location Use
- Portable Luminary Certified
- Only available through EGW in AR, CO, KS, LA, MD, MS, NM, OK, & TX

EXCAVATION & CONSTRUCTION TOOLS

ITEM ID	MANUFACTURER	PRODUCT DESCRIPTION
41399	Western Technology	Brick Explosion Proof LED Work Light
42464	Western Technology	Brick Light LED Explosion Proof Kit
34214	Western Technology	Brick Magnetic Mount A-Frame
34215	Western Technology	Brick Magnetic Handle Puck
34505	Western Technology	Brick Magnetic Mount Knuckle
39263	Western Technology	Brick Mechanical Mount
36246	Western Technology	Brick 50' Cord
34502	Western Technology	Brick 100' Cord
34220	Western Technology	Brick 150' Cord
34588	Western Technology	Brick 200' Cord
34221	Western Technology	Brick Tripod
34503	Western Technology	Brick Quadpod
34504	Western Technology	Brick Adapter for Quad Pod
47637	Western Technology	Brickette Led Explosion Proof w/100' Cord
34587	Western Technology	Brickette Led Explosion Proof w/200' Cord
47638	Western Technology	Brickette Magnetic Handle
49611	Western Technology	Brickette Solid Handle
49612	Western Technology	Brickette Long Slotted Handle
49613	Western Technology	Brickette Short Slotted Handle
49614	Western Technology	Brickette Blast Shield
49615	Western Technology	Brickette Dome Diffuser



Tactical Light Stand



Tripod Stand



Magnetic Knuckle



Mechanical Knuckle



A-Frame Mount



Magnetic Puck Mount



Mechanical/Magnetic Knuckle

EMISSION REDUCTION EQUIPMENT

ITEM ID	MANUFACTURER	PRODUCT DESCRIPTION
52764	ZEVAC	Mini
Call	ZEVAC	Mini HP
Call	ZEVAC	Twin
Call	ZEVAC	Quad HP
Call	ZEVAC	Quad
52765	ZEVAC	Two High Pressure Hoses, 1in x 25ft, Drawdown and Inlet Trees, Fire Extinguisher, Misc Tools, Misc Fittings
59365	Wind-Lock	DuPont UtiliFoam Quick-Set Foam

ZEVAC BLOWDOWN RECOVERY SYSTEM

- Reduces job-site hazards
- Removes the risk of venting and flaring
- Puts an end to high noise and odor
- Prevents methane release (or venting)
- Prevents flammable cloud formation
- Eliminates greenhouse gases
- 100% of product remains in pipe
- Allows emission-less operations
- Scalable across all pipeline pressures
- 100% (air) powered and controlled
- ZERO electric components
- Low heat
- Automatic shut-down
- Low suction pressure
- High discharge pressure
- Pressure relief
- Simple operation with on/off control
- HAZOP completed
- Available in three sizes - Mini, Twin, and Quad



ZEVAC QUAD

- 58.5" X 41" X 72"
- 3,350 lbs
- Pressure Range: 0-1,500 psig



ZEVAC TWIN

- 58.5" X 41" X 46"
- 1,850 lbs
- Pressure Range: 0-600 psig

ZEVAC TWIN HP

- 58.5" X 41" X 46"
- 1,850 lbs
- Pressure Range: 0-1,500 psig



ZEVAC MINI

- 48" X 16" X 16"
- 185 lbs
- Pressure Range: 0-200 psig

ZEVAC MINI HP

- 48" X 16" X 16"
- 285 lbs
- Pressure Range: 0-1,500 psig

WIND-LOCK DUPONT UTILIFOAM QUICK-SET FOAM

- A versatile, utility-grade spray foam product designed to cost-effectively solve industry challenges
- 2-Component, portable spray foam that is used to fill and seal large angular spaces
- Kit comes complete with A&B cans, 9ft Shoulder Strap Gun Hose Assembly and 2 Cone Spray Nozzles



POWER TOOLS & ACCESSORIES

ITEM ID	MANUFACTURER	PRODUCT DESCRIPTION
56324	Milwaukee Tool	MX FUEL 14" Cut-off Saw Kit
Call	Milwaukee Tool	MX FUEL Handheld Core Drill Kit
59737	Milwaukee Tool	M18 FUEL 7-Tool Combo Kit
59738	Milwaukee Tool	M18 FUEL 5-Tool Combo Kit
59766	Milwaukee Tool	M18 FUEL Combo - Hammer Drill and Impact



**MILWAUKEE TOOL
MX FUEL 14" CUT-OFF SAW**

- 14" gas performance, No gas headaches
- 14 ft in concrete & 120 cuts in #5 rebar per charge
- RAPIDSTOP Blade Brake & Kickback Control
- No engine maintenance
- Fully compatible with the MX FUEL Equipment system.
- 2-year tool warranty



**MILWAUKEE TOOL MX FUEL
HANDHELD CORE DRILL KIT**

- Pressure Gauge
- Optimize performance for different applications
- AUTOSTOP kickback control prevents severe kickback
- ONE-KEY technology allows for tracking, tool security, and inventory management
- Water line and quick connect end for wet applications
- On-Board Work Lights
- LED leveling system helps users maintain accuracy through the application



**MILWAUKEE TOOL M18 FUEL
7-TOOL COMBO KIT**

- M18 FUEL 1/2" Hammer
- Drill/Driver (Tool Only)
- M18 FUEL 1/4" Hex Impact Driver (Tool Only)
- M18 FUEL SAWZALL Recip Saw (Tool Only)
- M18 FUEL 6-1/2" Circular Saw (Tool Only)
- M18 FUEL 4-1/2" / 5" Braking Grinder Paddle Switch, No-Lock (Tool Only)
- M18 FUEL 1/2" Mid-Torque Impact Wrench w/ Friction Ring (Tool Only)
- M18™ Work Light
- (2) M18 REDLITHIUM™ XC5.0 Batteries
- M18 & M12™ Multi-Voltage Charger
- (2) Contractor Bags



**MILWAUKEE TOOL M18 FUEL
5-TOOL COMBO KIT**

- M18 Work Light
- M18 FUEL 6-1/2" Circular Saw
- M18 FUEL 1/2" Hammer Drill/Driver
- M18 FUEL 1/4" Hex Impact Driver
- M18 FUEL SAWZALL Recip Saw
- (2) M18 REDLITHIUM XC5.0 Batteries
- M18 & M12 Multi-Voltage Charger
- Contractor Bag, Side Handle, (2) Belt Clips
- Circular Saw Blade, Blade Wrench



**MILWAUKEE TOOL M18 FUEL
COMBO: HAMMER DRILL & IMPACT**

- M18 FUEL 1/2" Hammer Drill/Driver
- M18 FUEL 1/4" Hex Impact Driver
- (2) M18 REDLITHIUM XC5.0 Batteries
- M18 & M12 Multi-Voltage Charger
- (2) Belt Clips, Side Handle
- Carrying Case

POWER TOOLS & ACCESSORIES

ITEM ID	MANUFACTURER	PRODUCT DESCRIPTION
59741	Milwaukee Tool	M18 FUEL Large Angle Grinder
59744	Milwaukee Tool	M18 FUEL Power Head w/Quik-Lok
59777	Milwaukee Tool	Power Head w/Quik-Lok Bristle Brush Attachment
Call	Milwaukee Tool	Power Head w/Quik-Lok Rubber Broom Attachment
59740	Milwaukee Tool	M18 FUEL 2-Tool Combo Kit w/One-Key
59742	Milwaukee Tool	M18 FUEL Pipe Threader Kit w/One-Key
59743	Milwaukee Tool	M18 FUEL Pipe Threading Die Head Kit
59745	Milwaukee Tool	M18 FUEL M12 Pipe Shear Kit



MILWAUKEE TOOL M18 FUEL LARGE ANGLE GRINDER

- Delivers the power of 15 Amp corded large angle grinder
- Fully compatible with the M18 system, featuring over 200+ tools
- Tool free accessory changes and guard adjustments
- Dual action trigger: eliminating accidental trigger actuation
- Metal housing and gearing system providing legendary durability

MILWAUKEE TOOL M18 FUEL POWER HEAD W/QUIK-LOK

- VPOWERSTATE Brushless Motor delivers more power than 31cc gas powerheads
- 3-speed settings and variable speed trigger for increased control
- Advanced air cooling system to sustain demanding applications for longer



MILWAUKEE TOOL M18 FUEL 2-TOOL COMBO KIT W/ONE-KEY

- M18 FUEL 1/2" Hammer Drill/Driver w/ ONE-KEY
- M18 FUEL 1/4" Hex Impact Driver w/ONE-KEY
- (2) M18 REDLITHIUM XC5.0 Batteries
- M18 & M12 Multi-Voltage Charger
- Side Handle
- Carrying Case



MILWAUKEE TOOL M18 FUEL PIPE THREADER KIT W/ONE-KEY

- AUTOSTOP kickback control
 - Threads faster than corded
 - Over 25, 2 in. pipe threads per charge
- Includes:
- Tool
 - (2) M18 Hd12.0 Batteries
 - Charger
 - Threading Support Arm
 - Case



MILWAUKEE TOOL PIPE THREADING DIE HEAD KIT

- Compatible with 2874-20 M18 FUEL Pipe Threader
- Up to 50% Lighter Weight for maximum productivity and ease of transport
- Up to 25% larger windows for increased visibility with less nesting
- Ability to create NPT threads for secure fitting connections
- Smooth Face Cap for comfortable hand placement
- Modular Connectivity with ALL PACKOUT Components



MILWAUKEE TOOL M12 PIPE SHEAR KIT

- Slices through 2" schedule 80 PVC in just 3 seconds
- Ultra Sharp Pierce-Point delivers burr-free cuts
- Stainless Steel Blade and Aluminum Jaw: Impact, water and rust resistant
- Switch Type: Two-Action
- Variable Speed with Reverse
- Produces more than 200 cuts in a single charge
- 5 Year Tool Warranty





CORE VALUES

WE WILL:

- DO THE RIGHT THING
- PUT CUSTOMERS FIRST
- CARE FOR TEAMMATES
- WORK HARD
- CONSTANTLY IMPROVE
- HAVE FUN

CORE PURPOSE

SOLVING PROBLEMS | MAKING CONNECTIONS | SERVING OTHERS



1406 Hutton Drive, Carrollton, TX 75006 • 972.446.1655

www.egwutilitysolutions.com